



# Parts Catalog

CLICK HERE TO **DOWNLOAD** THE COMPLETE MANUAL

- Thank you very much for reading the preview of the manual.
- You can download the complete manual from: [www.heydownloads.com](http://www.heydownloads.com) by clicking the link below



- Please note: If there is no response to CLICKING the link, please download this PDF first and then click on it.

CLICK HERE TO **DOWNLOAD** THE COMPLETE MANUAL

## **WARNINGS**

- Do not operate drilling controls unless you are thoroughly familiar with functions.
- Always wear noise reducing ear protectors when near jumbo while drilling.
- Wear safety glasses while drilling.

## **CAUTIONS**

- Do not operate the HPR1 Hydraulic Drills until accumulators have been charged.

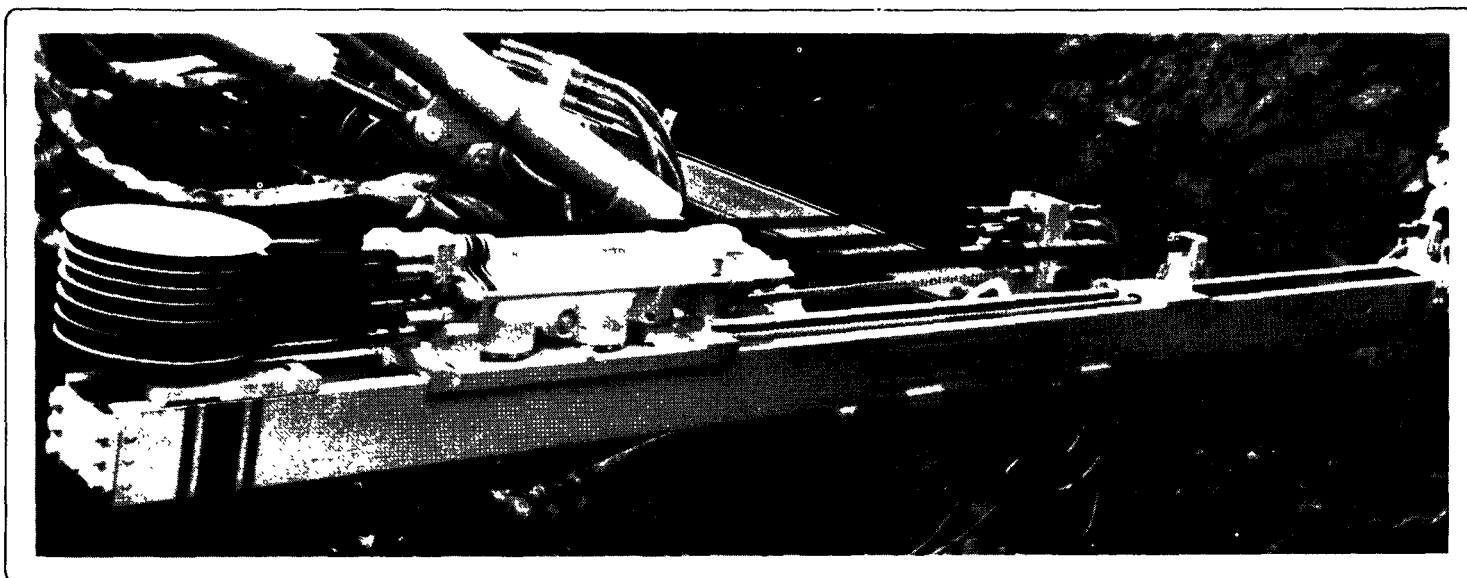
Because of Federal Safety regulations the accumulators on the drill cannot be charged at the factory. This procedure will have to be done before the initial start-up at the mine site. Both the high and low pressures of the accumulators on the drills must be checked before the initial first round is drilled and periodically thereafter. The high pressure accumulator is always the one furthest forward on the drill.

- Periodically inspect all bolts, nuts, and chains for wear and looseness.
- Do not continue drilling when any gauge indicates a malfunction.
- Keep the drill lubricated. Apply grease daily to the grease fitting located at the chuck end of the drill.

# INDEX

Warnings .....	Inside Front Cover
Cautions .....	Inside Front Cover
General Information .....	1
HFM Parts List .....	2-5
Cylinder .....	6
Centralizer .....	7
Auxiliary Centralizer .....	7
Mounting Slide .....	8
Hose Reel Assembly .....	8
Ordering Information .....	Inside Back Cover

## HFM HYDRAULIC FEED



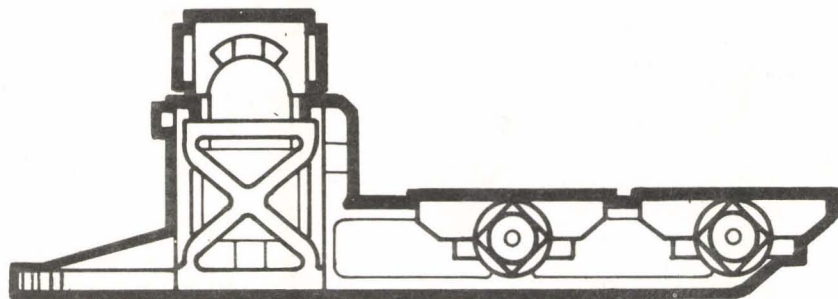
## GENERAL INFORMATION

The Gardner-Denver HFM Hydraulic Feed is a companion to the HPR-1 Hydraulic Drill. The basic Mast is a rigid box-like construction designed for maximum strength with a minimum of feed deflection.

A special feature of the HFM Feed is that the Traveling Centralizer and Hose Reel are attached directly to the hydraulic cylinder inside the Mast. As the Drill moves forward and back, the Hose Reel and Traveling Centralizer also move forward and back along with the Drill, and at half the speed.

The Hose Reel and Manifold are designed to provide positive alignment and the proper tensioning of the hoses.

# PARTS LIST



---

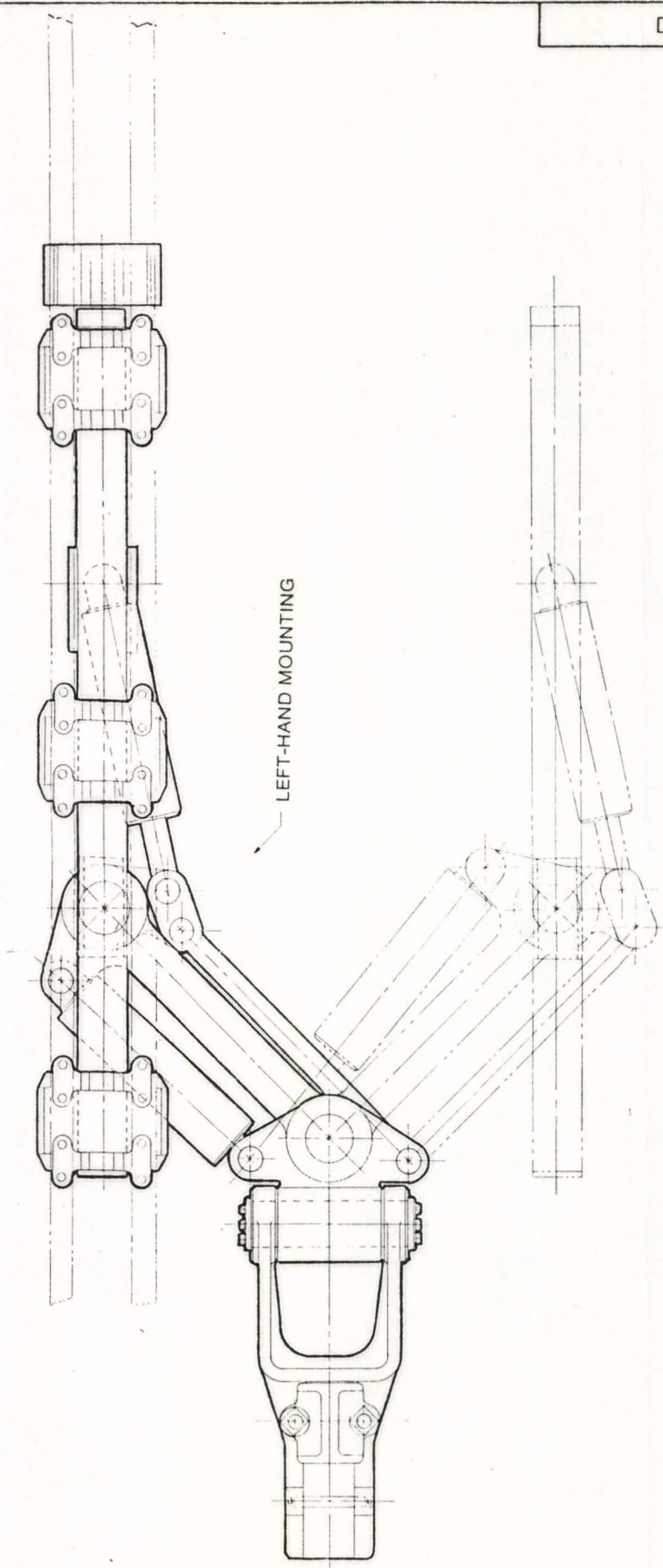
**DMCRP** MOVABLE  
BRACKET

---

**PNEUMATIC CENTRALIZERS**



GARDNER-DENVER COMPANY  
DENVER, COLORADO



LEFT-HAND MOUNTING



GARDNER-DENVER CO

TITLE

DPPC DRILL POSITION

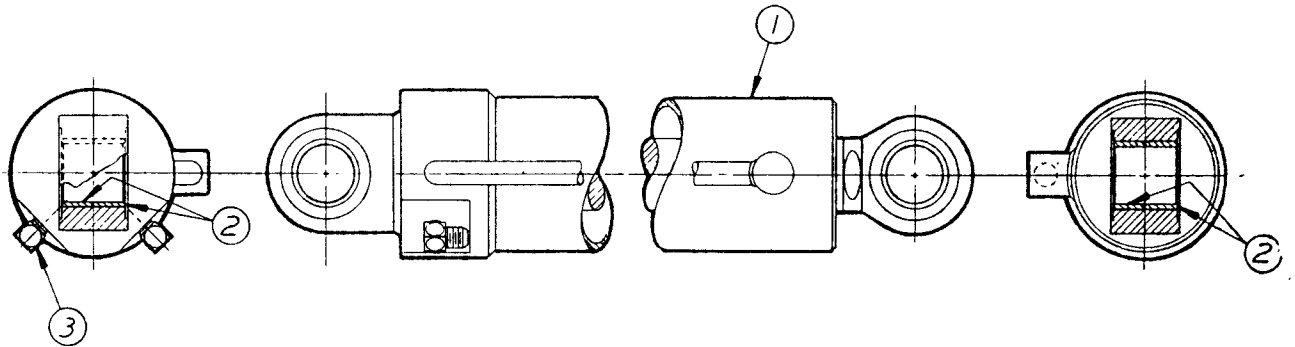
SHEET

2 of 2

PUBLICATION NO.

DPPC50X1B

2-2



<u>ITEM</u>	<u>QTY.</u>	<u>PART NO.</u>	<u>DESCRIPTION</u>
1	1	1051195	Hydraulic cylinder
2	4	1JTPT223B	Bushing
3	2	1049316	Male elbow



GARDNER-DENVER CO

2-7

TITLE

HYDRAULIC CYLINDER ASSEMBLY

SHEET

1 of 1

PUBLICATION NO.

1DPPC323

<u>ITEM</u>	<u>QTY.</u>	<u>PART NO.</u>	<u>DESCRIPTION</u>
1	1	1050850	Locknut
2	2	1051222	Backing Plate
3	2	1051223	U Cup Assembly
4	2	1046192	O Ring
5	1	1051228	Piston
6	1	1051229	Spacer
7	1	1051240	Barrel Assembly
8	1	1051241	Piston Rod Assembly
9	1	1051242	Cylinder Head
10	4	1050854	Spring
11	1	1051243	O Ring
12	1	1051244	Backup Ring
13	1	1050885	Male Adapter
14	1	1050886	Packing Set
15	1	1050887	Female Adapter
16	1	1051245	O Ring
17	1	1051246	Retainer Ring
18	1	1050879	Rod Wiper
	1	1051591	Repair Kit



GARDNER-DENVER CO

TITLE

HYDRAULIC CYLINDER - POSITIONER

SHEET

1 of 1

PUBLICATION NO.

1051227

2-12

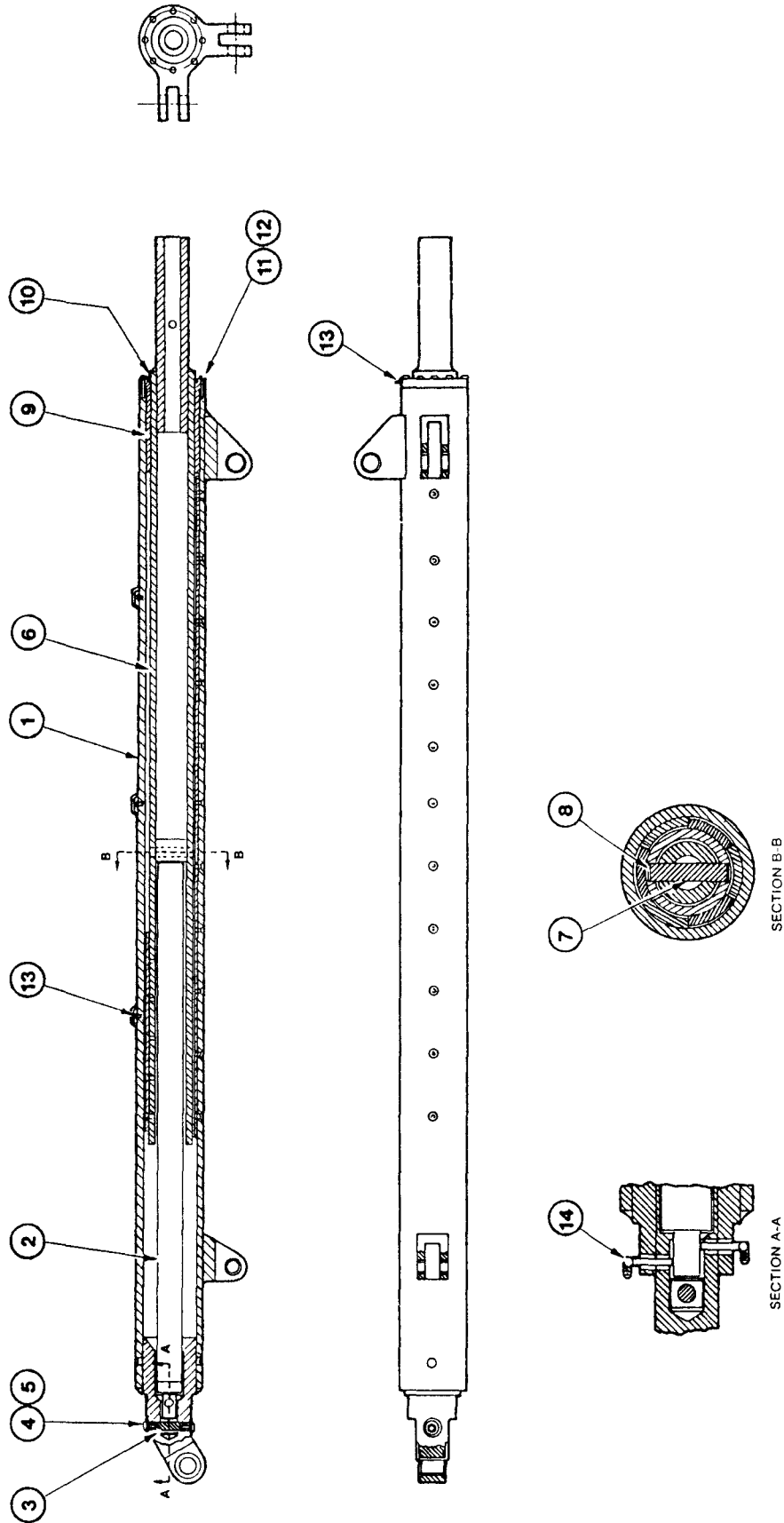
CLICK HERE TO **DOWNLOAD** THE COMPLETE MANUAL

- Thank you very much for reading the preview of the manual.
- You can download the complete manual from: [www.heydownloads.com](http://www.heydownloads.com) by clicking the link below



- Please note: If there is no response to CLICKING the link, please download this PDF first and then click on it.

CLICK HERE TO **DOWNLOAD** THE COMPLETE MANUAL



GARDNER-DENVER CO

TITLE

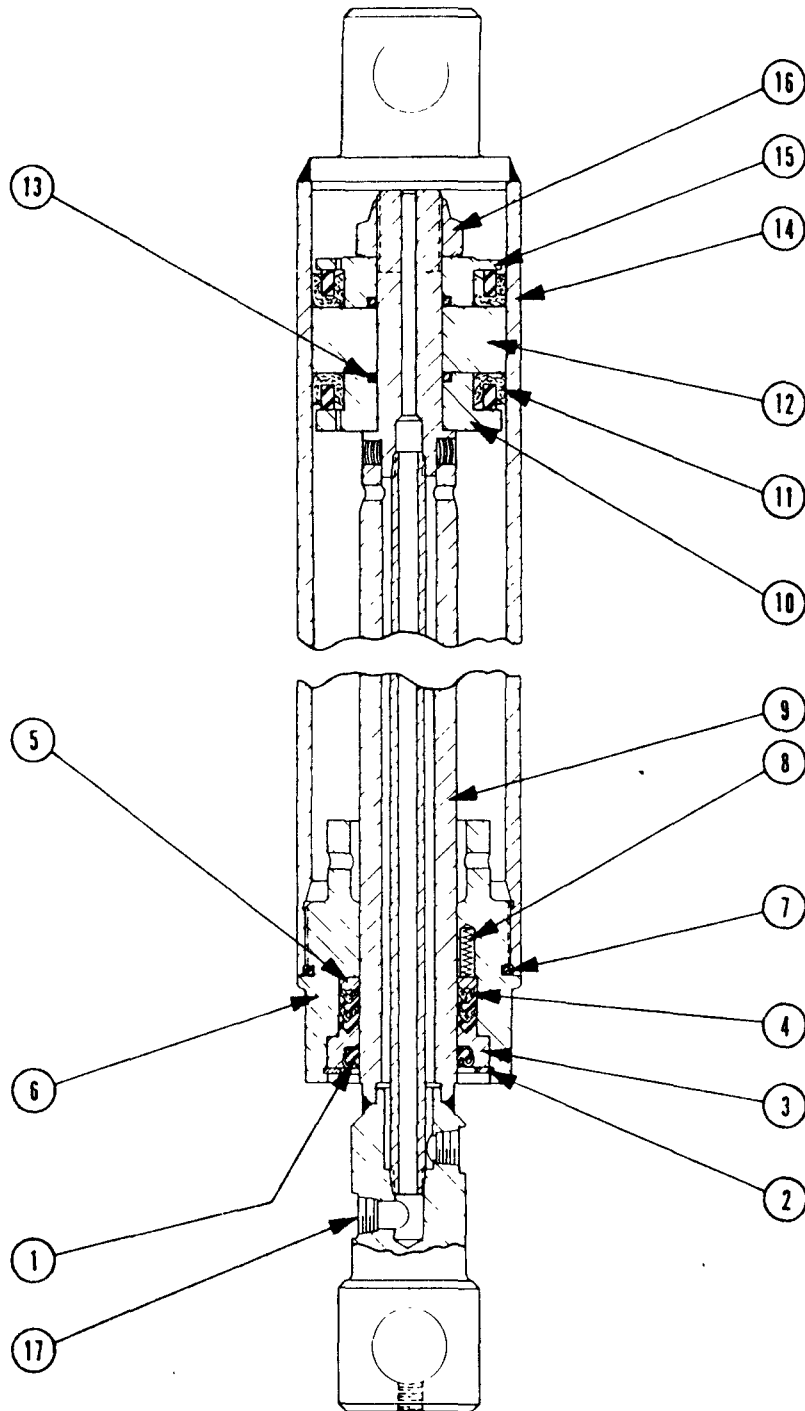
TELESCOPING BOOM ASSEMBLY — L.H.

SHEET

1 of 1

PUBLICATION NO

1JTPT188X



GARDNER-DENVER CO

2-22

TITLE

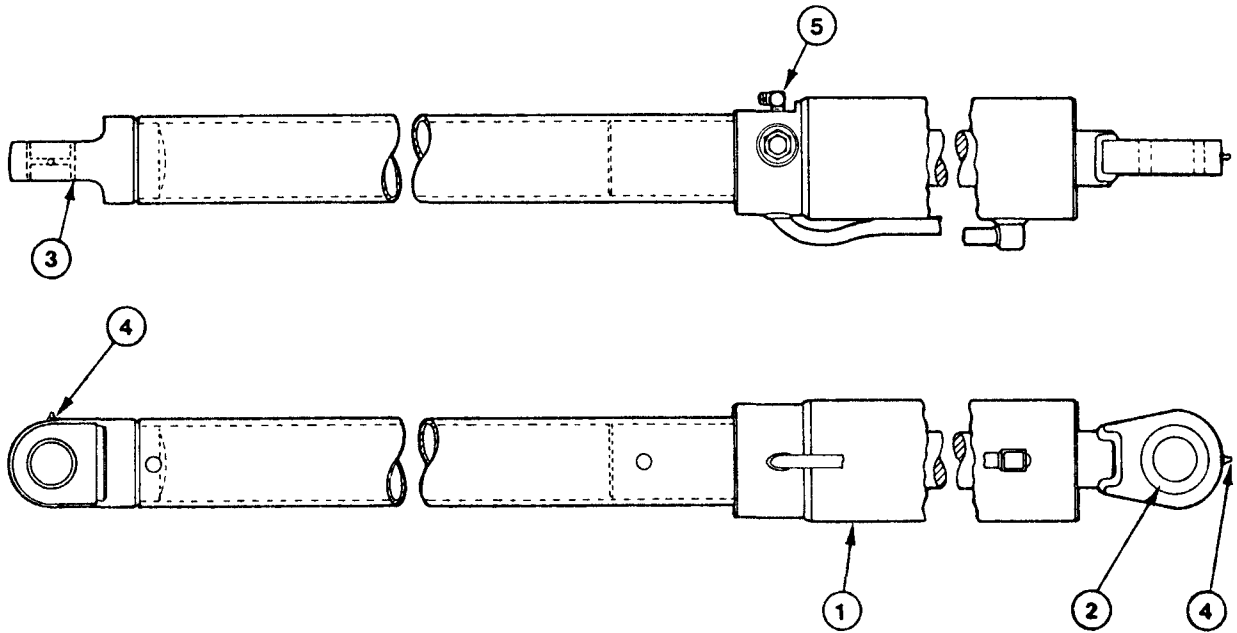
HYDRAULIC CYLINDER - BOOM

SHEET

1 of 1

PUBLICATION NO.

CYL8



<u>ITEM</u>	<u>QTY.</u>	<u>PART NO.</u>	<u>DESCRIPTION</u>
1	1	1050956	Hydraulic cylinder
2	1	BU6	Bushing
3	2	JTB12GE19	Bushing
4	2	Z1	Zerk fitting
5	2	1049963	Male elbow



GARDNER-DENVER CO

TITLE

HYDRAULIC CYLINDER ASSEMBLY

SHEET

1 of 1

PUBLICATION NO.

1JTPT323A

<u>ITEM</u>	<u>QTY.</u>	<u>PART NO.</u>	<u>DESCRIPTION</u>
1	2	1050910	Counterbalance Valve
2	1	1051066	Locknut
3	2	1051067	Backing Plate
4	2	1051071	U Cup Assembly
5	2	1051069	O Ring
6	1	1051070	Piston
7	1	1051254	Barrel Assembly
8	2	1050871	Pipe Plug
9	1	1051255	Piston Rod Assembly
10	1	1051076	O Ring
11	1	1051077	Backup Ring
12	1	1051073	Cylinder Head
13	4	1050694	Spring
14	1	1051074	Male Adapter
15	1	1051081	O Ring
16	1	1051075	Packing Set
17	1	1051078	Female Adapter
18	1	1051080	Retainer Ring
19	1	1051079	Rod Wiper
	1	1051592	Repair Kit
	1	1051288	Valve Seal Kit for Counterbalance Valve



GARDNER-DENVER CO

TITLE

HYDRAULIC CYLINDER - BOOM

SHEET

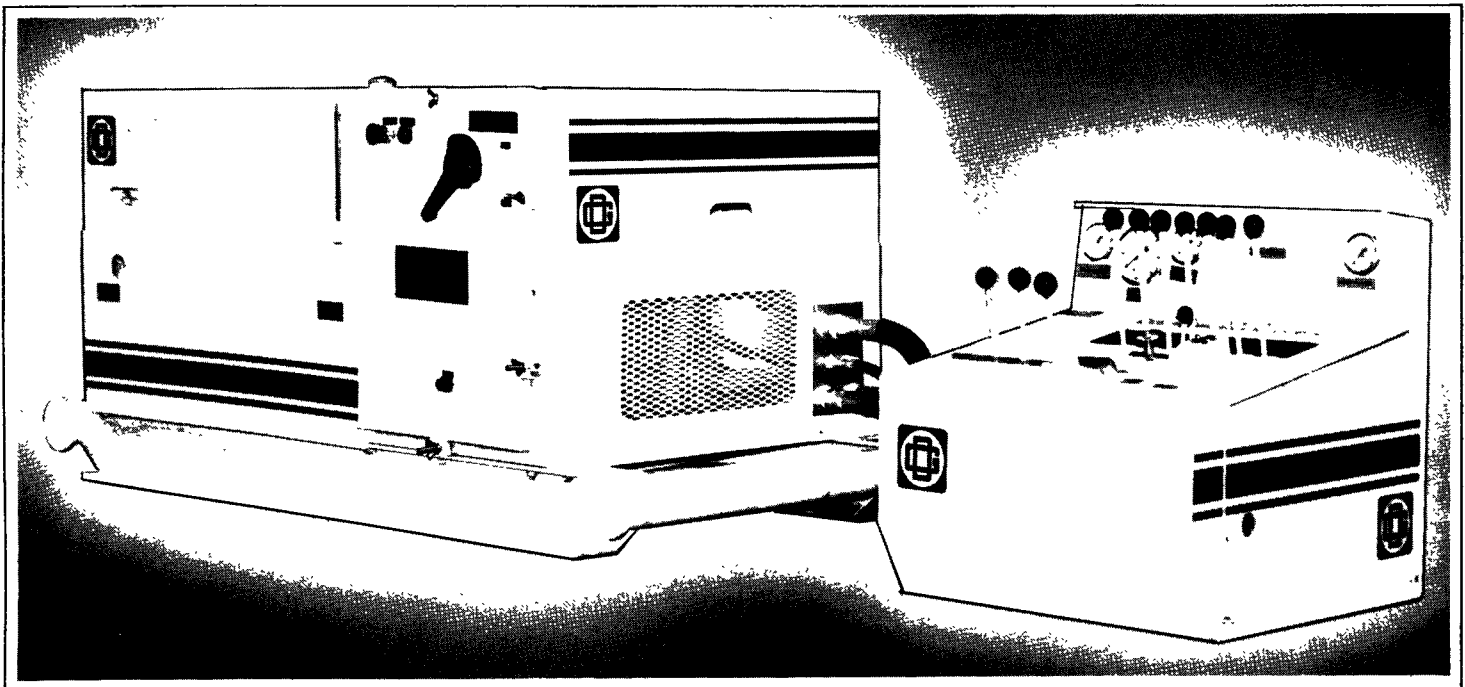
1 of 1

PUBLICATION NO.

1051565

Warnings .....	Inside Cover	Reservoir Assembly .....	10
Cautions .....	Inside Cover	MOD1 - For Separate Reservoir	
Warranty .....	Inside Cover	Construction B .....	10
General Information .....	1	Additional Equipment .....	11
MOD1 - With Integral Reservoir		Reservoir Assembly .....	11
Construction A		Reservoir Assembly .....	12
Control Console .....	2	Ordering Information .....	12
Hose Assemblies for Control Console .....	4		
Pump Assembly, Interior .....	6		
Pump Assembly, Exterior .....	8		

**MOD1 POWER PACK**



**GENERAL INFORMATION**

The MOD1 single pump hydraulic power pack is designed to provide power to the drilling components of a single boom system. All boom and positioner movements, feed extension and rotation, drill power and feed plus blowing air or water are controlled from the console.

The MOD1 is compatible with all Gardner-Denver hydraulic components including the new booms and crossover positioner, the hydraulic feeds and the hydraulic drill.

Construction A has an integral reservoir; Construction B is for a separate reservoir. Both constructions feature:

- Control Panel with 7 Boom functions.
- 75 hp., 440 Volt, 60 Hz Electric Motor.
- Variable Displacement, hp limited, piston-type Hydraulic Pump.
- Hydraulic Oil to Water type Heat Exchanger.
- Approximate power input required - 45 kw.

Items described below are available for use with the MOD1 Power Pack.  
 Contact a Gardner-Denver Sales Office for price and delivery information.

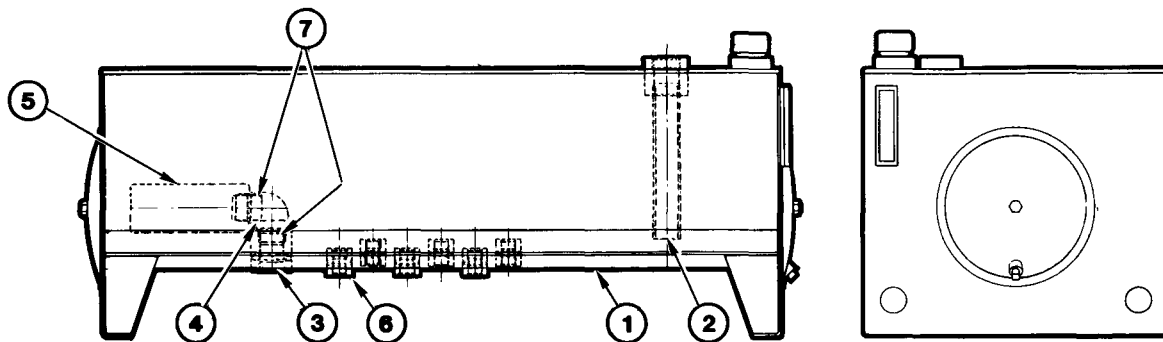
- |           |   |
|-----------|---|
| 1MOD665   | Reservoir Assembly - 100 gallon capacity  |
| 1MOD665C  | Reservoir Assembly - 60 gallon capacity   |
| 1052141   | Filter Element - Use for 9800 Pall Filter |
| 1051762   | Filter Element - Use for 9600 Pall Filter |
| 1MOD589AX | Control Panel - For 6 Boom functions      |

The following items are Hose Assemblies connecting the Control Console to the Pump Assembly.  
 Determine the length required and then order the nearest longer length. Cut to size if necessary and replace fittings.

- |           |                     |
|-----------|---------------------|
| 1MOD475X  | Hose Assembly - 60' |
| 1MOD475BX | Hose Assembly - 50' |
| 1MOD475CX | Hose Assembly - 40' |
| 1MOD475DX | Hose Assembly - 30' |
| 1MOD475EX | Hose Assembly - 20' |
| 1MOD475FX | Hose Assembly - 10' |

## RESERVOIR ASSEMBLY

### RESERVOIR 1MOD665



REF.NO.	PART NO.	DESCRIPTION
1	1051678	Reservoir
2	1MOD583	Pipe
3	1051726	Forged Coupling - 2 required
4	1051753	Forged Elbow
5	1051725	Liquid Filter
6	1051727	Forged Coupling - 6 required
7	1029193	Pipe Nipple - 2 required

<u>ITEM NO.</u>	<u>QTY.</u>	<u>PART NUMBER</u>	<u>DESCRIPTION</u>
1	1	201SPQ300	Radiator
2	1	B40842	Oil Cooler
3	1	F39710	Shroud Assembly
4	1	2016720	Orifice Ring
5	1	C39698	Spacer
6	1	201SPQ701	Fan
7	3	B39917	Fan Belt
8	1	B39739	Gasket
9	1	B39743	Tube Assembly
10	1	F39742	Tube
11	6	2009395	Hose Clamp
12	3	29A58	Coolant Hose
13	1	D39744	Angle
14	2	1051714	Cap Screw, 7/16-NC
15	6		Cap Screw, 5/16-NC
16	2	SH156	Cap Screw, 3/4-NC
17	6	SH51	Cap Screw, 3/8-NC
18	16	NH53	Hex Nut, 3/8-NC
19	16	SH21	Cap Screw, 5/16-NC
20	10		Cap Screw, 3/8-NC
21	2	1049401	Lockwasher, 7/16
22	22	WP5	Lockwasher, 5/16
23	2	WP43	Lockwasher, 3/4
24	16	WP11	Lockwasher, 3/8
25	1	D40660	Angle
26	1	B39916	Hose Assembly
27	1	1050005	Hose Coupling
28	1	HC12	Hose Clamp
29	2	B40035	Pad, Radiator Mount

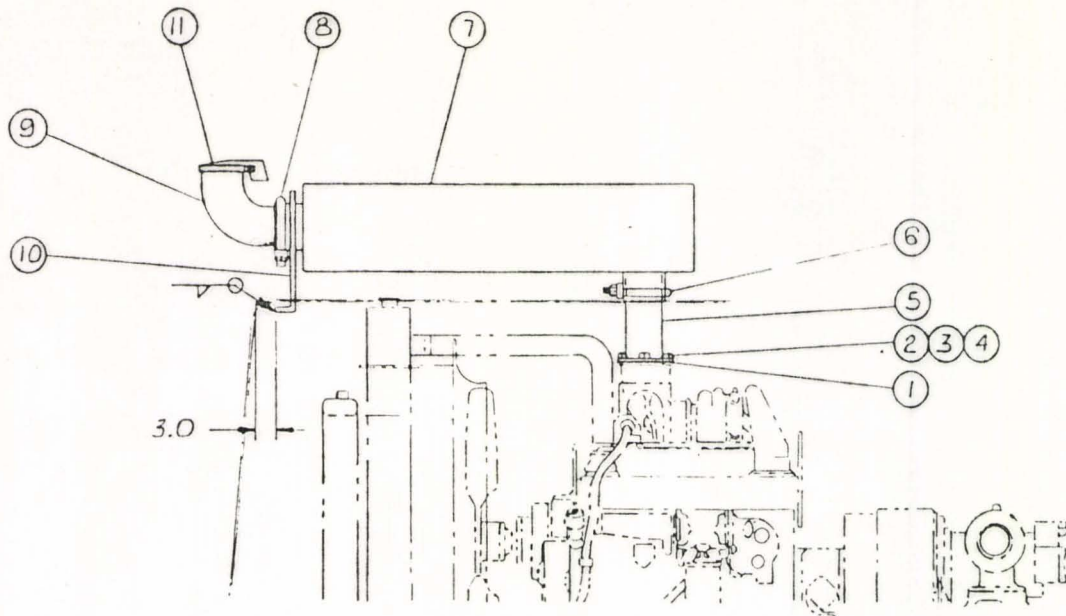


GARDNER-DENVER CO

TITLE RADIATOR &amp; OIL COOLER ASSEMBLY

SHEET 2 of 2

PUBLICATION NO. B40683



ITEM NO.	QTY.	PART NUMBER	DESCRIPTION
1	1	B39757	Gasket
2	4	SH56	3/8 NC x 1.5 Long
3	4	WP11	3/8 Lock Washer
4	4	NH53	3/8 NC Nut
5	1	D39750	Exhaust Pipe Asm
6	1	C41179	Clamp - 4"
7	1	D41134	Muffler
8	1	C41180	Clamp - 5"
9	1	C41181	90° Elbow
10	1	C41133	Bracket
11	1	C42610	Rain Cap



GARDNER-DENVER CO

TITLE

EXHAUST ASM

SHEET

1 of 1

PUBLICATION NO.

B40696

CLICK HERE TO **DOWNLOAD** THE COMPLETE MANUAL

- Thank you very much for reading the preview of the manual.
- You can download the complete manual from: [www.heydownloads.com](http://www.heydownloads.com) by clicking the link below



- Please note: If there is no response to CLICKING the link, please download this PDF first and then click on it.

CLICK HERE TO **DOWNLOAD** THE COMPLETE MANUAL