

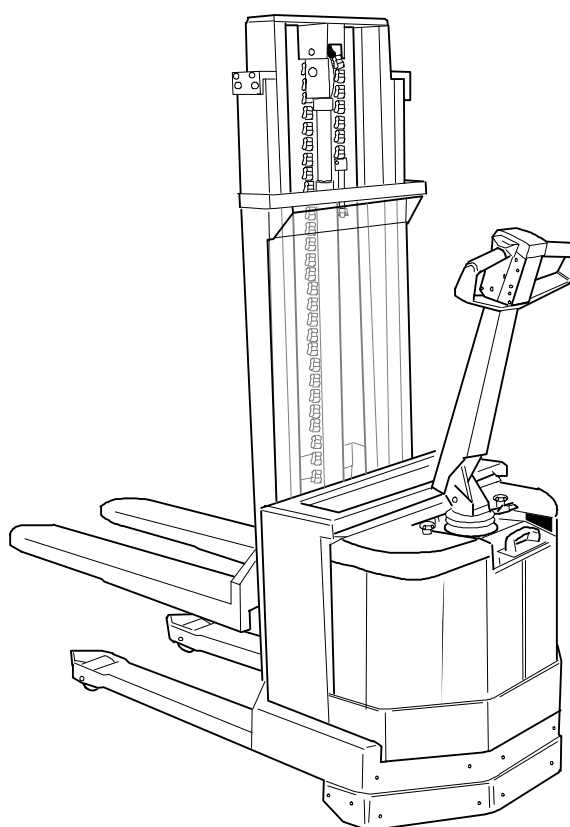
TOYOTA

Powered Pallet Stacker SM 10 / SM 12

Valid for machine number: 412520AT -

Only valid for machine number:

--	--	--	--	--	--	--	--



Spare Parts Catalogue

Ordering number 182041

Date 2001-04-25/ESIJ

CLICK HERE TO **DOWNLOAD** THE COMPLETE MANUAL

- Thank you very much for reading the preview of the manual.
- You can download the complete manual from: www.heydownloads.com by clicking the link below



- Please note: If there is no response to CLICKING the link, please download this PDF first and then click on it.

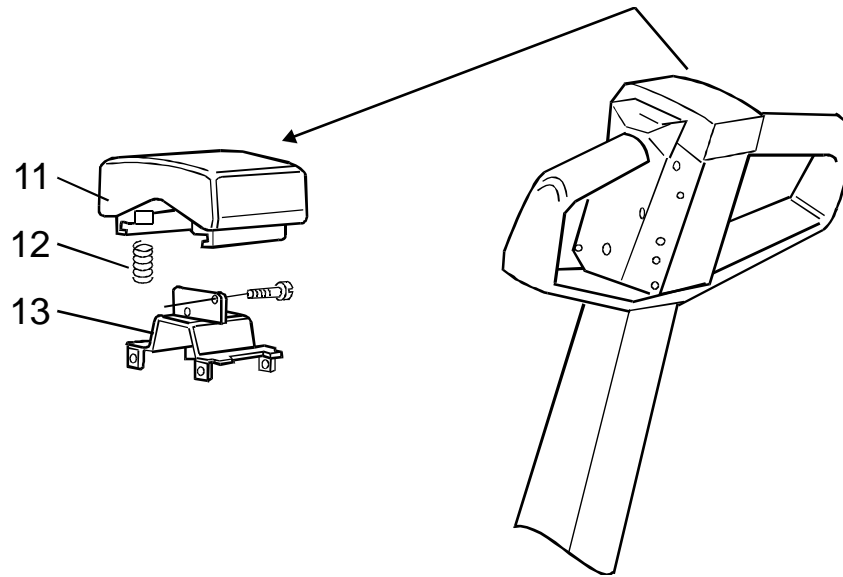
CLICK HERE TO **DOWNLOAD** THE COMPLETE MANUAL

0340-116 Inspection covers

[1999-03-25]

Huvar, luckor; Hauben, Abdeckungen; Capots, couvercles

Pos	Description	Pcs	Part No	Note
			496 SM 12 596 SM 10	340960 - 335439 -
11	Lock cpl. Låsvred kompl.; Loch; Serrure	2	134518	
12	Spring Fjäder; Feder; Ressort	4	134385	
13	Cotter pin Saxpinne; Gespalter stift; Goupille fendue	2	21441	
14	Clip nut Låsclips; Schlitzmutter; Tôle de ecrou	2	28979	
15	Cover(Orange) Huv; Haube; Capot	1	167221-031	
16	Cover(Orange) Huv; Haube; Capot	1	167222-031	
17	Cover. Lucka; Deckel; Couvercle	1	144887	
18	Screw Skruv; Schraube; Vis	2	20021	
19	Nut Mutter; Mutter; Ecrou	2	21094	
20	Screw Skruv; Schraube; Vis	2	24546	
21	Distance piece Distans; Distanz; Distance	2	147426	
22	Washer Bricka; Scheibe; Rondelle	2	20404	
23	Nut Mutter; Mutter; Ecrou	2	28930	



0840-010 Driver protection

[1996-11-18]

Förarskydd; Fahrerschutz; Protection de cariste

Pos	Description	Pcs	Part No	Note
			496 SM 12 596 SM 10	340960 - 335439 -
11	Push-button Tryckknapp; Druckknopf; Bouton	1	109624	
12	Spring Fjäder; Feder; Ressort	4	27309	
13	Consol Konsol; Konsole; Console	1	109850	

3160-020 Parking brake drum/disc assembly

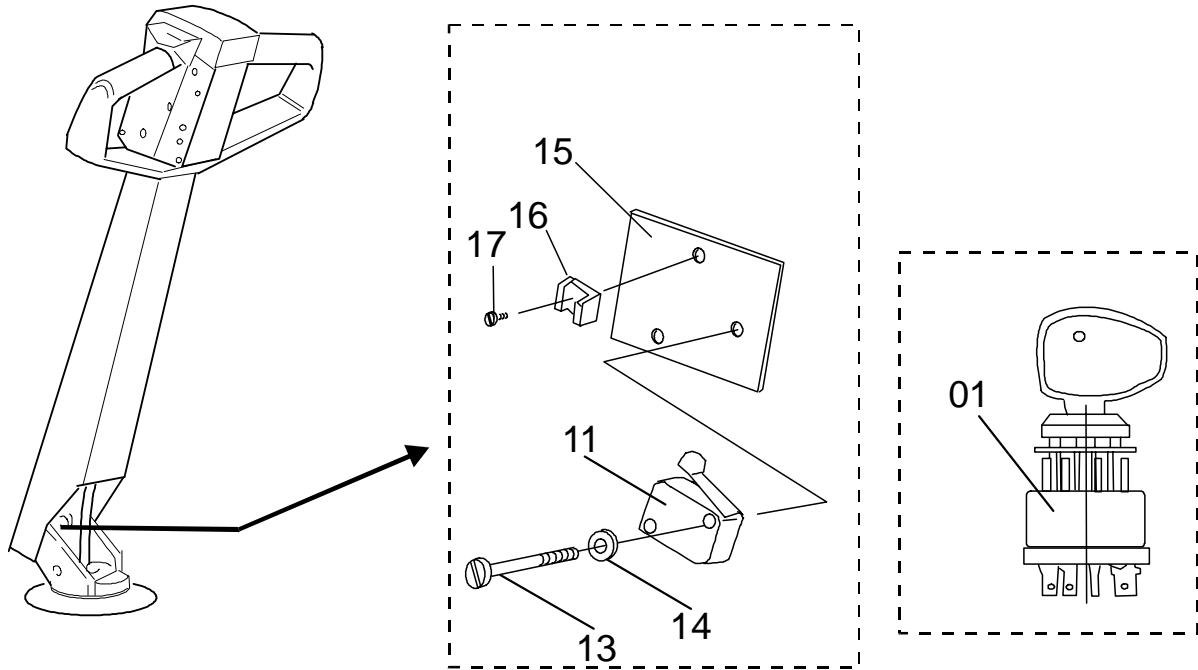
[1998-11-20]

Parkeringstrum-/skivbroms; Trommel-/Scheiben-Feststellbremse; Frein à tambour/disque (de stationnement)

Pos	Description	Pcs	Part No	Note
			496 SM 12 596 SM 10	340960 - 335439 -
11	Arm Arm; Arm; Bras	1	137191	
12	Nut Mutter; Mutter; Ecrou	1	20016	
13	Nut Mutter; Mutter; Ecrou	1	20433	
14	Nut Mutter; Mutter; Ecrou	1	20396	
15	Screw Skruv; Schraube; Vis	4	20055	
16	Washer Bricka; Scheibe; Rondelle	8	20375	
17	Spring Fjäder; Feder; Ressort	4	29603	
18	Pressure plate Tryckplatta; Drückplättchen; Plaque de pression	1	138730	
19	Nut Mutter; Mutter; Ecrou	4	134482	
20	Screw Skruv; Schraube; Vis	1	163009	With driver platform Med förarplattform; Mit Fahrerplattform; Avec plate forme du conducteur Without driver platform Utan förarplattform; Ohne Fahrerplattform; Sans plate forme du conducteur
20	Screw Skruv; Schraube; Vis	1	167912	
21	Rotor Rotor; Rotor; Rotor	1	174967	
22	Locking ring Spärring; Schliessring; Circlip	1	20004	
23	Washer Bricka; Scheibe; Rondelle	1	20882	
24	Hub Nav; Nabe; Moyeu	1	174966	
25	Plate Plåt; Platte; Plaque	1	174968	
26	Screw Skruv; Schraube; Vis	2	23913	
27	Nut Mutter; Mutter; Ecrou	2	21110	
28	Screw Skruv; Schraube; Vis	1	20460	
29	Roller Rulle; Rolle; Roleau	1	21955	

5310-041

P0009080



5310-041 Start/stop switch

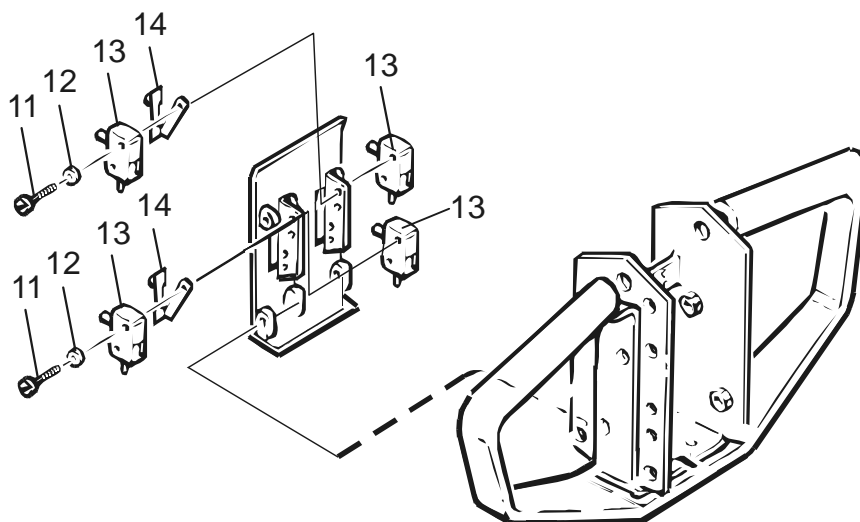
[1999-06-11]

Start/stopströmställare; Schalter Fahren/Anhalten; Interrupteur (coupe-circuit) démarrage/arrêt

Pos	Description	Pcs	Part No	Note
01	Ignition switch Startlås; Zündschloss; Contact-démarreur	1	26701	
11	Micro switch Mikrobrytare; Mikroschalter; Interrupteurs	1	156280	
13	Screw Skruv; Schraube; Vis	2	23638	
14	Washer Bricka; Scheibe; Rondelle	2	21392	
15	Plate Plåt; Platte; Plaque	1	156722	
16	Clamp Klamma; Rohrschelle; Collier	1	20942	
17	Screw Skruv; Schraube; Vis	1	20120	

5510-027

P0007230



5510-027 Work function micro switches, potentiometers

[1997-10-28]

Arbeitsfunktionsbrytare/-potentiometer; Schalter/Potentiometer Arbeitsfunktion; Rupteurs (switches)/ potentiomètres

Extra lifting / sinking; Extra lyft / sänkning; Extra hebe / senkung; Extralevage / d'epression		496 SM 12 596 SM 10	340960 - 335439 -	
Pos	Description	Pcs	Part No	Note
11	Screw Skruv; Schraube; Vis	8	23638	
12	Washer Bricka; Scheibe; Rondelle	8	21392	
13	Micro switch Mikrobrytare; Mikroschalter; Interrupteurs	4	156278	
14	Operating device Manöverdon; Steuerungsvorrichtung; Bras de commande	4	29078	

6100-103 Hydraulic unit

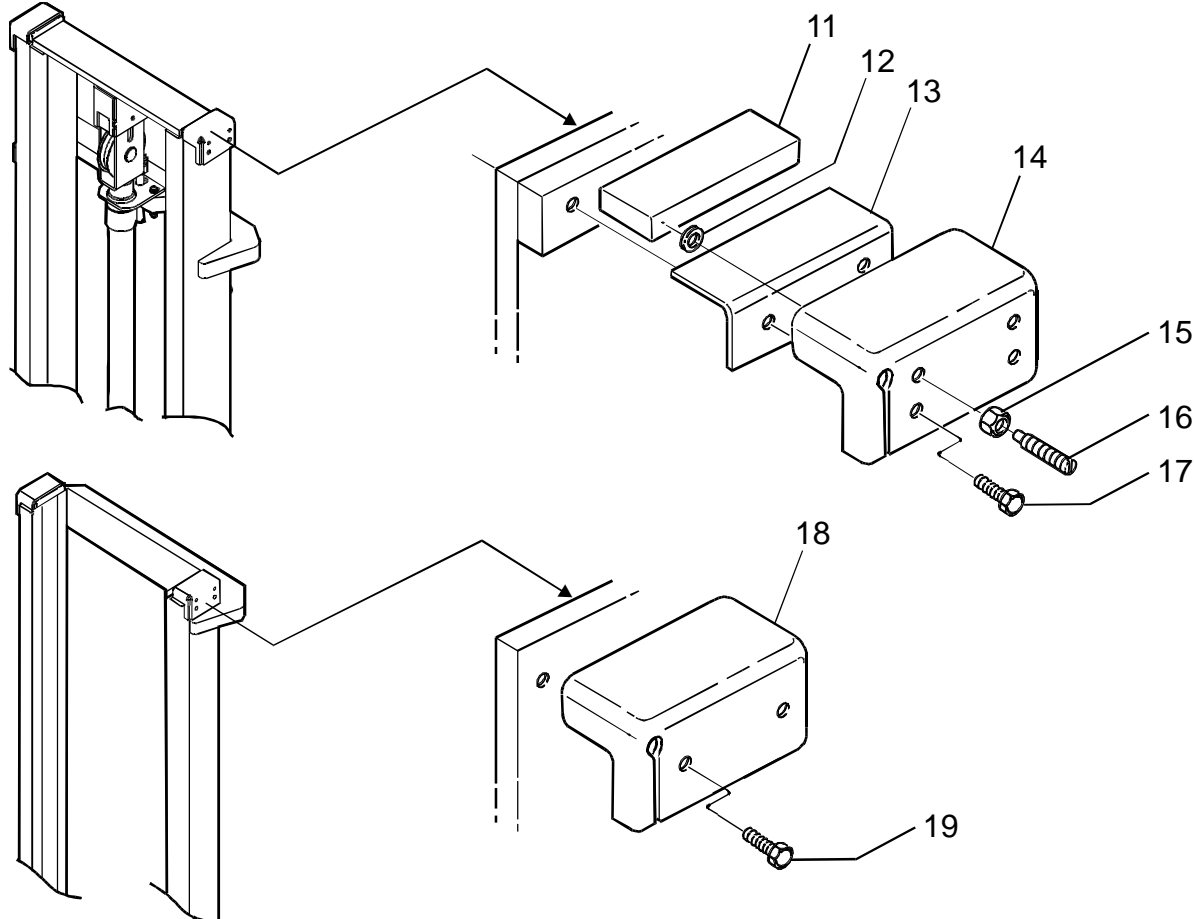
[2001-04-25]

Hydraulaggregat; Hydraulikaggregat; Unité hydraulique

<i>Electric lifting / sinking; Elektrisk lyft / sänkning; Elektrische hebe / senkung; Levage / dépression de électrique</i>		496 SM 12 596 SM 10	412520 - 412520 -	
Pos	Description	Pcs	Part No	Note
01	Pump unit compl. Pumpenhet kompl.; Pumpeinheit kompl.; Unite de pompe compl.	1	181399	
11	Non return valve Backventil; Rückschlagklappe; Clapet de retenue	1	143374	
12	Tank Tank; Behälter; Reservoir	1	181171	
13	Cap Lock; Deckel; Couvercle	1	181622	
14	Filter Filter; Filter; Filtre	1	143382	
15	Valve Ventil; Ventil; Soupape	1	143373	
16	Restriction valve Sänkbromsventil; Drosselventil; Soupape de reduction	1	148272	
17	Valve Ventil; Ventil; Soupape	1	148271	
18	Packing set Packningssats; Packungssatz; Jeux d'étanchéité.	1	148312	
19	Valve(Magnet) Ventil(Magnet); Ventil(Magnet); Soupape(Magnétique)	1	143371	
20	Coil Spole; Spule; Bobine	1	143372	
23	Bracket Fäste; Halterung; Support	1	150455	
24	Sealing kit Tätningssats; Dichtungssatz; Jeux d'étanchéité	1	143378	
27	Pump Pump; Pump; Pumpe	1	143377	
28	Filter Filter; Filter; Filtre	1	152716	
29	Filter Filter; Filter; Filtre	1	143382	

7150-002

P0002582



7150-002 Mast guidance / dampers

[1996-08-22]

Stativstyrning / dämpning; Stativführung / Dämpfer; Guidage de mat

Pos	Description	Pcs	Part No	Note
			496 SM 12 596 SM 10	340960 - 335439 -
11	Plug Plugg; Pfropf; Bouchon	2	144720	
12	Washer Bricka; Scheibe; Rondelle	2	144721	
13	Slide plate Glidplatta; Gleitplatte; Plaque de incline	2	148763	
14	Plate Plåt; Platte; Plaque	2	148762	
15	Nut Mutter; Mutter; Ecrou	4	21110	
16	Stop screw Stoppskruv; Einstellschraube; Vis de arretoire	4	26829	
17	Screw Skruv; Schraube; Vis	4	28590	
18	Plate Plåt; Platte; Plaque	2	148761	Simplex
19	Screw Skruv; Schraube; Vis	4	28590	Simplex

CLICK HERE TO **DOWNLOAD** THE COMPLETE MANUAL

- Thank you very much for reading the preview of the manual.
- You can download the complete manual from: www.heydownloads.com by clicking the link below



- Please note: If there is no response to CLICKING the link, please download this PDF first and then click on it.

CLICK HERE TO **DOWNLOAD** THE COMPLETE MANUAL