

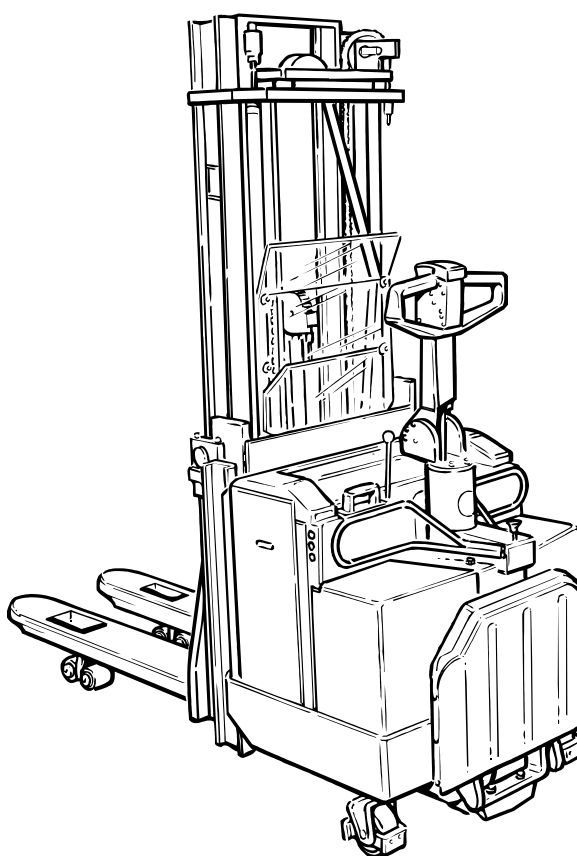
TOYOTA

Powered Pallet Stacker SLL 12.5F / SLL 16F

Valid for machine number: 715567 -

Only valid for machine number:

--	--	--	--	--	--	--



Spare Parts Catalogue

Ordering number 218909

Date 2004-07-05 / ESID

CLICK HERE TO **DOWNLOAD** THE COMPLETE MANUAL

- Thank you very much for reading the preview of the manual.
- You can download the complete manual from: www.heydownloads.com by clicking the link below



- Please note: If there is no response to CLICKING the link, please download this PDF first and then click on it.

CLICK HERE TO **DOWNLOAD** THE COMPLETE MANUAL

0820-00103 Finger/foot guards

[2003-04-30]

Finger-/fotskydd; Finger-/Fusschutz; Protection de doigts/pieds anti-écrasement;

			696 SLL 12.5F	413816 -
Pos	Description	Pcs	Part No	Note
10	Clamp Klamma; Rohrschelle; Collier	6	28937	
11	Screw Skruv; Schraube; Vis	2	21273	
11	Screw Skruv; Schraube; Vis	4	22724	
12	Bracket Fäste; Halterung; Support	6	129399	
13	Rubber washer Gummibricka; Gummischeibe; Rondelle de caoutchouc	6	139742	
14	Nut Mutter; Mutter; Ecrou	2	20235	
14	Nut Mutter; Mutter; Ecrou	6	21094	
15	Finger cover Fingerskydd; Fingerschutz; Protège main	1	170849	h1 > 2065 mm
15	Finger cover Fingerskydd; Fingerschutz; Protège main	1	174429	h1 =< 2065 mm
16	Finger cover Fingerskydd; Fingerschutz; Protège main	1	146081	Simplex
16	Finger cover Fingerskydd; Fingerschutz; Protège main	1	174428	DX Tele; DX Hi-Lo; TX Hi-Lo
17	Washer Bricka; Scheibe; Rondelle	2	21672	

1760-00001 Electric drive motor

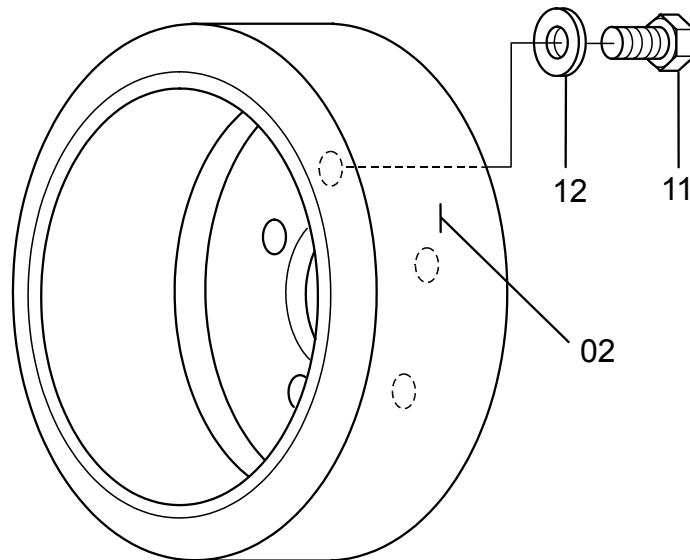
[2003-08-08]

Elektrisk åkmotor; Elektro-Fahrmotor; Moteur de traction électrique;

Pos	Description	Pcs	Part No	Note
			696 SLL 12.5F 697 SLL 16F	413816 - 413816 -
01	Motor(Complete) Motor(Komplett); Motor(Komplett); Moteur(Complet)	1	149861	
02	Carbon brush Kolborste; Kohlebürste; Charbon	4	161611	
03	Brush bridge Borstbrygga; Bürstenbrücke; Support de porte balais	1	130345	
09	Rotor Rotor; Rotor; Rotor	1	139393	
10	Stator(Complete) Stator(Komplett); Ständer(Komplett); Stator(Complet)	1	150431	
11	End shield Lagersköld; Lagerschild; Bouclier	1	147749	
12	Screw Skruv; Schraube; Vis	14	20224	
13	Washer Bricka; Scheibe; Rondelle	14	21351	
14	Locking ring Spärring; Schliessring; Circlip	1	27542	
15	Bearing Lager; Lager; Roulement	1	28560	
17	Spring Fjäder; Feder; Ressort	4	149423	
18	Cable Kabel; Kabel; Câble	2	27899	
19	Key Kil; Keil; Clavette	1	27900	
20	Locking ring Spärring; Schliessring; Circlip	1	20923	
21	Locking ring Spärring; Schliessring; Circlip	1	29515	
22	Washer Bricka; Scheibe; Rondelle	1	29517	
23	Washer Bricka; Scheibe; Rondelle	1	29516	
24	Ball bearing Kullager; Kugellager; Roulement a billes	1	26102	
25	End shield Lagersköld; Lagerschild; Bouclier	1	139160	
26	Sealing Tätning; Dichtung; Joint	1	27898	
27	Plug Propp; Pfropfen; Bouchon	4	148206	
28	Housing Kåpa; Haus; Chape	1	150232	
29	Screw Skruv; Schraube; Vis	2	21151	
30	Clamp Klämna; Klammer; Pincer	1	110851	
31	Washer Bricka; Scheibe; Rondelle	3	20375	
32	Nut Mutter; Mutter; Ecrou	3	20249	
33	Screw Skruv; Schraube; Vis	2	21119	
34	Cover Lock; Deckel; Couvercle	1	110850	
35	Nut Mutter; Mutter; Ecrou	3	20235	
36	Washer Bricka; Scheibe; Rondelle	3	20236	

3530-00019

P0008089



3530-00019 Drive wheel

Drivhjul; Antriebsrad; Roue motrice;

[2003-04-30]

Pos	Description	Pcs	Part No	Note
			696 SLL 12.5F 697 SLL 16F	413816 - 413816 -
02	Drive wheel(Vulkollan) Drivhjul; Antriebsrad; Roue entrainement	1	129920	Standard design Standardutförande; Normalausrüstung; Standard
11	Screw Skruv; Schraube; Vis	5	110803	
12	Washer Bricka; Scheibe; Rondelle	5	21393	

5390-00242 Driving function harnesses/fuse

[2004-03-09]

Åkfunktionkablage/-säkring; Verkabelung, Sicherung Fahrfunktion; Câblage/fusible fonction de déplacement;

Pos	Description	Pcs	Part No	Note
			696 SLL 12.5F 697 SLL 16F	705884 - 705884 -
11	Wiring harness Kablage; Kabelsatz; Câblage	1	150312	
12	Wiring harness Kablage; Kabelsatz; Câblage	1	149312	
12	Wiring harness Kablage; Kabelsatz; Câblage	1	179903	Electric lifting / sinking Elektrisk lyft / sänkning; Elektrische hebe / senkung; Levage / dépression de électrique
12	Wiring harness Kablage; Kabelsatz; Câblage	1	216207	Gate Grind; Schranke; Barrière
13	Wiring harness Kablage; Kabelsatz; Câblage	1	149318	Powertrac
14	Wiring harness Kablage; Kabelsatz; Câblage	1	155858	8 km / h
15	Wiring harness Kablage; Kabelsatz; Câblage	1	149313	
16	Wiring harness(Including magnetic switch) Kablage(Inklusive magnetbrytare); Kabelsatz(Inklusive Magnetschalter); Câblage(Inclus Rupteur de bobine)	1	155624	Replaced by new spare part Ersatt av ny reservdel; Ersetzen mit neue Ersatzteil; Remplacement, nouvelle pièce de rechange
16	Wiring harness(Including magnetic switch) Kablage(Inklusive magnetbrytare); Kabelsatz(Inklusive Magnetschalter); Câblage(Inclus Rupteur de bobine)	1	216213	
17	Wiring harness Kablage; Kabelsatz; Câblage	1	149314	6 km/h
17	Wiring harness Kablage; Kabelsatz; Câblage	1	166329	8 km / h
17	Wiring harness Kablage; Kabelsatz; Câblage	1	175024	Electric lifting / sinking Elektrisk lyft / sänkning; Elektrische hebe / senkung; Levage / dépression de électrique
17	Wiring harness Kablage; Kabelsatz; Câblage	1	216212	Gate Grind; Schranke; Barrière
18	Wiring harness Kablage; Kabelsatz; Câblage	1	149316-001	Machine without driver platform Maskin utan förarplattform; Maschine exkl. Fahrerplattform; Machine excl. plateforme du conducteur
18	Wiring harness Kablage; Kabelsatz; Câblage	1	149316-002	Machine with driver platform Maskin med förarplattform; Maschine mit Fahrerplattform; Machine avec plateforme du conducteur
19	Magnet Magnet; Magnet; Magnétique	1	172622	
20	Screw Skruv; Schraube; Vis	1	28264	
21	Nut Mutter; Mutter; Ecrou	8	20255	
22	Damper Dämpare; Dämpfer; Attenteur	4	136060	
23	Wiring harness(Including magnetic switch) Kablage(Inklusive magnetbrytare); Kabelsatz(Inklusive Magnetschalter); Câblage(Inclus Rupteur de bobine)	1	216213	
24	Support Hållare; Stossfänger; Absorber des chocs	1	216176	
25	Screw Skruv; Schraube; Vis	4	20561	

5710-00026 Drive/multi-function PCBs

[2003-04-30]

Elektronikkort åkning/kombination; Elektronikkarten Fahren/Kombination; Cartes électroniques déplacement/combinaison;

Pos	Description	Pcs	Part No	Note
			696 SLL 12.5F 697 SLL 16F	413816 - 413816 -
12	Electric panel(Complete) Elpanel(Komplett); Elektrische Paneel(Komplett); Panneau électrique(Comple)	1	166084	8 km / h
12	Electric panel(Complete) Elpanel(Komplett); Elektrische Paneel(Komplett); Panneau électrique(Comple)	1	183855	6 km/h
13	Screw Skruv; Schraube; Vis	1	28818	
14	Insulation plate Isolerplatta; Isolierplatte; Plaque isolation	1	154358	8 km / h
14	Insulation plate Isolerplatta; Isolierplatte; Plaque isolation	1	74615	6 km/h
15	Screw Skruv; Schraube; Vis	4	27499	
16	Copper bar Kopparskena; Kupferstab; Plaque de cuivre	1	149184	
17	Copper bar Kopparskena; Kupferstab; Plaque de cuivre	1	149181	
18	Copper bar Kopparskena; Kupferstab; Plaque de cuivre	1	161822	
19	Screw Skruv; Schraube; Vis	2	21750	
20	Nut Mutter; Mutter; Ecrou	2	28929	
21	Washer Bricka; Scheibe; Rondelle	2	22474	
22	Plate Plåt; Platte; Plaque	1	162105	
23	Screw Skruv; Schraube; Vis	4	29834	
24	Washer Bricka; Scheibe; Rondelle	4	20236	
25	Bracket Fäste; Halterung; Support	4	129399	
26	Damper Dämpare; Dämpfer; Attenteur	3	21997	
27	Fuse(160 A) Säkring; Sicherung; Fusible	1	29223	
28	Fuse(100A) Säkring; Sicherung; Fusible	1	29228	
29	Insulator Isolator; Isolator; Isolateur	4	65183	
30	Nut Mutter; Mutter; Ecrou	4	20045	
31	Washer Bricka; Scheibe; Rondelle	4	21393	
32	Washer Bricka; Scheibe; Rondelle	8	65184	
33	Screw Skruv; Schraube; Vis	10	27500	
34	Copper bar Kopparskena; Kupferstab; Plaque de cuivre	1	149185	
35	Copper bar Kopparskena; Kupferstab; Plaque de cuivre	1	149183	
36	Screw Skruv; Schraube; Vis	4	20050	
37	Nut Mutter; Mutter; Ecrou	4	20081	
38	Transistor controller Transistorregulator; Transistorregulator; Regulateur des transistors	1	166328-001	

CLICK HERE TO **DOWNLOAD** THE COMPLETE MANUAL

- Thank you very much for reading the preview of the manual.
- You can download the complete manual from: www.heydownloads.com by clicking the link below



- Please note: If there is no response to CLICKING the link, please download this PDF first and then click on it.

CLICK HERE TO **DOWNLOAD** THE COMPLETE MANUAL

6200-00002 Hydraulic system chassi mounted

[2003-05-21]

Hydraulsystem chassimonterat; Hydraulikanlage Chassis; Système hydraulique châssis;

Standard design; Standardutförande; Normalausrüstung; Standard			696 SLL 12.5F 697 SLL 16F	413816 - 413816 -
Pos	Description	Pcs	Part No	Note
10	Nut Mutter; Mutter; Ecrou	1	21110	
11	Knob Knopp; Knopf; Bouton	1	20080	
12	Lever Spak; Hebel; Levier	1	141746	225 mm
12	Lever Spak; Hebel; Levier	1	181110	325 mm
13	Locking pin Spännstift; Spannstift; Goupille	2	20001	
14	Washer Bricka; Scheibe; Rondelle	2	20882	
15	Axle Axel; Achse; Axe	1	119439	
16	Link Länk; Gelenk; Bras	1	27901	
17	Bush Bussning; Bague; Bague	2	140174	
18	Washer Bricka; Scheibe; Rondelle	2	21275	
19	Screw Skruv; Schraube; Vis	2	20031	
20	Bracket Fäste; Halterung; Support	1	132985	
21	Pressure reducing valve Tryckbegränsningsventil; Druckreduzierventil; Soupape de réglage de pression	1	132987	
22	Cover Huv; Haube; Capot	1	122547	
23	Closing stamp(Plastic) Plomberingsmärke(Plast); Verschlussmarke(Kunststoff); Plombage(Plastique)	1	20421	
24	Screw Skruv; Schraube; Vis	2	22548	
25	Valve Ventil; Ventil; Soupape	1	145830	
26	Packing set Packningssats; Packungssatz; Jeux d' étanchéité.	1	132984	
27	Pressure spring Tryckfjäder; Druckfeder; Ressort de pression	1	132988	
28	Pressure spring Tryckfjäder; Druckfeder; Ressort de pression	1	132983	
29	Cam disc roller Kamrulle; Umleitungsrolle; Roleau de segment	1	132986	
30	Nut Mutter; Mutter; Ecrou	2	22549	
31	Micro switch Mikrobrytare; Mikroschalter; Interrupteurs	1	156278	
32	Connection Koppling; Kupplung; Raccord	2	28064	
33	Connection Koppling; Kupplung; Raccord	1	119545	
34	Clamp Klamma; Rohrschelle; Collier	2	28691	
35	Connection Koppling; Kupplung; Raccord	1	26572	
36	Hose Slang; Schlauch; Tuyau flexible	1	120674	
37	Hose Slang; Schlauch; Tuyau flexible	1	135321	
38	Hose Slang; Schlauch; Tuyau flexible	1	147403	

6320-00253 Mast hydraulic lines

[2004-04-27]

Stativhydraulledningar; Hydraulikleitungen Hubeinrichtung; Circuits hydrauliques mât;

<i>Duplex Hi - Lo</i>		697 SLL 16F	709318 -	
Pos	Description	Pcs	Part No	Note
11	Restriction valve Sänkbromsventil; Drosselventil; Soupape de reduction	1	29670	
12	Reducer Reducering; Reduzierung; Réduction	1	26273	
13	Connector unit Kopplingsstycke; Kupplungsstück; Raccordement	1	101292	
14	Connection Koppling; Kupplung; Raccord	2	28801	
15	Pipe Rör; Rohr; Tube	1	143729	
16	Hose break valve(Connection) Slangbrottsventil(Koppling); Schlauchbruchventil(Kupplung); Valve de gonflement (rupture)(Raccord)	2	216544	
17	Pipe Rör; Rohr; Tube	1	143728	
18	Connection Koppling; Kupplung; Raccord	1	28801	
19	Pipe Rör; Rohr; Tube	1	139997	
20	Connection Koppling; Kupplung; Raccord	1	28781	
21	Connection Koppling; Kupplung; Raccord	1	140593	
22	Washer Bricka; Scheibe; Rondelle	1	126723-010	
23	Connection Koppling; Kupplung; Raccord	2	21994	
24	Hose(Meter) Slang(Meter); Schlauch(Meter); Tuyau flexible(Metre)		28108	
25	Connection Koppling; Kupplung; Raccord	1	28947	
26	Connection Koppling; Kupplung; Raccord	2	28781	
27	Connection Koppling; Kupplung; Raccord	1	28781	

6320-00277 Mast hydraulic lines

[2004-07-01]

Stativhydraulledningnar; Hydraulikleitungen Hubeinrichtung; Circuits hydrauliques mât;

Duplex Hi - Lo		696 SLL 12.5F	715567 -	
Pos	Description	Pcs	Part No	Note
11	Connection Koppling; Kupplung; Raccord	1	140593	
12	Washer Bricka; Scheibe; Rondelle	1	126723-010	
13	Connection Koppling; Kupplung; Raccord	2	28801	
14	Pipe Rör; Rohr; Tube	1	140590-235	Lift height = 2350 mm Lyfthöjd = 2350 mm; Hubhöhe = 2350 mm; Hauteur d'élévation = 2350 mm
14	Pipe Rör; Rohr; Tube	1	140590-290	Lift height = 2900 mm Lyfthöjd = 2900 mm; Hubhöhe = 2900 mm; Hauteur d'élévation = 2900 mm
14	Pipe Rör; Rohr; Tube	1	140590-335	Lift height = 3350 mm Lyfthöjd = 3350 mm; Hubhöhe = 3350 mm; Hauteur d'élévation = 3350 mm
14	Pipe Rör; Rohr; Tube	1	140590-375	Lift height = 3750 mm Lyfthöjd = 3750 mm; Hubhöhe = 3750 mm; Hauteur d'élévation = 3750 mm
14	Pipe Rör; Rohr; Tube	1	140590-415	Lift height = 4150 mm Lyfthöjd = 4150 mm; Hubhöhe = 4150 mm; Hauteur d'élévation = 4150 mm
15	Connection Koppling; Kupplung; Raccord	1	28781	
16	Pipe Rör; Rohr; Tube	1	139118	
17	Connection Koppling; Kupplung; Raccord	1	29532	
18	Connection Koppling; Kupplung; Raccord	2	28781	
19	Connection Koppling; Kupplung; Raccord	2	28801	
20	Restriction valve Sänkbromsventil; Drosselventil; Soupape de reduction	1	29671	
21	Connection Koppling; Kupplung; Raccord	1	28947	
22	Connection Koppling; Kupplung; Raccord	1	28801	
23	Connection Koppling; Kupplung; Raccord	1	29532	
24	Pipe Rör; Rohr; Tube	1	219267	
25	Connector unit Kopplingsstycke; Kupplungsstück; Raccordement	1	101292	
26	Reducer Reducering; Reduzierung; Réduction	1	26273	
27	Clamp Klamma; Rohrschelle; Collier	1	163949	
28	Screw Skruv; Schraube; Vis	1	28590	
29	Connection Koppling; Kupplung; Raccord	2	21994	
30	Hose(Meter) Slang(Meter); Schlauch(Meter); Tuyau flexible(Metre)		28108	

6610-00004 Main lift cylinders

[2003-08-08]

Huvudlyftcylindrar; Haupthubzylinder; Vérin de levage principal;

Duplex HiLo		696 SLL 12.5F	413816 -	
Pos	Description	Pcs	Part No	Note
01	Lifting cylinder compl(L = 1714 mm) Lyftcylinder kompl.; Hubzylinder Kompl.; Verin de levage compl.	2	140477-290	
01	Lifting cylinder compl(L = 1939 mm) Lyftcylinder kompl.; Hubzylinder Kompl.; Verin de levage compl.	2	140477-335	
01	Lifting cylinder compl(L = 2149 mm) Lyftcylinder kompl.; Hubzylinder Kompl.; Verin de levage compl.	2	140477-375	
01	Lifting cylinder compl(L = 2349 mm) Lyftcylinder kompl.; Hubzylinder Kompl.; Verin de levage compl.	2	140477-415	
02	Packing set Packningssats; Packungssatz; Jeux d' étanchéité.	2	143022	
03	Cylinder pipe Cylinderrör; Zylinderrohr; Tube de cylindre	2	141049-290	
03	Cylinder pipe Cylinderrör; Zylinderrohr; Tube de cylindre	2	141049-335	
03	Cylinder pipe Cylinderrör; Zylinderrohr; Tube de cylindre	2	141049-375	
03	Cylinder pipe Cylinderrör; Zylinderrohr; Tube de cylindre	2	141049-415	
05	Piston rod Kolvstång; Kolbenstange; Tige de piston	2	143020-290	
05	Piston rod Kolvstång; Kolbenstange; Tige de piston	2	143020-335	
05	Piston rod Kolvstång; Kolbenstange; Tige de piston	2	143020-375	
05	Piston rod Kolvstång; Kolbenstange; Tige de piston	2	143020-415	
11	Guide Styrning; Steuerung; Guidage	2	143021	
12	Locking ring Spärring; Schliessring; Circlip	2	141881	
13	Screw Skruv; Schraube; Vis	2	28308	
14	Washer Bricka; Scheibe; Rondelle	2	21393	
15	Stop screw Stoppskruv; Einstellschraube; Vis de arretoire	2	21346	
16	Shim(1 mm) Shims; Schim; Cale		105454	
17	Shim(0,5 mm) Shims; Schim; Cale		120531	
20	Plug Plugg; Pfropf; Bouchon	2	140594	
21	Restriction valve Sänkbromsventil; Drosselventil; Soupape de reduction	2	29626	
22	Plate Plåt; Platte; Plaque	2	139117	
23	Screw Skruv; Schraube; Vis	4	21935	
24	Washer Bricka; Scheibe; Rondelle	4	20404	
25	Locking plate Låsplåt; Schlussplatte; Lame de serrage	2	160447	
26	Screw Skruv; Schraube; Vis	2	28590	

6610-00159 Main lift cylinders

[2004-04-27]

Huvudlyftcylindrar; Haupthubzylinder; Vérin de levage principal;

Duplex Tele		697 SLL 16F	709318 -	
Pos	Description	Pcs	Part No	Note
01	Lifting cylinder compl Lyftcylinder kompl.; Hubzylinder Kompl.; Verin de levage compl.	2	216323-235	Lift height = 2350 mm Lyfthöjd = 2350 mm; Hubhöhe = 2350 mm; Hauteur d'élévation = 2350 mm
01	Lifting cylinder compl Lyftcylinder kompl.; Hubzylinder Kompl.; Verin de levage compl.	2	216323-285	Lift height = 2850 mm Lyfthöjd = 2850 mm; Hubhöhe = 2850 mm; Hauteur d'élévation = 2850 mm
01	Lifting cylinder compl Lyftcylinder kompl.; Hubzylinder Kompl.; Verin de levage compl.	2	216323-290	Lift height = 2900 mm Lyfthöjd = 2900 mm; Hubhöhe = 2900 mm; Hauteur d'élévation = 2900 mm
01	Lifting cylinder compl Lyftcylinder kompl.; Hubzylinder Kompl.; Verin de levage compl.	2	216323-335	Lift height = 3350 mm Lyfthöjd = 3350 mm; Hubhöhe = 3350 mm; Hauteur d'élévation = 3350 mm
01	Lifting cylinder compl Lyftcylinder kompl.; Hubzylinder Kompl.; Verin de levage compl.	2	216323-375	Lift height = 3750 mm Lyfthöjd = 3750 mm; Hubhöhe = 3750 mm; Hauteur d'élévation = 3750 mm
01	Lifting cylinder compl Lyftcylinder kompl.; Hubzylinder Kompl.; Verin de levage compl.	2	216323-415	Lift height = 4150 mm Lyfthöjd = 4150 mm; Hubhöhe = 4150 mm; Hauteur d'élévation = 4150 mm
11	Recondition set Renoveringssats; Renovierungssatz; Jeux a' renovation	2	160341	
12	Sealing kit(Piston) Tätningssats(Kolv); Dichtungssatz(Kolben); Jeux d' étanchéité(Piston)	2	160018	
13	Ring Ring; Ring; Bague	2	155841	
14	Locking ring Spärring; Schliessring; Circlip	2	20008	
15	Shim(1 mm) Shims; Schim; Cale		105454	
16	Shim(0,5 mm) Shims; Schim; Cale		120531	
17	Stop screw Stoppskruv; Einstellschraube; Vis de arrettoire	2	21346	
18	Screw Skruv; Schraube; Vis	4	28308	
19	Washer Bricka; Scheibe; Rondelle	4	21393	
20	Screw Skruv; Schraube; Vis	4	21935	
21	Washer Bricka; Scheibe; Rondelle	4	20404	
22	Bracket Fäste; Halterung; Support	2	120492	
23	Washer Bricka; Scheibe; Rondelle	2	126723-004	
24	Screw Skruv; Schraube; Vis	2	28709	
25	Locking pin Spännstift; Spannstift; Goupille	2	21316	

6620-00003 Free lift cylinders

[2003-04-30]

Frilyftscylinder; Freihubzylinder; Vérin de levée libre;

Duplex HiLo		697 SLL 16F	413816 -	
Pos	Description	Pcs	Part No	Note
01	Cylinder compl.(L = 775 mm) Cylinder kompl.; Zylinder kompl.; Verin compl.	1	152729-235	Lift height = 2350 mm Lyfthöjd = 2350 mm; Hubhöhe = 2350 mm; Hauteur d'élévation = 2350 mm
01	Cylinder compl.(L = 912 mm) Cylinder kompl.; Zylinder kompl.; Verin compl.	1	152729-290	Lift height = 2900 mm Lyfthöjd = 2900 mm; Hubhöhe = 2900 mm; Hauteur d'élévation = 2900 mm
01	Cylinder compl.(L = 1025 mm) Cylinder kompl.; Zylinder kompl.; Verin compl.	1	152729-335	Lift height = 3350 mm Lyfthöjd = 3350 mm; Hubhöhe = 3350 mm; Hauteur d'élévation = 3350 mm
01	Cylinder compl.(L = 1125 mm) Cylinder kompl.; Zylinder kompl.; Verin compl.	1	152729-375	Lift height = 3750 mm Lyfthöjd = 3750 mm; Hubhöhe = 3750 mm; Hauteur d'élévation = 3750 mm
01	Cylinder compl.(L = 1225 mm) Cylinder kompl.; Zylinder kompl.; Verin compl.	1	152729-415	Liftheigt = 4150 mm Lyfthöjd = 4150 mm; Hubhöhe = 4150 mm; Hauteur d'élévation = 4150 mm
02	Packing set Packningssats; Packungssatz; Jeux d' étanchéité.	1	152988	
03	Cylinder pipe Cylinderrör; Zylinderrohr; Tube de cylindre	1	152990-235	
03	Cylinder pipe Cylinderrör; Zylinderrohr; Tube de cylindre	1	152990-290	
03	Cylinder pipe Cylinderrör; Zylinderrohr; Tube de cylindre	1	152990-335	
03	Cylinder pipe Cylinderrör; Zylinderrohr; Tube de cylindre	1	152990-375	
03	Cylinder pipe Cylinderrör; Zylinderrohr; Tube de cylindre	1	152990-415	
04	Piston Kolv; Kolben; Piston	1	152989	
05	Piston rod Kolvstång; Kolbenstange; Tige de piston	1	139988-235	
05	Piston rod Kolvstång; Kolbenstange; Tige de piston	1	139988-290	
05	Piston rod Kolvstång; Kolbenstange; Tige de piston	1	139988-335	
05	Piston rod Kolvstång; Kolbenstange; Tige de piston	1	139988-375	
05	Piston rod Kolvstång; Kolbenstange; Tige de piston	1	139988-415	
13	Cylinder top Cylindertopp; Zylinderkopf; Culasse	1	152991	
17	Locking ring Spärring; Schliessring; Circlip	1	20019	
18	Valve Ventil; Ventil; Soupape	1	27182	
19	Air bleeder Luftventil; Luftnippel; Soupape (air)	1	24325	
20	Screw Skruv; Schraube; Vis	2	20996	

7100-00029 Main mast

[2003-04-30]

Huvudstativ/-mast; Haupthubgerüst/-mast; Mât principal;

Triplex Hi - Lo			697 SLL 16F	413816 -
Pos	Description	Pcs	Part No	Note
11	Chain wheel(Complete) Kedjehjul(Komplett); Kettenrad(Komplett); Roue de chaine(Comple)	1	176013	
13	Distance piece Distans; Distanz; Distance	2	101237	
17	Roller Rulle; Rolle; Roleau	1	101339	
18	Bush Bussning; Bague; Bague	1	126883-002	
19	Washer Bricka; Scheibe; Rondelle	1	20013	
20	Locking ring Spårring; Schliessring; Circlip	1	20019	
21	Chain wheel(Complete) Kedjehjul(Komplett); Kettenrad(Komplett); Roue de chaine(Comple)	2	176012	
25	Locking ring Spårring; Schliessring; Circlip	2	20076	
26	Distance piece Distans; Distanz; Distance	2	101341	
27	Axle Axel; Achse; Axe	2	137853	
28	Screw Skruv; Schraube; Vis	2	28835	
31	Distance piece(30 x 42 x 0,1) Distans; Distanz; Distance		21881	
31	Distance piece(30 x 42 x 0,2) Distans; Distanz; Distance		21882	
31	Distance piece(30 x 42 x 0,3) Distans; Distanz; Distance		21883	
31	Distance piece(30 x 42 x 0,5) Distans; Distanz; Distance		21884	
31	Distance piece(30 x 42 x 1,0) Distans; Distanz; Distance		21885	
32	Roller(A = 78,2 mm, marked A) Rulle(A = 78,2 mm, märkt A); Rolle(A = 78,2 mm, marke A); Roleau(A = 78,2 mm, marqué A)	4	101423	
32	Roller(A = 78,6 mm, marked B) Rulle(A = 78,6 mm, märkt B); Rolle(A = 78,6 mm, marke B); Roleau(A = 78,6 mm, marqué B)		126011	
32	Roller(A = 78 mm, marked C) Rulle(A = 78 mm, märkt C); Rolle(A = 78 mm, marke C); Roleau(A = 78 mm, marqué C)		127698	
33	Chain wheel(Complete) Kedjehjul(Komplett); Kettenrad(Komplett); Roue de chaine(Comple)	1	176013	
34	Distance piece Distans; Distanz; Distance	2	101237	
39	Wheel fork Hjulgaffel; Radgabel; Fourche de roue	1	139067	
40	Locking pin Spännstift; Spannstift; Goupille	1	21316	
41	Axle Axel; Achse; Axe	1	101298	
42	Washer Bricka; Scheibe; Rondelle	1	20236	
43	Screw Skruv; Schraube; Vis	1	23006	
44	Screw Skruv; Schraube; Vis	1	28708	
45	Washer Bricka; Scheibe; Rondelle	1	126723-006	
46	Chain complete Kedja komplett; Ketten komplett ; Chaine complete	1	177550-335	Lift height = 3350 mm Lyfthöjd = 3350 mm; Hubhöhe = 3350 mm; Hauteur d'élévation = 3350 mm

7420-00042 Fork carriage unit, integrated sideshift, fork spread

[2003-05-26]

Gaffelvagn med sideshift/gaffelspridning; Gabelwagen/-mit Seitenschieber/Zinkenverstellung;

Tablier porte-fourches/de déplacement latéral, écarteur de fourche intégré;

			696 SLL 12.5F	413816 -
Pos	Description	Pcs	Part No	Note
11	Fork carriage(L = 1150 mm, W = 520 mm) Gaffelvagn; Gabelwagen; Chariot porte-fourche	1	159343-112	Duplex Tele & Simplex
11	Fork carriage(L = 1150 mm, W = 570 mm) Gaffelvagn; Gabelwagen; Chariot porte-fourche	1	159343-212	Duplex Tele & Simplex
11	Fork carriage(L = 1150 mm, W = 520 mm) Gaffelvagn; Gabelwagen; Chariot porte-fourche	1	159344-112	Duplex HiLo
11	Fork carriage(L = 1150 mm, W = 570 mm) Gaffelvagn; Gabelwagen; Chariot porte-fourche	1	159344-212	Duplex HiLo
11	Fork carriage(L = 1150 mm, W = 520 mm) Gaffelvagn; Gabelwagen; Chariot porte-fourche	1	159345-112	Triplex Hi-Lo
11	Fork carriage(L = 1150 mm, W = 570 mm) Gaffelvagn; Gabelwagen; Chariot porte-fourche	1	159345-212	Triplex Hi-Lo
12	Roller(69,95 mm) Rulle; Rolle; Roleau		139126	B = One identification groove B = Ett idifieringsspår; B = Ein identifi- zierung nut; B = 1 identification rainure
12	Roller(70,4 mm) Rulle; Rolle; Roleau		139127	B = 2 identification groove B = 2 idifieringsspår; B = 2 identifi- zierung nut; B = 2 identification rainure
13	Shim(25x35x0,1 mm) Shims; Schim; Cale		26471	Pcs as needed Antal efter behov; Anzhaul nach bedarf; Nombre éligible
13	Shim(25x35x0,3 mm) Shims; Schim; Cale		26472	Pcs as needed Antal efter behov; Anzhaul nach bedarf; Nombre éligible
13	Shim(25x35x0,5 mm) Shims; Schim; Cale		26473	Pcs as needed Antal efter behov; Anzhaul nach bedarf; Nombre éligible
13	Shim(25x35x1 mm) Shims; Schim; Cale		29585	Pcs as needed Antal efter behov; Anzhaul nach bedarf; Nombre éligible

CLICK HERE TO **DOWNLOAD** THE COMPLETE MANUAL

- Thank you very much for reading the preview of the manual.
- You can download the complete manual from: www.heydownloads.com by clicking the link below



- Please note: If there is no response to CLICKING the link, please download this PDF first and then click on it.

CLICK HERE TO **DOWNLOAD** THE COMPLETE MANUAL