

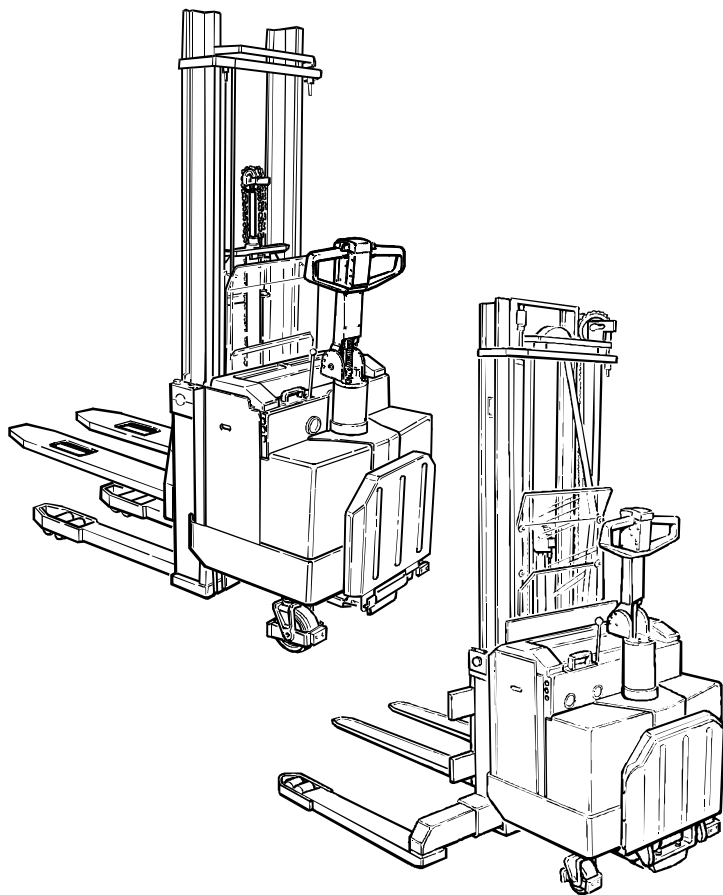
TOYOTA

Powered Pallet Stacker SLL 12.5 SLL 13.5S

Valid for machine number: 413816 AT-

Only valid for machine number:

--	--	--	--	--	--	--



Spare Parts Catalogue

Ordering number 181496

Date 2001-05-07 / ESID

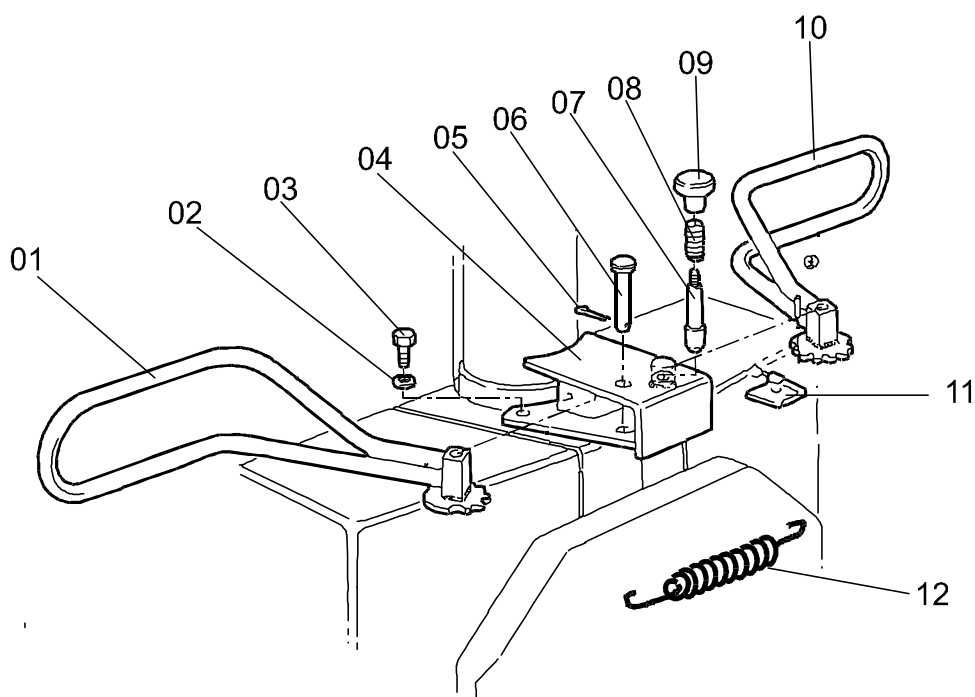
CLICK HERE TO **DOWNLOAD** THE COMPLETE MANUAL

- Thank you very much for reading the preview of the manual.
- You can download the complete manual from: www.heydownloads.com by clicking the link below



- Please note: If there is no response to CLICKING the link, please download this PDF first and then click on it.

CLICK HERE TO **DOWNLOAD** THE COMPLETE MANUAL



0840-021 Driver protection

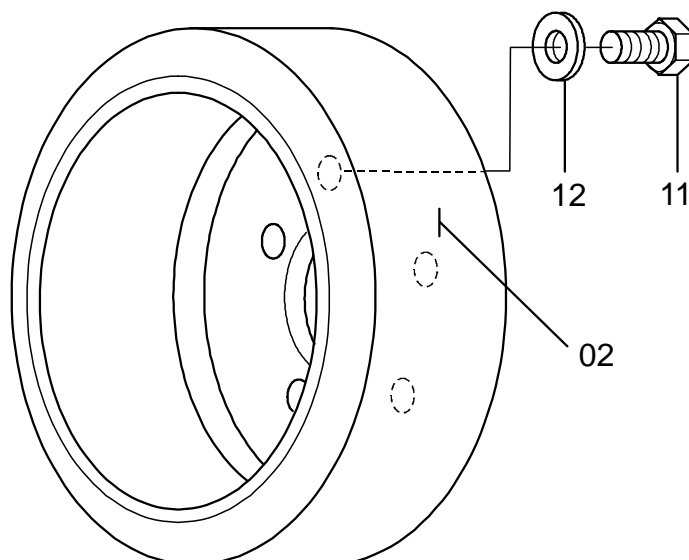
Förarskydd; Fahrerschutz; Protection de cariste

[2001-05-07]

Pos	Description	Pcs	Part No	Note
			694 SLL 12.5 695 SLL 13.5S	413816 - 413816 -
01	Gate(Left) Grind(Vänster); Schranke(Links); Barrière(Gauche)	1	127043	
02	Washer Bricka; Scheibe; Rondelle	2	21394	
03	Screw Skruv; Schraube; Vis	2	21816	
04	Consol Konsol; Konsole; Console	1	152313	
05	Split pin Håmålssprint; Splint; Goupiller	2	179801	
06	Pin Tapp; Zapfen; Pivot	2	28477	
07	Lock plunger Låskolv; Schlossriegel; Fermeture	1	127052	
08	Spring Fjäder; Feder; Ressort	1	24055	
09	Knob Knopp; Knopf; Bouton	1	127053-002	
10	Gate(Right) Grind(Höger); Schranke(Recht); Barrière(Droit)	1	127044	
11	Clamp Klamma; Rohrschelle; Collier	2	127523	
12	Spring Fjäder; Feder; Ressort	1	29954	

3530-019

P0008089



3530-019 Drive wheel

Drivhjul; Antriebsrad; Roue motrice

[2001-05-07]

Pos	Description	Pcs	Part No	Note
			694 SLL 12.5 695 SLL 13.5S	413816 - 413816 -
02	Drive wheel(Grooved) Drivhjul(Sajpad); Antriebsrad(Gemustert); Roue entrainement(Sculpture)	1	121023-001	Rubber Gummi; Gummi; Gomme
02	Drive wheel(Elastomer) Drivhjul; Antriebsrad; Roue entrainement	1	127352	
02	Drive wheel(Vulkollan) Drivhjul; Antriebsrad; Roue entrainement	1	129920	Standard design Standardutförande; Normalausrüstung
02	Drive wheel(Tractothan) Drivhjul; Antriebsrad; Roue entrainement	1	143308	
02	Drive wheel(Rubber) Drivhjul(Gummi); Antriebsrad(Gummi); Roue entrainement(Gomme)	1	147214	
11	Screw Skruv; Schraube; Vis	5	110803	
12	Washer Bricka; Scheibe; Rondelle	5	21393	

5390-076 Driving function harnesses/ fuse

[2001-05-07]

Åkfunktionskablage/-säkring; Verkabelung, Sicherung Fahrfunktion; Câblage/ fusible fonction de déplacement

Pos	Description	Pcs	Part No	Note
			694 SLL 12.5 695 SLL 13.5S	413816 - 413816 -
11	Wiring harness Kablage; Kabelsatz; Câblage	1	150312	
12	Wiring harness Kablage; Kabelsatz; Câblage	1	149312	
13	Wiring harness Kablage; Kabelsatz; Câblage	1	149318	Powertrac
14	Wiring harness Kablage; Kabelsatz; Câblage	1	155858	8 km / h
15	Wiring harness Kablage; Kabelsatz; Câblage	1	149313	
16	Wiring harness(Including magnetic switch) Kablage(Inklusive magnetbrytare); Kabelsatz(Inklusive Magnetschalter); Câblage(Inclus Rupteur de bobine)	1	155624	8 km / h
17	Wiring harness Kablage; Kabelsatz; Câblage	1	149314	6 km/h
17	Wiring harness Kablage; Kabelsatz; Câblage	1	166329	8 km / h
18	Wiring harness Kablage; Kabelsatz; Câblage	1	149316-001	Machine without driver platform Maskin utan förarplattform; Maschine exkl. Fahrerplattform; Machine excl. plateforme du conducteur
18	Wiring harness Kablage; Kabelsatz; Câblage	1	149316-002	Machine with driver platform Maskin med förarplattform; Maschine mit Fahrerplattform; Machine avec plateforme du conducteur

CLICK HERE TO **DOWNLOAD** THE COMPLETE MANUAL

- Thank you very much for reading the preview of the manual.
- You can download the complete manual from: www.heydownloads.com by clicking the link below



- Please note: If there is no response to CLICKING the link, please download this PDF first and then click on it.

CLICK HERE TO **DOWNLOAD** THE COMPLETE MANUAL

6320-002 Mast hydraulic lines

[2001-05-07]

Stativhydraulledningar; Hydraulikleitungen Hubeinrichtung; Circuits hydrauliques mât

<i>Simplex</i>		694 SLL 12.5 695 SLL 13.5S	413816 - 413816 -	
Pos	Description	Pcs	Part No	Note
11	Pipe Rör; Rohr; Tube	1	139118	
12	Connection Koppling; Kupplung; Raccord	1	29532	
13	Connection Koppling; Kupplung; Raccord	2	28781	
14	Connection Koppling; Kupplung; Raccord	2	28801	
15	Restriction valve Sänkbromsventil; Drosselventil; Soupape de reduction	1	29671	
16	Connection Koppling; Kupplung; Raccord	1	28781	
17	Connection Koppling; Kupplung; Raccord	1	28801	
18	Connection Koppling; Kupplung; Raccord	1	29532	
19	Pipe Rör; Rohr; Tube	1	140472	
20	Connector unit Kopplingsstycke; Kupplungsstück; Raccordement	1	101292	
21	Screw Skruv; Schraube; Vis	1	25065	
22	Hose(Meter) Slang(Meter); Schlauch(Meter); Tuyau flexible(Metre)		28108	
23	Connection Koppling; Kupplung; Raccord	2	21994	
24	Connection Koppling; Kupplung; Raccord	1	28801	
25	Sealing ring Tätningring; Dichtungsring; Bague d'étanchéité	1	20517	

6610-003 Main lift cylinders

[2001-05-07]

Huvudlyftcylindrar; Haupthubzylinder; Vérin de levage, principal

Simplex		694 SLL 12.5 695 SLL 13.5S	413816 - 413816 -	
Pos	Description	Pcs	Part No	Note
01	Lifting cylinder compl(L = 1008 mm) Lyftcylinder kompl.; Hubzylinder Kompl.; Verin de levage compl.	2	149404-150	
01	Lifting cylinder compl(L = 1121 mm) Lyftcylinder kompl.; Hubzylinder Kompl.; Verin de levage compl.	2	149404-170	
01	Lifting cylinder compl(L = 1326 mm) Lyftcylinder kompl.; Hubzylinder Kompl.; Verin de levage compl.	2	149404-210	
02	Packing set Packningssats; Packungssatz; Jeux d' étanchéité.	1	140626	
03	Locking pin Spännstift; Spannstift; Goupille	1	20461	
04	Piston rod(L = 1008 mm) Kolvstång; Kolbenstange; Tige de piston	1	149424-150	
04	Piston rod(L = 1121 mm) Kolvstång; Kolbenstange; Tige de piston	1	149424-170	
04	Piston rod(L = 1326 mm) Kolvstång; Kolbenstange; Tige de piston	1	149424-210	
05	Screw Skruv; Schraube; Vis	1	28708	
06	Washer Bricka; Scheibe; Rondelle	1	126723-006	
07	Guide Styrning; Steuerung; Guidage	1	140648	
08	Locking ring Spårring; Schliessring; Circlip	1	141882	
09	Ring Ring; Ring; Bague	1	140647	
10	Cylinder pipe(L = 1008 mm) Cylinderrör; Zylinderrohr; Tube de cylindre	1	145757-150	
10	Cylinder pipe(L = 1121 mm) Cylinderrör; Zylinderrohr; Tube de cylindre	1	145757-170	
10	Cylinder pipe(L = 1326 mm) Cylinderrör; Zylinderrohr; Tube de cylindre	1	145757-210	
11	Restriction valve Sänkbromsventil; Drosselventil; Soupape de reduction	1	24154	
12	Shim(1 mm) Shims; Schim; Cale		105454	
13	Shim(0,5 mm) Shims; Schim; Cale		120531	
14	Washer Bricka; Scheibe; Rondelle	1	21393	
15	Screw Skruv; Schraube; Vis	1	28308	
16	Stop screw Stoppskruv; Einstellschraube; Vis de arretoire	1	21346	

7100-002 Main mast

[2001-05-07]

Huvudstativ/-mast; Haupthubgerüst/-mast; Mât principal

Simplex		694 SLL 12.5 695 SLL 13.5S	413816 - 413816 -	
Pos	Description	Pcs	Part No	Note
11	Chain wheel(Complete) Kedjehjul(Komplett); Kettenrad(Komplett); Roue de chaine(Complett)	2	133338	
12	Roller Rulle; Rolle; Roleau	1	133337	
13	Sealing ring Tätningring; Dichtungsring; Bague d'étanchéité	2	20902	
14	Bearing Lager; Lager; Roulement	1	26939	
15	Locking ring Spårring; Schliessring; Circlip	1	20076	
16	Distance piece Distans; Distanz; Distance	2	101341	
17	Axle Axel; Achse; Axe	2	137853	Left Vänster; Links; Gauge
18	Screw Skruv; Schraube; Vis	2	23006	
19	Washer Bricka; Scheibe; Rondelle	2	20236	
20	Chain complete(L = 1048 mm) Kedja komplett; Ketten komplett ; Chaine complete	2	146159-150	
20	Chain complete(L = 1181 mm) Kedja komplett; Ketten komplett ; Chaine complete	2	146159-170	
20	Chain complete(L = 1391 mm) Kedja komplett; Ketten komplett ; Chaine complete	2	146159-210	
21	Anchor bolt Fästbult; Ankerbolzen; Boulon de fixation	2	100839	
22	Cotter pin Saxpinne; Gespalter stift; Goupille fendue	4	21445	
23	Washer Bricka; Scheibe; Rondelle	4	20404	
24	Chain bolt Kedjebult; Kettenbolzen; Tourillon de chaine	2	105814	
25	Washer Bricka; Scheibe; Rondelle	2	21431	
26	Nut Mutter; Mutter; Ecrou	2	20006	
27	Nut Mutter; Mutter; Ecrou	2	20528	
28	Cotter pin Saxpinne; Gespalter stift; Goupille fendue	2	20312	
29	Consol Konsol; Konsole; Console	2	137849	

CLICK HERE TO **DOWNLOAD** THE COMPLETE MANUAL

- Thank you very much for reading the preview of the manual.
- You can download the complete manual from: www.heydownloads.com by clicking the link below



- Please note: If there is no response to CLICKING the link, please download this PDF first and then click on it.

CLICK HERE TO **DOWNLOAD** THE COMPLETE MANUAL