

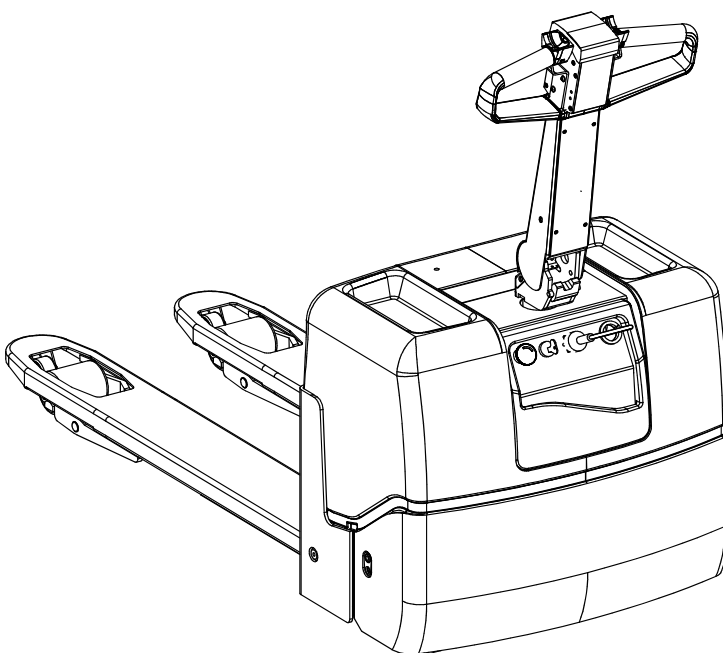
TOYOTA

Powered Pallet Truck PP13

Valid for machine number: 914369 -

Only valid for machine number:

--	--	--	--	--	--	--	--



Spare Parts Catalogue

Ordering number226046

Date2005-09-23/ITS

CLICK HERE TO **DOWNLOAD** THE COMPLETE MANUAL

- Thank you very much for reading the preview of the manual.
- You can download the complete manual from: www.heydownloads.com by clicking the link below



- Please note: If there is no response to CLICKING the link, please download this PDF first and then click on it.

CLICK HERE TO **DOWNLOAD** THE COMPLETE MANUAL

0380-00441 Fork frame (low lifters)

[2005-09-12]

Gaffelstomme (låglyftare); Gabelchassis (Niederhubwagen); Châssis (transpalettes);

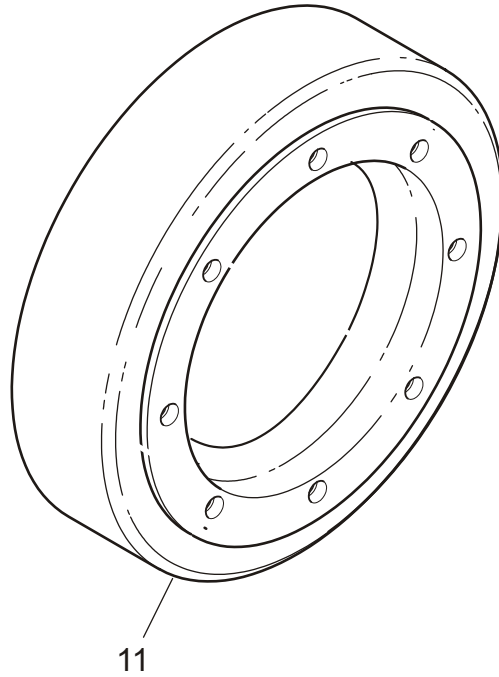
Single wheel 85 mm; Singelhjul 85 mm; Einzelrad 85 mm; Roue simple 85 mm		675 PP13	722292 -	
Pos	Description	Pcs	Part No	Note
11	Fork carriage complete Gaffelvagn komplett; Gabelvagen Komplett; Chariot porte-fourche complet	1	208112-010	l = 910 mm, b5 = 450 mm
11	Fork carriage complete Gaffelvagn komplett; Gabelvagen Komplett; Chariot porte-fourche complet	1	208112-020	l = 1000 mm, b5 = 450 mm
11	Fork carriage complete Gaffelvagn komplett; Gabelvagen Komplett; Chariot porte-fourche complet	1	208112-025	l = 1070 mm, b5 = 450 mm
11	Fork carriage complete Gaffelvagn komplett; Gabelvagen Komplett; Chariot porte-fourche complet	1	208112-030	l = 1150 mm, b5 = 450 mm
11	Fork carriage complete Gaffelvagn komplett; Gabelvagen Komplett; Chariot porte-fourche complet	1	208112-035	l = 1220 mm, b5 = 450 mm
11	Fork carriage complete Gaffelvagn komplett; Gabelvagen Komplett; Chariot porte-fourche complet	1	208112-110	l = 910 mm, b5 = 520 mm
11	Fork carriage complete Gaffelvagn komplett; Gabelvagen Komplett; Chariot porte-fourche complet	1	208112-120	l = 1000 mm, b5 = 520 mm
11	Fork carriage complete Gaffelvagn komplett; Gabelvagen Komplett; Chariot porte-fourche complet	1	208112-125	l = 1070 mm, b5 = 520 mm
11	Fork carriage complete Gaffelvagn komplett; Gabelvagen Komplett; Chariot porte-fourche complet	1	208112-130	l = 1150 mm, b5 = 520 mm
11	Fork carriage complete Gaffelvagn komplett; Gabelvagen Komplett; Chariot porte-fourche complet	1	208112-135	l = 1220 mm, b5 = 520 mm
11	Fork carriage complete Gaffelvagn komplett; Gabelvagen Komplett; Chariot porte-fourche complet	1	208112-210	l = 910 mm, b5 = 685 mm
11	Fork carriage complete Gaffelvagn komplett; Gabelvagen Komplett; Chariot porte-fourche complet	1	208112-220	l = 1000 mm, b5 = 685 mm
11	Fork carriage complete Gaffelvagn komplett; Gabelvagen Komplett; Chariot porte-fourche complet	1	208112-225	l = 1070 mm, b5 = 685 mm
11	Fork carriage complete Gaffelvagn komplett; Gabelvagen Komplett; Chariot porte-fourche complet	1	208112-230	l = 1150 mm, b5 = 685 mm
11	Fork carriage complete Gaffelvagn komplett; Gabelvagen Komplett; Chariot porte-fourche complet	1	208112-235	l = 1220 mm, b5 = 685 mm
12	Ear Öra; Halter; Etrier	2	138209	
13	Ear Öra; Halter; Etrier	2	138210	
14	Axle Axel; Achse; Axe	1	165892	
15	Screw Skruv; Schraube; Vis	1	29668	
16	Locking pin Spännstift; Spannstift; Goupille	2	20001	
17	Axle Axel; Achse; Axe	2	126131	
18	Wheel fork(Complete) Hjulgaffel(Komplett); Radgabel(Komplett); Fourche de roue(Complet)	2	130685	
19	Bush Bussning; Bague; Bague	4	47117	
20	Push rod Tryckstång; Druckstange; Tringle	2	179231-091	l = 910 mm
20	Push rod Tryckstång; Druckstange; Tringle	2	179231-100	l = 1000 mm
20	Push rod Tryckstång; Druckstange; Tringle	2	179231-107	l = 1070 mm
20	Push rod Tryckstång; Druckstange; Tringle	2	179231-115	l = 1150 mm
20	Push rod Tryckstång; Druckstange; Tringle	2	179231-122	l = 1220 mm
21	Bush Bussning; Bague; Bague	4	30023	
22	Greasing nipple Smörjnippel; Smiernippel; Graisseur	6	27662	

0850-00407 Signs, warnings, decals

[2005-09-23]

Skyltar, varningar, dekaler; Schilder, Warnzeichen, Aufkleber; Vignettes, avertissements, autocollants;

			675 PP13	914369 -
Pos	Description	Pcs	Part No	Note
11	Sign Skylt; Schild; Vignette	2	168388	
12	Sign Skylt; Schild; Vignette	1	201025	
13	Sign Skylt; Schild; Vignette	2	152027	
14	Sign Skylt; Schild; Vignette	1	161150	
15	Sign Skylt; Schild; Vignette	1	72082	
16	Sign Skylt; Schild; Vignette	1	148227	
17	Sign Skylt; Schild; Vignette	1	148223	
18	Sign Skylt; Schild; Vignette	1	148642	

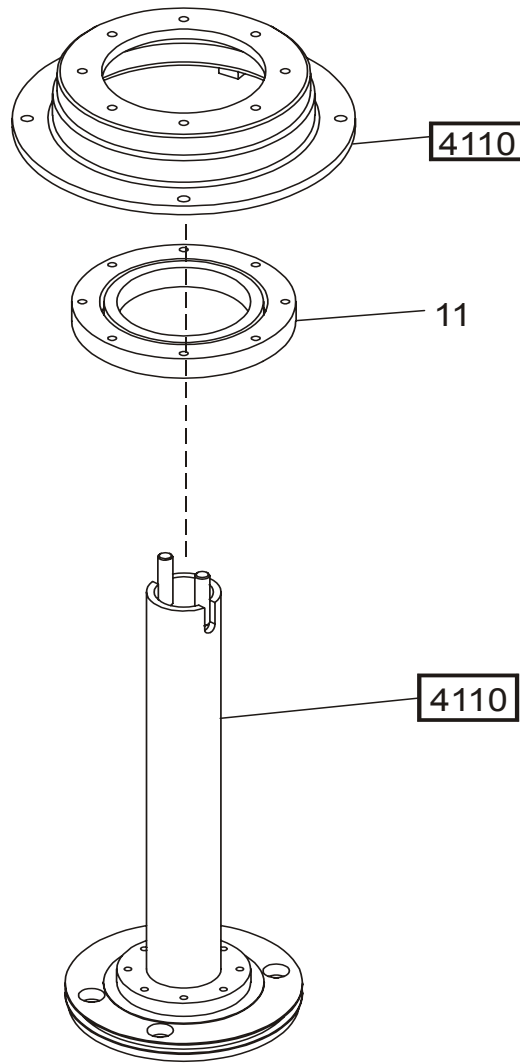


3530-00059 Drive wheel

[2005-09-09]

Drivhjul; Antriebsrad; Roue motrice;

			675 PP13	553268 -
Pos	Description	Pcs	Part No	Note
11	Drive wheel Drivhjul; Antriebsrad; Roue entrainement	1	201801	
11	Drive wheel(Anti-static) Drivhjul(Antistatisk); Antriebsrad(Antistatisch); Roue entrainement(Antistatique)	1	208155	Anti-static Antistatisk; Antistatisch ; Antistatique



4180-00018 Steering bearings, radial bearing

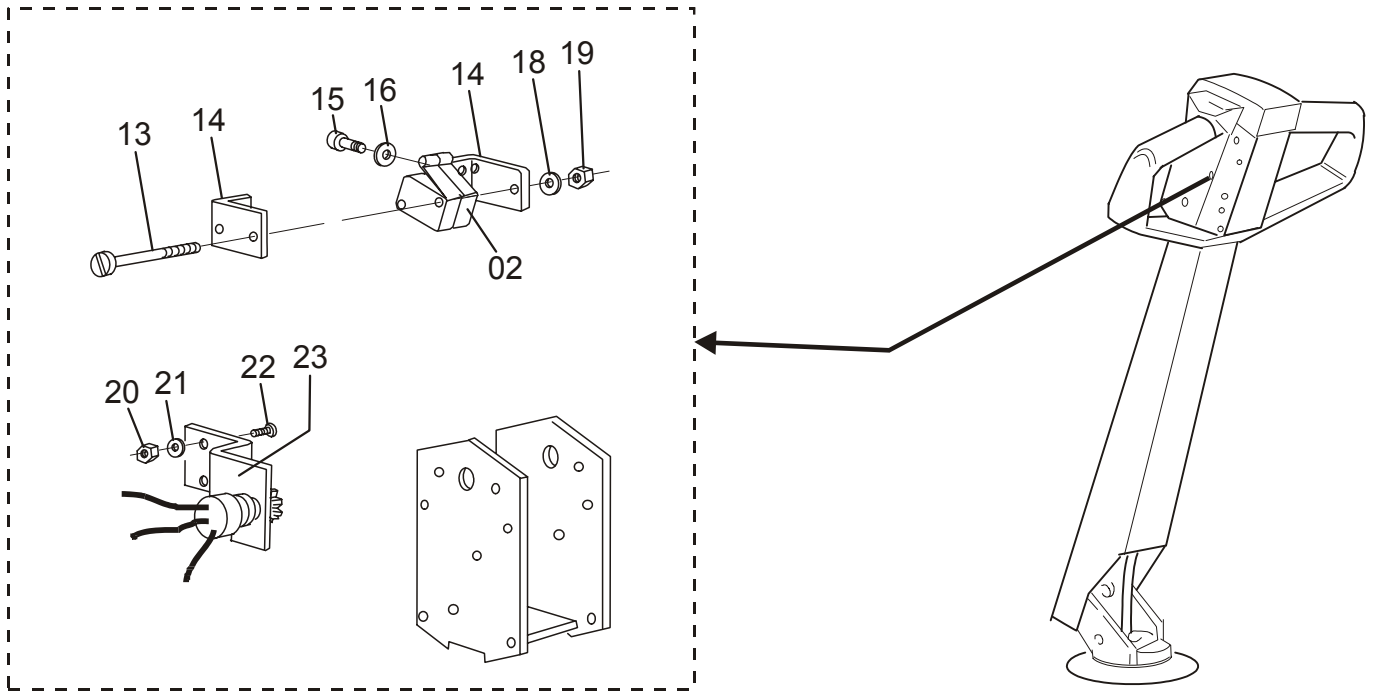
[2005-09-09]

Styrlagring/-krans; Führungslagerung, Lenkkranz; Paliers de direction, paliers radials;

Pos	Description	Pcs	Part No	Note
11	Steering bearing Styrlager; Steuerlager; Roulement de commande	1	180189	

5330-00050

P0013300



5330-00050 Speed control

Fartreglering; Geschwindigkeitsregelung; Régulateur de vitesse;

[2005-09-09]

			675 PP13	435280 -
Pos	Description	Pcs	Part No	Note
02	Micro switch Mikrobrytare; Mikroschalter; Interrupteurs	2	156279	
13	Screw Skruv; Schraube; Vis	2	20720	
14	Bracket Fäste; Halterung; Support	1	134065	
15	Screw Skruv; Schraube; Vis	4	21134	
16	Washer Bricka; Scheibe; Rondelle	4	21392	
18	Washer Bricka; Scheibe; Rondelle	2	21392	
19	Nut Mutter; Mutter; Ecrou	2	20255	
20	Nut Mutter; Mutter; Ecrou	2	20235	
21	Washer Bricka; Scheibe; Rondelle	2	20236	
22	Screw Skruv; Schraube; Vis	2	24354	
23	Potentiometer(Complete) Potentiometer(Komplett); Potentiometer(Komplett); Potentiometre(Comple)	1	166303	

6100-00084 Hydraulic unit

[2005-09-12]

Hydraulaggregat; Hydraulikaggregat; Unité hydraulique;

			675 PP13	435280 -
Pos	Description	Pcs	Part No	Note
01	Pump unit compl. Pumpenhet kompl.; Pumpeinheit kompl.; Unite de pompe compl.	1	177825	
02	Packing set Packningssats; Packungssatz; Jeux d' étanchéité.	1	163860	
11	Pressure reducing valve Tryckbegränsningsventil; Druckreduzierventil; Soupape de réglage de pression	1	163856	
12	Non return valve Backventil; Rückschlagklappe; Clapet de retenue	1	163857	
13	Pump Pump; Pump; Pumpe	1	163847	
14	Clamp Klamma; Rohrschelle; Collier	1	163852	
15	Filter Filter; Filter; Filtre	1	163853	
16	Valve unit Ventilblock; Ventileinheit; Soupape unit	1	163855	
17	Valve Ventil; Ventil; Soupape	1	163861	
18	Magnet valve Magnetventil; Magnetventil; Distributeur électromagnétique	1	163858	
19	Cover Lock; Deckel; Couvercle	1	163854	
20	Filler tube Påfyllningsrör; Füllstutzen; Tuyau de remplissage	1	163851	
21	Tank Tank; Behälter; Reservoir	1	172539	
22	Screw Skruv; Schraube; Vis	2	20439	

CLICK HERE TO **DOWNLOAD** THE COMPLETE MANUAL

- Thank you very much for reading the preview of the manual.
- You can download the complete manual from: www.heydownloads.com by clicking the link below



- Please note: If there is no response to CLICKING the link, please download this PDF first and then click on it.

CLICK HERE TO **DOWNLOAD** THE COMPLETE MANUAL