

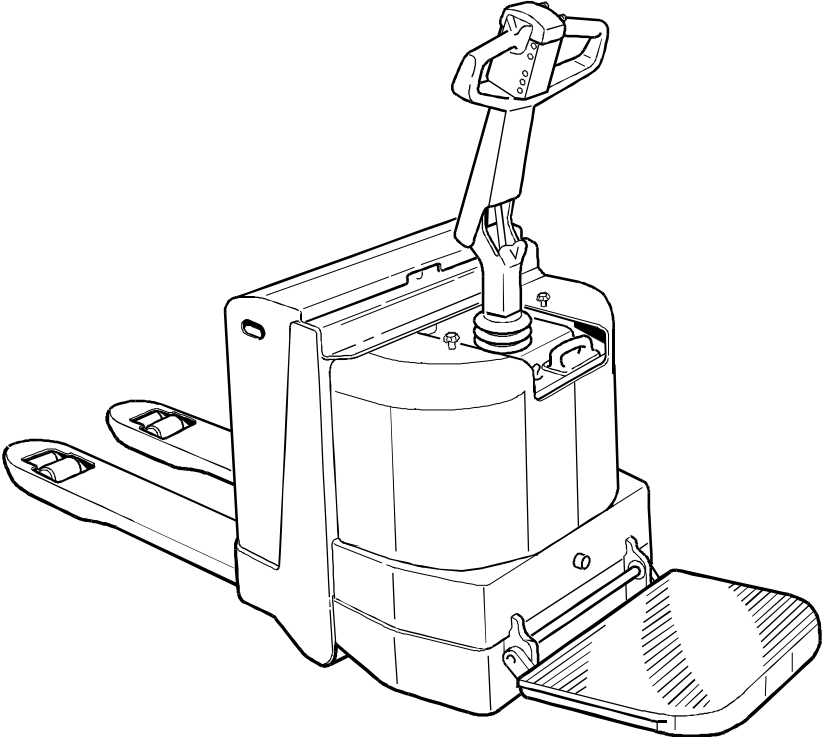
# TOYOTA

## Powered pallet truck PML 20

Valid for machine number: 350497AT-

Only valid for machine number:

--	--	--	--	--	--	--



## Spare Parts Catalogue

Ordering number ..... 174380

Date ..... 1999-11-27 / ESDJ

CLICK HERE TO **DOWNLOAD** THE COMPLETE MANUAL

- Thank you very much for reading the preview of the manual.
- You can download the complete manual from: [www.heydownloads.com](http://www.heydownloads.com) by clicking the link below



- Please note: If there is no response to CLICKING the link, please download this PDF first and then click on it.

CLICK HERE TO **DOWNLOAD** THE COMPLETE MANUAL

**0380-044 Fork frame (low lifters)**

[1997-11-21]

Gaffelstomme (låglyftare); Gabelchassis (Niederhubwagen); Châssis (transpalettes)

			599 PML 20	335439 -
Pos	Description	Pcs	Part No	Note
04	Torsion tube compl(b5=450 mm) Vridrör kompl; Drehrohr Kompl; Levier de tringle compl	1	150918-001	
04	Torsion tube compl(b5=520 mm) Vridrör kompl; Drehrohr Kompl; Levier de tringle compl	1	150918-002	
04	Torsion tube compl(b5=550 mm) Vridrör kompl; Drehrohr Kompl; Levier de tringle compl	1	150918-003	
04	Torsion tube compl(b5=570 mm) Vridrör kompl; Drehrohr Kompl; Levier de tringle compl	1	150918-004	
04	Torsion tube compl(b5=685 mm) Vridrör kompl; Drehrohr Kompl; Levier de tringle compl	1	150918-005	
16	Locking pin Spännstift; Spannstift; Goupille	2	27921	
17	Axle Axel; Achse; Axe	2	154109	
17	Axle(Stainless Steel) Axel(Rostfri); Achse(Nichtrostende); Axe(Inoxydable)	2	154110	
18	Bush Bussning; Bague; Bague	2	140168	
19	Bush Bussning; Bague; Bague	2	140168	
20	Bush Bussning; Bague; Bague	2	146933	
21	Axle Axel; Achse; Axe	1	146954	
21	Axle(Stainless Steel) Axel(Rostfri); Achse(Nichtrostende); Axe(Inoxydable)	1	146986	
22	Screw Skruv; Schraube; Vis	1	29768	
23	Screw Skruv; Schraube; Vis	2	29522	
24	Axle Axel; Achse; Axe	2	134521	
25	Bush Bussning; Bague; Bague	2	140173	
26	Axle Axel; Achse; Axe	2	134446	
26	Axle(Stainless Steel) Axel(Rostfri); Achse(Nichtrostende); Axe(Inoxydable)	2	136859	
27	Cotter pin Saxpinne; Gespalter stift; Goupille fendue	2	20313	
28	Link Länk; Gelenk; Bras	1	156703	
29	Bush Bussning; Bague; Bague	4	140173	
30	Washer Bricka; Scheibe; Rondelle	2	20013	
31	Locking ring Spårring; Schliessring; Circlip	2	29793	
32	Axle Axel; Achse; Axe	2	76313-001	
33	Washer Bricka; Scheibe; Rondelle	4	20404	

**0850-105 Signs, warnings, decals**

[1999-03-23]

Skyltar, varningar, dekaler; Schilder, Warnzeichen, Aufkleber; Vignettes, avertissements, autocollants

			599 PML 20	335439 -
Pos	Description	Pcs	Part No	Note
11	Sign Skylt; Schild; Vignette	1	148224	
12	Sign Skylt; Schild; Vignette	1	148225	
13	Sign Skylt; Schild; Vignette	1	148227	
14	Sign Skylt; Schild; Vignette	1	148223	
15	Sign Skylt; Schild; Vignette	1	160525	
16	Sign Skylt; Schild; Vignette	1	72082	
17	Sign(Cold stores) Skylt(Fryshus); Schild(Gefrieranlage); Vignette(Chambre frigorifique)	1	147488	
18	Sign(20) Skylt; Schild; Vignette	2	169533	
19	Sign Skylt; Schild; Vignette	2	152027	
20	Sign Skylt; Schild; Vignette	2	168388	
21	Sign(Cold Store) Skylt; Schild; Vignette	2	133434	

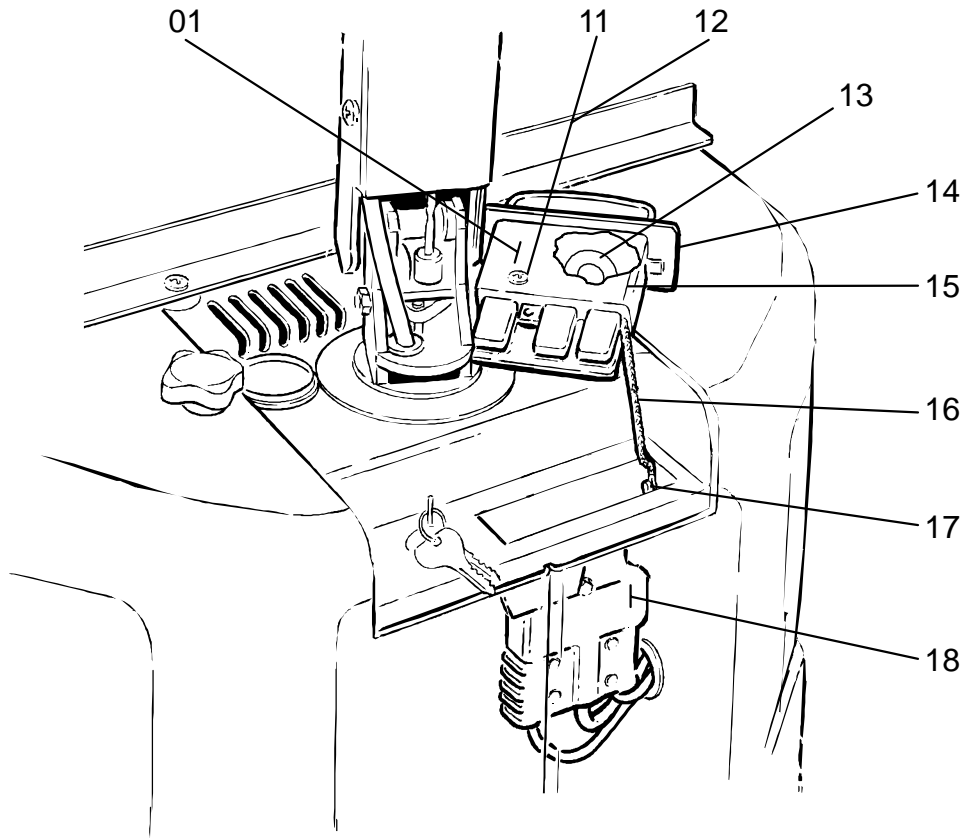
3500-004 **Wheels**

[1996-11-18]

Hjul; Räder; Roues

			599 PML 20	335439 -
Pos	Description	Pcs	Part No	Note
01	<b>Bogie wheel(Complete)</b> Boggiehjul(Komplett); Boggirad(Komplett); Roue de fourche bogie(Comple)	4	150131-001	
02	<b>Single wheel(Complete)</b> Singelhjul(Komplett); Einzelrad(Komplett); Roue simple(Comple)	2	152344	
11	<b>Locking pin</b> Spännstift; Spannstift; Goupille	2	27921	
12	<b>Axle</b> Axel; Achse; Axe	2	154109	
12	<b>Axle(Stainless Steel)</b> Axel(Rostfri); Achse(Nichtrostende); Axe(Inoxydable)	2	154110	
13	<b>Bush</b> Bussning; Bague; Bague	2	140168	
14	<b>Wheel fork</b> Hjulgaffel; Radgabel; Fourche de roue	2	150112	
15	<b>Bush</b> Bussning; Bague; Bague	4	154703	
16	<b>Bracket</b> Fäste; Halterung; Support	4	150115	
17	<b>Screw</b> Skruv; Schraube; Vis	4	150132	
18	<b>Wheel</b> Hjul; Rad; Roue	4	150128-074	
19	<b>Ball bearing</b> Kullager; Kugellager; Roulement a billes	8	20906	
20	<b>Sealing</b> Tätning; Dichtung; Joint	8	150127	
21	<b>Axle</b> Axel; Achse; Axe	4	150126-076	
22	<b>Bush</b> Bussning; Bague; Bague	4	140169	
23	<b>Axle</b> Axel; Achse; Axe	2	156750	
23	<b>Axle(Stainless Steel)</b> Axel(Rostfri); Achse(Nichtrostende); Axe(Inoxydable)	2	156751	
24	<b>Locking pin</b> Spännstift; Spannstift; Goupille	2	22128	
25	<b>Bush</b> Bussning; Bague; Bague	4	154117	
26	<b>Locking ring</b> Spärring; Schliessring; Circlip	2	24000	
27	<b>Axle</b> Axel; Achse; Axe	2	154115	
27	<b>Axle(Stainless Steel)</b> Axel(Rostfri); Achse(Nichtrostende); Axe(Inoxydable)	2	154116	
28	<b>Wheel</b> Hjul; Rad; Roue	2	150128-095	

5190-024



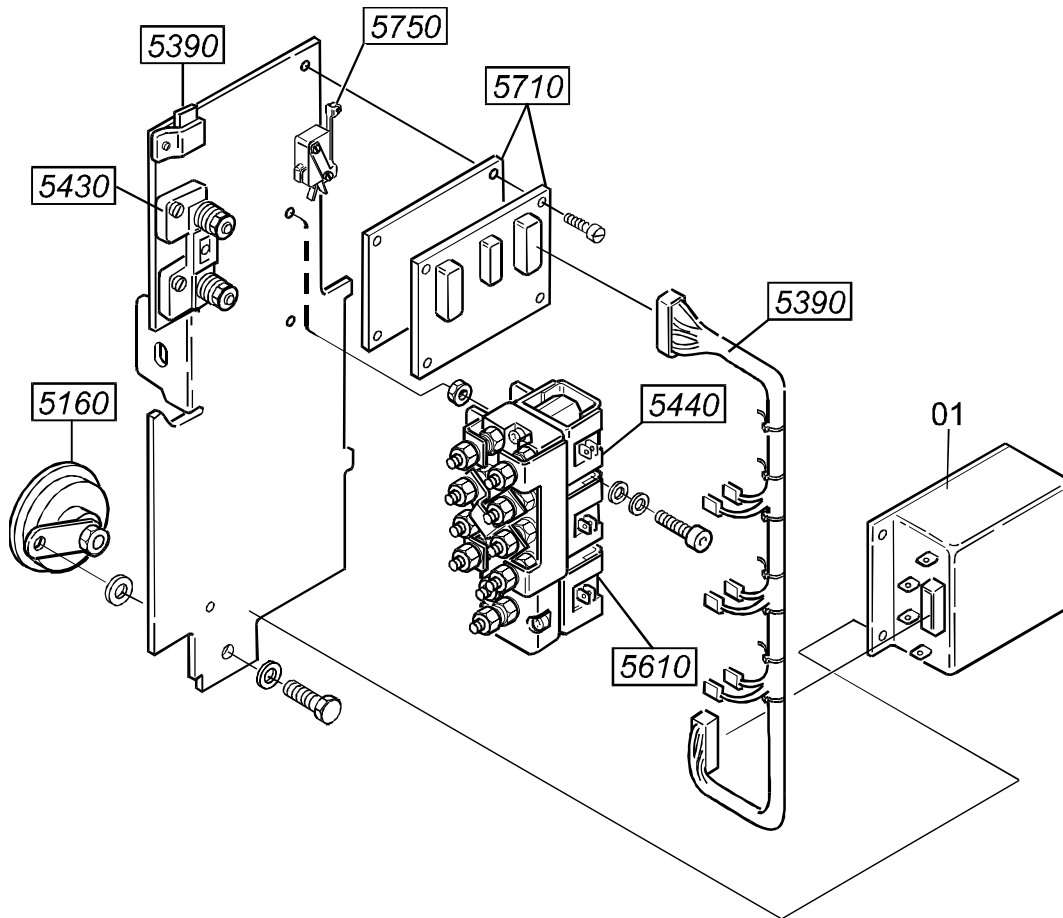
**5190-024 Battery cut out connector/contactor**

[1999-03-22]

Batterifrånskiljare, huvudkontaktor; Batterietrennung, Hauptkontaktor; Coupe-circuit de batterie, contacteur

			599 PML 20	335439 -
Pos	Description	Pcs	Part No	Note
01	Connector socket Kabelhandske; Leistungverbinder; Connexion socle.	1	127486	
11	Screw Skruv; Schraube; Vis	2	26956	
12	Nut Mutter; Mutter; Ecrou	2	26957	
13	Cable Kabel; Kabel; Câble	1	127487	
14	Handle Handtag; Handgriff; Poignée.	1	127482	
15	Connector Handske; Stecker; Bloc de connexion	1	127483	
16	Wire Wire; Drahtseil; Filament	1	141141	
17	Cable clip Kabelsko; Anschlussklemme; Oeillet de cable	1	22389	
18	Connector Handske; Stecker; Bloc de connexion	1	127484	

5460-013



**5460-013 Transistor panel**

Transistorpanel ; Transistorpanel; Panneau transistor

[1997-10-15]

Pos	Description	Pcs	Part No	Note
01	Transistor controller Transistorregulator; Transistorregulator; Regulateur des transistors	1	137197-006	Only for trucks in CE-design Endast maskiner enligt CE-utförande; Nur für Stapler in CE-ausführung; Seulement du chariot version CE

## 6100-047 Hydraulic unit

[1998-11-24]

Hydraulaggregat; Hydraulikaggregat; Unité hydraulique

			599 PML 20	335439 -
Pos	Description	Pcs	Part No	Note
01	Pump unit compl. Pumpenhet kompl.; Pumpeinheit kompl.; Unite de pompe compl.	1	166074	
02	Packing set Packningssats; Packungssatz; Jeux d' étanchéité.	1	148312	
11	Cap Lock; Deckel; Couvercle	1	143380	
12	Filler tube(Complete) Påfyllningsrör(Komplett); Füllstutzen(Komplett); Tuyau de remplissage(Comple)	1	167327	
13	Pump Pump; Pump; Pumpe	1	129666	
14	Coil Spole; Spule; Bobine	1	143372	
15	Valve(Magnet) Ventil(Magnet); Ventil(Magnet); Soupape(Magnétique)	1	143371	
16	Valve Ventil; Ventil; Soupape	1	149572-009	
17	Pressure reducing valve Tryckbegränsningsventil; Druckreduzierventil; Soupape de réglage de pression	1	166076	
18	Tank Tank; Behälter; Reservoir	1	166075	
19	Filter Filter; Filter; Filtre	1	143382	
20	Clamp Klamma; Rohrschelle; Collier	1	143381	
21	Filter(Complete) Filter(Komplett); Filter(Komplett); Filtre(Comple)	1	167328	
22	Non return valve Backventil; Rückschlagklappe; Clapet de retenue	1	143374	
23	Screw Skruv; Schraube; Vis	2	20460	
24	Washer Bricka; Scheibe; Rondelle	2	21275	
25	Screw Skruv; Schraube; Vis	2	20044	
26	Nut Mutter; Mutter; Ecrou	2	20130	
27	Bracket Fäste; Halterung; Support	1	164101	
28	Washer Bricka; Scheibe; Rondelle	1	21275	
29	Screw Skruv; Schraube; Vis	1	20078	

CLICK HERE TO **DOWNLOAD** THE COMPLETE MANUAL

- Thank you very much for reading the preview of the manual.
- You can download the complete manual from: [www.heydownloads.com](http://www.heydownloads.com) by clicking the link below



- Please note: If there is no response to CLICKING the link, please download this PDF first and then click on it.

CLICK HERE TO **DOWNLOAD** THE COMPLETE MANUAL