

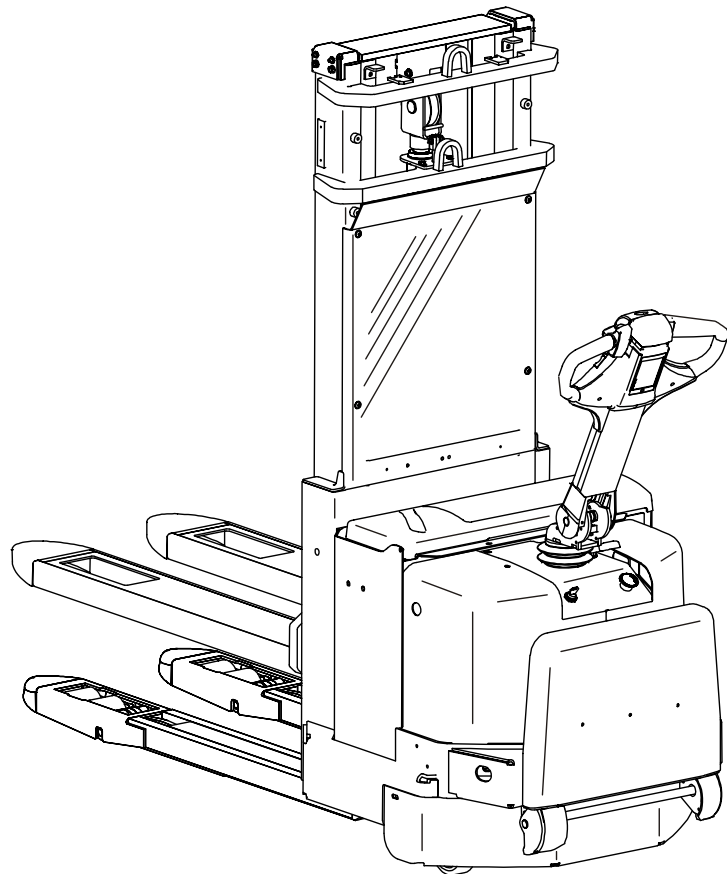
TOYOTA

Powered Pallet Stacker 7 SM12F

Valid for machine number: 704423 -

Only valid for machine number:

--	--	--	--	--	--	--	--



Spare Parts Catalogue

Ordering number216442

Date2004-02-25/ITS

CLICK HERE TO **DOWNLOAD** THE COMPLETE MANUAL

- Thank you very much for reading the preview of the manual.
- You can download the complete manual from: www.heydownloads.com by clicking the link below



- Please note: If there is no response to CLICKING the link, please download this PDF first and then click on it.

CLICK HERE TO **DOWNLOAD** THE COMPLETE MANUAL

0350-00048 Support arms, stabilizers

[2003-10-06]

Stödben, stabilisatorer; Stützarme, Stabilisatoren; Bras porteurs, stabilisateurs;

			702 7 SM12F	437050 -
Pos	Description	Pcs	Part No	Note
11	Axle Axel; Achse; Axe	2	134446	
11	Axle(Stainless Steel) Axel(Rostfri); Achse(Nichtrostende); Axe(Inoxydable)	2	136859	
12	Cotter pin Saxpinne; Gespalter stift; Goupille fendue	2	20313	
13	Torsion tube compl Vridrör kompl; Drehrohr Kompl; Levier de tringle compl	2	156260	
14	Bush Bussning; Bague; Bague	4	140168	
15	Roller Rulle; Rolle; Roleau	2	138423	
16	Bush Bussning; Bague; Bague	2	29567	
17	Axle(Stainless Steel) Axel(Rostfri); Achse(Nichtrostende); Axe(Inoxydable)	2	144424-001	
17	Axle Axel; Achse; Axe	2	76313-001	
18	Washer Bricka; Scheibe; Rondelle	2	20404	
19	Screw Skruv; Schraube; Vis	2	20031	
20	Axle(Stainless Steel) Axel(Rostfri); Achse(Nichtrostende); Axe(Inoxydable)	2	144424-005	
20	Axle Axel; Achse; Axe	2	76313-009	
21	Screw Skruv; Schraube; Vis	2	20031	
22	Washer Bricka; Scheibe; Rondelle	2	20404	
23	Bush Bussning; Bague; Bague	2	140168	
24	Axle Axel; Achse; Axe	2	154109	
24	Axle(Stainless Steel) Axel(Rostfri); Achse(Nichtrostende); Axe(Inoxydable)	2	154110	
25	Locking pin Spännstift; Spannstift; Goupille	2	21091	
26	Bush Bussning; Bague; Bague	2	140168	

0560-00119 Platform incl. fixing points

[2004-02-23]

Åkplattform med infästning; Fahrerplattform mit Befestigung; Plateforme et fixations;

			702 7 SM12F	704423 -
Pos	Description	Pcs	Part No	Note
11	Nut Mutter; Mutter; Ecrou	1	21123	
12	Cup spring Tallriksfjäder; Tellerfeder; Ressort de disque	29	23986	
13	Screw Skruv; Schraube; Vis	1	26795	
14	Nut Mutter; Mutter; Ecrou	1	21123	
15	Cup spring Tallriksfjäder; Tellerfeder; Ressort de disque	27	23986	
16	Screw Skruv; Schraube; Vis	1	26795	
17	Screw Skruv; Schraube; Vis	2	26618	
18	Consol Konsol; Konsole; Console	1	182155	
19	Nut Mutter; Mutter; Ecrou	2	27129	
20	Sleeve Hylsa; Hülse; Douille	2	179669	
21	Screw Skruv; Schraube; Vis	2	21322	
22	Axle Axel; Achse; Axe	1	153555	
23	Locking pin Spännstift; Spannstift; Goupille	1	28438	
24	Bush Bussning; Bague; Bague	2	140178	
25	Nut Mutter; Mutter; Ecrou	2	20130	
26	Gas suspension(800 Newton) Gasfjäder; Gasfederung; Suspension à gaz	1	122314-088	
27	Platform(Complete) Plattform(Komplett); Plattform(Komplett); Plate-forme(Complet)	1	181536	Complete Komplett; Komplett; Complet
28	Carpet Matta; Teppisch; Tapis	1	181534	
29	Platform Plattform; Plattform; Plate-forme	1	181535	
30	Buffer Buffert; Puffer; Atténateur	1	23791	

3540-00065 Support/caster wheels

[2003-04-25]

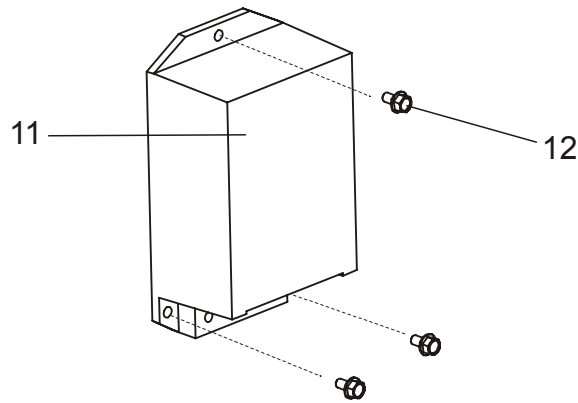
Stöd-/länkhjul; Stützräder/Gelenkrollen; Roues stabilisatrices/pivotantes;

			702 7 SM12F	437050 -
Pos	Description	Pcs	Part No	Note
01	Link wheel compl. Länkhjul kompl.; Gelenkrad kompl.; Roue articulée compl.	2	156258	
02	Wheel Hjul; Rad; Roue	2	156259	
11	Locking ring Spärring; Schliessring; Circlip	2	20922	
12	Washer Bricka; Scheibe; Rondelle	2	154399	
13	Bracket Fäste; Halterung; Support	2	154390	
14	Screw Skruv; Schraube; Vis	8	20044	
15	Washer Bricka; Scheibe; Rondelle	8	20348	
16	Bearing Lager; Lager; Roulement	2	29950	
17	Locking ring Spärring; Schliessring; Circlip	2	20076	
18	Screw Skruv; Schraube; Vis	2	20933	
19	Distance piece Distans; Distanz; Distance	2	136140	
20	Distance piece Distans; Distanz; Distance	4	24115	
21	Bearing Lager; Lager; Roulement	4	29981	
22	Protection Skydd; Schutz; Protègee	4	136138	
23	Nut Mutter; Mutter; Erou	2	20130	
24	Wheel fork Hjulgaffel; Radgabel; Fourche de roue	2	154388	
25	Shim(0,5 mm) Shims; Schim; Cale	1	182333-005	
25	Shim(1 mm) Shims; Schim; Cale	1	182333-010	

Pos	Description	Pcs	Part No	Note
72	Screw Skruv; Schraube; Vis	2	171706	
73	Plate Plåt; Platte; Plaque	1	169248	
74	Screw Skruv; Schraube; Vis	4	171403	
75	Protection Skydd; Schutz; Protègee	1	169271	
76	Screw Skruv; Schraube; Vis	2	171823	
77	Protection Skydd; Schutz; Protègee	1	169272	
78	Screw Skruv; Schraube; Vis	2	28970	
79	Protection Skydd; Schutz; Protègee	1	169284	
80	Screw Skruv; Schraube; Vis	2	28970	
81	Screw Skruv; Schraube; Vis	1	28518	
82	Bracket Fäste; Halterung; Support	1	181154	
83	Washer Bricka; Scheibe; Rondelle	2	20404	
84	Washer Bricka; Scheibe; Rondelle	4	126723-003	
85	Screw Skruv; Schraube; Vis	2	177637	
86	Bracket Fäste; Halterung; Support	1	178974	
87	Washer Bricka; Scheibe; Rondelle	4	126723-006	
88	Screw Skruv; Schraube; Vis	2	20109	

5460-00046

P0015764



5460-00046 Transistor panel

[2004-02-17]

Transistorpanel; Transistorpanel; Panneau transistor;

			702 7 SM12F	437050 -
Pos	Description	Pcs	Part No	Note
11	Transistor controller Transistorregulator; Transistorregulator; Regulateur des transistors	1	169071-004	Replaced by new spare part Ersatt av ny reservdel; Ersetzen mit neue Ersatzteil; Remplacement, nouv pièce de rechange
11	Transistor controller Transistorregulator; Transistorregulator; Regulateur des transistors	1	169072-005	
12	Screw Skruv; Schraube; Vis	3	28858	

7120-00176 Main lift chain system

[2003-04-25]

Huvudlyftkedjesystem; Haupthubkettensystem; Système de chaîne de levage mât principal;

Duplex Hi - Lo		702 7 SM12F	437050 -	
Pos	Description	Pcs	Part No	Note
11	Chain wheel Kedjehjul; Kettenrad; Roue de chaine	2	144714	
12	Axle Axel; Achse; Axe	2	138727	
13	Cotter pin Saxpinne; Gespalter stift; Goupille fendue	2	28278	
14	Chain yoke Kedjeok; Kettenjoch; Manchon porte chaine	2	144709	
15	Chain yoke Kedjeok; Kettenjoch; Manchon porte chaine	1	146213	
16	Locking ring Spårring; Schliessring; Circlip	1	20019	
17	Washer(2 mm) Bricka; Scheibe; Rondelle	2	121334-003	
18	Roller Rulle; Rolle; Roleau	1	146224	
19	Bracket Fäste; Halterung; Support	1	168214	
20	Screw Skruv; Schraube; Vis	2	28590	
21	Bracket Fäste; Halterung; Support	1	151226	
22	Screw Skruv; Schraube; Vis	2	28590	
23	Roller(Complete) Rulle(Komplett); Rolle(Komplett); Roleau(Complet)	8	181907	
27	Washer Bricka; Scheibe; Rondelle	1	22707	
28	Guide Styrning; Steuerung; Guidage	1	133266	
29	Sealing ring Tätningring; Dichtungsring; Bague d'étanchéité	1	20645	
30	Locking ring Spårring; Schliessring; Circlip	1	20008	
31	Bracket Fäste; Halterung; Support	1	146218	
32	Nut Mutter; Mutter; Ecrou	4	20528	
33	Nut Mutter; Mutter; Ecrou	4	20006	
34	Cotter pin Saxpinne; Gespalter stift; Goupille fendue	4	20312	
35	Chain complete Kedja komplett; Ketten komplett ; Chaine complete	2	144716-001	L = 1048 mm
35	Chain complete Kedja komplett; Ketten komplett ; Chaine complete	2	144716-002	L = 1200 mm
35	Chain complete Kedja komplett; Ketten komplett ; Chaine complete	2	144716-007	L = 1086 mm
36	Chain bolt Kedjebult; Kettenbolzen; Tourillon de chaine	2	105381	
37	Cotter pin Saxpinne; Gespalter stift; Goupille fendue	8	21445	
38	Washer Bricka; Scheibe; Rondelle	8	20404	
39	Nut Mutter; Mutter; Ecrou	4	20528	
40	Nut Mutter; Mutter; Ecrou	4	20006	
41	Cotter pin Saxpinne; Gespalter stift; Goupille fendue	4	20312	
42	Chain bolt Kedjebult; Kettenbolzen; Tourillon de chaine	4	105814	

CLICK HERE TO **DOWNLOAD** THE COMPLETE MANUAL

- Thank you very much for reading the preview of the manual.
- You can download the complete manual from: www.heydownloads.com by clicking the link below



- Please note: If there is no response to CLICKING the link, please download this PDF first and then click on it.

CLICK HERE TO **DOWNLOAD** THE COMPLETE MANUAL