

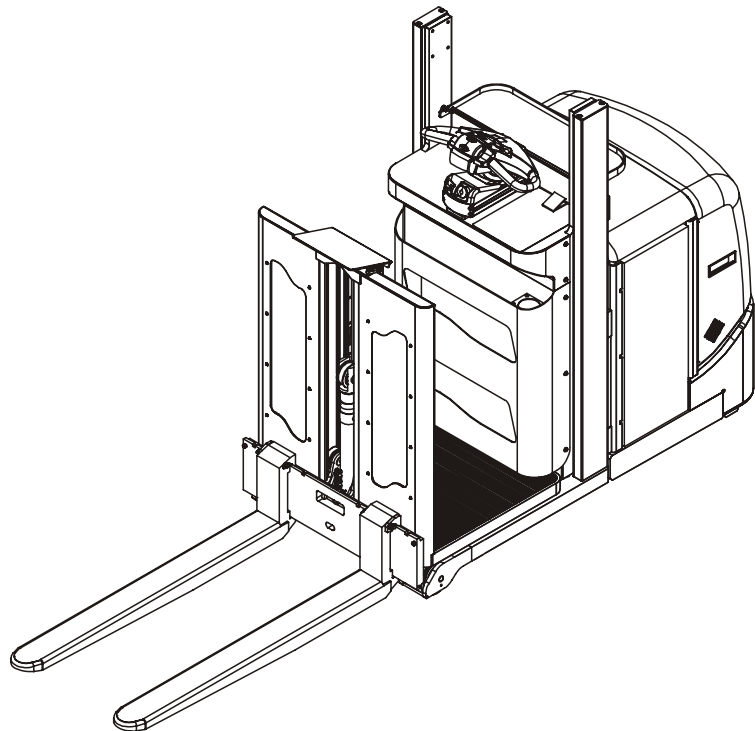
TOYOTA

Order Picking Truck 7LOP10CF

Valid for machine number: 980795 -

Only valid for machine number:

--	--	--	--	--	--	--	--



Spare Parts Catalogue

Ordering number247411

Date2007-03-28 / ITS

CLICK HERE TO **DOWNLOAD** THE COMPLETE MANUAL

- Thank you very much for reading the preview of the manual.
- You can download the complete manual from: www.heydownloads.com by clicking the link below



- Please note: If there is no response to CLICKING the link, please download this PDF first and then click on it.

CLICK HERE TO **DOWNLOAD** THE COMPLETE MANUAL

0340-00574 Inspection covers

[2006-10-20]

Huvar, luckor; Hauben, Abdeckungen; Capots, couvercles;

			788 7LOP10CF	959169 -
Pos	Description	Pcs	Part No	Note
11	Plug Plugg; Ppropf; Bouchon	2	215939	
12	Nut Mutter; Mutter; Ecrou	2	20249	
13	Damper Dämpare; Dämpfer; Attenteur	2	29686	
14	Axle Axel; Achse; Axe	2	218517	
15	Bracket Fäste; Halterung; Support	1	209850	
16	Screw Skruv; Schraube; Vis	4	20154	
17	Gas suspension Gasfjäder; Gasfederung; Suspension à gaz	1	211495	
18	Screw Skruv; Schraube; Vis	2	117919	
19	Bush Bussning; Bague; Bague	1	169268	
20	Bush Bussning; Bague; Bague	3	140174	
21	Washer Bricka; Scheibe; Rondelle	2	21016	
22	Nut Mutter; Mutter; Ecrou	2	20096	
23	Battery door Batterilucka; Batterietür; Porte de batterie	1	212228-004	
24	Knob Knopp; Knopf; Bouton	1	127053-002	
25	Axle Axel; Achse; Axe	1	837783-001	
26	Bracket Fäste; Halterung; Support	1	837784-001	
27	Locking pin Spännstift; Spannstift; Goupille	1	21091	
28	Handle Handtag; Handgriff; Poignée.	1	838417-001	
29	Screw Skruv; Schraube; Vis	2	160628	
30	Hook Hake; Haken; Crochet	1	209229	
31	Screw Skruv; Schraube; Vis	2	20351	
32	Washer Bricka; Scheibe; Rondelle	2	20404	
33	Hook Hake; Haken; Crochet	1	209463	
34	Spring Fjäder; Feder; Ressort	1	209464	
35	Spring Fjäder; Feder; Ressort	1	209465	
36	Distance piece Distans; Distanz; Distance	2	209231	

0670-00078 Wall/floor covering

[2006-10-27]

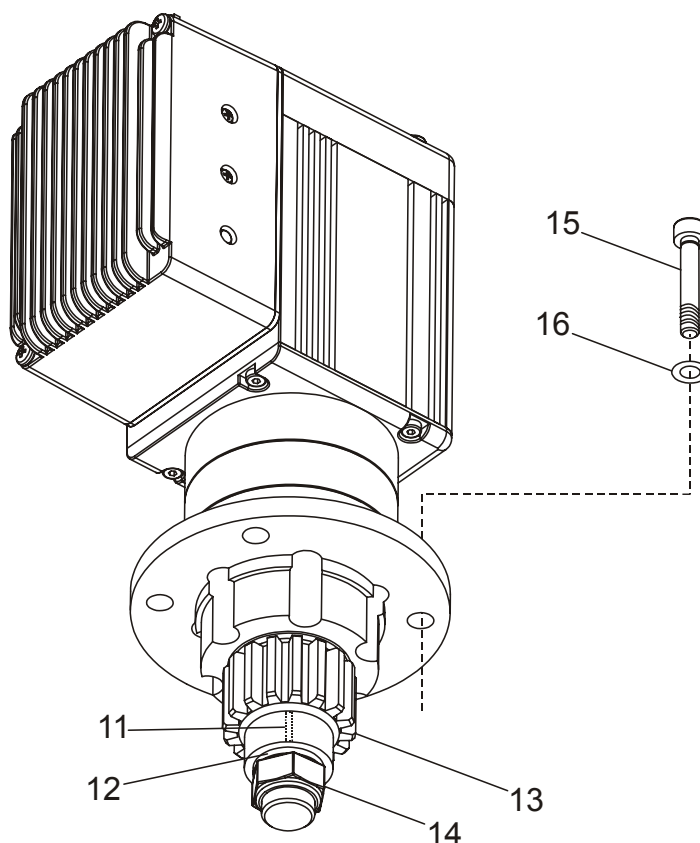
Vägg-/golvlädsel; Innenverkleidung Wand/Boden; Revêtement intérieur, tapis;

			788 7LOP10CF	940212 -
Pos	Description	Pcs	Part No	Note
11	Carpet Matta; Teppisch; Tapis	1	838128-078	Cab. W. 780
11	Carpet Matta; Teppisch; Tapis	1	838595-100	Cab. W. 1000
11	Carpet Matta; Teppisch; Tapis	1	838595-120	Cab. W. 1200
11	Carpet Matta; Teppisch; Tapis	1	838595-140	Cab. W. 1400
12	Screw Skruv; Schraube; Vis	1	20074	
13	Plate Plåt; Platte; Plaque	1	837768-001	
14	Block Block; Block; Bloc	1	837775-001	
15	Screw Skruv; Schraube; Vis	2	20439	
16	Washer Bricka; Scheibe; Rondelle	2	20348	
17	Spring Fjäder; Feder; Ressort	2	213817	

1730-00038

P0023038

01



1730-00038 Electric steering motor

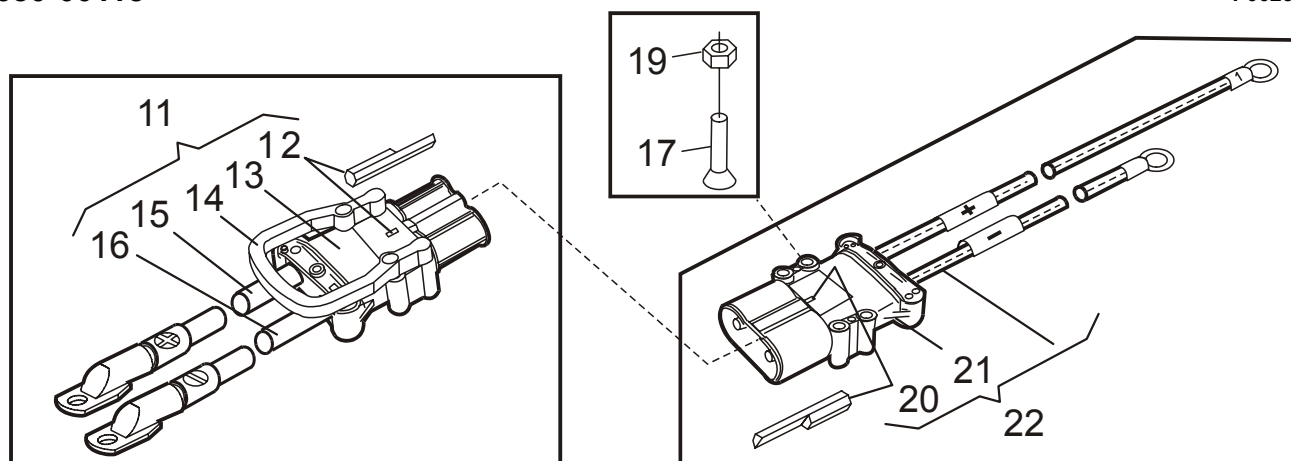
[2007-03-19]

Elektrisk styrmotor; Elektro-Lenkmotor; Moteur de direction électrique;

Pos	Description	Pcs	Part No	Note
01	Steering motor(Complete) Styrmotor(Komplett); Steuerrungsmotor(Komplett); Module moteur de direction(Complet)	1	208013-004	Replaced by new spare part Ersatt av ny reservdel; Ersetzen mit neue Ersatzteil; Remplacement, nouv pièce de rechange
01	Steering motor(Complete) Styrmotor(Komplett); Steuerrungsmotor(Komplett); Module moteur de direction(Complet)	1	208013-005	
11	Key Kil; Keil; Clavette	1	213838	
12	Washer Bricka; Scheibe; Rondelle	1	20228	
13	Gear wheel Kuggghjul; Zahnrad; Roue dentée	1	211669	
14	Nut Mutter; Mutter; Ecrou	1	208910	
15	Screw Skruv; Schraube; Vis	4	20192	
16	Washer Bricka; Scheibe; Rondelle	4	20404	

5680-00118

P0023059



5680-00118 Battery/motor cables, fuse

[2007-01-12]

Batteri-/motorkablar, säkring; Batterie-/Motorkabel, Sicherung; Câbles de batterie/moteur, fusible;

			788 7LOP10CF	940212 -
Pos	Description	Pcs	Part No	Note
11	Battery connector with cable cpl. Batterihandske med kabel kpl.; Stromstecker mit Kabel Kpl; Bloc de connexion avec câble cpl.	1	211851	
12	Gender key Kodpinne; Code-Stift; Code-goupille	1	171704-002	
13	Connector socket Kabelhandske; Leistungsverbinder; Connexion socle.	1	171682	
14	Handle Handtag; Handgriff; Poignée.	1	171687	
15	Cable Kabel; Kabel; Câble	1	211852	
16	Cable Kabel; Kabel; Câble	1	211853	
17	Screw Skruv; Schraube; Vis	2	22333	
19	Nut Mutter; Mutter; Ecrou	2	20433	
20	Gender key Kodpinne; Code-Stift; Code-goupille	1	171704-001	
21	Connector socket Kabelhandske; Leistungsverbinder; Connexion socle.	1	171683	
22	Connector with cable complete Handske med kabel komplett; Stromstecker mit Kabel komplett.; Connection fiche avec câble complete.	1	208159	

7130-00223 Main mast fork carriage

[2006-10-27]

Huvudstativokvagn; Gabel-/Aggregattr ger Haupthubger st; Tablier porte-fourches m t principal;

			788 7LOP10CF	940212 -
Pos	Description	Pcs	Part No	Note
11	Clamp Klamma; Rohrschelle; Collier	2	156268-002	
12	Clamp Klamma; Rohrschelle; Collier	2	156268-004	
13	Plug Plugg; Pfropf; Bouchon	4	153969	
14	Roller Rulle; Rolle; Roleau	4	837787-001	
15	Stop screw Stoppskruv; Einstellschraube; Vis de arretoire	4	45976	
16	Locking ring Sp�rring; Schliessring; Circlip	4	20359	
17	Block Block; Block; Bloc	1	837775-001	
18	Sensing device Induktivgivare; F�hler; Emetteur	1	212481-015	
19	Damper D�mpare; D�mpfer; Attenteur	2	105388	
20	Washer Bricka; Scheibe; Rondelle	2	20375	
21	Screw Skruv; Schraube; Vis	2	21750	

CLICK HERE TO **DOWNLOAD** THE COMPLETE MANUAL

- Thank you very much for reading the preview of the manual.
- You can download the complete manual from: www.heydownloads.com by clicking the link below



- Please note: If there is no response to CLICKING the link, please download this PDF first and then click on it.

CLICK HERE TO **DOWNLOAD** THE COMPLETE MANUAL