

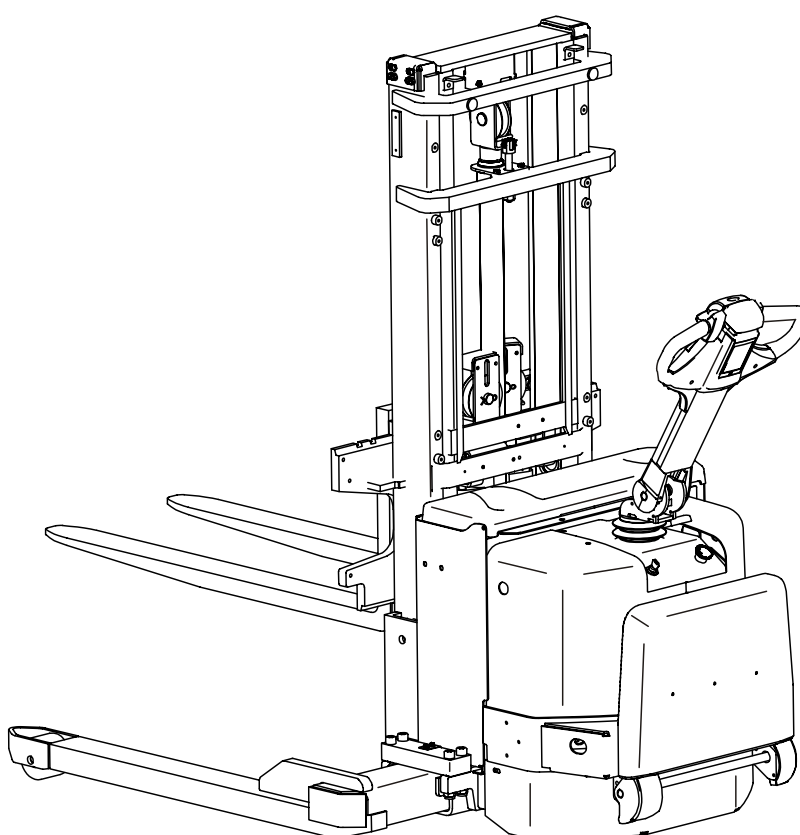
# TOYOTA

## Powered Pallet Stacker 7SM12S

Valid for machine number: 910327 -

Only valid for machine number:

--	--	--	--	--	--	--



## Spare Parts Catalogue

Ordering number .....224741

Date .....2005-08-16/ITS

CLICK HERE TO **DOWNLOAD** THE COMPLETE MANUAL

- Thank you very much for reading the preview of the manual.
- You can download the complete manual from: [www.heydownloads.com](http://www.heydownloads.com) by clicking the link below



- Please note: If there is no response to CLICKING the link, please download this PDF first and then click on it.

CLICK HERE TO **DOWNLOAD** THE COMPLETE MANUAL

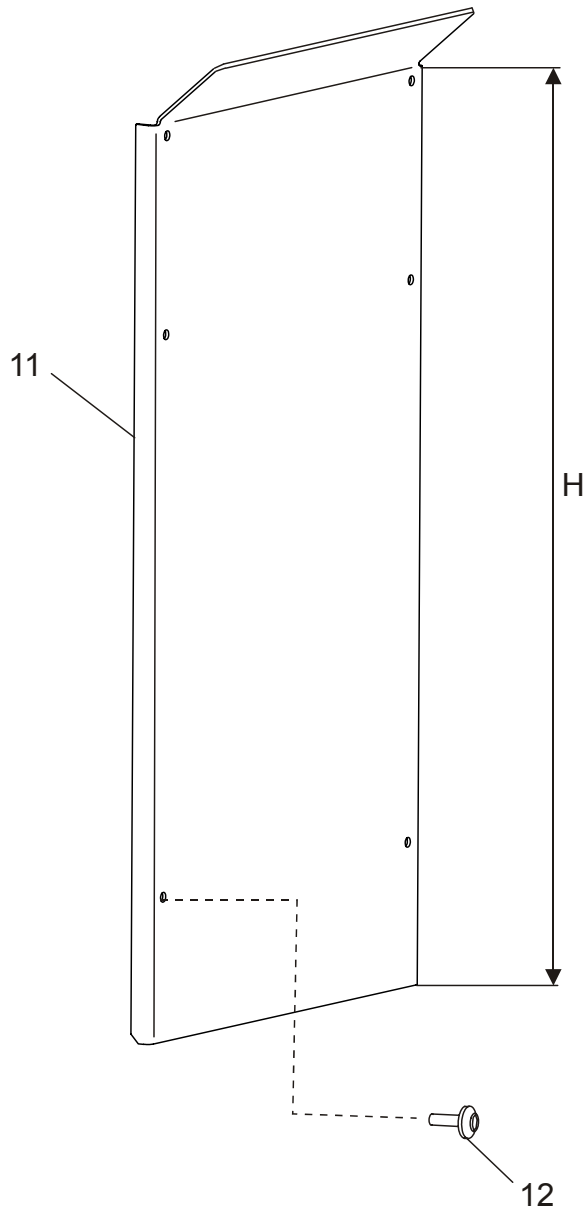
**0350-00046 Support arms, stabilizers**

[2004-06-16]

Stödben, stabilisatorer; Stützarme, Stabilisatoren; Bras porteurs, stabilisateurs;

			701 7 SM12S	437050 -
Pos	Description	Pcs	Part No	Note
11	Screw Skruv; Schraube; Vis	2	20002	
12	Washer Bricka; Scheibe; Rondelle	2	20228	
13	Screw Skruv; Schraube; Vis	4	21820	
14	Washer Bricka; Scheibe; Rondelle	8	126723-006	
15	Spring Fjäder; Feder; Ressort	2	200840	
16	Screw Skruv; Schraube; Vis	4	27711	
17	Screw Skruv; Schraube; Vis	8	200714	
18	Bracket Fäste; Halterung; Support	2	200837	
19	Screw Skruv; Schraube; Vis	2	28469	
20	Nut Mutter; Mutter; Ecrou	2	20777	
21	Nut Mutter; Mutter; Ecrou	8	21123	
22	Support arm Stödben; Stützbein; Longeron	1	200184-001	
23	Support arm Stödben; Stützbein; Longeron	1	200185-001	
24	Sleeve Hylsa; Hülse; Douille	2	146372	
25	Screw Skruv; Schraube; Vis	2	28740	

0820-00130



**0820-00130 Finger/foot guards**

[2005-04-06]

Finger-/fotskydd; Finger-/Fusschutz; Protection de doigts/pieds anti-écrasement;

Duplex Tele			701 7 SM12S	437050 -
Pos	Description	Pcs	Part No	Note
11	Finger cover(H = 693,5 mm) Fingerskydd; Fingerschutz; Protège main	1	144854-001	Duplex Tele
11	Finger cover(H = 998,5 mm) Fingerskydd; Fingerschutz; Protège main	1	144854-002	Duplex Tele
11	Finger cover(H = 1189,5 mm) Fingerskydd; Fingerschutz; Protège main	1	144854-003	Duplex Tele
11	Finger cover(H = 798,5 mm) Fingerskydd; Fingerschutz; Protège main	1	144854-004	Duplex Tele
11	Finger cover(H = 1398,5 mm) Fingerskydd; Fingerschutz; Protège main	1	144854-005	Duplex Tele
12	Screw Skruv; Schraube; Vis	6	29544	

## 2550-00050 Mechanical drive gear unit

[2005-04-06]

Drivaggregat/-växel; Antriebsaggregat/-getriebe; Groupe de traction, réducteur;

			701 7 SM12S	437050 -
Pos	Description	Pcs	Part No	Note
01	Driving gear compl. Drivväxel kompl.; Antriebsatz kompl.; Groupe de entrainement compl.	1	170539	
11	Dip stick Oljesticka; Ölmesstab; Jauge d'huile	1	135915	
12	Washer Bricka; Scheibe; Rondelle	1	28998	
13	Shim(0,05mm) Shims; Schim; Cale		27220	
13	Shim(0,1mm) Shims; Schim; Cale		27221	
13	Shim(0,2mm) Shims; Schim; Cale		27222	
13	Shim(0,3mm) Shims; Schim; Cale		27223	
13	Shim(0,5mm) Shims; Schim; Cale		27224	
13	Shim(1 mm) Shims; Schim; Cale		27225	
14	Screw Skruv; Schraube; Vis	4	21141	
15	Shim(0,05mm) Shims; Schim; Cale		27232	
15	Shim(0,1mm) Shims; Schim; Cale		27233	
15	Shim(0,2mm) Shims; Schim; Cale		27234	
15	Shim(0,3mm) Shims; Schim; Cale		27235	
15	Shim(0,5 mm) Shims; Schim; Cale		27236	
15	Shim(1 mm) Shims; Schim; Cale		27237	
16	Roller bearing Rullager; Rollenlager; Palier à rouleaux	1	27208	
17	Spare part kit : Bevel gear Reservdelssats : Koniskt kugghjul; Satz : Kegelrad; Jeux : Roue conique à denture droite	1	101092	
18	Nut Mutter; Mutter; Ecrou	1	101098	
19	Washer Bricka; Scheibe; Rondelle	1	23604	
20	Roller bearing Rullager; Rollenlager; Palier à rouleaux	1	27206	
21	Shim(0,05mm) Shims; Schim; Cale		27238	
21	Shim(0,1mm) Shims; Schim; Cale		27239	
21	Shim(0,2mm) Shims; Schim; Cale		27240	
21	Shim(0,3mm) Shims; Schim; Cale		27241	
21	Shim(0,5mm) Shims; Schim; Cale		27242	
21	Shim(1 mm) Shims; Schim; Cale		27243	
22	Screw Skruv; Schraube; Vis	2	28519	
24	Screw Skruv; Schraube; Vis	2	20276	
25	Cover Lock; Deckel; Couvercle	1	127280	

Pos	Description	Pcs	Part No	Note
80	<b>Screw</b> Skruv; Schraube; Vis	2	28970	
81	<b>Screw</b> Skruv; Schraube; Vis	1	28518	
82	<b>Bracket</b> Fäste; Halterung; Support	1	181150	
83	<b>Washer</b> Bricka; Scheibe; Rondelle	2	20404	
84	<b>Washer</b> Bricka; Scheibe; Rondelle	4	126723-003	
85	<b>Screw</b> Skruv; Schraube; Vis	2	177637	
86	<b>Bracket</b> Fäste; Halterung; Support	1	220219	
87	<b>Washer</b> Bricka; Scheibe; Rondelle	4	126723-006	
88	<b>Screw</b> Skruv; Schraube; Vis	2	203094	
89	<b>Washer</b> Bricka; Scheibe; Rondelle	1	126723-002	
90	<b>Support</b> Hällare; Stossfänger; Absorber des chocs	1	221214	

**5190-00059 Battery cut out connector/contactor**

[2005-04-06]

Batterifrånskiljare, huvudkontaktör; Batterietrennung, Hauptkontaktör; Coupe-circuit de batterie, contacteur;

			701 7 SM12S	437050 -
Pos	Description	Pcs	Part No	Note
11	<b>Battery connector with cable cpl.</b> Batterihandske med kabel kpl.; Stromstecker mit Kabel Kpl; Bloc de connexion avec câble cpl.	1	172443	<b>Battery</b> Batteri; Batterie; Batterie
12	<b>Cable(+)</b> Kabel; Kabel; Câble	1	172425	
13	<b>Cable(-)</b> Kabel; Kabel; Câble	1	172426	
14	<b>Handle</b> Handtag; Handgriff; Poignée.	1	171686	
15	<b>Screw</b> Skruv; Schraube; Vis	2	29985	
16	<b>Connector</b> Handske; Stecker; Bloc de connexion	1	171680	
17	<b>Gender key</b> Kodpinne; Code-Stift; Code-goupille	1	171703-002	
18	<b>Nut</b> Mutter; Mutter; Ecrou	2	20433	
19	<b>Battery connector with cable cpl.</b> Batterihandske med kabel kpl.; Stromstecker mit Kabel Kpl; Bloc de connexion avec câble cpl.	1	182490	
20	<b>Gender key</b> Kodpinne; Code-Stift; Code-goupille	1	171703-001	
21	<b>Connector</b> Handske; Stecker; Bloc de connexion	1	171681	
22	<b>Cable(1)</b> Kabel; Kabel; Câble	1	182491	
23	<b>Cable(40)</b> Kabel; Kabel; Câble	1	182492	



Pos	Description	Pcs	Part No	Note
18	<b>Roller</b> Rulle; Rolle; Roleau	1	146224	
19	<b>Bracket</b> Fäste; Halterung; Support	1	168214	
20	<b>Screw</b> Skruv; Schraube; Vis	2	28590	
21	<b>Bracket</b> Fäste; Halterung; Support	1	151226	
22	<b>Screw</b> Skruv; Schraube; Vis	2	28590	
23	<b>Roller(Complete)</b> Rulle(Komplett); Rolle(Komplett); Roleau(Complet)	4	181907	
27	<b>Washer</b> Bricka; Scheibe; Rondelle	1	22707	
28	<b>Guide</b> Styrning; Steuerung; Guidage	1	133266	
29	<b>Sealing ring</b> Tätningring; Dichtungsring; Bague d'étanchéité	1	20645	
30	<b>Locking ring</b> Spärring; Schliessring; Circlip	1	20008	
31	<b>Bracket</b> Fäste; Halterung; Support	1	146218	
32	<b>Nut</b> Mutter; Mutter; Erou	4	20528	
33	<b>Nut</b> Mutter; Mutter; Erou	4	20006	
34	<b>Cotter pin</b> Saxpinne; Gespalter stift; Goupille fendue	4	20312	
35	<b>Chain complete</b> Kedja komplett; Ketten komplett ; Chaine complete	2	144716-001	L = 1048 mm
35	<b>Chain complete</b> Kedja komplett; Ketten komplett ; Chaine complete	2	144716-002	L = 1200 mm
35	<b>Chain complete</b> Kedja komplett; Ketten komplett ; Chaine complete	2	144716-003	L = 1276 mm
35	<b>Chain complete</b> Kedja komplett; Ketten komplett ; Chaine complete	1	144716-007	L = 1086 mm
36	<b>Chain bolt</b> Kedjebult; Kettenbolzen; Tourillon de chaine	2	105381	
37	<b>Cotter pin</b> Saxpinne; Gespalter stift; Goupille fendue	8	21445	
38	<b>Washer</b> Bricka; Scheibe; Rondelle	8	20404	
39	<b>Nut</b> Mutter; Mutter; Erou	2	20528	
40	<b>Nut</b> Mutter; Mutter; Erou	2	20006	
41	<b>Cotter pin</b> Saxpinne; Gespalter stift; Goupille fendue	2	20312	
42	<b>Chain bolt</b> Kedjebult; Kettenbolzen; Tourillon de chaine	4	105814	
43	<b>Chain bolt</b> Kedjebult; Kettenbolzen; Tourillon de chaine	2	144713	
44	<b>Chain(Meter)</b> Kedja(Meter); Ketten(Meter); Chaine(Metre)		27295	
45	<b>Bush</b> Bussning; Bague; Bague	4	138886	

**9400-00055 Extra electrical equipment**

[2002-03-12]

Extra elektrisk utrustning; Elektrische Zusatzausrüstung; Equipement électrique supplémentaire;

Only UK; Endast UK; Nur UK; Seulement UK			701 7 SM12S	437050 -
Pos	Description	Pcs	Part No	Note
11	<b>Battery charger(Complete)</b> Batteriladdare(Komplett); Batterieladevorrichtung(Komplett); Chargeur ( batterie )(Complett)	1	175195	
12	<b>Contact</b> Kontakt; Kontakt; Contact	1	177321	
13	<b>Wiring harness</b> Kablage; Kabelsatz; Câblage	1	167208	
14	<b>Screw</b> Skruv; Schraube; Vis	3	28835	
15	<b>Washer</b> Bricka; Scheibe; Rondelle	1	20375	
16	<b>Screw</b> Skruv; Schraube; Vis	1	21503	
17	<b>Fan</b> Fläkt; Kühlgebläse; Ventilateur	1	164871	
18	<b>Battery charger</b> Batteriladdare; Batterieladevorrichtung; Chargeur ( batterie )	1	180512-001	
19	<b>Fuse(6,3 A)</b> Säkring; Sicherung; Fusible	1	28302	
20	<b>Distance piece</b> Distans; Distanz; Distance	4	27022	
21	<b>Cover(Orange)</b> Huv; Haube; Capot	1	175019-031	
22	<b>Sign</b> Skylt; Schild; Vignette	1	164927	
24	<b>List(Meter)</b> List(Meter); Leiste(Meter); Bande(Metre)	1	21762	

CLICK HERE TO **DOWNLOAD** THE COMPLETE MANUAL

- Thank you very much for reading the preview of the manual.
- You can download the complete manual from: [www.heydownloads.com](http://www.heydownloads.com) by clicking the link below



- Please note: If there is no response to CLICKING the link, please download this PDF first and then click on it.

CLICK HERE TO **DOWNLOAD** THE COMPLETE MANUAL