

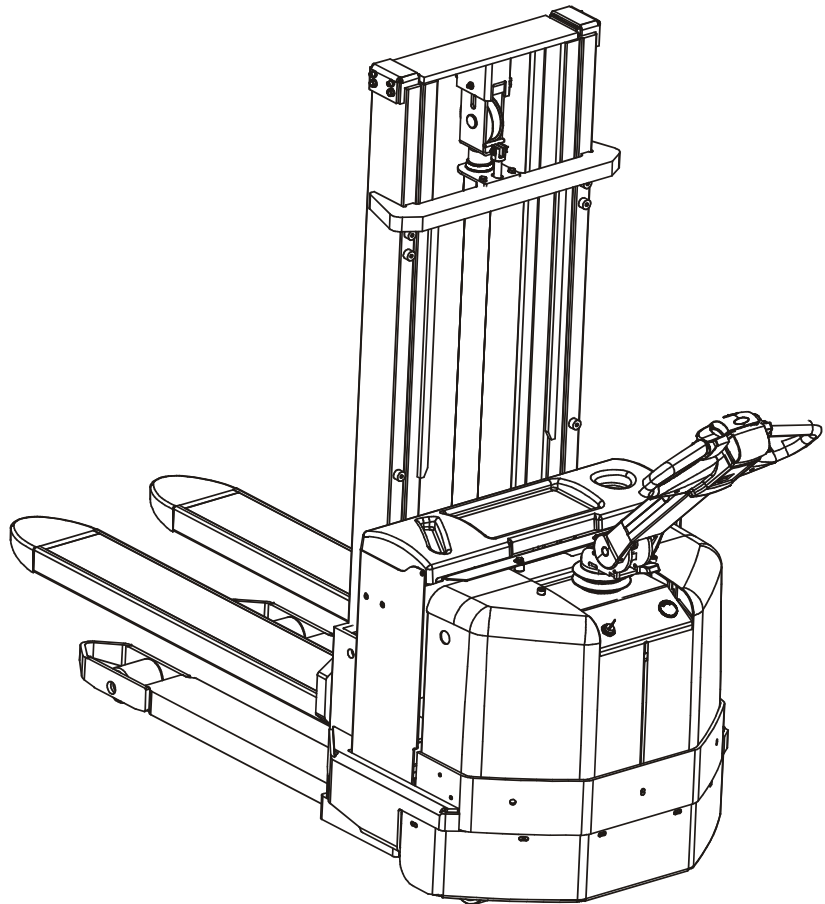
TOYOTA

Powered Pallet Stacker 7 SM10 / 7 SM12

Valid for machine number: 560555 - 570988

Only valid for machine number:

--	--	--	--	--	--	--	--



Spare Parts Catalogue

Ordering number209619

Date2004-04-06/ITS

CLICK HERE TO **DOWNLOAD** THE COMPLETE MANUAL

- Thank you very much for reading the preview of the manual.
- You can download the complete manual from: www.heydownloads.com by clicking the link below



- Please note: If there is no response to CLICKING the link, please download this PDF first and then click on it.

CLICK HERE TO **DOWNLOAD** THE COMPLETE MANUAL

0390-150 Battery compartment parts

[2002-03-08]

Batteriutrymmesdelar; Batterieraumteile; Pièce de compartiment batterie

			700 7 SM10	437050 -
Pos	Description	Pcs	Part No	Note
11	Cap(240 Ah) Lock; Deckel; Couvercle	1	182625	L = 215 mm
12	Screw Skruv; Schraube; Vis	2	21819	
13	Washer Bricka; Scheibe; Rondelle	2	20228	
14	Screw Skruv; Schraube; Vis	2	24546	
15	Washer Bricka; Scheibe; Rondelle	2	20404	
16	Distance piece Distans; Distanz; Distance	2	147426	
17	Nut Mutter; Mutter; Ecrou	2	28930	
18	Battery holder(240 Ah) Batterihållare; Batteriehalter; Fixation de batterie	1	180385-031	L = 215 mm
19	Screw Skruv; Schraube; Vis	2	20021	
20	Washer Bricka; Scheibe; Rondelle	8	20375	
21	Nut Mutter; Mutter; Ecrou	2	21094	

0640-102 Driver controls (mechanical)

[2002-09-16]

Förarrreglage (mekaniskt); Bedienungselemente (mech.); Commandes (mécanique)

Pos	Description	Pcs	Part No	Note
			700 7 SM10 700 7 SM12	437050 - 437050 -
11	Lever(Complete) Spak(Komplett); Hebel(Komplett); Levier(Comple)	1	181172	
16	Lever Spak; Hebel; Levier	1	150958	
17	Consol Konsol; Konsole; Console	1	147047	
18	Screw Skruv; Schraube; Vis	2	25305	
19	Nut Mutter; Mutter; Erou	1	28930	
20	Screw Skruv; Schraube; Vis	1	21503	
21	Nut Mutter; Mutter; Erou	1	20433	
22	Bracket Fäste; Halterung; Support	1	181173	
23	Wire(Complete) Wire(Komplett); Drahtseil(Komplett); Filament(Comple)	1	147916	
25	Spring Fjäder; Feder; Ressort	1	29817	
26	Fork Gaffel; Gabel; Fourche	1	29818	
27	Rod Stång; Stange; Tige	1	147429	
28	Nut Mutter; Mutter; Erou	1	21110	

1760-041 Electric drive motor

[2002-09-16]

Elektrisk åkmotor; Elektro-Fahrmotor; Moteur de traction électrique

Pos	Description	Pcs	Part No	Note
			700 7 SM10 700 7 SM12	437050 - 437050 -
11	Motor(Complete) Motor(Komplett); Motor(Komplett); Moteur(Complet)	1	173176	
12	Carbon brush Kolborste; Kohlebürste; Charbon	4	161611	
13	Cable Kabel; Kabel; Câble	2	27899	
14	Screw Skruv; Schraube; Vis	6	20224	
15	Washer Bricka; Scheibe; Rondelle	6	21351	
16	Cable Kabel; Kabel; Câble	1	175313	
17	Cable Kabel; Kabel; Câble	1	175312	
18	Locking ring Spårring; Schliessring; Circlip	1	20923	
19	Locking ring Spårring; Schliessring; Circlip	1	29515	
20	Washer Bricka; Scheibe; Rondelle	1	29516	
21	Ball bearing Kullager; Kugellager; Roulement a billes	1	26102	
22	Sealing Tätning; Dichtung; Joint	1	28884	
23	End shield Lagersköld; Lagerschild; Bouclier	1	139172	
24	Stator Stator; Ständer; Stator	1	175306	
25	Plug Propp; Pfropfen; Bouchon	4	148206	
26	Rotor Rotor; Rotor; Rotor	1	139178	
27	Key Kil; Keil; Clavette	1	27900	
28	Brush bridge Borstbrygga; Bürstenbrücke; Support de porte balais	1	135853	
29	Locking ring Spårring; Schliessring; Circlip	1	22122	
30	Bearing Lager; Lager; Roulement	1	28560	
31	Locking ring Spårring; Schliessring; Circlip	1	27542	
32	End shield Lagersköld; Lagerschild; Bouclier	1	175309	
33	Washer Bricka; Scheibe; Rondelle	8	21351	
34	Screw Skruv; Schraube; Vis	8	20224	
35	Washer Bricka; Scheibe; Rondelle	1	29517	
36	Screw Skruv; Schraube; Vis	4	175320	
37	Screw Skruv; Schraube; Vis	4	21272	
38	Washer Bricka; Scheibe; Rondelle	4	20236	
39	Washer Bricka; Scheibe; Rondelle	4	21307	

3540-064 Support/castor wheels

[2002-03-08]

Stöd-/länkhjul; Stützräder/Gelenkrollen; Roues stabilisatrices/pivotantes

Pos	Description	Pcs	Part No	Note
			700 7 SM10 700 7 SM12	437050 - 437050 -
01	Link wheel compl. Länkhjul kompl.; Gelenkrad kompl.; Roue articulée compl.	2	136135	
02	Wheel Hjul; Rad; Roue	2	134698	
11	Locking ring Spärring; Schliessring; Circlip	2	20008	
12	Washer Bricka; Scheibe; Rondelle	2	69550	
13	Bracket Fäste; Halterung; Support	2	135842	
14	Screw Skruv; Schraube; Vis	8	29949	
15	Nut Mutter; Mutter; Erou	8	20130	
16	Bearing Lager; Lager; Roulement	2	28940	
17	Locking ring Spärring; Schliessring; Circlip	2	22759	
18	Screw Skruv; Schraube; Vis	2	20933	
19	Distance piece Distans; Distanz; Distance	2	136140	
20	Washer Bricka; Scheibe; Rondelle	4	136589	
21	Bearing Lager; Lager; Roulement	2	22226	
22	Protection Skydd; Schutz; Protègee	2	136138	
23	Nut Mutter; Mutter; Erou	2	20130	

4110-246 Steering arm / wheel / lever

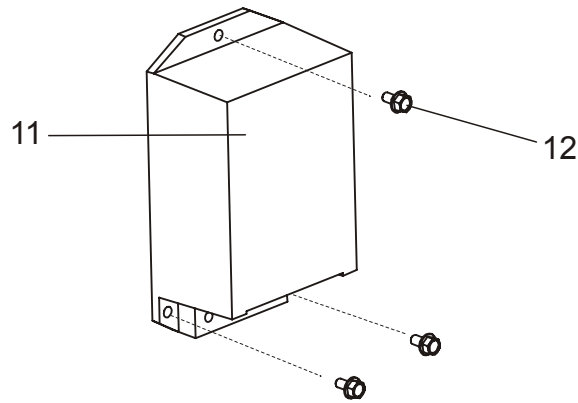
[2002-03-08]

Styr- arm/ratt/spak; Deichsel, Lenkrad-hebel; Timon/volant/levier de direction

With driver platform; Med förarplattform; Mit Fahrerplattform; Avec plate forme du conducteur		700 7 SM10 700 7 SM12	437050 - 437050 -	
Pos	Description	Pcs	Part No	Note
13	Push-button(Complete) Tryckknapp(Komplett); Druckknopf(Komplett); Bouton(Complet)	1	171666	Front Främre; Vordere; Avant
14	Push-button(Complete) Tryckknapp(Komplett); Druckknopf(Komplett); Bouton(Complet)	1	171664	Switch for safety reversing Brytare för säkerhetsreversering; Sicherheitsrücklaufschalter; Bouton rouge anti-écrasement
15	Push-button(Complete) Tryckknapp(Komplett); Druckknopf(Komplett); Bouton(Complet)	1	171665	upper övre; obere; supérieur
18	Screw Skruv; Schraube; Vis	2	171708	
19	Washer Bricka; Scheibe; Rondelle	2	171710	
20	Rocker(Left) Vippa(Vänster); Kippe(Links); Levier oscillant(Gauche)	1	167841	
21	Bearing Lager; Lager; Roulement	2	167846	
22	Support Hållare; Stossfänger; Absorber des chocs	2	167844	
23	Spring Fjäder; Feder; Ressort	1	167840	
24	Axle Axel; Achse; Axe	1	167843	
25	Arm Arm; Arm; Bras	1	167845	
26	Stop lug Stoppklack; Anslagsstuck; Arrêter	1	167830	
27	Rocker(Right) Vippa(Höger); Kippe(Recht); Levier oscillant(Droit)	1	167842	
28	Electronic card(Including software) Elektronikkort(Inklusive programvara); Elektronikkarte(Inklusive software); Carte électronique(Compris logiciel)	1	201405-101	
29	Spring Fjäder; Feder; Ressort	1	167839	
30	Housing Kåpa; Haus; Chape	1	167835	
31	Spring Fjäder; Feder; Ressort	1	167836	
32	Housing Kåpa; Haus; Chape	1	167822	
33	Push-button(Left) Tryckknapp(Vänster); Druckknopf(Links); Bouton(Gauche)	1	167848	Horn Signalhorn; Signal; Signal
34	Cap(Transparent plastic) Lock(Plastglas); Deckel(Organisches glass); Couvercle(Plastique transparent)	1	167823	
35	Sealing Tätning; Dichtung; Joint	1	169910	
36	Push-button(Right) Tryckknapp(Höger); Druckknopf(Recht); Bouton(Droit)	1	167847	Horn Signalhorn; Signal; Signal
37	Sealing Tätning; Dichtung; Joint	1	167850	
38	Cap Lock; Deckel; Couvercle	1	171659	
38	Cap(Incl. keypad) Lock(Inkl. tangentbord); Deckel(Inkl. Tastatur); Couvercle(Incl. Tablette à clefs)	1	171660	
39	Screw Skruv; Schraube; Vis	3	171707	
40	Screw Skruv; Schraube; Vis	1	171709	
41	Switch Brytare; Schalter; Rupteur	2	171655	
42	Cable tie Kablagehållare; Kabelabbinder; Frette de câblage	2	171734	

5460-046

P0015764

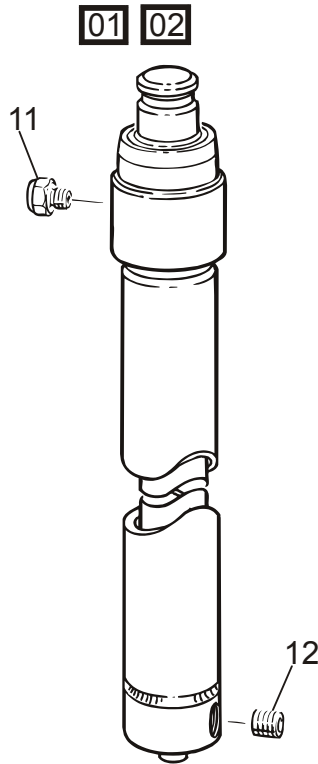


5460-046 Transistor panel

[2002-09-16]

Transistorpanel ; Transistorpanel; Panneau transistor

Pos	Description	Pcs	Part No	Note
11	Transistor controller Transistorregulator; Transistorregulator; Regulateur des transistors	1	169071-004	
12	Screw Skruv; Schraube; Vis	3	28858	



6610-087 Main lift cylinders

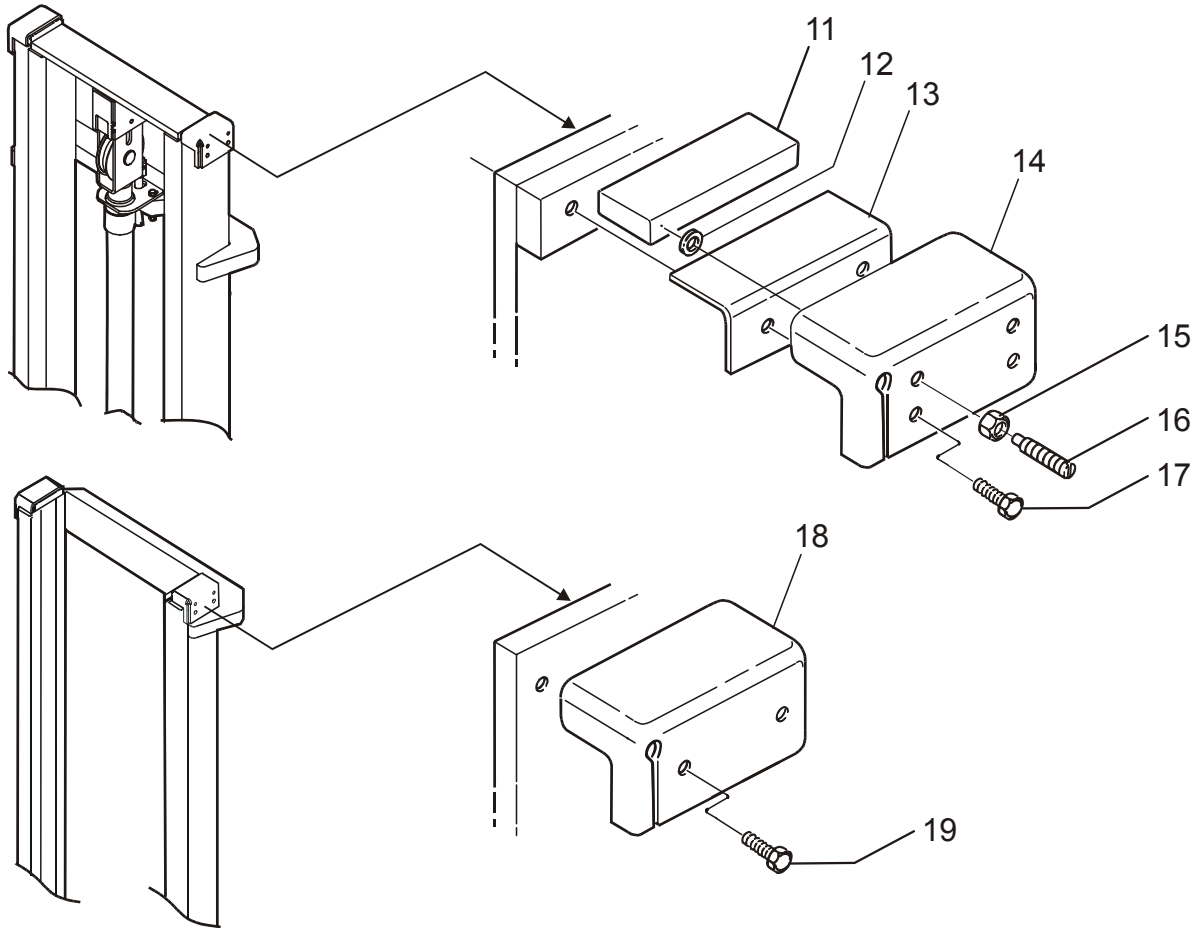
[2002-03-08]

Huvudlyftcylindrar; Haupthubzylinder; Vérin de levage, principal

Tele		700 7 SM10	437050 -	
Pos	Description	Pcs	Part No	Note
01	Lifting cylinder compl Lyftcylinder kompl.; Hubzylinder Kompl.; Verin de levage compl.	1	144690-005	H3 = 2700 mm
01	Lifting cylinder compl Lyftcylinder kompl.; Hubzylinder Kompl.; Verin de levage compl.	1	144690-006	H3 = 3300 mm
01	Lifting cylinder compl Lyftcylinder kompl.; Hubzylinder Kompl.; Verin de levage compl.	1	144690-009	H3 = 2900 mm
01	Lifting cylinder compl Lyftcylinder kompl.; Hubzylinder Kompl.; Verin de levage compl.	1	144690-015	H3 = 3200 mm
02	Packing set Packningssats; Packungssatz; Jeux d' étanchéité.	1	129165	
11	Air bleeder Luftventil; Luftnippel; Soupape (air)	1	25299	
12	Valve Ventil; Ventil; Soupape	1	25150	

7150-00022

P0015870



7150-00022 Main mast guidance/dampers

[2002-11-26]

Huvudstativ-styrning/dämpning; Führungen/Dämpfer Haupthubgerüst; Guidage/amortissement mât principal;

Pos	Description	Pcs	Part No	Note
			700 7 SM10 700 7 SM12	437050 - 570988 437050 - 570988
11	Plug Plugg; Pfropf; Bouchon	2	144720	
12	Washer Bricka; Scheibe; Rondelle	2	144721	
13	Slide plate Glidplatta; Gleitplatte; Plaque de incline	2	148763	
14	Plate Plåt; Platte; Plaque	2	148762	
15	Nut Mutter; Mutter; Ecrou	4	21110	
16	Stop screw Stoppskruv; Einstellschraube; Vis de arretoire	4	26829	
17	Screw Skruv; Schraube; Vis	4	28590	
18	Plate Plåt; Platte; Plaque	2	148761	Simplex
19	Screw Skruv; Schraube; Vis	4	28590	Simplex

CLICK HERE TO **DOWNLOAD** THE COMPLETE MANUAL

- Thank you very much for reading the preview of the manual.
- You can download the complete manual from: www.heydownloads.com by clicking the link below



- Please note: If there is no response to CLICKING the link, please download this PDF first and then click on it.

CLICK HERE TO **DOWNLOAD** THE COMPLETE MANUAL