

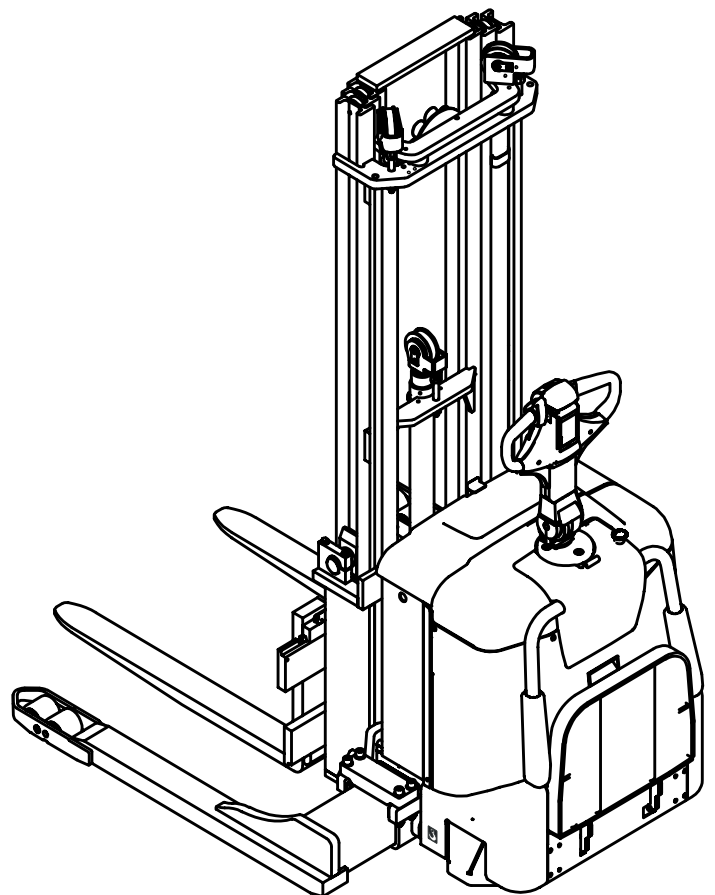
TOYOTA

Powered Pallet Stacker 7SLL13.5S

Valid for machine number: 934730 -

Only valid for machine number:

--	--	--	--	--	--	--	--



Spare Parts Catalogue

Ordering number 230920

Date 2006-02-23 / ESID

CLICK HERE TO **DOWNLOAD** THE COMPLETE MANUAL

- Thank you very much for reading the preview of the manual.
- You can download the complete manual from: www.heydownloads.com by clicking the link below



- Please note: If there is no response to CLICKING the link, please download this PDF first and then click on it.

CLICK HERE TO **DOWNLOAD** THE COMPLETE MANUAL

0340-00453 Inspection covers

[2005-10-07]

Huvar, luckor; Hauben, Abdeckungen; Capots, couvercles;

			790 7SLL13.5S	738240 -
Pos	Description	Pcs	Part No	Note
11	Bracket Fäste; Halterung; Support	1	211815	
12	Velcro tape Kardborreband; Klette-band; Ruban à raclettes	4	208567	
13	Nut Mutter; Mutter; Ecrou	10	173037	
14	Washer Bricka; Scheibe; Rondelle	2	126723-003	
15	Screw Skruv; Schraube; Vis	2	28330	
16	Screw Skruv; Schraube; Vis	1	28835	
17	Bracket Fäste; Halterung; Support	1	129399	
18	Bracket Fäste; Halterung; Support	2	169956	
19	Rivet Nit; Niet; Rivet	4	21988	
20	Bracket Fäste; Halterung; Support	2	211816	
21	Screw Skruv; Schraube; Vis	4	28330	
22	Bracket Fäste; Halterung; Support	2	211814	
23	Screw Skruv; Schraube; Vis	4	28330	
24	Bracket Fäste; Halterung; Support	2	213032	
25	Screw Skruv; Schraube; Vis	4	28330	
26	Cover Huv; Haube; Capot	1	221291-031	
27	Screw Skruv; Schraube; Vis	2	29953	
28	Screw Skruv; Schraube; Vis	3	29606	
29	Washer Bricka; Scheibe; Rondelle	3	216278	
30	Cover Lock; Deckel; Couvercle	1	212131	
31	Cover. Lucka; Deckel; Couvercle	1	221288-001	Gate Grind; Schranke; Barrière
32	Cover. Lucka; Deckel; Couvercle	1	221887	
33	Washer Bricka; Scheibe; Rondelle	4	211875	
34	Screw Skruv; Schraube; Vis	4	163077	
35	Screw Skruv; Schraube; Vis	6	163077	
36	Cover Huv; Haube; Capot	1	221290-031	
37	Handle Handtag; Handgriff; Poignée.	1	177029	

0400-00066 Frame/chassis components

[2005-03-11]

Rammonterade detaljer; Chassisanbauteile; Composants du châssis;

			790 7SLL13.5S	738240 -
Pos	Description	Pcs	Part No	Note
11	Damper Dämpare; Dämpfer; Attenteur	1	216539	
12	Rubber sealing strip(Meter) Gummiprofil(Meter); Gummiblock(Meter); Pavé de caoutchouc(Metre)		117157-001	
13	Screw Skruv; Schraube; Vis	1	29606	
14	Nut Mutter; Mutter; Ecrou	4	20016	
15	Screw Skruv; Schraube; Vis	4	22337	
16	Bracket Fäste; Halterung; Support	1	210252	
17	Nut Mutter; Mutter; Ecrou	1	20433	
18	Damper Dämpare; Dämpfer; Attenteur	1	215784	
19	Screw Skruv; Schraube; Vis	3	20031	
20	Damper Dämpare; Dämpfer; Attenteur	2	218270	
21	Bracket Fäste; Halterung; Support	1	210253	

0450-00081 Motor fixing points

[2005-03-11]

Motorupphängning/-fästen; Motoraufhängung/Halterung; Points de fixation moteur;

			790 7SLL13.5S	738240 -
Pos	Description	Pcs	Part No	Note
11	Plug Plugg; Pfropf; Bouchon	1	177636	
12	Locking ring Spärring; Schliessring; Circlip	1	20004	
13	Washer Bricka; Scheibe; Rondelle	1	20882	
14	Screw Skruv; Schraube; Vis	8	20532	
15	Washer Bricka; Scheibe; Rondelle	8	20375	
16	Sealing Tätning; Dichtung; Joint	1	28070	
17	O-ring O-ring; O-ring; Joint torique	1	20278	
18	Stud screw Pinnskruv; Stiftschraube; Prisonnier	4	216119	
19	Nut Mutter; Mutter; Ecrou	4	20016	
20	Washer Bricka; Scheibe; Rondelle	1	63081	
21	Nut Mutter; Mutter; Ecrou	1	101097	
22	Screw Skruv; Schraube; Vis	2	20651	

0840-00111 Driver protection

[2005-03-11]

Förarskydd; Fahrerschutz; Protection de cariste;

			790 7SLL13.5S	738240 -
Pos	Description	Pcs	Part No	Note
11	Nut Mutter; Mutter; Ecrou	2	25699	
12	Washer Bricka; Scheibe; Rondelle	2	21035	
13	Nut Mutter; Mutter; Ecrou	2	20433	
14	Bracket Fäste; Halterung; Support	1	203676	
15	Screw Skruv; Schraube; Vis	2	177005	
16	Screw Skruv; Schraube; Vis	2	20400	
17	Screw Skruv; Schraube; Vis	4	23577	
18	Bracket Fäste; Halterung; Support	2	213687	
19	Pedestal bearing Lagerbock; Lagerbock; Palier à chapeau	4	169843	
20	Stopper Stoppanordning; Abstellvorrichtung; Dispositif d'arrêt	1	221451	
21	Sensing device Induktivgivare; Fühler; Emetteur	1	212481-015	
22	Screw Skruv; Schraube; Vis	2	28330	
23	Screw Skruv; Schraube; Vis	4	29949	
24	Nut Mutter; Mutter; Ecrou	4	20130	
25	Nut Mutter; Mutter; Ecrou	2	25699	
26	Washer Bricka; Scheibe; Rondelle	2	21035	
27	Sensing device Induktivgivare; Fühler; Emetteur	1	212481-015	
28	Screw Skruv; Schraube; Vis	2	177005	
29	Bracket Fäste; Halterung; Support	1	216604	
30	Gate Grind; Schranke; Barrière	1	207764-087	
31	Screw Skruv; Schraube; Vis	1	28328	
32	Gas suspension Gasfjäder; Gasfederung; Suspension à gaz	1	178776-001	
33	Screw Skruv; Schraube; Vis	2	20938	
34	Protection Skydd; Schutz; Protègee	2	216605-001	
35	Shim Shims; Schim; Cale		219899	Pcs as needed Antal efter behov; Anzahl nach bedarf; Nombre éligible

2550-00072 Mechanical drive gear unit

[2005-08-29]

Drivaggregat/-växel; Antriebsaggregat/-getriebe; Groupe de traction, réducteur;

			790 7SLL13.5S	910327 -
Pos	Description	Pcs	Part No	Note
01	Driving gear compl. Drivväxel kompl.; Antriebsatz kompl.; Groupe de entraînement compl.	1	221287	
11	Steering bearing Styrlager; Steuerlager; Roulement de commande	1	180189	
12	Sealing ring Tätningssring; Dichtungsring; Bague d'étanchéité	1	27210	
13	Air bleeder Luftventil; Luftnippel; Soupape (air)	1	27211	
14	Dip stick Oljesticka; Ölmesstab; Jauge d'huile	1	135915	
15	Washer Bricka; Scheibe; Rondelle	1	28998	
16	Gear wheel Kugghjul; Zahnrad; Roue dentée	1	210524	Steering arm with servo Manöverarmsstyrning med servo; Steuerarm mit servo; Bras de manoeuvre, servo
16	Gear ring Kuggring; Zahnkranz; Couronne dentée	1	223920	Steering arm without servo Manöverarmsstyrning utan servo; Steuerarm ohne servo; Bras de manoeuvre sans servo
17	Nut Mutter; Mutter; Ecrou	1	101097	
18	Washer Bricka; Scheibe; Rondelle	1	63081	
19	Packing Packning; Packung; Étanchage	1	135345	
20	Gear wheel Kugghjul; Zahnrad; Roue dentée	1	223844	
21	Bearing Lager; Lager; Roulement	1	27207	
22	Shim(0,05mm) Shims; Schim; Cale		27232	
22	Shim(0,1mm) Shims; Schim; Cale		27233	
22	Shim(0,2mm) Shims; Schim; Cale		27234	
22	Shim(0,3mm) Shims; Schim; Cale		27235	
22	Shim(0,5 mm) Shims; Schim; Cale		27236	
22	Shim(1 mm) Shims; Schim; Cale		27237	
23	Shim(0,05mm) Shims; Schim; Cale		27220	
23	Shim(0,1mm) Shims; Schim; Cale		27221	
23	Shim(0,2mm) Shims; Schim; Cale		27222	
23	Shim(0,3mm) Shims; Schim; Cale		27223	
23	Shim(0,5mm) Shims; Schim; Cale		27224	
23	Shim(1 mm) Shims; Schim; Cale		27225	
24	Roller bearing Rullager; Rollenlager; Palier à rouleaux	1	27208	
25	Spare part kit : Bevel gear Reservdelssats : Koniskt kugghjul; Satz : Kegelarad; Jeux : Roue conique à denture droite	1	101092	
26	Gear wheel Kugghjul; Zahnrad; Roue dentée	1	223845	

3550-00368 Fork/support arm wheels

[2005-08-26]

Gaffel-/stödbenshjul; Gabel-/Stützarmrollen; Roues bras-support;

		790 7SLL13.5S	910327 -
Pos	Description	Pcs	Part No
11	Screw Skruv; Schraube; Vis	2	150132
12	Greasing nipple Smörjnippel; Smiernippel; Graisseur	2	22410
13	Bush Bussning; Bague; Bague	2	212046-002
14	Link Länk; Gelenk; Bras	2	213620
15	Wheel complete Hjul komplett; Rad komplett; Roue complete	2	220212
16	Locking ring Spärring; Schliessring; Circlip	2	20019
17	Axle Axel; Achse; Axe	1	32908
18	Wheel complete Hjul komplett; Rad komplett; Roue complete	1	215177

CLICK HERE TO **DOWNLOAD** THE COMPLETE MANUAL

- Thank you very much for reading the preview of the manual.
- You can download the complete manual from: www.heydownloads.com by clicking the link below



- Please note: If there is no response to CLICKING the link, please download this PDF first and then click on it.

CLICK HERE TO **DOWNLOAD** THE COMPLETE MANUAL

5820-00134 Lift/lowering/reach movement probes/sensors

[2005-03-11]

Lyft-/sänk-/skjutrörelse-givare/-sensor; Hub-/Senk-/Schubgeber/-sensor; Capteurs de levage/
descente/rétraction;

<i>Duplex Tele</i>			790 7SLL13.5S	738240 -
Pos	Description	Pcs	Part No	Note
11	Magnet Magnet; Magnet; Magnétique	1	172622	
12	Screw Skruv; Schraube; Vis	1	213816	
13	Nut Mutter; Mutter; Ecrou	1	21094	
14	Washer Bricka; Scheibe; Rondelle	1	20236	
15	Sensor(Incl. wiring harness) Givare(Inkl. kablage); Geber(Inkl. kabelsatz); Capteur(Incl. Câblage)	1	216533-085	
16	Damper Dämpare; Dämpfer; Attenteur	2	136060	
17	Washer Bricka; Scheibe; Rondelle	4	22417	
18	Nut Mutter; Mutter; Ecrou	4	28972	
19	Bracket Fäste; Halterung; Support	1	220635	
20	Screw Skruv; Schraube; Vis	2	21935	
21	Washer Bricka; Scheibe; Rondelle	2	126723-003	

6100-00186 Hydraulic unit

[2005-03-11]

Hydraulaggregat; Hydraulikaggregat; Unité hydraulique;

			790 7SLL13.5S	738240 -
Pos	Description	Pcs	Part No	Note
01	Hydraulic unit(Complete) Hydraulenhet(Komplett); Hydraulikeinheit(Komplett); Unite hydraulique(Comple)	1	215971	Replaced by new spare part Ersatt av ny reservdel; Ersetzen mit neue Ersatzteil; Remplacement, nouvelle pièce de rechange
01	Hydraulic unit(Complete) Hydraulenhet(Komplett); Hydraulikeinheit(Komplett); Unite hydraulique(Comple)	1	221225	
02	Pipe Rör; Rohr; Tube	1	219097	
11	Valve Ventil; Ventil; Soupape	2	219093	
12	Valve Ventil; Ventil; Soupape	1	219091	
13	Valve unit Ventilblock; Ventileinheit; Soupape unit	1	219090	
14	Pressure relais Tryckvakt; Druckwächter; Soupape de compression	2	219095	
15	Non return valve Backventil; Rückschlagklappe; Clapet de retenue	1	218745	
16	Screw Skruv; Schraube; Vis	3	20891	
17	Restriction valve Sänkbromsventil; Drosselventil; Soupape de reduction	1	219092	
18	Pump Pump; Pump; Pumpe	1	219087	
19	Washer Bricka; Scheibe; Rondelle	4	22528	
20	Screw Skruv; Schraube; Vis	2	26710	
21	Pipe Rör; Rohr; Tube	1	219080	
22	Tank Tank; Behälter; Reservoir	1	218747	
23	Screw Skruv; Schraube; Vis	3	21141	
24	Washer Bricka; Scheibe; Rondelle	3	22528	
25	Connection Koppling; Kupplung; Raccord	1	219086	
26	Adapter Adapter; Adapter; Bague d'ajustage	1	218730	
27	Pressure reducing valve Tryckbegränsningsventil; Druckreduzierventil; Soupape de réglage de pression	1	219094	
28	Assembly kit Monteringssats; Montagezats; Jeux de montage	1	219082	
29	Air filter Luffilter; Luftfilter; Filtre de aire	1	218806	
30	O-ring(Kit) O-ring(Sats); O-ring(satz); Joint torique(Jeux)	1	219096	

Pos	Description	Pcs	Part No	Note
01	Lifting cylinder compl(L = 1939 mm) Lyftcylinder kompl.; Hubzylinder Kompl.; Verin de levage compl.	2	140465-335	
01	Lifting cylinder compl(L = 2149 mm) Lyftcylinder kompl.; Hubzylinder Kompl.; Verin de levage compl.	2	140465-375	
01	Lifting cylinder compl(L = 2349 mm) Lyftcylinder kompl.; Hubzylinder Kompl.; Verin de levage compl.	2	140465-415	
02	Packing set Packningssats; Packungssatz; Jeux d' étanchéité.	2	140626	
03	Cylinder pipe Cylinderrör; Zylinderrohr; Tube de cylindre	2	143019-280	
03	Cylinder pipe Cylinderrör; Zylinderrohr; Tube de cylindre	2	143019-290	
03	Cylinder pipe Cylinderrör; Zylinderrohr; Tube de cylindre	2	143019-335	
03	Cylinder pipe Cylinderrör; Zylinderrohr; Tube de cylindre	2	143019-375	
03	Cylinder pipe Cylinderrör; Zylinderrohr; Tube de cylindre	2	143019-415	
05	Piston rod Kolvstång; Kolbenstange; Tige de piston	2	141874-280	
05	Piston rod Kolvstång; Kolbenstange; Tige de piston	2	141874-290	
05	Piston rod Kolvstång; Kolbenstange; Tige de piston	2	141874-335	
05	Piston rod Kolvstång; Kolbenstange; Tige de piston	2	141874-375	
05	Piston rod Kolvstång; Kolbenstange; Tige de piston	2	141874-415	
11	Guide Styrning; Steuerung; Guidage	2	140648	
12	Locking ring Spärring; Schliessring; Circlip	2	141882	
13	Ring Ring; Ring; Bague	2	140647	
14	Restriction valve Sänkbromsventil; Drosselventil; Soupape de reduction	2	24154	
15	Screw Skruv; Schraube; Vis	2	28308	
16	Washer Bricka; Scheibe; Rondelle	2	21393	
17	Stop screw Stoppskruv; Einstellschraube; Vis de arretoire	2	21346	
18	Shim(1 mm) Shims; Schim; Cale		105454	
19	Shim(0,5 mm) Shims; Schim; Cale		120531	
20	Screw Skruv; Schraube; Vis	2	24651	
21	Washer Bricka; Scheibe; Rondelle	2	126723-004	
22	Plate Plåt; Platte; Plaque	2	139117	
23	Screw Skruv; Schraube; Vis	4	21935	
24	Washer Bricka; Scheibe; Rondelle	4	20404	
25	Screw Skruv; Schraube; Vis	2	28590	
26	Locking plate Låsplåt; Schlussplatte; Lame de serrage	2	160448	

Pos	Description	Pcs	Part No	Note
46	Hose Slang; Schlauch; Tuyau flexible	1	140471-335	
46	Hose Slang; Schlauch; Tuyau flexible	1	140471-375	
46	Hose Slang; Schlauch; Tuyau flexible	1	140471-415	
46	Hose Slang; Schlauch; Tuyau flexible	1	140471-450	
46	Hose Slang; Schlauch; Tuyau flexible	1	140471-540	
47	Clamp Klamma; Rohrschelle; Collier	1	140643	
48	Lifting chain complete(L = 1391 mm) Lyftkedja komplett; Hubkette Komplett; Chaîne d'élévation complet	2	140461-335	
48	Lifting chain complete(L = 1543 mm) Lyftkedja komplett; Hubkette Komplett; Chaîne d'élévation complet	2	140461-375	
48	Lifting chain complete(L = 1657 mm) Lyftkedja komplett; Hubkette Komplett; Chaîne d'élévation complet	2	140461-415	
48	Lifting chain complete(L = 1772 mm) Lyftkedja komplett; Hubkette Komplett; Chaîne d'élévation complet	2	140461-450	
48	Lifting chain complete(L = 2076 mm) Lyftkedja komplett; Hubkette Komplett; Chaîne d'élévation complet	2	140461-540	
49	Damper Dämpare; Dämpfer; Attenteur	2	105388	
49	Screw Skruv; Schraube; Vis	2	21750	
50	Washer Bricka; Scheibe; Rondelle		119374	Pcs as needed Antal efter behov; Anzahl nach bedarf; Nombre éligible

CLICK HERE TO **DOWNLOAD** THE COMPLETE MANUAL

- Thank you very much for reading the preview of the manual.
- You can download the complete manual from: www.heydownloads.com by clicking the link below



- Please note: If there is no response to CLICKING the link, please download this PDF first and then click on it.

CLICK HERE TO **DOWNLOAD** THE COMPLETE MANUAL