

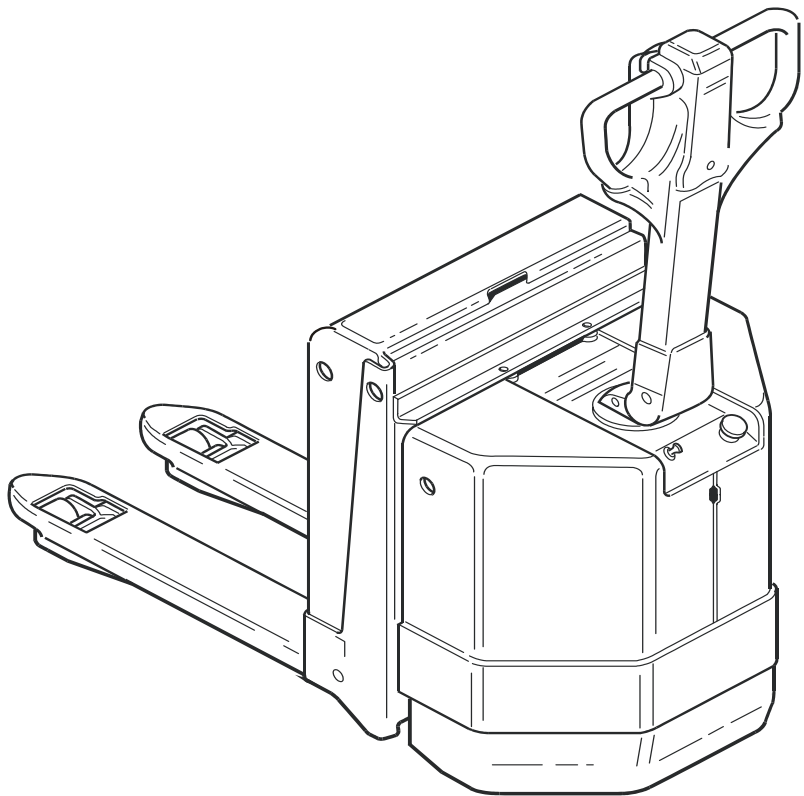
TOYOTA

Powered Pallet Truck 7 PM 18 / 7 PM 20 / 7 PM20N

Valid for machine number: 723981 -

Only valid for machine number:

--	--	--	--	--	--	--	--



Spare Parts Catalogue

Ordering number219220

Date2004-10-01/ITS

CLICK HERE TO **DOWNLOAD** THE COMPLETE MANUAL

- Thank you very much for reading the preview of the manual.
- You can download the complete manual from: www.heydownloads.com by clicking the link below



- Please note: If there is no response to CLICKING the link, please download this PDF first and then click on it.

CLICK HERE TO **DOWNLOAD** THE COMPLETE MANUAL

0380-00374 Fork frame (low lifters)

[2004-08-26]

Gaffelstomme (låglyftare); Gabelchassis (Niederhubwagen); Châssis (transpalette);

e = 156 mm			677 7 PM 18 678 7 PM20N	580443 - 580443 -
Pos	Description	Pcs	Part No	Note
11	Ear Öra; Halter; Etrier	2	138209	
12	Ear Öra; Halter; Etrier	2	138210	
13	Bracket Fäste; Halterung; Support	2	47110	
14	Locking pin Spännstift; Spannstift; Goupille	2	20014	
15	Link Länk; Gelenk; Bras	2	109319	
16	Bush Bussning; Bague; Bague	4	140173	
17	Washer Bricka; Scheibe; Rondelle	4	20013	
18	Split pin Hårnålssprint; Splint; Goupiller	2	28925	
19	Axle(Stainless Steel) Axel(Rostfri); Achse(Nichtrostende); Axe(Inoxydable)	1	212781	
19	Axle Axel; Achse; Axe	1	212782	
20	Bracket Fäste; Halterung; Support	1	212780	
21	Screw Skruv; Schraube; Vis	1	29768	
22	Greasing nipple Smörjnippel; Smiernippel; Graisseur	2	22410	
23	Cotter pin Saxpinne; Gespalter stift; Goupille fendue	2	20313	
24	Torsion tube compl Vridrör kompl; Drehrohr Kompl; Levier de tringle compl	1	171941-001	b5=450 mm
24	Torsion tube compl Vridrör kompl; Drehrohr Kompl; Levier de tringle compl	1	171941-002	b5=520 mm
24	Torsion tube compl Vridrör kompl; Drehrohr Kompl; Levier de tringle compl	1	171941-003	b5=550 mm
24	Torsion tube compl Vridrör kompl; Drehrohr Kompl; Levier de tringle compl	1	171941-004	b5=570 mm
24	Torsion tube compl Vridrör kompl; Drehrohr Kompl; Levier de tringle compl	1	171941-005	b5=685 mm
24	Torsion tube compl Vridrör kompl; Drehrohr Kompl; Levier de tringle compl	1	171941-006	b5=400 mm
24	Torsion tube compl Vridrör kompl; Drehrohr Kompl; Levier de tringle compl	1	171941-007	b5=580 mm
24	Torsion tube compl Vridrör kompl; Drehrohr Kompl; Levier de tringle compl	1	171941-008	b5=650 mm
24	Torsion tube(b5=536 mm) Vridrör; Drehrohr; Levier de tringle	1	171941-009	
25	Bush Bussning; Bague; Bague	2	169807	
26	Bush Bussning; Bague; Bague	2	140173	
27	Axle Axel; Achse; Axe	2	134521	
28	Screw Skruv; Schraube; Vis	2	29522	
29	Locking pin Spännstift; Spannstift; Goupille	2	20001	
30	Axle Axel; Achse; Axe	2	126131	
30	Axle(Stainless Steel) Axel(Rostfri); Achse(Nichtrostende); Axe(Inoxydable)	2	128507	

0390-00121 Battery compartment parts

[2004-05-13]

Batteriutrymmesdelar; Batterieraumteile; Pièces de compartiment batterie;

DIN		678 7 PM 20	413000 -	
Pos	Description	Pcs	Part No	Note
11	Washer Bricka; Scheibe; Rondelle	2	20404	
12	Screw Skruv; Schraube; Vis	2	20078	
13	Damper Dämpare; Dämpfer; Attenteur	1	166490	
14	Bracket Fäste; Halterung; Support	1	179909	
15	Nut Mutter; Mutter; Ecrou	2	20096	
16	Screw Skruv; Schraube; Vis	2	21251	
17	Washer Bricka; Scheibe; Rondelle	8	164052	
18	Washer Bricka; Scheibe; Rondelle	2	21016	
19	Locking device Låsanordning; Verschluss; verrouillage	1	179888	
25	Screw Skruv; Schraube; Vis	2	28922	
26	Battery door(Orange) Batterilucka; Batterietür; Porte de batterie	1	180418-031	L = 346 mm
27	Locking plate Låsplåt; Schlussplatte; Lame de serrage	1	134517	
28	Screw Skruv; Schraube; Vis	1	20184	
29	Nut Mutter; Mutter; Ecrou	1	20016	
30	Nut Mutter; Mutter; Ecrou	2	20016	
33	Screw Skruv; Schraube; Vis	6	28548	
34	Distance piece Distans; Distanz; Distance	1	179049	Right Höger; Recht; Droit
35	Distance piece Distans; Distanz; Distance	1	179050	Left Vänster; Links; Gauge
36	Battery roller Batterirulle; Batterierolle; Rolea de batterie	4	163259-015	L2 = 269 mm
37	Roller Rulle; Rolle; Roleau	4	163258-015	L1 = 250 mm
38	Ball bearing Kullager; Kugellager; Roulement a billes	8	22930	
39	Axle Axel; Achse; Axe	4	163257-015	L2 = 269 mm
40	Damper Dämpare; Dämpfer; Attenteur	1	181804	

1760-00101 Electric drive motor

[2004-08-26]

Elektrisk åkmotor; Elektro-Fahrmotor; Moteur de traction électrique;

			677 7 PM 18	704423 -
Pos	Description	Pcs	Part No	Note
11	Motor(Complete) Motor(Komplett); Motor(Komplett); Moteur(Complet)	1	214998	
12	Carbon brush Kolborste; Kohlebürste; Charbon	4	161611	
13	Cable Kabel; Kabel; Câble	2	27899	
14	Screw Skruv; Schraube; Vis	6	20224	
15	Washer Bricka; Scheibe; Rondelle	6	21351	
16	Cable Kabel; Kabel; Câble	1	216025	
17	Cable Kabel; Kabel; Câble	1	175312	
18	Locking ring Spårring; Schliessring; Circlip	1	20923	
19	Locking ring Spårring; Schliessring; Circlip	1	29515	
20	Washer Bricka; Scheibe; Rondelle	1	29516	
21	Ball bearing Kullager; Kugellager; Roulement a billes	1	26102	
22	Sealing Tätning; Dichtung; Joint	1	28884	
23	End shield Lagersköld; Lagerschild; Bouclier	1	139172	
24	Stator Stator; Ständer; Stator	1	216024	
25	Plug Propp; Pfropfen; Bouchon	4	148206	
26	Rotor Rotor; Rotor; Rotor	1	216028	
27	Key Kil; Keil; Clavette	1	27900	
28	Brush bridge Borstbrygga; Bürstenbrücke; Support de porte balais	1	216019	
29	Locking ring Spårring; Schliessring; Circlip	1	22122	
30	Bearing Lager; Lager; Roulement	1	28560	
31	Locking ring Spårring; Schliessring; Circlip	1	27542	
32	End shield Lagersköld; Lagerschild; Bouclier	1	175309	
33	Washer Bricka; Scheibe; Rondelle	8	21351	
34	Screw Skruv; Schraube; Vis	8	20224	
35	Washer Bricka; Scheibe; Rondelle	1	29517	
36	Screw Skruv; Schraube; Vis	4	175320	
37	Screw Skruv; Schraube; Vis	4	21272	
38	Washer Bricka; Scheibe; Rondelle	4	20236	
39	Washer Bricka; Scheibe; Rondelle	4	21307	

3540-00032 Support/castor wheels

[2004-08-26]

Stöd-/länkhjul; Stützräder/Gelenkrollen; Roues stabilisatrices/pivotantes;

Pos	Description	Pcs	Part No	Note
			677 7 PM 18 678 7 PM 20 678 7 PM20N	410997 - 410997 - 410997 -
01	Link wheel compl. Länkhjul kompl.; Gelenkrad kompl.; Roue articulée compl.	2	136135	B = 40 mm
01	Link wheel compl. Länkhjul kompl.; Gelenkrad kompl.; Roue articulée compl.	2	157946	B = 50 mm
02	Wheel Hjul; Rad; Roue	2	134698	B = 40 mm
02	Wheel Hjul; Rad; Roue	2	156259	B = 50 mm
11	Locking ring Spärring; Schliessring; Circlip	2	20008	
12	Washer Bricka; Scheibe; Rondelle	2	69550	
13	Bracket Fäste; Halterung; Support	2	135842	
14	Screw Skruv; Schraube; Vis	8	29949	
15	Nut Mutter; Mutter; Ecrou	8	20130	
16	Bearing Lager; Lager; Roulement	2	28940	
17	Locking ring Spärring; Schliessring; Circlip	2	22759	
18	Screw Skruv; Schraube; Vis	2	20933	
19	Distance piece Distans; Distanz; Distance	2	136140	
20	Washer Bricka; Scheibe; Rondelle	4	136589	B = 40 mm
20	Distance piece Distans; Distanz; Distance	4	24115	B = 50 mm
21	Bearing Lager; Lager; Roulement	2	22226	
22	Protection Skydd; Schutz; Protègege	2	136138	
23	Nut Mutter; Mutter; Ecrou	2	20130	

4110-00361 Steering arm/wheel/lever

[2004-10-01]

Styr- arm/ratt/spak; Deichsel, Lenkrad/-hebel; Timon/volant/levier de direction;

Pos	Description	Pcs	Part No	Note
			677 7 PM 18 678 7 PM 20 678 7 PM20N	723981 - 723981 - 723981 -
11	Symbol plate(Fork lower) Symbolplatta(Gaffelsänk); Zeichenplatte(Gabelabsenkung); Plaque de sym- bole(Descente de la fourche)	1	171585-003	
12	Symbol plate(Fork lift) Symbolplatta(Gaffellyft); Zeichenplatte(Hubgabel); Plaque de sym- bole(Fourche élévation)	1	171585-004	
13	Push-button(Complete) Tryckknapp(Komplett); Druckknopf(Komplett); Bouton(Complet)	1	171666	Front Främre; Vordere; Avant
14	Push-button(Complete) Tryckknapp(Komplett); Druckknopf(Komplett); Bouton(Complet)	1	171664	Switch for safety reversing Brytare för säkerhetsreversering; Sicherheitsrücklaufschalter; Bouton rouge anti-écrasement
15	Push-button(Complete) Tryckknapp(Komplett); Druckknopf(Komplett); Bouton(Complet)	1	171665	upper övre; obere; supérieur
16	Symbol plate(No function) Symbolplatta(Ingen funktion); Zeichenplatte(keine Funktion); Plaque de sym- bole(aucune fonction)	1	171583	
17	Symbol plate(No function) Symbolplatta(Ingen funktion); Zeichenplatte(keine Funktion); Plaque de sym- bole(aucune fonction)	1	171583	
18	Screw Skruv; Schraube; Vis	2	171708	
19	Washer Bricka; Scheibe; Rondelle	2	171710	
20	Rocker(Left) Vippa(Vänster); Kippe(Links); Levier oscillant(Gauge)	1	167841	
21	Bearing Lager; Lager; Roulement	2	167846	
22	Support Hållare; Stossfänger; Absorber des chocs	2	167844	
23	Spring Fjäder; Feder; Ressort	1	167840	
24	Axle Axel; Achse; Axe	1	167843	
25	Arm Arm; Arm; Bras	1	167845	
26	Stop lug Stoppklack; Anslagsstück; Arrêter	1	167830	
27	Rocker(Right) Vippa(Höger); Kippe(Recht); Levier oscillant(Droit)	1	167842	
28	Electronic card(Including software) Elektronikkort(Inklusive programvara); Elektronikkarte(Inklusive software); Carte électronique(Compris logiciel)	1	179927-107	
29	Spring Fjäder; Feder; Ressort	1	167839	
30	Housing Kåpa; Haus; Chape	1	167835	
31	Spring Fjäder; Feder; Ressort	1	167836	
32	Housing Kåpa; Haus; Chape	1	167822	
33	Push-button(Left) Tryckknapp(Vänster); Druckknopf(Links); Bouton(Gauge)	1	167848	Horn Signalhorn; Signal; Signal
34	Cover(Transparent plastic) Lock(Plastglas); Deckel(Organisches glass); Couverture(Plastique transparent)	1	167823	
35	Sealing Tätning; Dichtung; Joint	1	169910	
36	Push-button(Right) Tryckknapp(Höger); Druckknopf(Recht); Bouton(Droit)	1	167847	Horn Signalhorn; Signal; Signal
37	Sealing Tätning; Dichtung; Joint	1	167850	

5190-00082 Battery cut out connector/contactor

[2004-08-26]

Batterifrånskiljare, huvudkontaktör; Batterietrennung, Hauptkontaktör; Coupe-circuit de batterie, contacteur;

Pos	Description	Pcs	Part No	Note
			677 7 PM 18 678 7 PM 20 678 7 PM20N	589637 - 589637 - 589637 -
11	Battery connector with cable cpl. Batterihandske med kabel kpl.; Stromstecker mit Kabel Kpl; Bloc de connexion avec câble cpl.	1	172443	Battery Batteri; Batterie; Batterie
13	Handle Handtag; Handgriff; Poignée.	1	171686	
14	Screw Skruv; Schraube; Vis	2	29985	
15	Connector Handske; Stecker; Bloc de connexion	1	171680	
16	Gender key Kodpinne; Code-Stift; Code-goupille	1	171703-002	
17	Nut Mutter; Mutter; Ecrou	2	20433	
18	Screw Skruv; Schraube; Vis	2	20224	
19	Gender key Kodpinne; Code-Stift; Code-goupille	1	171703-001	
20	Connector Handske; Stecker; Bloc de connexion	1	171681	
21	Nut Mutter; Mutter; Ecrou	2	172413	
22	Cable(+) Kabel; Kabel; Câble	1	172425	
23	Cable(-) Kabel; Kabel; Câble	1	172426	
24	Cable(1) Kabel; Kabel; Câble	1	172427	
25	Cable(40) Kabel; Kabel; Câble	1	172428	

6100-00059 Hydraulic unit

[2004-08-26]

Hydraulaggregat; Hydraulikaggregat; Unité hydraulique;

			677 7 PM 18	410997 -
Pos	Description	Pcs	Part No	Note
01	Pump unit compl. Pumpenhet kompl.; Pumpeinheit kompl.; Unite de pompe compl.	1	163846	
02	Packing set Packningssats; Packungssatz; Jeux d' étanchéité.	1	163860	
11	Screw Skruv; Schraube; Vis	2	20044	
12	Washer Bricka; Scheibe; Rondelle	2	21393	
13	Non return valve Backventil; Rückschlagklappe; Clapet de retenue	1	163857	
14	Pressure reducing valve Tryckbegränsningsventil; Druckreduzierventil; Soupape de réglage de pression	1	163856	
15	Valve unit Ventilblock; Ventileinheit; Soupape unit	1	163855	
16	Clamp Klamma; Rohrschelle; Collier	1	163852	
17	Cover Lock; Deckel; Couvercle	1	163854	
18	Filler tube Påfyllningsrör; Füllstutzen; Tuyau de remplissage	1	163851	
19	Tank Tank; Behälter; Reservoir	1	163850	
20	Filter Filter; Filter; Filtre	1	163853	
21	Pump Pump; Pump; Pumpe	1	163847	
22	Magnet valve Magnetventil; Magnetventil; Distributeur électromagnétique	1	163858	
24	Valve Ventil; Ventil; Soupape	1	163861	

9400-00055 Extra electrical equipment

[2002-03-12]

Extra elektrisk utrustning; Elektrische Zusatzausrüstung; Equipement électrique supplémentaire;

Only UK; Endast UK; Nur UK; Seulement UK		677 7 PM 18 678 7 PM 20 678 7 PM20N		410997 - 410997 - 410997 -	
Pos	Description	Pcs	Part No	Note	
11	Battery charger(Complete) Batteriladdare(Komplett); Batterieladevorrichtung(Komplett); Chargeur (batterie)(Complett)	1	175195		
12	Contact Kontakt; Kontakt; Contact	1	177321		
13	Wiring harness Kablage; Kabelsatz; Cäblage	1	167208		
14	Screw Skruv; Schraube; Vis	3	28835		
15	Washer Bricka; Scheibe; Rondelle	1	20375		
16	Screw Skruv; Schraube; Vis	1	21503		
17	Fan Fläkt; Kühlgebläse; Ventilateur	1	164871		
18	Battery charger Batteriladdare; Batterieladevorrichtung; Chargeur (batterie)	1	180512-001		
19	Fuse(6,3 A) Säkring; Sicherung; Fusible	1	28302		
20	Distance piece Distans; Distanz; Distance	4	27022		
21	Cover(Orange) Huv; Haube; Capot	1	175019-031		
22	Sign Skylt; Schild; Vignette	1	164927		
24	List(Meter) List(Meter); Leiste(Meter); Bande(Metre)	1	21762		

CLICK HERE TO **DOWNLOAD** THE COMPLETE MANUAL

- Thank you very much for reading the preview of the manual.
- You can download the complete manual from: www.heydownloads.com by clicking the link below



- Please note: If there is no response to CLICKING the link, please download this PDF first and then click on it.

CLICK HERE TO **DOWNLOAD** THE COMPLETE MANUAL