

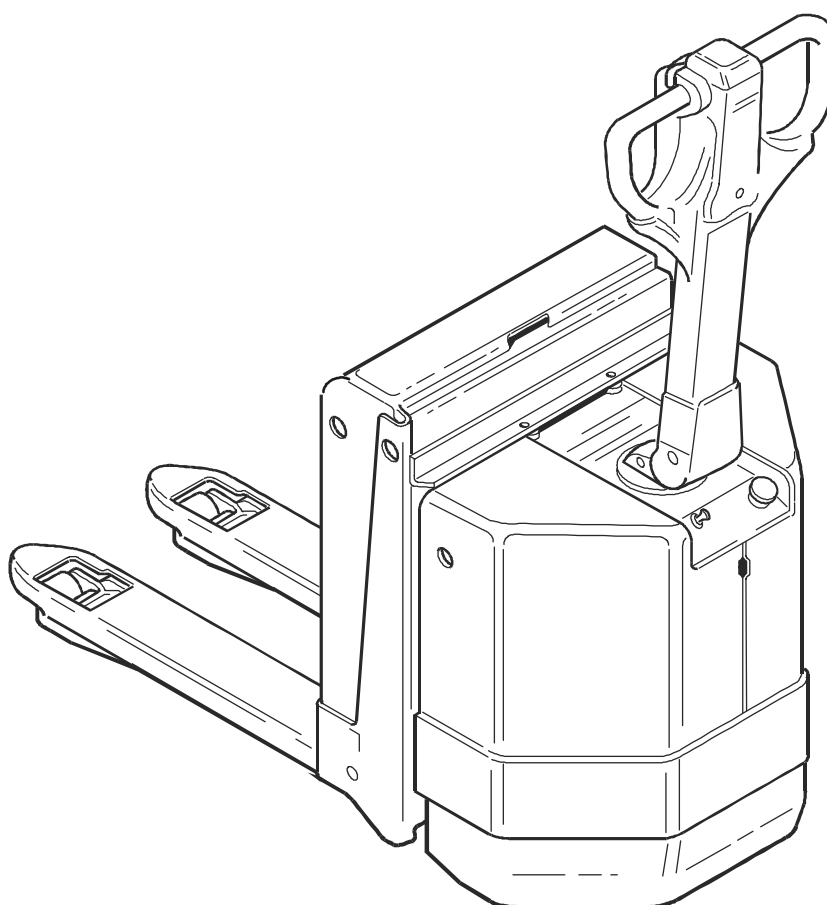
TOYOTA

Powered Pallet Truck 2 PM 18 / 2 PM 20 / 2 PM20N

Valid for machine number: 406404AT -

Only valid for machine number:

--	--	--	--	--	--	--	--



Spare Parts Catalogue

Ordering number 180672

Date 2001-03-27/ESIJ

CLICK HERE TO **DOWNLOAD** THE COMPLETE MANUAL

- Thank you very much for reading the preview of the manual.
- You can download the complete manual from: www.heydownloads.com by clicking the link below



- Please note: If there is no response to CLICKING the link, please download this PDF first and then click on it.

CLICK HERE TO **DOWNLOAD** THE COMPLETE MANUAL

0380-134 Fork frame (low lifters)

[2001-02-08]

Gaffelstomme (låglyftare); Gabelchassis (Niederhubwagen); Châssis (transpalette)

e = 156 mm		677 2 PM 18 678 2 PM20N	364690 - 364690 -	
Pos	Description	Pcs	Part No	Note
11	Ear Öra; Halter; Etrier	2	138209	
12	Ear Öra; Halter; Etrier	2	138210	
13	Bracket Fäste; Halterung; Support	2	47110	
14	Locking pin Spännstift; Spannstift; Goupille	2	20014	
15	Link Länk; Gelenk; Bras	2	109319	
16	Bush Bussning; Bague; Bague	4	140173	
17	Washer Bricka; Scheibe; Rondelle	4	20013	
18	Split pin Håmålssprint; Splint; Goupiller	2	28925	
19	Axle Axel; Achse; Axe	1	172644	
20	Bracket Fäste; Halterung; Support	1	152111	
21	Screw Skruv; Schraube; Vis	1	29768	
22	Greasing nipple Smörjnippel; Smiernippel; Graisseur	2	22410	
23	Cotter pin Saxpinne; Gespalter stift; Goupille fendue	2	20313	
24	Torsion tube compl Vridrör kompl; Drehrohr Kompl; Levier de tringle compl	1	171941-001	b5=450 mm
24	Torsion tube compl Vridrör kompl; Drehrohr Kompl; Levier de tringle compl	1	171941-002	b5=520 mm
24	Torsion tube compl Vridrör kompl; Drehrohr Kompl; Levier de tringle compl	1	171941-003	b5=550 mm
24	Torsion tube compl Vridrör kompl; Drehrohr Kompl; Levier de tringle compl	1	171941-004	b5=570 mm
24	Torsion tube compl Vridrör kompl; Drehrohr Kompl; Levier de tringle compl	1	171941-005	b5=685 mm
24	Torsion tube compl Vridrör kompl; Drehrohr Kompl; Levier de tringle compl	1	171941-006	b5=400 mm
24	Torsion tube compl Vridrör kompl; Drehrohr Kompl; Levier de tringle compl	1	171941-007	b5=580 mm
24	Torsion tube compl Vridrör kompl; Drehrohr Kompl; Levier de tringle compl	1	171941-008	b5=650 mm
24	Torsion tube(b5=536 mm) Vridrör; Drehrohr; Levier de tringle	1	171941-009	
25	Bush Bussning; Bague; Bague	2	169807	
26	Bush Bussning; Bague; Bague	2	140173	
27	Axle Axel; Achse; Axe	2	134521	
28	Screw Skruv; Schraube; Vis	2	29522	
29	Locking pin Spännstift; Spannstift; Goupille	2	20001	
30	Axle Axel; Achse; Axe	2	126131	
30	Axle(Stainless Steel) Axel(Rostfri); Achse(Nichtrostende); Axe(Inoxydable)	2	128507	
31	Greasing nipple Smörjnippel; Smiernippel; Graisseur	4	27662	

0400-024 Frame/chassis components

[2000-11-08]

Ram-monterade detaljer; Chassisanbauteile; Composants du châssis

Pos	Description	Pcs	Part No	Note
			677 2 PM 18 678 2 PM 20 678 2 PM20N	364690 - 364690 - 364690 -
11	Dust guard Damask; Gamaschen; Dispositif de protection	1	169285	
12	Cap Lock; Deckel; Couvercle	1	139240-190	
13	Plate(Orange) Plåt; Platte; Plaque	1	169803-031	
14	Screw Skruv; Schraube; Vis	6	20184	
15	Nut Mutter; Mutter; Erou	2	20130	
16	Washer Bricka; Scheibe; Rondelle	12	126723-003	

Pos	Description	Pcs	Part No	Note
18	Locking ring Spårring; Schliessring; Circlip	1	20923	
19	Locking ring Spårring; Schliessring; Circlip	1	29515	
20	Washer Bricka; Scheibe; Rondelle	1	29516	
21	Ball bearing Kullager; Kugellager; Roulement a billes	1	26102	
22	Sealing Tätning; Dichtung; Joint	1	28884	
23	End shield Lagersköld; Lagerschild; Bouclier	1	139172	
24	Stator Stator; Ständer; Stator	1	175306	
25	Plug Propp; Pfropfen; Bouchon	4	148206	
26	Rotor Rotor; Rotor; Rotor	1	139178	
27	Key Kil; Keil; Clavette	1	27900	
28	Brush bridge Borstbrygga; Bürstenbrücke; Support de porte balais	1	135853	
29	Locking ring Spårring; Schliessring; Circlip	1	22122	
30	Bearing Lager; Lager; Roulement	1	28560	
31	Locking ring Spårring; Schliessring; Circlip	1	27542	
32	End shield Lagersköld; Lagerschild; Bouclier	1	175309	
33	Washer Bricka; Scheibe; Rondelle	8	21351	
34	Screw Skruv; Schraube; Vis	8	20224	
35	Washer Bricka; Scheibe; Rondelle	1	29517	
36	Screw Skruv; Schraube; Vis	4	175320	
37	Screw Skruv; Schraube; Vis	4	21272	
38	Washer Bricka; Scheibe; Rondelle	4	20236	
39	Washer Bricka; Scheibe; Rondelle	4	21307	

3540-032 Support/castor wheels

[1999-11-07]

Stöd-/länkhjul; Stützräder/Gelenkrollen; Roues stabilisatrices/pivotantes

Pos	Description	Pcs	Part No	Note
			677 2 PM 18 678 2 PM 20 678 2 PM20N	364690 - 364690 - 364690 -
01	Link wheel compl. Länkhjul kompl.; Gelenkrad kompl.; Roue articulée compl.	2	136135	B = 40 mm
01	Link wheel compl. Länkhjul kompl.; Gelenkrad kompl.; Roue articulée compl.	2	157946	B = 50 mm
02	Wheel Hjul; Rad; Roue	2	134698	B = 40 mm
02	Wheel Hjul; Rad; Roue	2	156259	B = 50 mm
11	Locking ring Spärring; Schliessring; Circlip	2	20008	
12	Washer Bricka; Scheibe; Rondelle	2	69550	
13	Bracket Fäste; Halterung; Support	2	135842	
14	Screw Skruv; Schraube; Vis	8	29949	
15	Nut Mutter; Mutter; Ecrou	8	20130	
16	Bearing Lager; Lager; Roulement	2	28940	
17	Locking ring Spärring; Schliessring; Circlip	2	22759	
18	Screw Skruv; Schraube; Vis	2	20933	
19	Distance piece Distans; Distanz; Distance	2	136140	
20	Washer Bricka; Scheibe; Rondelle	4	136589	B = 40 mm
20	Distance piece Distans; Distanz; Distance	4	24115	B = 50 mm
21	Bearing Lager; Lager; Roulement	2	22226	
22	Protection Skydd; Schutz; Protègege	2	136138	
23	Nut Mutter; Mutter; Ecrou	2	20130	

Pos	Description	Pcs	Part No	Note
68	Screw Skruv; Schraube; Vis	2	171705	
69	Conduit entry Kabelgenomföring; Kabeldurchgang; Traversée de câble	1	171409	
70	Handle Handtag; Handgriff; Poignée.	1	167821	
72	Screw Skruv; Schraube; Vis	2	171706	
73	Plate Plåt; Platte; Plaque	1	169248	
74	Screw Skruv; Schraube; Vis	4	171403	
75	Protection Skydd; Schutz; Protègee	1	169271	
76	Screw Skruv; Schraube; Vis	2	171823	
77	Protection Skydd; Schutz; Protègee	1	169272	
78	Screw Skruv; Schraube; Vis	2	28970	
79	Protection Skydd; Schutz; Protègee	1	169283	
80	Screw Skruv; Schraube; Vis	2	28970	
81	Screw Skruv; Schraube; Vis	1	28518	
82	Bracket Fäste; Halterung; Support	1	177316	
83	Washer Bricka; Scheibe; Rondelle	2	20404	
84	Washer Bricka; Scheibe; Rondelle	4	126723-003	
85	Screw Skruv; Schraube; Vis	2	177637	
86	Bracket Fäste; Halterung; Support	1	178974	
87	Washer Bricka; Scheibe; Rondelle	4	126723-006	
88	Screw Skruv; Schraube; Vis	2	20109	

5190-039 Battery cut out connector/contactor

[2000-09-08]

Batterifrånskiljare, huvudkontaktör; Batterietrennung, Hauptkontaktör; Coupe-circuit de batterie, contacteur

Pos	Description	Pcs	Part No	Note
			677 2 PM 18 678 2 PM 20 678 2 PM20N	364690 - 364690 - 364690 -
11	Battery connector with cable complete(Battery) Batterihandske med kabel komplett(Batteri); Stromstecker mit Kabel komplett(Batterie); Connection fiche avec câble complete(Batterie)	1	174744	Battery Batteri; Batterie; Batterie
12	Cable(+) Kabel; Kabel; Câble	1	172425	
13	Cable(-) Kabel; Kabel; Câble	1	172426	
14	Handle Handtag; Handgriff; Poignée.	1	171686	
15	Screw Skruv; Schraube; Vis	2	29985	
16	Connector Handske; Stecker; Bloc de connexion	1	171680	
17	Gender key Kodpinne; Code-Stift; Code-goupille	1	171703-002	
18	Nut Mutter; Mutter; Erou	2	20433	
19	Battery connector with cable complete Batterihandske med kabel komplett; Stromstecker mit Kabel komplett; Connection fiche avec câble complete	1	174743	
20	Nut Mutter; Mutter; Erou	2	172413	
21	Connector Handske; Stecker; Bloc de connexion	1	171681	
22	Gender key Kodpinne; Code-Stift; Code-goupille	1	171703-001	
23	Cable(40) Kabel; Kabel; Câble	1	174742	
24	Cable(1) Kabel; Kabel; Câble	1	174741	
25	Screw Skruv; Schraube; Vis	2	20750	
26	Clamp Klamma; Rohrschelle; Collier	3	138966	

6100-059 Hydraulic unit

[1999-10-28]

Hydraulaggregat; Hydraulikaggregat; Unité hydraulique

		677 2 PM 18		364690 -	
Pos	Description	Pcs	Part No	Note	
01	Pump unit compl. Pumpenhet kompl.; Pumpeinheit kompl.; Unite de pompe compl.	1	163846		
02	Packing set Packningssats; Packungssatz; Jeux d' étanchéité.	1	163860		
11	Screw Skruv; Schraube; Vis	2	20044		
12	Washer Bricka; Scheibe; Rondelle	2	21393		
13	Non return valve Backventil; Rückschlagklappe; Clapet de retenue	1	163857		
14	Pressure reducing valve Tryckbegränsningsventil; Druckreduzierventil; Soupape de réglage de pression	1	163856		
15	Valve unit Ventilblock; Ventileinheit; Soupape unit	1	163855		
16	Clamp Klamma; Rohrschelle; Collier	1	163852		
17	Cap Lock; Deckel; Couvercle	1	163854		
18	Filler tube Påfyllningsrör; Füllstutzen; Tuyau de remplissage	1	163851		
19	Tank Tank; Behälter; Reservoir	1	163850		
20	Filter Filter; Filter; Filtre	1	163853		
21	Pump Pump; Pump; Pumpe	1	163847		
22	Magnet valve Magnetventil; Magnetventil; Distributeur électromagnétique	1	163858		
24	Valve Ventil; Ventil; Soupape	1	163861		

CLICK HERE TO **DOWNLOAD** THE COMPLETE MANUAL

- Thank you very much for reading the preview of the manual.
- You can download the complete manual from: www.heydownloads.com by clicking the link below



- Please note: If there is no response to CLICKING the link, please download this PDF first and then click on it.

CLICK HERE TO **DOWNLOAD** THE COMPLETE MANUAL