

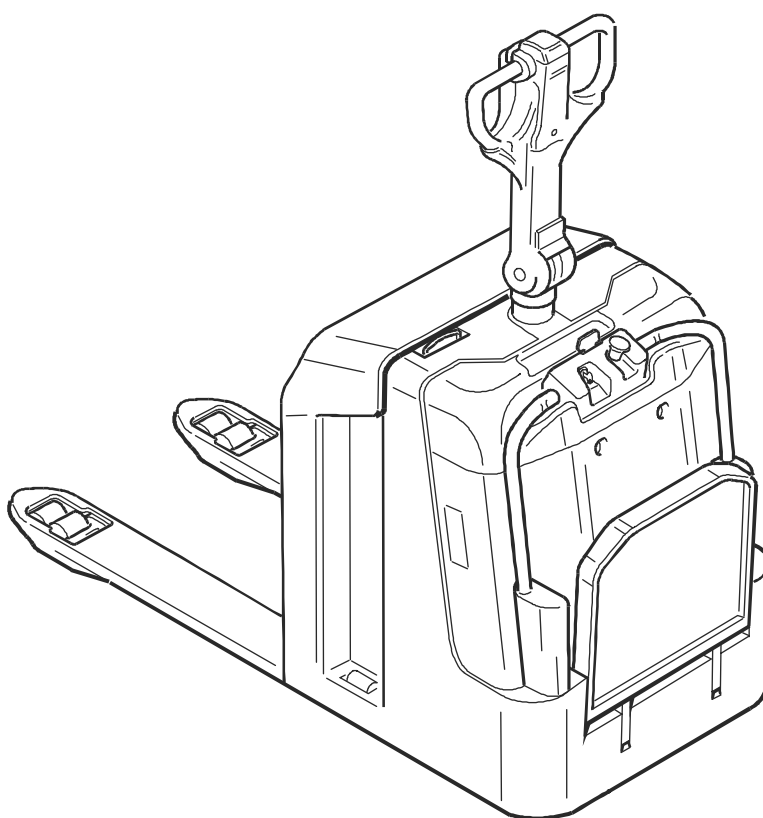
# TOYOTA

## Powered Pallet Truck 7 PLL 24

Valid for machine number: 413000 AT-

Only valid for machine number:

--	--	--	--	--	--	--	--



## Spare Parts Catalogue

Ordering number ..... 182239

Date ..... 2001-04-27 / ESID

CLICK HERE TO **DOWNLOAD** THE COMPLETE MANUAL

- Thank you very much for reading the preview of the manual.
- You can download the complete manual from: [www.heydownloads.com](http://www.heydownloads.com) by clicking the link below



- Please note: If there is no response to CLICKING the link, please download this PDF first and then click on it.

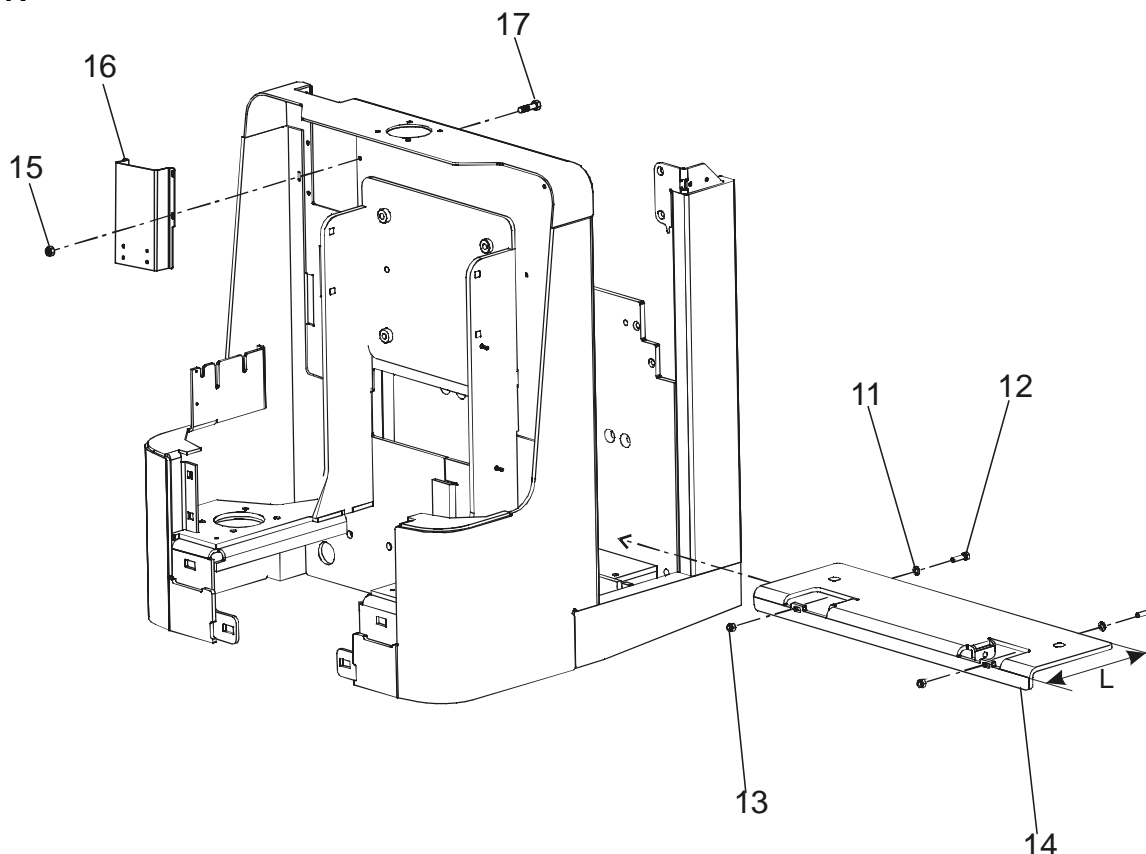
CLICK HERE TO **DOWNLOAD** THE COMPLETE MANUAL

**0340-222 Inspection covers**

[2001-04-27]

Huvar, luckor; Hauben, Abdeckungen; Capots, couvercles

			680 7 PLL 24	413000 -
Pos	Description	Pcs	Part No	Note
10	<b>Screw</b> Skruv; Schraube; Vis	2	20938	
11	<b>Housing</b> Kåpa; Haus; Chape	1	172634	
12	<b>Housing</b> Kåpa; Haus; Chape	1	180871	
13	<b>Cover.</b> Lucka; Deckel; Couvercle	1	172633-031	
14	<b>Screw</b> Skruv; Schraube; Vis	2	29972	
15	<b>Screw</b> Skruv; Schraube; Vis	2	173212	
16	<b>Handle</b> Handtag; Handgriff; Poignée.	2	177029	
17	<b>Screw</b> Skruv; Schraube; Vis	4	29982	
18	<b>Guide</b> Genomföring; Durchführung; Guide	2	144087	
19	<b>Screw</b> Skruv; Schraube; Vis	4	29978	
20	<b>Nut</b> Mutter; Mutter; Erou	4	171406	

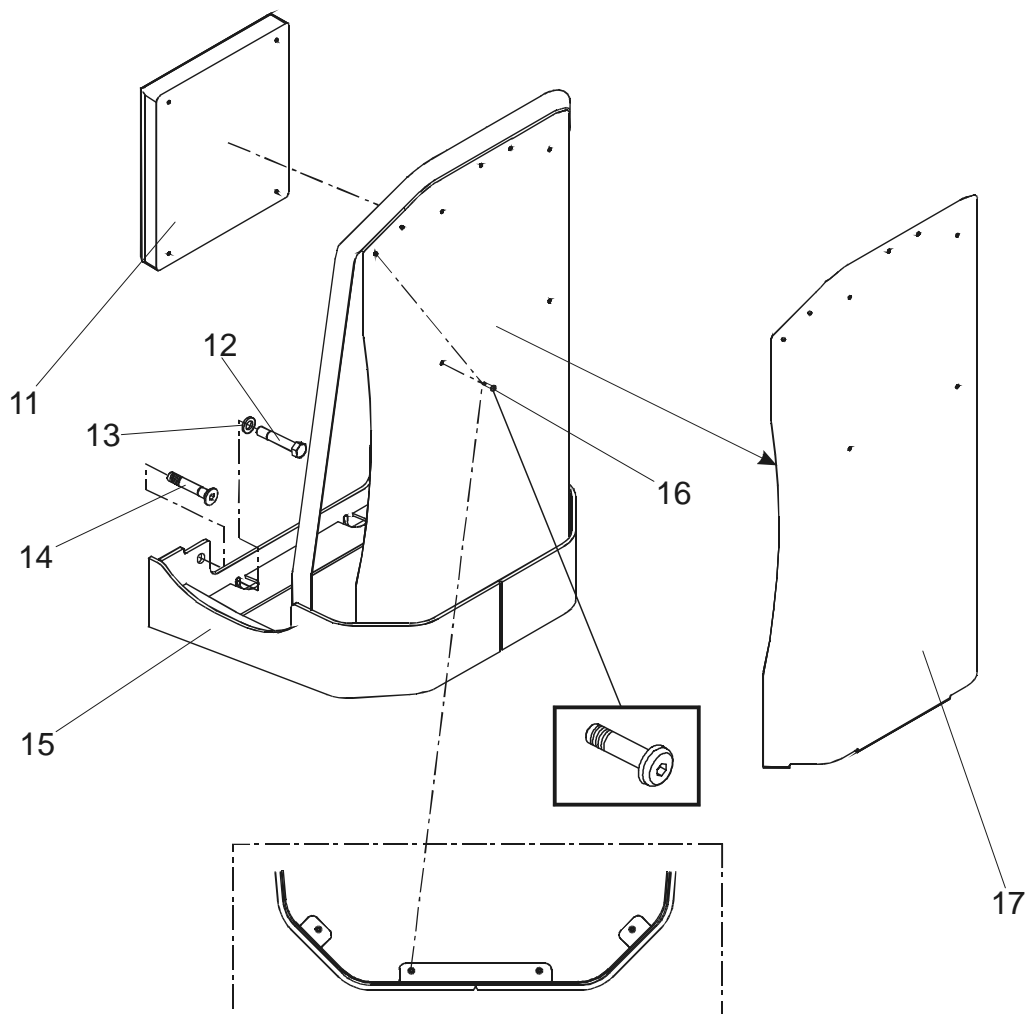


**0390-117 Battery compartment parts**

[2001-04-26]

Batteriutrymmesdelar; Batterieraumteile; Pièce de compartiment batterie

Pos	Description	Pcs	Part No	Note
			680 7 PLL 24	413000 -
11	Washer Bricka; Scheibe; Rondelle	2	20404	
12	Screw Skruv; Schraube; Vis	2	20460	
13	Nut Mutter; Mutter; Ecrou	2	20016	
14	Plate Plåt; Platte; Plaque	1	176439-001	L = 198
14	Plate Plåt; Platte; Plaque	1	176439-002	L = 284
15	Nut Mutter; Mutter; Ecrou	4	20433	
16	Bracket Fäste; Halterung; Support	1	181008	
17	Screw Skruv; Schraube; Vis	4	29978	



**0840-073 Driver protection**

Förarskydd; Fahrerschutz; Protection de cariste

[2001-04-26]

			680 7 PLL 24	413000 -
Pos	Description	Pcs	Part No	Note
11	Cushion Dyna; Kissen; Coussin	1	178148	
12	Screw Skruv; Schraube; Vis	2	26486	
13	Washer Bricka; Scheibe; Rondelle	2	20348	
14	Screw Skruv; Schraube; Vis	2	29513	
15	Frame Stomme; Gerippe; Ossature	1	177466	
16	Screw Skruv; Schraube; Vis	14	171823	
17	Plate Plåt; Platte; Plaque	1	178162-031	



**3540-030 Support/caster wheels**

[2001-08-23]

Stöd-/länkhjul; Stützräder/Gelenkrollen; Roues stabilisatrices/pivotantes

		680 7 PLL 24	410997 -	
Pos	Description	Pcs	Part No	Note
01	Link wheel(Complete) Länkhjul(Komplett); Gelenkrad(Komplett); Roue articulée(Complett)	2	157846	
11	Nut Mutter; Mutter; Erou	8	20130	
12	Bracket Fäste; Halterung; Support	2	154390	
13	Screw Skruv; Schraube; Vis	8	26486	
14	Locking ring Spårring; Schliessring; Circlip	2	20922	
15	Washer Bricka; Scheibe; Rondelle	2	154399	
16	Bearing Lager; Lager; Roulement	2	29950	
17	Locking ring Spårring; Schliessring; Circlip	2	20076	
18	Wheel fork Hjulgaffel; Radgabel; Fourche de roue	2	157847	
19	Axle Axel; Achse; Axe	2	170391	
20	Protection Skydd; Schutz; Protègee	4	152376	
21	Distance piece Distans; Distanz; Distance	4	152374	
22	Nut Mutter; Mutter; Erou	4	21123	
23	Wheel complete Hjul komplett; Rad komplett; Roue complete	2	171029	

## 4110-187 Steering arm / wheel / lever

[2001-04-02]

Styr- arm/ratt/spak; Deichsel, Lenkrad-hebel; Timon/volant/levier de direction

			680 7 PLL 24	410997 -
Pos	Description	Pcs	Part No	Note
11	Symbol plate(Fork lower) Symbolplatta(Gaffelsänk); Zeichenplatte(Gabelabsenkung); Plaque de symbole(Descente de la fourche)	1	171585-003	
12	Symbol plate(Fork lift) Symbolplatta(Gaffellyft); Zeichenplatte(Hubgabel); Plaque de symbole(Fourche élévation)	1	171585-004	
13	Push-button(Complete) Tryckknapp(Komplett); Druckknopf(Komplett); Bouton(Complet)	1	171666	Front Främre; Vordere; Avant
14	Push-button(Complete) Tryckknapp(Komplett); Druckknopf(Komplett); Bouton(Complet)	1	171664	Switch for safety reversing Brytare för säkerhetsreversering; Sicherheitsrücklaufschalter; Bouton rouge anti-écrasement
15	Push-button(Complete) Tryckknapp(Komplett); Druckknopf(Komplett); Bouton(Complet)	1	171665	upper övre; obere; supérieur
16	Symbol plate(No function) Symbolplatta(Ingen funktion); Zeichenplatte(keine Funktion ); Plaque de symbole(aucune fonction )	1	171583	
17	Symbol plate(No function) Symbolplatta(Ingen funktion); Zeichenplatte(keine Funktion ); Plaque de symbole(aucune fonction )	1	171583	
18	Screw Skruv; Schraube; Vis	2	171708	
19	Washer Bricka; Scheibe; Rondelle	2	171710	
20	Rocker(Left) Vippa(Vänster); Kippe(Links); Levier oscillant(Gauche)	1	167841	
21	Bearing Lager; Lager; Roulement	2	167846	
22	Support Hållare; Stossfänger; Absorber des chocs	2	167844	
23	Spring Fjäder; Feder; Ressort	1	167840	
24	Axle Axel; Achse; Axe	1	167843	
25	Arm Arm; Arm; Bras	1	167845	
26	Stop lug Stoppklack; Anslagsstück; Arrêter	1	167830	
27	Rocker(Right) Vippa(Höger); Kippe(Recht); Levier oscillant(Droit)	1	167842	
28	Electronic card Elektronikkort; Elektronikkarte; Carte électronique	1	167833-001	Without program software Utan programvara; Ohne programmierung; Sans programme
28	Electronic card(Including software) Elektronikkort(Inklusive programvara); Elektronikkarte(Inklusive software); Carte électronique(Compris logiciel)	1	179927-401	2 PLL 24 M
28	Electronic card(Including software) Elektronikkort(Inklusive programvara); Elektronikkarte(Inklusive software); Carte électronique(Compris logiciel)	1	179927-501	2 PLL 24 S
29	Spring Fjäder; Feder; Ressort	1	167839	
30	Housing Kåpa; Haus; Chape	1	167835	
31	Spring Fjäder; Feder; Ressort	1	167836	
32	Housing Kåpa; Haus; Chape	1	167822	
33	Push-button(Left) Tryckknapp(Vänster); Druckknopf(Links); Bouton(Gauche)	1	167848	Horn Signalhorn; Signal; Signal
34	Cap(Transparent plastic) Lock(Plastglas); Deckel(Organisches glass); Couvercle(Plastique transparent)	1	167823	
35	Sealing Tätning; Dichtung; Joint	1	169910	

**5190-038 Battery cut out connector/contactor**

[2001-04-02]

Batterifrånskiljare, huvudkontaktör; Batterietrennung, Hauptkontaktör; Coupe-circuit de batterie, contacteur

			680 7 PLL 24	410997 -
Pos	Description	Pcs	Part No	Note
11	<b>Battery connector with cable cpl.</b> Batterihandske med kabel kpl.; Stromstecker mit Kabel Kpl; Bloc de connexion avec câble cpl.	1	169084	
12	<b>Battery connector with cable cpl.</b> Batterihandske med kabel kpl.; Stromstecker mit Kabel Kpl; Bloc de connexion avec câble cpl.	1	169096	
13	<b>Handle</b> Handtag; Handgriff; Poignée.	1	171687	
14	<b>Screw</b> Skruv; Schraube; Vis	2	29985	
15	<b>Connector socket</b> Kabelhandske; Leistungsverbinder; Connexion socle.	1	171682	
16	<b>Gender key</b> Kodpinne; Code-Stift; Code-goupille	1	171704-002	
17	<b>Nut</b> Mutter; Mutter; Erou	2	20433	
18	<b>Screw</b> Skruv; Schraube; Vis	2	20224	
19	<b>Gender key</b> Kodpinne; Code-Stift; Code-goupille	1	171704-001	
20	<b>Connector socket</b> Kabelhandske; Leistungsverbinder; Connexion socle.	1	171683	
21	<b>Nut</b> Mutter; Mutter; Erou	2	172413	

**6230-042 Hydraulic lines chassis**

[2001-04-26]

Chassimonterade hydraulledning; Hydraulikleitungen Chassis; Circuits hydrauliques châssis

			680 7 PLL 24	413000 -
Pos	Description	Pcs	Part No	Note
10	Support Stöd; Stütze; Appui	1	176498	
11	Screw Skruv; Schraube; Vis	4	21044	
12	Support Stöd; Stütze; Appui	1	176497	
13	Hose Slang; Schlauch; Tuyau flexible	2	172833	
14	Connection Koppling; Kupplung; Raccord	1	28777	
15	Hollow screw Hålskruv; Hohlschraube; Vis à torage	1	182904	
16	Sealing Tätning; Dichtung; Joint	2	181757	
17	Screw Skruv; Schraube; Vis	2	20224	
18	Clamp Klamma; Rohrschelle; Collier	2	21871	
19	Pipe Rör; Rohr; Tube	1	173233-001	A = 109 mm
19	Pipe Rör; Rohr; Tube	1	173233-002	A = 179 mm
20	Hose Slang; Schlauch; Tuyau flexible	1	170960	
21	Washer Bricka; Scheibe; Rondelle	2	21396	
22	Connection Koppling; Kupplung; Raccord	1	28795	
23	Hose Slang; Schlauch; Tuyau flexible	1	173280	
24	Connection Koppling; Kupplung; Raccord	1	28944	
25	Connection Koppling; Kupplung; Raccord	1	28785	
26	Guide Genomföring; Durchführung; Guide	1	143169	

CLICK HERE TO **DOWNLOAD** THE COMPLETE MANUAL

- Thank you very much for reading the preview of the manual.
- You can download the complete manual from: [www.heydownloads.com](http://www.heydownloads.com) by clicking the link below



- Please note: If there is no response to CLICKING the link, please download this PDF first and then click on it.

CLICK HERE TO **DOWNLOAD** THE COMPLETE MANUAL