

TOYOTA

Reach truck 7FBRE 12(-1)(-2)(-3)(C)

Valid for machine number: 930971 -

Only valid for machine number:

--	--	--	--	--	--	--	--



Spare Parts Catalogue

Ordering number 228607

Date 2006-02-01 / ESIF

CLICK HERE TO **DOWNLOAD** THE COMPLETE MANUAL

- Thank you very much for reading the preview of the manual.
- You can download the complete manual from: www.heydownloads.com by clicking the link below



- Please note: If there is no response to CLICKING the link, please download this PDF first and then click on it.

CLICK HERE TO **DOWNLOAD** THE COMPLETE MANUAL

TOYOTA

9360-00016	Extra lighting Extra belysning; Zusatzbeleuchtung; Eclairage supplémentaire;	
9360-00017	Extra lighting Extra belysning; Zusatzbeleuchtung; Eclairage supplémentaire;	Protective grating, transparent plastic
9370-00064	Extra warning lights/alarm Extra varningsljus/-larm; Extra Warn-/ Alarmleuchte; Avertisseurs/dispositifs d'alarme supplémentaires;	
9380-00001	Charger attachment Laddartillsats; Zusatzladegerät; Chargeur supplémentaire;	Acid circulation
9500-00007	Other extra equipment Extra utrustning övrigt; Zusatzausrüstung Sonstiges; Autre équipement supplémentaire;	Sideshift
9500-00071	Other extra equipment Extra utrustning övrigt; Zusatzausrüstung Sonstiges; Autre équipement supplémentaire;	Writing table
9500-00441	Other extra equipment Extra utrustning övrigt; Zusatzausrüstung Sonstiges; Autre équipement supplémentaire;	Fork distance
9500-00570	Other extra equipment Extra utrustning övrigt; Zusatzausrüstung Sonstiges; Autre équipement supplémentaire;	Load support
9550-00023	Battery changing equipment Batteribytesanordning; Batteriewechselvorrichtung; Equipement de chargement batterie;	Wiring harness

0620-00090 Seat, cushions

[2004-10-20]

Förarstol, dynor; Fahrersitz, Kissen; Siège, coussins de siège/dossier;

Pos	Description	Pcs	Part No	Note
			689 7FBRE 12 690 7FBRE 12C	725406 - 725406 -
11	Seat complete(Heated 48v / vinyl) Stol kpl.(El-uppvärmd 48v / vinyl); Sitz kpl.(EL, Erwärmung 48v / vinyl); Siege cpl.(Chauffage él 48v / vinyle)	1	201535-004	
11	Seat complete(Textile) Stol kpl.(Textil); Sitz kpl.(Textil); Siege cpl.(Textile)	1	201535-005	
12	Seat cushion(Heated 48v / vinyl) Sittdyna(El-uppvärmd 48v / vinyl); Sitzkissen(EL, Erwärmung 48v / vinyl); Siège(Chauffage él 48v / vinyle)	1	138300GAG	
12	Seat cushion(Textile) Sittdyna(Textil); Sitzkissen(Textil); Siège(Textile)	1	220237-001	
13	Back rest(Heated 48v / vinyl) Ryggdyna(El-uppvärmd 48v / vinyl); Rückenlehne(EL, Erwärmung 48v / vinyl); Dossier(Chauffage él 48v / vinyle)	1	138287GAG	
13	Back rest(Textile) Ryggdyna(Textil); Rückenlehne(Textil); Dossier(Textile)	1	220237-002	
14	Micro switch(Complete) Mikrobrytare(Komplett); Mikroschalter(Komplett); Interrupteurs(Comple)	1	162049	
15	Housing Kåpa; Haus; Chape	1	162047	
16	Repair kit Reparationssats; Reparatursatz; Kit de réparation	1	162048	
17	Lever Spak; Hebel; Levier	1	162035	
18	Housing Kåpa; Haus; Chape	1	162036	
19	Damper(Kit) Dämpare(Sats); Dämpfer(satz); Attenteur(Jeux)	1	162039	
20	Repair kit Reparationssats; Reparatursatz; Kit de réparation	1	162038	
21	Lever Spak; Hebel; Levier	1	162045	
22	Housing Kåpa; Haus; Chape	1	162037	
23	Wire Wire; Drahtseil; Filament	1	162046	
24	Gas suspension Gasfjäder; Gasfederung; Suspension à gaz	1	162040	
25	Spring Fjäder; Feder; Ressort	1	162041	
26	Arm Arm; Arm; Bras	1	162044	
27	Arm Arm; Arm; Bras	1	162042	
28	Bracket(Kit) Fäste(Sats); Halterung(satz); Support(Jeux)	1	162043	
29	Bar(Kit) Skena(Sats); Stab(satz); Barre(Jeux)	1	162050	
30	Safety belt(Rolled) Säkerhetsbälte(Rullande); Stehgurt(Rollen); Ceiture de sécurité(Roulant)	1	162031	
30	Safety belt(Without roller) Säkerhetsbälte(Utan rulle); Stehgurt(Ohne rolle); Ceiture de sécurité(Sans roleau)	1	162032	
31	Screw Skruv; Schraube; Vis	2	21159	
32	Distance piece Distans; Distanz; Distance	4	146334	
33	Washer Bricka; Scheibe; Rondelle	4	20404	
34	Nut Mutter; Mutter; Ecrou	4	20016	
35	Screw Skruv; Schraube; Vis	2	161936	

Pos	Description	Pcs	Part No	Note
15	Protection Skydd; Schutz; Protègee	1	165404	
16	Nut Mutter; Mutter; Ecrou	4	127035-003	
17	Washer Bricka; Scheibe; Rondelle	2	29758	
18	Screw Skruv; Schraube; Vis	4	20938	
19	Cushion Dyna; Kissen; Coussin	1	143294	
20	Panel Panel; Paneel; Panneau	1	143292	
21	Screw Skruv; Schraube; Vis	2	29810	
22	Washer Bricka; Scheibe; Rondelle	2	20404	
23	Nut Mutter; Mutter; Ecrou	2	20016	
24	Carpet Matta; Teppisch; Tapis	1	161841	
25	Skidding protection Halkskydd; Rutschabdeckung; Dispositif antidérapant	1	143287	
26	Foot step Fotsteg; Fusstritt; Marchepied	1	141917	
27	Screw Skruv; Schraube; Vis	2	20401	
29	Skidding protection Halkskydd; Rutschabdeckung; Dispositif antidérapant	1	143286	
30	Panel Panel; Paneel; Panneau	1	144377-003	
31	Screw Skruv; Schraube; Vis	1	20938	
32	Washer Bricka; Scheibe; Rondelle	1	29758	
33	Nut Mutter; Mutter; Ecrou	1	127035-003	
34	Panel Panel; Paneel; Panneau	1	162563	
36	Frame Ram; Rahmen; Cadre	2	133416	
37	Cover Lock; Deckel; Couvercle	2	132577	
38	Screw Skruv; Schraube; Vis	2	29810	
39	Nut Mutter; Mutter; Ecrou	2	28930	
44	Bracket Fäste; Halterung; Support	1	165403	
45	List List; Leiste; Bande	1	147736	
46	Plate Plåt; Platte; Plaque	1	211881	

0850-00286 Signs, warnings, decals

[2003-12-03]

Skyltar, varningar, dekaler; Schilder, Warnzeichen, Aufkleber; Vignettes, avertissements, autocollants;

Pos	Description	Pcs	Part No	Note
			689 7FBRE 12 690 7FBRE 12C	598439 - 598439 -
12	Sign(12) Skylt; Schild; Vignette	2	169528	
13	Sign(14) Skylt; Schild; Vignette	2	169529	
14	Sign Skylt; Schild; Vignette	1	121787-002	
15	Sign Skylt; Schild; Vignette	1	121786-002	
16	Sign Skylt; Schild; Vignette	4	168719	
17	Sign Skylt; Schild; Vignette	2	209365	
18	Sign Skylt; Schild; Vignette	1	156687	
19	Sign Skylt; Schild; Vignette	2	121786-002	
20	Sign Skylt; Schild; Vignette	1	201001	
21	Sign Skylt; Schild; Vignette	2	207746	
22	Sign Skylt; Schild; Vignette	1	72082	
23	Sign Skylt; Schild; Vignette	1	145422	
24	Sign Skylt; Schild; Vignette	1	145423	Sideshift
25	Sign Skylt; Schild; Vignette	1	165610	Fork positioner Gaffelspridning; Zinkenverstell, gabel; Fourche, régler latéral
26	Sign Skylt; Schild; Vignette	1	156698	Cold stores Fryshus; Gefrieranlage; Chambre frigorifique

4310-00026 Electric steering wheel/lever

[2003-04-01]

Elektr.ratt/-spakstyrning; Elektro-lenkrad/-hebellenkung; Timon/volant de direction électrique;

			689 7FBRE 12 690 7FBRE 12C	435653 - 435653 -
Pos	Description	Pcs	Part No	Note
11	Panel Panel; Paneel; Panneau	1	143228	
12	Panel Panel; Paneel; Panneau	1	143229	
13	Screw Skruv; Schraube; Vis	1	28334	
14	Washer Bricka; Scheibe; Rondelle	1	21394	
15	Nut Mutter; Mutter; Ecrou	1	20096	
16	Washer Bricka; Scheibe; Rondelle	1	135459	
17	Nut Mutter; Mutter; Ecrou	1	20016	
18	Washer Bricka; Scheibe; Rondelle	1	20404	
19	Spinner Spinnare; Lenkfleier; Poignée volant	1	141840	
20	Steering wheel Ratt; Lenkrad; Volant	1	200637	D = 200 mm
21	Locking ring Spärring; Schliessring; Circlip	1	20009	
22	O-ring O-ring; O-ring; Joint torique	1	20620	
23	Ball bearing Kullager; Kugellager; Roulement a billes	1	28300	
23	Ball bearing Kullager; Kugellager; Roulement a billes	1	29878	Cold stores Fryshus; Gefrieranlage; Chambre frigorifique
24	Bearing bracket Lagerhållare; Lagerhalten; Support de roulement	1	135461	
25	Locking ring Spärring; Schliessring; Circlip	1	20008	
26	Screw Skruv; Schraube; Vis	4	29815	
27	Motor Motor; Motor; Moteur	1	179738	
28	Screw Skruv; Schraube; Vis	1	29679	
29	Washer Bricka; Scheibe; Rondelle	1	20404	
30	Lever Spak; Hebel; Levier	1	142422-008	
31	Consol Konsol; Konsole; Console	1	147319	
32	Arm Arm; Arm; Bras	1	142410	
33	Lever Spak; Hebel; Levier	1	140808-002	
34	Bracket Fäste; Halterung; Support	1	143221	
35	Bush Bussning; Bague; Bague	2	138886	
36	Locking ring Spärring; Schliessring; Circlip	1	20041	
37	Gas suspension Gasfjäder; Gasfederung; Suspension à gaz	1	143224	
38	Locking pin Spännstift; Spannstift; Goupille	2	28825	
39	Wire(S = 529 mm) Wire; Drahtseil; Filament	1	143488-002	

CLICK HERE TO **DOWNLOAD** THE COMPLETE MANUAL

- Thank you very much for reading the preview of the manual.
- You can download the complete manual from: www.heydownloads.com by clicking the link below

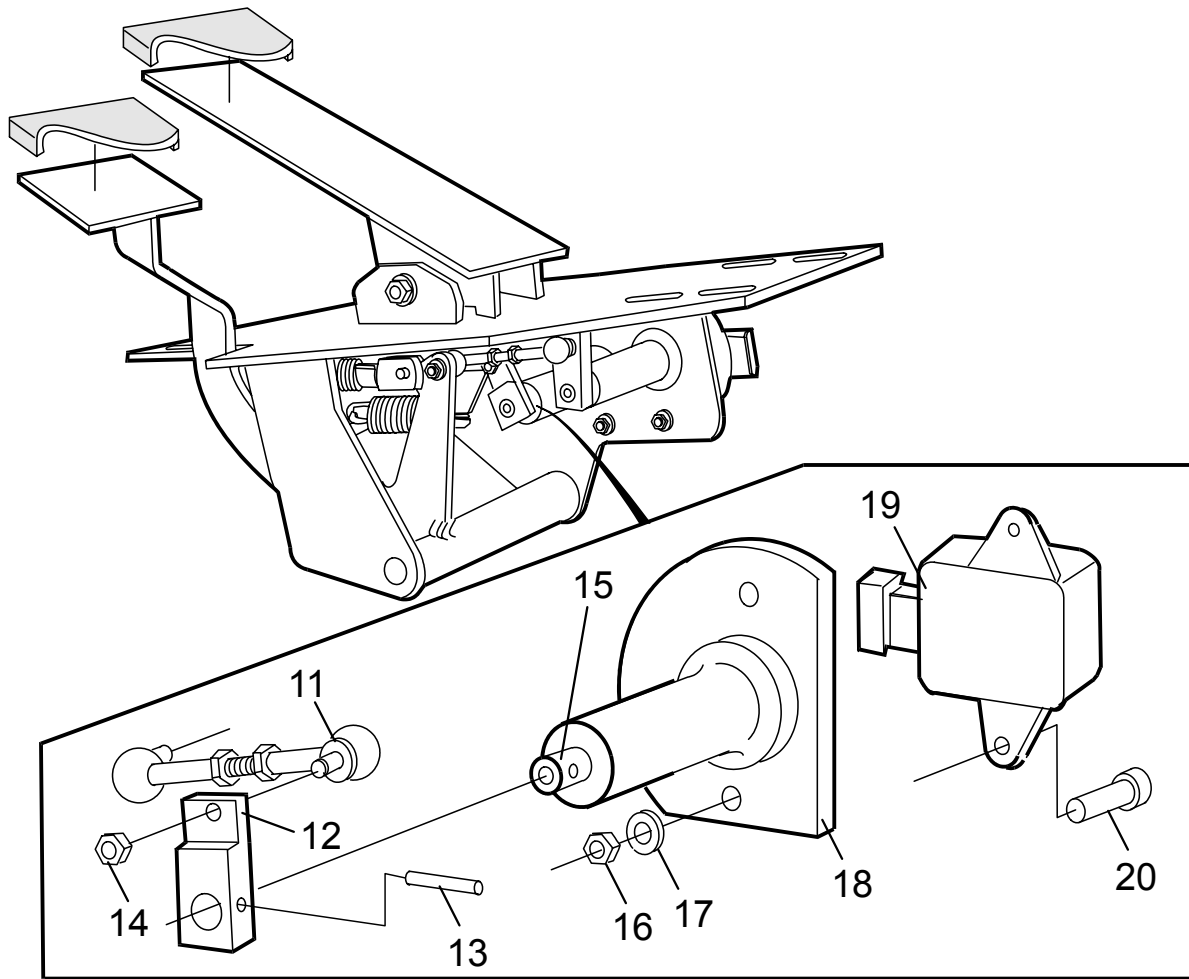


- Please note: If there is no response to CLICKING the link, please download this PDF first and then click on it.

CLICK HERE TO **DOWNLOAD** THE COMPLETE MANUAL

5330-00021

P0007232



5330-00021 Speed control

Fartreglering; Geschwindigkeitsregelung; Régulateur de vitesse;

[2005-03-29]

Pos	Description	Pcs	Part No	Note
11	Link Länk; Gelenk; Bras	1	185698	
12	Arm Arm; Arm; Bras	1	185728	
13	Locking pin Spännstift; Spannstift; Goupille	1	20049	
14	Nut Mutter; Mutter; Ecrou	1	21094	
15	Axle Axel; Achse; Axe	1	185723	
16	Nut Mutter; Mutter; Ecrou	2	25699	
17	Washer Bricka; Scheibe; Rondelle	4	21035	
18	Support Stöd; Stütze; Appui	1	185925	
19	Potentiometer Potentiometer; Potentiometer; Potentiometre	1	156276	
20	Screw Skruv; Schraube; Vis	2	27872	

5680-00130 Battery/motor cables, fuse

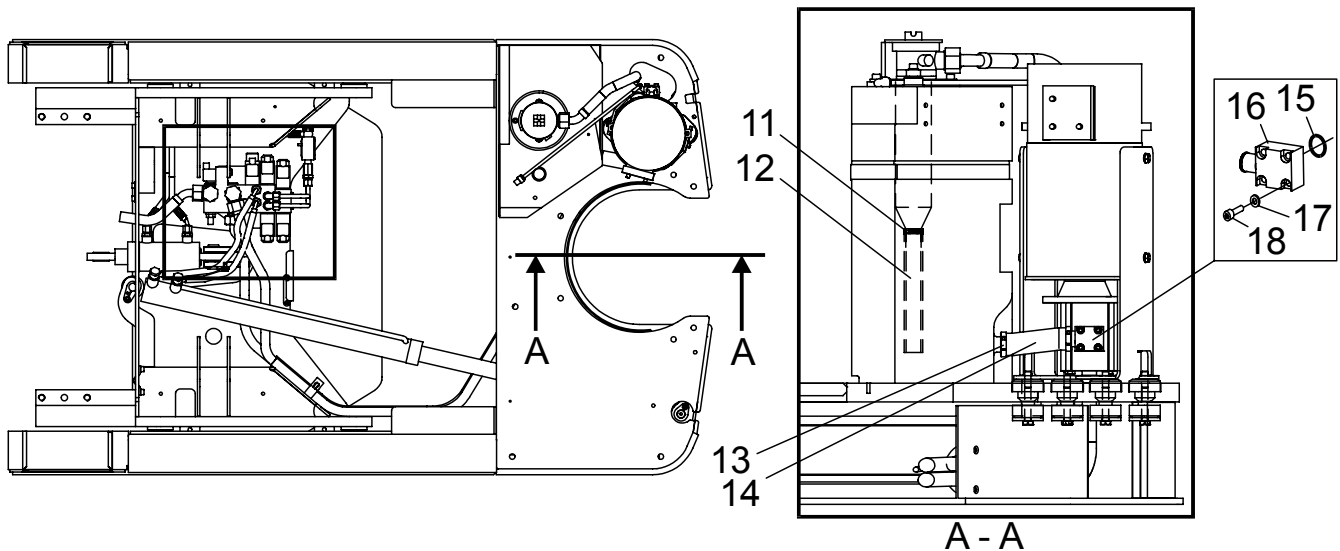
[2006-01-26]

Batteri-/motorkablar, säkring; Batterie-/Motorkabel, Sicherung; Câbles de batterie/moteur, fusible;

Pos	Description	Pcs	Part No	Note
			689 7FBRE 12 690 7FBRE 12C	930971 - 930971 -
11	Connector with cable complete Handske med kabel komplett; Stromstecker mit Kabel komplett.; Connection fiche avec câble complete.	1	174486	
12	Connector(320A) Handske; Stecker; Bloc de connexion	1	171684	
13	Cable Kabel; Kabel; Câble	1	174484	+
14	Cable Kabel; Kabel; Câble	1	174485	-
15	Gender key Kodpinne; Code-Stift; Code-goupille	1	171704-002	
20	Connector with cable complete Handske med kabel komplett; Stromstecker mit Kabel komplett.; Connection fiche avec câble complete.	1	173228	
21	Gender key Kodpinne; Code-Stift; Code-goupille	1	171704-001	
22	Connector(320A) Handske; Stecker; Bloc de connexion	1	171685	
23	Handle Handtag; Handgriff; Poignée.	1	173831	
24	Hook Hake; Haken; Crochet	1	150301	
25	Clamp Klamma; Rohrschelle; Collier	2	20942	
26	Screw Skruv; Schraube; Vis	2	20459	
27	Clamp Klamma; Rohrschelle; Collier	1	150585-001	
28	Nut Mutter; Mutter; Ecrou	2	20249	
29	Clamp Klamma; Rohrschelle; Collier	4	28937	
30	Arm Arm; Arm; Bras	1	147493	
31	Screw Skruv; Schraube; Vis	2	28511	
32	Bracket Fäste; Halterung; Support	2	147494	
33	Screw Skruv; Schraube; Vis	2	20044	
34	Washer Bricka; Scheibe; Rondelle	2	20348	
35	Cable(8) Kabel; Kabel; Câble	1	219688	8
36	Cable(5) Kabel; Kabel; Câble	1	219686	5
37	Cable(6) Kabel; Kabel; Câble	1	219689	6
38	Nut Mutter; Mutter; Ecrou	7	224065	
39	Copper bar Kopparskena; Kupferstab; Plaque de cuivre	1	220527	
40	Copper bar Kopparskena; Kupferstab; Plaque de cuivre	1	220528	
41	Washer Bricka; Scheibe; Rondelle	3	163664	
42	Screw Skruv; Schraube; Vis	2	22337	
43	Washer Bricka; Scheibe; Rondelle	2	20348	

6120-00157

P0011482



6120-00157 Hydraulic tank lines

[2004-04-15]

Tankhydraulledningar; Hydrauliktankledningar; Tuyaux réservoir hydraulique;

Pos	Description	Pcs	Part No	Note
11	Clamp Klamma; Rohrschelle; Collier	1	28691	
12	Hose Slang; Schlauch; Tuyau flexible	1	173434-001	
13	Clamp Klamma; Rohrschelle; Collier	2	20710	
14	Hose Slang; Schlauch; Tuyau flexible	1	145344-001	
15	O-ring O-ring; O-ring; Joint torique	1	21761	
16	Connection Koppling; Kupplung; Raccord	1	141175	
17	Washer Bricka; Scheibe; Rondelle	4	20375	
18	Screw Skruv; Schraube; Vis	4	20871	

6320-00273 Mast hydraulic lines

[2004-06-22]

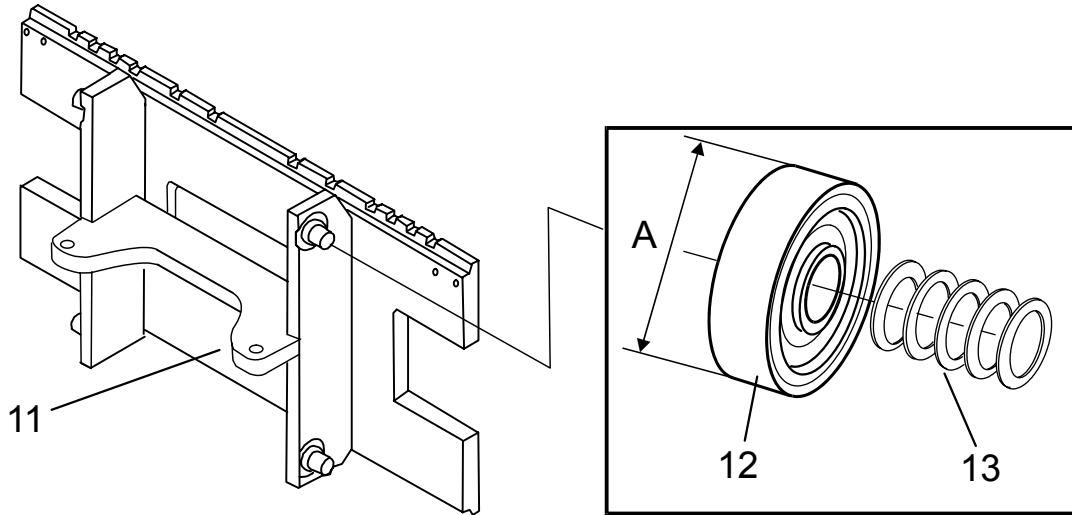
Stativhydraulledningar; Hydraulikleitungen Hubeinrichtung; Circuits hydrauliques mât;

<i>Triplex Hi - Lo</i>			689 7FBRE 12 690 7FBRE 12C	715720 - 715720 -
Pos	Description	Pcs	Part No	Note
11	Connector unit Kopplingsstycke; Kupplungsstück; Raccordement	1	160182	
12	Screw Skruv; Schraube; Vis	2	20365	
13	Washer Bricka; Scheibe; Rondelle	2	20404	
14	Bracket Fäste; Halterung; Support	1	148822	
15	Shim(1 mm) Shims; Schim; Cale		160181-001	
15	Shim(0,5 mm) Shims; Schim; Cale		160181-002	
16	Washer Bricka; Scheibe; Rondelle	2	20404	
17	Screw Skruv; Schraube; Vis	2	27205	
19	Connection Koppling; Kupplung; Raccord	1	28529	
20	Sealing ring Tättningsring; Dichtungsring; Bague d'étanchéité	1	20517	
21	Connection Koppling; Kupplung; Raccord	1	29532	
22	Connection Koppling; Kupplung; Raccord	1	28801	
23	Pipe Rör; Rohr; Tube	1	140472	
24	Connection Koppling; Kupplung; Raccord	1	29776	
25	Connection Koppling; Kupplung; Raccord	1	28781	
26	Screw Skruv; Schraube; Vis	1	25065	
27	Sealing ring Tättningsring; Dichtungsring; Bague d'étanchéité	1	20517	
28	Connection Koppling; Kupplung; Raccord	2	28781	
29	Pipe Rör; Rohr; Tube	1	168069	
30	Connection Koppling; Kupplung; Raccord	1	29532	
31	Consol Konsol; Konsole; Console	1	216393	
32	Connection Koppling; Kupplung; Raccord	1	28797	
33	Pipe Rör; Rohr; Tube	1	219267	
34	Hose Slang; Schlauch; Tuyau flexible	1	140471-415	
34	Hose Slang; Schlauch; Tuyau flexible	1	140471-450	
34	Hose Slang; Schlauch; Tuyau flexible	1	140471-480	
34	Hose Slang; Schlauch; Tuyau flexible	1	140471-540	
34	Hose Slang; Schlauch; Tuyau flexible	1	140471-570	
34	Hose Slang; Schlauch; Tuyau flexible	1	140471-600	
34	Hose Slang; Schlauch; Tuyau flexible	1	140471-630	

Pos	Description	Pcs	Part No	Note
01	Lifting cylinder compl(L = 1872 mm) Lyftcylinder kompl.; Hubzylinder Kompl.; Verin de levage compl.	2	140460-480	
01	Lifting cylinder compl(L = 2072 mm) Lyftcylinder kompl.; Hubzylinder Kompl.; Verin de levage compl.	2	140460-540	
01	Lifting cylinder compl Lyftcylinder kompl.; Hubzylinder Kompl.; Verin de levage compl.	2	140460-570	
01	Lifting cylinder compl Lyftcylinder kompl.; Hubzylinder Kompl.; Verin de levage compl.	2	140460-600	
01	Lifting cylinder compl Lyftcylinder kompl.; Hubzylinder Kompl.; Verin de levage compl.	2	140460-630	
02	Packing set Packningssats; Packungssatz; Jeux d' étanchéité.	2	140626	
03	Cylinder pipe Cylinderrör; Zylinderrohr; Tube de cylindre	2	140645-415	
03	Cylinder pipe Cylinderrör; Zylinderrohr; Tube de cylindre	2	140645-450	
03	Cylinder pipe Cylinderrör; Zylinderrohr; Tube de cylindre	2	140645-480	
03	Cylinder pipe Cylinderrör; Zylinderrohr; Tube de cylindre	2	140645-540	
03	Cylinder pipe Cylinderrör; Zylinderrohr; Tube de cylindre	2	140645-570	
03	Cylinder pipe Cylinderrör; Zylinderrohr; Tube de cylindre	2	140645-600	
03	Cylinder pipe Cylinderrör; Zylinderrohr; Tube de cylindre	2	140645-630	
05	Piston rod Kolvstång; Kolbenstange; Tige de piston	2	140646-415	
05	Piston rod Kolvstång; Kolbenstange; Tige de piston	2	140646-450	
05	Piston rod Kolvstång; Kolbenstange; Tige de piston	2	140646-480	
05	Piston rod Kolvstång; Kolbenstange; Tige de piston	2	140646-540	
05	Piston rod Kolvstång; Kolbenstange; Tige de piston	2	140646-570	
05	Piston rod Kolvstång; Kolbenstange; Tige de piston	2	140646-600	
05	Piston rod Kolvstång; Kolbenstange; Tige de piston	2	140646-630	
11	Guide Styrning; Steuerung; Guidage	2	140648	
12	Connection Koppling; Kupplung; Raccord	2	21994	
13	Locking ring Spärring; Schliessring; Circlip	2	141882	
14	Ring Ring; Ring; Bague	2	140647	
15	Restriction valve Sänkbromsventil; Drosselventil; Soupape de reduction	2	24154	
16	Screw Skruv; Schraube; Vis	2	28308	
17	Washer Bricka; Scheibe; Rondelle	2	21393	
19	Shim(1 mm) Shims; Schim; Cale		105454	
20	Shim(0,5 mm) Shims; Schim; Cale		120531	
21	Screw Skruv; Schraube; Vis	2	24651	
22	Washer Bricka; Scheibe; Rondelle	2	126723-004	
23	Plate Plåt; Platte; Plaque	2	139117	
24	Screw Skruv; Schraube; Vis	4	21935	

7130-00051

P0011550



7130-00051 Main mast fork carriage

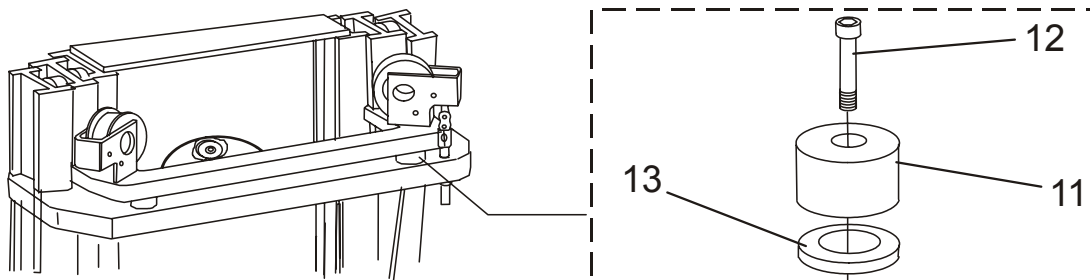
[2003-11-25]

Huvudstativokvagn; Gabel-/Aggregatträger Haupthubgerüst; Tablier porte-fourches mât principal;

Duplex Tele			689 7FBRE 12 690 7FBRE 12C	435653 - 435653 -
Pos	Description	Pcs	Part No	Note
11	Fork yoke Gaffelok; Gabeljoch; Porte-fourche	1	172177	
12	Roller(69,95 mm) Rulle; Rolle; Roleau	4	139126	
12	Roller(70,4 mm) Rulle; Rolle; Roleau	4	139127	
13	Shim(25x35x0,1 mm) Shims; Schim; Cale		26471	
13	Shim(25x35x0,3 mm) Shims; Schim; Cale		26472	
13	Shim(25x35x0,5 mm) Shims; Schim; Cale		26473	
13	Shim(25x35x1 mm) Shims; Schim; Cale		29585	

7150-00026

P0021480



7150-00026 Main mast guidance/dampers

[2004-06-22]

Huvudstativ-styrning/dämpning; Führungen/Dämpfer Haupthubgerüst; Guidage/amortissement mât principal;

			689 7FBRE 12 690 7FBRE 12C	715720 - 715720 -
Pos	Description	Pcs	Part No	Note
11	Damper Dämpare; Dämpfer; Attenteur	2	105388	
12	Screw Skruv; Schraube; Vis	2	21750	
13	Washer Bricka; Scheibe; Rondelle		119374	

CLICK HERE TO **DOWNLOAD** THE COMPLETE MANUAL

- Thank you very much for reading the preview of the manual.
- You can download the complete manual from: www.heydownloads.com by clicking the link below



- Please note: If there is no response to CLICKING the link, please download this PDF first and then click on it.

CLICK HERE TO **DOWNLOAD** THE COMPLETE MANUAL