

**SERVICE PARTS CATALOGUE
LISTE DE PIECES DE RECHANGE
ERSATZTEILLISTE
CATALOGO PEZZI DI RICAMBIO
ONDERDELENLIJST**

NEW HOLLAND

**MODEL S1800 - S1900 - S2200
FORAGE HARVESTER
AND ACCESSORIES**

Valid from machine
Valable à partir de la machine
Gültig ab Maschine
Valido a partire dalla macchina
Geldig vanaf machine

No. 8811001 (S1800)
No. 8714001 (S1900)
No. 8905001 (S2200)

tot. nr. 8818999
tot. nr. 8721999
tot. nr. 8912999

ISSUE 9510177 4

CLICK HERE TO **DOWNLOAD** THE COMPLETE MANUAL

- Thank you very much for reading the preview of the manual.
- You can download the complete manual from: www.heydownloads.com by clicking the link below



- Please note: If there is no response to CLICKING the link, please download this PDF first and then click on it.

CLICK HERE TO **DOWNLOAD** THE COMPLETE MANUAL

INFORMATION IMPORTANTE

INSTRUCTIONS POUR UTILISER CE CATALOGUE DE PIÈCES DE RECHANGE

- Pour chercher un groupe ou une pièce spécifique, consultez d'abord l'index illustré au commencement du catalogue.
- CD : Check Digit = Numéro de contrôle. Ce chiffre supplémentaire au numéro de pièce assure le traitement des numéros de pièce corrects et évite ainsi des livraisons erronées.
- Qty : Quantity = Quantité
- Code : Les chiffres figurant dans cette colonne se réfèrent aux numéros de série sur la page 1. Les numéros de pièce indiqués sont disponibles à partir de ce numéro de série.
- N.B. : Cette colonne fournit des informations supplémentaires concernant le numéro de pièce. Les termes "Left-hand" et "Right-hand" (gauche et droit) s'entendent toujours dans le sens d'avancement normal de la machine.

ABREVIATIONS ET SYMBOLES

- | | |
|---|--------------------------------------|
| AR = As Required = Selon besoin | w/a = weld assembly = ensemble soudé |
| NS = Not Serviced = N'est pas disponible | Incl. = Includes = Comprend |
| NSS = Not Serviced Separately = N'est pas disponible séparément | CL = Grille "Clayson" |
| * = Se réfère à une note en bas de la page | HC = Grille "Hart-Carter" |
| ● = Seal kit = Kit de joints | LH = Left-hand = Côté gauche |
| ▲ = Seal repair kit = Kit de joints et de réparation | RH = Right-hand = Côté droit |
| ■ = Valve overhaul kit = Kit de réparation | |
| - = Voir colonne "N.B." | |
| + = Les tubes prépliés ne sont plus disponibles en pièce de rechange. | |
| Pour les travaux de réparation, des longueurs de 0,5 m et de 2 m, pour chaque diamètre, sont disponibles sous les numéros de pièces suivants: | |

| Diamètre du tube | Numéro Longueur 0,5 m | Numéro Longueur 2 m |
|------------------|--------------------------|------------------------|
| Ø 8 mm | 371541 0 | 371540 8 |
| Ø 10 mm | 303052 1 | 371539 5 |
| Ø 12 mm | 303053 3 | 371538 3 |
| Ø 16 mm | 371537 1 | 371536 9 |
| Ø 18 mm | 371535 7 | 371534 5 |

| Diamètre du tube | Longueur 48" (1219 mm) |
|------------------|------------------------|
| 3/8" OD | 075931 8 |
| 1/2" OD | 075932 0 |
| 5/8" OD | 075933 2 |
| 3/4" OD | 075934 4 |

COMMANDE DE PIÈCES DE RECHANGE AUPRES DE VOTRE AGENT FORD NEW HOLLAND

Pour éviter toute perte de temps, mentionnez les points suivants dans vos commandes:

1. Modèle et numéro de série de la machine, du tablier, ou du moteur.
2. Numéro, description et quantité des pièces désirées.
3. Mode d'envoi et votre adresse complète.

COMPLETEZ D'ABORD LES DONNÉES DE VOTRE MACHINE

| | |
|----------------------------------|------------------------------------|
| Modèle de la machine: | Marque et type de moteur: |
| Numéro de série: | Numéro de série: |
| Largeur du tablier: | Numéro de la clé de contact: |
| Numéro de série: | Dimension des pneus: Avant: |
| Date de la mise en marche: | Arrière: |

UTILISEZ UNIQUEMENT DES PIÈCES D'ORIGINE FORD NEW HOLLAND

INHOUD

Groep

| | |
|---------|---|
| 1 | Riemen en kettingen |
| 2 | Raam en raamdelen |
| 3 | Batterijsteun & deksel |
| 4-5 | Bedieningsgroep voorzetapparaat |
| 6 | Raam |
| 7 | Messentrommel |
| 8 | Messentrommel tandwielkast |
| 9 | Automatische messlijpstoestel |
| 10 | Aandrijvingsgroep voedingsrol |
| 11 | Omkeertandwielkast |
| 13 | Voedingsrol |
| 13A-13C | Crop processor |
| 14 | Metaaldetector |
| 15 | Controlepaneel metaaldetektor |
| 16 | Ventilator en aandrijving |
| 17 | Aandrijftandwielenkast ventilator |
| 18 | Afvoerpijp |
| 19 | Hoofdaandrijving |
| 20-21 | Riemschijf en riemschijfhuis |
| 22 | Vrijlooppkoppeling messentrommel |
| 23 | Stuurplatform |
| 24 | Stuurzetel |
| 25-25A | Stuurkolom en klep |
| 26 | Hydraulische leidingen stuurinrichting |
| 27 | Verdeelklep |
| 28 | Hydraulisch besturingsventil |
| 29 | Gangwisselhefboom en stangenstelsel |
| 30-31 | Elektrische uitrusting |
| 32-32A | Pedalen en hydraulische circuit voor rem |
| 33 | Remcilinder |
| 34 | Handrem |
| 34A | Bediening van differentieel slot |
| 35 | Bediening aandrijftandwielen & draadeinden |
| 36 | Aandrijftandwielen |
| 37 | Remmen en differentieel |
| 38 | Aandrijfwielen |
| 39 | Eindreductie |
| 40 | Bedieningsgroep voor hydrostatische aandrijving |
| 41 | Hydrostatiek motor |
| 42 | Hydrostatiek besturingsventiel |
| 43 | Hydrostatische pomp |
| 44 | Bedieningsklep |
| 45 | Vulpomp |
| 46 | Leidingen hydrostatiek |
| 46A | Reservoir |
| 47 | Stuurbrug |
| 48 | Aangedreven stuurbrug |
| 49 | Stuurcilinder |
| 50 | Hydraulische leidingen voor aangedreven stuurbrug |
| 51-52 | Hydrostatiek motor |

BATTERY SUPPORT AND COVER
 SUPPORT DE BATTERIE
 BATTERIEHALTER UND DECKEL
 SUPPORTO BATTERIA E COPERCHIO
 BATTERIJ STEUN & DEKSEL

| Fig. | Order Ref. | CD | 1 8 0 0 | 1 9 0 0 | 2 2 0 0 | Code | Description |
|------|------------|----|------------------|------------------|------------------|------|----------------------------------|
| 1 | 455291 0 | | 1 | 1 | 1 | | Angle |
| 2 | 120099 8 | | 2 | 2 | 2 | | Hex. cap screw |
| 3 | 705711 5 | | 1 | 1 | 1 | | Grommet (Cut to length required) |
| 4 | 751968 4 | | 1 | 1 | 1 | | Battery box |
| | | | x | x | x | | 4x120104 1 Hex. cap screw |
| | | | x | x | x | | 4x322358 2 Lockwasher |
| | | | x | x | x | | 4x100015 8 Hex. nut |
| 5 | 751966 0 | | 1 | 1 | 1 | | Cover |
| 6 | 244457 7 | | 2 | 2 | 2 | | Latch |
| | | | x | x | x | | 4x120009 9 Machine screw |
| | | | x | x | x | | 4x322356 8 Lockwasher |
| | | | x | x | x | | 4x100013 4 Hex. nut |
| 7 | 322357 0 | | 2 | 2 | 2 | | Lockwasher |
| 8 | 100014 6 | | 2 | 2 | 2 | | Hex. nut |

GROUP

3

MAIN FRAME GROUP FOR FEED ROLLS
 CHASSIS POUR ROULEAUX D'ALIMENTATION
 RAHMEN FÜR EINZUGSWALZEN
 TELAIO PER RULLI ALIMENTATORI
 RAAM VOOR INVOERROLLEN

| Fig. | Order Ref. | CD | 1 | 1 | 2 | Code | Description | |
|------|------------|----|---|---|---|------|--|------|
| | | | 8 | 9 | 2 | | | |
| | | | 0 | 0 | 0 | | | |
| 1 | 600399 5 | | 1 | 1 | 1 | | Cutterhead housing (Without crop processor and with manual knife sharpener) (Incl. fig. 2) | 19.8 |
| | 847035 2 | | 1 | 1 | 1 | | Cutterhead housing (With crop processor and with manual knife sharpener) (Incl. fig. 2) | |
| | 788300 3 | | 1 | 1 | 1 | | Cutterhead housing (With crop processor and with automatic knife sharpener) (Incl. fig. 2) | |
| | | | x | x | x | | 2x088062 0 Hex. screw 5/8" x 1 1/2" | |
| | | | x | x | x | | 4x140048 5 Lockwasher Ø16mm | |
| | | | x | x | x | | 2x446691 7 Washer | |
| | | | x | x | x | | 2x100020 9 Hex. nut M16 | |
| | | | x | x | x | | 2x120090 0 Hex. screw M16 x 50 mm | |
| 2 | 167050 1 | | 4 | 4 | 4 | | Bushing | |
| 3 | 614455 1 | | 2 | 2 | 2 | | Grease line, LH & RH | |
| | | | x | x | x | | 4x011787 5 Fitting | |
| | | | x | x | x | | 2x084303 8 Grease fitting 1/8" | |
| 4 | 173195 5 | | 1 | 1 | 1 | | Hinge bracket | |
| | | | x | x | x | | 2x120137 0 Screw M8 x 20 mm | |
| | | | x | x | x | | 2x322358 2 Lockwasher Ø8 mm | |
| | | | x | x | x | | 2x100015 8 Hex. nut M8 | |
| 5 | 573926 0 | | 2 | 2 | 2 | | Crescent w/a | |
| | | | x | x | x | | 2x280400 2 Cap screw | |
| | | | x | x | x | | 2x140045 9 Lockwasher Ø10 mm | |
| | | | x | x | x | | 2x087771 2 Plow bolt 3/8" x 1" | |
| | | | x | x | x | | 4x256713 5 Spacer | |
| | | | x | x | x | | 12x027531 2 Washer, special | |
| | | | x | x | x | | 4x080299 3 Washer | |
| | | | x | x | x | | 2x280580 2 Hex. screw 5/8" x 1" | |
| | | | x | x | x | | 2x140048 5 Lockwasher Ø16 mm | |
| | | | x | x | x | | 2x028409 4 Washer | |
| | | | x | x | x | | 4x084944 6 Hex. nut | |
| 6 | 621173 2 | | 1 | 1 | 1 | | Plate w/a, RH | |
| | | | x | x | x | | 2x087232 0 Screw | |
| | | | x | x | x | | 2x087670 8 Cap screw | |
| | | | x | x | x | | 2x378245 9 Washer Ø12 mm | |
| | | | x | x | x | | 2x080679 9 Lockwasher | |
| | | | x | x | x | | 2x084236 5 Locknut | |
| 7 | 621174 4 | | 1 | 1 | 1 | | Plate w/a, LH | |
| | | | x | x | x | | 2x087232 0 Screw | |
| | | | x | x | x | | 2x087670 8 Cap screw | |
| | | | x | x | x | | 2x378245 9 Washer Ø12 mm | |
| | | | x | x | x | | 2x080679 9 Lockwasher | |
| | | | x | x | x | | 2x084236 5 Locknut | |
| 8 | 855626 5 | | 1 | 1 | 1 | | Guide w/a, LH | |
| | | | x | x | x | | 3x087232 0 Screw 1/2" x 1 3/4" | |
| | | | x | x | x | | 3x084236 5 Locknut 1/2" | |

GROUP

6

CUTTERHEAD GEARBOX
 BOITE DE COMMANDE DU VOLANT HACHEUR
 GETRIEBEKASTEN MESSERTROMMEL
 SCATOLA INGRANAGGI ROTORE
 MESSERTROMMEL TANDWIELKAST

| Fig. | Order Ref. | CD | 1 8 0 0 | 1 9 0 0 | 2 2 0 0 | Code | Description | |
|------|------------|----|------------------|------------------|------------------|------|--|-----|
| | 848284 0 | | 1 | 1 | 1 | | Gearbox assy, Cutterhead – Without Crop Processor | 1.7 |
| | 795100 8 | | 1 | 1 | 1 | | Gearbox assy, Cutterhead – With Crop Processor | |
| 1 | 612922 0 | | 1 | 1 | 1 | | Cover | |
| | | | x | x | x | | 6x088011 3 Hex. cap screw | |
| | | | x | x | x | | 6x080680 2 Lockwasher | 0.7 |
| 2 | 710773 2 | | 1 | 1 | 1 | | Oil seal | |
| 3 | 854170 7 | | AR | AR | AR | | Shim 0.076 mm (.003") | |
| | 854171 9 | | AR | AR | AR | | Shim 0.254 mm (.010") | |
| 4 | 572267 1 | | 1 | 1 | 1 | | Bearing cup | |
| 5 | 572268 3 | | 1 | 1 | 1 | | Bearing cone | |
| 6 | 610557 3 | | 1 | 1 | 1 | | Gear set 15 T and 37 T – Without Crop Processor | |
| | 287554 4 | | 1 | 1 | 1 | | Gear set 12 T and 38 T – With Crop Processor | |
| | | | x | x | x | | 10x280438 1 Hex. cap screw | |
| | | | x | x | x | | 10x080848 8 Lockwasher | |
| 7 | 611835 4 | | 1 | 1 | 1 | | Bearing, tapered cup and cone – Without Crop Processor | |
| | 013539 2 | | 1 | 1 | 1 | | Bearing, Cone – With Crop Processor | |
| | 013957 8 | | 1 | 1 | 1 | | Bearing, Cup – With Crop Processor | |
| 8 | 572794 8 | | AR | AR | AR | | Shim 0.254 mm (.010") | |
| | 572795 0 | | AR | AR | AR | | Shim 0.076 mm (.003") | |
| | 572796 2 | | AR | AR | AR | | Shim 0.050 mm (.002") | |
| 9 | 627273 0 | | 1 | 1 | 1 | | Gearbox housing | |
| | | | x | x | x | | 1X087569 3 Grease fitting 1/4" | |
| 10 | 572806 5 | | 1 | 1 | 1 | | Washer, special | |
| 11 | 199954 5 | | 1 | 1 | 1 | | Bearing cone | |
| 12 | 287066 9 | | 1 | 1 | 1 | | Bearing cup | |
| 13 | 572807 7 | | 1 | 1 | 1 | | Washer, special | |
| 14 | 088692 5 | | 1 | 1 | 1 | | Hex. cap screw | 2.9 |
| | | | x | x | x | | 1x087340 9 Lockwasher | |
| 15 | 854173 3 | | AR | AR | AR | | Shim 0.254 mm (.010") | |
| | 854172 1 | | AR | AR | AR | | Shim 0.076 mm (.003") | |
| 16 | 572458 6 | | 1 | 1 | 1 | | Cap | |
| | | | x | x | x | | 4x088011 3 Hex. cap screw | |
| | | | x | x | x | | 4x080680 2 Lockwasher | |
| 17 | 080775 3 | | 1 | 1 | 1 | | Pipe plug | |
| 18 | 717421 4 | | 1 | 1 | 1 | | Breather assembly | |
| 19 | 612924 4 | | 1 | 1 | 1 | | Hub, Ring gear – Without Crop Processor | |
| | 288279 1 | | 1 | 1 | 1 | | Hub, Ring gear – With Crop Processor | |
| 20 | 572809 1 | | 1 | 1 | 1 | | Spacer | |
| 21 | 572270 8 | | 1 | 1 | 1 | | Bearing cone | |
| 22 | 163044 4 | | 1 | 1 | 1 | | Bearing cup | |
| 23 | 572791 2 | | AR | AR | AR | | Shim 0.050 mm (.002") | |
| | 572792 4 | | AR | AR | AR | | Shim 0.076 mm (.003") | |
| | 572793 6 | | AR | AR | AR | | Shim 0.254 mm (.010") | |

GROUP

8

FEEDROLL DRIVE GROUP
 GROUPE D'ENTRAÎNEMENT DES ROULEAUX D'ALIMENTATION
 ANTRIEBSGRUPPE FÜR EINZUGSWALZEN
 GRUPPO DI COMANDO DEI RULLI ALIMENTATORI
 AANDRIJVINGSGROEP VOEDINGSROLLEN

| Fig. | Order Ref. | CD | 1 8 0 0 | 1 9 0 0 | 2 2 0 0 | Code | Description | |
|------|------------|----|------------------|------------------|------------------|------|---------------------------------|-----|
| 1 | 692393 | 3 | 1 | 1 | 1 | | Yoke | 0.8 |
| 2 | 029214 | 2 | 1 | 1 | 1 | | Journal bearing | 0.8 |
| 3 | 692392 | 1 | 1 | 1 | 1 | | Splined yoke | 0.8 |
| 4 | 847754 | 6 | 1 | 1 | 1 | | Shaft | |
| 5 | 847757 | 2 | 1 | 1 | 1 | | Spacer | |
| 6 | 617330 | 0 | 1 | 1 | 1 | | Seal | |
| 7 | 854940 | 0 | 1 | 1 | 1 | | Bearing | |
| 8 | 854903 | 4 | 1 | 1 | 1 | | Bearing | 2.0 |
| 9 | 847758 | 4 | 1 | 1 | 1 | | Seal | |
| 10 | 847753 | 4 | 1 | 1 | 1 | | Sprocket w/a, 28 Tooth | 1.2 |
| 11 | 848019 | 9 | 1 | 1 | 1 | | Adjusting plate w/a | |
| 12 | 080710 | 7 | 2 | 2 | 2 | | Grease fitting 1/8" | |
| 13 | 131998 | 7 | 1 | 1 | 1 | | Screw, special | |
| 14 | 456970 | 1 | 1 | 1 | 1 | | Washer, special | |
| 15 | 067469 | 7 | 1 | 1 | 1 | | Washer | |
| 16 | 088886 | 6 | 2 | 2 | 2 | | Slotted nut 16 UNF P 3/4" | |
| 17 | 080754 | 9 | 2 | 2 | 2 | | Cotter pin 3/16" x 1 1/2" | |
| 18 | 412285 | 0 | 2 | 2 | 2 | | Screw | |
| 19 | 100018 | 4 | 4 | 4 | 4 | | Nut M12 | |
| 20 | 087689 | 7 | 4 | 4 | 4 | | Screw 1/2" x 1 1/2" | |
| 21 | 080679 | 7 | 4 | 4 | 4 | | Lockwasher 1/2" | |
| 22 | 378245 | 9 | 8 | 8 | 8 | | Washer Ø 12mm | |
| 23 | 100020 | 9 | 5 | 5 | 5 | | Nut M16 | |
| 24 | 140048 | 5 | 9 | 9 | 9 | | Lockwasher Ø 16mm | |
| 25 | 038260 | 0 | 1 | 1 | 1 | | Locking collar | |
| 26 | 768197 | 8 | 1 | 1 | 1 | 102 | Idler sprocket (Incl. fig. 110) | 2.5 |
| | 9610635 | 7 | 1 | 1 | 1 | 103 | Idler sprocket (Incl. fig. 110) | 2.5 |
| 27 | 768198 | 0 | 1 | 1 | 1 | | Bushing | |
| 28 | 322362 | 1 | 1 | 1 | 1 | | Carriage bolt M16 x 100mm | |
| 29 | 129344 | 8 | 1 | 1 | 1 | | Knob | |
| 30 | 129345 | 0 | 1 | 1 | 1 | | Circlip | |
| 31 | 854775 | 9 | 1 | 1 | 1 | | Crank | |
| 32 | 033778 | 2 | 1 | 1 | 1 | | Hairpin cotter | |
| 33 | 853796 | 2 | 1 | 1 | 1 | | Link, LH | |
| 34 | 853767 | 1 | 1 | 1 | 1 | | Link, RH | |
| 35 | 120070 | 8 | 1 | 1 | 1 | | Hex. screw M10 x 60mm | |
| 36 | 921372 | 7 | 1 | 1 | 1 | | Spacer | |
| 37 | 140045 | 9 | AR | AR | AR | | Lockwasher Ø 10mm | |
| 38 | 100016 | 0 | 3 | 3 | 3 | | Hex. nut M10 | |
| 39 | 120069 | 5 | 1 | 1 | 1 | | Hex. screw M10 x 50mm | |
| 40 | 921371 | 5 | 1 | 1 | 1 | | Spacer | |
| 41 | 854197 | 3 | 1 | 1 | 1 | | Lift nut | |
| 42 | 323787 | 2 | 3 | 3 | 3 | | Grease fitting | |

GROUP
10

REVERSING GEARBOX
 BOITIER INVERSEUR
 REVERSIERGETRIEBE
 SCATOLA INVERTITORE
 OMKEERTANDWIELKAST

| Fig. | Order Ref. | CD | 1 8 0 0 | 1 9 0 0 | 2 2 0 0 | Code | Description |
|------|------------|----|------------------|------------------|------------------|------|---------------------------------------|
| 60 | 285557 | 8 | 1 | 1 | 1 | | Bearing cup 87.32mm (3.438") OD |
| 61 | 611312 | 6 | 1 | 1 | 1 | | Spacer 54mm (2.125") OD |
| 62 | 701425 | 4 | 1 | 1 | 1 | | Seal 54mm (2.125") ID, 76.2mm (3") OD |
| 63 | 611363 | 3 | 1 | 1 | 1 | | Sprocket 20T - With Crop Processor |
| | 792753 | 8 | 1 | 1 | 1 | | Sprocket 14T - Without Crop Processor |
| 64 | 058821 | 4 | AR | AR | AR | | Washer |
| 65 | 011487 | 9 | 1 | 1 | 1 | | Circlip |
| 66 | 027258 | 2 | 1 | 1 | 1 | | Bushing |
| 67 | 163962 | 0 | AR | AR | AR | | Shim |
| 68 | 378246 | 1 | 2 | 2 | 2 | | Washer |
| 69 | 647894 | 0 | 2 | 2 | 2 | | Washer |
| 70 | 140048 | 5 | 2 | 2 | 2 | | Tooth lockwasher |
| 71 | 280232 | 5 | 1 | 1 | 1 | 102 | Hex. cap screw |
| | 9609351 | 2 | 1 | 1 | 1 | 103 | Special bolt 5/8" x 5 1/2" |
| 72 | 950781 | 7 | 1 | 1 | 1 | 105 | Diode assy |
| 73 | 088556 | 7 | 1 | 1 | 1 | | Hex. screw 5/8" x 2 1/4" |

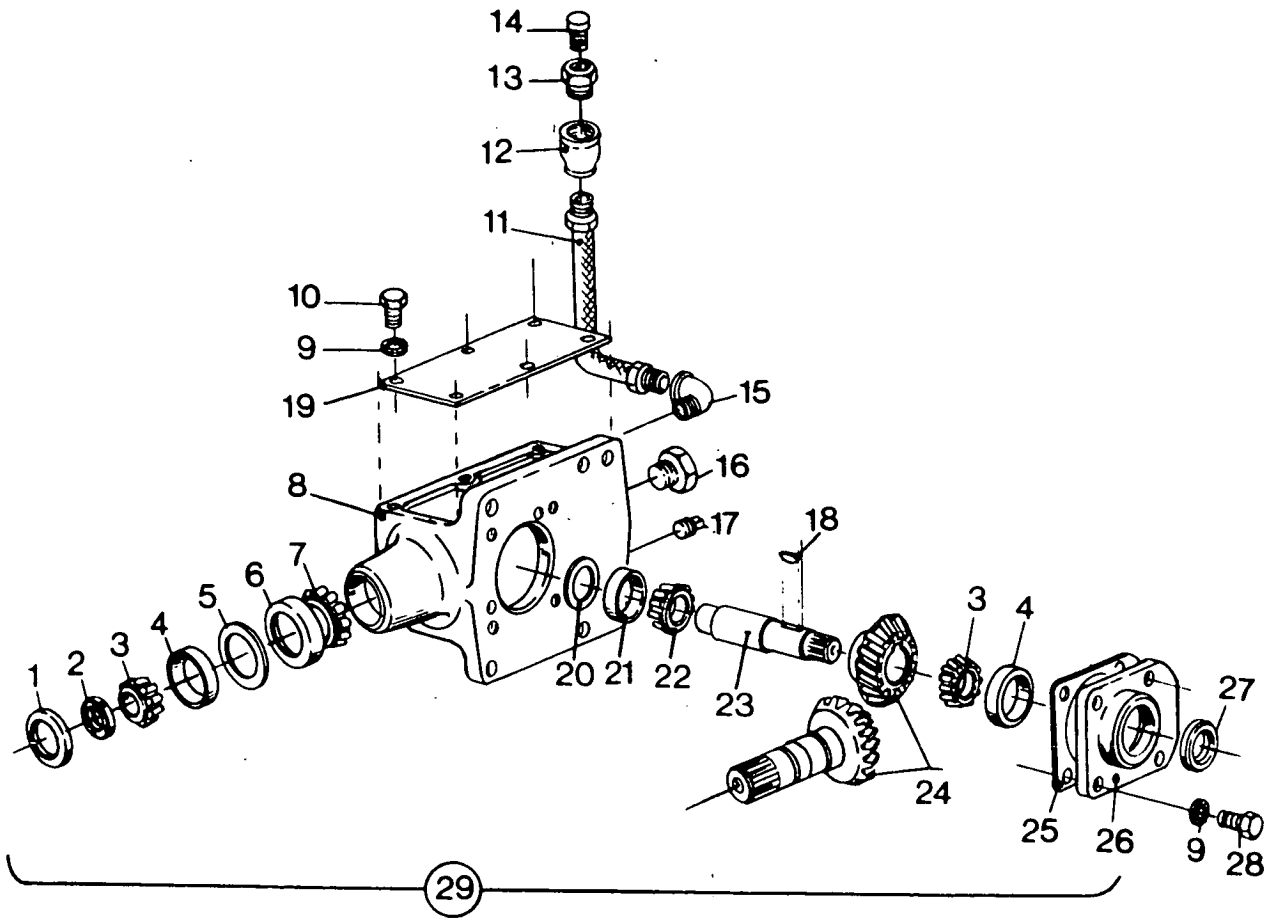
GROUP

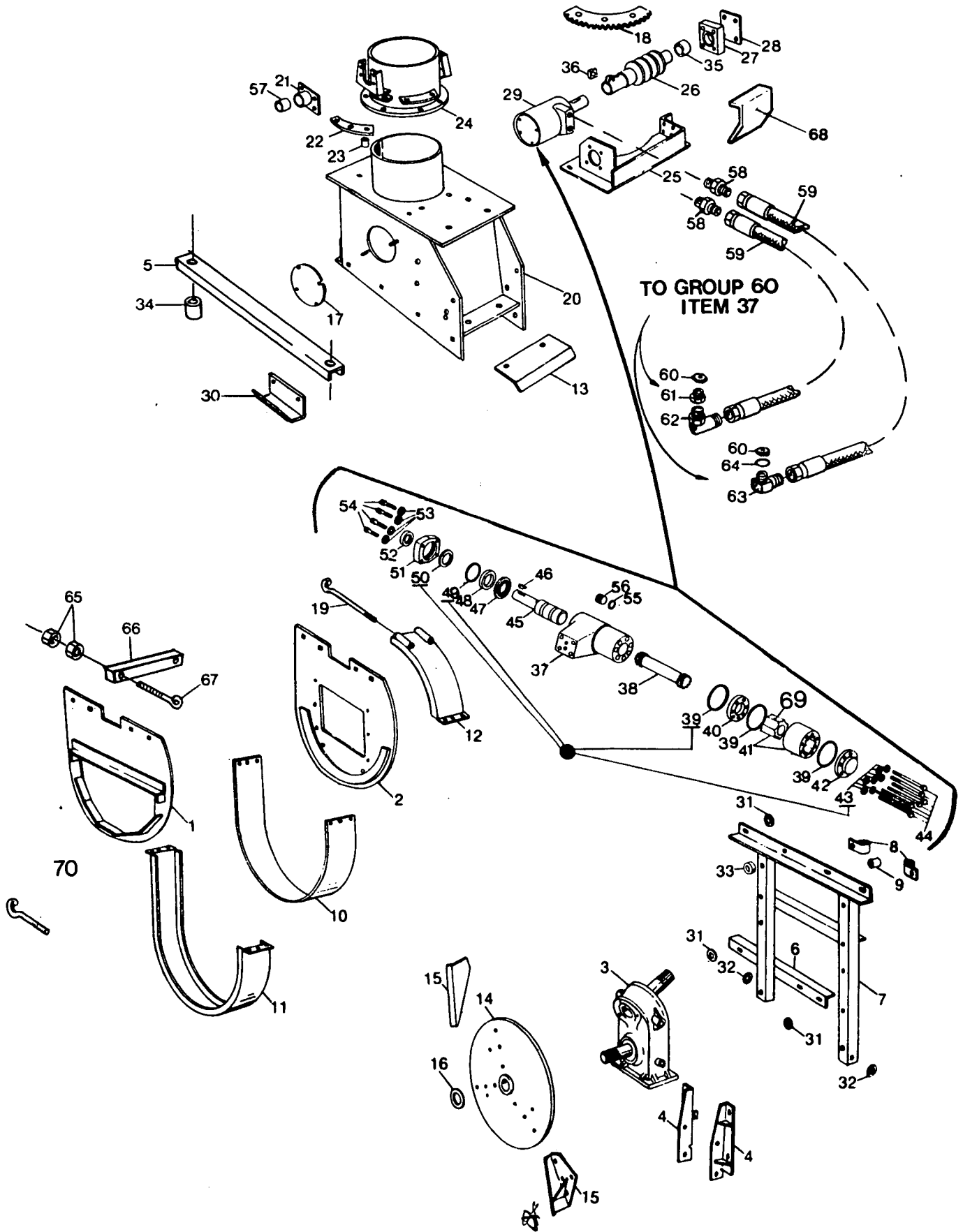
11

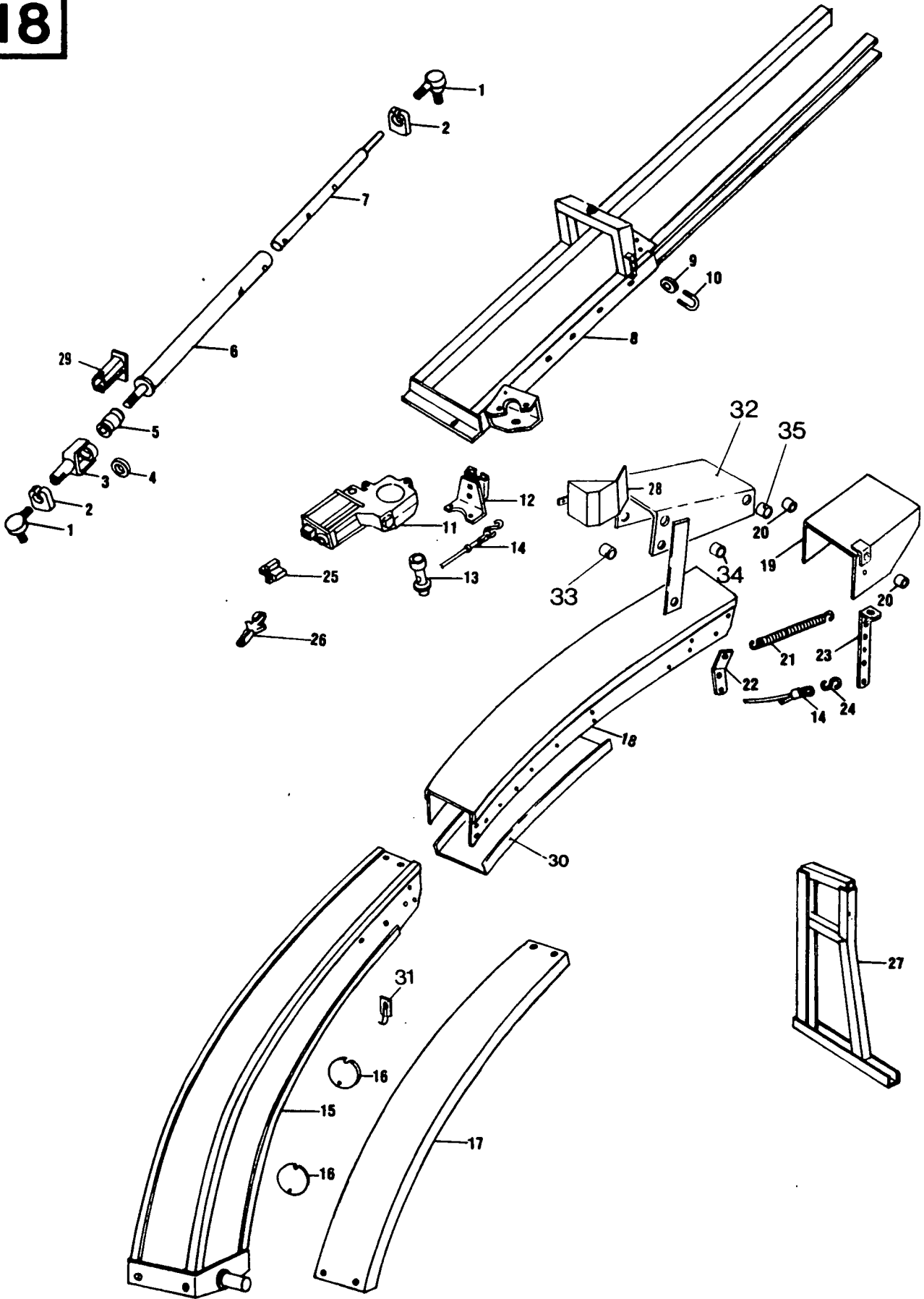
CROP PROCESSOR (LEFT-HAND)
 ECLATEUR (A GAUCHE)
 CROP PROCESSOR (LINKS)
 ROMPI-GRANELLA (A SINISTRA)
 GEWASKNEUZER (LINKS)

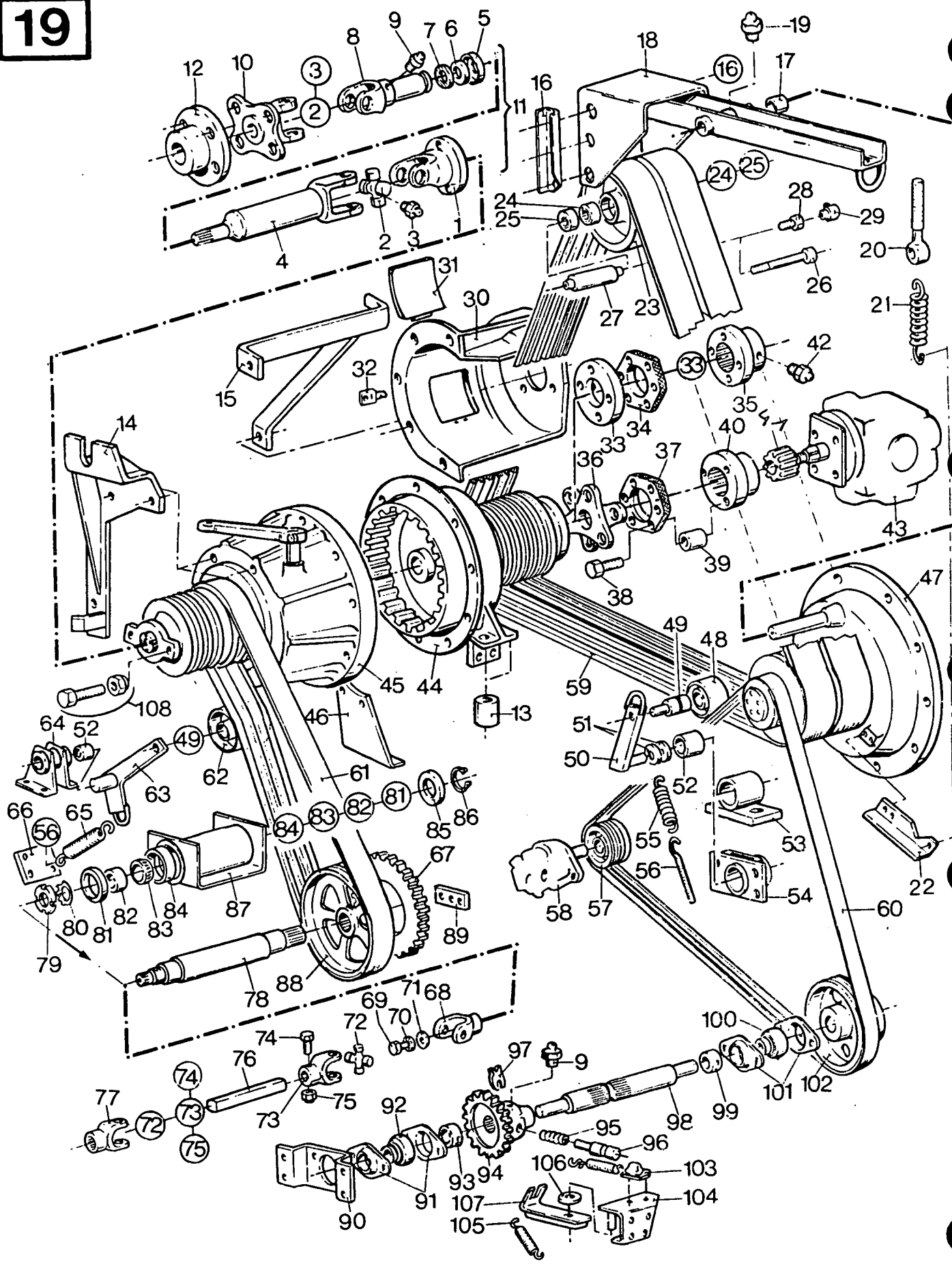
| Fig. | Order Ref. | CD | 1 | 1 | 2 | Code | Description |
|---------|------------|--------------------|----|----|----|------|---------------------------------|
| | | | 8 | 9 | 2 | | |
| | | | 0 | 0 | 0 | | |
| | | | 0 | 0 | 0 | | |
| 79 7667 | 1 | 8503109 | 1 | 1 | 1 | | Support, LH w/a |
| | 2 | 7943520 | 1 | 1 | 1 | | Support, LH w/a |
| | 3 | 0880620 | 8 | 8 | 8 | | Hex. screw 5/8" x 1 1/2" |
| | 4 | 1400485 | 8 | 8 | 8 | | Lockwasher Ø 16mm |
| | 5 | 0802993 | 8 | 8 | 8 | | Washer Ø 5/8" |
| | 6 | 8470174 | 1 | 1 | 1 | | Cover |
| | 7 | 8470186 | 1 | 1 | 1 | | Cover |
| | 8 | 8538952 | 1 | 1 | 1 | | Baffle |
| | 9 | 8552370 | 1 | 1 | 1 | 104 | Roll (use item 45) <i>me hr</i> |
| | 10 | 1373967 | 2 | 2 | 2 | 103 | Snap ring |
| | 11 | 0320864 | 2 | 2 | 2 | 104 | Bearing |
| | | 8518974 | 2 | 2 | 2 | 105 | Bearing |
| | 12 | 8553702 | 1 | 1 | 1 | 104 | Bearing house, LH |
| | | 96090871 | 1 | 1 | 1 | 105 | Bearing house, LH |
| | 13 | 1201003 | 4 | 4 | 4 | 103 | Hex. screw M6 x 20mm |
| | 14 | 3223570 | 4 | 4 | 4 | 103 | Lockwasher Ø 6mm |
| | 15 | 8553687 | 1 | 1 | 1 | 104 | Plate, LH |
| | | 96140397 | 1 | 1 | 1 | 105 | Plate, LH |
| | 16 | 0368230 | AR | AR | AR | | Shim |
| | 17 | 0111582 | AR | AR | AR | | Washer |
| | 18 | 1400461 | 2 | 2 | 2 | | Lockwasher Ø 12mm |
| | 19 | 1000184 | 2 | 2 | 2 | | Hex. nut M12 |
| | 20 | 1200811 | 2 | 2 | 2 | | Hex. screw M12 x 50mm |
| | 21 | 1228895 | AR | AR | AR | | Shim |
| | 22 | 2477805 | 5 | 5 | 5 | | Flange nut USR 3/8" - 16 |
| | 23 | 8552332 | 1 | 1 | 1 | | Pulley |
| | 24 | 2144456 | 2 | 2 | 2 | | Plain washer |
| | 25 | 0806799 | 8 | 8 | 8 | | Lockwasher 1/2" |
| | 26 | 0876897 | 4 | 4 | 4 | | Hex. screw 1/2" x 1 1/2" |
| | 27 | 7944370 | 1 | 1 | 1 | 100 | Arm, LH |
| | | 8555667 | 1 | 1 | 1 | 101 | Arm, LH |
| | 28 | 2809999 | 1 | 1 | 1 | | Screw 1/2" x 3" |
| | 29 | 2809987 | 2 | 2 | 2 | | Screw 1/2" x 2" |
| | 30 | 7944318 | 1 | 1 | 1 | | Hub |
| | 31 | 0842365 | 5 | 5 | 5 | | Lock nut 1/2" |
| | 32 | 95018587 | 1 | 1 | 1 | 102 | Special Floor w/a |
| | | 8555821 | 1 | 1 | 1 | 103 | Floor w/a |
| | 33 | 7943734 | 1 | 1 | 1 | | Cover |
| | | 8555819 | 1 | 1 | 1 | 101 | Cover |
| | 34 | 1454589 | 6 | 6 | 6 | | Flange nut 5/8" |
| | 35 | 8541202 | 1 | 1 | 1 | 100 | Frame w/a |
| | | 8555869 | 1 | 1 | 1 | 101 | Frame w/a |
| | 36 | 2810017 | 2 | 2 | 2 | 104 | Hex. screw |
| | | 2810776 | 2 | 2 | 2 | 105 | Hex. screw tap 1/2" x 4 1/2" |

GROUP
13A









PULLEY AND HOUSING
 POULIE ET LOGEMENT DU POULIE
 RIEMENSCHIBE UND RIEMENSCHIBENGEHÄUSE
 PULEGGIA ED ALLOGGIAMENTO PULEGGIA
 RIEMSCHIJF EN RIEMSCHIJFHUIS

| Fig. | Order Ref. | CD | 1 8 0 0 | 1 9 0 0 | 2 2 0 0 | Code | Description |
|------|------------|----|------------------|------------------|------------------|------|------------------|
| 22 | 573944 | 8 | 1 | 1 | 1 | | Ball bearing |
| 23 | 382453 | 6 | | 1 | 1 | | "O" ring |
| 24 | 080679 | 9 | | 6 | 6 | | Tooth lockwasher |
| 25 | 379753 | 7 | | 6 | 6 | | Hex. cap screw |

OPERATOR'S PLATFORM
 PLATE-FORME DE CONDUITE
 FAHRERSTAND
 PIATTAFORMA DI GUIDA
 STUURPLATFORM

| Fig. | Order Ref. | CD | 1 8 0 0 | 1 9 0 0 | 2 2 0 0 | Code | Description |
|------|------------|----|------------------|------------------|------------------|------|--|
| 13 | 6122163 | | 1 | 1 | 1 | | Cover 4x084909 2 Machine screw 4x080701 8 Washer 4x080682 6 Lockwasher |
| 14 | 5782538 | | 1 | 1 | 1 | | Rear panel w/a 6x087887 7 Screw, self-tapping 7x087872 6 Hex. cap screw 6x080664 8 Washer 7x080681 4 Lockwasher 7x084943 4 Hex. nut |
| 15 | 5782576 | | 1 | 1 | 1 | | Panel 11x087887 7 Screw, self-tapping 5x087872 6 Hex. cap screw 11x080664 8 Washer 16x080681 4 Lockwasher 5x084943 4 Hex. nut |
| 16 | 5783441 | | 1 | 1 | 1 | | Tool box w/a 4x120109 1 Hex. cap screw 4x140045 9 Lockwasher 4x100016 0 Hex. nut |
| 17 | 5783477 | | 1 | 1 | 1 | | Cover 2x523291 3 Lock screw 2x523282 4 Flanged nut |
| 18 | 7198466 | | 1 | 1 | 1 | | Tool tray |
| 19 | 0380276 | | 1 | 1 | 1 | | SMV (Slow Moving Vehicle) mount 2x087887 7 Screw, self-tapping 2x080681 4 Lockwasher |
| 20 | 1020439 | | 3 | 3 | 3 | | Rubber grommet |
| | 5168372 | | 1 | 1 | 1 | | Rubber grommet |
| 21 | 2472677 | | AR | AR | AR | | Sealing strip |

STEERING COLUMN AND VALVE
 COLONNE DE DIRECTION ET VALVE
 LENKSÄULE UND VENTIL
 COLONNA DELLA STERZO E IDROGUIDA
 STUURKOLOM EN KLEP

Valid from Serial No. 8815001 (S1800)
 8718001 (S1900)
 8909001 (S2200)

| Fig. | Order Ref. | CD | 1 8 0 0 | 1 9 0 0 | 2 2 0 0 | Code | Description |
|------|------------|----|------------------|------------------|------------------|------|---|
| 1 | 850145 0 | | 1 | 1 | 1 | 103 | Steering wheel assy (Incl. fig. 2) |
| 2 | 323009 4 | | 1 | 1 | 1 | 103 | Cap steering wheel |
| 3 | 084972 5 | | 1 | 1 | 1 | 103 | Nut 3/4" |
| 4 | 600083 6 | | 1 | 1 | 1 | 103 | Washer |
| 5 | 050600 8 | AR | AR | AR | | 103 | Washer |
| 6 | 696389 8 | | 1 | 1 | 1 | 103 | Shaft |
| 7 | 600122 0 | | 1 | 1 | 1 | 103 | Double pivot |
| 8 | 084064 0 | | 2 | 2 | 2 | 103 | Grouded pin 1/4" x 1 3/4" |
| 9 | 590860 1 | | 1 | 1 | 1 | 103 | Screw 1/4" x 3/8" |
| 10 | 772279 8 | | 1 | 1 | 1 | 103 | Bearing assy |
| 11 | 145913 5 | | 3 | 3 | 3 | 103 | Self locking screw |
| 12 | 145458 9 | | 3 | 3 | 3 | 103 | Flange nut 5/16" - 18 |
| 13 | 087824 5 | | 2 | 2 | 2 | 103 | Self tr. screw # 10 x 1/2" |
| 14 | 696360 8 | | 1 | 1 | 1 | 103 | Shaft |
| 15 | 680511 1 | | 1 | 1 | 1 | 103 | Strap w/a |
| 16 | 696361 0 | | 1 | 1 | 1 | 103 | Baffle |
| 17 | 224379 7 | | 2 | 2 | 2 | 103 | Washer |
| 18 | 257555 0 | | 1 | 1 | 1 | 103 | Stub shaft w/a |
| 19 | 308761 9 | | 4 | 4 | 4 | 103 | Carriage bolt |
| 20 | 378243 5 | | 4 | 4 | 4 | 103 | Lockwasher Ø 8mm |
| 21 | 100067 7 | | 10 | 10 | 10 | 103 | Lock nut M8 |
| 22 | 087695 0 | | 4 | 4 | 4 | 103 | Screw 3/8" x 5/8" |
| 23 | 9601011 4 | | 1 | 1 | 1 | 103 | Mounting plate |
| 24 | 383941 2 | | 1 | 1 | 1 | 103 | Steering pump assy (For:breakdown see group 27 item 20 to 36) |
| 25 | 750406 3 | | 1 | 1 | 1 | 103 | Adapter |
| 26 | 330308 7 | | 2 | 2 | 2 | 103 | Screw M10x1 x 40mm |
| 27 | 395782 8 | | 2 | 2 | 2 | 103 | Connector fitting |
| 28 | 395019 1 | | 2 | 2 | 2 | 103 | Connector fitting |
| 29 | 160163 3 | | 1 | 1 | 1 | 103 | Hose |
| 30 | 9506284 5 | | 1 | 1 | 1 | 103 | Hose |
| 31 | 338009 1 | | 2 | 2 | 2 | 103 | Hose |
| 32 | 578070 0 | | 2 | 2 | 2 | 103 | Tube clamp |
| 33 | 323597 9 | | 4 | 4 | 4 | 103 | Clamp |
| 34 | 412479 7 | | 4 | 4 | 4 | 103 | Hex. screw M8 x 35mm |
| 35 | 398685 5 | | 4 | 4 | 4 | 103 | "O" ring Ø 23.47 x 2.62mm |
| 36 | 512848 1 | | 8 | 8 | 8 | 103 | Special washer |
| 37 | 694026 8 | | 4 | 4 | 4 | 103 | Bushing |
| 38 | 689903 1 | | 1 | 1 | 1 | 103 | Stop |
| 39 | 084952 3 | | 2 | 2 | 2 | 103 | Nut |
| 40 | 080679 9 | | 2 | 2 | 2 | 103 | Lockwasher |
| 41 | 378245 9 | AR | AR | AR | | 103 | Washer Ø 12mm |
| 42 | 604727 6 | | 2 | 2 | 2 | 103 | Plug button |

GROUP
25A

HYDAULIC VALVE
 VALVE HYDRAULIQUE
 STEUERVERTIL
 DISTRIBUTORE IDRAULICO
 HYDRAULISCH BESTURINGSVENTIEL

| Fig. | Order Ref. | CD | 1 8 0 0 | 1 9 0 0 | 2 2 0 0 | Code | Description | |
|------|------------|----|------------------|------------------|------------------|------|---|-------|
| | 629628 5 | | 1 | 1 | 1 | 102 | Valve assembly | 1.2 |
| 1 | 129995 7 | | 2 | 2 | 2 | 102 | End cap | |
| | | | x | x | x | 102 | 4x129997 1 Hex. cap screw (with washer) | |
| 2 | 129996 9 | | 2 | 2 | 2 | 102 | "O" ring | 0.7 |
| 3 | 130300 9 | | 1 | 1 | 1 | 102 | Plug assembly (Incl.figs. 4,5 and 6) |] 0.7 |
| 4 | 063137 0 | | 1 | 1 | 1 | 102 | "O" ring | |
| 5 | 130302 3 | | 1 | 1 | 1 | 102 | Roll pin |] 1.7 |
| 6 | 011869 9 | | 1 | 1 | 1 | 102 | Steel ball | |
| 7 | NSS | | 1 | 1 | 1 | 102 | Valve body | |
| 8 | 129998 3 | | 1 | 1 | 1 | 102 | Plug assembly (Incl.fig.9) | |
| 9 | 129270 1 | | 1 | 1 | 1 | 102 | "O" ring | 0.4 |
| 10 | NSS | | 1 | 1 | 1 | 102 | Valve spool |] 1.0 |
| 11 | 129992 1 | | 2 | 2 | 2 | 102 | Washer, special | |
| 12 | 274376 1 | | 1 | 1 | 1 | 102 | Spring | |
| 13 | 129994 5 | | 1 | 1 | 1 | 102 | Centring screw |] 0.7 |
| 14 | 276288 6 | | 1 | 1 | 1 | 102 | Spring | |
| 15 | 275619 8 | | 1 | 1 | 1 | 102 | Plug | |
| 16 | 275332 0 | | 2 | 2 | 2 | 102 | Valve seat | |
| 17 | 517309 4 | | 1 | 1 | 1 | 102 | Connector fitting | |
| 18 | 128826 9 | | 1 | 1 | 1 | 102 | "O" ring | |

ELECTRICAL EQUIPMENT
 EQUIPEMENT ELECTRIQUE
 ELEKTRISCHE AUSRÜSTUNG
 IMPIANTO ELETTRICO
 ELEKTRISCHE UITRUSTING

| Fig. | Order Ref. | CD | 1 8 0 0 | 1 9 0 0 | 2 2 0 0 | Code | Description | |
|------|------------|----|------------------|------------------|------------------|------|---|-----|
| 1 | 443424 | 9 | 1 | 1 | 1 | | Panel w/a 3x087872 6 Machine screw 3x322358 2 Lockwasher | |
| 2 | 264142 | 4 | 1 | 1 | 1 | | Flasher switch | 0.5 |
| 3 | 353077 | 3 | 5 | 5 | 5 | | Light assy, Indicator 5x470013 1 Bulb, red | 0.5 |
| 4 | 457070 | 4 | 1 | 1 | 1 | 104 | Revolution counter | 0.5 |
| | 918199 | 4 | 1 | 1 | 1 | 105 | Revolution counter | 0.5 |
| 5 | 621586 | 7 | 1 | 1 | 1 | | Ignition switch (Incl.fig.6) | 0.5 |
| 6 | 167334 | 3 | 1 | 1 | 1 | | Keys (Set of 2) | |
| 7 | 713066 | 6 | 1 | 1 | 1 | | Rocker switch, Powered rear axle | 0.5 |
| 8 | 618118 | 1 | 1 | 1 | 1 | | Cap plug | |
| 9 | 334686 | 1 | 2 | 2 | 2 | | Fuse block (Mounts on stand) (Incl. 5x336851 4 Fuses, 8 A) | |
| 10 | 354258 | 8 | 1 | 1 | 1 | | Fuse holder | |
| 11 | 454325 | 2 | 1 | 1 | 1 | | Gauge, Water temperature | |
| 12 | 613634 | 0 | 1 | 1 | 1 | | Fuel gauge 1x456220 4 Bulb holder 1x527525 4 Bulb | 0.5 |
| 13 | 613635 | 2 | 1 | 1 | 1 | | Voltmeter | 0.5 |
| 14 | 454324 | 0 | 1 | 1 | 1 | | Gauge, Oil pressure | 0.5 |
| 15 | 456119 | 7 | 1 | 1 | 1 | | Wiring loom, Instrument panel | |
| 16 | 131376 | 9 | AR | AR | AR | | Circuit breaker, 20 A | 0.5 |
| | 768120 | 7 | AR | AR | AR | | Circuit breaker, 20 A | |
| 17 | 188180 | 1 | 1 | 1 | 1 | | Circuit breaker, 6 A | |
| | 768106 | 7 | 1 | 1 | 1 | | Circuit breaker, 6 A | |
| 18 | 238093 | 7 | 1 | 1 | 1 | | Circuit breaker, 15 A | 0.5 |
| | 767893 | 3 | 1 | 1 | 1 | | Circuit breaker, 30 A | |
| 19 | 353723 | 4 | 1 | 1 | 1 | | Grommet | |
| 20 | 243461 | 5 | 1 | 1 | 1 | | Relay switch 2x378056 8 Hex. cap screw 2x322357 0 Lockwasher 2x100014 6 Hex. nut | 0.5 |
| 21 | 323116 | 1 | 1 | 1 | 1 | | Light switch | 0.5 |
| 22 | 334908 | 3 | 1 | 1 | 1 | | Indicator light, blue 1x470013 1 Bulb | 0.5 |
| 23 | 441074 | 4 | 1 | 1 | 1 | | Flasher unit 6x321803 6 Hex. cap screw 6x322355 6 Lockwasher 6x100012 2 Hex. nut | 0.5 |
| 24 | 336096 | 2 | 1 | 1 | 1 | | Switch, Turn signal | |
| 25 | 456117 | 0 | 1 | | | | Wiring loom, Switches to fuse block | |
| | 921568 | 2 | | 1 | 1 | | Wiring loom, Switches to fuse block | |

GROUP
30

BRAKE PEDALS AND HYDRAULIC CIRCUIT
 PEDALES ET CIRCUIT HYDRAULIQUE DES FREINS
 PEDALE UND HYDRAULISCHER KREISLAUF BREMSSEN
 PEDALI E CIRCUITO IDRAULICO DEI FRENI
 PEDALEN EN HYDRAULISCH CIRCUIT VOOR REMMEN

FOR S 1900 - S 2200 ONLY

| Fig. | Order Ref. | CD | 1 8 0 0 | 1 9 0 0 | 2 2 0 0 | Code | Description |
|------|------------|----|------------------|------------------|------------------|------|--|
| 1 | 379615 | 5 | | 1 | 1 | | Pedal block, RH |
| | | | | x | x | | 1x120112 8 Hex. cap screw |
| | | | | x | x | | 1x140045 9 Lockwasher |
| | | | | x | x | | 1x100016 0 Hex. nut |
| 2 | 379614 | 3 | | 1 | 1 | | Pedal block, LH |
| | | | | x | x | | 1x120112 8 Hex. cap screw |
| | | | | x | x | | 1x140045 9 Lockwasher |
| | | | | x | x | | 1x100016 0 Hex. nut |
| 3 | 265799 | 6 | | 1 | 1 | | Interlocking arm |
| | | | | x | x | | 1x120105 3 Hex. cap screw |
| | | | | x | x | | 1x378243 5 Plain washer |
| | | | | x | x | | 1x322358 2 Lockwasher |
| | | | | x | x | | 1x100015 8 Hex. nut |
| 4 | 141979 | 9 | | 1 | 1 | | Spacer |
| 5 | 921186 | 2 | | 1 | 1 | 104 | Brake pedal w/a, RH |
| | 950550 | 4 | | 1 | 1 | 105 | Brake pedal w/a, RH |
| 6 | 921185 | 0 | | 1 | 1 | 104 | Brake pedal w/a, LH |
| | 950550 | 6 | | 1 | 1 | 105 | Brake pedal w/a, LH |
| 7 | 769948 | 2 | | 2 | 2 | | Seal |
| 8 | 265598 | 0 | | 4 | 4 | | Angle |
| | | | | x | x | | 2x120102 7 Hex. cap screw |
| | | | | x | x | | 4x140015 6 Plain washer |
| | | | | x | x | | 2x322357 0 Lockwasher |
| | | | | x | x | | 2x100014 6 Hex. nut |
| 9 | 120161 | 1 | | 2 | 2 | | Hex. cap screw |
| 10 | 100097 | 0 | | 4 | 4 | | Nut, hex. jam |
| 11 | 180035 | 6 | | 2 | 2 | | Spring |
| 12 | 772279 | 8 | | 4 | 4 | | Bearing housing |
| | | | | x | x | | 4x120104 1 Hex. cap screw |
| | | | | x | x | | 2x120161 1 Hex. cap screw |
| | | | | x | x | | 6x322358 2 Lockwasher |
| | | | | x | x | | 6x100015 8 Hex.nut |
| 13 | 390014 | 6 | | 2 | 2 | 104 | Clevis pin |
| | | | | x | x | | 2x130002 7 Cotter pin |
| 14 | 356353 | 2 | | 2 | 2 | 104 | Cylinder assy, Master brake (Incl. fig. ■) |
| 15 | 920940 | 1 | | 2 | 2 | 104 | Oil pipe assy |
| 16 | 336724 | 5 | | 1 | 1 | 104 | "T" fitting |
| 17 | 367923 | 4 | | 1 | 1 | 104 | Ventil |
| 18 | 354372 | 0 | | 1 | 1 | 104 | Pressure switch |
| 19 | 920941 | 3 | | 2 | 2 | 104 | Oil pipe assy |
| 20 | 446596 | 5 | | 1 | 1 | 104 | Oil pipe assy |
| 21 | 913888 | 0 | | 1 | 1 | | Clamp |
| 22 | 446593 | 9 | | 1 | 1 | | Hose |
| 23 | 446470 | 9 | | 1 | 1 | | Reservoir (Incl. figs. 36 & 37) |

GROUP
32A

DIFFERENTIAL LOCK CONTROL
 COMMANDE DU VERROU DU DIFFERENTIEL
 BEDIENUNG DER DIFFERENZIALSPERRE
 COMANDO DEL CHIAVISTELLO DEL DIFFERENZIALE
 BEDIENING VAN DIFFERENTIEEL SLOT

| Fig. | Order Ref. | CD | 1 8 0 0 | 1 9 0 0 | 2 2 0 0 | Code | Description | |
|------|------------|----|------------------|------------------|------------------|------|---------------------------------------|--------|
| 1 | 100015 8 | | 8 | 8 | 8 | | Hex. nut M8 | |
| 2 | 322358 2 | | 8 | 8 | 8 | | Tooth lockwasher Ø 8mm | |
| 3 | 120104 1 | | 8 | 8 | 8 | | Hex. cap screw M8 x 20mm | |
| 4 | 446398 5 | | 1 | 1 | 1 | | Bearing flange | |
| 5 | 120105 3 | | 1 | 1 | 1 | 102 | Hex. cap screw | |
| | 120058 2 | | 1 | 1 | 1 | 103 | Hex. cap screw M8x30mm | |
| 6 | 435287 7 | | 1 | 1 | 1 | | Pedal | |
| 7 | 750787 9 | | 1 | 1 | 1 | | Lever | |
| 8 | 435288 9 | | 1 | 1 | 1 | | Bushing | |
| 9 | 378243 5 | | 6 | 6 | 6 | | Plain washer | |
| 10 | 748920 9 | | 1 | 1 | 1 | | Pivto pin | |
| 11 | 130003 9 | | 4 | 4 | 4 | | Cotter pin | |
| 12 | 378245 9 | | 3 | 3 | 3 | | Washer | |
| 13 | 100067 7 | | 1 | 1 | 1 | 103 | Hex. locknut M8 | |
| 14 | 748929 7 | | 1 | 1 | 1 | | Cable assembly (Incl. figs. 15 to 19) | 0.7 |
| 15 | 412469 6 | | 2 | 2 | 2 | | Clevis | |
| 16 | 100014 6 | | 2 | 2 | 2 | | Hex. nut | |
| 17 | 354145 9 | | 4 | 4 | 4 | | Nut, hex. jam | |
| 18 | 354142 3 | | 2 | 2 | 2 | | Bearing flange | |
| 19 | 445468 3 | | 2 | 2 | 2 | | Pin & clip | |
| 20 | 323597 9 | | 3 | 3 | 3 | | Cable strap | |
| 21 | 335021 4 | | 1 | 1 | 1 | | Clamp | |
| 22 | 120099 8 | | 1 | 1 | 1 | | Hex. cap screw | |
| 23 | 322357 0 | | 5 | 5 | 5 | | Tooth lockwasher | |
| 24 | 100014 6 | | 5 | 5 | 5 | | Hex. nut | |
| 25 | 321204 6 | | 3 | 3 | 3 | | Grease fitting | |
| 26 | 370024 3 | | 2 | 2 | 2 | 104 | Circlip | |
| 27 | 424775 9 | | 1 | 1 | 1 | | Lever | |
| 28 | 378244 7 | | 2 | 2 | 2 | | Washer | |
| 29 | 412318 7 | | 1 | 1 | 1 | | Pin | |
| 30 | 424781 2 | | 1 | 1 | 1 | | Shaft | 2.9 |
| 31 | 064779 1 | | 1 | 1 | 1 | | "O" ring | |
| 32 | 433760 9 | | 1 | 1 | 1 | | Bushing | |
| 33 | 412245 2 | | 2 | 2 | 2 | | Sleeve bushing | |
| 34 | 424776 1 | | 1 | 1 | 1 | | Selector fork | 2.9 |
| 35 | 120151 3 | | 1 | 1 | 1 | | Set screw | |
| 36 | 455097 8 | | 1 | 1 | 1 | | Spring |] 15.5 |
| 37 | 455094 2 | | 1 | 1 | 1 | | Bushing | |
| 38 | 272380 8 | | 1 | 1 | 1 | | "O" ring | |
| 39 | 455098 0 | | 1 | 1 | 1 | | Bushing | |
| 40 | 455093 0 | | 1 | 1 | 1 | | Seal ring | |
| 41 | 180063 5 | | 1 | 1 | 1 | | Spring | |
| 42 | 750786 7 | | 1 | 1 | 1 | | Bracket | |
| 43 | 750785 5 | | 1 | 1 | 1 | | Bushing | |

GROUP
34A

BRAKES AND DIFFERENTIAL
 FREINS ET DIFFERENTIEL
 BREMSE UND DIFFENTIALGETRIEBE
 FRENI E DIFFERENZIALE
 REMMEN EN DIFFERENTIEEL

| Fig. | Order Ref. | CD | 1 8 0 0 | 1 9 0 0 | 2 2 0 0 | Code | Description | |
|------|------------|----|------------------|------------------|------------------|------|---|------|
| 1 | 337475 7 | | 6 | 6 | 6 | | Hex.nut | |
| 2 | 140046 1 | | 6 | 6 | 6 | | Lockwasher | |
| 3 | 431088 1 | | 1 | 1 | 1 | | Stud | |
| 4 | 353720 8 | | 3 | 3 | 3 | | Stud | |
| 5 | 430695 7 | | 1 | 1 | 1 | | Brake housing, RH | |
| 6 | 381511 9 | | 2 | 2 | 2 | | Cover | |
| 7 | 100020 9 | | 8 | 8 | 8 | | Hex. nut | |
| 8 | 430936 9 | | 2 | 2 | 2 | | Spacer ring | |
| 9 | 370013 0 | | 2 | 2 | 2 | | Circlip | |
| 10 | 140048 5 | | 8 | 8 | 8 | | Lockwasher | |
| 11 | 381858 3 | | 2 | 2 | 2 | | Oil seal | 11.1 |
| 12 | 210046 6 | | 1 | 1 | 1 | | Ball bearing | 20.0 |
| 13 | 455096 6 | | 1 | 1 | 1 | | Differential shaft, RH -With differential lock | 10.9 |
| 14 | 455178 0 | | 1 | 1 | 1 | | Gear & housing (Matched set) - With differential lock | 20.0 |
| 15 | 410007 6 | | 2 | 2 | 2 | | Spider shaft | |
| 16 | 410006 4 | | 4 | 4 | 4 | | Pinion | |
| 17 | 210014 9 | | 4 | 4 | 4 | | Dished washer | |
| 18 | 331649 0 | | 4 | 4 | 4 | | Locking plate | |
| 19 | 120073 4 | | 8 | 8 | 8 | | Hex. cap.screw | |
| 20 | 410034 3 | | 2 | 2 | 2 | | Planet pinion | |
| 21 | 210013 7 | | 2 | 2 | 2 | | Thrust ring | |
| 22 | 455175 4 | | 1 | 1 | 1 | | Differential assembly (Incl.figs. 14 to 21) -With differential lock | |
| 23 | 323238 9 | | 4 | 4 | 4 | | Nut, hex. jam | |
| 24 | 200086 8 | | 2 | 2 | 2 | | Bushing | |
| 25 | 430891 3 | | 4 | 4 | 4 | | Lever | 2.0 |
| 26 | 130003 9 | | 4 | 4 | 4 | | Cotter pin | |
| 27 | 390017 2 | | 2 | 2 | 2 | | Pivot pin | |
| 28 | 482282 4 | | 2 | 2 | 2 | | Pivot block | |
| 29 | 130005 3 | | 4 | 4 | 4 | | Cotter pin | |
| 30 | 390022 3 | | 2 | 2 | 2 | | Pin | |
| 31 | 433622 7 | | 1 | 1 | 1 | | Brake housing, LH - With differential lock | |
| 32 | 378244 7 | | 2 | 2 | 2 | | Plain washer | |
| 33 | 336746 1 | | 2 | 2 | 2 | | Connecting link | |
| 34 | 410418 7 | | 2 | 2 | 2 | | Adjusting rod | |
| 35 | 353718 3 | | 2 | 2 | 2 | | Dust cap | 2.5 |
| 36 | 357300 2 | | 2 | 2 | 2 | | Clevis | |
| 37 | 130002 7 | | 2 | 2 | 2 | | Cotter pin | |
| 38 | 357297 3 | | 2 | 2 | 2 | | Clevis pin | |
| 39 | 357298 5 | | 2 | 2 | 2 | | Léver | |
| 40 | 357299 7 | | 4 | 4 | 4 | | Lever, offset | |
| 41 | 087308 1 | | 4 | 4 | 4 | | Nut, Hex. jam 3/8" UNF | |
| 42 | 357294 7 | | 4 | 4 | 4 | | Cap screw, hex. head; special | |

GROUP
37

CLICK HERE TO **DOWNLOAD** THE COMPLETE MANUAL

- Thank you very much for reading the preview of the manual.
- You can download the complete manual from: www.heydownloads.com by clicking the link below



- Please note: If there is no response to CLICKING the link, please download this PDF first and then click on it.

CLICK HERE TO **DOWNLOAD** THE COMPLETE MANUAL

END REDUCTION
 REDUCTION FINALE
 EINDREDUKTION
 RIDUTTORE FINALE
 EINDREDUKTIE

| Fig. | Order Ref. | CD | 1 8 0 0 | 1 9 0 0 | 2 2 0 0 | Code | Description | |
|------|------------|----|------------------|------------------|------------------|------|-----------------|-----|
| 39 | 321204 | 6 | 6 | 6 | 6 | | Grease fitting | |
| 40 | 381503 | 2 | 1 | 1 | 1 | | Bearing cone | 6.7 |
| 41 | 381508 | 2 | 1 | 1 | 1 | | Bearing cone | 6.1 |
| 42 | 440998 | 1 | 1 | 1 | 1 | | Gear | |
| 43 | 382610 | 0 | 4 | 4 | 4 | | Pin | |
| 44 | 381823 | 0 | 4 | 4 | 4 | | Coupling | |
| 45 | 450305 | 6 | 1 | 1 | 1 | | Drive shaft, RH | |
| 46 | 450306 | 8 | 1 | 1 | 1 | | Drive shaft, LH | |
| 47 | 120073 | 4 | 4 | 4 | 4 | | Hex. cap screw | |
| 48 | 922092 | 4 | 1 | 1 | 1 | | Bushing | |

HYDROSTATIC PUMP
 POMPE HYDROSTATIQUE
 HYDROSTATIKPUMPE
 POMPA IDROSTATICA
 HYDROSTATISCHE POMP

| Fig. | Order Ref. | CD | 1 8 0 0 | 1 9 0 0 | 2 2 0 0 | Code | Description |
|------|------------|----|------------------|------------------|------------------|------|--|
| 37 | 165181 6 | | 1 | 1 | 1 | | Pin |
| 38 | 214878 3 | | 1 | 1 | 1 | | Bearing cup & cone assy |
| 40 | 274711 3 | | 1 | 1 | 1 | | Shim kit |
| 41 | 188543 1 | | 1 | 1 | 1 | | Gasket, End cap |
| 42 | 705041 4 | | 1 | 1 | 1 | | End cap |
| 43 | 087870 2 | | 4 | 4 | 4 | | Cap screw |
| 44 | 087178 4 | | 4 | 4 | 4 | | Cap screw |
| 45 | 163094 9 | | 2 | 2 | 2 | | Check valve |
| 46 | 165214 7 | | 1 | 1 | 1 | | Gasket, Charge pump |
| 47 | 274710 1 | | 1 | 1 | 1 | | Pump assy, Charge (For breakdown see group 45) |
| 48 | 280492 5 | | 4 | 4 | 4 | | Cap screw, hex. head |
| 49 | 705043 8 | | 2 | | | | Spring piston assembly |
| | 165219 7 | | | 2 | 2 | | Spring |
| 50 | 165217 3 | | 2 | 2 | 2 | | "O" ring |
| 51 | 165216 1 | | 2 | 2 | 2 | | "O" ring |
| 52 | *264033 3 | | 2 | 2 | 2 | | Servo-sleeve assy |
| 53 | 165215 9 | | 2 | 2 | 2 | | Sleeve retainer |
| 54 | 166277 0 | | 4 | 4 | 4 | | Cap screw, hex. head, special |
| 55 | 274383 6 | | 1 | | | | Block assy, Cylinder |
| | 396348 9 | | | 1 | 1 | | Block assy, Cylinder |
| 56 | 272794 5 | | 1 | 1 | 1 | | Thrust plate |
| 57 | 271708 3 | | 2 | | | | "O" ring |
| | NSS | | | 2 | 2 | | "O" ring |
| 58 | 271709 5 | | 1 | | | | "O" ring |
| | NSS | | | 1 | 1 | | "O" ring |
| 59 | *273212 4 | | 1 | 1 | 1 | | Seal & retainer kit |
| 60 | 458411 9 | | 1 | 1 | 1 | | Nut, hex. castle |
| 61 | 458410 7 | | 1 | 1 | 1 | | Cotter pin |
| 62 | 458409 4 | | 1 | 1 | 1 | | Woodruff key |
| 63 | 188542 3 | | 1 | 1 | 1 | | Ring |
| 64 | 188546 7 | | 1 | 1 | 1 | | Bearing plate |
| 65 | 188547 9 | | 1 | 1 | 1 | | Pilot, Bearing plate |
| 66 | 188548 1 | | 1 | 1 | 1 | | Retaining ring |
| 67 | 188549 3 | | 1 | 1 | 1 | | Spring retainer |
| 68 | 188550 6 | | 1 | 1 | 1 | | Spring guide |
| 69 | 916887 1 | | 1 | 1 | 1 | | Spring |
| 70 | 188552 0 | | 1 | 1 | 1 | | Spring seat |
| 71 | 277072 0 | | 6 | 6 | 6 | | Tension spring |
| 72 | 165186 6 | | 1 | 1 | 1 | | Dowel pin |
| 73 | 188555 6 | | 1 | 1 | 1 | | Cover |
| 74 | 188557 0 | | 1 | 1 | 1 | | Slipper retainer |
| 75 | 458383 8 | | 9 | 9 | 9 | | Piston assembly |

* NOTE: These items are sold as complete assemblies. The component parts for these assemblies are not available separately.

GROUP
43

HYDROSTATIC LINES
 TUYAUTERIE:HYDROSTATIQUE
 HYDROSTATIK LEITUNGEN
 TUBAZIONI IDROSTATICHE
 LEIDING HYDROSTATIEK

| Fig. | Order Ref. | CD | 1 8 0 0 | 1 9 0 0 | 2 2 0 0 | Code | Description |
|------|------------|----|------------------|------------------|------------------|------|--|
| 38 | 579058 5 | | 1 | 1 | 1 | | Hose, High pressure |
| 39 | 612242 8 | | 2 | 2 | 2 | | "T" Connector (Incl. fig. 28) |
| 40 | 781151 9 | | 4 | 4 | 4 | | "O" Ring |
| 41 | 144163 3 | | 8 | 8 | 8 | | Flange half, Split |
| 42 | 280165 2 | | 20 | 20 | 20 | | Hex. cap screw |
| 43 | 714313 2 | | 1 | 1 | 1 | | Tube, High pressure |
| 44 | 714311 8 | | 1 | 1 | 1 | | Tube, High pressure |
| 45 | 714314 4 | | 4 | 4 | 4 | | Bracket |
| 46 | 714308 1 | | 16 | 16 | 16 | | Flange half, Split |
| 47 | 048001 4 | | 8 | 8 | 8 | | "O" Ring |
| 48 | 718022 9 | | 4 | 4 | 4 | | Plate |
| 49 | 378244 7 | | 16 | 16 | 16 | | Washer |
| 50 | 084945 8 | | 16 | 16 | 16 | | Hex. nut |
| 51 | 140046 1 | | 16 | 16 | 16 | 104 | Tooth lockwasher |
| | 081547 1 | | 16 | 16 | 16 | 105 | Tooth lockwasher |
| 52 | 087855 0 | | 16 | 16 | 16 | | Hex. cap screw |
| 53 | 601628 3 | | 2 | 2 | 2 | | Hose, High pressure |
| 54 | 129200 4 | | 1 | 1 | 1 | | Cap |
| 55 | 631604 9 | | 1 | 1 | 1 | | Tube, High pressure |
| 56 | 631605 1 | | 1 | 1 | 1 | | Tube, High pressure |
| 57 | 457462 5 | | 1 | 1 | 1 | | Connector (Incl. fig. 28) |
| 58 | 353098 7 | | 1 | 1 | 1 | | Male elbow 90° |
| 59 | 601635 8 | | 1 | 1 | 1 | | Hose, High pressure |
| 60 | 607740 7 | | 1 | 1 | 1 | | Male elbow 90° |
| 61 | 262161 2 | | 1 | 1 | 1 | | Connector |
| 62 | 144129 1 | | 1 | 1 | 1 | | Filter, Hydrostatic oil (Incl. all items below) |
| | | | x | x | x | | 1x181212 3 Filter element |
| | | | x | x | x | | 2x181211 1 Seal, Filter element |
| | | | x | x | x | | 1x165238 7 Backup washer |
| | | | x | x | x | | 1x165239 9 Conical spring |
| | | | x | x | x | | 1x165240 2 Gasket, Centre post |
| | | | x | x | x | | 1x165241 4 Housing seal („O" Ring) |
| 63 | 353100 4 | | 1 | 1 | 1 | | Adapter |
| 64 | 391145 4 | | 1 | 1 | 1 | | Male elbow 90° (Incl. figs: 15 and 16) |
| 65 | 451458 0 | | 1 | 1 | 1 | | Bracket |
| 66 | 322358 2 | | 13 | 13 | 13 | | Tooth lockwasher |
| 67 | 087872 6 | | 2 | 2 | 2 | | Hex. cap screw |
| 68 | 100015 8 | | 11 | 11 | 11 | | Hex. nut |
| 69 | 322358 2 | | 10 | 10 | 10 | | Tooth lockwasher |
| 70 | 378243 5 | | 6 | 6 | 6 | | Plain washer |
| 71 | 120161 1 | | 9 | 9 | 9 | | Hex. cap screw |
| 72 | 451197 6 | | 1 | 1 | 1 | | Oil reservoir assy (For breakdown see group 46A) |
| 73 | 750208 3 | | 1 | 1 | 1 | | Decal |
| 74 | 263239 8 | | 2 | 1 | 1 | | Hose high pressure |
| 75 | 368582 1 | | 1 | | | | Clamp |

GROUP
46

POWERED REAR AXLE
 ESSIEU ARRIERE MOTEUR
 HYDROSTATISCHER HINTERANTRIEB
 TRAZIONE POSTERIORE
 AANGEDREVEN STUURBRUG

| Fig. | Order Ref. | CD | 1 8 0 0 | 1 9 0 0 | 2 2 0 0 | Code | Description | |
|------|-----------------|----|------------------|------------------|------------------|------|--|-----|
| 19 | 630213 9 | | 2 | 2 | 2 | | Motor assy, Wheel (For breakdown see group 51) | 2.7 |
| | | | x | x | x | | 12x088062 0 Cap screw | |
| | | | x | x | x | | 12x140048 5 Lockwasher | |
| 20 | 575006 2 | | 2 | | | | Wheel rim (for 13.5 x 16.1 tyre—6 ply) | |
| | 750987 3 | | | 2 | 2 | | Wheel rim (for 14.9 x 24—10 ply) | |
| 21 | 179267 4 | | 2 | | | | Tyre 13.5 x 16.1—6 ply | |
| | 454517 9 | | | 2 | 2 | | Tyre 14.9 x 24—10 ply | |
| 22 | 395448 0 | | | 2 | 2 | | Valve (For tubeless type) | |
| | 702327 7 | | | 2 | 2 | | Valve (For tube type) | |
| 23 | 088130 5 | | 16 | 16 | 18 | | Locknut | |
| 24 | 619822 5 | | 1 | 1 | 1 | 104 | Support w/a | |
| | 9506236 4 | | 1 | 1 | 1 | 105 | Support w/a | |
| 25 | 692622 0 | | 1 | 1 | 1 | | Ball joint | 0.5 |
| | | | x | x | x | | 1x080719 5 Grease fitting | |
| | | | x | x | x | | 1x088886 6 Slotted nut | |
| | | | x | x | x | | 1x130004 1 Cotter pin | |
| 26 | 331209 8 | | 3 | 3 | 3 | | Nut, hex. jam | |
| 27 | 619821 3 | | 1 | 1 | 1 | | Tube w/a | |
| 28 | 593480 8 | | 1 | 1 | 1 | | Cylinder assy, Steering hydraulic (For breakdown see group 49) | 1.2 |
| 29 | 692623 2 | | 1 | 1 | 1 | | Ball joint | |
| | | | x | x | x | | 1x080719 5 Grease fitting | |
| | | | x | x | x | | 1x088886 6 Hex. slotted nut | |
| | | | x | x | x | | 1x130004 1 Cotter pin | |
| 30 | 087315 6 | | 1 | 1 | 1 | | Nut, hex. jam | |
| 31 | 638001 8 | | 2 | 2 | 2 | | Ball joint | |
| | | | x | x | x | | 2x080710 7 Grease fitting | |
| | | | x | x | x | | 2x280567 4 Hex. slotted nut | |
| | | | x | x | x | | 2x130004 1 Cotter pin | |
| 32 | 027697 2 | AR | AR | AR | AR | | Washer, special | |
| 33 | 612368 4 | | 2 | 2 | 2 | | Track rod assy | |
| | | | x | x | x | | 4x088444 0 Cap screw, hex head | |
| | | | x | x | x | | 4x084040 0 Locknut | |
| 34 | 255935 4 | | 8 | 8 | 8 | | Clamp | |
| 35 | 612370 9 | | 1 | 1 | 1 | | Tube, Track rod | |
| 36 | 621200 1 | | 2 | 2 | 2 | | Spacer (Required when using widest axle position) | |
| 37 | 603409 1 | | 2 | 2 | 2 | | Inner tube (for 12.4 x 24 tyre) | |
| 38 | 921741 0 | | | 2 | 2 | | Lath | |
| 39 | 918616 0 | | | 2 | 2 | | Lath | |
| 40 | 239859 2 | | | 4 | 4 | | Clamp | |
| 41 | 162882 9 | | 2 | 2 | 2 | 105 | Connector fitting assy (Incl. fig. 42) | |
| 42 | 128826 9 | | 2 | 2 | 2 | 105 | "O" ring | |

GROUP
48

HYDROSTATIC MOTOR
MOTEUR HYDROSTATIQUE
HYDROSTATIK MOTOR
MOTORE IDROSTATICO
HYDROSTATIEK MOTOR

| Fig. | Order Ref. | CD | 1 8 0 0 | 1 9 0 0 | 2 2 0 0 | Code | Description |
|------|------------|----|------------------|------------------|------------------|------|---------------------|
| 1 | 9161346 | | 1 | 1 | 1 | | Block kit, Cylinder |
| 2 | 9161358 | | 1 | 1 | 1 | | Motor shaft |
| 3 | 9161360 | | 1 | 1 | 1 | | End cap, Motor |
| 4 | 9161396 | | 1 | 1 | 1 | | Pin |
| 5 | 9161411 | | 1 | 1 | 1 | | Gasket |
| 6 | 9161423 | | 1 | 1 | 1 | | Bearing kit |
| 7 | 9161435 | | 1 | 1 | 1 | | Valve plate |
| 8 | 9161447 | | 1 | 1 | 1 | | Thrust plate |
| 9 | 9161459 | | 4 | 4 | 4 | | Hex. cap screw |
| 10 | 9161485 | | 1 | 1 | 1 | | Fixed housing |
| 11 | 9161497 | | 1 | 1 | 1 | | Bearing kit |
| 12 | 9161500 | | 1 | 1 | 1 | | Washer |
| 13 | 9161512 | | 1 | 1 | 1 | | Circlip |
| 14 | 9161524 | | 1 | 1 | 1 | | Seal |
| 15 | 9161536 | | 1 | 1 | 1 | | Circlip |
| 16 | 9161473 | | 1 | 1 | 1 | | "O" Ring |
| 17 | 9161461 | | 1 | 1 | 1 | | Plug |
| 18 | 0873637 | | 4 | 4 | 4 | | Washer |
| 19 | 9161548 | | 2 | 2 | 2 | | Pin |
| 20 | 9161409 | | 1 | 1 | 1 | | Shim plate |
| 21 | 0498566 | | 1 | 1 | 1 | | "O" Ring |
| 22 | 9161372 | | 1 | 1 | 1 | | Washer |
| 23 | 9161384 | | 1 | 1 | 1 | | Valve, By pass |

GROUP

52

ASSEMBLY PARTS FOR DAF DHT 825 ENGINE
 PIECES D'ASSEMBLAGE POUR MOTEUR DAF DHT 825
 ANBAUTEILE FÜR DAF MOTOR DHT 825
 RICAMBI PER ASSEMBLAGGIO MOTORE DAF DHT 825
 AANBOUWDELEN DAF MOTOR DHT 825

FOR 1800 ONLY

| Fig. | Order Ref. | CD | 1 | 1 | 2 | Code | Description |
|------|------------|----|---|---|-----|------|---|
| | | | 8 | 9 | 2 | | |
| | | | 0 | 0 | 0 | | |
| 25 | 453978 | 4 | 1 | | | | Tube w/a, Air inlet |
| 26 | 452870 | 5 | 1 | | | | Rubber hose |
| 27 | 382527 | 3 | 2 | | | | Hose clamp |
| 28 | 419950 | 4 | 2 | | | | Hose clamp |
| 29 | 437808 | 5 | 1 | | | | Rubber elbow |
| 30 | 452131 | 9 | 1 | | | | Exhaust pipe w/a |
| | | | x | | | | 4x120081 1 Hex. cap screw |
| | | | x | | | | 4x140046 1 Tooth lockwasher |
| | | | x | | | | 4x100018 4 Hex. nut |
| 31 | 431855 | 8 | 2 | | | | Clamp |
| | | | x | | | | 2x120072 2 Hex. cap screw M10x70mm |
| | | | x | | | | 4x378244 7 Washer |
| | | | x | | | | 2x140042 3 Tooth lockwasher |
| | | | x | | | | 2x100016 0 Hex. nut |
| 32 | 452095 | 1 | 2 | | | | Clamp |
| | | | x | | | | 2x100070 4 Hex. cap screw |
| | | | x | | | | 2x140045 9 Tooth lockwasher |
| | | | x | | | | 2x100018 4 Hex. nut |
| 33 | - | | 1 | | | | Silencer w/a (See Daf engine Parts Catalogue) |
| 34 | 452175 | 1 | 1 | | | | Exhaust pipe w/a |
| 35 | 603022 | 1 | 2 | | | | Clamp |
| | | | x | | | | 2x120062 1 Hex. cap screw |
| | | | x | | | | 6x378243 5 Washer |
| | | | x | | | | 2x322358 2 Tooth lockwasher |
| | | | x | | | | 2x100015 8 Hex. nut |
| 36 | 453155 | 0 | 2 | | | | Spacer bushing |
| 37 | 452093 | 7 | 1 | | | | Bracket w/a |
| 38 | 458647 | 8 | 1 | | | | Guard |
| 39 | 9507873 | 5 | 1 | | 103 | | Non- return valve |
| 40 | 9506343 | 1 | 2 | | 103 | | Spring plate |
| 41 | 130065 | 0 | 4 | | 103 | | Rivet |
| 42 | 321803 | 6 | 3 | | 103 | | Screw M4x10mm |
| 43 | 322355 | 6 | 3 | | 103 | | Lockwasher Ø 4mm |
| 44 | 9507874 | 7 | 1 | | 103 | | Adapter w/a |

GROUP
55A

ASSEMBLY PARTS FOR DAF DHT 825 ENGINE
 PIECES D'ASSEMBLAGE POUR MOTEUR DAF DHT 825
 ANBAUTEILE FÜR DAF MOTOR DHT 825
 RICAMBI PER ASSEMBLAGGIO MOTORE DAF DHT 825
 AANBOUWDELEN DAF MOTOR DHT 825

FOR 1800 ONLY

| Fig. | Order Ref. | CD | 1 8 0 0 | 1 9 0 0 | 2 2 0 0 | Code | Description |
|------|------------|----|------------------|------------------|------------------|------|----------------------|
| 35 | NS | | 2 | | | | Battery 12V, 90A |
| 36 | 301831 | 1 | 1 | | | | Bracket |
| 37 | 417412 | 2 | 1 | | | | Clamp |
| 38 | 239859 | 2 | 1 | | | | Clamp |
| | 418407 | 2 | 1 | | | | Clamp |
| 39 | 913743 | 4 | 1 | | 104 | | Wiring loom (engine) |
| | 950724 | 7 | 1 | | 105 | | Wiring loom (engine) |
| 40 | 120258 | 6 | 1 | | 103 | | Hollow screw |
| 41 | 220122 | 0 | 2 | | 103 | | Seal washer |
| 42 | 454722 | 4 | 1 | | 103 | | Adapter fitting |
| 43 | 220026 | 6 | 1 | | 103 | | Seal washer |
| 44 | 326078 | 2 | 1 | | 103 | | Banjo connector |
| 45 | 326082 | 1 | 2 | | 103 | | Hose clamp |
| 46 | 326081 | 9 | 1 | | 103 | | Hose |
| 47 | 326079 | 4 | 1 | | 103 | | Adapter fitting |
| 48 | 150060 | 3 | 1 | | 103 | | Plug |

GROUP
56A

ASSEMBLY PARTS FOR DAF DHT 825 ENGINE
 PIECES D'ASSAMBLAGE POUR MOTEUR DAF DHT 825
 ANBAUTEILE FÜR DAF MOTOR DHT 825
 RICAMBI PER ASSEMBLAGGIO MOTORE DAF DHT 825
 AANBOUWDELEN DAF MOTOR DHT 825

FOR 1800 ONLY

| Fig. | Order Ref. | CD | 1 8 0 0 | 1 9 0 0 | 2 2 0 0 | Code | Description |
|------|------------|----|------------------|------------------|------------------|------|------------------------------|
| 48 | 451498 | 4 | 1 | | | | Cover |
| | | | x | | | | 15x120099 8 Hex. cap screw |
| | | | x | | | | 15x322357 0 Tooth lockwasher |
| | | | x | | | | 15x140015 6 Washer |
| 49 | 918027 | 1 | 2 | | | | Spring |
| 50 | 451512 | 5 | 2 | | | | Hook |
| 51 | 130004 | 1 | 2 | | | | Cotter pin |
| 52 | 458654 | 3 | 2 | | | | Cap |
| 53 | 630911 | 9 | 1 | | | | Cover |
| | | | x | | | | 2x300383 9 Hex. cap screw |
| | | | x | | | | 2x140045 9 Tooth lockwasher |
| | | | x | | | | 2x100016 0 Hex. nut |
| 54 | 457875 | 2 | 1 | | | | Bracket w/a |
| | | | x | | | | 4x100018 4 Hex. nut |
| | | | x | | | | 2x378244 7 Washer |
| | | | x | | | | 2x140045 9 Tooth lockwasher |
| | | | x | | | | 2x100016 0 Hex. nut |
| 55 | 458627 | 6 | 1 | | | 103 | Ventilator, alternator |
| 56 | 140048 | 5 | 1 | | | 103 | Lockwasher Ø 16mm |
| 57 | 364164 | 1 | 1 | | | 103 | Hex. nut M16x1.5 |

GROUP
57A

GUARDING ENGINE
 PROTECTION POUR MOTEUR
 SCHUTZBLECHE FÜR MOTOR
 PROTEZIONE DEL MOTORE
 AFSCHERMING MOTOR

FOR 1800 ONLY

| Fig. | Order Ref. | CD | 1 8 0 0 | 1 9 0 0 | 2 2 0 0 | Code | Description |
|------|------------|----|------------------|------------------|------------------|------|-----------------------------|
| 31 | 412686 6 | | 2 | | | | Cotter pin |
| 32 | 378247 3 | | 4 | | | | Washer |
| 33 | 451235 8 | | 1 | | | | Guard |
| 34 | 575309 4 | | 2 | | | | Spring clip |
| | | | x | | | | 2x120010 2 Machine screw |
| | | | x | | | | 2x322356 8 Tooth lockwasher |
| | | | x | | | | 2x140014 4 Plain washer |
| | | | x | | | | 2x100013 4 Hex. nut |
| 35 | 634120 6 | | 1 | | | | Hook |
| | | | x | | | | 1x450764 8 Spacer |
| | | | x | | | | 1x120161 1 Hex. cap screw |
| | | | x | | | | 1x140015 6 Washer |
| | | | x | | | | 1x322357 0 Tooth lockwasher |
| | | | x | | | | 1x100014 6 Hex. nut |
| 36 | 634121 8 | | 1 | | | | Guard door |
| | | | x | | | | 3x120013 8 Machine screw |
| | | | x | | | | 3x140015 6 Washer |
| | | | x | | | | 3x322357 0 Tooth lockwasher |
| | | | x | | | | 3x100014 6 Hex. nut |
| | | | x | | | | 1x457198 4 Support |
| 37 | 457291 2 | | 1 | | | | Channel |
| | | | x | | | | 2x120104 1 Hex. cap screw |
| | | | x | | | | 2x322358 2 Tooth lockwasher |
| | | | x | | | | 2x378243 3 Washer |
| 38 | 451241 1 | | 1 | | | | Guard w/a |
| 39 | 088434 9 | | 9 | | | | Hex. cap screw |
| 40 | 140045 9 | | 9 | | | | Washer |
| 41 | 378244 7 | | 9 | | | | Tooth lockwasher |
| 42 | 417115 2 | | 2 | | | | Protection strip |
| 43 | 600427 6 | | 3 | | | | Clamp |
| 44 | 451243 5 | | 1 | | | | Support |
| 45 | 451242 3 | | 1 | | | | Bracket |
| 46 | 630644 2 | | 2 | | | | Bushing |
| 47 | 120110 4 | | 5 | | | | Hex. cap screw |
| 48 | 100016 0 | | 5 | | | | Hex. nut |
| 49 | 453394 6 | | 1 | | | | Guide |
| 50 | 453391 0 | | 1 | | | | Support |
| 51 | 453165 1 | | 1 | | | | Handle |
| 52 | 120106 5 | | 1 | | | | Hex. cap screw |
| 53 | 453162 5 | | 1 | | | | Bracket |
| 54 | 453161 3 | | 1 | | | | Bracket |
| 55 | 453159 8 | | 1 | | | | Pin |
| 56 | 395710 7 | | 1 | | | | Spring |
| 57 | 100067 7 | | 2 | | | | Hex. lock nut |

GROUP
58A

HYDRAULIC EQUIPMENT
EQUIPEMENT HYDRAULIQUE
HYDRAULISCHE AUSRÜSTUNG
IMPIANTO IDRAULICO
HYDRAULISCHE UITRUSTING

| Fig. | Order Ref. | CD | 1 8 0 0 | 1 9 0 0 | 2 2 0 0 | Code | Description | |
|------|------------|----|------------------|------------------|------------------|------|--|-----|
| 34 | + | | 1 | 1 | 1 | | Tube assembly, 19 mm OD | |
| 35 | 219606 3 | | 1 | 1 | 1 | | Cap | |
| 36 | 219604 9 | | 1 | 1 | 1 | | Elbow fitting 90° (Incl. fig. 9) | |
| 37 | 768468 3 | | 1 | 1 | 1 | 104 | Valve assy, Control (For breakdown see group 62) | 2.3 |
| | 9610633 3 | | 1 | 1 | 1 | 105 | Valve assy, Control (For breakdown see group 62) | |
| 38 | 219604 9 | | 1 | 1 | 1 | | "T" fitting assy, 1 1/16" - 12 (Incl. fig. 9) | |
| 39 | 610473 5 | | 1 | 1 | 1 | | Hose assembly, 19 x 330 mm (3/4" ID x 13") | |
| 40 | 430357 1 | | 7 | 7 | 7 | | Clamp, double, 3/8" tube | |
| 41 | 433008 5 | | 7 | 7 | 7 | | Clamp, single, 3/8" tube | |
| | 433007 3 | | 3 | 3 | 3 | | Clamp, single, 3/4" tube | |
| 42 | 448602 2 | | 1 | 1 | 1 | | Connector fitting, male | |
| 43 | 448601 0 | | 1 | 1 | 1 | | Connector fitting, male | |
| 44 | 265977 4 | | 1 | 1 | 1 | | Ferrule | |
| 45 | 163594 9 | | 1 | 1 | 1 | | Nut | |
| 46 | 574342 3 | | 1 | 1 | 1 | | Cap | |
| 47 | 446805 0 | | 1 | 1 | 1 | | Connector fitting, straight | |
| | | | x | x | x | | 1x335170 9 Nut | |
| | | | x | x | x | | 1x335168 4 Ferrule | |
| 48 | 433101 3 | | 1 | 1 | 1 | 102 | Clamp bracket, single | |
| | 431941 1 | | 7 | 7 | 7 | | Clamp bracket, double | |
| 49 | 433100 1 | | 1 | 1 | 1 | | Clamp bracket | |
| 50 | + | | 1 | 1 | 1 | | Tube assembly, Ø 10 mm | |
| | | | x | x | x | | 2x100042 5 Nut | |
| | | | x | x | x | | 2x150014 6 Ferrule | |
| 51 | 448604 6 | | 1 | 1 | 1 | | Connector fitting, female | |
| 52 | 621760 7 | | 1 | 1 | 1 | | "T" fitting | |
| 53 | 574342 3 | | 2 | 2 | 2 | | Cap | |
| 54 | 610476 1 | | 1 | 1 | 1 | | Hose assembly | 0.6 |
| 55 | + | | 1 | 1 | 1 | | Tube assembly 9.5 mm | |
| | | | x | x | x | | 2x100042 5 Nut | |
| | | | x | x | x | | 2x150014 6 Ferrule | |
| 56 | 150017 2 | | 2 | | | | Connector fitting, straight | |
| | 454364 4 | | | 2 | 2 | | Connector fitting, straight | |
| | | | x | x | x | | 2x514929 5 Ferrule | |
| | | | x | x | x | | 2x514926 9 Nut | |
| 57 | + | | 1 | 1 | 1 | | Tube assembly | |
| 58 | + | | 1 | 1 | 1 | | Tube assembly | |
| 59 | 162882 9 | | 1 | 1 | 1 | | Connector fitting assy, straight (Incl. fig. 75) | |
| 60 | 711051 3 | | 4 | | | | Clamp 19 mm | |
| | 239859 2 | | | 4 | 4 | | Clamp 19 mm | |
| 61 | 700514 2 | | 3 | 3 | 3 | | Clamp 24 mm | |
| 62 | 431941 1 | | 2 | 2 | 2 | | Clip | |

GROUP

60

CAB
 CABINE
 KABINE
 CABINA
 KABINE

| Fig. | Order Ref. | CD | 1 8 0 0 | 1 9 0 0 | 2 2 0 0 | Code | Description |
|------|-----------------|----|------------------|------------------|------------------|------|-------------------------------|
| 44 | 614322 0 | | 1 | 1 | 1 | | Hook, LH |
| 45 | 614320 6 | | 1 | 1 | 1 | | Hook, RH |
| 46 | 322357 0 | | 6 | 6 | 6 | | Tooth lockwasher |
| 47 | 100014 6 | | 6 | 6 | 6 | | Hex. nut |
| 48 | 618984 6 | | 1 | 1 | 1 | | Securing plate |
| 49 | 454566 2 | | 4 | 4 | 4 | | Screw |
| 50 | 378243 5 | | 4 | 4 | 4 | | Plain washer |
| 51 | 322358 2 | | 4 | 4 | 4 | | Tooth lockwasher |
| 52 | 100015 8 | | 4 | 4 | 4 | | Hex. nut |
| 53 | 613716 4 | | 1 | 1 | 1 | | Filler strip |
| 54 | 613715 2 | | 1 | 1 | 1 | | Molding, Glass setting |
| 55 | 436600 4 | | 2 | 2 | 2 | | Lath |
| 56 | 620020 8 | | 12 | 12 | 12 | | Cap nut |
| 57 | 353308 4 | | 12 | 12 | 12 | | Hex. locknut |
| 58 | 120055 6 | | 12 | 12 | 12 | | Hex. cap screw |
| 59 | 618976 9 | | 1 | 1 | 1 | | Hook, LH |
| 60 | 618977 1 | | 1 | 1 | 1 | | Cover, RH |
| 61 | 436585 0 | | 1 | 1 | 1 | | Securing plate |
| 62 | 135270 9 | | 7 | 7 | 7 | | Machine screw |
| 63 | 436584 8 | | 1 | 1 | 1 | | Lath |
| 64 | 130173 8 | | 2 | 2 | 2 | | Grommet |
| 65 | 436765 2 | | 1 | 1 | 1 | | Cab frame |
| 66 | 093913 2 | | 1 | 1 | 1 | | Seal (L = 3810 mm - 150") |
| 67 | 102043 9 | | 2 | 2 | 2 | | Grommet |
| 68 | 285412 2 | | 1 | 1 | 1 | | Plug |
| 69 | - | | 1 | 1 | 1 | | Wiper blade (See group 70) |
| 70 | 421030 8 | | 1 | 1 | 1 | | Flood light |
| | | | x | x | x | | 1x199816 3 Sealed beam |
| | | | x | x | x | | 1x080679 9 Lockwasher |
| | | | x | x | x | | 1x084946 0 Hex. nut |
| 71 | 513915 5 | | 1 | 1 | 1 | | Switch |
| 72 | 267901 7 | | 1 | 1 | 1 | | Bracket |
| 73 | 753149 0 | | 1 | 1 | 1 | | Coiled cord |
| 74 | 134578 0 | | 5 | 5 | 5 | | "J" clamp |
| 75 | 237910 0 | | 1 | 1 | 1 | | Clip |
| 76 | 328843 7 | | 1 | 1 | 1 | | Bushing |
| 77 | 627681 5 | | 1 | 1 | 1 | | Hook |
| 78 | 628046 0 | | 1 | 1 | 1 | 103 | Decal |
| 79 | 9505175 3 | | 1 | 1 | 1 | 103 | Support w/a |
| 80 | 336844 9 | | 1 | 1 | 1 | 103 | Warning light (Incl. fig. 87) |
| 81 | 682360 2 | | 1 | 1 | 1 | 103 | Rocker switch |
| 82 | 338844 1 | | 1 | 1 | 1 | 103 | Rubber grommet |
| 83 | 605024 7 | | 2 | 2 | 2 | 103 | Clamp |

GROUP
64

CAB INSULATION
 REVETEMENT POUR CABINE
 BEKLEIDUNG FÜR KABINE
 RIVESTIMENTO PER CABINA
 ISOLATIEBEKLEDING KABINE

| Fig. | Order Ref. | CD | 1 8 0 0 | 1 9 0 0 | 2 2 0 0 | Code | Description |
|------|------------|----|------------------|------------------|------------------|------|----------------------------------|
| 1 | 753531 | 1 | 1 | 1 | 1 | | Padding, Sound insulation |
| 2 | 753527 | 2 | 1 | 1 | 1 | | Padding, Sound insulation |
| 3 | 753526 | 0 | 1 | 1 | 1 | | Gusset padding, Sound insulation |
| 4 | 614139 | 1 | 2 | 2 | 2 | | Molded strip |
| 5 | 753534 | 7 | 1 | 1 | 1 | | Roof padding, Sound insulation |
| 6 | 753528 | 4 | 1 | 1 | 1 | | Padding, Sound insulation |
| 7 | 753522 | 2 | 1 | 1 | 1 | | Padding, Sound insulation |
| 8 | 701040 | 8 | 1 | 1 | 1 | | Protection strip |
| 9 | 753529 | 6 | 1 | 1 | 1 | | Gusset padding, Sound insulation |
| 10 | 753535 | 9 | 1 | 1 | 1 | | Padding, Sound insulation |
| 11 | 753518 | 3 | 1 | 1 | 1 | | Side padding, Sound insulation |
| 12 | 753536 | 1 | 1 | 1 | 1 | | Rear padding, Sound insulation |
| 13 | 753517 | 1 | 1 | 1 | 1 | | Padding, Sound insulation |
| 14 | 614138 | 9 | 2 | 2 | 2 | | Molded strip |
| 15 | 753519 | 5 | 1 | 1 | 1 | | Padding, Sound insulation |
| 16 | 735520 | 8 | 1 | 1 | 1 | | Padding, Sound insulation |
| 17 | 719861 | 8 | 1 | 1 | 1 | | Retainer |
| 18 | 613953 | 6 | 1 | 1 | 1 | | Retainer |
| 19 | 120106 | 5 | 8 | 8 | 8 | | Hex cap screw |
| 20 | 436587 | 4 | 9 | 9 | 9 | | Bushing |
| 21 | 322358 | 2 | 8 | 8 | 8 | | Tooth lockwasher |
| 22 | 100015 | 8 | 20 | 20 | 20 | | Hex nut |
| 23 | 087657 | 0 | 1 | 1 | 1 | | Hex cap screw |
| 24 | 698566 | 5 | 1 | 1 | 1 | | Floor mat |
| 25 | 753530 | 9 | 1 | 1 | 1 | | Padding, Sound insulation |

GROUP

67

AIR CONDITIONER GROUP
 SYSTEME DE CLIMATISATION
 KLIMAAANLAGE
 SISTEMA DI CONDIZIONAMENTO D'ARIA
 AIR CONDITIONING

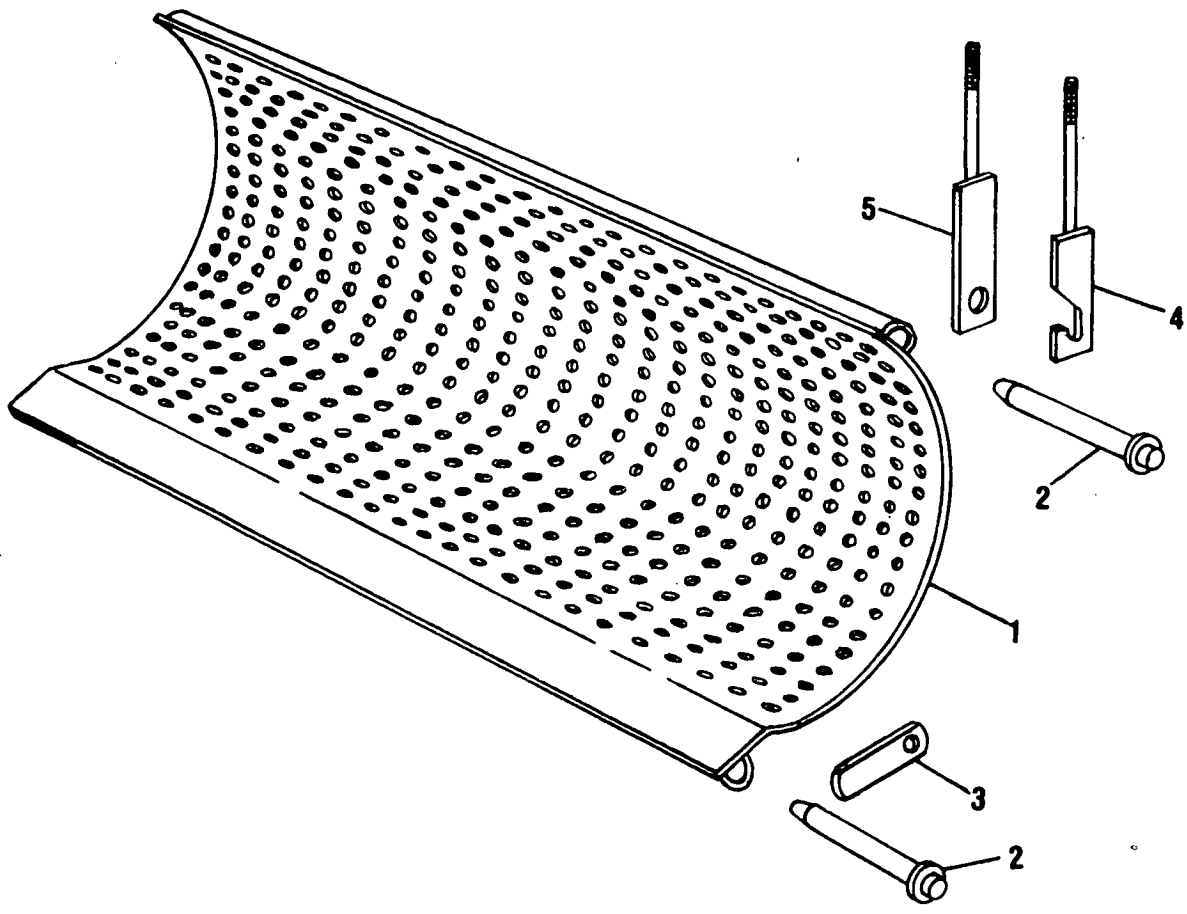
| Fig. | Order Ref. | CD | 1 8 0 0 | 1 9 0 0 | 2 2 0 0 | Code | Description | |
|------|------------|----|------------------|------------------|------------------|------|---------------------------|-----|
| 27 | 4174122 | | 6 | 2 | 2 | | Clamp | |
| 28 | 6351360 | | 1 | 1 | 1 | | Drain valve | |
| 29 | 2745551 | | 1 | 1 | 1 | | Valve core | |
| 30 | 2745664 | | 1 | 1 | 1 | | Switch, Low pressure | |
| 31 | 2745450 | | 1 | 1 | 1 | | Tub assembly | |
| 32 | 2745690 | | 1 | 1 | 1 | | Grommet | |
| 33 | 2745688 | | 1 | 1 | 1 | | Grommet | |
| 34 | 4174129 | | 2 | 2 | 2 | | Clamp | |
| 35 | 6004276 | AR | AR | AR | | | Clamp 25 x 50 mm | |
| 36 | 5168379 | AR | AR | AR | | | Grommet 22.2 mm | |
| | 2413077 | AR | AR | AR | | | Grommet 28.6 mm | |
| 37 | 7110513 | AR | AR | AR | | | Clamp 19 mm | |
| | 7005142 | AR | AR | AR | | | Clamp 19 mm | |
| | 0764030 | AR | AR | AR | | | Clamp 20.6 mm | |
| | 3685821 | AR | AR | AR | | | Clamp | |
| 38 | 9180120 | | | 1 | 1 | | Angle | |
| | | | | x | x | | 2x300383 9 Hex. cap screw | |
| | | | | x | x | | 2x140045 9 Lockwasher | |
| 39 | 6937312 | | 1 | 1 | 1 | | Solenoid | |
| 40 | 6813954 | | 1 | 1 | 1 | | Adapter | |
| | | | x | x | x | | 1x049856 6 "O" Ring | |
| 41 | 7681067 | | 1 | 1 | 1 | | Circuit breaker | |
| 42 | 9180029 | | 1 | 1 | 1 | | "V" pulley | |
| 43 | 3235979 | | 1 | 1 | 1 | | Cable strap | |
| 44 | 9506652 6 | | 1 | | | 103 | Wiring loom | 0.5 |
| 45 | 9506651 4 | | 1 | | | 103 | Wiring loom | 0.5 |

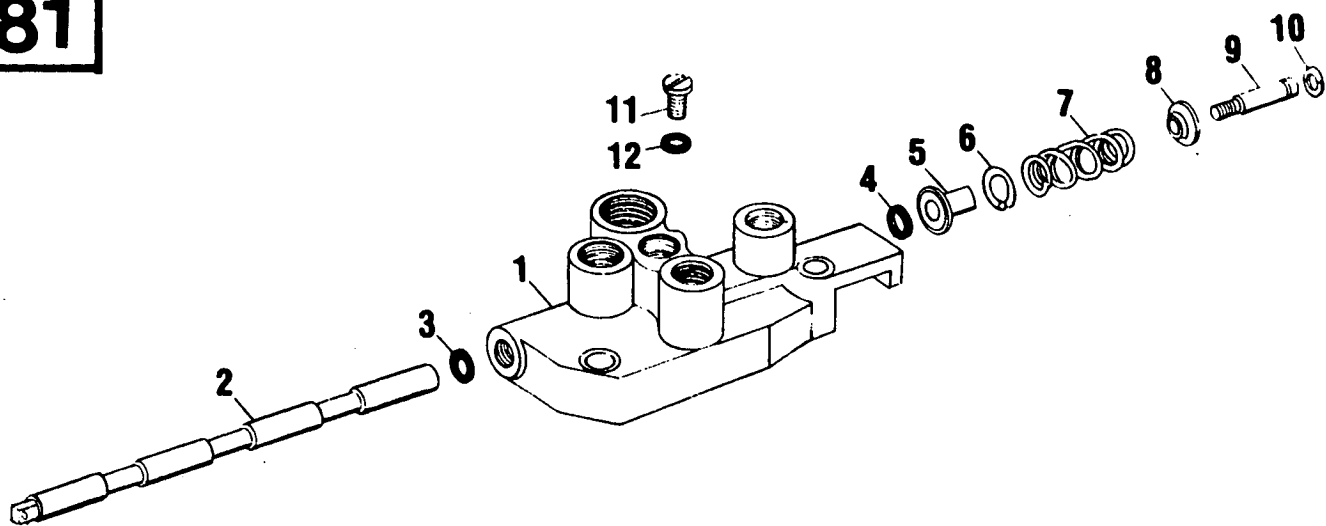
SUPPLEMENTARY EQUIPMENT FOR GERMANY AND ITALY
 EQUIPEMENT SUPPLEMENTAIRE POUR L'ALLEMAGNE ET ITALIE
 ZUSÄTZLICHE AUSRÜSTUNG FÜR DEUTSCHLAND UND ITALIEN
 EQUIPAGGIAMENTO SUPPLEMENTARE PER GERMANIA E ITALIA
 BIJKOMENDE UITRUSTING DUITSLAND EN ITALIË

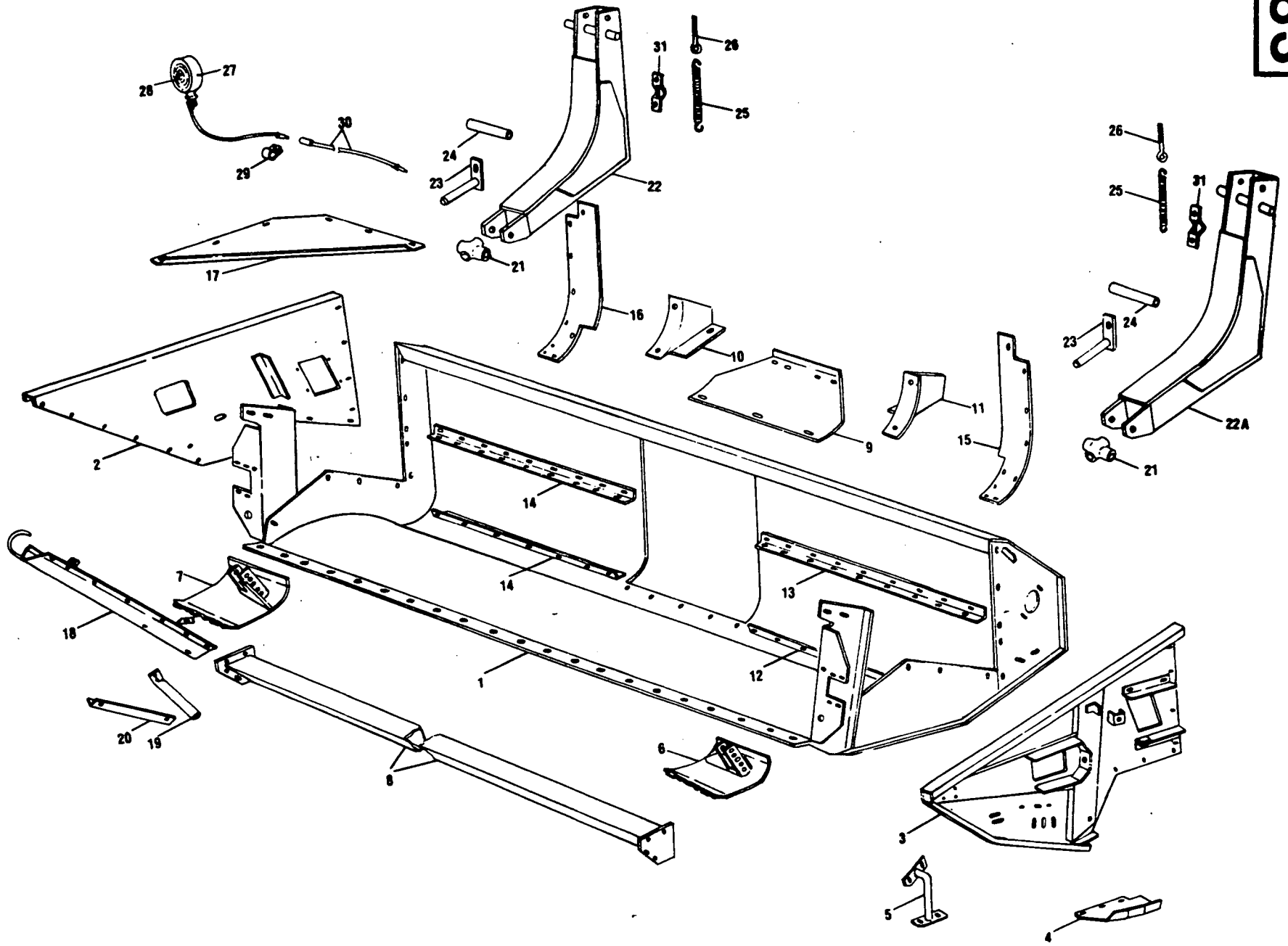
| Fig. | Order Ref. | CD | 1 8 0 0 | 1 9 0 0 | 2 2 0 0 | Code | Description |
|------|------------|----|------------------|------------------|------------------|------|--|
| 1 | 438326 | 4 | 1 | 1 | 1 | 102 | Decal |
| 2 | 435895 | 6 | 10 | 10 | 10 | | Reflector, yellow (Germany & Italy only) |
| 3 | 427633 | 2 | 2 | 2 | 2 | | Decal |
| 4 | 436748 | 6 | 2 | 2 | 2 | | Decal |
| 5 | 744545 | 9 | 1 | 1 | 1 | | Decal |
| 6 | 436487 | 2 | 1 | 1 | 1 | | Decal |
| 7 | 334663 | 3 | 1 | 1 | 1 | | Bushing |
| 8 | 445374 | 4 | 1 | 1 | 1 | | Protection strip |
| 9 | 411582 | 5 | 1 | 1 | 1 | | Wheel chock |
| 10 | 411583 | 7 | 1 | 1 | 1 | | Bracket, Wheel chock |
| 11 | 449927 | 1 | 1 | 1 | 1 | | Decal |
| 12 | 427886 | 7 | 2 | 2 | 2 | | Protection cap |
| 13 | 427321 | 1 | 4 | 4 | 4 | | Protection strip |
| 14 | 180033 | 2 | 2 | 2 | 2 | 105 | Spring |
| 15 | 180007 | 7 | 2 | 2 | 2 | 105 | Spring hook |
| 16 | 426965 | 4 | 1 | 1 | 1 | 105 | Protection bar, LH |
| 17 | 426966 | 6 | 1 | 1 | 1 | 105 | Protection bar, middle |
| 18 | 427819 | 6 | 1 | 1 | 1 | 105 | Protection bar, RH |
| 19 | 450141 | 8 | 1 | 1 | 1 | | Decal |
| 20 | 438117 | 1 | 1 | 1 | 1 | | Decal |
| 21 | 748057 | 8 | 2 | 2 | 2 | | Protection cap |
| 22 | 381014 | 5 | 6 | 6 | 6 | | Stud |
| 23 | 753762 | 0 | 2 | 2 | 2 | 102 | Bracket, RH & LH |
| | 753763 | 2 | 2 | 2 | 2 | 103 | Bracket, RH & LH |
| 24 | 372743 | 9 | 2 | 2 | 2 | | Warning plate, RH |
| | 372744 | 1 | 2 | 2 | 2 | | Warning plate, LH |
| 25 | 456194 | 5 | 1 | 1 | 1 | 102 | Support, Warning light (Germany only) |
| | 456194 | 5 | 1 | 1 | 1 | | Support, Warning light (Italy only) |
| 26 | 336844 | 9 | 1 | 1 | 1 | 102 | Warning light (Incl.fig.27) (Germany only) |
| | 336844 | 0 | 1 | 1 | 1 | | Warning light (Incl. fig.27) (Italy only) |
| 27 | 442227 | 0 | 1 | 1 | 1 | 102 | Bulb (Germany only) |
| | 442227 | 0 | 1 | 1 | 1 | | Bulb (Italy only) |
| 28 | 713030 | 1 | 1 | 1 | 1 | 102 | Switch (Germany only) |
| 29 | 456375 | 9 | 1 | 1 | 1 | 102 | Wiring loom (Germany only) |
| | 456195 | 7 | 1 | 1 | 1 | | Wiring loom (Italy only) |
| 30 | 338844 | 1 | 1 | 1 | 1 | 102 | Grommet (Germany only) |
| | 338844 | 1 | 1 | 1 | 1 | | Grommet (Italy only) |
| 31 | 432265 | 8 | 1 | 1 | 1 | | Sun visor |
| 32 | 750577 | 4 | 1 | 1 | 1 | | Angle |
| 33 | 449531 | 2 | 2 | 2 | 2 | | Light (Italy only) |
| 34 | 470017 | 9 | 2 | 2 | 2 | | Bulb (Italy only) |
| 35 | 544322 | 5 | 1 | 1 | 1 | | Decal (Italy only) |

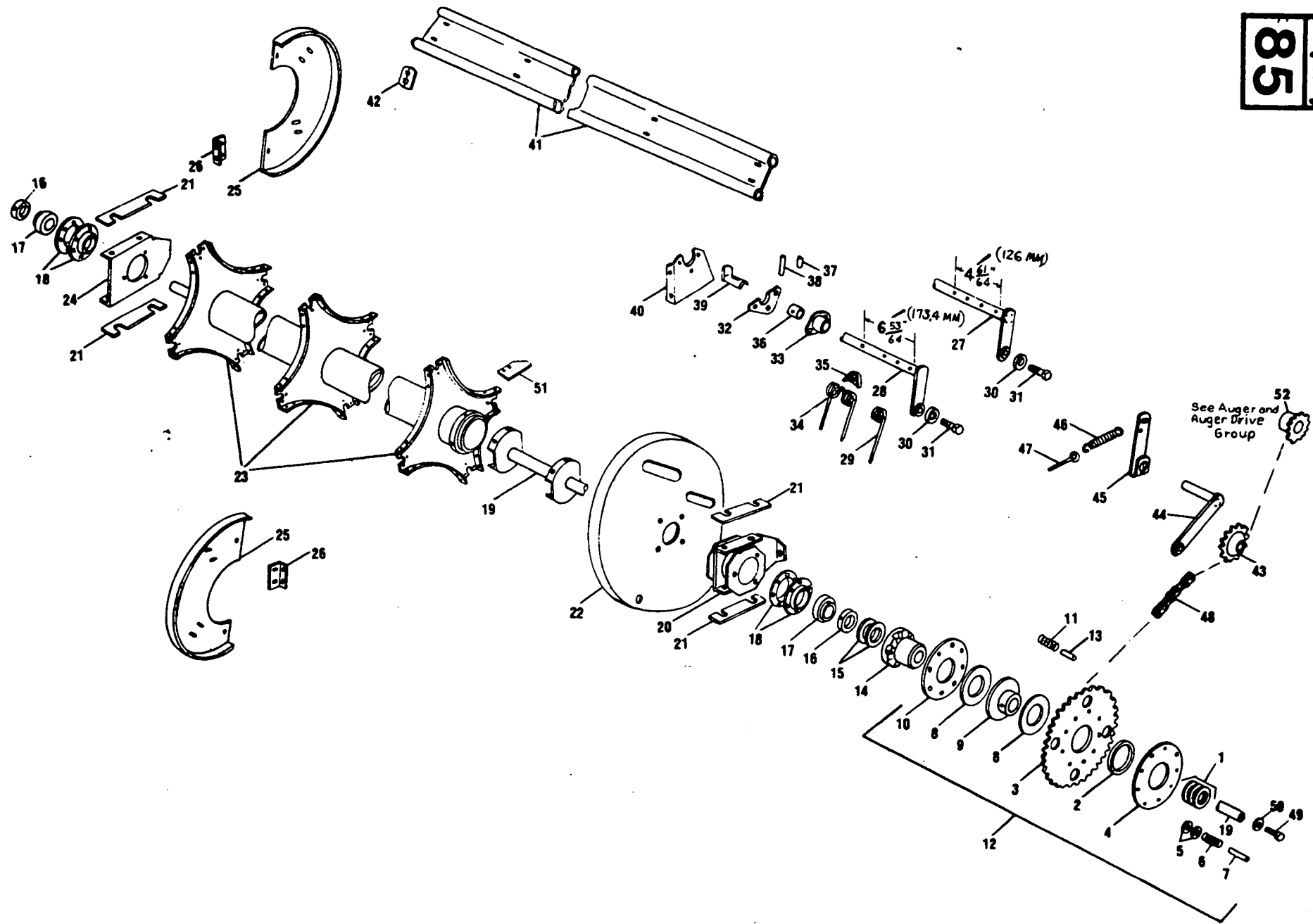
GROUP

73









KNIFE DRIVE
 COMMANDE DE LAME
 MESSERANTRIEB
 COMANDO LAMA
 MESAANDRIJVING

919S CUTTERBAR

| Fig. | Order Ref. | CD | 1 8 0 0 | 1 9 0 0 | 2 2 0 0 | Code | Description |
|------|------------|----|------------------|------------------|------------------|------|--|
| 27 | 603159 0 | | 1 | 1 | 1 | | P.t.o. guard assy, (Incl.figs. 16,18,19,20,24,25 and 26) |
| 28 | 713856 1 | | 1 | 1 | 1 | | Adapter |
| | | | x | x | x | | 2x088544 2 Cap screw, hex. head |
| | | | x | x | x | | 6x088444 0 Cap screw, hex. head |
| | | | x | x | x | | 2x080681 4 Lockwasher |
| | | | x | x | x | | 6x080680 2 Lockwasher |
| | | | x | x | x | | 2x084943 4 Hex. nut |
| | | | x | x | x | | 6x084944 6 Hex. nut |
| 29 | 709597 5 | | 1 | 1 | 1 | | Pulley |
| 30 | 628427 8 | | 2 | 2 | 2 | | Key, Gib head |
| 31 | 709997 3 | | 1 | 1 | 1 | | "V" belt set |
| 32 | 244436 3 | | 2 | 2 | 2 | | Wobble shaft |
| 33 | 046912 3 | | 4 | 4 | 4 | | Flangette |
| | | | x | x | x | | 8x087670 8 Cap screw, hex. head |
| | | | x | x | x | | 8x080679 9 Lockwasher |
| 34 | 049633 4 | | 2 | 2 | 2 | | Bearing |
| 35 | 045631 6 | | 2 | 2 | 2 | | Locking collar |
| | | | x | x | x | | 2x080425 2 Set screw, hex. socket |
| 36 | 166199 4 | | 2 | 2 | 2 | | Bearing |
| 37 | 166198 2 | | 2 | 2 | 2 | | Bearing housing |
| | | | x | x | x | | 6x088682 4 Carriage bolt |
| | | | x | x | x | | 6x080680 2 Lockwasher |
| 38 | 045876 4 | | 3 | 3 | 3 | | Locking collar |
| | | | x | x | x | | 2x080429 0 Set screw, hex. socket |
| 39 | 244497 1 | | 2 | 2 | 2 | | Coupling |
| | | | x | x | x | | 2x087405 7 Cap screw, hex. head |
| | | | x | x | x | | 2x280129 6 Hex. locknut |
| | | | x | x | x | | 2x087415 8 Grease fitting |
| 40 | 711532 3 | | 2 | 2 | 2 | | Cover w/a |
| | | | x | x | x | | 8x087872 6 Cap screw, hex.head |
| | | | x | x | x | | 8x080664 8 Plain washer |
| | | | x | x | x | | 8x080681 4 Lockwasher |
| 41 | 710949 5 | | 1 | 1 | 1 | | Shaft |
| 42 | 615256 0 | | 2 | 2 | 2 | | Guard |
| 43 | 182937 0 | | 2 | 2 | 2 | | Flangette |
| | | | x | x | x | | 3x088206 6 Cap screw, hex.head |
| | | | x | x | x | | 3x080680 2 Lockwasher |
| | | | x | x | x | | 3x084944 6 Hex.nut |
| 44 | 045882 7 | | 1 | 1 | 1 | | Bearing |
| 45 | 164375 6 | | 1 | 1 | 1 | | Flywheel |
| 46 | 135863 6 | | 2 | 2 | 2 | | Bearing cone & seal |
| 47 | 072062 2 | | 2 | 2 | 2 | | Bearing cup |

GROUP
87

FEED TABLE AUGER
 VIS D'ALIMENTATION
 EINZUGSSCHNECKE
 COCLEA ALIMENTAZIONE
 PENNENVIJZEL

919S CUTTERBAR

| Fig. | Order Ref. | CD | 1 8 0 0 | 1 9 0 0 | 2 2 0 0 | Code | Description |
|------|------------|----|------------------|------------------|------------------|------|---|
| * 35 | 614783 6 | | 1 | 1 | 1 | | Sprocket w/a, Reel drive, 19 Tooth, RC 50 |
| | 614782 4 | | 1 | 1 | 1 | | Sprocket w/a, Reel drive, 28 Tooth, RC 50 |
| | 630742 0 | | 1 | 1 | 1 | | Sprocket w/a, Reel drive, 24 Tooth, RC 50 |
| | | | x | x | x | | 1x087670 8 Cap screw, hex. head |
| | | | x | x | x | | 1x025939 4 Washer, special |
| | | | x | x | x | | 1x080679 9 Lockwasher |
| 36 | 675454 2 | | 1 | 1 | 1 | | Chain, Auger drive, RC 60H (69 Total pitches) |
| | 675455 4 | | 1 | 1 | 1 | | Chain extension, RC 60H (7 Pitches) |
| | | | x | x | x | | AR 025808 7 Roller link, RC 60 |
| | | | x | x | x | | AR 025812 6 Connector link, RC 60 |
| | | | x | x | x | | AR 025817 6 Offset link, RC 60 |
| | | | x | x | x | | AR 187609 0 Roller link, RC 60H |
| | | | x | x | x | | AR 179243 4 Connector link, RC 60H |
| | | | x | x | x | | AR 187608 8 Offset link, RC 60H |
| 37 | 175507 0 | | 2 | 2 | 2 | | Bearing cone |
| 38 | 603034 6 | | 2 | 2 | 2 | | Seal |
| 39 | 570275 6 | AR | AR | AR | AR | | Washer, special 0.178 mm (.007") thick |
| | 058630 9 | AR | AR | AR | AR | | Shim 0.759 mm (.0299") thick |
| | 033112 2 | AR | AR | AR | AR | | Washer, special 1.52 mm (.060") thick |
| | 267571 6 | AR | AR | AR | AR | | Washer, special 3.43 mm (.135") thick |
| 40 | 712263 3 | | 1 | 1 | 1 | | Clutch assy, Slip (Incl.figs. 41 to 49) |
| | | | x | x | x | | 1x280217 3 Cap screw, hex. head |
| | | | x | x | x | | 1x084057 5 Lockwasher |
| 41 | 709586 2 | | 1 | 1 | 1 | | Clutch hub |
| 42 | 127434 7 | | 2 | 2 | 2 | | Friction disc |
| 43 | 614679 5 | | 1 | 1 | 1 | | Sprocket & bushing assy, 42 Tooth (Incl.fig.44) |
| 44 | 049686 5 | | 1 | 1 | 1 | | Bushing |
| 45 | 049683 9 | | 1 | 1 | 1 | | Clutch plate |
| 46 | 121092 5 | | 1 | 1 | 1 | | Spring washer |
| 47 | 064053 3 | | 1 | 1 | 1 | | Washer, special, heat treated |
| 48 | 707372 7 | | 1 | 1 | 1 | | Bracket |
| 49 | 619539 4 | | 3 | 3 | 3 | | Tap bolt, drilled |
| | | | x | x | x | | 3x081860 3 Cotter pin (1/16" x 1") |
| 50 | 026558 7 | AR | AR | AR | AR | | Spacer, 1.52 mm (.060") |

* NOTE: The unused sprockets are held to the machine with 1 x 118839 4, Bolt,
 1 x 036803 0 Washer, 2 x 084944 6, Hex nut

GROUP

88

INDEX

| Part No. Numéro | Group Groupe | Fig. Rep. | Description | Part No. Numéro | Group Groupe | Fig. Rep. | Description |
|--------------------|-----------------|--------------|---------------------------|--------------------|-----------------|--------------|----------------------|
| 214389 6 | 48 | 17 | Tampon | 238093 7 | 30 | 18 | Fusible |
| 214445 6 | 13 | 19 | Rondelle spéciale | 238521 6 | 74 | 5 | Décalcomanie |
| 214542 2 | 27 | 16 | Jonc d'arrêt | 238657 3 | 18 | 14 | Corde |
| 214878 3 | 43 | 38 | Roulement | 239859 2 | 60 | 60 | Etrier |
| 215190 6 | 83 | 14 | Cornière racluse | 241150 4 | 26 | 24 | Rondelle d'appui |
| 216328 0 | 59 | 16 | Butée | 241307 7 | 69 | 18 | Passe fil |
| 216797 3 | 80 | 25 | Coudé | 241799 8 | 4 | 39 | Tige |
| 216822 8 | 50 | 33 | Union té | 242358 5 | 22 | 25 | Couvercle |
| 217114 8 | 82 | 2 | Soupape | 242716 5 | 13 | 46 | Guide |
| 217535 0 | 17 | 9 | Joint | 242789 8 | 40 | 10 | Levier |
| 218230 5 | 47 | 36 | Roulement | 243461 5 | 30 | 20 | Relais |
| 218409 4 | 79 | 12 | Crochet d'attelage | 243502 3 | 22 | 18 | Levier |
| 218734 3 | 64 | 37 | Tôle | 243614 0 | 84 | 13 | Chaîne |
| 219191 2 | 86 | 18 | Doigt | 244358 7 | 17 | 10 | Collier de serrage |
| 219603 7 | 80 | 15 | Raccord coudé | 244379 1 | 10 | 101 | Rondelle |
| 219604 9 | 60 | 36 | Raccord Té | 244389 2 | 58 | 13 | Contre-écrou |
| 219606 3 | 60 | 35 | Ecrou borgne | 244436 3 | 87 | 32 | Arbre oscillant |
| 220022 8 | 57A | 24 | Joint | 244457 7 | 3 | 6 | Attache |
| 220025 4 | 39 | 33 | Rondelle | 244497 1 | 87 | 39 | Manchon |
| 220026 6 | 56A | 43 | Bague de joint | 244613 9 | 13A | 39 | Ressort |
| 220049 4 | 60 | 85 | Bague | 244987 0 | 19 | 108 | Vis |
| 220050 7 | 39 | 29 | Rondelle | 245743 5 | 88 | 5 | Protecteur |
| 220122 0 | 56 | 22 | Joint | 246599 9 | 64 | 25 | Châssis portière |
| *221964 5 | 41 | 6 | Joint | 246627 0 | 64 | 4 | Support |
| 222785 6 | 18 | 13 | Enrouleur | 246635 7 | 65 | 32 | Support vitre |
| *222862 0 | 47 | 50 | Chambre à air | 246636 9 | 65 | 33 | Support vitre |
| 223316 4 | 13 | 28 | Bague | 246637 1 | 65 | 30 | Support vitre |
| 224189 4 | 13A | 84 | Flexible | 246638 3 | 65 | 40 | Support vitre |
| *224379 7 | 25A | 17 | Rondelle | 246639 5 | 65 | 19 | Support vitre |
| 226196 1 | 19 | 96 | Cheville | 247006 5 | 59 | 7 | Butée en caoutchouc |
| 226829 4 | 9 | 51 | Ressort | 247163 7 | 64 | 40 | Vitre poignée |
| *227491 8 | 13A | 80 | Buselure | 247267 7 | 23 | 21 | Ruban d'étanchéité |
| 228033 9 | 11 | 30 | Pignon | 247369 3 | 87 | 64 | Palier |
| 229709 3 | 84 | 14 | Charnière | 247372 0 | 87 | 60 | Palier |
| 232480 2 | 8 | 37 | Sonde température d'huile | 247387 1 | 83 | 7 | Patin |
| 233295 0 | 47 | 4 | Rondelle | 247388 3 | 83 | 6 | Patin |
| 233705 1 | 50 | 23 | Raccord mâle | 247396 0 | 87 | 77 | Levier |
| 234726 6 | 29 | 22 | Cheville | 247520 5 | 15 | 13 | Interrupteur |
| 235176 0 | 17 | 25 | Raccord double | 247780 5 | 84 | 5 | Ecrou |
| 235673 4 | 60 | 66 | Ecrou | 247823 7 | 85 | 41 | Latte |
| 235757 2 | 50 | 13 | Joint | 247992 4 | 83 | 4 | Tôle d'usure |
| 236535 3 | 82 | 15 | Joint | 248091 5 | 69A | 14 | Support |
| 236822 2 | 27 | 6 | Plaque entretoise | 248102 0 | 87 | 63 | Vis |
| 236898 1 | 19 | 68 | Mâchoire | 248134 7 | 87 | 63 | Cale d'épaisseur |
| 237166 1 | 86 | 20 | Doigt de lame | 248135 9 | 87 | 63 | Cale d'épaisseur |
| 237167 3 | 86 | 21 | Doigt de lame | 248346 6 | 51 | 4 | Cuvette de roulement |
| 237168 5 | 86 | 19 | Doigt de lame | 248347 8 | 51 | 3 | Cône de roulement |
| 237262 5 | 47 | 10 | Roulement | 248484 8 | 87 | 65 | Guide |
| 237910 0 | 64 | 75 | Etrier | 248578 7 | 60 | 4 | Crépine |
| 237911 1 | 20 | 7 | Collier de serrage | 248883 4 | 7 | 19 | Rondelle |

GROUP

99

INDEX

| Part No. Numéro | Group Groupe | Fig. Rep. | Description | Part No. Numéro | Group Groupe | Fig. Rep. | Description |
|--------------------|-----------------|--------------|------------------------|--------------------|-----------------|--------------|----------------------------------|
| 446926 6 | 24 | 56 | Charnière | 450051 7 | 30 | 28 | Transmetteur |
| 446927 8 | 24 | 39 | Plat | 450106 4 | 47 | 42 | Barre d'accouplement |
| 446928 0 | 24 | 40 | Couvercle | 450107 6 | 47 | 19 | Joint sphérique |
| 446930 5 | 24 | 65 | Cheville | 450112 7 | 47 | 1 | Essieu arrière |
| 446931 7 | 24 | 64 | Profil | 450121 6 | 65 | 8 | Support |
| 446932 9 | 24 | 63 | Tôle | 450141 8 | 73 | 19 | Décalcomanie |
| 446934 3 | 24 | 76 | Ressort | 450305 6 | 39 | 45 | Arbre de commande |
| 446935 5 | 24 | 75 | Capot | 450306 8 | 39 | 46 | Arbre de commande |
| 446936 7 | 24 | 74 | Rouleau | 450345 0 | 70 | 8 | Moteur d'essuie-glace |
| 446937 9 | 24 | 67 | Ressort | 450356 3 | 70 | 3 | Moteur d'essuie-glace |
| 446938 1 | 24 | 68 | Bouchon | 450511 3 | 1 | 8 | Courroie de la pompe hydraulique |
| 446940 6 | 24 | 80 | Rondelle en caoutchouc | 450534 1 | 56A | 25 | Support de moteur |
| 446942 0 | 24 | 73 | Support | 450538 9 | 56A | 9 | Support moteur |
| 446943 2 | 24 | 78 | Roulement | *450588 4 | 23 | 6 | Tapis |
| 446944 4 | 24 | 59 | Bouchon | 450658 3 | 56 | 33 | Pince |
| *447075 2 | 72 | 42 | Socle | 450675 9 | 29 | 63 | Support |
| 447341 7 | 19 | 37 | Accouplement | *450764 8 | 58A | 35 | Entretoise |
| 448404 2 | 24 | 81 | Support | 450823 4 | 4 | 47 | Plaque |
| 448434 5 | 24 | 8 | Tube | 450824 6 | 4 | 46 | Support |
| 448435 7 | 24 | 20 | Tôle | 450834 7 | 48 | 13 | Entretoise |
| 448436 9 | 24 | 16 | Profil | 450876 5 | 19 | 56 | Vis à oeil |
| 448437 1 | 24 | 7 | Boule | 450890 5 | 35 | 23 | Arbre |
| 448438 3 | 24 | 2 | Séparateur | 451007 5 | 50 | 42 | Protecteur |
| 448439 5 | 24 | 1 | Accoudoir | 451008 7 | 50 | 41 | Protecteur |
| 448440 8 | 24 | 19 | Profil | 451043 1 | 56A | 18 | Support de moteur |
| 448441 0 | 24 | 4 | Support | 451048 1 | 56A | 3 | Support de moteur |
| 448445 8 | 24 | 17 | Tôle | 451197 6 | 46 | 72 | Réservoir d'huile |
| 448517 1 | 24 | 18 | Coussin de siège | 451226 9 | 46 | 6 | Support |
| 448518 3 | 24 | 15 | Dos de siège | 451230 8 | 4 | 42 | Bague |
| 448548 6 | 59 | 20 | Plate-forme | 451235 8 | 58A | 33 | Protection |
| 448601 0 | 60 | 43 | Raccord mâle | 451237 2 | 58 | 7 | Protecteur |
| 448602 2 | 60 | 42 | Raccord mâle | 451241 1 | 58A | 38 | Protection |
| 448603 4 | 60 | 26 | Raccord double | 451242 3 | 58A | 45 | Support |
| 448604 6 | 60 | 51 | Raccord femelle | 451243 5 | 58A | 44 | Support |
| 448605 8 | 46 | 29 | Connecteur | 451247 3 | 54 | 19 | Support |
| 448718 7 | 19 | 16 | Anneau | 451248 5 | 54 | 20 | Support |
| 448757 9 | 47 | 51 | Pneu | 451250 0 | 58A | 58 | Cornière |
| 448878 5 | 34 | 5 | Buselure | 451254 8 | 58A | 65 | Cornière |
| 449071 6 | 72 | 13 | Support | 451265 1 | 48 | 4 | Rondelle |
| 449072 8 | 72 | 4 | Support-droit | 451440 3 | 46 | 1 | Support |
| 449531 2 | 73 | 33 | Feu | 451458 0 | 46 | 65 | Support |
| 449557 6 | 34 | 19 | Support | 451470 6 | 58A | 17 | Grille de radiateur |
| 449559 0 | 34 | 20 | Chape de réglage | 451498 4 | 57A | 48 | Couvercle |
| 449561 5 | 34 | 35 | Levier | 451500 1 | 57A | 41 | Plate |
| 449563 9 | 34 | 30 | Plaque-support | 451503 7 | 57A | 47 | Support |
| 449618 6 | 24 | 91 | Châssis de siège | 451512 5 | 57A | 50 | Crochet |
| 449627 5 | 24 | 90 | Siège | 451650 8 | 58A | 16 | Rondelle |
| 449644 1 | 60 | 65 | Ecrou | 451743 5 | 76 | 3 | Rondelle |
| 449927 1 | 73 | 11 | Décalcomanie | 451832 4 | 57A | 5 | Courroie d'alternateur |
| 449965 1 | 29 | 72 | Protecteur | 451923 7 | 57A | 3 | Support d'alternateur |

GROUP

99

CLICK HERE TO **DOWNLOAD** THE COMPLETE MANUAL

- Thank you very much for reading the preview of the manual.
- You can download the complete manual from: www.heydownloads.com by clicking the link below



- Please note: If there is no response to CLICKING the link, please download this PDF first and then click on it.

CLICK HERE TO **DOWNLOAD** THE COMPLETE MANUAL