

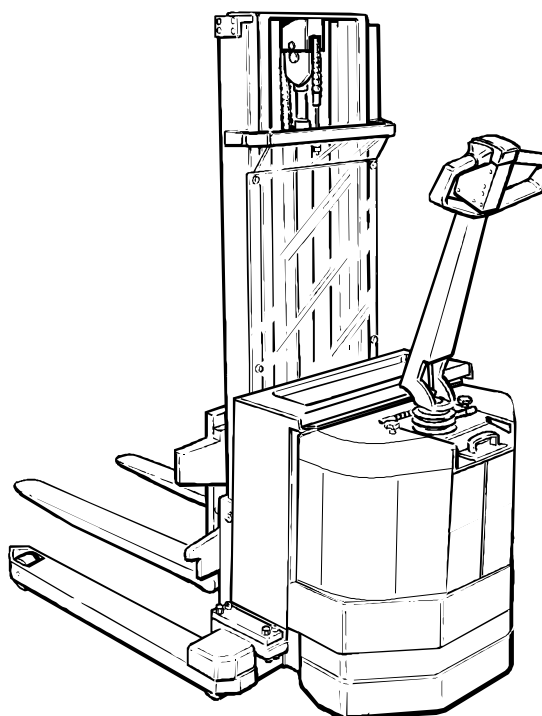
TOYOTA

Powered Pallet Stacker SM 12S

Valid for machine number: 412520AT -

Only valid for machine number:

| | | | | | | | |
|--|--|--|--|--|--|--|--|
| | | | | | | | |
|--|--|--|--|--|--|--|--|



Spare Parts Catalogue

Ordering number 182042

Date 2001-04-25/ESIJ

CLICK HERE TO **DOWNLOAD** THE COMPLETE MANUAL

- Thank you very much for reading the preview of the manual.
- You can download the complete manual from: www.heydownloads.com by clicking the link below



- Please note: If there is no response to CLICKING the link, please download this PDF first and then click on it.

CLICK HERE TO **DOWNLOAD** THE COMPLETE MANUAL

| Pos | Description | Pcs | Part No | Note |
|-----|--|-----|---------|---|
| 11 | Dust guard Damask; Gamaschen; Dispositif de protection | 1 | 147049 | Platform Plattform; Plattform; Plate-forme |
| 11 | Dust guard Damask; Gamaschen; Dispositif de protection | 1 | 169285 | |
| 12 | List List; Leiste; Bande | | 22420 | Without driver platform Utan förarplattform; Ohne Fahrerplattform; Sans plate forme du conducteur |
| 13 | Clamp Klamma; Rohrschelle; Collier | | 28192 | |
| 14 | Clamp Klamma; Rohrschelle; Collier | 1 | 138966 | |
| 15 | Conduit entry Kabelgenomföring; Kabeldurchgang; Traversée de câble | | 134334 | |
| 16 | Nut Mutter; Mutter; Ecrou | 2 | 20130 | |
| 17 | Screw Skruv; Schraube; Vis | 2 | 20044 | |
| 18 | Bracket Fäste; Halterung; Support | 1 | 181174 | |
| 19 | Screw Skruv; Schraube; Vis | 2 | 22337 | |
| 20 | Washer Bricka; Scheibe; Rondelle | 2 | 21394 | |
| 22 | Screw Skruv; Schraube; Vis | 2 | 20184 | |
| 23 | Washer Bricka; Scheibe; Rondelle | 2 | 21275 | |

1700-027 Electric drive motor

[1998-11-19]

Elektrisk åkmotor; Elektro-Fahrmotor; Moteur de traction électrique

| | | | 598 SM 12S | 335439 - |
|-----|---|-----|------------|----------|
| Pos | Description | Pcs | Part No | Note |
| 01 | Motor(Complete) Motor(Komplett); Motor(Komplett); Moteur(Complet) | 1 | 167201 | |
| 02 | Carbon brush Kolborste; Kohlebürste; Charbon | 4 | 135858 | |
| 03 | Brush bridge Borstbrygga; Bürstenbrücke; Support de porte balais | 1 | 135853 | |
| 09 | Rotor Rotor; Rotor; Rotor | 1 | 139178 | |
| 10 | Stator Stator; Ständer; Stator | 1 | 169554 | |
| 11 | End shield Lagersköld; Lagerschild; Bouclier | 1 | 135852 | |
| 12 | Screw Skruv; Schraube; Vis | 14 | 20224 | |
| 13 | Washer Bricka; Scheibe; Rondelle | 14 | 21351 | |
| 14 | Locking ring Spårring; Schliessring; Circlip | 1 | 27542 | |
| 15 | Bearing Lager; Lager; Roulement | 1 | 28560 | |
| 16 | Locking ring Spårring; Schliessring; Circlip | 1 | 22122 | |
| 17 | Spring Fjäder; Feder; Ressort | 4 | 149423 | |
| 18 | Cable Kabel; Kabel; Câble | 2 | 27899 | |
| 19 | Key Kil; Keil; Clavette | 1 | 27900 | |
| 20 | Locking ring Spårring; Schliessring; Circlip | 1 | 20923 | |
| 21 | Locking ring Spårring; Schliessring; Circlip | 1 | 29515 | |
| 22 | Washer Bricka; Scheibe; Rondelle | 1 | 29516 | |
| 23 | Washer Bricka; Scheibe; Rondelle | 1 | 29517 | |
| 24 | Ball bearing Kullager; Kugellager; Roulement a billes | 1 | 26102 | |
| 25 | End shield Lagersköld; Lagerschild; Bouclier | 1 | 139172 | |
| 26 | Sealing Tätning; Dichtung; Joint | 1 | 27898 | |
| 27 | Plug Propp; Pfropfen; Bouchon | 4 | 148206 | |
| 28 | Isolation bush Isolerbussning; Isolierbuchse; Bague isolation | 4 | 27551 | |
| 29 | Nut Mutter; Mutter; Ecrou | 2 | 21110 | |
| 30 | Washer Bricka; Scheibe; Rondelle | 2 | 21275 | |
| 31 | Nut Mutter; Mutter; Ecrou | 2 | 20081 | |

4110-062 Steering arm / wheel / lever

[1997-11-08]

Styr- arm/ratt/spak; Deichsel, Lenkrad-hebel; Timon/volant/levier de direction

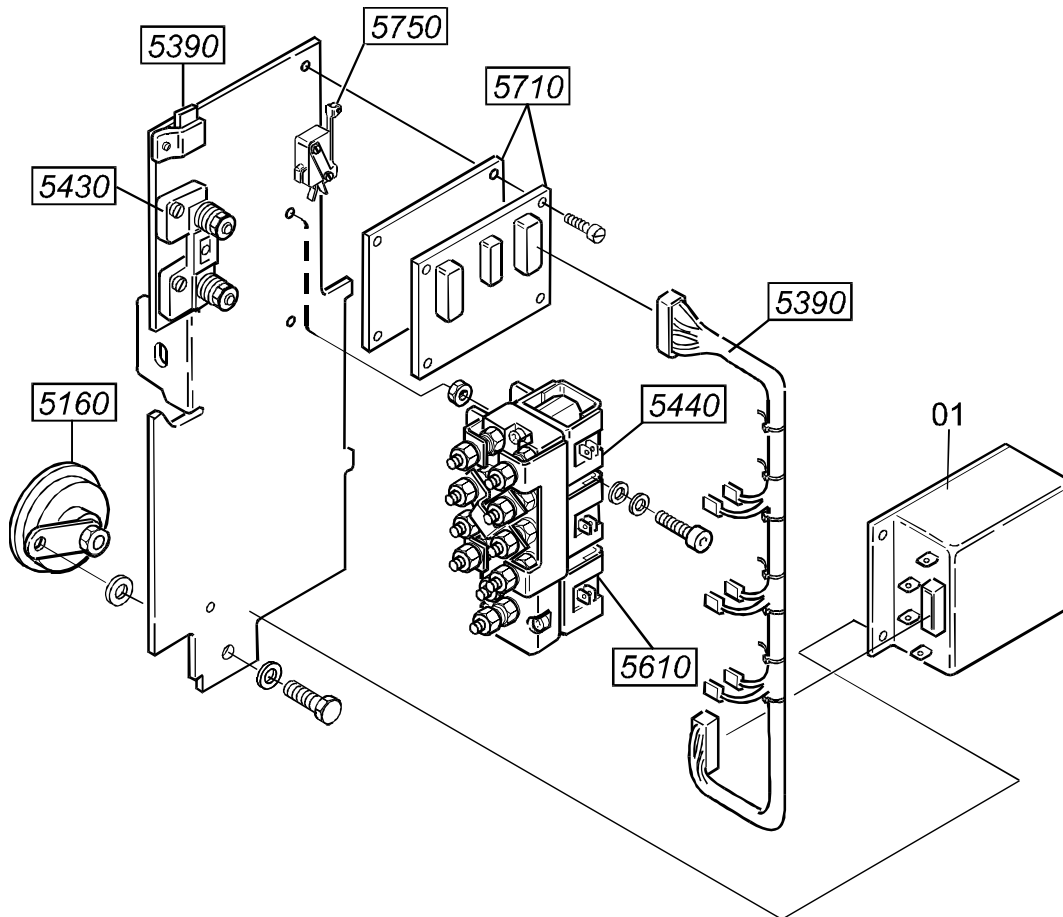
| With driver platform; Med förarplattform; Mit Fahrerplattform; Avec plate forme du conducteur | | 598 SM 12S | 335439 - | |
|---|---|------------|------------|--|
| Pos | Description | Pcs | Part No | Note |
| 01 | Steering arm compl.(Transistor) Styrmarm kompl.; Deichsel kompl.; Timon compl. | 1 | 153673 | Extra lifting / sinking Extra lyft / sänkning; Extra hebe / senkning; Extralevage / d'epression |
| 01 | Steering arm compl.(Transistor) Styrmarm kompl.; Deichsel kompl.; Timon compl. | 1 | 160286 | Lifting / sinking Lyft / sänkning; Hebe / senkning; Levage / d'epression |
| 01 | Steering arm compl.(Transistor) Styrmarm kompl.; Deichsel kompl.; Timon compl. | 1 | 166662 | Lift Lyft; Hebe; Levage |
| 01 | Steering arm compl.(Transistor) Styrmarm kompl.; Deichsel kompl.; Timon compl. | 1 | 166663 | Extra lifting Extra lyft; Extra hebe; Extralevage |
| 11 | Cap Lock; Deckel; Couvercle | 1 | 142251 | Lift Lyft; Hebe; Levage |
| 11 | Cap Lock; Deckel; Couvercle | 1 | 142251 | Lifting / sinking Lyft / sänkning; Hebe / senkning; Levage / d'epression |
| 11 | Cap Lock; Deckel; Couvercle | 1 | 151432 | Extra lifting / sinking Extra lyft / sänkning; Extra hebe / senkning; Extralevage / d'epression |
| 11 | Cap Lock; Deckel; Couvercle | 1 | 151432 | Extra lifting Extra lyft; Extra hebe; Extralevage |
| 12 | Screw Skruv; Schraube; Vis | 4 | 28545 | |
| 13 | Screw Skruv; Schraube; Vis | 2 | 24470 | |
| 14 | Operating arm housing Manöverarmshus; Steuerarm Gehäuse; Boîtier de timon commande | 1 | 141950 | |
| 15 | Handle Handtag; Handgriff; Poignée. | 1 | 141846 | |
| 16 | Screw Skruv; Schraube; Vis | 2 | 20276 | |
| 17 | Cap Lock; Deckel; Couvercle | 1 | 142250 | |
| 18 | Washer Bricka; Scheibe; Rondelle | 2 | 20404 | |
| 19 | Nut Mutter; Mutter; Ecrou | 2 | 20016 | |
| 20 | Nut Mutter; Mutter; Ecrou | 2 | 21110 | |
| 21 | Bracket Fäste; Halterung; Support | 1 | 134491 | |
| 22 | Plate Plåt; Platte; Plaque | 1 | 134476 | |
| 23 | Washer Bricka; Scheibe; Rondelle | 2 | 21307 | |
| 24 | Screw Skruv; Schraube; Vis | 2 | 22059 | |
| 25 | Cap Lock; Deckel; Couvercle | 1 | 153668 | |
| 26 | Axle Axel; Achse; Axe | 1 | 134494 | |
| 27 | Locking pin Spännstift; Spannstift; Goupille | 1 | 20189 | |
| 28 | Gas suspension Gasfjäder; Gasfederung; Suspension à gaz | 1 | 153960-066 | |
| 29 | Bush Bussning; Bague; Bague | 2 | 140177 | |
| 30 | Cap Lock; Deckel; Couvercle | 1 | 147392 | |
| 31 | Bracket Fäste; Halterung; Support | 1 | 163010 | |

5190-049 Battery cut out connector/contactor

[2001-04-23]

Batterifrånskiljare, huvudkontaktör; Batterietrennung, Hauptkontaktör; Coupe-circuit de batterie, contacteur

| | | | 598 SM 12S | 412520 - |
|-----|---|-----|------------|----------|
| Pos | Description | Pcs | Part No | Note |
| 11 | Connector Handske; Stecker; Bloc de connexion | 1 | 179838 | |
| 12 | Connector(Complete) Handske(Komplett); Stecker(Komplett); Bloc de connexion(Complett) | 1 | 181727 | |
| 13 | Nut Mutter; Mutter; Ecrou | 2 | 20433 | |
| 14 | Washer Bricka; Scheibe; Rondelle | 2 | 20375 | |
| 15 | Connector Handske; Stecker; Bloc de connexion | 1 | 179839 | |
| 16 | Bracket Fäste; Halterung; Support | 1 | 181520 | |
| 17 | Washer Bricka; Scheibe; Rondelle | 2 | 20375 | |
| 18 | Screw Skruv; Schraube; Vis | 2 | 20055 | |



5460-013 Transistor panel

Transistorpanel ; Transistorpanel; Panneau transistor

[1997-10-15]

| Pos | Description | Pcs | Part No | Note |
|-----|---|-----|------------|--|
| 01 | Transistor controller Transistorregulator; Transistorregulator; Regulateur des transistors | 1 | 137197-006 | Only for trucks in CE-design Endast maskiner enligt CE-utförande; Nur für Stapler in CE-ausführung; Seulement du chariot version CE |

6100-098 Hydraulic unit

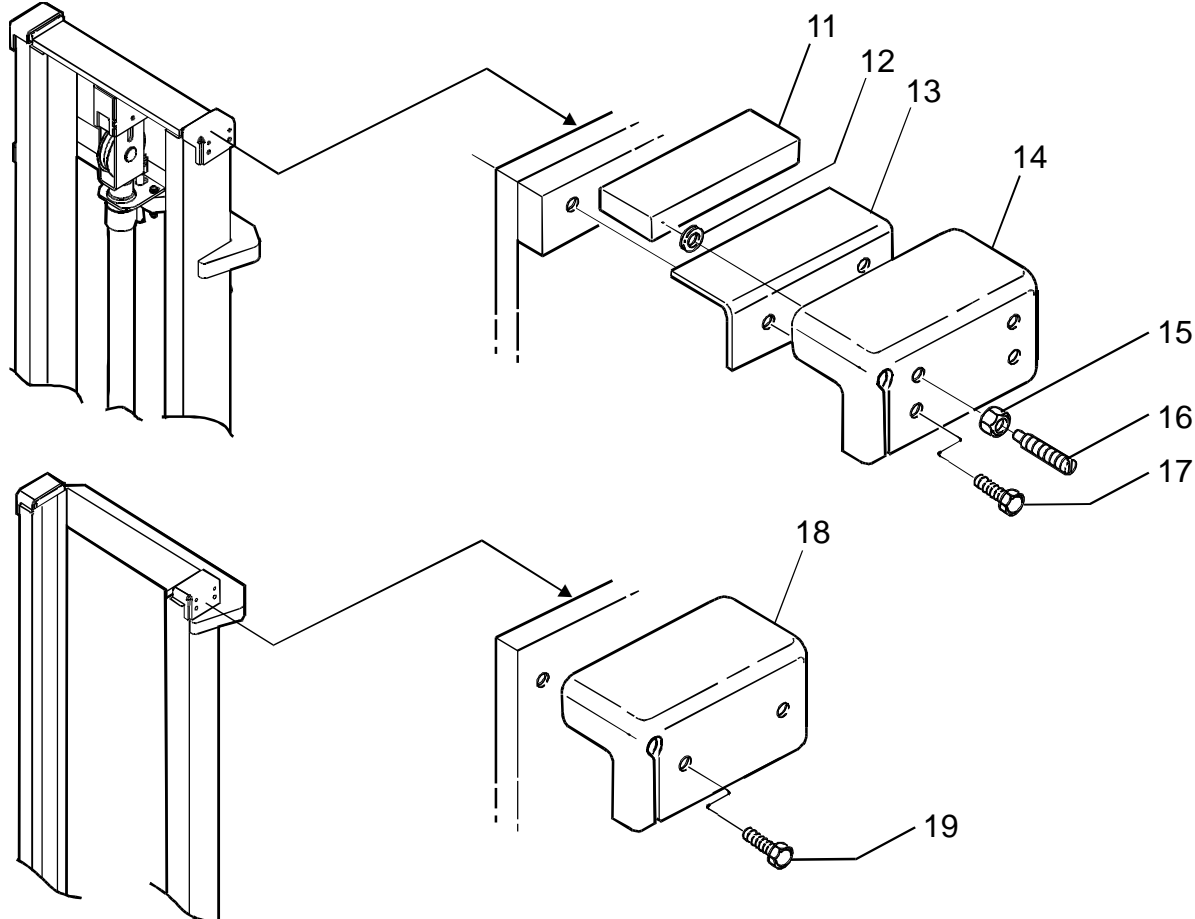
[2001-04-25]

Hydraulaggregat; Hydraulikaggregat; Unité hydraulique

| | | | 598 SM 12S | 412520 - |
|-----|--|-----|------------|----------|
| Pos | Description | Pcs | Part No | Note |
| 01 | Pump unit compl. Pumpenhet kompl.; Pumpeinheit kompl.; Unite de pompe compl. | 1 | 181354 | |
| 11 | Non return valve Backventil; Rückschlagklappe; Clapet de retenue | 1 | 143374 | |
| 12 | Tank Tank; Behälter; Reservoir | 1 | 181171 | |
| 13 | Cap Lock; Deckel; Couvercle | 1 | 181622 | |
| 14 | Filter Filter; Filter; Filtre | 1 | 143382 | |
| 15 | Valve Ventil; Ventil; Soupape | 1 | 143373 | |
| 16 | Restriction valve Sänkbromsventil; Drosselventil; Soupape de reduction | 1 | 148272 | |
| 17 | Valve Ventil; Ventil; Soupape | 1 | 148271 | |
| 18 | Packing set Packningssats; Packungssatz; Jeux d'étanchéité. | 1 | 148312 | |
| 19 | Conversion kit(Electric lifting / sinking) Ombyggn. sats(Elektrisk lyft / sänkning); Umbausatz(Elektrische hebe / senkung); Kit reducteur(Levage / dépression de électrique) | 1 | 150159 | |
| 23 | Bracket Fäste; Halterung; Support | 1 | 150455 | |
| 24 | Sealing kit Tätningssats; Dichtungssatz; Jeux d'étanchéité | 1 | 143378 | |
| 27 | Pump Pump; Pump; Pumpe | 1 | 143377 | |
| 28 | Filter Filter; Filter; Filtre | 1 | 152716 | |
| 29 | Filter Filter; Filter; Filtre | 1 | 143382 | |

7150-002

P0002582



7150-002 Mast guidance / dampers

[1996-08-22]

Stativstyrning / dämpning; Stativführung / Dämpfer; Guidage de mat

| Pos | Description | Pcs | Part No | Note |
|-----|--|-----|---------|---------|
| 11 | Plug Plugg; Pfropf; Bouchon | 2 | 144720 | |
| 12 | Washer Bricka; Scheibe; Rondelle | 2 | 144721 | |
| 13 | Slide plate Glidplatta; Gleitplatte; Plaque de incline | 2 | 148763 | |
| 14 | Plate Plåt; Platte; Plaque | 2 | 148762 | |
| 15 | Nut Mutter; Mutter; Ecrou | 4 | 21110 | |
| 16 | Stop screw Stoppskruv; Einstellschraube; Vis de arretoire | 4 | 26829 | |
| 17 | Screw Skruv; Schraube; Vis | 4 | 28590 | |
| 18 | Plate Plåt; Platte; Plaque | 2 | 148761 | Simplex |
| 19 | Screw Skruv; Schraube; Vis | 4 | 28590 | Simplex |

CLICK HERE TO **DOWNLOAD** THE COMPLETE MANUAL

- Thank you very much for reading the preview of the manual.
- You can download the complete manual from: www.heydownloads.com by clicking the link below



- Please note: If there is no response to CLICKING the link, please download this PDF first and then click on it.

CLICK HERE TO **DOWNLOAD** THE COMPLETE MANUAL