

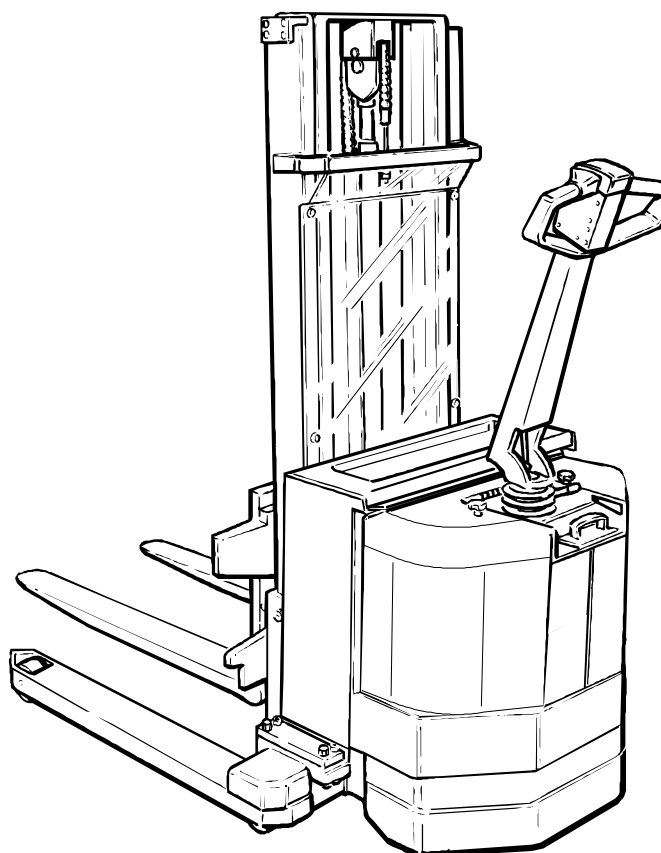
TOYOTA

Powered pallet stacker SM 12S

Valid for machine number: 350497AT

Only valid for machine number:

--	--	--	--	--	--	--



Spare Parts Catalogue

Ordering number 174377

Date 1999-11-26 / ESDJ

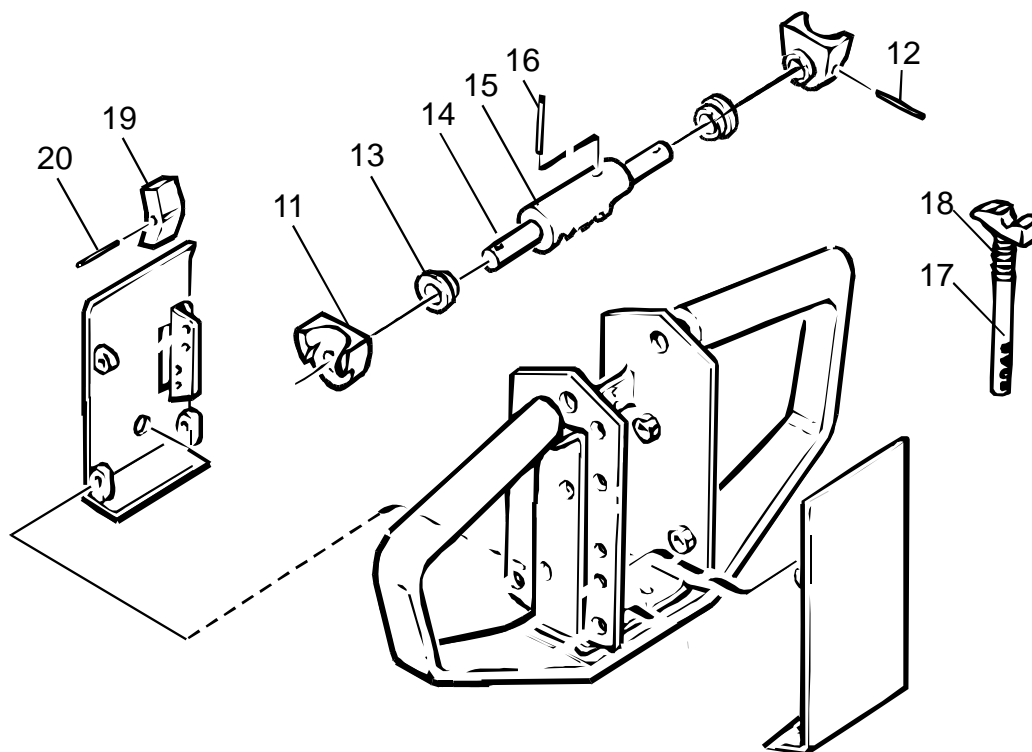
CLICK HERE TO **DOWNLOAD** THE COMPLETE MANUAL

- Thank you very much for reading the preview of the manual.
- You can download the complete manual from: www.heydownloads.com by clicking the link below



- Please note: If there is no response to CLICKING the link, please download this PDF first and then click on it.

CLICK HERE TO **DOWNLOAD** THE COMPLETE MANUAL

**0640-014 Driver controls (mechanical)**

[1996-08-08]

Förarreglage (mekaniskt); Bedienungselemente (mech.); Commandes (mécanique)

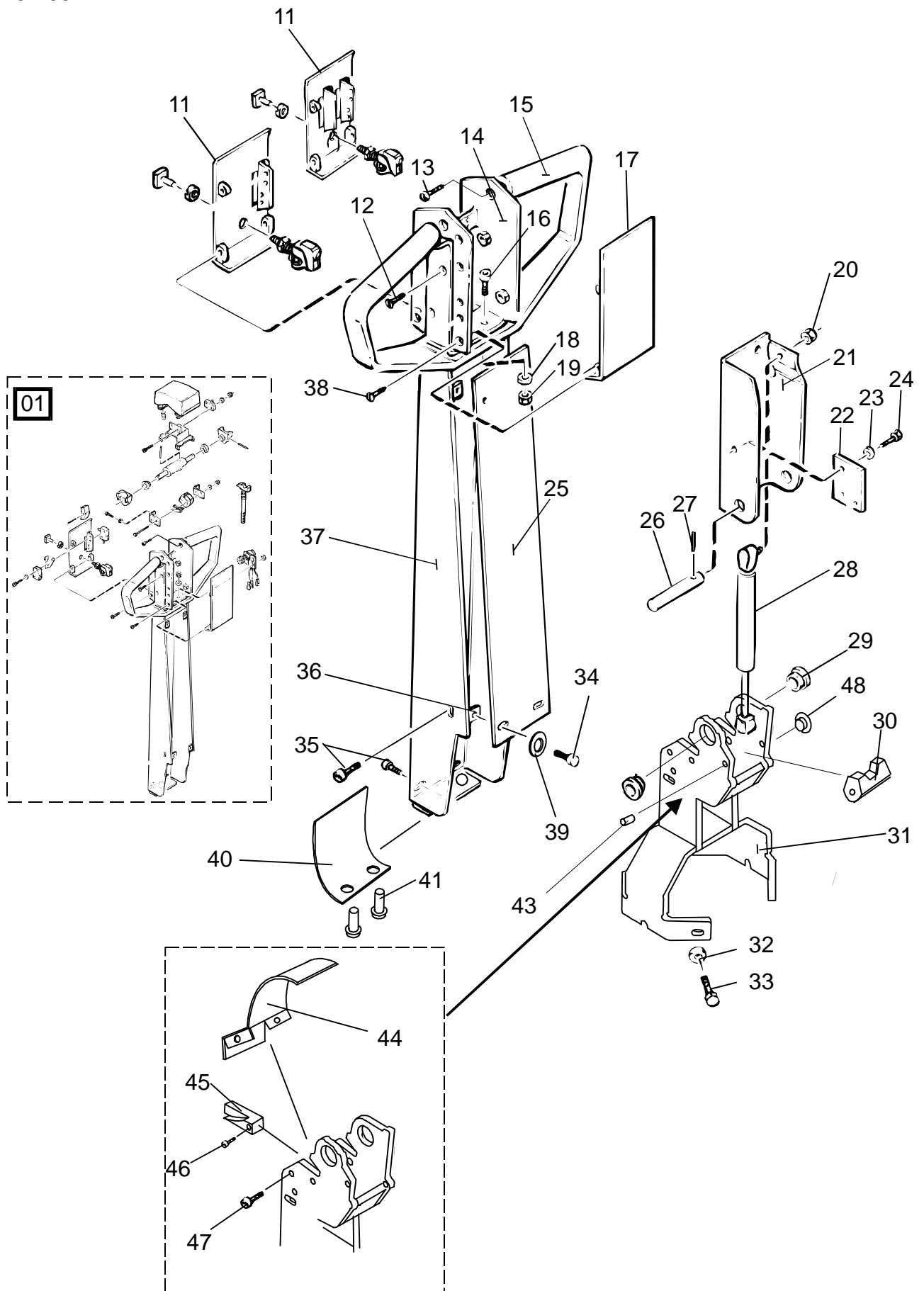
Pos	Description	Pcs	Part No	Note
			598 SM 12S	335439 -
11	Rocker Vippa; Kippe; Levier oscillant	2	141851	
12	Locking pin Spännstift; Spannstift; Goupille	2	20524	
13	Bush Bussning; Bague; Bague	2	140176	
14	Axle Axel; Achse; Axe	1	142362	
15	Cam disc roller Kamrulle; Umleitungsrolle; Roleau de segment	1	109631	
16	Locking pin Spännstift; Spannstift; Goupille	1	20524	
17	Returner Återförare; Rückleiter; Renvoi	1	101216	
18	Spring Fjäder; Feder; Ressort	1	46490	
19	Push-button Tryckknapp; Druckknopf; Bouton	1	55964	
20	Cylinder pin Cylindrisk pinne; Zylinderstift; Goupille cylindre	1	23790	

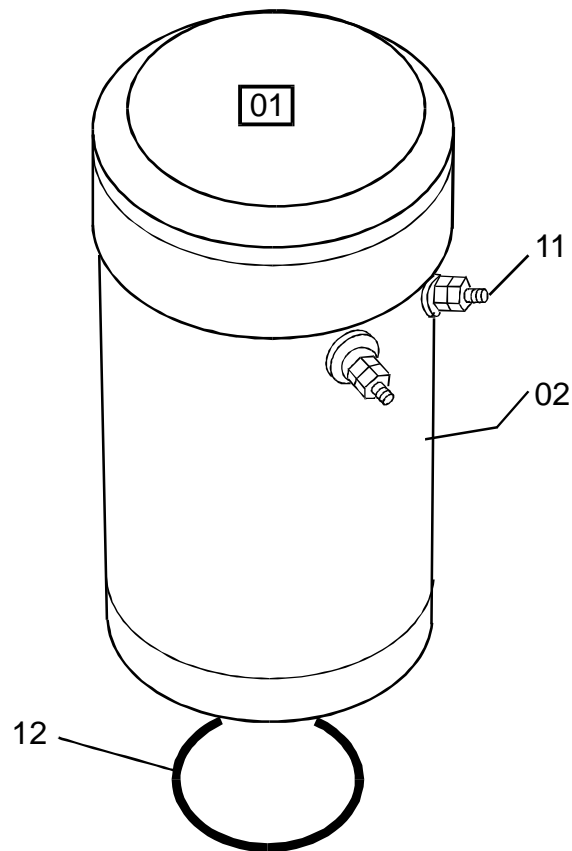
2550-024 Mechanical drive gear unit

[1999-03-14]

Drivaggregat/-växel; Antriebsaggregat/-getriebe; Groupe de traction, réducteur

			598 SM 12S	335439 -
Pos	Description	Pcs	Part No	Note
01	Driving gear compl. Drivväxel kompl.; Antriebsatz kompl.; Groupe de entrainement compl.	1	170539	
11	Dip stick Oljesticka; Ölmesstab; Jauge d'huile	1	135915	
12	Washer Bricka; Scheibe; Rondelle	1	28998	
13	Shim(0,05mm) Shims; Schim; Cale		27220	
13	Shim(0,1mm) Shims; Schim; Cale		27221	
13	Shim(0,2mm) Shims; Schim; Cale		27222	
13	Shim(0,3mm) Shims; Schim; Cale		27223	
13	Shim(0,5mm) Shims; Schim; Cale		27224	
13	Shim(1 mm) Shims; Schim; Cale		27225	
14	Screw Skruv; Schraube; Vis	4	21141	
15	Shim(0,05mm) Shims; Schim; Cale		27232	
15	Shim(0,1mm) Shims; Schim; Cale		27233	
15	Shim(0,2mm) Shims; Schim; Cale		27234	
15	Shim(0,3mm) Shims; Schim; Cale		27235	
15	Shim(0,5 mm) Shims; Schim; Cale		27236	
15	Shim(1 mm) Shims; Schim; Cale		27237	
16	Roller bearing Rullager; Rollenlager; Palier à rouleaux	1	27208	
17	Spare part kit : Bevel gear Reservdelssats : Koniskt kugghjul; Satz : Kegelrad; Jeux : Roue conique à denture droite	1	101092	
18	Nut Mutter; Mutter; Ecrou	1	101098	
19	Washer Bricka; Scheibe; Rondelle	1	23604	
20	Roller bearing Rullager; Rollenlager; Palier à rouleaux	1	27206	
21	Shim(0,05mm) Shims; Schim; Cale		27238	
21	Shim(0,1mm) Shims; Schim; Cale		27239	
21	Shim(0,2mm) Shims; Schim; Cale		27240	
21	Shim(0,3mm) Shims; Schim; Cale		27241	
21	Shim(0,5mm) Shims; Schim; Cale		27242	
21	Shim(1 mm) Shims; Schim; Cale		27243	
22	Screw Skruv; Schraube; Vis	2	28519	
24	Screw Skruv; Schraube; Vis	2	20276	
25	Cap Lock; Deckel; Couvercle	1	127280	



**5810-023 Electric pump motor**

Elektrisk pumpmotor; Elektro-Pumpenmotor; Moteur de pompe électrique

[1998-09-15]

Pos	Description	Pcs	Part No	Note
01	Motor Motor; Motor; Moteur	1	162992	
02	Carbon brush set Kolsats; Kohlenbürstesats; Jeux de charbon	1	27591	
11	Outlet bolt Uttagsbult; Anzapfbolzen; Borne	2	135919	
12	O-ring O-ring; O-ring; Joint torique	1	27585	

Pos	Description	Pcs	Part No	Note
18	Chain wheel Kedjehjul; Kettenrad; Roue de chaine	1	146224	
19	Bracket Fäste; Halterung; Support	1	146207	
20	Screw Skruv; Schraube; Vis	2	28590	
21	Bracket Fäste; Halterung; Support	1	151226	
22	Screw Skruv; Schraube; Vis	2	28590	
23	Roller(Complete) Rulle(Komplett); Rolle(Komplett); Roleau(Complet)	1	10604	
24	Roller Rulle; Rolle; Roleau	1	33399	
25	Locking ring Spårring; Schliessring; Circlip	1	20009	
26	Ball bearing Kullager; Kugellager; Roulement a billes	1	20643	
27	Washer Bricka; Scheibe; Rondelle	1	22707	
28	Guide Styrning; Steuerung; Guidage	1	133266	
29	Sealing ring Tätningring; Dichtungsring; Bague d'étanchéité	1	20645	
30	Locking ring Spårring; Schliessring; Circlip	1	20008	
31	Bracket Fäste; Halterung; Support	1	146218	
32	Nut Mutter; Mutter; Ecrou	4	20528	
33	Nut Mutter; Mutter; Ecrou	4	20006	
34	Cotter pin Saxpinne; Gespalter stift; Goupille fendue	4	20312	
35	Chain complete Kedja komplett; Ketten komplett ; Chaine complete	2	144716-001	L = 1048 mm
35	Chain complete Kedja komplett; Ketten komplett ; Chaine complete	2	144716-002	L = 1200 mm
35	Chain complete Kedja komplett; Ketten komplett ; Chaine complete	2	144716-003	L = 1276 mm
35	Chain complete Kedja komplett; Ketten komplett ; Chaine complete	1	144716-007	L = 1086 mm
36	Chain bolt Kedjebult; Kettenbolzen; Tourillon de chaine	2	105381	
37	Cotter pin Saxpinne; Gespalter stift; Goupille fendue	8	21445	
38	Washer Bricka; Scheibe; Rondelle	8	20404	
39	Nut Mutter; Mutter; Ecrou	2	20528	
40	Nut Mutter; Mutter; Ecrou	2	20006	
41	Cotter pin Saxpinne; Gespalter stift; Goupille fendue	2	20312	
42	Chain bolt Kedjebult; Kettenbolzen; Tourillon de chaine	4	105814	
43	Chain bolt Kedjebult; Kettenbolzen; Tourillon de chaine	2	144713	
44	Chain(Meter) Kedja(Meter); Ketten(Meter); Chaine(Metre)		27295	

CLICK HERE TO **DOWNLOAD** THE COMPLETE MANUAL

- Thank you very much for reading the preview of the manual.
- You can download the complete manual from: www.heydownloads.com by clicking the link below



- Please note: If there is no response to CLICKING the link, please download this PDF first and then click on it.

CLICK HERE TO **DOWNLOAD** THE COMPLETE MANUAL