

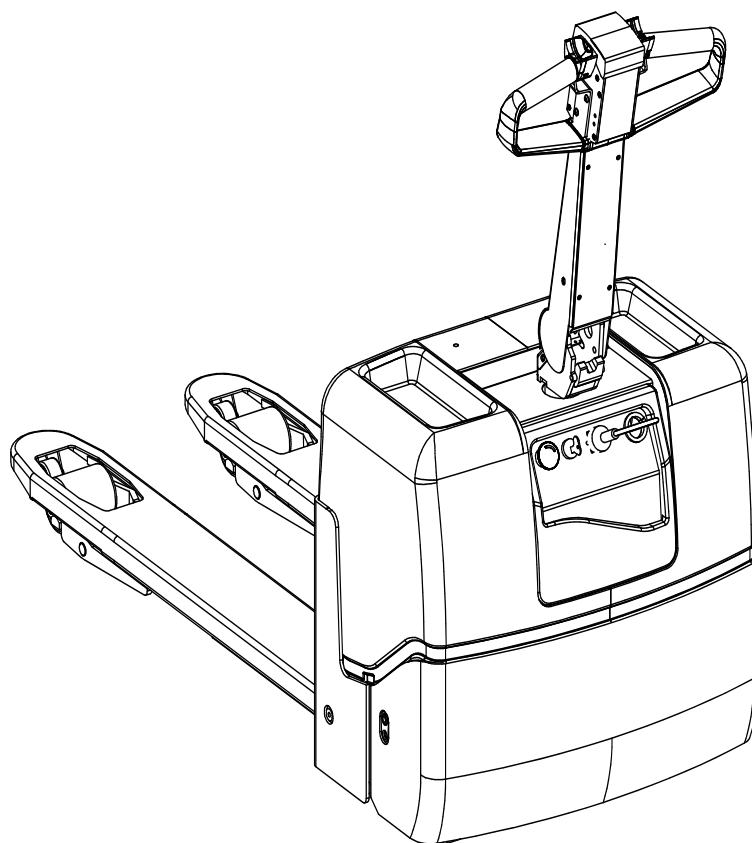
TOYOTA

Powered Pallet Truck PP 13

Valid for machine number: 722292 -

Only valid for machine number:

--	--	--	--	--	--	--	--



Spare Parts Catalogue

Ordering number219781

Date2004-09-20/ITS

CLICK HERE TO **DOWNLOAD** THE COMPLETE MANUAL

- Thank you very much for reading the preview of the manual.
- You can download the complete manual from: www.heydownloads.com by clicking the link below



- Please note: If there is no response to CLICKING the link, please download this PDF first and then click on it.

CLICK HERE TO **DOWNLOAD** THE COMPLETE MANUAL

0380-00441 Fork frame (low lifters)

[2004-09-20]

Gaffelstomme (låglyftare); Gabelchassis (Niederhubwagen); Châssis (transpalettes);

Single wheel 85 mm; Singelhjul 85 mm; Einzelrad 85 mm; Roue simple 85 mm		675 PP 13	722292 -	
Pos	Description	Pcs	Part No	Note
11	Fork carriage complete Gaffelvagn komplett; Gabelvagen Komplett; Chariot porte-fourche complet	1	208112-010	l = 910 mm, b5 = 450 mm
11	Fork carriage complete Gaffelvagn komplett; Gabelvagen Komplett; Chariot porte-fourche complet	1	208112-020	l = 1000 mm, b5 = 450 mm
11	Fork carriage complete Gaffelvagn komplett; Gabelvagen Komplett; Chariot porte-fourche complet	1	208112-025	l = 1070 mm, b5 = 450 mm
11	Fork carriage complete Gaffelvagn komplett; Gabelvagen Komplett; Chariot porte-fourche complet	1	208112-030	l = 1150 mm, b5 = 450 mm
11	Fork carriage complete Gaffelvagn komplett; Gabelvagen Komplett; Chariot porte-fourche complet	1	208112-035	l = 1220 mm, b5 = 450 mm
11	Fork carriage complete Gaffelvagn komplett; Gabelvagen Komplett; Chariot porte-fourche complet	1	208112-110	l = 910 mm, b5 = 520 mm
11	Fork carriage complete Gaffelvagn komplett; Gabelvagen Komplett; Chariot porte-fourche complet	1	208112-120	l = 1000 mm, b5 = 520 mm
11	Fork carriage complete Gaffelvagn komplett; Gabelvagen Komplett; Chariot porte-fourche complet	1	208112-125	l = 1070 mm, b5 = 520 mm
11	Fork carriage complete Gaffelvagn komplett; Gabelvagen Komplett; Chariot porte-fourche complet	1	208112-130	l = 1150 mm, b5 = 520 mm
11	Fork carriage complete Gaffelvagn komplett; Gabelvagen Komplett; Chariot porte-fourche complet	1	208112-135	l = 1220 mm, b5 = 520 mm
11	Fork carriage complete Gaffelvagn komplett; Gabelvagen Komplett; Chariot porte-fourche complet	1	208112-210	l = 910 mm, b5 = 685 mm
11	Fork carriage complete Gaffelvagn komplett; Gabelvagen Komplett; Chariot porte-fourche complet	1	208112-220	l = 1000 mm, b5 = 685 mm
11	Fork carriage complete Gaffelvagn komplett; Gabelvagen Komplett; Chariot porte-fourche complet	1	208112-225	l = 1070 mm, b5 = 685 mm
11	Fork carriage complete Gaffelvagn komplett; Gabelvagen Komplett; Chariot porte-fourche complet	1	208112-230	l = 1150 mm, b5 = 685 mm
11	Fork carriage complete Gaffelvagn komplett; Gabelvagen Komplett; Chariot porte-fourche complet	1	208112-235	l = 1220 mm, b5 = 685 mm
12	Ear Öra; Halter; Etrier	2	138209	
13	Ear Öra; Halter; Etrier	2	138210	
14	Axle Axel; Achse; Axe	1	165892	
15	Screw Skruv; Schraube; Vis	1	29668	
16	Locking pin Spännstift; Spannstift; Goupille	2	20001	
17	Axle Axel; Achse; Axe	2	126131	
18	Wheel fork(Complete) Hjulgaffel(Komplett); Radgabel(Komplett); Fourche de roue(Complett)	2	130685	
19	Bush Bussning; Bague; Bague	4	47117	
20	Push rod Tryckstång; Druckstange; Tringle	2	179231-091	l = 910 mm
20	Push rod Tryckstång; Druckstange; Tringle	2	179231-100	l = 1000 mm
20	Push rod Tryckstång; Druckstange; Tringle	2	179231-107	l = 1070 mm
20	Push rod Tryckstång; Druckstange; Tringle	2	179231-115	l = 1150 mm
20	Push rod Tryckstång; Druckstange; Tringle	2	179231-122	l = 1220 mm
21	Bush Bussning; Bague; Bague	4	30023	
22	Greasing nipple Smörjnippel; Smiernippel; Graisseur	6	27662	

0400-00060 Frame/chassis components

[2003-10-27]

Rammonterade detaljer; Chassisanbauteile; Composants du châssis;

			675 PP 13	592480 -
Pos	Description	Pcs	Part No	Note
11	Bolt Bult; Bolzen; Boulon	2	172500	
12	Screw Skruv; Schraube; Vis	2	20333	
13	Locking device Låsanordning; Verschluss; verrouillage	2	172501	
14	Screw Skruv; Schraube; Vis	2	29982	
15	Axle Axel; Achse; Axe	2	174612	
16	Locking ring Spårring; Schliessring; Circlip	2	29793	
17	Bush Bussning; Bague; Bague	4	167794	
18	Link Länk; Gelenk; Bras	2	165941	
19	Locking pin Spännstift; Spannstift; Goupille	2	21316	
20	List List; Leiste; Bande	2	22420	

4110-00323 Steering arm/wheel/lever

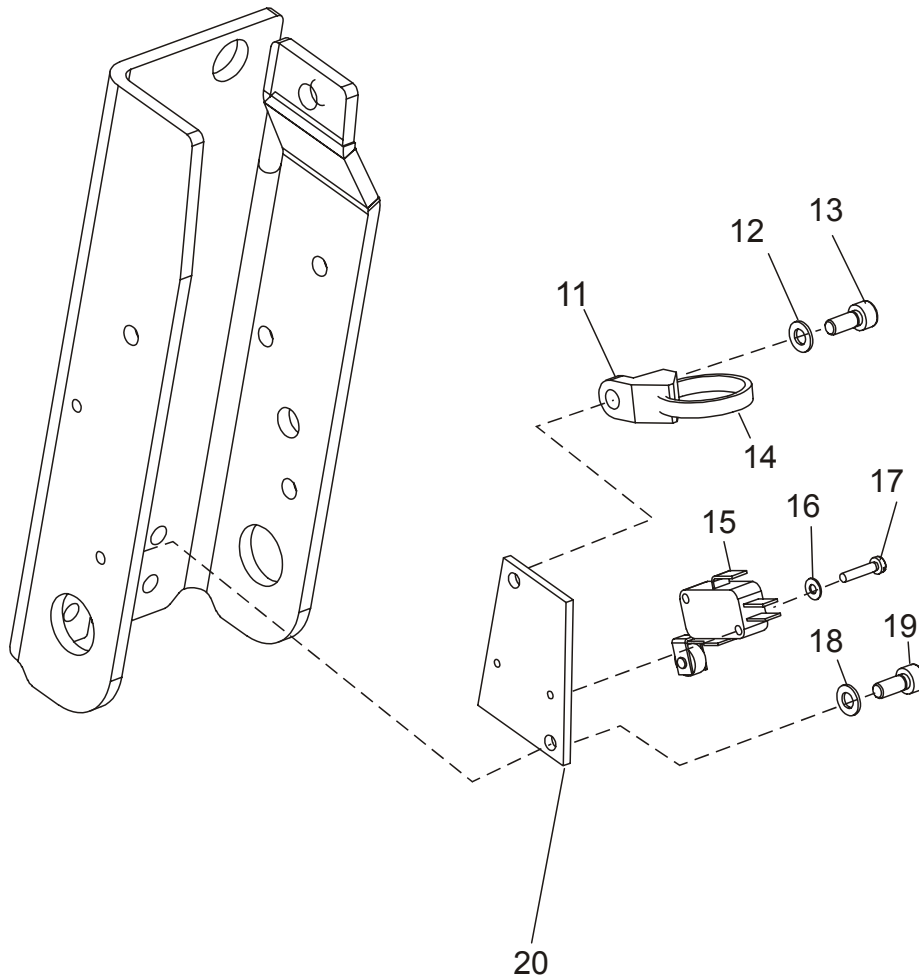
[2003-11-03]

Styr- arm/ratt/spak; Deichsel, Lenkrad/-hebel; Timon/volant/levier de direction;

			675 PP 13	592480 -
Pos	Description	Pcs	Part No	Note
01	Operating arm complete Manöverarm komplett; Steuerarm komplett; Boutier de timon complete	1	178077	
11	Push-button Tryckknapp; Druckknopf; Bouton	1	109624	
12	Spring Fjäder; Feder; Ressort	4	27309	
13	Consol Konsol; Konsole; Console	1	109850	
14	Cylinder pin Cylindrisk pinne; Zylinderstift; Goupille cylindre	1	23790	
15	Push-button Tryckknapp; Druckknopf; Bouton	1	55964	
16	Cover Lock; Deckel; Couvercle	1	142251	
17	Rocker Vippa; Kippe; Levier oscillant	2	141851	
18	Bush Bussning; Bague; Bague	2	140176	
19	Axle Axel; Achse; Axe	1	142362	
20	Cam disc roller Kamrulle; Umleitungsrolle; Roleau de segment	1	109631	
21	Locking pin Spännstift; Spannstift; Goupille	1	20524	
22	Locking pin Spännstift; Spannstift; Goupille	2	20524	
23	Spring Fjäder; Feder; Ressort	1	46490	
24	Returner Återförare; Rückleiter; Renvoi	1	101216	
25	Screw Skruv; Schraube; Vis	4	28545	
26	Screw Skruv; Schraube; Vis	2	24470	
27	Operating arm housing Manöverarmshus; Steuerarm Gehäuse; Boîtier de timon commande	1	141950	
28	Handle Handtag; Handgriff; Poignée.	1	141846	
29	Screw Skruv; Schraube; Vis	12	20867	
30	Screw Skruv; Schraube; Vis	2	20276	
31	Cover Lock; Deckel; Couvercle	1	142250	
32	Washer Bricka; Scheibe; Rondelle	2	20404	
33	Nut Mutter; Mutter; Ecrou	2	20016	
34	Arm Arm; Arm; Bras	1	167383-001	
35	Cover plate Täckplåt; Deckblech; Protecteur en tôle	1	167385-001	
36	Nut Mutter; Mutter; Ecrou	4	29790	
37	Screw Skruv; Schraube; Vis	4	28545	
38	Screw Skruv; Schraube; Vis	4	28970	
39	Washer Bricka; Scheibe; Rondelle	8	126723-002	
40	Cover plate Täckplåt; Deckblech; Protecteur en tôle	1	164596	

5310-00065

P0013163

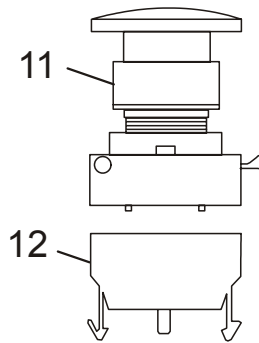


5310-00065 Start/stop switch

[2002-06-26]

Start/stopströmställare; Schalter Fahren/Anhalten; Interrupteur (coupe-circuit) démarrage/arrêt;

Pos	Description	Pcs	Part No	Note
11	Bracket Fäste; Halterung; Support	1	134911	
12	Washer Bricka; Scheibe; Rondelle	1	21307	
13	Screw Skruv; Schraube; Vis	1	20120	
14	Clamp Klamma; Rohrschelle; Collier	1	20942	
15	Micro switch Mikrobrytare; Mikroschalter; Interrupteurs	1	180656	
16	Washer Bricka; Scheibe; Rondelle	2	21392	
17	Screw Skruv; Schraube; Vis	2	23638	
18	Washer Bricka; Scheibe; Rondelle	1	21307	
19	Screw Skruv; Schraube; Vis	1	22059	
20	Plate Plåt; Platte; Plaque	1	156722	



5830-00077 Safety probes/sensors

[2002-06-26]

Säkerhets-givare/-sensor; Sicherheitsgeber/-sensor; Capteurs de sécurité;

			675 PP 13	435280 -
Pos	Description	Pcs	Part No	Note
11	Push-button(Red) Tryckknapp(Röd); Druckknopf(Rot); Bouton(Rouge)	1	155567	
12	Contact device Kontaktblock; Kontakteinheit; Unite de contact	1	155568	

CLICK HERE TO **DOWNLOAD** THE COMPLETE MANUAL

- Thank you very much for reading the preview of the manual.
- You can download the complete manual from: www.heydownloads.com by clicking the link below



- Please note: If there is no response to CLICKING the link, please download this PDF first and then click on it.

CLICK HERE TO **DOWNLOAD** THE COMPLETE MANUAL