

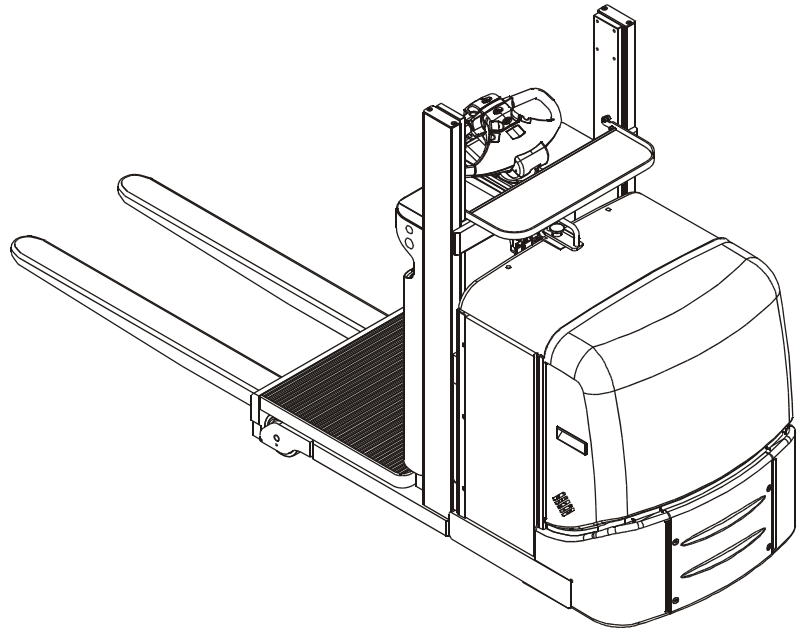
TOYOTA

Order Picking Truck 7LOP10CW

Valid for machine number: 980795 -

Only valid for machine number:

--	--	--	--	--	--	--	--



Spare Parts Catalogue

Ordering number247409

Date2007-03-27 / ITS

CLICK HERE TO **DOWNLOAD** THE COMPLETE MANUAL

- Thank you very much for reading the preview of the manual.
- You can download the complete manual from: www.heydownloads.com by clicking the link below



- Please note: If there is no response to CLICKING the link, please download this PDF first and then click on it.

CLICK HERE TO **DOWNLOAD** THE COMPLETE MANUAL

0340-00574 Inspection covers

[2006-10-20]

Huvar, luckor; Hauben, Abdeckungen; Capots, couvercles;

			787 7LOP10CW	959169 -
Pos	Description	Pcs	Part No	Note
11	Plug Plugg; Ppropf; Bouchon	2	215939	
12	Nut Mutter; Mutter; Ecrou	2	20249	
13	Damper Dämpare; Dämpfer; Attenteur	2	29686	
14	Axle Axel; Achse; Axe	2	218517	
15	Bracket Fäste; Halterung; Support	1	209850	
16	Screw Skruv; Schraube; Vis	4	20154	
17	Gas suspension Gasfjäder; Gasfederung; Suspension à gaz	1	211495	
18	Screw Skruv; Schraube; Vis	2	117919	
19	Bush Bussning; Bague; Bague	1	169268	
20	Bush Bussning; Bague; Bague	3	140174	
21	Washer Bricka; Scheibe; Rondelle	2	21016	
22	Nut Mutter; Mutter; Ecrou	2	20096	
23	Battery door Batterilucka; Batterietür; Porte de batterie	1	212228-004	
24	Knob Knopp; Knopf; Bouton	1	127053-002	
25	Axle Axel; Achse; Axe	1	837783-001	
26	Bracket Fäste; Halterung; Support	1	837784-001	
27	Locking pin Spännstift; Spannstift; Goupille	1	21091	
28	Handle Handtag; Handgriff; Poignée.	1	838417-001	
29	Screw Skruv; Schraube; Vis	2	160628	
30	Hook Hake; Haken; Crochet	1	209229	
31	Screw Skruv; Schraube; Vis	2	20351	
32	Washer Bricka; Scheibe; Rondelle	2	20404	
33	Hook Hake; Haken; Crochet	1	209463	
34	Spring Fjäder; Feder; Ressort	1	209464	
35	Spring Fjäder; Feder; Ressort	1	209465	
36	Distance piece Distans; Distanz; Distance	2	209231	

0670-00074 Wall/floor covering

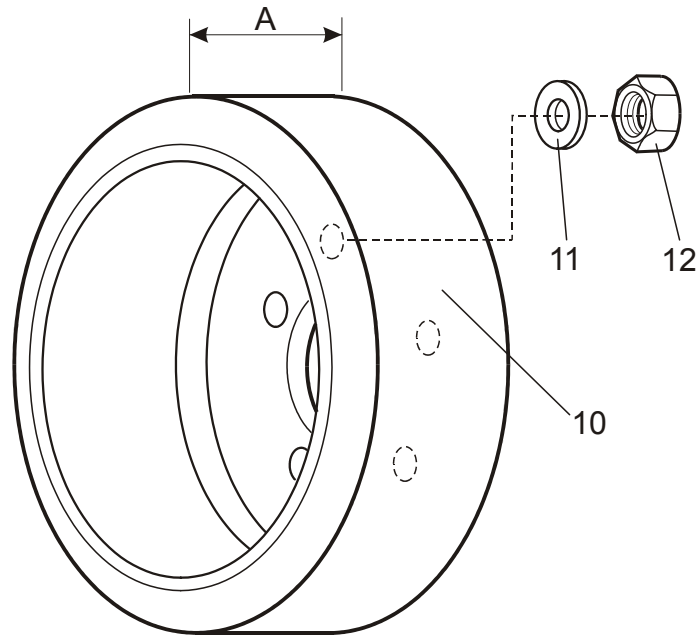
[2007-02-01]

Vägg-/golvlädsel; Innenverkleidung Wand/Boden; Revêtement intérieur, tapis;

			787 7LOP10CW	940212 -
Pos	Description	Pcs	Part No	Note
11	Carpet Matta; Teppisch; Tapis	1	837734-100	Cab. W. 1000
11	Carpet Matta; Teppisch; Tapis	1	837734-120	Cab. W. 1200
11	Carpet Matta; Teppisch; Tapis	1	837734-140	Cab. W. 1400
11	Carpet Matta; Teppisch; Tapis	1	837773-078	Cab. W. 780
12	Screw Skruv; Schraube; Vis	1	20074	
13	Plate Plåt; Platte; Plaque	1	837768-001	
14	Block Block; Block; Bloc	1	837775-001	
15	Screw Skruv; Schraube; Vis	2	20439	
16	Washer Bricka; Scheibe; Rondelle	2	20348	
17	Spring Fjäder; Feder; Ressort	2	213817	

3530-00113

P0018088



3530-00113 Drive wheel

Drivhjul; Antriebsrad; Roue motrice;

[2006-10-27]

Pos	Description	Pcs	Part No	Note
10	Drive wheel(Vulkollan) Drivhjul; Antriebsrad; Roue entrainement	1	135161	
11	Washer Bricka; Scheibe; Rondelle	5	158341	
12	Nut Mutter; Mutter; Ecrou	5	20776	

4110-00460 Steering arm/wheel/lever

[2007-01-29]

Styr- arm/ratt/spak; Deichsel, Lenkrad/-hebel; Timon/volant/levier de direction;

			787 7LOP10CW	959169 -
Pos	Description	Pcs	Part No	Note
01	Bracket Fäste; Halterung; Support	1	202274	
02	Axle Axel; Achse; Axe	1	202272	
11	Control panel(Upper) Kontrollpanel(Övre); Kommandotisch(Obere); Panneau de commande(Supérieur)	1	202338	
12	Screw Skruv; Schraube; Vis	4	21750	
13	Washer Bricka; Scheibe; Rondelle	1	202281	
14	Clamp Klamma; Rohrschelle; Collier	1	213911	
15	Clamp Klamma; Rohrschelle; Collier	1	20942	
16	Screw Skruv; Schraube; Vis	2	20832	
17	Screw Skruv; Schraube; Vis	2	232399	
18	Cover Lock; Deckel; Couvercle	1	167849	Only for S16 smartcard Endast till S16 smartcard; Nur für S16 smartcard; Seulement S16 smartcard
18	Cover(Incl. keypad) Lock(Inkl. tangentbord); Deckel(Inkl. Tastatur); Couvercle(Incl. Tablette à clefs)	1	171660	
19	Screw Skruv; Schraube; Vis	1	166652	
20	Screw Skruv; Schraube; Vis	2	213900	
21	Screw Skruv; Schraube; Vis	2	213896	
22	Housing(lower) Kåpa(nedre); Haus(unter); Chape(inférieur)	1	202316	
23	Cover(Front) Lock(Främre); Deckel(Vordere); Couvercle(Avant)	1	202291	
24	Screw Skruv; Schraube; Vis	2	213900	
25	Housing(upper) Kåpa(övre); Haus(oberer); Chape(supérieur)	1	202303	
26	Handle Handtag; Handgriff; Poignée.	1	202304	
27	Bearing Lager; Lager; Roulement	1	202320	
28	Spring Fjäder; Feder; Ressort	1	202317	
29	Washer Bricka; Scheibe; Rondelle	1	202322	
30	Spring Fjäder; Feder; Ressort	1	202314	
31	Sleeve Hylsa; Hülse; Douille	1	202315	
32	Screw Skruv; Schraube; Vis	3	29815	
33	Washer Bricka; Scheibe; Rondelle	2	21035	
34	Washer Bricka; Scheibe; Rondelle	1	202311	
35	Bearing Lager; Lager; Roulement	1	202319	
36	Bracket Fäste; Halterung; Support	1	202302	
37	Plate Plåt; Platte; Plaque	1	202336	

5820-00177 Lift/lowering/reach movement probes/sensors

[2006-04-07]

Lyft-/sänk-/skjutrörelse-givare/-sensor; Hub-/Senk-/Schubgeber/-sensor; Capteurs de levage/descente/rétraction;

			787 7LOP10CW	940212 -
Pos	Description	Pcs	Part No	Note
11	Washer Bricka; Scheibe; Rondelle	4	126723-003	
12	Screw Skruv; Schraube; Vis	4	21141	
13	Damper Dämpare; Dämpfer; Attenteur	6	136060	
14	Washer Bricka; Scheibe; Rondelle	14	21392	
15	Nut Mutter; Mutter; Ecrou	14	20255	
16	Switch Brytare; Schalter; Rupteur	1	213594-100	
17	Profile Profil; Profil; Profil	1	837921-001	
18	Magnet switch Magnetbrytare; Magnetschalter; Rupteur de bobine	1	213594-050	
19	Sensor(Incl. wiring harness) Givare(Inkl. kablage); Geber(Inkl. kabelsatz); Capteur(Incl. Câblage)	1	216533-085	
20	Screw Skruv; Schraube; Vis	2	21252	
21	Magnet Magnet; Magnet; Magnétique	1	126373	
22	Profile Profil; Profil; Profil	1	837922-001	
23	Washer Bricka; Scheibe; Rondelle	2	21351	
24	Screw Skruv; Schraube; Vis	2	20154	
25	Rivet Nit; Niet; Rivet	4	831218-001	
26	Bracket Fäste; Halterung; Support	2	171942	
27	Plate Plåt; Platte; Plaque	1	838305-001	

7130-00217 Main mast fork carriage

[2006-04-07]

Huvudstativokvagn; Gabel-/Aggregatträger Haupthubgerüst; Tablier porte-fourches mât principal;

			787 7LOP10CW	940212 -
Pos	Description	Pcs	Part No	Note
11	Clamp Klamma; Rohrschelle; Collier	2	156268-002	
12	Clamp Klamma; Rohrschelle; Collier	2	156268-004	
13	Roller Rulle; Rolle; Roleau	4	837787-001	
14	Stop screw Stoppskruv; Einstellschraube; Vis de arretoire	4	45976	
15	Locking ring Spärring; Schliessring; Circlip	2	20359	
16	Plug Plugg; Pfropf; Bouchon	4	153969	

CLICK HERE TO **DOWNLOAD** THE COMPLETE MANUAL

- Thank you very much for reading the preview of the manual.
- You can download the complete manual from: www.heydownloads.com by clicking the link below



- Please note: If there is no response to CLICKING the link, please download this PDF first and then click on it.

CLICK HERE TO **DOWNLOAD** THE COMPLETE MANUAL