

TOYOTA

Reach truck 7FBRE 16(-1)(-2)(-3)(C)

Valid for machine number: 435653AT -

Only valid for machine number:

--	--	--	--	--	--	--	--



Spare Parts Catalogue

Ordering number 200994

Date 2002-02-13 / ESIF

CLICK HERE TO **DOWNLOAD** THE COMPLETE MANUAL

- Thank you very much for reading the preview of the manual.
- You can download the complete manual from: www.heydownloads.com by clicking the link below



- Please note: If there is no response to CLICKING the link, please download this PDF first and then click on it.

CLICK HERE TO **DOWNLOAD** THE COMPLETE MANUAL

TOYOTA

6670-002 Other hydraulic cylinders **Sideshift**
Övriga hydraulcylindrar; Übrige hydraul. Zylinder; Autres vérins hydrauliques

7000 Work function - lifting masts

Arbetsfunktion - lyftstativ; Arbeitsfunktion - Hubgerüste; Fonction de travail - mâts de levage

7100-064 Main mast **Roller**
Huvudstativ/-mast; Haupthubgerüst/-mast; Mât principal

7120-169 Main lift chain system **Roller**
Huvudlyftkedjesystem; Haupthubkettensystem; Système de chaîne de levage mât principal

7120-171 Main lift chain system
Huvudlyftkedjesystem; Haupthubkettensystem; Système de chaîne de levage mât principal

7130-115 Main mast fork carriage
Huvudstativokvagn; Gabel-/Aggregatträger Haupthubergüst; Tablier porte-fourches mât principal

7130-116 Main mast fork carriage
Huvudstativokvagn; Gabel-/Aggregatträger Haupthubergüst; Tablier porte-fourches mât principal

7150-001 Main mast guidance/ dampers
Huvudstativ-styrning/dämpning; Führungen/ Dämpfer Haupthubergüst; Guidage/amortissement mât principal

7150-021 Main mast guidance/ dampers
Huvudstativ-styrning/dämpning; Führungen/ Dämpfer Haupthubergüst; Guidage/amortissement mât principal

7190-041 Main mast suspension
Huvudstativinfästning; Befestigung Haupthubgerüst; Suspension mât principal

7410-001 Fork, carpet boom, lift hook
Lyftgaffel/-pik/-krok; Hubgabel/-dorn/-haken; Fourche, éperon, crochet de levage

9000 Options/attachments

Tillbehör/extrautrustning; Zubehör /Zusatzausrüstung; Equipement supplémentaire/Options

9170-024 Separate sideshift/forksread **Fork positioner unit**
Separat sideshift/gaffelspridning; Seitenschieber, Zinkenverstellung separat; Tabl. déplacement latéral/écartement de fourches

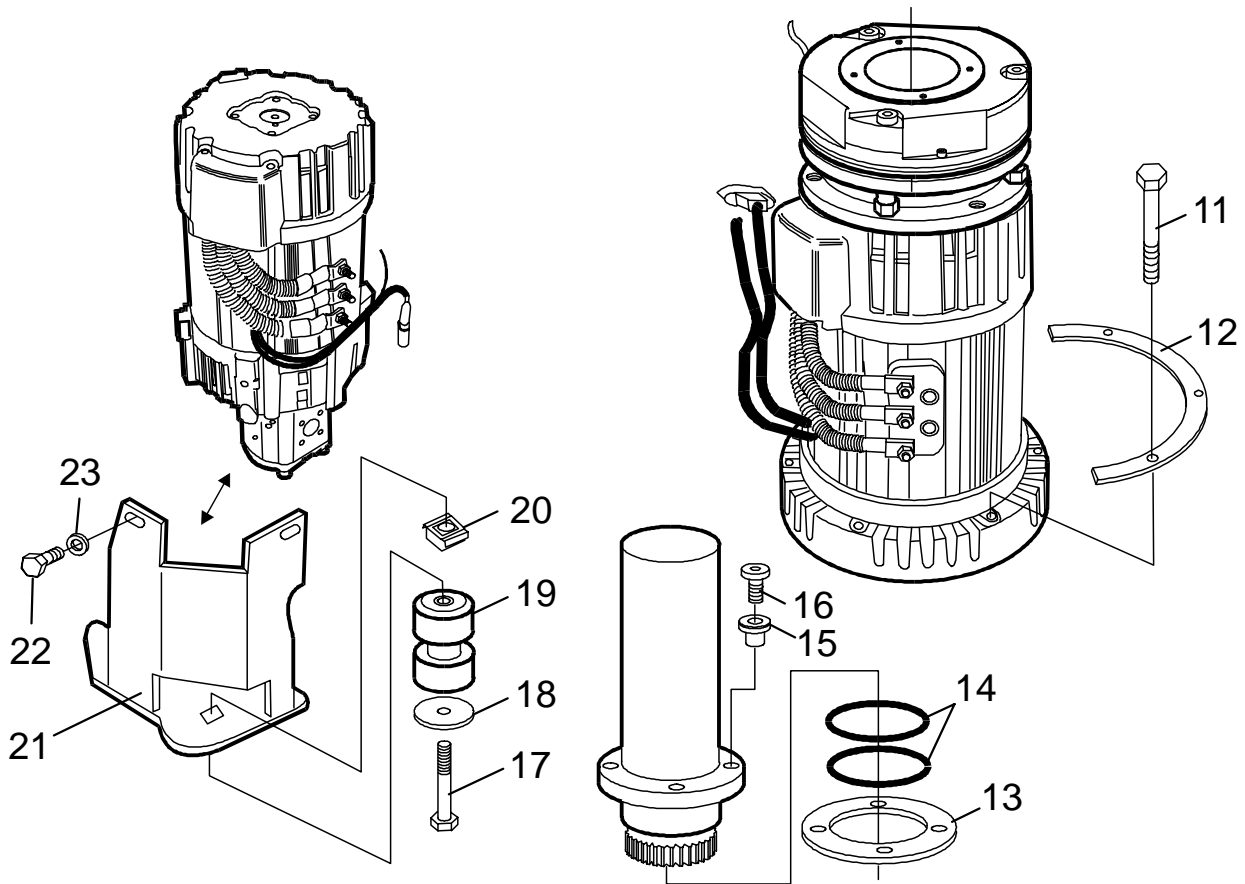
9180-001 Fork extensions
Förlängningsgaffel; Aufsteckgabel; Rallonges de fourches

9330-012 Radio/recorder
Radio/bandspelare; Radio/Kassettengerät; Radio/magnétophone

9360-016 Extra lighting
Extra belysning; Zusatzbeleuchtung; Eclairage supplémentaire

9360-017 Extra lighting **Protective grating, transparent plastic**
Extra belysning; Zusatzbeleuchtung; Eclairage supplémentaire

9370-029 Extra warning lights/alarm
Extra varningsljus/-larm; Extra Warn-/Alarmluchte; Avertisseurs/dispositifs dalarmesupplémentaires'

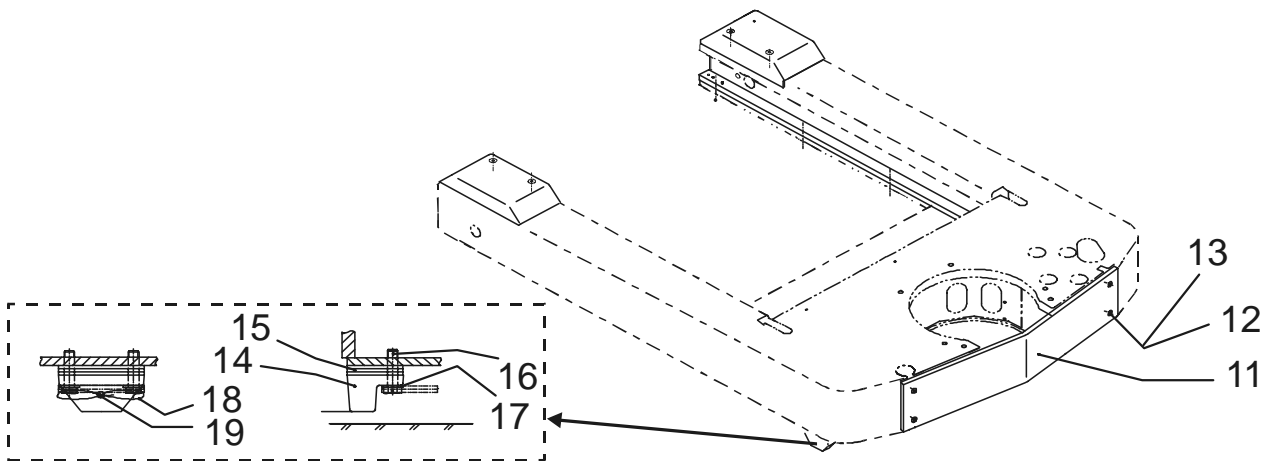


0450-028 Motor fixing points

[2002-02-12]

Motorupphängning/-fästen; Motoraufhängung/Halterung; Points de fixation moteur

Pos	Description	Pcs	Part No	Note
11	Screw Skruv; Schraube; Vis	6	20601	
12	Protection Skydd; Schutz; Protègee	2	167529	
13	Lamina Platta; Platten; Platine	1	147634	
14	O-ring O-ring; O-ring; Joint torique	2	21023	
15	Bush Bussning; Bague; Bague	4	147633	
16	Screw Skruv; Schraube; Vis	4	28519	
17	Screw Skruv; Schraube; Vis	4	20319	
18	Washer Bricka; Scheibe; Rondelle	4	60307	
19	Damper Dämpare; Dämpfer; Attenteur	4	168357	
20	Nut Mutter; Mutter; Ecrou	4	29590	
21	Bracket Fäste; Halterung; Support	2	149189	
22	Screw Skruv; Schraube; Vis	4	20351	
23	Washer Bricka; Scheibe; Rondelle	4	22553	



0840-077 Driver protection

[2002-02-12]

Förarskydd; Fahrerschutz; Protection de cariste

Pos	Description	Pcs	Part No	Note
			403 7FBRE 16 404 7FBRE 16C	435653 - 435653 -
11	Plate Plåt; Platte; Plaque	1	140767	
12	Nut Mutter; Mutter; Ecrou	4	29590	
13	Screw Skruv; Schraube; Vis	4	28344	
14	Distance piece Distans; Distanz; Distance	2	144098	
15	Shim(4 mm) Shims; Schim; Cale	6	144099	
16	Screw Skruv; Schraube; Vis	4	146834	
17	Washer Bricka; Scheibe; Rondelle	4	20228	
18	Locking wire Låstråd; Schlossdraht; Cheville	2	29759	
19	Closing stamp(Plastic) Plomberingsmärke(Plast); Verschlussmarke(Kunststoff); Plombage(Plastique)	2	20421	

1760-013 Electric drive motor

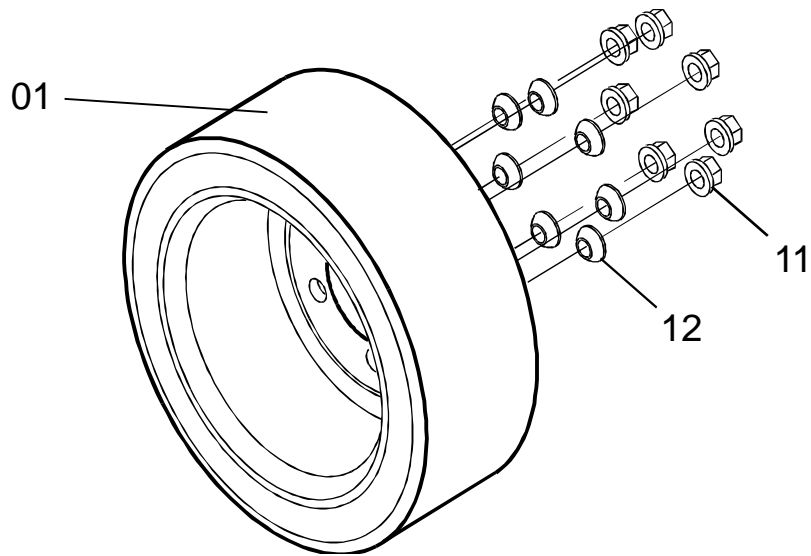
[2002-02-12]

Elektrisk åkmotor; Elektro-Fahrmotor; Moteur de traction électrique

Pos	Description	Pcs	Part No	Note
			403 7FBRE 16 404 7FBRE 16C	435653 - 435653 -
01	Motor(Complete) Motor(Komplett); Motor(Komplett); Moteur(Complet)	1	170359-130	
11	Locking ring Spårring; Schliessring; Circlip	3	20008	
12	Key Kil; Keil; Clavette	1	20666	
13	Washer Bricka; Scheibe; Rondelle	3	20375	
14	Shield Sköld; Schild; Bouclier	1	170364	
15	Screw Skruv; Schraube; Vis	6	160913-245	
16	Stator Stator; Ständer; Stator	1	160916-130	
17	Stay ring Stödring; Stutzring; Anneau de support	1	161035	
18	Ring Ring; Ring; Bague	1	161036	
19	Ball bearing Kullager; Kugellager; Roulement a billes	1	160918	
20	Cap Lock; Deckel; Couvercle	1	170365	
21	Rotor Rotor; Rotor; Rotor	1	164828	
22	Shield Sköld; Schild; Bouclier	1	170363	
23	Fan Fläkt; Kühlgebläse; Ventilateur	1	164831	
24	Nut Mutter; Mutter; Erou	6	20433	
25	Locking ring Spårring; Schliessring; Circlip	1	20359	
26	Bearing Lager; Lager; Roulement	1	25932	
27	Sleeve Hylsa; Hülse; Douille	1	151866	
28	Sealing ring Tätning; Dichtungsring; Bague d'étanchéité	1	29539	
29	Locking ring Spårring; Schliessring; Circlip	1	20009	
30	Locking ring Spårring; Schliessring; Circlip	1	20041	
31	Key Kil; Keil; Clavette	1	26547	
32	Nut Mutter; Mutter; Erou	3	20081	
33	Washer Bricka; Scheibe; Rondelle	3	22528	
34	Screw Skruv; Schraube; Vis	2	161038	
35	Bracket Fäste; Halterung; Support	1	170382	
36	Bracket Fäste; Halterung; Support	1	170383	
37	Terminal board Uttagsplint; Klemmbrett; Borne	1	170373	
38	Sealing Tätning; Dichtung; Joint	2	159224-002	
39	Contact housing Kontaktus; Kontaktvorrichtung; Engrenage de mise en action	1	159221-002	

3530-013

P0005710

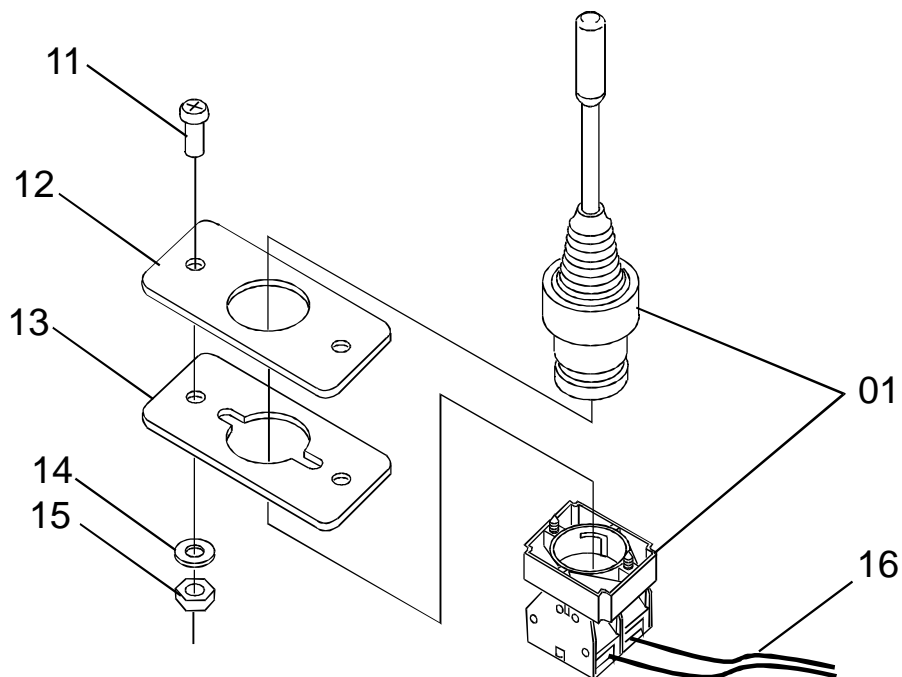


3530-013 Drive wheel

Drivhjul; Antriebsrad; Roue motrice

[2002-02-12]

Pos	Description	Pcs	Part No	Note
01	Drive wheel(Vulkollan) Drivhjul; Antriebsrad; Roue entrainement	1	151991	
11	Nut Mutter; Mutter; Ecrou	7	20776	
12	Washer Bricka; Scheibe; Rondelle	7	158341	



5320-009 Travel direction switch (separate)

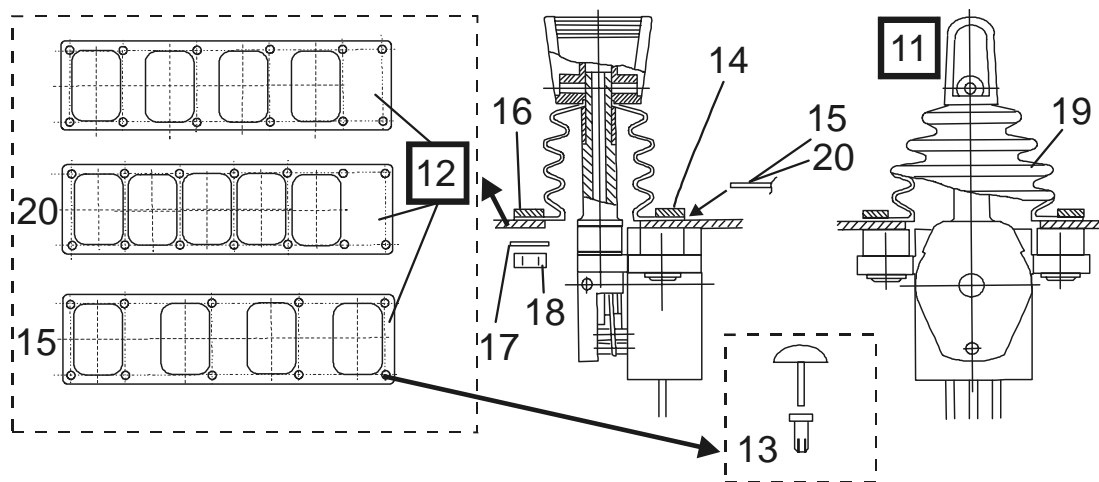
[2002-02-12]

Riktningväljare (separat); Richtungsschalter (separat); Sélecteur de direction (séparé)

Cold stores; Fryshus; Gefrieranlage; Chambre frigorifique			404 7FBRE 16C	435653 -
Pos	Description	Pcs	Part No	Note
01	Switch Brytare; Schalter; Rupteur	1	152982	
11	Screw Skruv; Schraube; Vis	2	29809	
12	Plate Plåt; Platte; Plaque	1	152732	
13	Plate Plåt; Platte; Plaque	1	152733	
14	Washer Bricka; Scheibe; Rondelle	2	21317	
15	Nut Mutter; Mutter; Ecrou	2	20257	
16	Wiring harness Kablage; Kabelsatz; Câblage	1	154312	

5510-083

P0015571



5510-083 Work function micro switches, potentiometers

[2002-02-12]

Arbetsfunktionsbrytare/-potentiometer; Schalter/Potentiometer Arbeitsfunktion; Rupteurs (switches)/ potentiomètres

Pos	Description	Pcs	Part No	Note
11	Joystick Joystick; Joystick; Joystick	4	201893	
12	Panel(Kit) Panel(Sats); Paneel(satz); Panneau(Jeux)	1	145137	
13	Nit(Plastic) Nit(Plast); Niet(Kunststoff); Rivet(Plastique)	4	29760	
14	Screw Skruv; Schraube; Vis	2	24354	
15	Packing Packning; Packung; Étanchage	1	153228	Cold stores Fryshus; Gefrieranlage; Chambre frigorifique
16	Screw Skruv; Schraube; Vis	2	24354	Cold stores Fryshus; Gefrieranlage; Chambre frigorifique
17	Washer Bricka; Scheibe; Rondelle	2	21307	Cold stores Fryshus; Gefrieranlage; Chambre frigorifique
18	Nut Mutter; Mutter; Ecrou	2	20235	Cold stores Fryshus; Gefrieranlage; Chambre frigorifique
19	Bellows(Rubber) Bälg(Gummi); Balg(Gummi); Soufflet(Gomme)	4	151474-001	
20	Packing Packning; Packung; Étanchage	1	161090	Cold stores Fryshus; Gefrieranlage; Chambre frigorifique

CLICK HERE TO **DOWNLOAD** THE COMPLETE MANUAL

- Thank you very much for reading the preview of the manual.
- You can download the complete manual from: www.heydownloads.com by clicking the link below

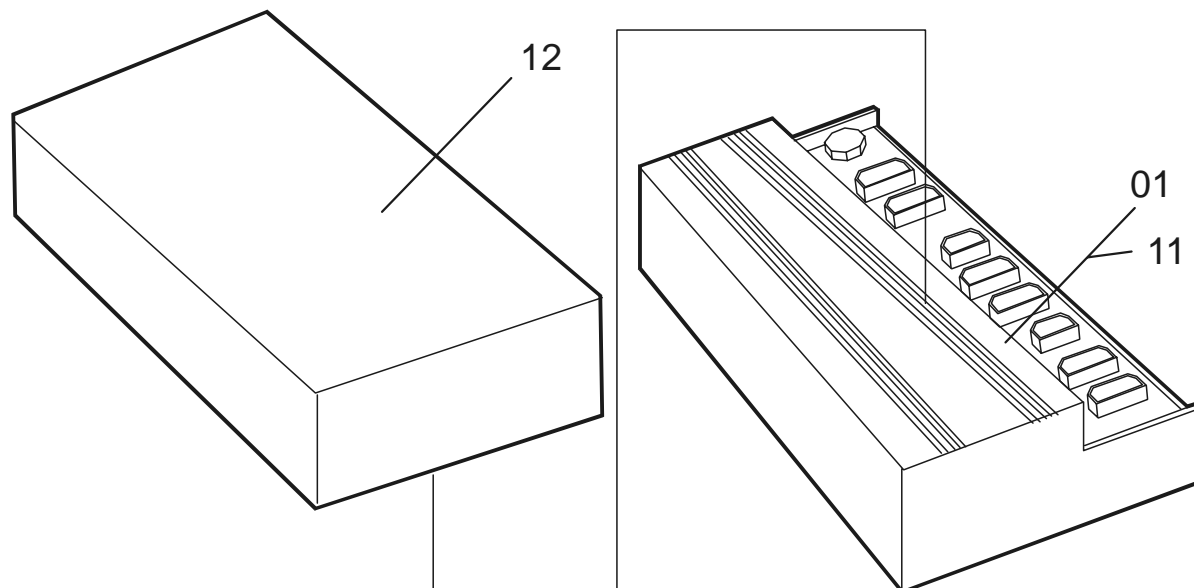


- Please note: If there is no response to CLICKING the link, please download this PDF first and then click on it.

CLICK HERE TO **DOWNLOAD** THE COMPLETE MANUAL

5710-081

P0015525



5710-081 Drive/multi-function PCBs

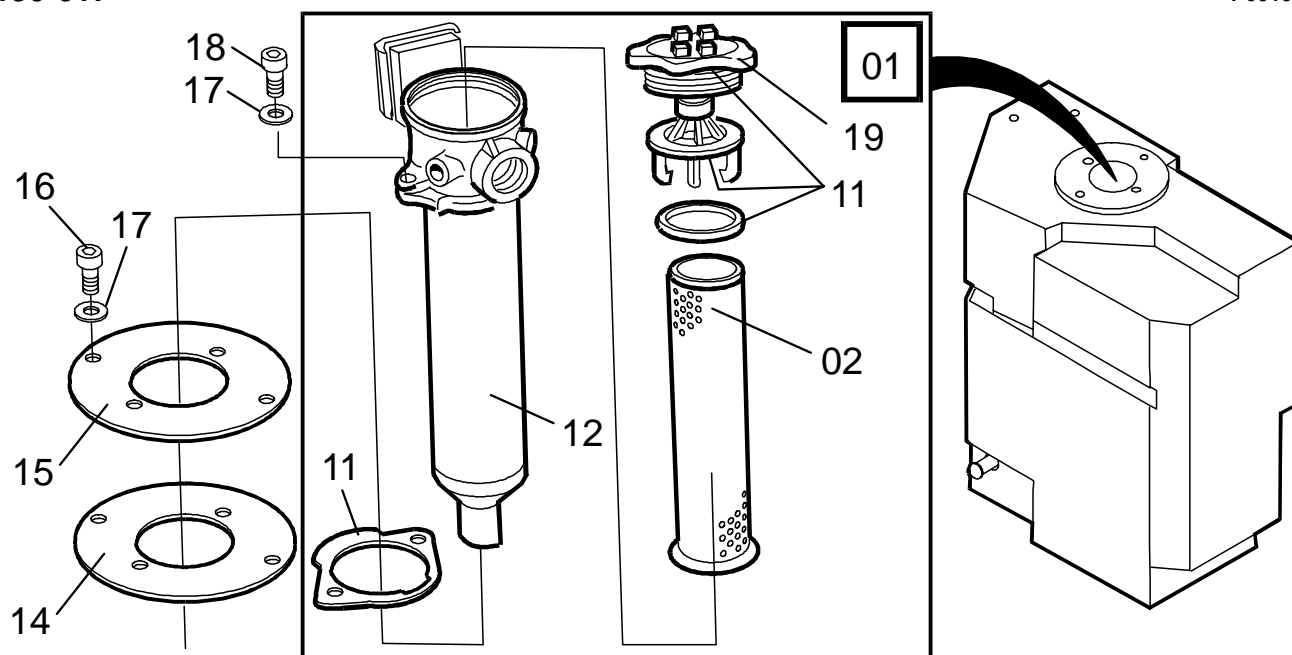
[2002-02-12]

Elektronikkort åkning/kombination; Elektronikkarten Fahren/kombination; Cartes électroniques déplacement/combinaison

Pos	Description	Pcs	Part No	Note
			403 7FBRE 16 404 7FBRE 16C	435653 - 435653 -
01	Logic box(Complete) Logikbox(Komplett); Steuerbox(Komplett); Boite de lougique(Complet)	1	170600-501	
11	Logic box(Without program software) Logikbox(Utan programvara); Steuerbox(Ohne programmierung); Boite de lougique(Sans programme)	1	169937-001	Without program software Utan programvara; Ohne program- mierung; Sans programme
12	Housing Kåpa; Haus; Chape	1	161140	Cold stores Fryshus; Gefrieranlage; Chambre frigor- ifique

6130-017

P0010610

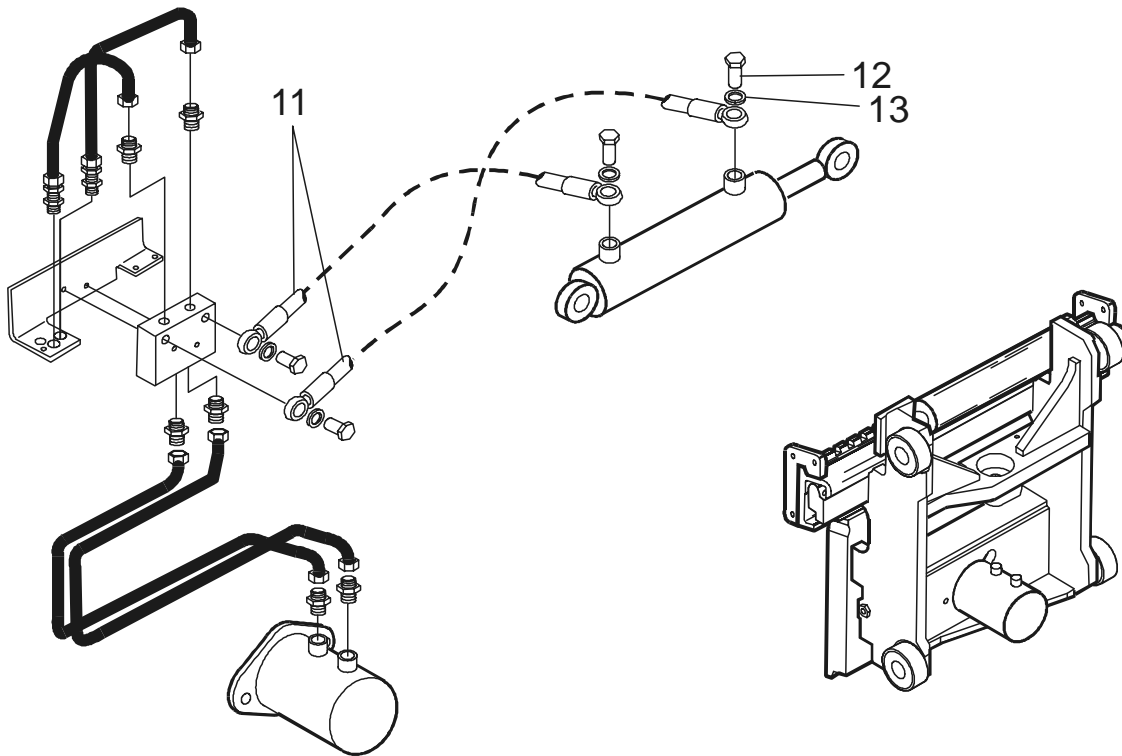


6130-017 Filters and housing

Filter, filterhus; Filter, Gehäuse; Filtres, logement de filtre

[2002-02-12]

Pos	Description	Pcs	Part No	Note
			403 7FBRE 16 404 7FBRE 16C	435653 - 435653 -
01	Filter(Complete) Filter(Komplett); Filter(Komplett); Filtre(Comple)	1	172332	
01	Filter(Complete) Filter(Komplett); Filter(Komplett); Filtre(Comple)	1	172333	Cold stores Fryshus; Gefrieranlage; Chambre frigorifique
02	Filter Filter; Filter; Filtre	1	138926	
11	Packing set Packningssats; Packungssatz; Jeux d' étanchéité.	1	173469	
12	Pipe Rör; Rohr; Tube	1	173470	
14	Packing Packning; Packung; Étanchage	1	150291	
15	Plate Plåt; Platte; Plaque	1	148368	
16	Screw Skruv; Schraube; Vis	2	20184	
17	Washer Bricka; Scheibe; Rondelle	2	22553	
18	Screw Skruv; Schraube; Vis	2	20276	
19	Cap Lock; Deckel; Couvercle	1	163658	



6320-136 Mast hydraulic lines

[2002-02-12]

Stativhydraulledningar; Hydraulikleitungen Hubeinrichtung; Circuits hydrauliques mât

Pos	Description	Pcs	Part No	Note
			403 7FBRE 16 404 7FBRE 16C	435653 - 435653 -
11	Hose Slang; Schlauch; Tuyau flexible	2	152761	
12	Hollow screw Hålskruv; Hohlschraube; Vis à torage	4	182904	
13	Sealing Tätning; Dichtung; Joint	4	181757	

6370-004 Mast hose reel/ swivel joint

[2002-02-12]

Stativslangvinda/ vippstycke; Schlauchtrommel, Schwenkkupplung Hubeinrichtung; Enrouleur/ joint tournant mât

Lift height <= 7000 mm; Lyfthöjd <= 7000 mm; Hubhöhe <= 7000 mm; De élévation <= 7000 mm		403 7FBRE 16 404 7FBRE 16C	435653 - 435653 -	
Pos	Description	Pcs	Part No	Note
11	Swivel Svivel; Wirbel; Emerillon	1	21876	4-5 Functions, left 4-5 Funktioner, vänster; 4-5 Funktion, links; 4-5 Fonction, gauge
12	Screw Skruv; Schraube; Vis	2	20184	4-5 Functions, left 4-5 Funktioner, vänster; 4-5 Funktion, links; 4-5 Fonction, gauge
13	Washer Bricka; Scheibe; Rondelle	2	20404	4-5 Functions, left 4-5 Funktioner, vänster; 4-5 Funktion, links; 4-5 Fonction, gauge
14	Swivel Svivel; Wirbel; Emerillon	1	21876	4-5 Functions, right 4-5 Funktioner, höger; 4-5 Funktion, recht; 4-5 Fonction, droit
15	Screw Skruv; Schraube; Vis	2	20184	4-5 Functions, right 4-5 Funktioner, höger; 4-5 Funktion, recht; 4-5 Fonction, droit
16	Washer Bricka; Scheibe; Rondelle	2	20404	4-5 Functions, right 4-5 Funktioner, höger; 4-5 Funktion, recht; 4-5 Fonction, droit
17	Bracket Fäste; Halterung; Support	1	154436	4-5 Functions, right 4-5 Funktioner, höger; 4-5 Funktion, recht; 4-5 Fonction, droit
18	Screw Skruv; Schraube; Vis	2	23924	
19	Washer Bricka; Scheibe; Rondelle	2	20348	
20	Hose reel, complete Slangvinda, komplett; Schlauchrolle, Komplett; Roleau de tuyau flexible, complet	1	126910	4-5 Functions, left 4-5 Funktioner, vänster; 4-5 Funktion, links; 4-5 Fonction, gauge
21	Hose reel Slangvinda; Schlauchrolle; Roleau de tuyau flexible	1	22251	4-5 Functions, left 4-5 Funktioner, vänster; 4-5 Funktion, links; 4-5 Fonction, gauge
22	Screw Skruv; Schraube; Vis	6	22337	
23	Washer Bricka; Scheibe; Rondelle	6	21393	
24	Distance piece(Stainless Steel) Distans(Rostfri); Distanz(Nichtrostende); Distance(Inoxydable)	1	109898	
25	Roller Rulle; Rolle; Roleau	1	72138	
26	Spring Fjäder; Feder; Ressort	1	147007	
27	Hub Nav; Nabe; Moyeu	1	22512	
28	Packing set Packningssats; Packungssatz; Jeux d' étanchéité.	1	132276	
29	Hose(Double) Slang(Dubbel); Schlauch(Doppel); Tuyau flexible(Double)	1	22253	
30	Bracket Fäste; Halterung; Support	1	124847	
31	Screw Skruv; Schraube; Vis	4	21935	
32	Washer Bricka; Scheibe; Rondelle	4	20404	
33	Hose reel, complete Slangvinda, komplett; Schlauchrolle, Komplett; Roleau de tuyau flexible, complet	1	126909	4-5 Functions, right 4-5 Funktioner, höger; 4-5 Funktion, recht; 4-5 Fonction, droit
34	Hose reel Slangvinda; Schlauchrolle; Roleau de tuyau flexible	1	22252	4-5 Functions, right 4-5 Funktioner, höger; 4-5 Funktion, recht; 4-5 Fonction, droit
35	Connection Koppling; Kupplung; Raccord	2	28859	

Pos	Description	Pcs	Part No	Note
13	Distance piece(30 x 42 x 0,5) Distans; Distanz; Distance		21884	Lift height = 4400 mm - 5700 mm Lyfthöjd = 4400 mm - 5700 mm; Hubhöhe = 4400 mm - 5700 mm; De élévation = 4400 mm - 5700 mm
13	Distance piece(30 x 42 x 1,0) Distans; Distanz; Distance		21885	Lift height = 4400 mm - 5700 mm Lyfthöjd = 4400 mm - 5700 mm; Hubhöhe = 4400 mm - 5700 mm; De élévation = 4400 mm - 5700 mm
13	Distance piece(35x45x0,1) Distans; Distanz; Distance		21948	Lift height = 6300 mm - 9500 mm Lyfthöjd = 6300 mm - 9500 mm; Hubhöhe = 6300 mm - 9500 mm; De élévation = 6300 mm - 9500 mm
13	Distance piece(35x45x0,2) Distans; Distanz; Distance		21949	Lift height = 6300 mm - 9500 mm Lyfthöjd = 6300 mm - 9500 mm; Hubhöhe = 6300 mm - 9500 mm; De élévation = 6300 mm - 9500 mm
13	Distance piece(35x45x0,3) Distans; Distanz; Distance		21950	Lift height = 6300 mm - 9500 mm Lyfthöjd = 6300 mm - 9500 mm; Hubhöhe = 6300 mm - 9500 mm; De élévation = 6300 mm - 9500 mm
13	Distance piece(35x45x0,5) Distans; Distanz; Distance		21951	Lift height = 6300 mm - 9500 mm Lyfthöjd = 6300 mm - 9500 mm; Hubhöhe = 6300 mm - 9500 mm; De élévation = 6300 mm - 9500 mm
13	Distance piece(35x45x1,0) Distans; Distanz; Distance		27805	Lift height = 6300 mm - 9500 mm Lyfthöjd = 6300 mm - 9500 mm; Hubhöhe = 6300 mm - 9500 mm; De élévation = 6300 mm - 9500 mm

Pos	Description	Pcs	Part No	Note
31	Fork carriage Gaffelvagn; Gabelwagen; Chariot porte-fourche	1	151701	Lift height = 4400 mm - 5700 mm Lyfthöjd = 4400 mm - 5700 mm; Hub- höhe = 4400 mm - 5700 mm; De éléva- tion = 4400 mm - 5700 mm

TOYOTA

9170-024

Pos	Description	Pcs	Part No	Note
21	Locking ring Spårring; Schliessring; Circlip	4	2240CAA	
22	Pin Tapp; Zapfen; Pivot	2	3535CAA	Welding Svetsning; Schweisserei; Soudage
23	Ear Öra; Halter; Etrier	4	3616CAA	Welding Svetsning; Schweisserei; Soudage
24	Ear Öra; Halter; Etrier	4	3617CAA	Welding Svetsning; Schweisserei; Soudage
25	Valve Ventil; Ventil; Soupape	2	826007CAA	
26	Cylinder(Complete) Cylinder(Komplett); Zylinder(Komplett); Verin(Comple)	2	1194-900CAA	
27	Packing set Packningssats; Packungssatz; Jeux d' étanchéité.	2	1120CAA	
28	Locking ring Spårring; Schliessring; Circlip	4	2703CAA	
29	Bearing Lager; Lager; Roulement	4	2598CAA	
30	Nut Mutter; Mutter; Erou	2	2209CAA	
31	Washer Bricka; Scheibe; Rondelle	2	3432CAA	
32	Piston Kolv; Kolben; Piston	2	3433CAA	
33	Washer Bricka; Scheibe; Rondelle	2	3432CAA	
34	Piston rod Kolvstång; Kolbenstange; Tige de piston	2	3648-900CAA	
35	Cylinder pipe Cylinderrör; Zylinderrohr; Tube de cylindre	2	3647-900CAA	
36	Guide Styrning; Steuerung; Guidage	2	3428CAA	
37	Washer Bricka; Scheibe; Rondelle	2	3427CAA	
38	Locking ring Spårring; Schliessring; Circlip	2	2702CAA	

9390-030 Positioning/TV equip., height preselector

[2002-02-12]

Positionerings-/TV-utrustn., höjdförval; Positionier-/TV-Anlage, Höhenvorwahl; Equip.positionnement/
vidéo,présélecteur de hauteur

Pos	Description	Pcs	Part No	Note
			403 7FBRE 16 404 7FBRE 16C	435653 - 435653 -
01	Camera - TV-monitor(Kit) Kamera - TV-monitor(Sats); Kamera - TV-monitor(satz); Caméra - TV-moniteur(Jeux)	1	202206	Without mast-wiring harness TV, see page 5590 Utan stativ-kablage TV, se sidan 5590; Ohne Hubgerüst-kabelsatz TV, sehen Sie seite 5590; Sans mât-câblage TV, regard la page 5590
11	Clamp Klamma; Rohrschelle; Collier	2	156268-002	
12	Screw Skruv; Schraube; Vis	2	20333	
13	Protection Skydd; Schutz; Protègee	1	162115	
14	Wiring harness Kablage; Kabelsatz; Câblage	1	157606	
15	Camera Kamera; Kamera; Caméra	1	157604	
16	Screw Skruv; Schraube; Vis	1	20188	
17	Nut Mutter; Mutter; Ecrou	4	20433	
18	Screw Skruv; Schraube; Vis	2	29918	
19	Bracket Fäste; Halterung; Support	1	164204	
20	TV - monitor(Complete) TV - monitor(Komplett); Monitor(Komplett); Moniteur(Complet)	1	157605	
21	Damper Dämpare; Dämpfer; Attenteur	4	21997	
22	Screw Skruv; Schraube; Vis	2	20532	
23	Washer Bricka; Scheibe; Rondelle	2	20375	
24	Nut Mutter; Mutter; Ecrou	2	20433	
25	Bracket Fäste; Halterung; Support	1	178193	
26	Bracket Fäste; Halterung; Support	1	201360	
27	Screw Skruv; Schraube; Vis	2	20460	
28	Nut Mutter; Mutter; Ecrou	2	20016	
29	Transformer Transformator; Transformator; Transformateur	1	149201-001	
30	Bracket Fäste; Halterung; Support	1	175129	
31	Screw Skruv; Schraube; Vis	4	20725	
32	Nut Mutter; Mutter; Ecrou	4	25699	
33	Screw Skruv; Schraube; Vis	2	20439	
34	Wiring harness Kablage; Kabelsatz; Câblage	1	201724	
35	Wiring harness Kablage; Kabelsatz; Câblage	1	157608	
36	Clamp Klamma; Rohrschelle; Collier	9	20942	

CLICK HERE TO **DOWNLOAD** THE COMPLETE MANUAL

- Thank you very much for reading the preview of the manual.
- You can download the complete manual from: www.heydownloads.com by clicking the link below



- Please note: If there is no response to CLICKING the link, please download this PDF first and then click on it.

CLICK HERE TO **DOWNLOAD** THE COMPLETE MANUAL