

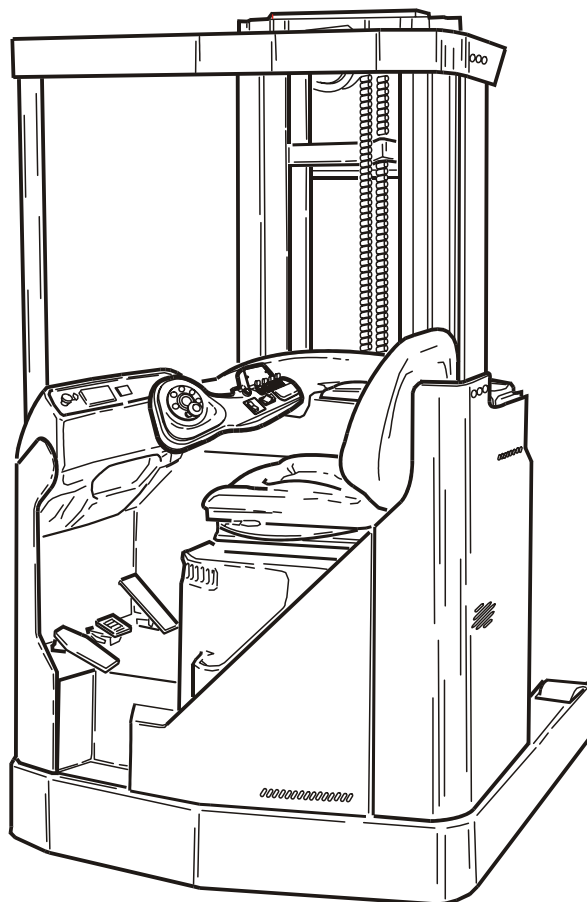
TOYOTA

Reach truck 7FBRE12N(-1)(-2)(-3)(C)

Valid for machine number: 939261 -

Only valid for machine number:

--	--	--	--	--	--	--	--



Spare Parts Catalogue

Ordering number 232639

Date 2006-04-03 / ESIF

CLICK HERE TO **DOWNLOAD** THE COMPLETE MANUAL

- Thank you very much for reading the preview of the manual.
- You can download the complete manual from: www.heydownloads.com by clicking the link below



- Please note: If there is no response to CLICKING the link, please download this PDF first and then click on it.

CLICK HERE TO **DOWNLOAD** THE COMPLETE MANUAL

TOYOTA

9370-00064	Extra warning lights/alarm Extra varningsljus/-larm; Extra Warn-/ Alarmleuchte; Avertisseurs/dispositifs d'alarme supplémentaires;	
9380-00001	Charger attachment Laddartillsats; Zusatzladegerät; Chargeur supplémentaire;	Acid circulation
9500-00007	Other extra equipment Extra utrustning övrigt; Zusatzausrüstung Sonstiges; Autre équipement supplémentaire;	Sideshift
9500-00071	Other extra equipment Extra utrustning övrigt; Zusatzausrüstung Sonstiges; Autre équipement supplémentaire;	Writing table
9500-00441	Other extra equipment Extra utrustning övrigt; Zusatzausrüstung Sonstiges; Autre équipement supplémentaire;	Fork distance
9500-00570	Other extra equipment Extra utrustning övrigt; Zusatzausrüstung Sonstiges; Autre équipement supplémentaire;	Load support
9550-00023	Battery changing equipment Batteribytesanordning; Batteriewechselvorrichtung; Equipement de chargement batterie;	Wiring harness

0620-00090 Seat, cushions

[2006-04-03]

Förarstol, dynor; Fahrersitz, Kissen; Siège, coussins de siège/dossier;

Pos	Description	Pcs	Part No	Note
			689 7FBRE12N 690 7FBRE12NC	939261 - 939261 -
11	Seat complete(Heated 48v / vinyl) Stol kpl.(El-uppvärmd 48v / vinyl); Sitz kpl.(EL, Erwärmung 48v / vinyl); Siege cpl.(Chauffage él 48v / vinyle)	1	201535-004	
11	Seat complete(Textile) Stol kpl.(Textil); Sitz kpl.(Textil); Siege cpl.(Textile)	1	201535-005	
12	Seat cushion(Heated 48v / vinyl) Sittdyna(El-uppvärmd 48v / vinyl); Sitzkissen(EL, Erwärmung 48v / vinyl); Siége(Chauffage él 48v / vinyle)	1	138300GAG	
12	Seat cushion(Textile) Sittdyna(Textil); Sitzkissen(Textil); Siége(Textile)	1	220237-001	
13	Back rest(Heated 48v / vinyl) Ryggdyna(El-uppvärmd 48v / vinyl); Rückenlehne(EL, Erwärmung 48v / vinyl); Dossier(Chauffage él 48v / vinyle)	1	138287GAG	
13	Back rest(Textile) Ryggdyna(Textil); Rückenlehne(Textil); Dossier(Textile)	1	220237-002	
14	Switch Brytare; Schalter; Rupteur	1	232918	
15	Housing Kåpa; Haus; Chape	1	162047	
16	Repair kit Reparationssats; Reparatursatz; Kit de réparation	1	162048	
17	Lever Spak; Hebel; Levier	1	162035	
18	Housing Kåpa; Haus; Chape	1	162036	
19	Damper(Kit) Dämpare(Sats); Dämpfer(satz); Attenteur(Jeux)	1	162039	
20	Repair kit Reparationssats; Reparatursatz; Kit de réparation	1	162038	
21	Lever Spak; Hebel; Levier	1	162045	
22	Housing Kåpa; Haus; Chape	1	162037	
23	Wire Wire; Drahtseil; Filament	1	162046	
24	Gas suspension Gasfjäder; Gasfederung; Suspension à gaz	1	162040	
25	Spring Fjäder; Feder; Ressort	1	162041	
26	Arm Arm; Arm; Bras	1	162044	
27	Arm Arm; Arm; Bras	1	162042	
28	Bracket(Kit) Fäste(Sats); Halterung(satz); Support(Jeux)	1	162043	
29	Bar(Kit) Skena(Sats); Stab(satz); Barre(Jeux)	1	162050	
30	Safety belt(Rolled) Säkerhetsbälte(Rullande); Stehgurt(Rollen); Ceinture de sécurité(Roulant)	1	162031	
30	Safety belt(Without roller) Säkerhetsbälte(Utan rulle); Stehgurt(Ohne rolle); Ceinture de sécurité(Sans roleau)	1	162032	
31	Screw Skruv; Schraube; Vis	2	21159	
32	Distance piece Distans; Distanz; Distance	4	146334	
33	Washer Bricka; Scheibe; Rondelle	4	20404	
34	Nut Mutter; Mutter; Ecrou	4	20016	
35	Screw Skruv; Schraube; Vis	2	161936	

TOYOTA

0680-00195

Pos	Description	Pcs	Part No	Note
15	Protection Skydd; Schutz; Protègee	1	165404	
16	Nut Mutter; Mutter; Ecrou	4	127035-003	
17	Washer Bricka; Scheibe; Rondelle	2	29758	
18	Screw Skruv; Schraube; Vis	4	20938	
19	Cushion Dyna; Kissen; Coussin	1	143294	
20	Panel Panel; Paneel; Panneau	1	143292	
21	Screw Skruv; Schraube; Vis	2	29810	
22	Washer Bricka; Scheibe; Rondelle	2	20404	
23	Nut Mutter; Mutter; Ecrou	2	20016	
24	Carpet Matta; Teppisch; Tapis	1	161841	
25	Skidding protection Halkskydd; Rutschabdeckung; Dispositif antidérapant	1	143287	
26	Foot step Fotsteg; Fusstritt; Marchepied	1	141917	
27	Screw Skruv; Schraube; Vis	2	20401	
29	Skidding protection Halkskydd; Rutschabdeckung; Dispositif antidérapant	1	143286	
30	Panel Panel; Paneel; Panneau	1	144377-003	
31	Screw Skruv; Schraube; Vis	1	20938	
32	Washer Bricka; Scheibe; Rondelle	1	29758	
33	Nut Mutter; Mutter; Ecrou	1	127035-003	
34	Panel Panel; Paneel; Panneau	1	162563	
36	Frame Ram; Rahmen; Cadre	2	133416	
37	Cover Lock; Deckel; Couvercle	2	132577	
38	Screw Skruv; Schraube; Vis	2	29810	
39	Nut Mutter; Mutter; Ecrou	2	28930	
44	Bracket Fäste; Halterung; Support	1	165403	
45	List List; Leiste; Bande	1	147736	
46	Plate Plåt; Platte; Plaque	1	211881	

0850-00286 Signs, warnings, decals

[2006-04-03]

Skyltar, varningar, dekaler; Schilder, Warnzeichen, Aufkleber; Vignettes, avertissements, autocollants;

Pos	Description	Pcs	Part No	Note
			689 7FBRE12N 690 7FBRE12NC	939261 - 939261 -
12	Sign(12) Skylt; Schild; Vignette	2	169528	
13	Sign(14) Skylt; Schild; Vignette	2	169529	
14	Sign Skylt; Schild; Vignette	1	121787-002	
15	Sign Skylt; Schild; Vignette	1	121786-002	
16	Sign Skylt; Schild; Vignette	4	168719	
17	Sign Skylt; Schild; Vignette	2	209365	
18	Sign Skylt; Schild; Vignette	1	156687	
19	Sign Skylt; Schild; Vignette	2	121786-002	
20	Sign Skylt; Schild; Vignette	1	201001	
21	Sign Skylt; Schild; Vignette	2	207746	
22	Sign Skylt; Schild; Vignette	1	72082	
23	Sign Skylt; Schild; Vignette	1	145422	
24	Sign Skylt; Schild; Vignette	1	145423	Sideshift
25	Sign Skylt; Schild; Vignette	1	165610	Fork positioner Gaffelspridning; Zinkenverstell, gabel; Fourche, régler latéral
26	Sign Skylt; Schild; Vignette	1	156698	Cold stores Fryshus; Gefrieranlage; Chambre frigorifique

4310-00026 Electric steering wheel/lever

[2006-04-03]

Elektr.ratt/-spakstyrning; Elektro-lenkrad/-hebellenkung; Timon/volant de direction électrique;

Pos	Description	Pcs	Part No	Note
			689 7FBRE12N 690 7FBRE12NC	939261 - 939261 -
11	Panel Panel; Paneel; Panneau	1	143228	
12	Panel Panel; Paneel; Panneau	1	143229	
13	Screw Skruv; Schraube; Vis	1	28334	
14	Washer Bricka; Scheibe; Rondelle	1	21394	
15	Nut Mutter; Mutter; Ecrou	1	20096	
16	Washer Bricka; Scheibe; Rondelle	1	135459	
17	Nut Mutter; Mutter; Ecrou	1	20016	
18	Washer Bricka; Scheibe; Rondelle	1	20404	
19	Spinner Spinnare; Lenkfleier; Poignée volant	1	141840	
20	Steering wheel Ratt; Lenkrad; Volant	1	200637	D = 200 mm
21	Locking ring Spårring; Schliessring; Circlip	1	20009	
22	O-ring O-ring; O-ring; Joint torique	1	20620	
23	Ball bearing Kullager; Kugellager; Roulement a billes	1	28300	
23	Ball bearing Kullager; Kugellager; Roulement a billes	1	29878	Cold stores Fryshus; Gefrieranlage; Chambre frigorifique
24	Bearing bracket Lagerhållare; Lagerhalten; Support de roulement	1	135461	
25	Locking ring Spårring; Schliessring; Circlip	1	20008	
26	Screw Skruv; Schraube; Vis	4	29815	
27	Motor Motor; Motor; Moteur	1	179738	
28	Screw Skruv; Schraube; Vis	1	29679	
29	Washer Bricka; Scheibe; Rondelle	1	20404	
30	Lever Spak; Hebel; Levier	1	142422-008	
31	Consol Konsol; Konsole; Console	1	147319	
32	Arm Arm; Arm; Bras	1	142410	
33	Lever Spak; Hebel; Levier	1	140808-002	
34	Bracket Fäste; Halterung; Support	1	143221	
35	Bush Bussning; Bague; Bague	2	138886	
36	Locking ring Spårring; Schliessring; Circlip	1	20041	
37	Gas suspension Gasfjäder; Gasfederung; Suspension à gaz	1	143224	
38	Locking pin Spännstift; Spannstift; Goupille	2	28825	
39	Wire(S = 529 mm) Wire; Drahtseil; Filament	1	143488-002	

CLICK HERE TO **DOWNLOAD** THE COMPLETE MANUAL

- Thank you very much for reading the preview of the manual.
- You can download the complete manual from: www.heydownloads.com by clicking the link below

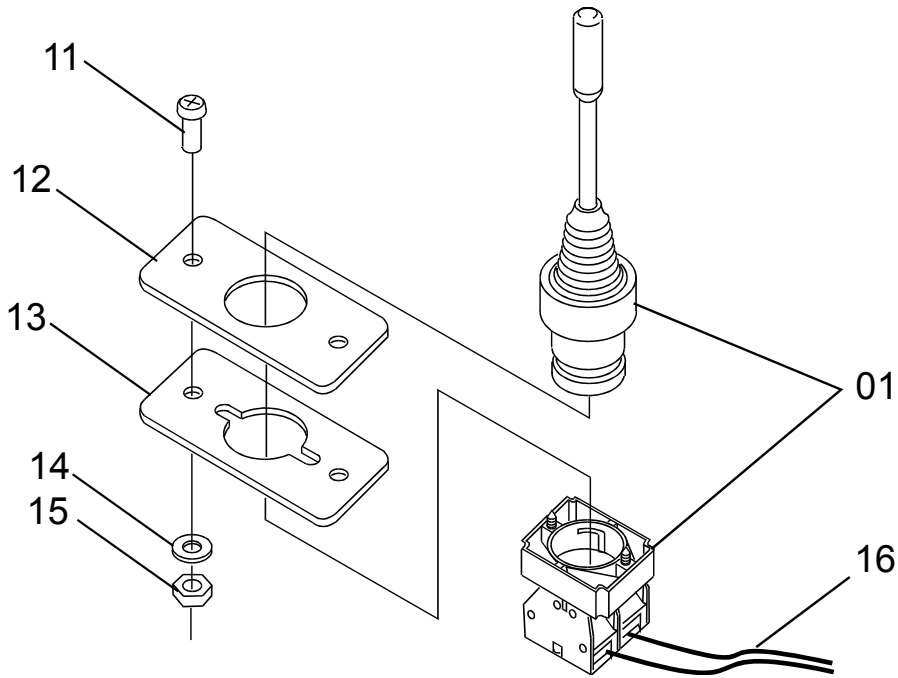


- Please note: If there is no response to CLICKING the link, please download this PDF first and then click on it.

CLICK HERE TO **DOWNLOAD** THE COMPLETE MANUAL

5320-00009

P0004694



5320-00009 Travel direction switch (separate)

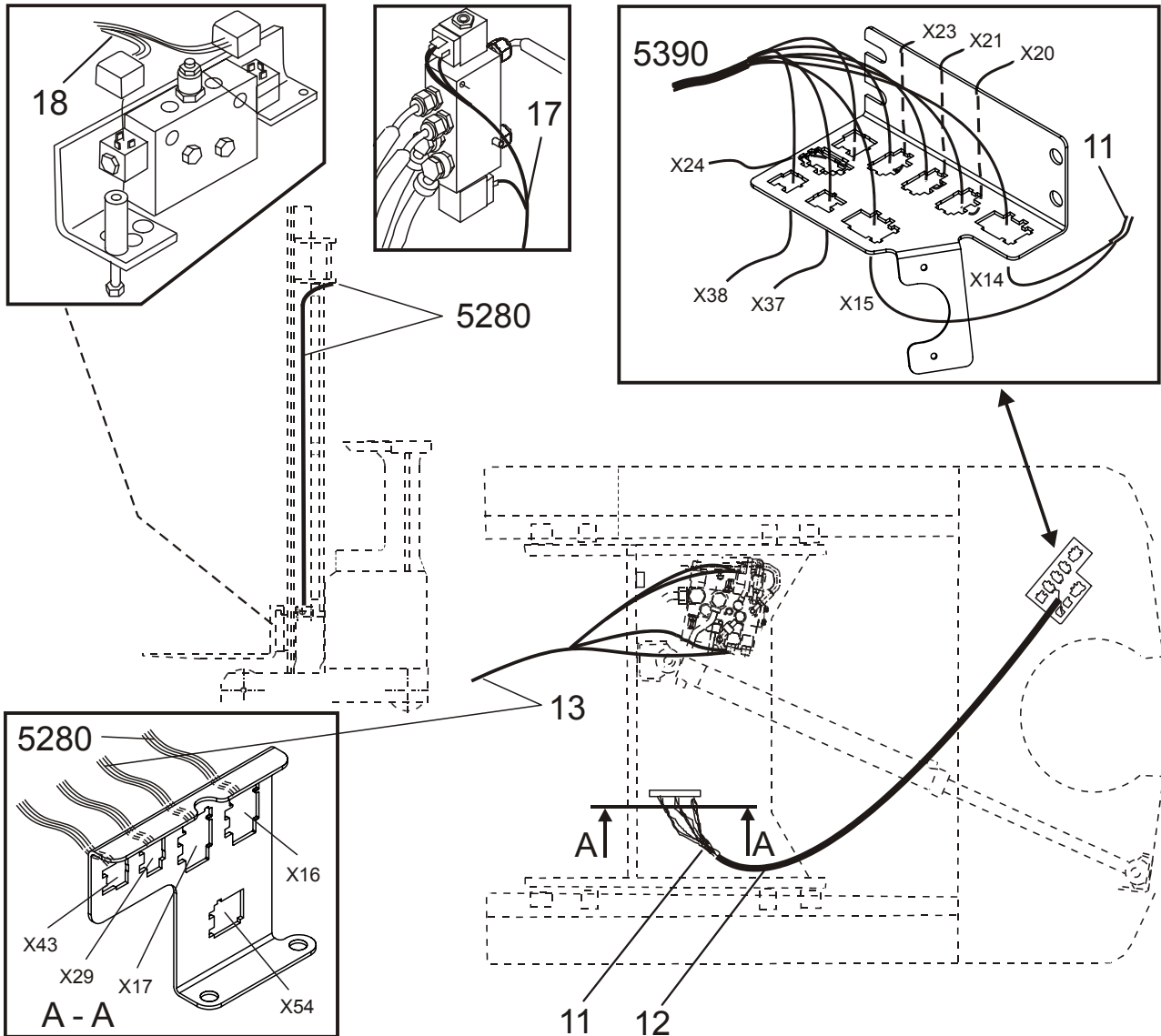
[2006-04-03]

Riktningväljare (separat); Richtungsschalter (separat); Sélecteur de direction (séparé);

Cold stores; Fryshus; Gefrieranlage; Chambre frigorifique			690 7FBRE12NC	939261 -
Pos	Description	Pcs	Part No	Note
01	Switch Brytare; Schalter; Rupteur	1	152982	
11	Screw Skruv; Schraube; Vis	2	29809	
12	Plate Plåt; Platte; Plaque	1	152732	
13	Plate Plåt; Platte; Plaque	1	152733	
14	Washer Bricka; Scheibe; Rondelle	2	21317	
15	Nut Mutter; Mutter; Ecrou	2	20257	
16	Wiring harness Kablage; Kabelsatz; Câblage	1	154312	

5590-00259

P0025402



5590-00259 Work function harnesses/fuse

[2006-04-03]

Arbeitsfunktionskablage/-säkring; Steuerstromverkabelung/-sicherung; Câblage/fusible fonction de travail;

Pos	Description	Pcs	Part No	Note
			689 7FBRE12N 690 7FBRE12NC	939261 - 939261 -
11	Wiring harness Kablage; Kabelsatz; Câblage	1	216652	
11	Wiring harness Kablage; Kabelsatz; Câblage	1	216653	Cold stores Fryshus; Gefrieranlage; Chambre frigorifique
12	Hose Slang; Schlauch; Tuyau flexible	3	145351-016	
13	Wiring harness Kablage; Kabelsatz; Câblage	1	160254	Main valve Huvudventil; Hauptventile; Soupape principal
17	Wiring harness Kablage; Kabelsatz; Câblage	1	216655	5 - 6 Functions 5 - 6 Funktioner; 5 - 6 Funktion; 5 - 6 Fonction
18	Wiring harness Kablage; Kabelsatz; Câblage	1	152685	Sideshift

6230-00031 Hydraulic lines chassis

[2006-04-03]

Chassimonterade hydraulledning; Hydraulikleitungen Chassis; Circuits hydrauliques châssis;

Pos	Description	Pcs	Part No	Note
			689 7FBRE12N 690 7FBRE12NC	939261 - 939261 -
11	Hose(Meter) Slang(Meter); Schlauch(Meter); Tuyau flexible(Metre)		28108	
12	Connection Koppling; Kupplung; Raccord	1	127927-008	
13	Connection Koppling; Kupplung; Raccord	1	139788-018	
14	Connection Koppling; Kupplung; Raccord	1	29717	
15	Hose Slang; Schlauch; Tuyau flexible	2	169508	
16	Hollow screw Hålskruv; Hohlschraube; Vis à torage	2	29639	
17	Screw Skruv; Schraube; Vis	2	20871	
18	Clamp Klamma; Rohrschelle; Collier	2	164218	
19	Screw Skruv; Schraube; Vis	2	20928	
20	Nut Mutter; Mutter; Ecrou	2	20433	
21	Plug Plugg; Pfropf; Bouchon	1	23605	
22	Sealing Tätning; Dichtung; Joint	1	23062	
23	Screw Skruv; Schraube; Vis	2	24609	
24	Screw Skruv; Schraube; Vis	2	22288	
25	Washer Bricka; Scheibe; Rondelle	4	20375	
26	Connection Koppling; Kupplung; Raccord	1	145269	
27	Nipple Nippel; Nippel; Nipple	1	117430-008	
28	Connection Koppling; Kupplung; Raccord	1	29631	
29	Hose Slang; Schlauch; Tuyau flexible	1	174957	
30	Hose Slang; Schlauch; Tuyau flexible	1	169510	
31	Sealing ring Tätningsring; Dichtungsring; Bague d'étanchéité	1	20517	
32	Connection Koppling; Kupplung; Raccord	1	29720	
33	Clamp Klamma; Rohrschelle; Collier	4	28937	
34	Hose protection(Meter) Slangskydd(Meter); Schlauchschutz(Meter); Protection de tuyau flexible(Metre)		145409	
35	Hose Slang; Schlauch; Tuyau flexible	1	142462-001	
36	Connection Koppling; Kupplung; Raccord	2	28261	
37	Plate Plåt; Platte; Plaque	1	166882	
38	Connection(Non return valve) Koppling(Backventil); Kupplung(Rückschlagklappe); Raccord(Clapet de retenue)	1	170732-003	
39	Connection(Non return valve) Koppling(Backventil); Kupplung(Rückschlagklappe); Raccord(Clapet de retenue)	1	170732-002	

6610-00040 Main lift cylinders

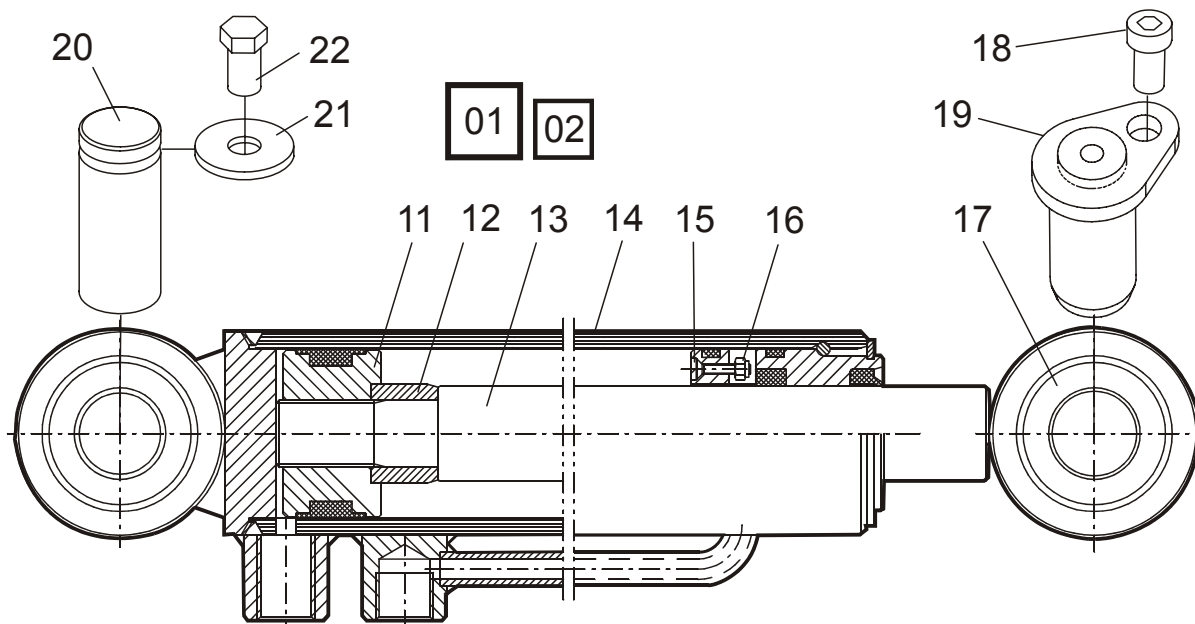
[2006-04-03]

Huvudlyftcylindrar; Haupthubzylinder; Vérin de levage principal;

Duplex Hi - Lo		689 7FBRE12N 690 7FBRE12NC	939261 - 939261 -	
Pos	Description	Pcs	Part No	Note
01	Lifting cylinder compl(L = 1939 mm) Lyftcylinder kompl.; Hubzylinder Kompl.; Verin de levage compl.	2	140477-335	
01	Lifting cylinder compl(L = 2149 mm) Lyftcylinder kompl.; Hubzylinder Kompl.; Verin de levage compl.	2	140477-375	
01	Lifting cylinder compl(L = 2349 mm) Lyftcylinder kompl.; Hubzylinder Kompl.; Verin de levage compl.	2	140477-415	
02	Packing set Packningssats; Packungssatz; Jeux d' étanchéité.	2	143022	
03	Cylinder pipe Cylinderrör; Zylinderrohr; Tube de cylindre	2	141049-335	
03	Cylinder pipe Cylinderrör; Zylinderrohr; Tube de cylindre	2	141049-375	
03	Cylinder pipe Cylinderrör; Zylinderrohr; Tube de cylindre	2	141049-415	
05	Piston rod Kolvstång; Kolbenstange; Tige de piston	2	143020-335	
05	Piston rod Kolvstång; Kolbenstange; Tige de piston	2	143020-375	
05	Piston rod Kolvstång; Kolbenstange; Tige de piston	2	143020-415	
11	Guide Styrning; Steuerung; Guidage	2	143021	
12	Locking ring Spärring; Schliessring; Circlip	2	141881	
13	Screw Skruv; Schraube; Vis	2	28709	
14	Washer Bricka; Scheibe; Rondelle	2	126723-004	
15	Stop screw Stoppskruv; Einstellschraube; Vis de arretoire	2	21346	
16	Shim(1 mm) Shims; Schim; Cale		105454	
17	Shim(0,5 mm) Shims; Schim; Cale		120531	
20	Plug Plugg; Pfropf; Bouchon	2	140594	
21	Restriction valve Sänkbromsventil; Drosselventil; Soupape de reduction	2	29626	
22	Plate Plåt; Platte; Plaque	2	139117	
23	Screw Skruv; Schraube; Vis	4	21935	
24	Washer Bricka; Scheibe; Rondelle	4	20404	
25	Locking plate Låsplåt; Schlussplatte; Lame de serrage	2	160447	
26	Screw Skruv; Schraube; Vis	2	28590	

6650-00005

P0016867



6650-00005 Reach/telescopic cylinders

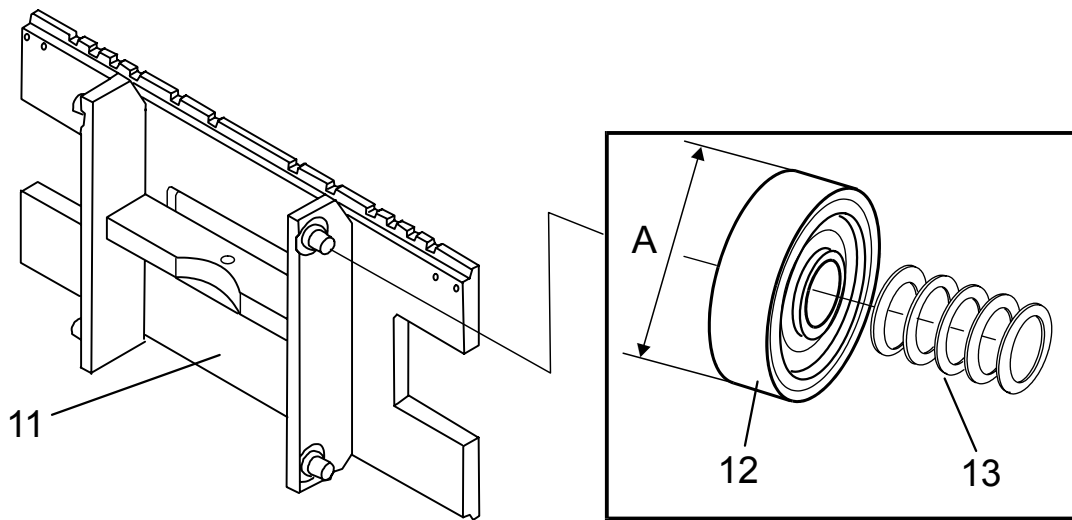
[2006-04-03]

Utskjut-/teleskopcyylinder; Vorschub-/Teleskopzylinder; Vérin de rétraction/télescopique;

Pos	Description	Pcs	Part No	Note
01	Cylinder(Complete) Cylinder(Komplett); Zylinder(Komplett); Verin(Comple)	1	169182	
02	Packing set Packningssats; Packungssatz; Jeux d' étanchéité.	1	174235	
11	Piston Kolv; Kolben; Piston	1	174753	
12	Sleeve Hylsa; Hülse; Douille	1	174754	
13	Piston rod Kolvstång; Kolbenstange; Tige de piston	1	174751	
14	Cylinder pipe Cylinderrör; Zylinderrohr; Tube de cylindre	1	174750	
15	Screw Skruv; Schraube; Vis	1	174756	
16	Nut Mutter; Mutter; Ecrou	1	174757	
17	Bearing Lager; Lager; Roulement	2	174755	
18	Screw Skruv; Schraube; Vis	1	20050	
19	Pin Tapp; Zapfen; Pivot	1	167301	
20	Axle Axel; Achse; Axe	1	203334	
21	Washer Bricka; Scheibe; Rondelle	1	55464	
22	Screw Skruv; Schraube; Vis	1	20154	

7130-00049

P0011548



7130-00049 Main mast fork carriage

[2006-04-03]

Huvudstativkvagn; Gabel-/Aggregatträger Haupthubgerüst; Tablier porte-fourches mât principal;

Triplex Hi - Lo			689 7FBRE12N 690 7FBRE12NC	939261 - 939261 -
Pos	Description	Pcs	Part No	Note
11	Fork yoke Gaffelok; Gabeljoch; Porte-fourche	1	172179	
12	Roller(69,95 mm) Rulle; Rolle; Roleau	4	139126	
12	Roller(70,4 mm) Rulle; Rolle; Roleau	4	139127	
13	Shim(25x35x0,1 mm) Shims; Schim; Cale		26471	
13	Shim(25x35x0,3 mm) Shims; Schim; Cale		26472	
13	Shim(25x35x0,5 mm) Shims; Schim; Cale		26473	
13	Shim(25x35x1 mm) Shims; Schim; Cale		29585	

CLICK HERE TO **DOWNLOAD** THE COMPLETE MANUAL

- Thank you very much for reading the preview of the manual.
- You can download the complete manual from: www.heydownloads.com by clicking the link below



- Please note: If there is no response to CLICKING the link, please download this PDF first and then click on it.

CLICK HERE TO **DOWNLOAD** THE COMPLETE MANUAL