




**GENUINE PARTS CATALOGUE
CATALOGUE PIÈCES D'ORIGINE
ORIGINAL ERSATZTEILKATALOG
CATALOGO DE PIEZAS LEGITIMAS
CATALOGO RICAMBI ORIGINALI**

This document has been printed from 

MANITOU BF

Head office: 430, Rue de l'Aubinière
44150 Ancenis - FRANCE
Share capital: 39,548,949 euros
857 802 508 RCS Nantes
Tel: +33 (0)2 40 09 10 11
www.manitou.com

CLICK HERE TO **DOWNLOAD** THE COMPLETE MANUAL

- Thank you very much for reading the preview of the manual.
- You can download the complete manual from: www.heydownloads.com by clicking the link below



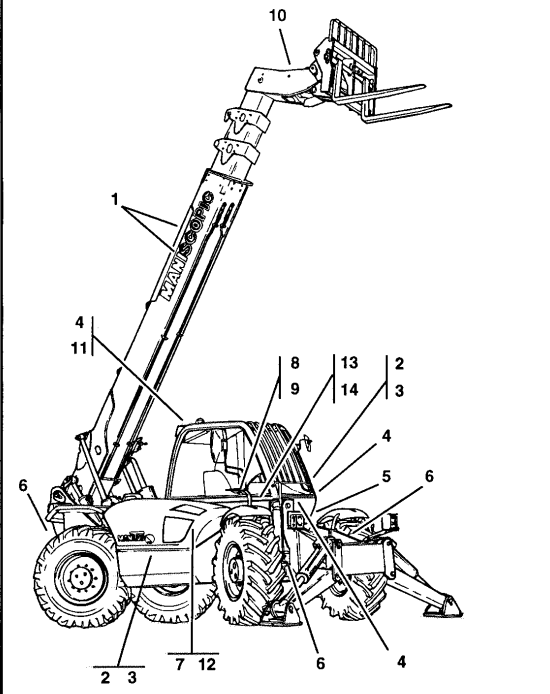
- Please note: If there is no response to CLICKING the link, please download this PDF first and then click on it.

CLICK HERE TO **DOWNLOAD** THE COMPLETE MANUAL

12 AA 267

ADHESIFS
KLEBSTOFF
ADHESIVO
ADHESIVE
ADESIVO

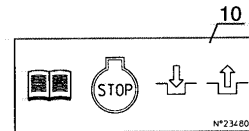
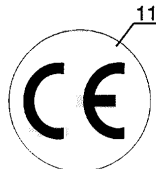
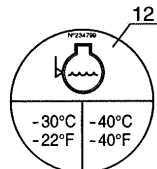
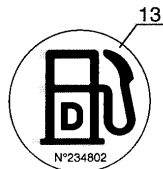
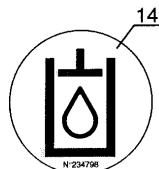
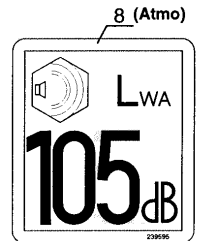
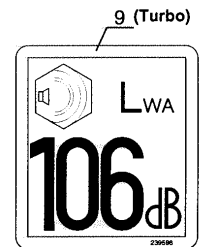
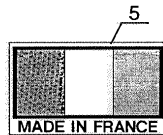
MT 1740 SL
MT 1740 SL Turbo



MANISCOPIC¹

MT 1740 SL²

MANITOU TURBO³



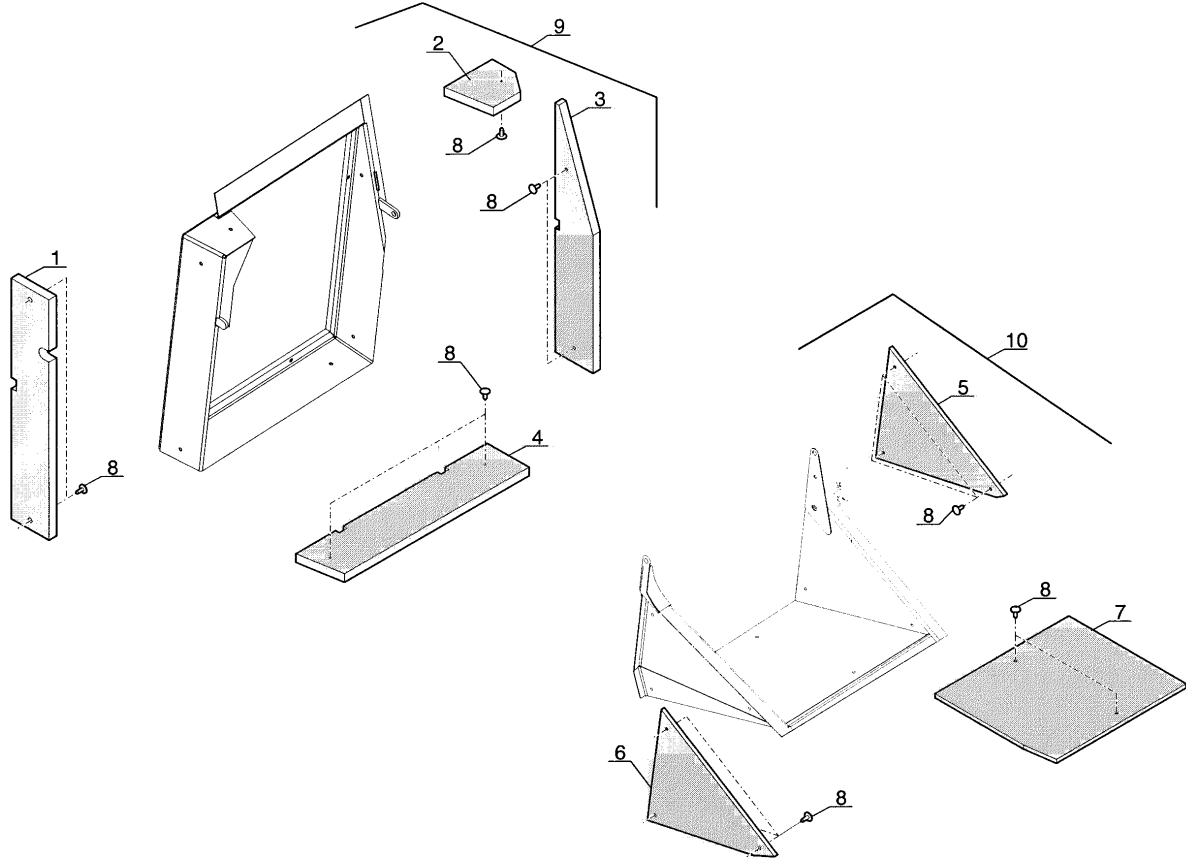
F.A.C. xp

17 / 07 / 02

4 AA 294

ADAPTATION MOTEUR-TRANSMISSION
MOTOR-GETRIEBE ANPASSUNG
ADAPTACION MOTOR-TRANSMISION
ENGINE-TRANSMISSION ADAPTATION
ADATTAMENTO MOTORE - TRASMISSIONE

MT 1740 SL
MT 1740 SL Turbo



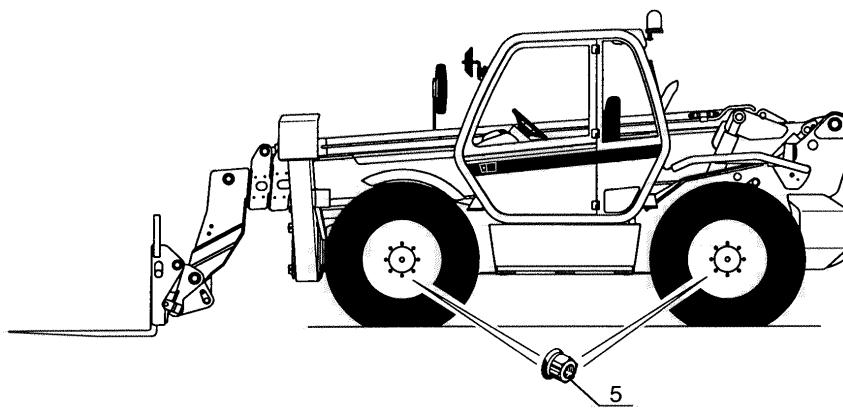
P.A.O. illius
09 / 07 / 02

Позиция	№ детали	Название	Characteristics	К-во	Superseded PartNumber	Product Type
30	209614	Hose		1	217722, 233838, 235562, 215592, 219521, 458748, 217196, 227869, 407816, 207105	MT 1740 SL S2, MT 1740 SL TURBO S2
31	209614	Hose		1	217722, 233838, 235562, 215592, 219521, 458748, 217196, 227869, 407816, 207105	MT 1740 SL S2, MT 1740 SL TURBO S2
32	210477	support		1		MT 1740 SL S2, MT 1740 SL TURBO S2
34	42231	Washer		2		MT 1740 SL S2, MT 1740 SL TURBO S2
35	21980	Clamp		2		MT 1740 SL S2, MT 1740 SL TURBO S2
36	219499	plate		1		MT 1740 SL S2, MT 1740 SL TURBO S2
37	214225	Delivery port connection		1		MT 1740 SL S2, MT 1740 SL TURBO S2
38	134577	"O" ring		2	725793, 513544, 561766, G1834275, 457841	MT 1740 SL S2, MT 1740 SL TURBO S2
39	168425	Screw	M12	8		MT 1740 SL S2, MT 1740 SL TURBO S2
40	745710	Complete kit		1	212161	MT 1740 SL S2, MT 1740 SL TURBO S2
41	550521	Seal kit		1		MT 1740 SL S2, MT 1740 SL TURBO S2
42	552549	Seal kit		1		MT 1740 SL S2, MT 1740 SL TURBO S2
43	551242	Valve		1		MT 1740 SL S2, MT 1740 SL TURBO S2
44	550520	Seal kit		1		MT 1740 SL S2, MT 1740 SL TURBO S2
45	2437	Screw	H 1/2-38-UNC-8.8-ZN8/B	2		MT 1740 SL S2, MT 1740 SL TURBO S2
46	77710	washer		2		MT 1740 SL S2, MT 1740 SL TURBO S2
47	482664	Union		1		MT 1740 SL S2, MT 1740 SL TURBO S2
48	190878	Watertight seal		1		MT 1740 SL S2, MT 1740 SL TURBO S2
49	218417	Hose		1		MT 1740 SL S2, MT 1740 SL TURBO S2
50	25002	O ring		1		MT 1740 SL S2, MT 1740 SL TURBO S2
51	168855	Half clamp		4		MT 1740 SL S2, MT 1740 SL TURBO S2
52	168854	Protection plate		2		MT 1740 SL S2, MT 1740 SL TURBO S2
53	58530	Screw	HM8	2		MT 1740 SL S2, MT 1740 SL TURBO S2
54	167923	Union		1		MT 1740 SL S2, MT 1740 SL TURBO S2
55	169373	O ring		1		MT 1740 SL S2, MT 1740 SL TURBO S2
56	27188	O ring		1		MT 1740 SL S2, MT 1740 SL TURBO S2
57	209611	Hose		1		MT 1740 SL S2, MT 1740 SL TURBO S2
58	63545	screw	HM10	4		MT 1740 SL S2, MT 1740 SL TURBO S2

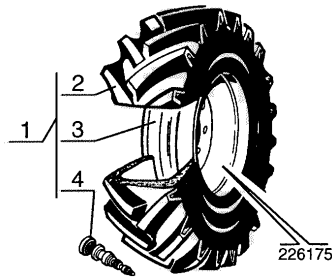
3 AA 147

ROUES
RAD
RUEDAS
WHEELS
RUOTE

MT 1740 SL
MT 1740 SL Turbo



DUNLOP
440/80 - 24 T37 158B TL



09 / 07 / 02

P.A.O xp

Позиция	№ детали	Название	Characteristics	К-во	Superseded PartNumber	Product Type
1	786594	Submersible brake lining		8		MT 1740 SL S2, MT 1740 SL TURBO S2
2	706901	screw		6		MT 1740 SL S2, MT 1740 SL TURBO S2
3	602296	spring		6		MT 1740 SL S2, MT 1740 SL TURBO S2
4	941867	Piston kit		2		MT 1740 SL S2, MT 1740 SL TURBO S2
5	562520	Spring		6		MT 1740 SL S2, MT 1740 SL TURBO S2
6	895855	O ring		2		MT 1740 SL S2, MT 1740 SL TURBO S2
7	895855	O ring		2		MT 1740 SL S2, MT 1740 SL TURBO S2
8	895854	O ring		2		MT 1740 SL S2, MT 1740 SL TURBO S2
9	895854	O ring		2		MT 1740 SL S2, MT 1740 SL TURBO S2
10	53017592	Brake disc		10		MT 1740 SL S2, MT 1740 SL TURBO S2
11	106010	Bleeder screw		2		MT 1740 SL S2, MT 1740 SL TURBO S2
12	107796	Plug		2		MT 1740 SL S2, MT 1740 SL TURBO S2
13	107751	Centring pin		2		MT 1740 SL S2, MT 1740 SL TURBO S2
14	941867	Piston kit		1		MT 1740 SL S2, MT 1740 SL TURBO S2

AX 1303

POUR ESSIEU AVANT
 FÜR VORNACHSE
 PARA EJE DELANTERO
 FOR FRONT AXLE
 PER PONTE ANTERIORE

Type : 212 / 221
 Ref : 230 332

DIFFERENTIEL ESSIEU AVANT
 VORNACHSEDIFFERENTIAL
 DIFERENCIAL EJE DELANTERO
 FRONT AXLE DIFFERENTIAL
 DIFFERENZIALE ASSALE ANTERIORE

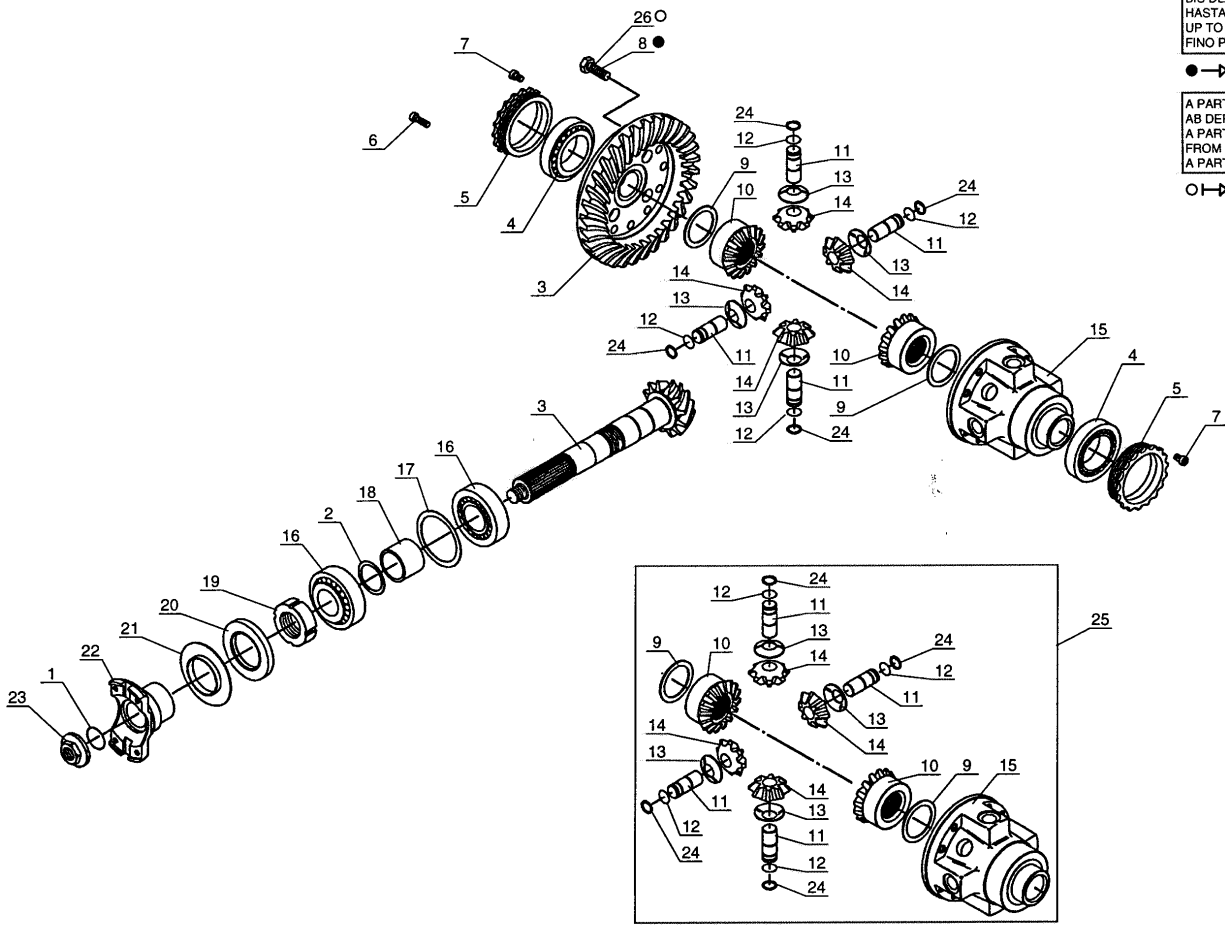
MT 1740 SL
MT 1740 SL Turbo

JUSQU' A L' ESSIEU
 BIS DER ACHSE
 HASTA EL EJE
 UP TO AXLE
 FINO PONTE

● → N° : A. ITA. 704716

A PARTIR DE L' ESSIEU
 AB DER ACHSE
 A PARTIR DEL EJE
 FROM AXLE
 A PARTIR DEL PONTE

○ → N° : A. ITA. 704717



P.A.O. xp

10 / 04 / 02

_FRONT

AX 1427

POUR ESSIEU AVANT
FÜR VORNACHSE
PARA EJE DELANTERO
FOR FRONT AXLE
PER PONTE ANTERIORE

Type : 212 / 121
Ref : 230 332

A PARTIR DE L' ESSIEU
AB DER ACHSE
A PARTIR DEL EJE
FROM AXLE
A PARTIR DEL PONTE

N° : B. ITA. 749984

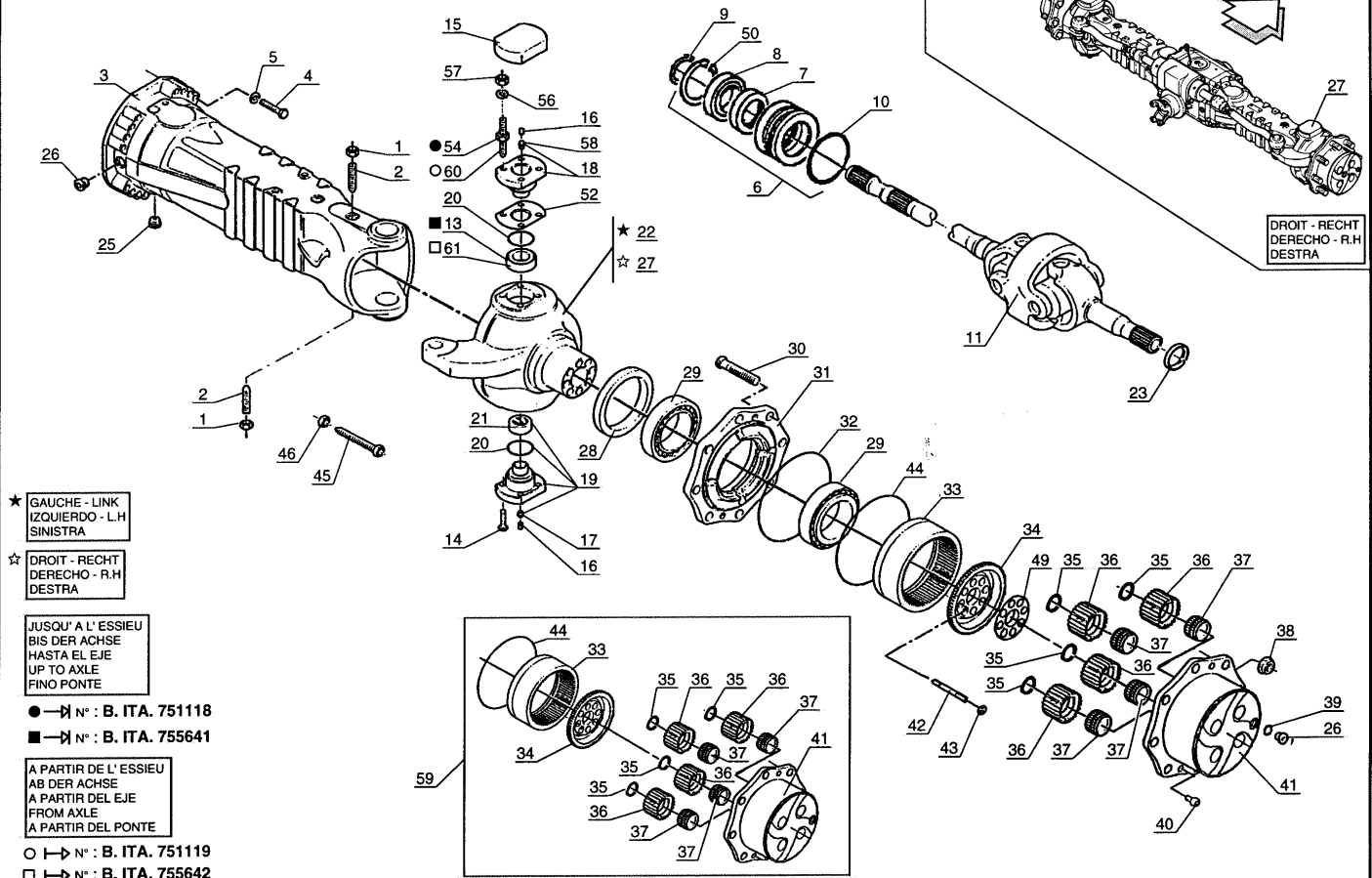
REDUCTEUR ESSIEU AVANT
VORNACHSE REDUKTIONSGETRIEBE
REDUCTOR EJE DELANTERO
FRONT AXLE REDUCTION GEAR
RIDUZIONE EPICICLOIDALE ASSALE ANTERIORE

**MT 1740 SL
MT 1740 SL Turbo**

GAUCHE - LINK
IZQUIERDO - L.H
SINISTRA

AVANT MACHINE
FRONT OF THE MACHINE

DROIT - RECHT
DERECHO - R.H
DESTRA



★ GAUCHE - LINK
IZQUIERDO - L.H
SINISTRA

☆ DROIT - RECHT
DERECHO - R.H
DESTRA

JUSQU' A L' ESSIEU
BIS DER ACHSE
HASTA EL EJE
UP TO AXLE
FINO PONTE

● → N° : B. ITA. 751118
■ → N° : B. ITA. 755641

A PARTIR DE L' ESSIEU
AB DER ACHSE
A PARTIR DEL EJE
FROM AXLE
A PARTIR DEL PONTE

○ → N° : B. ITA. 751119
□ → N° : B. ITA. 755642

P.A.O. XP

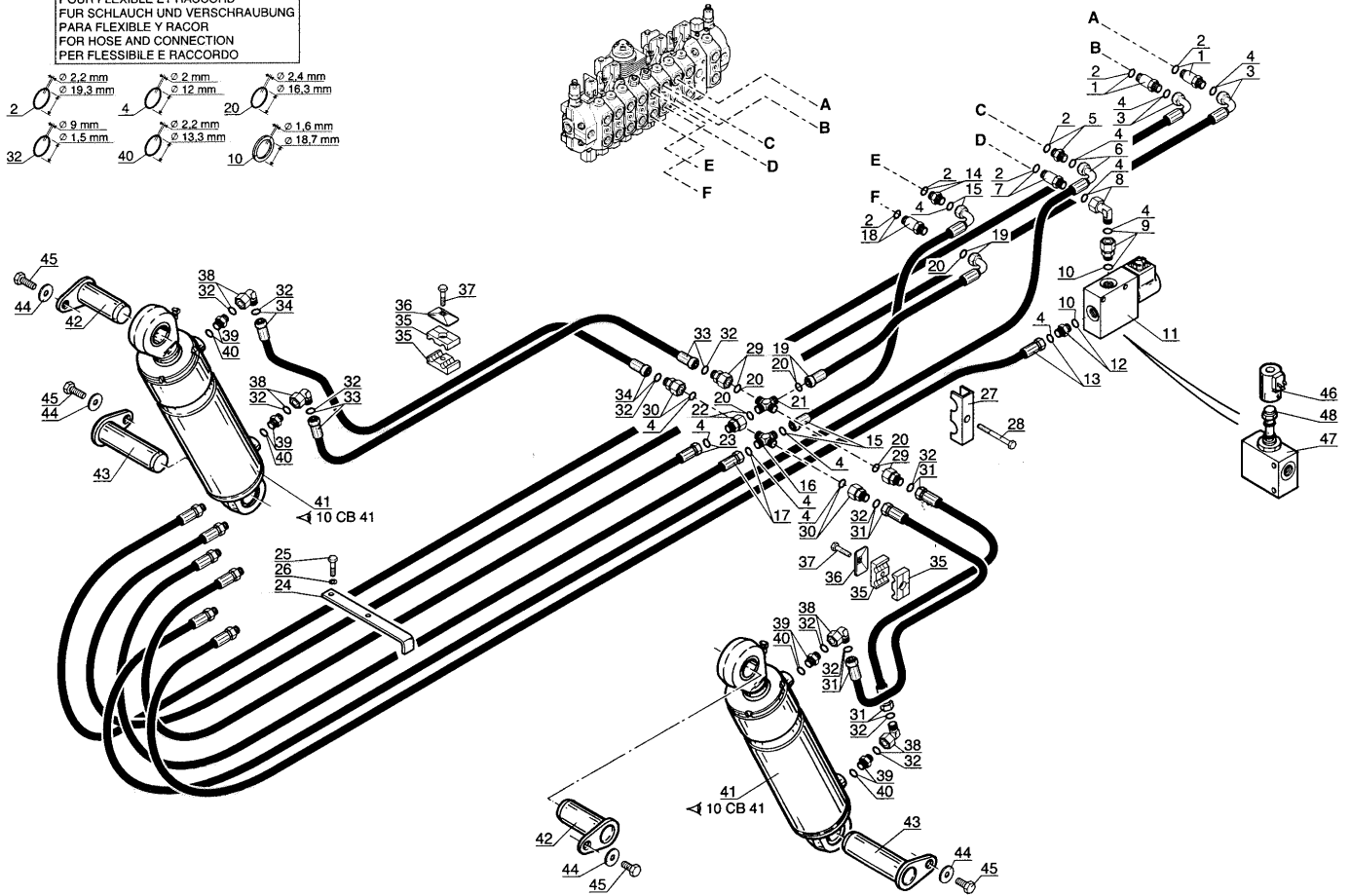
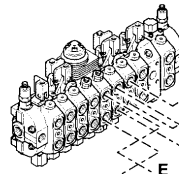
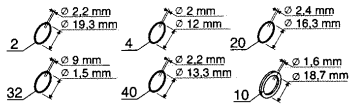
09 / 04 / 02

10 AE 388

MT 1740 SL
MT 1740 SL Turbo

HYDRAULIQUE (Circuit compensation - alimentation flèche)
HYDRAULIK (Kompensation - Ausleger zuschiebung kreis)
HIDRAULICO (Circuito compensación - alimentación aguilón)
HYDRAULIC (Compensation - jib feed circuit)
IDRAULICO (Circuito compensazione - Alimentazione bracci tel)

POUR FLEXIBLE ET RACCORD
FÜR SCHLAUCH UND VERSCHRÄUBUNG
PARA FLEXIBLE Y RACOR
FOR HOSE AND CONNECTION
PER FLESSIBILE E RACCORDO



P.A.C. illus

04 / 07 / 02

Позиция	№ детали	Название	Characteristics	К-во	Superseded PartNumber	Product Type
40	218927	Tilting cylinder hose		1		MT 1740 SL S2, MT 1740 SL TURBO S2
41	218928	Tilting cylinder hose		1		MT 1740 SL S2, MT 1740 SL TURBO S2
42	21980	Clamp		7		MT 1740 SL S2, MT 1740 SL TURBO S2
43	197233	Elbow connector adaptor		2		MT 1740 SL S2, MT 1740 SL TURBO S2
44	487355	Connection		2		MT 1740 SL S2, MT 1740 SL TURBO S2
45	177638	Watertight seal		1		MT 1740 SL S2, MT 1740 SL TURBO S2
46	229571	Balance valve block		1		MT 1740 SL S2, MT 1740 SL TURBO S2
47	189960	O ring		2		MT 1740 SL S2, MT 1740 SL TURBO S2
48	600907	Repair kit		1		MT 1740 SL S2, MT 1740 SL TURBO S2
49	58531	Screw	HM8	4		MT 1740 SL S2, MT 1740 SL TURBO S2
50	42325	Washer		4		MT 1740 SL S2, MT 1740 SL TURBO S2
51	252700	Tilting cylinder		1		MT 1740 SL S2, MT 1740 SL TURBO S2
52	264586	Cylinder axle		1		MT 1740 SL S2, MT 1740 SL TURBO S2
53	264588	pin		1	252710	MT 1740 SL S2, MT 1740 SL TURBO S2
54	192213	Circlip		2		MT 1740 SL S2, MT 1740 SL TURBO S2
55	169438	seal		1		MT 1740 SL S2, MT 1740 SL TURBO S2

Позиция	№ детали	Название	Characteristics	К-во	Superseded PartNumber	Product Type
1	236941	control valve		1		MT 1740 SL S2, MT 1740 SL TURBO S2
2	604044	element		1		MT 1740 SL S2, MT 1740 SL TURBO S2
3	561471	plug		2		MT 1740 SL S2, MT 1740 SL TURBO S2
4	745731	Relief valve		1		MT 1740 SL S2, MT 1740 SL TURBO S2
5	604039	seal kit		1		MT 1740 SL S2, MT 1740 SL TURBO S2
6	600617	element		1		MT 1740 SL S2, MT 1740 SL TURBO S2
7	228500	Plug		13		MT 1740 SL S2, MT 1740 SL TURBO S2
8	702794	Plug		9		MT 1740 SL S2, MT 1740 SL TURBO S2
9	551331	Anti-dust ring		18		MT 1740 SL S2, MT 1740 SL TURBO S2
10	600618	seal kit		1		MT 1740 SL S2, MT 1740 SL TURBO S2
11	604380	element		1		MT 1740 SL S2, MT 1740 SL TURBO S2
12	600618	seal kit		1		MT 1740 SL S2, MT 1740 SL TURBO S2
13	604381	element		1		MT 1740 SL S2, MT 1740 SL TURBO S2
14	600618	seal kit		1		MT 1740 SL S2, MT 1740 SL TURBO S2
15	600619	element		1		MT 1740 SL S2, MT 1740 SL TURBO S2
16	600620	seal kit		1		MT 1740 SL S2, MT 1740 SL TURBO S2
17	565648	Relief valve		2		MT 1740 SL S2, MT 1740 SL TURBO S2
18	604382	element		1		MT 1740 SL S2, MT 1740 SL TURBO S2
19	604383	seal kit		1		MT 1740 SL S2, MT 1740 SL TURBO S2
20	600616	Relief valve		2		MT 1740 SL S2, MT 1740 SL TURBO S2
21	600617	element		1		MT 1740 SL S2, MT 1740 SL TURBO S2
22	600618	seal kit		1		MT 1740 SL S2, MT 1740 SL TURBO S2
23	600617	element		1		MT 1740 SL S2, MT 1740 SL TURBO S2
24	600618	seal kit		1		MT 1740 SL S2, MT 1740 SL TURBO S2
25	604384	element		1		MT 1740 SL S2, MT 1740 SL TURBO S2
26	600620	seal kit		1		MT 1740 SL S2, MT 1740 SL TURBO S2
27	600661	element		1		MT 1740 SL S2, MT 1740 SL TURBO S2
28	604385	seal kit		1		MT 1740 SL S2, MT 1740 SL TURBO S2
29	600624	tie rod kit		1		MT 1740 SL S2, MT 1740 SL TURBO S2
30	604386	element		1		MT 1740 SL S2, MT 1740 SL TURBO S2
31	604387	seal kit		1		MT 1740 SL S2, MT 1740 SL TURBO S2
32	600627	Base-plate		1		MT 1740 SL S2, MT 1740 SL TURBO S2
33	600628	element		1		MT 1740 SL S2, MT 1740 SL TURBO S2
34	600629	seal kit		1		MT 1740 SL S2, MT 1740 SL TURBO S2
35	551790	Double control		1		MT 1740 SL S2, MT 1740 SL TURBO S2
36	551345	Distributor lever bellows		1		MT 1740 SL S2, MT 1740 SL TURBO S2
37	565649	Single control		6		MT 1740 SL S2, MT 1740 SL TURBO S2
38	551362	Anti-dust ring		6		MT 1740 SL S2, MT 1740 SL TURBO S2

CLICK HERE TO **DOWNLOAD** THE COMPLETE MANUAL

- Thank you very much for reading the preview of the manual.
- You can download the complete manual from: www.heydownloads.com by clicking the link below



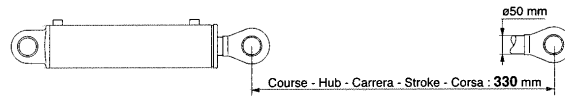
- Please note: If there is no response to CLICKING the link, please download this PDF first and then click on it.

CLICK HERE TO **DOWNLOAD** THE COMPLETE MANUAL

10 CB 41

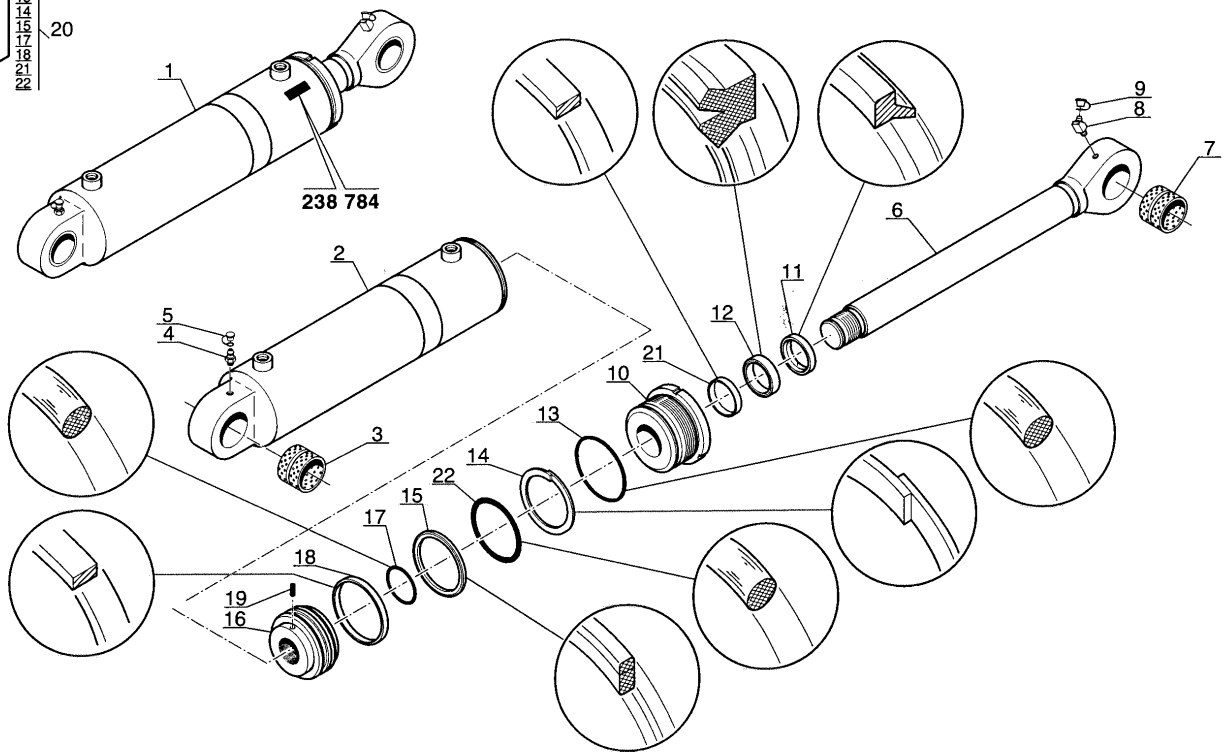
HYDRAULIQUE (Vérin de compensation)
HYDRAULIK (Kompensation zylinder)
HIDRAULICO (Cilindro de compensacion)
HYDRAULIC (Compensation cylinder)
IDRAULICO (Cilindro di compensazione)

MT 1740 SL
MT 1740 SL Turbo



11
12
13
14
15
16
17
18
21
22

POCHETTE DE JOINTS
DICHTUNGSATZ
JUEGO DE JUNTAS
SEAL KIT
SERIE GUARNIZIONE



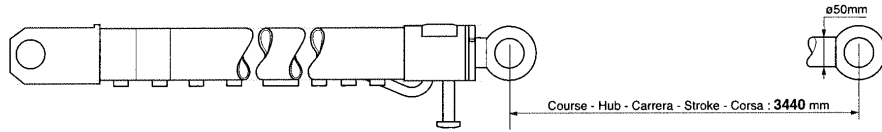
10 / 07 / 02

P.A.O. Iltus

10 CC 44

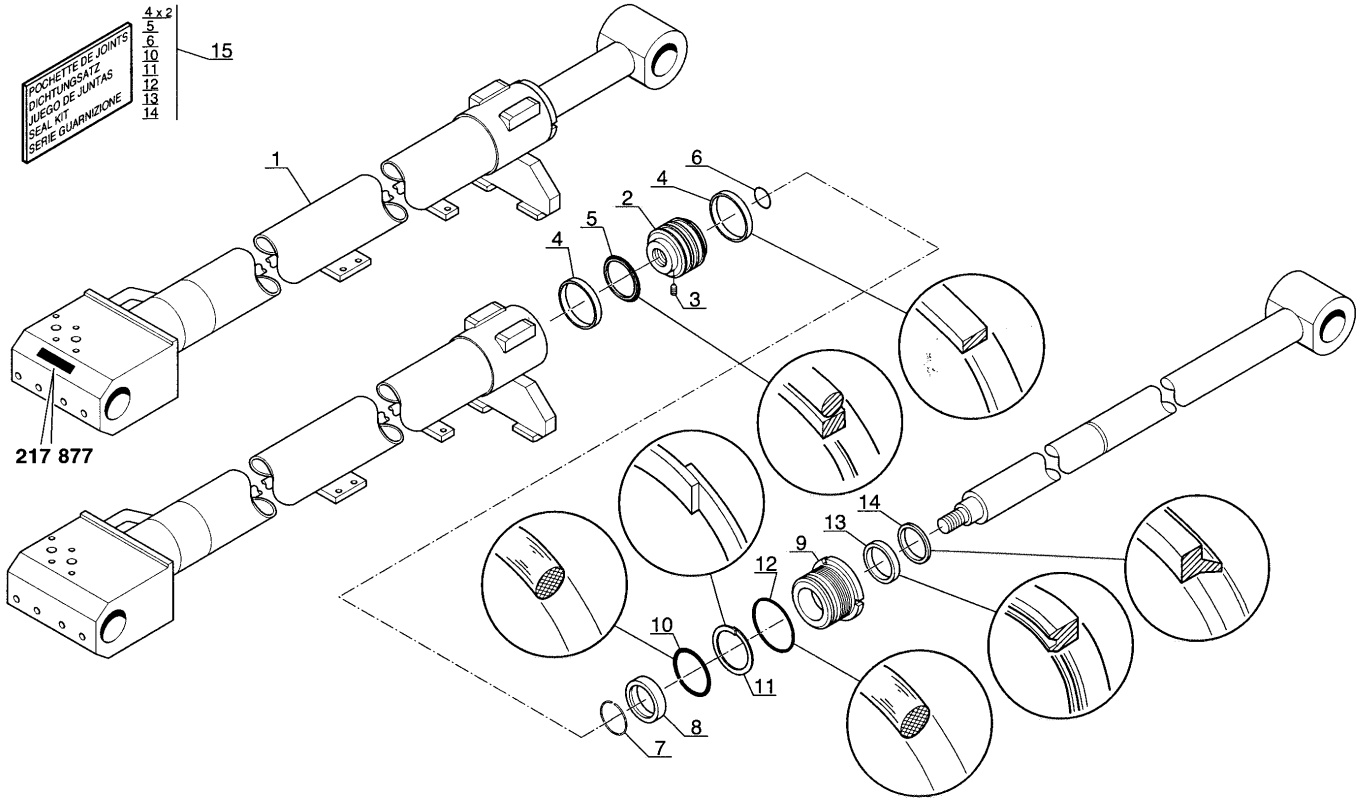
HYDRAULIQUE (Vérin de télescopage intérieur)
HYDRAULIK (Innere teleskopzylinder)
HIDRAULICO (Cilindro de telescopaje interior)
HYDRAULIC (Inner telescope cylinder)
IDRAULICO (Cilindro di telescopaggio interiore)

MT 1740 SL
MT 1740 SL Turbo



4 x 2
3
6
10
11
12
13
14

POCHETTE DE JOINTS
DICHTUNGSSET
JUEGO DE JUNTAS
SEAL KIT
SERIE GUARNIZIONE



05 / 12 / 00

P.A.O. Illus

Позиция	№ детали	Название	Characteristics	К-во	Superseded PartNumber	Product Type
100	188473	Shim 2 mm	65x200x2mm	1		MT 1740 SL S2, MT 1740 SL TURBO S2
100	188542	Shim 4 mm	65x200x4mm	1		MT 1740 SL S2, MT 1740 SL TURBO S2
100	218395	Shim 0,5 mm	65x200x0,5mm	1		MT 1740 SL S2, MT 1740 SL TURBO S2
101	225003	Screw		4		MT 1740 SL S2, MT 1740 SL TURBO S2
102	188441	Insert		4		MT 1740 SL S2, MT 1740 SL TURBO S2
103	58548	nut	M12	4		MT 1740 SL S2, MT 1740 SL TURBO S2
104	252701	Cover plate		1	217898	MT 1740 SL S2, MT 1740 SL TURBO S2
105	57446	screw	HM8	4		MT 1740 SL S2, MT 1740 SL TURBO S2
106	42325	Washer		4		MT 1740 SL S2, MT 1740 SL TURBO S2
107	208312	Ring		4		MT 1740 SL S2, MT 1740 SL TURBO S2
108	51534	Straight greaser		2		MT 1740 SL S2, MT 1740 SL TURBO S2
109	264584	Hinge pin		1		MT 1740 SL S2, MT 1740 SL TURBO S2
110	58610	Screw	HM18	1		MT 1740 SL S2, MT 1740 SL TURBO S2
111	73202	Washer		1		MT 1740 SL S2, MT 1740 SL TURBO S2
112	925776	CARRIER		1	294890	MT 1740 SL S2, MT 1740 SL TURBO S2
113	208251	Ring		2		MT 1740 SL S2, MT 1740 SL TURBO S2
114	213666	Spindle		1		MT 1740 SL S2, MT 1740 SL TURBO S2
115	5966	Beta pin	6	1		MT 1740 SL S2, MT 1740 SL TURBO S2
116	236245	Detector assy		1		MT 1740 SL S2, MT 1740 SL TURBO S2
117	42347	Screw	HM8	2		MT 1740 SL S2, MT 1740 SL TURBO S2
118	61674	washer	M8	2		MT 1740 SL S2, MT 1740 SL TURBO S2

Позиция	№ детали	Название	Characteristics	К-во	Superseded PartNumber	Product Type
43	474107	Spacer		4		MT 1740 SL TURBO S2
44	562453	Centring pin		2		MT 1740 SL TURBO S2
46	473943	screw	H,M10- 20, HM10	1		MT 1740 SL TURBO S2
48	106389	Engine oil pressure switch		1	P2848062	MT 1740 SL TURBO S2
49	474097	Plug		2		MT 1740 SL TURBO S2
50	704665	SHORT ENGINE		1	563221	MT 1740 SL TURBO S2
51	603433	Seal		1		MT 1740 SL TURBO S2
52	133803	Plug		1		MT 1740 SL TURBO S2
53	133656	Plug		1		MT 1740 SL TURBO S2
54	133803	Plug		2		MT 1740 SL TURBO S2

Позиция	№ детали	Название	Characteristics	К-во	Superseded PartNumber	Product Type
1	603983	Fly wheel		1	564588	MT 1740 SL TURBO S2
3	133632	Gear		1		MT 1740 SL TURBO S2
4	107387	Washer		6	P33117127, 473303	MT 1740 SL TURBO S2
5	473299	Screw	1/2x38	6		MT 1740 SL TURBO S2

Позиция	№ детали	Название	Characteristics	К-во	Superseded PartNumber	Product Type
1	239326	Complete engine		1		MT 1740 SL TURBO S2
2	474060	Olive		1		MT 1740 SL TURBO S2
3	474059	nut		1		MT 1740 SL TURBO S2
4	602202	Tube		1		MT 1740 SL TURBO S2
5	563273	oil dipstick		1		MT 1740 SL TURBO S2
6	552894	Screw	HM6	1		MT 1740 SL TURBO S2
7	474068	nut		1		MT 1740 SL TURBO S2
11	212946	Drain plug		1		MT 1740 SL TURBO S2
12	82729	Copper joint		1		MT 1740 SL TURBO S2
13	525416	Connection		1		MT 1740 SL TURBO S2
14	190441	Hose		1		MT 1740 SL TURBO S2
15	171090	Clip		1		MT 1740 SL TURBO S2
16	167981	Screw	HM4	1		MT 1740 SL TURBO S2
17	28987	Washer	W4 ZN	1		MT 1740 SL TURBO S2
18	25758	Nut	M4	1		MT 1740 SL TURBO S2
19	231475	Housing		1		MT 1740 SL TURBO S2
20	236381	Screw	H M6-14-8.8-ZN/5C, H,M 6-14/14-8.8-ZN/5C	2		MT 1740 SL TURBO S2
21	459749	Washer	L6	2		MT 1740 SL TURBO S2
22	232371	Screw	H M8-100-8.8-ZN8/C, H,M 8-100/100-8.8-ZN8/C	1		MT 1740 SL TURBO S2
23	61674	washer	M8	2		MT 1740 SL TURBO S2
24	232848	Bushing		1		MT 1740 SL TURBO S2
25	231472	Bracket		1		MT 1740 SL TURBO S2
26	63727	screw	HM10	1		MT 1740 SL TURBO S2
27	29437	Washer	M10	1		MT 1740 SL TURBO S2
28	54951	Screw	HM8	1		MT 1740 SL TURBO S2
29	563379	Lug		1		MT 1740 SL TURBO S2
30	473956	Screw		2		MT 1740 SL TURBO S2
31	563380	Spacer		1		MT 1740 SL TURBO S2
32	240313	LUG		1	563341	MT 1740 SL TURBO S2
33	473958	Screw	HM10, 10x30	2		MT 1740 SL TURBO S2
34	231476	Fastening lug		1		MT 1740 SL TURBO S2
35	25713	Screw	HM6	2		MT 1740 SL TURBO S2
36	29469	Washer	M 6 ZN, M6	2		MT 1740 SL TURBO S2
37	25714	Nut	M6	2		MT 1740 SL TURBO S2
38	552738	clamp		1		MT 1740 SL TURBO S2
39	170884	Red cap		1		MT 1740 SL TURBO S2

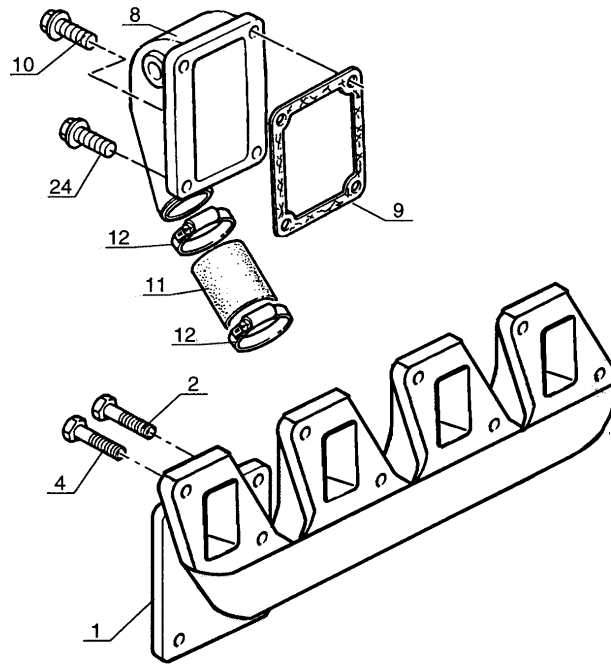
Позиция	№ детали	Название	Characteristics	К-во	Superseded PartNumber	Product Type
1	229015	Hose		1		MT 1740 SL TURBO S2
2	224711	Air filter		1		MT 1740 SL TURBO S2
3	563415	Safety air filter cartridge		1		MT 1740 SL TURBO S2
4	563416	Air filter cartridge		1		MT 1740 SL TURBO S2
5	563487	Cover		1		MT 1740 SL TURBO S2
6	563417	Valve		1		MT 1740 SL TURBO S2
7	224712	Clamp		1		MT 1740 SL TURBO S2
8	229785	Air filter bracket		1		MT 1740 SL TURBO S2
9	54951	Screw	HM8	2		MT 1740 SL TURBO S2
10	63351	Flat washer	M8	2		MT 1740 SL TURBO S2
11	42347	Screw	HM8	2		MT 1740 SL TURBO S2
12	61674	washer	M8	2		MT 1740 SL TURBO S2
13	63351	Flat washer	M8	2		MT 1740 SL TURBO S2
14	58528	Nut	M8	2		MT 1740 SL TURBO S2
15	42347	Screw	HM8	1		MT 1740 SL TURBO S2
16	63351	Flat washer	M8	1		MT 1740 SL TURBO S2
17	229587	Clamp		1		MT 1740 SL TURBO S2
18	224715	Hose		1		MT 1740 SL TURBO S2
19	195728	Clamp		1		MT 1740 SL TURBO S2
20	238681	Muffler		1		MT 1740 SL TURBO S2
21	224928	Clamp		1		MT 1740 SL TURBO S2
22	58528	Nut	M8	2		MT 1740 SL TURBO S2
23	61674	washer	M8	2		MT 1740 SL TURBO S2
24	232090	Exhaust pipe		1		MT 1740 SL TURBO S2
25	225211	Fastening lug		1		MT 1740 SL TURBO S2
26	42347	Screw	HM8	5		MT 1740 SL TURBO S2
27	63351	Flat washer	M8	5		MT 1740 SL TURBO S2
28	551768	Gasket		1	473909	MT 1740 SL TURBO S2
29	473907	Stud		3		MT 1740 SL TURBO S2
30	473908	Nut		3	P2318A634, 473969, 725304	MT 1740 SL TURBO S2
31	563488	Lock		1		MT 1740 SL TURBO S2
32	563489	Connecting rod		1		MT 1740 SL TURBO S2
33	229787	bracket		1		MT 1740 SL TURBO S2
34	202144	Black screw	M8	1		MT 1740 SL TURBO S2
35	229564	Black washer	M8	1		MT 1740 SL TURBO S2
36	63351	Flat washer	M8	1		MT 1740 SL TURBO S2
37	58528	Nut	M8	1		MT 1740 SL TURBO S2

AP 1382

POUR MOTEUR
FÜR MOTOR
PARA MOTOR
FOR ENGINE
PER MOTORE
Type : AK 81336
Ref : 239 326

COLLECTEUR D' ADMISSION
ANSAUGLEITUNG
COLECTOR DE ADMISION
INTAKE MANIFOLD
COLLETORE DI ASPIRAZIONE

MT 1740 SL Turbo



P.A.O.xp
12 / 04 / 02

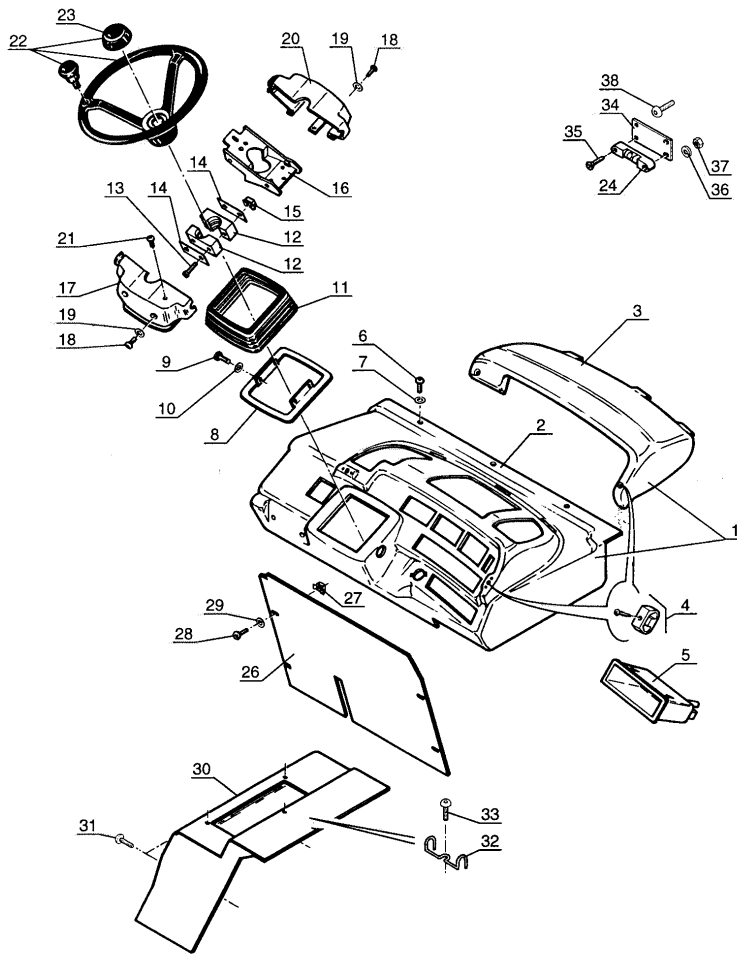
Позиция	№ детали	Название	Characteristics	K-во	Superseded PartNumber	Product Type
42	202144	Black screw	M8	1		MT 1740 SL S2, MT 1740 SL TURBO S2
43	220638	SP washer		1		MT 1740 SL S2, MT 1740 SL TURBO S2
44	733940	Profile seal		1	229018	MT 1740 SL S2, MT 1740 SL TURBO S2
45	254833	Rubber profile		1	229019, 243049	MT 1740 SL S2, MT 1740 SL TURBO S2
46	254833	Rubber profile		1	229019, 243049	MT 1740 SL S2, MT 1740 SL TURBO S2
47	54951	Screw	HM8	1		MT 1740 SL S2, MT 1740 SL TURBO S2
48	223430	Spacer		1		MT 1740 SL S2, MT 1740 SL TURBO S2
49	61674	washer	M8	1		MT 1740 SL S2, MT 1740 SL TURBO S2
51	227053	flange		1		MT 1740 SL S2, MT 1740 SL TURBO S2
52	177878	Half clamp		2		MT 1740 SL S2, MT 1740 SL TURBO S2
53	168861	Protection plate		1		MT 1740 SL S2, MT 1740 SL TURBO S2
54	58533	Screw	HM8	1		MT 1740 SL S2, MT 1740 SL TURBO S2
55	73196	Screw		1		MT 1740 SL S2, MT 1740 SL TURBO S2
56	58528	Nut	M8	1		MT 1740 SL S2, MT 1740 SL TURBO S2
57	225315	Fastening plate		2		MT 1740 SL S2, MT 1740 SL TURBO S2

Позиция	№ детали	Название	Characteristics	К-во	Superseded PartNumber	Product Type
1	225199	Complete Handbrake		1		MT 1740 SL S2, MT 1740 SL TURBO S2
2	58536	Screw	HM10	2		MT 1740 SL S2, MT 1740 SL TURBO S2
3	42232	Washer		2		MT 1740 SL S2, MT 1740 SL TURBO S2
7	193643	Switch bracket		1		MT 1740 SL S2, MT 1740 SL TURBO S2
8	279812	Switch		1	210792, 276426, 279810	MT 1740 SL S2, MT 1740 SL TURBO S2
9	25758	Nut	M4	2		MT 1740 SL S2, MT 1740 SL TURBO S2
10	28987	Washer	W4 ZN	2		MT 1740 SL S2, MT 1740 SL TURBO S2
11	243197	Handbrake bellows	-	1		MT 1740 SL S2, MT 1740 SL TURBO S2
12	31120	Screw	CS,M4-20 zn	2		MT 1740 SL S2, MT 1740 SL TURBO S2
13	25714	Nut	M6	1		MT 1740 SL S2, MT 1740 SL TURBO S2
14	29469	Washer	M 6 ZN, M6	1		MT 1740 SL S2, MT 1740 SL TURBO S2
15	25713	Screw	HM6	1		MT 1740 SL S2, MT 1740 SL TURBO S2
16	174132	JZC washer	M6	1		MT 1740 SL S2, MT 1740 SL TURBO S2
17	226853	Handbrake cable		1		MT 1740 SL S2, MT 1740 SL TURBO S2
18	238656	Fixing spring		2	227038	MT 1740 SL S2, MT 1740 SL TURBO S2
19	58202	Ball joint		1		MT 1740 SL S2, MT 1740 SL TURBO S2
20	187376	Sheath stop		1		MT 1740 SL S2, MT 1740 SL TURBO S2
21	55714	Nut	M10	2		MT 1740 SL S2, MT 1740 SL TURBO S2
22	164965	Mounting plate		2		MT 1740 SL S2, MT 1740 SL TURBO S2
23	220645	Spring		2		MT 1740 SL S2, MT 1740 SL TURBO S2
24	216168	Accelerator pedal		1		MT 1740 SL S2, MT 1740 SL TURBO S2
25	268323	cable		1		MT 1740 SL S2, MT 1740 SL TURBO S2
26	77957	bracket		2		MT 1740 SL S2, MT 1740 SL TURBO S2
27	54305	Screw	HM6	2		MT 1740 SL S2, MT 1740 SL TURBO S2
28	29469	Washer	M 6 ZN, M6	2		MT 1740 SL S2, MT 1740 SL TURBO S2
29	184130	Stop		1		MT 1740 SL S2, MT 1740 SL TURBO S2
30	266218	clamp		1		MT 1740 SL S2, MT 1740 SL TURBO S2
31	25713	Screw	HM6	2		MT 1740 SL S2, MT 1740 SL TURBO S2
32	42316	Washer	W 6 ZN	2		MT 1740 SL S2, MT 1740 SL TURBO S2
34	213394	Cable grommet		1		MT 1740 SL S2, MT 1740 SL TURBO S2
35	224861	Sheath stop		1		MT 1740 SL S2, MT 1740 SL TURBO S2
36	561251	pin		2		MT 1740 SL S2, MT 1740 SL TURBO S2
37	29469	Washer	M 6 ZN, M6	2		MT 1740 SL S2, MT 1740 SL TURBO S2
38	35000	dowel	V 2x20 ZN	2		MT 1740 SL S2, MT 1740 SL TURBO S2
39	215671	gear lever		1		MT 1740 SL S2, MT 1740 SL TURBO S2
40	211278	Handle		1		MT 1740 SL S2, MT 1740 SL TURBO S2
41	12109	Complete clevis	-	1		MT 1740 SL S2, MT 1740 SL TURBO S2

8 AA 238

ADAPTATION CABINE
KABINE ANPASSUNG
ADAPTACION CABINA
CAB ADAPTATION
ADATTAMENTO CABINA

MT 1740 SL
MT 1740 SL Turbo



P.A.O. xp
10 / 07 / 02

Позиция	№ детали	Название	Characteristics	K-во	Superseded PartNumber	Product Type
58	941510	lock		1	549045	MT 1740 SL S2, MT 1740 SL TURBO S2
59	485980	nut	M4	2		MT 1740 SL S2, MT 1740 SL TURBO S2
60	178125	Nut	M6	3		MT 1740 SL S2, MT 1740 SL TURBO S2
61	174132	JZC washer	M6	1		MT 1740 SL S2, MT 1740 SL TURBO S2
62	562605	Insert		2		MT 1740 SL S2, MT 1740 SL TURBO S2
63	199976	Black screw	M5	3		MT 1740 SL S2, MT 1740 SL TURBO S2
64	551581	Packing		1		MT 1740 SL S2, MT 1740 SL TURBO S2
65	201935	hinge		1		MT 1740 SL S2, MT 1740 SL TURBO S2
66	185361	Left-hand hinge		1	562387, 203452, 189470, 453956, 750457, 179138, 183398	MT 1740 SL S2, MT 1740 SL TURBO S2
67	185361	Left-hand hinge		1	562387, 203452, 189470, 453956, 750457, 179138, 183398	MT 1740 SL S2, MT 1740 SL TURBO S2
68	551586	Adhesive		1		MT 1740 SL S2, MT 1740 SL TURBO S2
69	702962	door		1	600977, 551578	MT 1740 SL S2, MT 1740 SL TURBO S2
70	565483	Complete lower door		1		MT 1740 SL S2, MT 1740 SL TURBO S2
71	958300	CHEMICAL PRODUCT		1	562046	MT 1740 SL S2, MT 1740 SL TURBO S2
72	184818	Ignition key		2		MT 1740 SL S2, MT 1740 SL TURBO S2
73	602731	Pin		1		MT 1740 SL S2, MT 1740 SL TURBO S2
74	42325	Washer		8		MT 1740 SL S2, MT 1740 SL TURBO S2
75	42325	Washer		4		MT 1740 SL S2, MT 1740 SL TURBO S2
76	603173	clip		1	549072, 272118	MT 1740 SL S2, MT 1740 SL TURBO S2
77	601455	Screw		1		MT 1740 SL S2, MT 1740 SL TURBO S2
78	233285	panel		1		MT 1740 SL S2, MT 1740 SL TURBO S2
79	233286	panel		1		MT 1740 SL S2, MT 1740 SL TURBO S2
80	602732	Stop washer		1		MT 1740 SL S2, MT 1740 SL TURBO S2
81	600940	Door locking		1		MT 1740 SL S2, MT 1740 SL TURBO S2

Позиция	№ детали	Название	Characteristics	К-во	Superseded PartNumber	Product Type
1	295113	universal joint		1	230382	MT 1740 SL S2, MT 1740 SL TURBO S2
3	749824	Crosspiece of drive shaft		2		MT 1740 SL S2, MT 1740 SL TURBO S2
4	109754	Greaser		3		MT 1740 SL S2, MT 1740 SL TURBO S2
5	109755	Seal		1		MT 1740 SL S2, MT 1740 SL TURBO S2
6	109751	Half clamp		4		MT 1740 SL S2, MT 1740 SL TURBO S2
7	109752	Screw		8		MT 1740 SL S2, MT 1740 SL TURBO S2

CLICK HERE TO **DOWNLOAD** THE COMPLETE MANUAL

- Thank you very much for reading the preview of the manual.
- You can download the complete manual from: www.heydownloads.com by clicking the link below



- Please note: If there is no response to CLICKING the link, please download this PDF first and then click on it.

CLICK HERE TO **DOWNLOAD** THE COMPLETE MANUAL