



**COSTRUZIONI INDUSTRIALI
VIA CRISTOFORO COLOMBO 2
LOC. CAVAZZONA
41013 CASTELFRANCO EMILIA
MODENA TEL. 059/959811**

A PARTIRE DALLA MACCHINA
A PARTIR DE LA MACHINE
FROM MACHINE
AB DER MASCHINE
A PARTIR DE LA MAQUINA

E PER - ET POUR
AND FOR - UND FÜR
Y PARA
N° 23460 - 414927

I-► N° 23598 - 759346

REF: 648585

03/2011

MHT 780

Evolution

E3 - Serie 2

**CATALOGO RICAMBI
CATALOGUE PIECES
PARTS CATALOGUE
ERSATZTEILKATALOG
CATALOGO PIEZAS**

PARTE

1/2

CLICK HERE TO **DOWNLOAD** THE COMPLETE MANUAL

- Thank you very much for reading the preview of the manual.
- You can download the complete manual from: www.heydownloads.com by clicking the link below

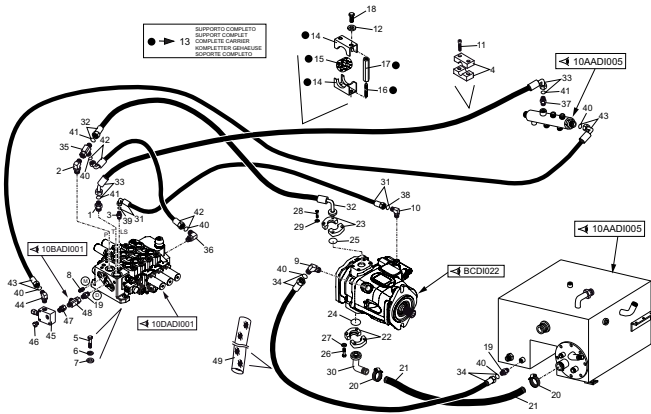


- Please note: If there is no response to CLICKING the link, please download this PDF first and then click on it.

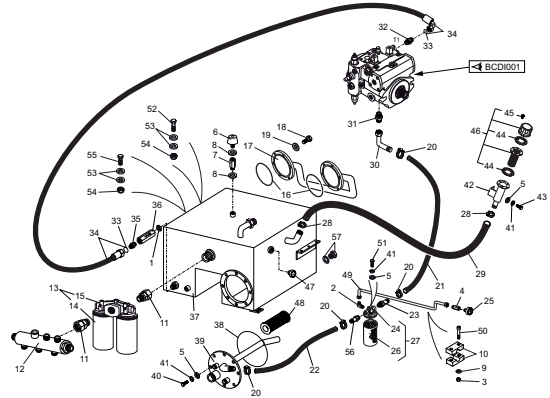
CLICK HERE TO **DOWNLOAD** THE COMPLETE MANUAL

INDEX

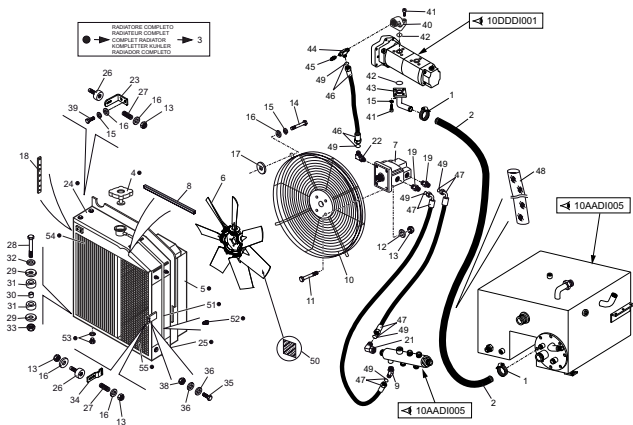
10AADI001



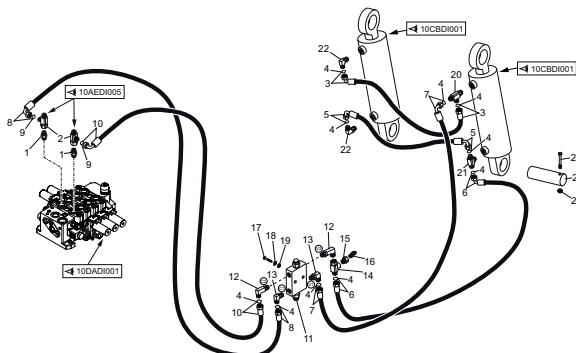
10AADI005



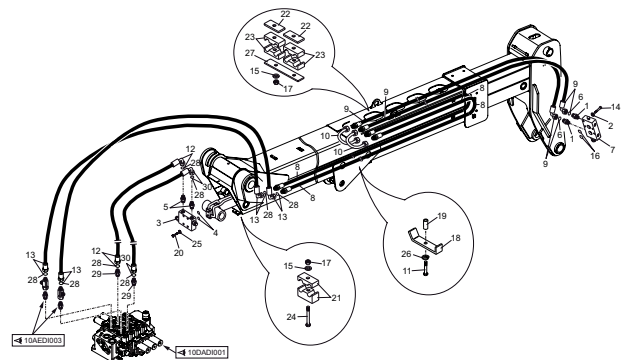
10AADI010



10AEDI003

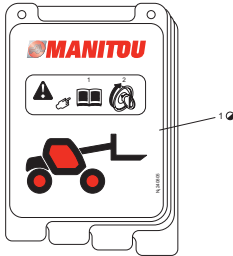


10AEDI005



INDEX

12AADI001



FORNITO SOLAMENTE COMUNICANDO MATRICOLA DELLA MACCHINA
 FOURNISHED ONLY COMMUNICATING MACHINE SERIAL NUMBER
 DELIVERED ONLY IN VERBODING STEKENDEN SERIAL NUMBER GRUNDLAGEMASCHINE
 PROVVEDEDO SOLO COMUNICANDO MATRICOLA MACQUINTA

- 1 (I)
- 1 (F)
- 1 (GB)
- 1 (D)
- 1 (ES)

12AADI002

STOP 10

Evolution 5 14

TURBO 4 13

MHT 780 6 12

5 bar - 70 PSI

DIESEL 7

ANTIGEL ANTI-FREEZE FROSTSCHUTZ ANTICONGELANTE

-21 C -6 F	-30 C -22 F	-40 C -40 F
---------------	----------------	----------------

HUILE HYDRAULIQUE HYDRAULIC OIL HYDRAULIK ÖL ACEITE HIDRAULICO

PERICOLO NON APRIRE IL COFANO CON MOTORE ACESO

- 2 (I)
- 2 (F)
- 2 (GB)
- 2 (D)
- 2 (ES)

12AADI003

MANISCOPIC 2

ATTENZIONE LIQUIDO PER FRENI
 Utilizzare ESCLUSIVAMENTE olio minerale
 CONSIGLIATO LHM

20 8

25 9

40 70

105 dB LWA

MANITOU 10 4 11

STOP 2 3

IMPORTANTE

MANITOU 6

- 3 (I)
- 3 (F)
- 3 (GB)
- 3 (D)
- 3 (ES)

- 6 (I)
- 6 (F)
- 6 (GB)
- 6 (D)
- 6 (ES)

12AADI004

STOP 2 3

IMPORTANTE

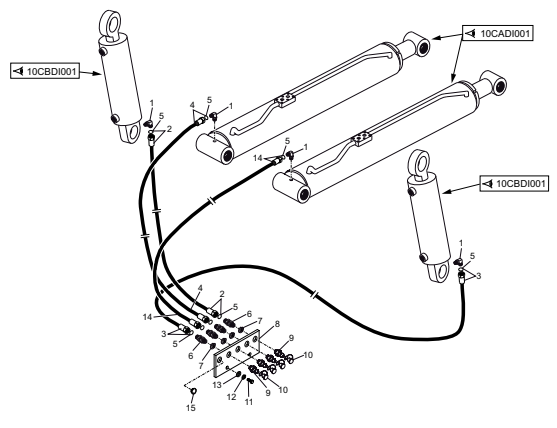
MANITOU 6

STOP 4

STOP 5

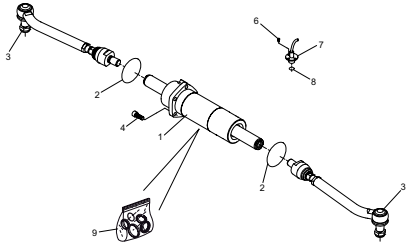
- 1 (I)
- 1 (F)
- 1 (GB)
- 1 (D)
- 1 (ES)

17AADI001

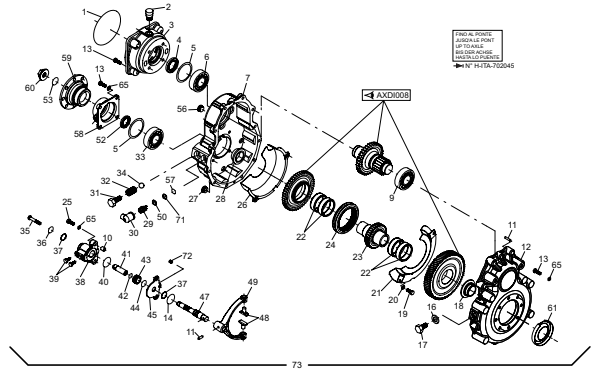


INDEX

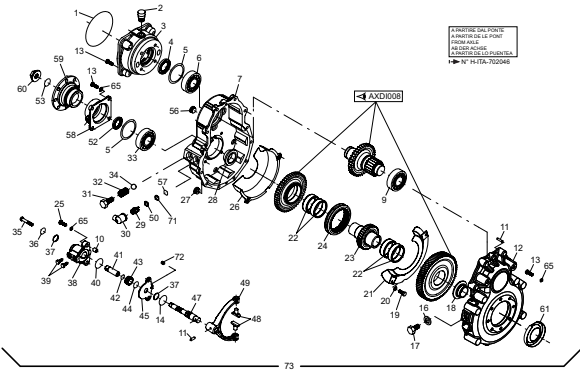
AXDI005



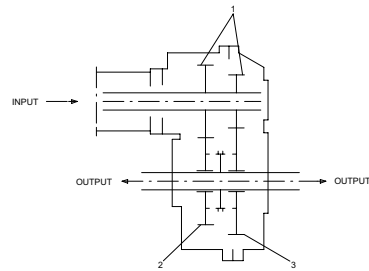
AXDI007



AXDIA007



AXDI008

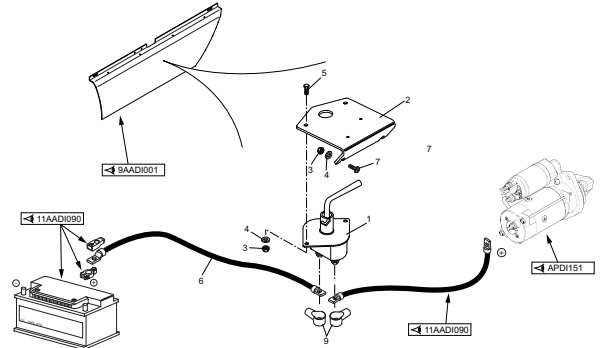


INDEX

11AADI095

OPTIONS

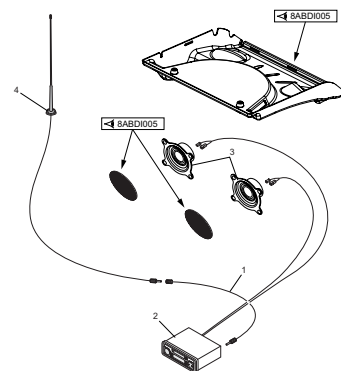
KIT DEGAGEMENT BATTERIE
777296



11ABDI001

OPTIONS

ELECTRICITE (RADIO)
608652



Rep Item	1/1	648585	ALLESTIMENTO MOTORE - TRASMISSIONE (Filtro aria) ADAPTATION MOTEUR-TRANSMISSION (Filtre a air) ENGINE-TRANSMISSION ADAPTATION (Air cleaner) MOTOR-GETRIEBE ANPASSUNG (Luftfilter) ADAPTACION MOTOR - TRANSMISION (Filtro de aire)				MHT 780			Quantity	Quantità	4AADI
			Part. Number	DESCRIZIONE	DESIGNATION	DESCRIPTION	BEZEICHNUNG	DESCRIPCION	Quantity	Menge	003	
1		741369	filtro completo	filtre complet	complete filter	filter komplett	filtro completo	1				
2		776004	manicotto	manchon	sleeve	muffe	manga	1				
3		723765	indicatore	indicateur	indicator	zeiger	indicador	1				
4		775480	cartuccia	cartouche	cartridge	patrone	cartucho	1				
5		775479	cartuccia	cartouche	cartridge	patrone	cartucho	1				
6		776002	coperchio	couvercle	cover	deckel	tapa	1				
7		776003	gancio	crocket	hook	haken	gancho	3				
8		656731	valvola	soupape	valve	ventil	valvula	1				
9		776005	fascetta	collier	clamp	schelle	abrazadera	1				

Rep Item	Part. Number	CIRCUITO TRASMISSIONE IDROSTATICA (Circuito cambio di velocità) CIRCUIT TRANSMISSION HYDROSTATIQUE (Circuit changement vitesse) HYDROSTATIC TRANSMISSION CIRCUIT (Speed changer circuit) HYDROSTATICK GETRIEBEKREIS (Geschw-wechselkreis) CIRCUITO TRANSMISION HIDROSTATICA (Circuito cambio de velocidad)				MHT 780			
		DESCRIZIONE	DESIGNATION	DESCRIPTION	BEZEICHNUNG	DESCRIPCION	Quantity	Menge	Quantità
1/1									4ABDI 020
1	569309	elettrovalvola	soupape electrique	solenoid valve	elektroventil	electrovalvula	1		
2	569257	bobina	bobine	reel	rolle	bobina	2		
3	487366	raccordo	raccord	pipe fitting	rohrverbindung	conexion	4		
4	505198	vite	vis	screw	schraube	tomillo	2		
5	448401	rondella	rondelle	washer	unterlegscheibe	arandela	2		
6	455018	rondella	rondelle	washer	unterlegscheibe	arandela	2		
7	175498	raccordo	raccord	pipe fitting	rohrverbindung	conexion	2		
8	744526	tubo	tuyau	hose	schlauch	tubo	2		
9	744544	tubo	tuyau	hose	schlauch	tubo	1		
10	743663	tubo	tuyau	hose	schlauch	tubo	1		
11	501219	guarnizione	joint	seal	dichtung	guarnicion	1		
12	501220	guarnizione	joint	seal	dichtung	guarnicion	7		

Rep Item	1/1	648585	ZAVORRE LEST BALLAST BALLAST CONTRAPESO				6AADI 006				
			Part. Number	DESCRIZIONE	DESIGNATION	DESCRIPTION	BEZEICHNUNG	DESCRIPCION	Quantity	Menge	Quantità
1	527804	zavorra	lest	ballast	ballast	contrapeso	contrapeso	1			MHT 780
2	527805	zavorra	lest	ballast	ballast	contrapeso	contrapeso	1			
3	484150	vite	vis	screw	screw	schraube	tornillo	4			
4	471318	rondella	rondelle	washer	washer	unterlegscheibe	arandela	10			
5	527987	vite	vis	screw	screw	schraube	tornillo	2			
6	881372	zavorra	lest	ballast	ballast	contrapeso	contrapeso	1			
7	544179	staffa	etrier	bracket	bracket	buegel	estribo	1			
8	545050	vite	vis	screw	screw	schraube	tornillo	4			
9	487198	rondella	rondelle	washer	washer	unterlegscheibe	arandela	8			
10	479764	dado	ecrou	nut	nut	mutter	tuerca	4			
11	579646	protezione	protection	guard	guard	schutz	proteccion	1			
12	509930	perno	pivot	pin	pin	bolzen	perno	1			
13	470139	copiglia	goupille	cotter pin	cotter pin	splint	clavija	1			
14	478860	vite	vis	screw	screw	schraube	tornillo	4			

Rep Item	Part. Number	PEDALE ACCELERATORE PEDALE ACCELERATEUR ACCELERATOR PEDAL GASPEDAL PEDAL ACELERADOR				MHT 780	Quantità Quantity Quantité		6BBDI 005
		DESCRIZIONE	DESIGNATION	DESCRIPTION	BEZEICHNUNG		DESCRIPCION	Menge Quantità	
1	265406	pedale acceleratore	pedale accelerateur	accelerator pedal	gaspedal	pedal acelerador	1		
2	224862	supporto	support	support	lager	soporte	1		
3	471402	dado	ecrou	nut	mutter	tuerca	2		
4	77957	guida	guide	guide	fuehrung	guia	2		
5	487815	vite	vis	screw	schraube	tornillo	2		
6	448401	rondella	rondelle	washer	unterlegscheibe	arandela	3		
7	486204	perno	pivot	pin	bolzen	perno	1		
8	744416	forcella	fourchette	fork	gabel	horquilla	1		
9	266031	cavo	cable	cable	kabel	cable	1		
10	471360	rondella	rondelle	washer	unterlegscheibe	arandela	1		
11	455185	dado	ecrou	nut	mutter	tuerca	1		
12	885606	supporto	support	support	lager	soporte	1		
13	266041	potenziometro	potentiometre	potentiometer	potentiometer	potenciometro	1		
14	471349	vite	vis	screw	schraube	tornillo	2		
15	448285	rondella	rondelle	washer	unterlegscheibe	arandela	2		
16	471360	rondella	rondelle	washer	unterlegscheibe	arandela	2		
17	471377	vite	vis	screw	schraube	tornillo	2		
18	455018	rondella	rondelle	washer	unterlegscheibe	arandela	4		
19	471403	vite	vis	screw	schraube	tornillo	1		

Rep Item	Part. Number	CABINA (Particolari) CABINE (Details) CAB (Details) KABINE (Einzelteile) CABINA (Detailes)				8ABDI 005			
		DESCRIZIONE	DESIGNATION	DESCRIPTION	BEZEICHNUNG	DESCRIPCION	Quantity Quantité	Menge Quantität	8ABDI 005
1/2							MHT 780		
1	882894	tettuccio	toit	canopy	fahrrerhausdach	tejadillo	1		
2	778321	cornice	cadre	frame	rahmen	marco	1		
3	882638	rondella	rondelle	washer	unterlegscheibe	arandela	2		
4	882639	vite	vis	screw	schraube	tornillo	2		
5	882640	lampada	lampe	lamp	lampe	lampara	1		
6	882641	linguetta	linguette	tab	feder	lengueta	2		
7	882642	rivetto	rivet	rivet	niete	roblon	4		
8	882643	fermo	arretoir	retainer	halterung	reten	8		
9	882644	griglia	grille	grate	gitter	rejilla	2		
10	882645	vite	vis	screw	schraube	tornillo	8		
11	224765	interruttore	interrupteur	switch	schalter	interruptor	1		
12	747115	interruttore	interrupteur	switch	schalter	interruptor	1		
13	882603	cappuccio	capuchon	cover	kappe	capucha	1		
14	672138	vetrino	vitre	glass	glas	barniz vitreo	1		
15	882896	staffa	etrier	bracket	buegel	estribo	1		
16	882647	inserto	insert	insert	stuck	pion	5		
17	882648	inserto	insert	insert	stuck	pion	6		
18	882650	rondella	rondelle	washer	unterlegscheibe	arandela	4		
19	882651	vite	vis	screw	schraube	tornillo	5		
20	882897	supporto	support	support	lager	soporte	1		
21	882649	gabbietta	cage	retainer	kaefig	caja-jaula	2		
22	505234	vite	vis	screw	schraube	tornillo	2		
23	739305	rondella	rondelle	washer	unterlegscheibe	arandela	2		
24	882658	vite	vis	screw	schraube	tornillo	6		
25	510118	lampadina	lampe	bulb	birne	lamparilla	x		

		CABINA (Dispositivo di sicurezza) CABINE (Systeme de securite) CAB (Safety system) KABINE (Sicherheitsvorrichtung) CABINA (Dispositivo de seguridad)				Quantity Quantität		8ACDI 005	
Rep Item	648585	Part. Number	DESCRIZIONE	DESIGNATION	DESCRIPTION	BEZEICHNUNG	DESCRIPCION	MHT 780	
1		509048	scatola	boite	housing	gehaeuse	caja	1	
2		482749	vite	vis	screw	schraube	tornillo	2	
3		568272	rondella	rondelle	washer	unterlegscheibe	arandela	2	
4		485980	dado	ecrou	nut	mutter	tuerca	2	

1/2	648585	CARROZZERIA - TELAIO CARROSSERIE - CHASSIS BODY - FRAME KARROSSERIE - GESTELL CARROCERIA - BASTIDOR				MHT 780			9AADI 002	
		Rep Item	Part. Number	DESCRIZIONE	DESIGNATION	DESCRIPTION	BEZEICHNUNG	DESCRIPCION	Quantity Quantité	Menge Quantità
1	471360	rondella	rondelle	washer	unterlegscheibe	arandela	11			
2	505245	rondella	rondelle	washer	unterlegscheibe	arandela	8			
3	448677	vite	vis	screw	schraube	tornillo	10			
4	471388	vite	vis	screw	schraube	tornillo	1			
5	737643	rondella	rondelle	washer	unterlegscheibe	arandela	2			
6	471403	vite	vis	screw	schraube	tornillo	6			
7	880749	supporto	support	support	lager	soporte	1			
8	508549	gabbietta	cage	retainer	kaefig	caja-jaula (M6)	2			
9	880753	carter	carter	housing	gehaeuse	carter	1			
10	471320	dado	ecrou	nut	mutter	tuerca	2			
11	774291	piastra	plaque	plate	platte	plancha	2			
12	448285	rondella	rondelle	washer	unterlegscheibe	arandela	11			
13	527966	gabbietta	cage	retainer	kaefig	caja-jaula (M8)	4			
14	448401	rondella	rondelle	washer	unterlegscheibe	arandela	12			
15	776851	vite	vis	screw	schraube	tornillo	4			
16	689336	puntale	butee	push rod	stuetze	puntal	2			
17	737642	spina	cheville	pin	stift	pernio	2			
18	718920	protezione	protection	guard	schutz	proteccion	1			
19	880745	supporto	support	support	lager	soporte	1			
20	882952	coperchio	couvercle	cover	deckel	tapa	1			
21	484100	rondella	rondelle	washer	unterlegscheibe	arandela	2			
22	775930	carter	carter	housing	gehaeuse	carter	1			
23	777184	carter	carter	housing	gehaeuse	carter	1			
24	737644	piatto	plateau	plate	teller	plato	2			
25	882953	coperchio	couvercle	cover	deckel	tapa	1			

1/1	648585	IMPIANTO IDRAULICO (Circuito alimentazione braccio) HYDRAULIQUE (Circuit alimentation fleche) HYDRAULIC (Jib feed circuit) HIDRAULIK (Ausleger zuschiebung kreis) HIDRAULICO (Circuito alimentacion aguilon)				Quantity Quantità		10AEDI 003
		Rep Item	Part. Number	DESCRIZIONE	DESIGNATION	DESCRIPTION	BEZEICHNUNG	DESCRIPCION
1	482664	raccordo	raccord	pipe fitting	rohrverbindung	conexion	2	
2	577578	raccordo	raccord	pipe fitting	rohrverbindung	conexion	2	
3	777471	tubo	tuyau	hose	schlauch	tubo	1	
4	501224	guarnizione	joint	seal	dichtung	guarnicion	10	
5	777470	tubo	tuyau	hose	schlauch	tubo	1	
6	775236	tubo	tuyau	hose	schlauch	tubo	1	
7	775232	tubo	tuyau	hose	schlauch	tubo	1	
8	777090	tubo	tuyau	hose	schlauch	tubo	1	
9	501225	guarnizione	joint	seal	dichtung	guarnicion	2	
10	885797	tubo	tuyau	hose	schlauch	tubo	1	
11	568378	valvola	soupape	valve	ventil	valvula	1	
12	740639	raccordo	raccord	pipe fitting	rohrverbindung	conexion	2	
13	503921	raccordo	raccord	pipe fitting	rohrverbindung	conexion	2	
14	504999	raccordo	raccord	pipe fitting	rohrverbindung	conexion	1	
15	513788	raccordo	raccord	pipe fitting	rohrverbindung	conexion	1	
16	448282	raccordo	raccord	pipe fitting	rohrverbindung	conexion	1	
17	471339	vite	vis	screw	schraube	tornillo	2	
18	448285	rondella	rondelle	washer	unterlegscheibe	arandela	2	
19	471360	rondella	rondelle	washer	unterlegscheibe	arandela	2	
20	488442	raccordo	raccord	pipe fitting	rohrverbindung	conexion	1	
21	488443	raccordo	raccord	pipe fitting	rohrverbindung	conexion	1	
22	673826	raccordo	raccord	pipe fitting	rohrverbindung	conexion	2	
23	730821	perno	pivot	pin	bolzen	perno	2	
24	478557	vite	vis	screw	schraube	tornillo	2	
25	448057	dado	ecrou	nut	mutter	tuerca	2	

Rep Item	Part. Number	IMPIANTO IDRAULICO (Cilindro di sollevamento)				10CADI 001					
		DESCRIZIONE	DESIGNATION	DESCRIPTION	BEZEICHNUNG	DESCRIPCION	Quantity	Menge	Quantità		
1/1	648585	HYDRAULIQUE (Vérin de levage) HYDRAULIC (Lifting cylinder) HYDRAULIK (Aufwinden zylinder) HIDRAULICO (Cilindro de levantamiento)							MHT 780		
1	479725	boccola	douille	bushing	buchse	buje	8				
2	883061	grano	pivot de repere	dowel pin	stift	perno de centrado	2				
3	675980	guarnizione	joint	seal	dichtung	guarnicion	4				
4	579729	guarnizione	joint	seal	dichtung	guarnicion	2				
5	659702	anello	bage	ring	ring	anillo	2				
6	883055	pistone	piston	piston	kolben	piston	2				
7	883063	distanziale	entretoise	spacer	abstandstuck	separador	2				
8	470719	ingrassatore	graisseur	grease nipple	fettbuechse	engrasador	2				
9	883058	stelo	tige	rod	spindel	vastago	2				
10	883056	camicia	chemise	cylinder liner	laufbuchse	camisa	2				
11	742590	guarnizione	joint	seal	dichtung	guarnicion	4				
12	883057	testata	culasse	cylinder head	zylinderkopf	cabezera	2				
13	675975	guarnizione	joint	seal	dichtung	guarnicion	2				
14	675974	anello	bage	ring	ring	anillo	2				
15	883059	guarnizione	joint	seal	dichtung	guarnicion	2				
16	717267	guarnizione	joint	seal	dichtung	guarnicion	2				
17	883062	distanziale	entretoise	spacer	abstandstuck	separador	2				
18	730416	cilindro completo	verin complet	cylinder ass'y	kompletter zylinder	cilindro completo	2				
19	883060	guarnizione	joint	seal	dichtung	guarnicion	2				
20	883064	kit guarnizioni	kit joints	seal kit	dichtungssatz	junta de repuesto	2				
21	718074	cappuccio	capuchon	cover	kappe	capucha	2				

Rep Item	1/1	648585	DISTRIBUTORE DISTRIBUTEUR CONTROL VALVE STUEERBLOCK DISTRIBUIDOR				MHT 780	Quantità Menge Quantität			10DADI 002
			Part. Number	DESCRIZIONE	DESIGNATION	DESCRIPTION		BEZEICHNUNG	DESCRIPCION		
1		794785	elemento completo	kit élément	element assembly	element complete	elemento completo	1			
8		604618	valvola	soupape	valve	ventil	valvula	1			
9		564748	valvola	soupape	valve	ventil	valvula	1			
10		564756	kit guarnizioni	kit joints	seal kit	dichtungssatz	junta de repuesto	1			
50		600964	filtro	filtre	filter	filter	filtro	1			
130		604620	kit guarnizioni	kit joints	seal kit	dichtungssatz	junta de repuesto	1			
133		564747	kit guarnizioni	kit joints	seal kit	dichtungssatz	junta de repuesto	1			
134		604619	kit guarnizioni	kit joints	seal kit	dichtungssatz	junta de repuesto	1			
165		794704	bobina	bobine	reel	rolle	bobina	1			
170		794705	elettrovalvola	soupape electrique	solenoid valve	elektroventil	electrovalvula	1			
180		600448	kit selettore	kit selecteur	shuttle valve kit	wechselventilbausatz	kit válvula de lanzadera	1			
183		601678	kit pistone	kit piston	piston kit	kolbensatz	kit piston	1			
184		601683	kit otturatore	kit obturation	plugging kit	verschlubbausatz	kit el tapar	1			

1/1	648585	DISTRIBUTORE DISTRIBUTEUR CONTROL VALVE STUEERBLOCK DISTRIBUIDOR				10DADI 007			
Rep Item	Part. Number	DESCRIZIONE	DESIGNATION	DESCRIPTION	BEZEICHNUNG	DESCRIPCION	MHT 780	Quantity Quantité	Quantity Menge Quantità
1	888022	elemento completo	kit élément	element assembly	element komplette	elemento completo	1		
3	706698	kit regolazione	kit de régulation	adjuster kit	regelbausatz	kit regulacion	1		
12	794710	kit guarnizioni	kit joints	seal kit	dichtungssatz	junta de repuesto	1		
142	794714	kit tirante	jeu tirant	tie rod kit	spannstangesatz	kit tirante	1		

Rep Item	Part. Number	IMPIANTO IDRAULICO (Servocomandi)				Quantity			10EADI 010	
		DESCRIZIONE	DESIGNATION	DESCRIPTION	BEZEICHNUNG	DESCRIPCION	Quantity	Menge		Quantità
1/1	648585	IMPIANTO IDRAULICO (Servocomandi) HYDRAULIQUE (Servocommande) HYDRAULIC (Hydraulic controls) HYDRAULIK (Hydraulik kommande) HIDRAULICO (Servomando)							MHT 780	
1	487366	raccordo	raccord	pipe fitting	rohrverbindung	conexion	2			
2	508804	raccordo	raccord	pipe fitting	rohrverbindung	conexion	1			
3	501220	guarnizione	joint	seal	dichtung	guarnicion	5			
4	501219	guarnizione	joint	seal	dichtung	guarnicion	16			
5	885788	tubo	tuyau	hose	schlauch	tubo	1			
6	885563	bobina	bobine	reel	rolle	bobina	1			
7	882324	valvola	soupape	valve	ventil	valvula	1			
8	884315	raccordo	raccord	pipe fitting	rohrverbindung	conexion	2			
9	885789	tubo	tuyau	hose	schlauch	tubo	1			
10	513078	raccordo	raccord	pipe fitting	rohrverbindung	conexion	1			
11	508476	raccordo	raccord	pipe fitting	rohrverbindung	conexion	2			
12	488489	raccordo	raccord	pipe fitting	rohrverbindung	conexion	1			
13	488487	raccordo	raccord	pipe fitting	rohrverbindung	conexion	8			
14	488486	raccordo	raccord	pipe fitting	rohrverbindung	conexion	2			
15	885808	tubo	tuyau	hose	schlauch	tubo	1			
16	607387	raccordo	raccord	pipe fitting	rohrverbindung	conexion	2			
17	885800	tubo	tuyau	hose	schlauch	tubo	1			
18	777117	tubo	tuyau	hose	schlauch	tubo	1			
19	884990	tubo	tuyau	hose	schlauch	tubo	1			
20	775867	tubo	tuyau	hose	schlauch	tubo	1			
21	885806	tubo	tuyau	hose	schlauch	tubo	1			
22	777116	tubo	tuyau	hose	schlauch	tubo	1			
23	885805	tubo	tuyau	hose	schlauch	tubo	1			

Rep Item	648585	ELETRICITA' (Cablaggio cruscotto) ELECTRICITE (Cablage tableau de bord) ELECTRICITY (Instrum. Board cable) ELEKTRIZITAT (Verkabelung instrumentbrett) ELECTRICIDAD (Cableado cuadro controllo)				Quantity Quantità Menge Quantität			11AADI 013
		Part. Number	DESCRIZIONE	DESIGNATION	DESCRIPTION	BEZEICHNUNG	DESCRIPCION	MHT 780	
1	606777	connettore	connecteur	connector	conector	conector	5		
2	775716	terminale	borne	terminal	terminal	terminal	x		
3	659986	terminale	borne	terminal	terminal	terminal	x		
4	775715	connettore	connecteur	connector	conector	conector	8		
5	738308	terminale	borne	terminal	terminal	terminal	x		
6	775722	terminale	borne	terminal	terminal	terminal	x		

CLICK HERE TO **DOWNLOAD** THE COMPLETE MANUAL

- Thank you very much for reading the preview of the manual.
- You can download the complete manual from: www.heydownloads.com by clicking the link below



- Please note: If there is no response to CLICKING the link, please download this PDF first and then click on it.

CLICK HERE TO **DOWNLOAD** THE COMPLETE MANUAL

1/2	648585	ELETTRICITA' (Cablaggio motore) ELECTRICITE (Cablage moteur) ELECTRICITY (Engine electric system) ELEKTRIZITAT (Elektric anlage motor) ELECTRICIDAD (Instalacion electrica motor)				MHT 780			11CDDI 002	
		Rep Item	Part. Number	DESCRIZIONE	DESIGNATION	DESCRIPTION	BEZEICHNUNG	DESCRIPCION	Quantity Quantité	Menge Quantità
1	742971	piastra	plaque	plate		platte		plancha	1	
2	471403	vite	vis	screw		schraube		tornillo	3	
3	505245	rondella	rondelle	washer		unterlegscheibe		arandela	3	
4	455018	rondella	rondelle	washer		unterlegscheibe		arandela	3	
5	738335	connettore	connecteur	connector		verbindung		conector	2	
6	738254	connettore	connecteur	connector		verbindung		conector	1	
7	775182	rele	relais	relay		relais		relé	1	
8	738253	protezione	protection	guard		schutz		proteccion	2	
9	738255	rele	relais	relay		relais		relé	1	
10	742973	connettore	connecteur	connector		verbindung		conector	1	
11	738319	terminale	borne	terminal		endverschluss		terminal	x	
12	738307	terminale	borne	terminal		endverschluss		terminal	x	
13	471402	dado	ecrou	nut		mutter		tuerca	3	
14	742719	rele	relais	relay		relais		relé	1	
15	742920	fusibile	fusible	fuse		sicherung		fusible	1	
16	777356	portafusibile	porte-fusible	fuse holder		sicherungssockel		porta-fusible	1	
17	882420	supporto	support	support		lager		soporte	1	
18	777353	portafusibile	porte-fusible	fuse holder		sicherungssockel		porta-fusible	1	
19	882386	terminale	borne	terminal		endverschluss		terminal	x	
20	777355	coperchio	couvercle	cover		deckel		tapa	1	
21	742918	portafusibile	porte-fusible	fuse holder		sicherungssockel		porta-fusible	1	
22	777358	staffa	etrier	bracket		buegel		estribo	2	
23	775541	staffa	etrier	bracket		buegel		estribo	2	
24	742646	fusibile	fusible	fuse		sicherung		fusible	2	
25	710336	fusibile	fusible	fuse		sicherung		fusible	2	

Rep Item	Part. Number	TARGHETTE ADHESIFS ADHESIVES KLEBSTOFF ADHESIVO				Quantity Menge Quantità			12AADI 001
		DESCRIZIONE	DESIGNATION	DESCRIPTION	BEZEICHNUNG	DESCRIPCION	Quantity	Menge	
1/1	648585								
1	717463	libretto	notice	booklet	bedienungsanleitung	tarjeta	MHT 780	1	

MOTORE
MOTEUR - ENGINE
MOTOR - MOTOR

TIPO - TYPE
TYPE - TYPEN **NJ75411** **1104D-E44TA**
TIPO

NUMERO - REFERENCE
NUMBER - NUMBER **884084**
NUMERO

ALBERO A MANOVELLA-BIELLE E PISTONI
VILEBREQUIN PISTONS ET BIELLES
CRANKSHAFT, PISTONS AND CONNECTING RODS
KURBELWELLE, KOLBEN UND PLEUEL
CIGUENAL, PISTONES A BIELAS

Rep Item	Part. Number	DESCRIZIONE	DESIGNATION	DESCRIPTION	BEZEICHNUNG	DESCRIPCION	Quantità			APDIA	
							Quantity	Menge	Quantità		780
1/2											
1	750521	kit albero gomiti	jeu vilebrequin	kit crankshaft	kurbelwellensatz	cinguenal juego					
2	788145	kit bronzine	jeu de coussinet	beushing kit	bronzlager-satz	kit casquillos					
3	750509	kit bronzine	jeu de coussinet	beushing kit	bronzlager-satz	kit casquillos -0.25mm					
3	750510	kit bronzine	jeu de coussinet	beushing kit	bronzlager-satz	kit casquillos -0.50mm					
3	750511	kit bronzine	jeu de coussinet	beushing kit	bronzlager-satz	kit casquillos -0.75mm					
4	750508	kit cuscinetto	jeu coussinets	kit bearing	lagersatz	juego cojinetes					
5	109834	rondella	rondelle	washer	unterlegscheibe	arandela					
5	133768	rondella	rondelle	washer	unterlegscheibe	arandela +0.007"					
6	109835	rondella	rondelle	washer	unterlegscheibe	arandela					
6	133770	rondella	rondelle	washer	unterlegscheibe	arandela +0.007"					
7	604912	ingranaggio	engrenage	gear	zahnrad	engranaje					
8	133636	chiavetta	clavette	woodruff key	keil	chaveta					
9	750520	spina	cheville	pin	stift	pernio					
10	788115	carter	carter	housing	gehaeuse	carter					
11	740837	vite	vis	screw	schraube	tornillo					
12	775805	kit pistone	kit piston	piston kit	kolbensatz	kit piston					
13	740840	kit anelli	jeu de bagues	rings kit	ringsatz	kit anillos					
14	563226	seeger	arretoir	circlip	seeger-ring	circlip					
15	750513	kit biella	kit bielle	tie rod kit (red)	pleuelsatz (grade R)	juego de biela					
15	750514	kit biella	kit bielle	tie rod kit (orange)	pleuelsatz (grade O)	juego de biela					
15	750515	kit biella	kit bielle	tie rod kit (white)	pleuelsatz (grade W)	juego de biela					
15	750516	kit biella	kit bielle	tie rod kit (green)	pleuelsatz (grade G)	juego de biela					
15	750517	kit biella	kit bielle	tie rod kit (purple)	pleuelsatz (grade P)	juego de biela					
15	750518	kit biella	kit bielle	tie rod kit (blue)	pleuelsatz (grade B)	juego de biela					

Rep Item	Part. Number	COPPA OLIO - ASTA LIVELLO OLIO CARTER D'HUILE - JAUGE DE NIVEAU LUBRICATING OIL SUMP - DIPSTIK & FILLER TUBE SCHMIERDELWANNE - MESS-STAB CARTER DEL ACEITE LUBRICANTE - VARILLA NIVEL ACEITE				MHT 780			APDI 125
		DESCRIZIONE	DESIGNATION	DESCRIPTION	BEZEICHNUNG	DESCRIPCION	Quantity	Menge	
1/1									
1	894194	coppa olio	carter d'huile	oil sump	oelwanne	carter del aceite			
2									
3									
4	473309	tappo	bouchon	plug	stopfen	tapon			
5	474129	guarnizione	joint	seal	dichtung	guarnicion			
6	702080	guarnizione	joint	seal	dichtung	guarnicion			
7	548898	tappo	bouchon	plug	stopfen	tapon			
8	475201	vite	vis	screw	schraube	tornillo			
9	107363	vite	vis	screw	schraube	tornillo			
10	473955	vite	vis	screw	schraube	tornillo			
11	604954	supporto	support	support	lager	soporte			
12	474056	vite	vis	screw	schraube	tornillo			
13	775815	tubo	tuyau	hose	schlauch	tubo			
14	552545	fascetta	collier	clamp	schelle	abrazadera			
15	561628	asta livello	jauge de niveau	dipstick	mess-stab	varilla indic. nivel			
16	474060	ogiva	ogive	dowel	dichtkegel	ojiva			
17	775816	supporto	support	support	lager	soporte			
18	474018	vite	vis	screw	schraube	tornillo			
19	474064	vite	vis	screw	schraube	tornillo			

Rep Item	Part. Number	POMPA DELL' ACQUA POMPE A EAU WATER PUMP WASSERPUMPE BOMBA DEL AGUA				Quantità Quantity Quantité			APDI 135
		DESCRIZIONE	DESIGNATION	DESCRIPTION	BEZEICHNUNG	DESCRIPCION			
1/1	648585								
1	750529	pompa acqua	pompe a eau	water pump	wasserpumpe	bomba de agua	MHT 780	1	
2									
3	747415	guarnizione	joint	seal	dichtung	guarnicion		1	
4	740994	vite	vis	screw	schraube	tornillo		3	
5	604988	guarnizione	joint	seal	dichtung	guarnicion		1	
6	473982	vite	vis	screw	schraube	tornillo		2	
7	475057	vite	vis	screw	schraube	tornillo		2	
8	474011	vite	vis	screw	schraube	tornillo		5	

Rep Item	Part. Number	EQUIPAGGIAMENTO INIEZIONE NAFTA (DIESEL) EQUIPEMENT D'INJECTION (DIESEL) FUEL INJECTION EQUIPMENT (DIESEL) EINSPRITZANLAGE (DIESEL) EQUIPO DE INYECCION DEL COMBUSTIBLE (DIESEL)				Quantità Menge Quantität			APDI 142
		DESCRIZIONE	DESIGNATION	DESCRIPTION	BEZEICHNUNG	DESCRIPCION	Quantity	Quantité	
1/1									
1	775811	tubo	tuyau	hose	schlauch	tubo	N°1 cyl.	1	
2	775812	tubo	tuyau	hose	schlauch	tubo	N°2 cyl.	1	
3	787894	tubo	tuyau	hose	schlauch	tubo	N°3 cyl.	1	
4	750524	tubo	tuyau	hose	schlauch	tubo	N°4 cyl.	1	
5	740885	kit protezione	kit de protection	anti contamination kit	schutzsatz	equipo de proteccion		1	

24/03/2011

Rep Item	Part. Number	FILTRO GASOLIO FILTRE GASOIL FUEL FILTER DIESELFILTER FILTRO DE GASOLEO				MHT 780	Quantità Quantity Quantité			APDIA 145
		DESCRIZIONE	DESIGNATION	DESCRIPTION	BEZEICHNUNG		DESCRIPCION			
1	787345	filtro completo	filtre complet	complete filter	filter komplett	filtro completo	1			
2	747351	filtro gasolio	filtre gasoil	fuel filter	dieselfilter	filtro de gasoleo	1			
3	740885	kit protezione	kit de protection	anti contamination kit	schutzsatz	equipo de proteccion	1			
4										

24/03/2011

		ALTERNATORE E GENERATORE ALTERNATEUR ET DYNAMO ALTERNATOR AND GENERATOR DREHSTROM-WECHSELSTROM-LICHTMASCHINE ALTERNADOR Y DINAMO				Quantità MHT 780		APDI 152		
1/1	648585	Part. Number	DESCRIZIONE	DESIGNATION	DESCRIPTION	BEZEICHNUNG	DESCRIPCION	Quantity	Menge	Quantità
1	604999	supporto	supporto	support	support	lager	soporte	1		
2	605000	vite	vis	screw	screw	schraube	tornillo	2		
3	550482	vite	vis	screw	screw	schraube	tornillo	1		
4	551662	dado	ecrou	nut	nut	mutter	tuerca	1		
5	605001	tirante	tirant	tie rod	tie rod	spannstange	tirante	1		
6	473986	vite	vis	screw	screw	schraube	tornillo	1		
7	133707	rondella	rondelle	washer	washer	unterlegscheibe	arandela	2		
8	563744	vite	vis	screw	screw	schraube	tornillo	1		
9	473969	dado	ecrou	nut	nut	mutter	tuerca	1		
10	108564	distanziale	entretoise	spacer	spacer	abstandstuck	separador	1		
11	702307	puleggia	poulie	pulley	pulley	riemenscheibe	polea	1		
12	780160	alternatore	alternateur	alternator	alternator	drehstrom-lichtmaschine	alternador	1		

Rep Item	Part. Number	TURBO COMPRESSORE TURBO-COMPRESSEUR TURBOCHANGER TURBOLADER TURBOSOPLADOR				MHT 780	Quantità Quantity Quantité			APDI 160
		DESCRIZIONE	DESIGNATION	DESCRIPTION	BEZEICHNUNG		DESCRIPCION			
1	775828	turbo	turbo	turcocharger	turbolader	turbo				
2	601642	guarnizione	joint	seal	dichtung	guarnicion				
3	702021	prigioniero	goujon	stud bolt	stiftschraube	ornillo esparrago				
4	473908	dado	ecrou	nut	mutter	tuerca				

		TUBO DI SCARICO TUYAU ECHAPPEMENT LEAK-OFF PIPES AUSLASS SCHLAUCH TUBO DE DESCARGA				Quantità Quantity Quantité				APDIA 164	
648585		Part. Number		DESCRIPTION		BEZEICHNUNG		DESCRIPCION		MHT 780	
1/1	1	741039	solenoide	solenoid	solenoid	solenoid	solenoid	solenoid	solenoid	1	
	2	473956	vite	screw	screw	schraube	schraube	tornillo	tornillo	2	
	3	775832	supporto	support	support	lager	lager	soporte	soporte	1	
	4	775833	vite	vis	screw	schraube	schraube	tornillo	tornillo	2	
	5	747422	fermaglio	agrafe	clip	klemmstück	klemmstück	sujetador	sujetador	5	
	6	775996	tubo	tuyau	hose	schlauch	schlauch	tubo	tubo	1	
	7										
	8	138142	dado	ecrou	nut	mutter	mutter	tuerca	tuerca	1	
	9	138139	ogiva	ogive	dowel	dichtkegel	dichtkegel	ojiva	ojiva	1	
	10	108658	dado	ecrou	nut	mutter	mutter	tuerca	tuerca	1	
	11	138139	ogiva	ogive	dowel	dichtkegel	dichtkegel	ojiva	ojiva	1	
	12	741042	raccordo	raccord	pipe fitting	rohrverbindung	rohrverbindung	conexion	conexion	1	
	13	741044	rondella	rondelle	washer	unterlegscheibe	unterlegscheibe	arandela	arandela	1	
	14	775830	supporto	support	support	lager	lager	soporte	soporte	1	
	15	747390	fermaglio	agrafe	clip	klemmstück	klemmstück	sujetador	sujetador	1	
	16	473943	vite	vis	screw	schraube	schraube	tornillo	tornillo	1	
	17	775831	distanziale	entretoise	spacer	abstandstück	abstandstück	separador	separador	1	
	18	775834	tubo	tuyau	hose	schlauch	schlauch	tubo	tubo	1	
	19										
	20	108658	dado	ecrou	nut	mutter	mutter	tuerca	tuerca	1	
	21	138139	ogiva	ogive	dowel	dichtkegel	dichtkegel	ojiva	ojiva	1	
	22	747390	fermaglio	agrafe	clip	klemmstück	klemmstück	sujetador	sujetador	1	
	23	747425	tubo	tuyau	hose	schlauch	schlauch	tubo	tubo	1	
	24										
	25	741024	fermaglio	agrafe	clip	klemmstück	klemmstück	sujetador	sujetador	2	

ASSALE ANTERIORE
ESSIEU AVANT - FRONT AXLE
VORNACHSE - EJE DELANTERO

TIPO - TYPE
TYPE - TYPEN 357-223-321
TIPO

NUMERO - REFERENCE
NUMBER - NUMBER 730512
NUMERO

Rep Item	Part. Number	RIDUTTORE DELLE VELOCITA' (Ingranaggi) BOITE DE VITESSE ET DE TRANSFER (Pignons) TRANSFER AND GEAR BOX (Gears) RADER UND GETRIEBEKASTEN (Zahnrad) CAJA DE VELOCIDADES Pinon)				Quantity Quantité Menge Quantità			AXDI 008
		DESCRIZIONE	DESIGNATION	DESCRIPTION	BEZEICHNUNG	DESCRIPCION	MHT 780		
1	564249	albero	arbre	shaft	welle	arbol	1		
2	564242	ingranaggio	pignon	gear	zahnrad	pinon	1		
3	564077	ingranaggio	pignon	gear	zahnrad	pinon	1		

Rep Item	Part. Number	POMPA IDROSTATICA A CILINDRATA VARIABILE POMPE A CYLINDREE VARIABLE VARIABLE DISPLACEMENT PUMP VERSTELLPUMPE BOMBA HIDROSTATICA				BCDI 001			
		DESCRIZIONE	DESIGNATION	DESCRIPTION	BEZEICHNUNG	DESCRIPCION	Quantity Quantité	Menge Quantität	BCDI 001
1/2	648585						MHT 780		
1	731761	pompa idrostatica	pompe	pump	verstellpumpe	bomba hidrostática	1		
2	743039	kit guarnizioni	kit joints	seal kit	dichtungssatz	junta de repuesto	1		
3	745734	rotore	rotor	rotor	rotor	rotor	1		
4	565436	controllo	controlle	control	kontrolle	control	1		
5	600677	pompa ingranaggi	connecteur	gear pump	verbindung	conector	1		
6	776553	valvola	soupape	valve	ventil	valvula	1		
7	458502	controllo	controlle	control	kontrolle	control	1		
8	199313	vite	vis	screw	schraube	tornillo	1		
9	459279	sede valvola	siege soupape	valve seat	ventilsitz	asiento de valvula	1		
10	739068	controllo	controlle	control	kontrolle	control	1		
11	743005	rotore	rotor	rotor	rotor	rotor	1		
12	743006	coperchio	couvercle	cover	deckel	tapa	1		
13	743007	corpo	corps	body	koerper	cuervo	1		
14	743008	anello scorrevole	anneau coulissant	sliding ring	gleitring	anillo rozante	1		
15	561207	albero motore	arbre moteur	crankshaft	kurbelwelle	arbol motor	1		
16	743009	comando	commande	control	steuerung	mando	2		
17	743010	guarnizione	joint (pair)	seal	dichtung	guarnicion	1		
18	401822	cuscinetto	coussinet	bearing	lagerschale	cojinete	1		
19	743011	sede	siege	seat	gehaeuse	asiento	1		
20	705308	guarnizione	joint	seal	dichtung	guarnicion	1		
21	745738	kit guarnizioni	kit joints	seal kit	dichtungssatz	junta de repuesto	1		
22	743012	cilindro	cylindre	cylinder	zylinder	cilindro	1		
23	743013	pistone	piston	piston	kolben	piston	9		
24	561205	molla	ressort	spring	feder	resorte	1		
25	743014	piastra	plaque	plate	platte	plancha	1		

Rep Item	1/1	648585	ALBERO CARDANICO ARBRE A CARDAN CARDAN SHAFT KARDANWELLE CARDAN DE TRANSMISION				Quantity Menge Quantità			BNDI 001
			Part. Number	DESCRIZIONE	DESIGNATION	DESCRIPTION	BEZEICHNUNG	DESCRIPCION	MHT 780	
1		731249	albero cardanico	arbre à cardan	cardan shaft	cardan de transmission				
2		675651	crociera	croisillon	spider	cruceta				
3		545147	ingrassatore	graisseur	grease nipple	engrasador				
4		577838	kit fissaggio	ki de fixation	fixing kit	kit fissaggio				



OPTIONS

PREFILTRE VORTEX (774175)

MHT 780

Evolution

E3 - Serie 2

**CATALOGO RICAMBI
CATALOGUE PIECES
PARTS CATALOGUE
ERSATZTEILKATALOG
CATALOGO PIEZAS**

Rep Item	Part. Number	KIT GRIGLIA ANTERIORE KIT GRILLE AVANT FRONT GRATE KIT VORN GITTER KIT REJILLA ANT.				8ABDI 030			
		DESCRIZIONE	DESIGNATION	DESCRIPTION	BEZEICHNUNG	DESCRIPCION	Quantity Quantité	Menge Quantität	8ABDI 030
1/1									
1	747555	griglia	grille	grate	gitter	rejilla	1		
2	266063	bloccaggio	blocage	lock	sperre	blocaje	4		
3	189172	vite	vis	screw	schraube	tornillo	4		
4	174132	rondella	rondelle	washer	unterlegscheibe	arandela	4		
5	226062	bloccaggio	blocage	lock	sperre	blocaje	4		
6	196676	vite	vis	screw	schraube	tornillo	2		
7	29469	rondella	rondelle	washer	unterlegscheibe	arandela	6		
8	162229	dado	ecrou	nut	mutter	tuerca	6		
9	55404	cappuccio	capuchon	cover	kappe	capucha	6		
10	54305	vite	vis	screw	schraube	tornillo	2		
11	747556	lamiera	feuille	plate	blech	chapa	2		

1/1	648585	CLIMATIZZATORE AIR CONDITIONEE A/C CIRCUIT KLIMATISIERUNGSPPARAT ACONDICIONADOR				MHT 780			8ADDI 030
		Rep Item	Part. Number	DESCRIZIONE	DESIGNATION	DESCRIPTION	BEZEICHNUNG	DESCRIPCION	Quantity Quantité
1	706172	vite	vis	screw	schraube	tornillo	8		
2	706173	rondella	rondelle	washer	unterlegscheibe	arandela	8		
3	780988	elettroventola	electrohelice	electrofan	propellerschalter	electrorueda de aletas	2		
4	719218	vite	vis	screw	schraube	tornillo	4		
5	719282	rondella	rondelle	washer	unterlegscheibe	arandela	4		
6	780985	supporto	support	support	lager	soporte	1		
7	773963	gabbietta	cage	retainer	kaefig	caja-jaula	4		
8	780987	condensatore	condensateur	condenser	condensator	condensador	1		
9	706215	griglia	grille	grate	gitter	rejilla	1		
10	738665	guarnizione	joint	seal	dichtung	guarnicion	2		
11	780986	supporto	support	support	lager	soporte	1		
12	780984	pressostato	pressostat	pressure switch	druckwächter	presóstato	1		
13	780983	filtro	filtre	filter	filter	filtro	1		
14	564200	guarnizione	joint	seal	dichtung	guarnicion	2		
15	780982	fascetta	collier	clamp	schelle	abrazadera	2		
16	165001	guarnizione	joint	seal	dichtung	guarnicion	1		
17									
18	227185	guarnizione	joint	seal	dichtung	guarnicion	1		
19	780990	condensatore	condensateur	condenser	condensator	condensador	1		
20	739304	rondella	rondelle	washer	unterlegscheibe	arandela	4		
21	499773	vite	vis	screw	schraube	tornillo	4		

Rep Item	Part. Number	CLIMATIZZATORE AIR CONDITIONEE A/C CIRCUIT KLIMATISIERUNGSSAPPARAT ACONDICIONADOR				Quantity Menge Quantità			8ADDI 034
		DESCRIZIONE	DESIGNATION	DESCRIPTION	BEZEICHNUNG	DESCRIPCION	Quantity	Menge	
1	778239	cablaggio	cablage	wiring	verkabelung	cableado	1		
2	674934	connettore	connecteur	connector	verbindung	conector	1		
3	674933	terminale	borne	terminal	endverschluss	terminal	x		
4	738317	otturatore	bouchon	lock	verschluss	obturador	x		
							MHT 780		



OPTIONS

KIT RETOUR AU BAC (777160)

MHT 780

Evolution

E3 - Serie 2

**CATALOGO RICAMBI
CATALOGUE PIECES
PARTS CATALOGUE
ERSATZTEILKATALOG
CATALOGO PIEZAS**



OPTIONS

KIT DEGAGEMENT BATTERIE (777296)

MHT 780

Evolution

E3 - Serie 2

**CATALOGO RICAMBI
CATALOGUE PIECES
PARTS CATALOGUE
ERSATZTEILKATALOG
CATALOGO PIEZAS**

		FARI DI LAVORO ANTERIORI PHARES DE TRAVAIL AVANT FRONT WORKING HEADLIGHT VORN ARBEITEN SCHEINWERFER FARO DE TRABAJO DELANTERO				11BADI 001				
648585		DESCRIZIONE		DESIGNATION	DESCRIPTION	BEZEICHNUNG	DESCRIPCION	Quantity	Menge	Quantità
1/1	Rep Item	Part. Number						MHT 780		
1		164378	lampadina	lampe	bulb	birne	lamparilla	2		
2		265385	interruttore	interrupteur	switch	schalter	interruptor	1		
3		747203	vetrino	vitre	glass	glas	barniz vitreo	1		
4		170836	lampadina	lampe	bulb	birne	lamparilla	1		
5		265419	faro	feu	lamp	scheinwerfer	faro	1		
6		265420	faro	feu	lamp	scheinwerfer	faro	1		
7		265716	supporto	support	support	lager	soporte	1		
8		265717	supporto	support	support	lager	soporte	1		
9		719260	vite	vis	screw	schraube	tomillo	4		
10		739304	rondella	rondelle	washer	unterlegscheibe	arandela	4		



OPTIONS

PHARES DE TRAVAIL SUR FLECHE (777294)

MHT 780

Evolution

E3 - Serie 2

CATALOGO RICAMBI
CATALOGUE PIECES
PARTS CATALOGUE
ERSATZTEILKATALOG
CATALOGO PIEZAS

INDEX CATALOG n°648585

P.N.	Page	Item	Q.ty	P.N.	Page	Item	Q.ty	P.N.	Page	Item	Q.ty
561611	10CBDI001	4	1	564223	AXDIA007	10	2	568969	11BADI051	7	2
561628	APDI125	15	1	564225	AXDI002	11	8	568970	11AADI001	8	1
561947	AXDI007	32	1	564225	AXDIA002	11	8	568970	11AADI060	24	1
561947	AXDIA007	32	1	564226	AXDI007	39	2	568970	11AADI061	14	1
562239	AXDI502	2	1	564226	AXDIA007	39	2	568970	11AADI062	8	1
562265	AXDI005	2	2	564242	AXDI008	2	1	568970	11AADI063	14	1
562265	AXDI501	2	2	564243	AXDI007	47	1	568970	11BADI051	9	2
562317	BCDI010	17	1	564243	AXDIA007	47	1	568971	11AADI060	17	2
562318	BCDI010	18	1	564244	AXDI007	23	1	568971	11AADI061	5	1
562319	BCDI010	20	1	564244	AXDIA007	23	1	568971	11AADI062	6	3
562427	AXDI007	5	1	564245	AXDI007	38	1	568971	11AADI063	8	8
562427	AXDIA007	5	1	564245	AXDIA007	38	1	568971	11AADI072	5	1
562485	AXDI007	60	1	564246	AXDI007	43	1	568971	11BADI051	6	2
562485	AXDIA007	60	1	564246	AXDIA007	43	1	568971	11BADI080	16	2
562490	AXDI003	5	8	564247	AXDI007	41	1	568971	8ADDI033	17	3
562490	AXDI503	5	8	564247	AXDIA007	41	1	569257	4ABDI020	2	2
562567	APDI115	1	1	564249	AXDI008	1	1	569309	4ABDI020	1	1
562752	AXDI003	11	2	564250	AXDI007	31	1	569514	10ADDI011	14	1
562752	AXDI503	11	2	564250	AXDIA007	31	1	577093	12AADI002	2	1
562904	10CBDI001	10	1	564618	8ABDI004	2	3	577578	10AEDI003	2	2
563226	APDI105	14	8	564618	8ABDI008	2	1	577661	4AADI052	13	1
563226	APDIA105	14	8	564744	11AADI003	16	2	577709	10AADI005	20	4
563497	AXDI007	7	1	564747	10DADI002	133	1	577722	10ADDI010	10	1
563497	AXDIA007	7	1	564748	10DADI002	9	1	577838	BNDI001	4	4
563501	AXDI007	45	1	564756	10DADI002	10	1	577890	10AADI005	28	2
563501	AXDIA007	45	1	565436	BCDI001	4	1	578216	6BADI015	17	1
563502	AXDI007	37	2	566045	11AADI001	49	2	578218	10AEDI006	2	1
563502	AXDIA007	37	2	566501	10ADDI011	27	6	578500	4AADI052	5	4
563532	APDI100	16	2	566501	10AFDI001	17	8	578894	5BADI010	23	2
563744	APDI152	8	1	566501	11BADI080	27	6	579368	8ADDI001	34	1
563883	11AADI003	18	4	566501	4ABDI005	13	3	579646	6AADI006	11	1
563884	11AADI003	17	8	566844	9AADI002	28	8	579729	10CADI001	4	2
563903	AXDI003	12	2	566945	10AADI001	30	1	579901	8ADDI001	4	6
563903	AXDI503	12	2	566974	10AADI001	24	1	584025	10BADI001	15	1
564011	8AADI001	2	1	567022	10AADI001	9	1	584026	10BADI001	16	1
564012	8AADI001	3	1	567481	10AADI001	13	2	584413	6BADI015	57	1
564013	8AADI001	4	1	567624	11AADI060	27	2	585035	6BADI016	9	1
564014	8AADI001	5	1	567624	4AADI051	5	2	585841	6BADI015	42	1
564018	8AADI001	9	1	567624	4ABDI005	14	21	585990	11AADI074	15	1
564019	8AADI001	10	1	567624	8ADDI001	28	1	586041	6BADI015	67	1
564020	8AADI001	11	1	567789	9AADI001	13	1	586106	2AADI001	13	1
564021	8AADI001	12	1	567846	10AADI001	37	1	586106	2AADI001	13	1
564022	8AADI001	13	1	568272	11AADI001	38	2	586106	4ACDI001	1	1
564023	8AADI001	14	1	568272	8ACDI005	3	2	586386	10AADI010	28	2
564024	8AADI001	15	1	568318	10CCDI001	14	1	586618	8ADDI001	18	1
564025	8AADI001	16	2	568330	11AADI073	21	2	586871	12AADI004	3	1
564026	8AADI001	17	1	568378	10AEDI003	11	1	586873	12AADI004	2	1
564027	8AADI001	18	1	568423	10AADI001	16	4	586895	10AEDI010	18	2
564028	8AADI001	19	1	568424	10AADI001	17	4	587045	8ABDI005	30	1
564073	AXDI007	1	1	568425	10AADI001	14	4	587107	10CBDI001	1	4
564073	AXDIA007	1	1	568426	10AADI001	15	2	587108	10CBDI001	8	1
564075	AXDI007	72	1	568591	5BADI010	43	1	587109	10CBDI001	9	1
564075	AXDIA007	72	1	568686	6BADI016	17	1	587110	10CBDI001	18	1
564076	AXDI007	3	1	568968	11AADI060	16	2	587424	11AADI003	20	2
564076	AXDIA007	3	1	568968	11AADI061	4	1	587694	11AADI006	29	1
564077	AXDI008	3	1	568968	11AADI062	5	3	587863	4ACDI001	11	1
564200	8ADDI030	14	2	568968	11AADI063	7	8	587954	10AADI005	16	2
564214	AXDI007	44	1	568968	11AADI072	4	1	587954	10AADI005	38	1
564214	AXDIA007	44	1	568968	11BADI051	4	2	587981	10BADI001	19	1
564215	AXDI007	40	1	568968	11BADI080	15	2	600448	10DADI002	180	1
564215	AXDIA007	40	1	568968	8ADDI033	16	3	600548	AXDI003	40	6
564216	AXDI007	42	1	568969	11AADI001	7	1	600548	AXDI503	40	6
564216	AXDIA007	42	1	568969	11AADI060	23	1	600568	AXDI003	41	6
564219	AXDI002	10	8	568969	11AADI061	13	1	600568	AXDI503	41	6
564219	AXDIA002	10	8	568969	11AADI062	7	1	600569	AXDI003	42	6
564223	AXDI007	10	2	568969	11AADI063	13	1	600569	AXDI503	42	6

CLICK HERE TO **DOWNLOAD** THE COMPLETE MANUAL

- Thank you very much for reading the preview of the manual.
- You can download the complete manual from: www.heydownloads.com by clicking the link below



- Please note: If there is no response to CLICKING the link, please download this PDF first and then click on it.

CLICK HERE TO **DOWNLOAD** THE COMPLETE MANUAL