



**GENUINE PARTS CATALOGUE  
CATALOGUE PIECES D'ORIGINE  
ORIGINAL ERSATZTEILKATALOG  
CATALOGO DE PIEZAS LEGITIMAS  
CATALOGO RICAMBI ORIGINALI**

This document has been printed from  myedoc

**MANITOU BF**

Head office: 430, Rue de l'Aubinière  
44150 Ancenis - FRANCE  
Share capital: 39,548,949 euros  
857 802 508 RCS Nantes  
Tel: +33 (0)2 40 09 10 11  
[www.manitou.com](http://www.manitou.com)

CLICK HERE TO **DOWNLOAD** THE COMPLETE MANUAL

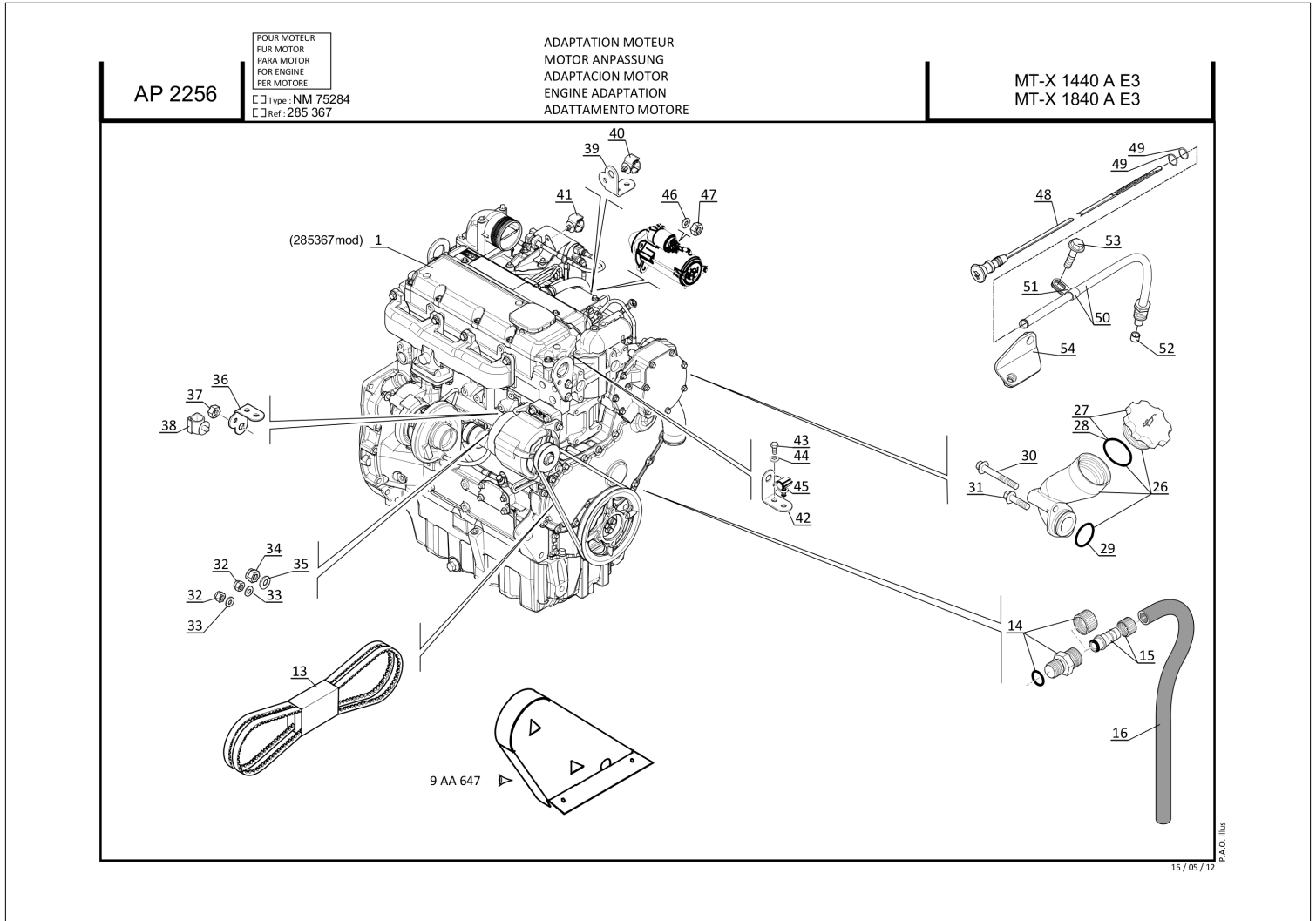
- Thank you very much for reading the preview of the manual.
- You can download the complete manual from: [www.heydownloads.com](http://www.heydownloads.com) by clicking the link below



- Please note: If there is no response to CLICKING the link, please download this PDF first and then click on it.

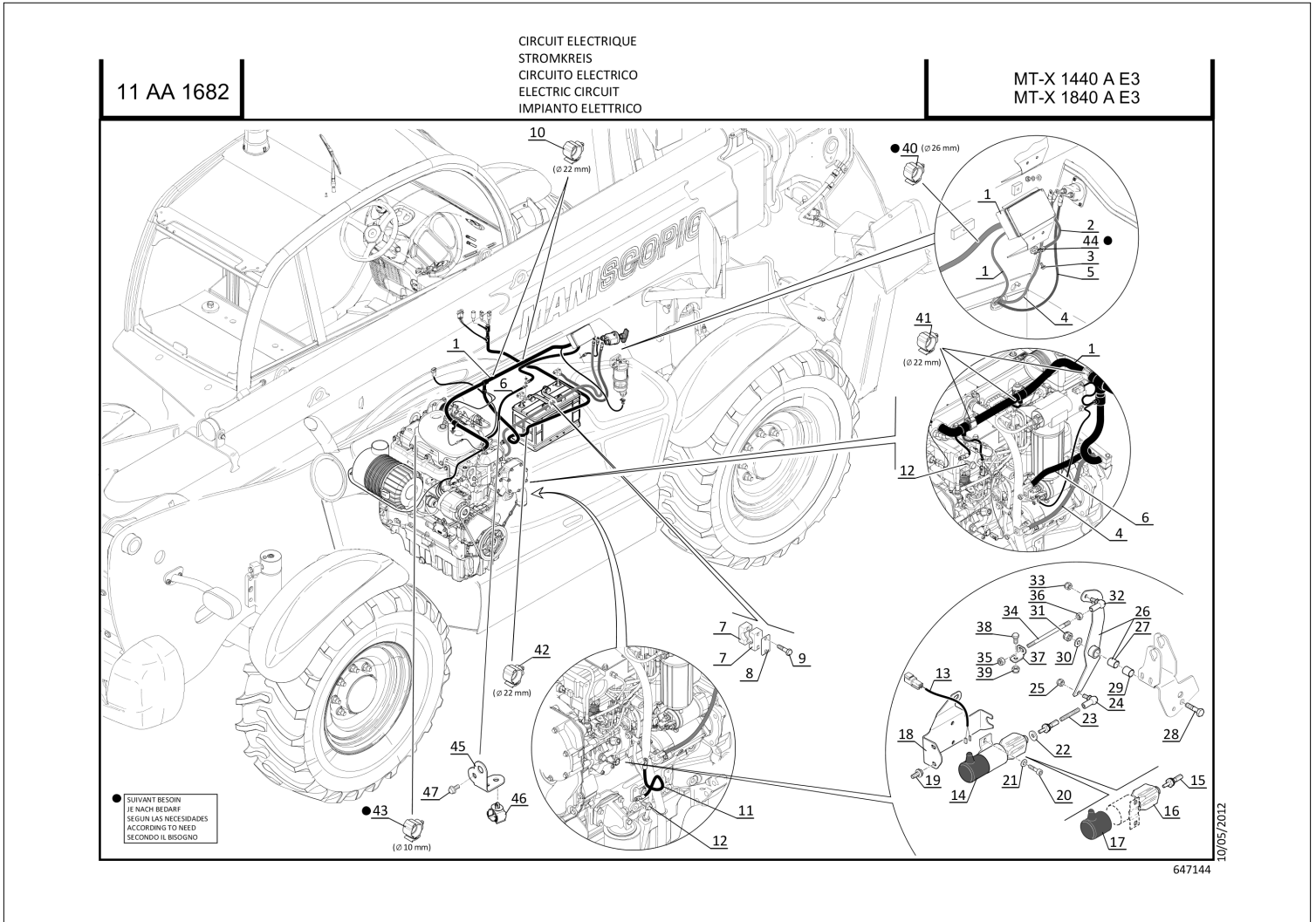
CLICK HERE TO **DOWNLOAD** THE COMPLETE MANUAL

Позиция	№ детали	Название	Characteristics	К-во	Superse ded PartNum ber	Product Type
1	240808	Sticker (machine)	MANITOU L500	1		MT-X 1440 A E3, MT-X 1840 A E3
2	302333	Sticker (white)	MANITOU L1302	2		MT-X 1440 A E3, MT-X 1840 A E3
3	307749	Sticker (white)	MANITOU arrière	1		MT-X 1440 A E3, MT-X 1840 A E3
4	307744	Adhesive		1		MT-X 1840 A E3
5	307748	Adhesive		1		MT-X 1840 A E3
6	307742	Adhesive		1		MT-X 1440 A E3
7	307746	Adhesive		1		MT-X 1440 A E3
8	234798	Sticker (hydraulic oil)		1		MT-X 1440 A E3, MT-X 1840 A E3
9	289101	Sticker (towing yoke)	Point d'ancrage	5		MT-X 1440 A E3, MT-X 1840 A E3
11	286970	Sticker (Made in France)	"Made in France"	1		MT-X 1440 A E3, MT-X 1840 A E3
12	234805	Sticker (hydraulic coupling)		1		MT-X 1440 A E3, MT-X 1840 A E3
13	24653	Sticker (slinging point hook)		3		MT-X 1440 A E3, MT-X 1840 A E3
14	217826	Adhesive		2		MT-X 1440 A E3, MT-X 1840 A E3
15	239596	Acoustic power plate	106 db	1		MT-X 1440 A E3, MT-X 1840 A E3
16	273735	Adhesive		1		MT-X 1440 A E3, MT-X 1840 A E3
17	271507	Sticker (white)	MANITOU L499	1		MT-X 1440 A E3, MT-X 1840 A E3
18	268491	Brake fluid indicator pin		1		MT-X 1440 A E3, MT-X 1840 A E3
19	259398	Sticker (water/fuel separator)		1		MT-X 1440 A E3, MT-X 1840 A E3
21	282011	Sticker (battery troubleshooting)		1		MT-X 1440 A E3, MT-X 1840 A E3
22	288430	Sticker (repair instructions)	"Inst. réparation"	2		MT-X 1440 A E3, MT-X 1840 A E3
23	270466	Adhesive		2		MT-X 1440 A E3, MT-X 1840 A E3
24	275329	Adhesive		4		MT-X 1440 A E3, MT-X 1840 A E3
25	52501046	Sticker (anti-freeze)		1		MT-X 1440 A E3, MT-X 1840 A E3
26	296998	Adhesive		2		MT-X 1440 A E3, MT-X 1840 A E3
27	298080	Sticker (engine fuse)		1		MT-X 1440 A E3, MT-X 1840 A E3
28	288174	Sticker (accumulator instructions)		1		MT-X 1440 A E3, MT-X 1840 A E3
29	52545480	Sticker (fuse - relay)	P210 E3	1		MT-X 1440 A E3, MT-X 1840 A E3



Позиция	№ детали	Название	Characteristics	К-во	Superse ded PartNum ber	Product Type
37	295189	Wedge		1		MT-X 1440 A E3, MT-X 1840 A E3
38	300167	Support		2		MT-X 1440 A E3, MT-X 1840 A E3
39	168522	Profile seal	L150	2		MT-X 1440 A E3, MT-X 1840 A E3
40	254215	Dowel bush	M8	4		MT-X 1440 A E3, MT-X 1840 A E3
41	300165	Support		2		MT-X 1440 A E3, MT-X 1840 A E3
42	220664	Screw		1		MT-X 1440 A E3, MT-X 1840 A E3
43	278713	Screw	H emb M6-10- 8.8-ZN8/C	6		MT-X 1440 A E3, MT-X 1840 A E3
44	52500450	Frame		1		MT-X 1440 A E3, MT-X 1840 A E3
45	52516995	Frame		1		MT-X 1440 A E3, MT-X 1840 A E3
46	52540288	Frame		1		MT-X 1440 A E3, MT-X 1840 A E3
47	52504509	Stabiliser		1		MT-X 1440 A E3, MT-X 1840 A E3
48	52516632	Wedge		1		MT-X 1440 A E3, MT-X 1840 A E3
49	295216	Pin		2		MT-X 1440 A E3, MT-X 1840 A E3
50	677524	Clip pin		2		MT-X 1440 A E3, MT-X 1840 A E3
51	52516098	Wedge		1		MT-X 1440 A E3, MT-X 1840 A E3

Позиция	№ детали	Название	Characteristics	К-во	Superse ded PartNum ber	Product Type
1	301294	Front closing plate		1		MT-X 1440 A E3, MT-X 1840 A E3
2	259601	Screw	H emb M8-208.8DIN6921	4		MT-X 1440 A E3, MT-X 1840 A E3
3	260503	Closing plate		1		MT-X 1440 A E3, MT-X 1840 A E3
4	259601	Screw	H emb M8-208.8DIN6921	4		MT-X 1440 A E3, MT-X 1840 A E3
5	260504	Closing plate		1		MT-X 1440 A E3, MT-X 1840 A E3
6	259601	Screw	H emb M8-208.8DIN6921	4		MT-X 1440 A E3, MT-X 1840 A E3
7	311298	Rear closing plate		1		MT-X 1440 A E3, MT-X 1840 A E3
8	259601	Screw	H emb M8-208.8DIN6921	3		MT-X 1440 A E3, MT-X 1840 A E3
9	18805	Screw	CHc,M8-25 zn	2		MT-X 1440 A E3, MT-X 1840 A E3
10	54242	Nut	H,FRm 8 C 8 ZN..C	2		MT-X 1440 A E3, MT-X 1840 A E3
11	61674	Washer	M8 ZN12C/FE, M 8 ZN	2		MT-X 1440 A E3, MT-X 1840 A E3
12	301290	Front bracket		1		MT-X 1440 A E3, MT-X 1840 A E3
13	260495	Screw	H emb M12-358.8-ZN8/C	2		MT-X 1440 A E3, MT-X 1840 A E3
14	259986	Nut	H,EMBm12 C 8 ZN8/C	2		MT-X 1440 A E3, MT-X 1840 A E3
15	276218	Support		1		MT-X 1440 A E3, MT-X 1840 A E3
16	268255	Screw	H emb M8-168.8-ZN8/CFR	3		MT-X 1440 A E3, MT-X 1840 A E3
18	61674	Washer	M8 ZN12C/FE, M 8 ZN	2		MT-X 1440 A E3, MT-X 1840 A E3
19	276220	Support		1		MT-X 1440 A E3, MT-X 1840 A E3
20	275028	Screw	H emb M8-208.8-ZN8/CFR	1		MT-X 1440 A E3, MT-X 1840 A E3
21	268255	Screw	H emb M8-168.8-ZN8/CFR	2		MT-X 1440 A E3, MT-X 1840 A E3
22	311297	Rear bracket		1		MT-X 1440 A E3, MT-X 1840 A E3
23	275028	Screw	H emb M8-208.8-ZN8/CFR	2		MT-X 1440 A E3, MT-X 1840 A E3
25	259601	Screw	H emb M8-208.8DIN6921	6		MT-X 1440 A E3, MT-X 1840 A E3
27	259601	Screw	H emb M8-208.8DIN6921	2		MT-X 1440 A E3, MT-X 1840 A E3
28	303904	Rear-view mirror holder		1		MT-X 1440 A E3, MT-X 1840 A E3
29	259602	screw	H emb M10-208.8DIN6921	3		MT-X 1440 A E3, MT-X 1840 A E3
30	299491	Right-hand rear-view mirror		1		MT-X 1440 A E3, MT-X 1840 A E3
31	305304	Support		1		MT-X 1440 A E3, MT-X 1840 A E3
32	259602	screw	H emb M10-208.8DIN6921	3		MT-X 1440 A E3, MT-X 1840 A E3



Позиция	№ детали	Название	Characteristics	К-во	Superseded Part Number	Product Type
2	240822	Screw	H emb M6-208.8DIN6921	2		MT-X 1840 A E3
3	288253	potentiometer		1		MT-X 1840 A E3
4	188736	Screw	CHc,M4-35-8.8-ZN5/C	2		MT-X 1840 A E3
5	52512371	Connecting rod		1		MT-X 1840 A E3
6	484702	screw	CHc,M4-25-10.9-ZN5	1		MT-X 1840 A E3
7	485980	Nut	H,FRm 4 C 8 ZN	1		MT-X 1840 A E3
8	261444	Connecting rod		1		MT-X 1840 A E3
9	210776	Ring		2		MT-X 1840 A E3
10	459749	Washer	L6 ZN	2		MT-X 1840 A E3
11	63035	Pin	V 3,2x16 ZN	1		MT-X 1840 A E3
12	29481	Screw	H M6-45-8.8-ZN5/C	1		MT-X 1840 A E3
13	42316	Washer	W 6 ZN, W6 ZN	1		MT-X 1840 A E3
14	459749	Washer	L6 ZN	2		MT-X 1840 A E3
15	261445	Hinge pin	D12 L33	1		MT-X 1840 A E3
16	288650	Switch		1		MT-X 1840 A E3
17	268037	Screw	CHc,M4-16-8.8-ZN5/C	2		MT-X 1840 A E3
18	288755	Support		1		MT-X 1840 A E3
19	278713	Screw	H emb M6-10-8.8-ZN8/C	2		MT-X 1840 A E3
20	292563	Wiring harness		1		MT-X 1840 A E3
28	293621	Wiring harness		1		MT-X 1840 A E3
29	292564	Wiring harness		1		MT-X 1840 A E3
30	260472	Clamp	D7,5	1		MT-X 1840 A E3
31	79533	Black screw	CBHc,M5-10-10.9-ZN5	4		MT-X 1840 A E3
32	288812	Bracket		1		MT-X 1840 A E3
33	259946	Screw	H emb M8-168.8DIN6921	4		MT-X 1840 A E3
34	242642	Connector base-plate		1		MT-X 1840 A E3
35	242643	Female connector		1		MT-X 1840 A E3
36	601249	Plug		7		MT-X 1840 A E3
37	549456	Plug		1		MT-X 1840 A E3
38	702670	Reducing		1		MT-X 1840 A E3
39	507596	Packing box		1	593528, 565533	MT-X 1840 A E3
40	746710	Resistance		1		MT-X 1840 A E3
41	274184	Clamp		16		MT-X 1840 A E3

Позиция	№ детали	Название	Characteristics	К-во	Superse ded PartNum ber	Product Type
33	259602	screw	H emb M10- 208.8DIN6921	1		MT-X 1440 A E3, MT-X 1840 A E3
34	52506164	Heating		1		MT-X 1440 A E3, MT-X 1840 A E3
35	287242	Support		1		MT-X 1440 A E3, MT-X 1840 A E3
36	259946	Screw	H emb M8- 168.8DIN6921	2		MT-X 1440 A E3, MT-X 1840 A E3
37	61545	Screw	H M8-55 zn	1		MT-X 1440 A E3, MT-X 1840 A E3

\_REAR

AX 2107

POUR ESSIEU ARRIERE  
 FÜR INTERACHSE  
 PARA EJE TRASERO  
 REAR FRONT AXLE  
 PER ASSALE POSTERIORE

Type : 212 / 991  
 Ref : 299 939

DIFFERENTIEL ESSIEU ARRIERE  
 HINTERACHSEDIFFERENTIAL  
 DIFERENCIAL EJE TRASERO  
 REAR AXLE DIFFERENTIAL  
 DIFFERENZIALE ASSALE POSTERIORE

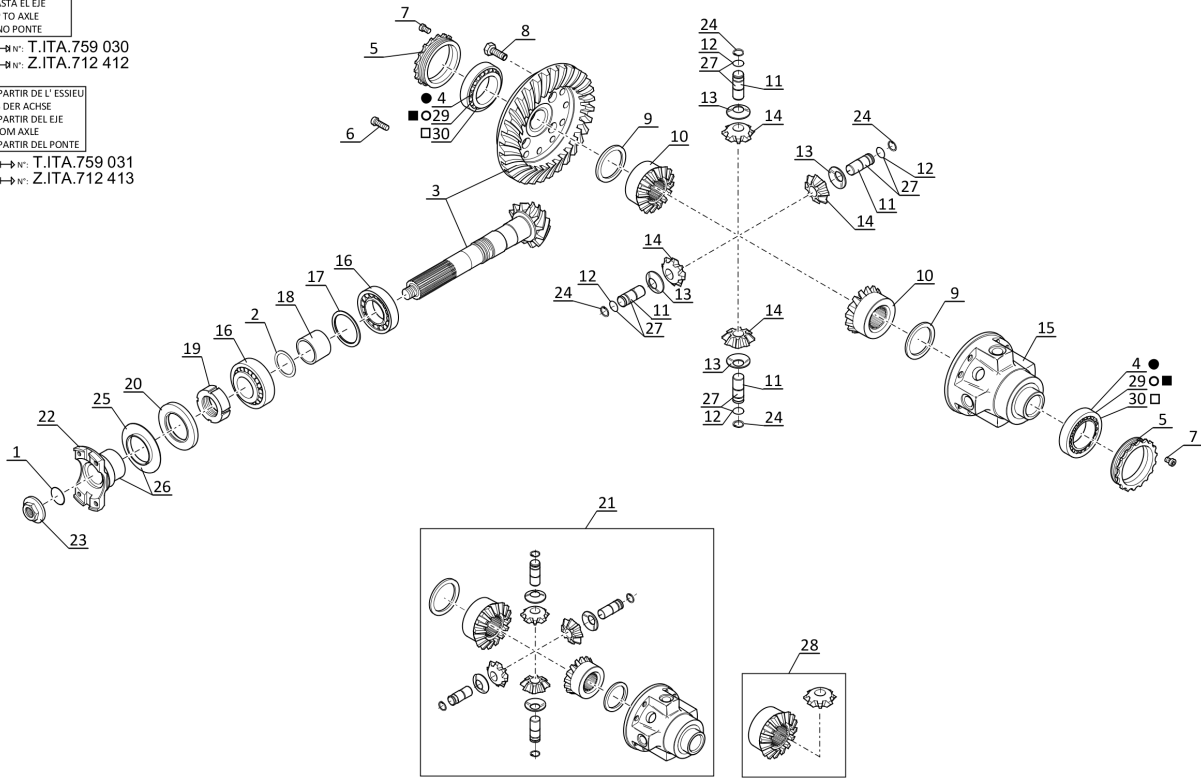
299939mod

JUSQU'A L' ESSIEU  
 BIS DER ACHSE  
 HASTA EL EJE  
 UP TO AXLE  
 FINO PONTE

● → N°: T.ITA.759 030  
 ■ → N°: Z.ITA.712 412

○ A PARTIR DE L' ESSIEU  
 AB DER ACHSE  
 A PARTIR DEL EJE  
 FROM AXLE  
 A PARTIR DEL PONTE

○ → N°: T.ITA.759 031  
 □ → N°: Z.ITA.712 413



03/07/2017  
 299939mod

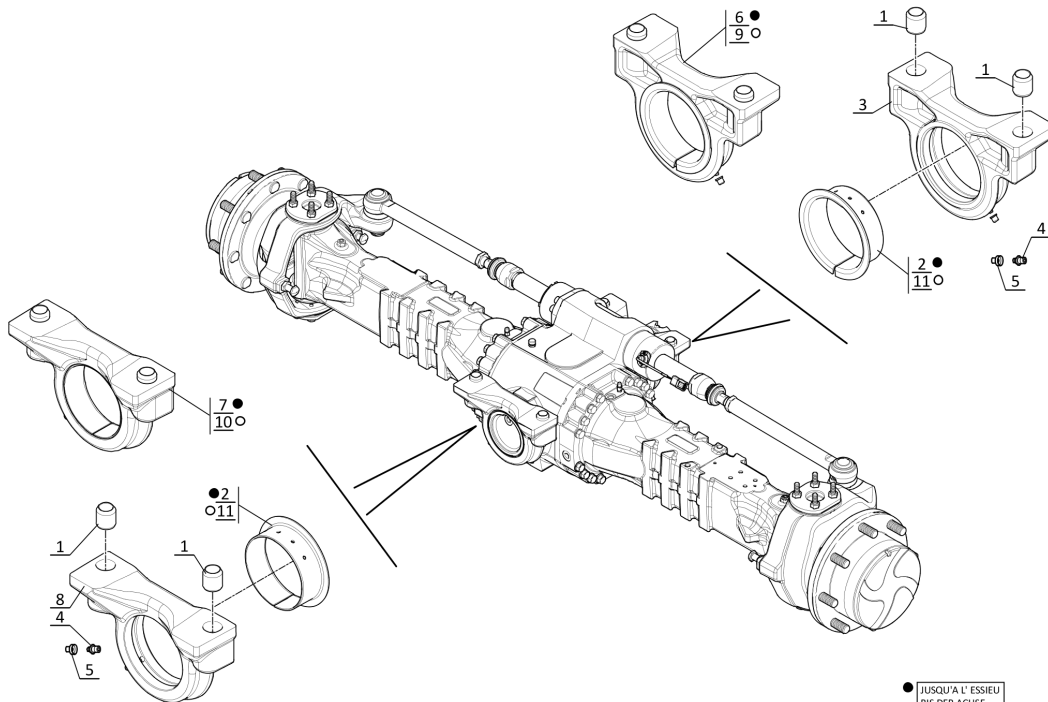
\_REAR

AX 2111

POUR ESSIEU ARRIERE  
 FÜR INTERACHSE  
 PARA EJE TRASERO  
 REAR FRONT AXLE  
 PER ASSALE POSTERIORE  
 Type : 212 / 991  
 Ref : 299 939

SUPPORT ESSIEU ARRIERE  
 HINTERACHSE TRÄGER  
 SOPORTE EJE TRASERO  
 REAR AXLE BRACKET  
 SUPPORTO ASSALE POSTERIORE

299939mod



● JUSQU'À L' ESSIEU  
 BIS DER ACHSE  
 HASTA EL EJE  
 UP TO AXLE  
 FINO PONTE

○ À PARTIR DE L' ESSIEU  
 AB DER ACHSE  
 A PARTIR DEL EJE  
 FROM AXLE  
 A PARTIR DEL PONTE

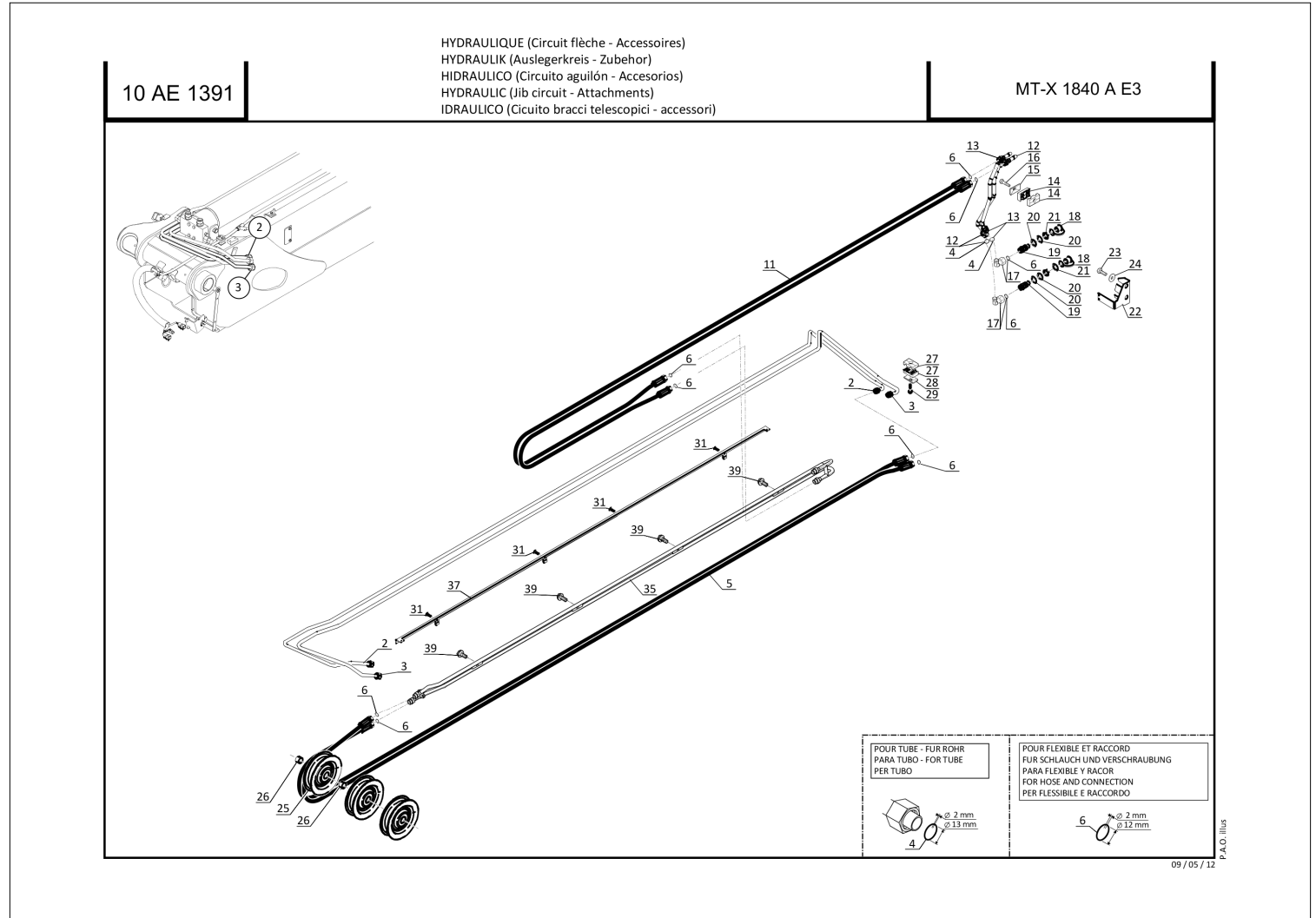
→ N°: S.ITA.709 444

→ N°: S.ITA.709 445

299939mod

03/07/2017

Позиция	№ детали	Название	Characteristics	К-во	Superse ded PartNum ber	Product Type
0	299938	Front axle		1		
1	133090	Nut		2		
2	562750	Needle valve		2		
3	601269	Lateral casing		1		
4	702138	Screw	M16x100x40	32		
5	563903	Flange		2		
6	105424	Circlip		2		
7	133044	Circlip		2		
8	105101	Bearing		2		
9	108100	Watertight seal		2		
10	562752	O ring		2		
11	749017	Cardan		2		
12	477847	Ring		2		
13	744806	Ring		2		
14	562475	Screw		12		
15	600603	Cover		2		
16	107796	Plug		4		
17	133103	Greaser		2		
18	564678	Steering wheel swivel		2		
19	564898	Steering wheel swivel		2		
20	562499	Watertight seal		4		
21	562500	Ring		2		
22	603819	Steering box		1		
23	603653	Watertight seal		2		
24	602219	Adjusting screw		4		
25	702418	Magnetic plug		2		
26	603638	Plug	BTR DE 12	4		
27	603696	Steering box		1		
28	604656	Watertight seal		2		
29	562504	Bearing		4		
30	704616	Wheel stud		16		
31	601246	Wheel hub		2		
32	106533	O ring		2		
33	564133	Toothed gear ring	70	2		
34	565998	Support		2		
35	562508	Circlip		8		
36	562509	Planet gear (teeth)	27	8		



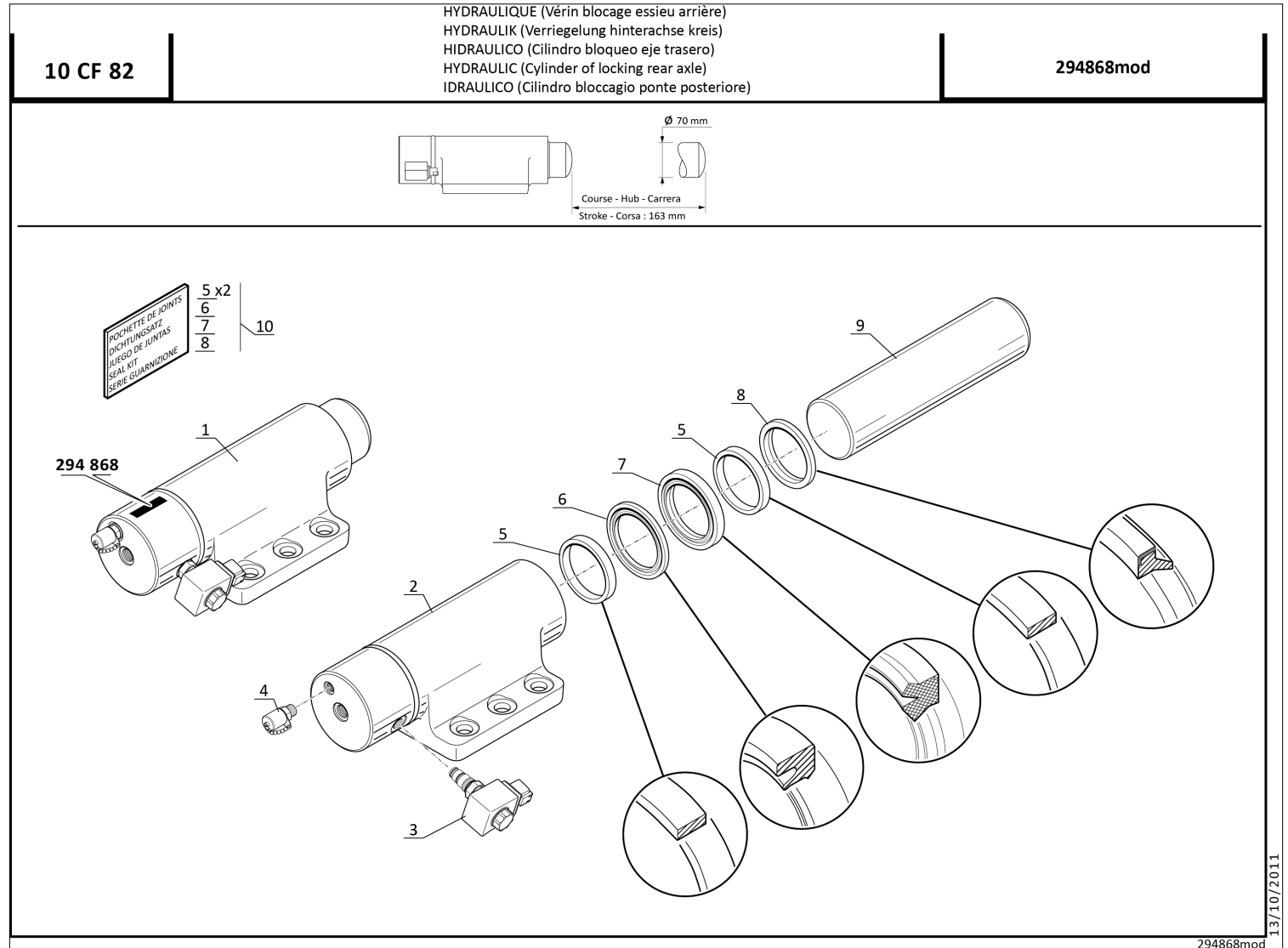
Позиция	№ детали	Название	Characteristics	К-во	Superse ded PartNum ber	Product Type
1	167925	Union		2		MT-X 1440 A E3, MT-X 1840 A E3
2	169373	O ring		0		MT-X 1440 A E3
2	169373	O ring		1		MT-X 1840 A E3
3	200671	Hose		2		MT-X 1440 A E3, MT-X 1840 A E3
4	189956	O ring		0		MT-X 1440 A E3
4	189956	O ring		1		MT-X 1840 A E3
5	193325	Elbow connector adaptor	90°	2		MT-X 1440 A E3, MT-X 1840 A E3
6	74362	Union		1		MT-X 1440 A E3, MT-X 1840 A E3
7	169552	O ring		1		MT-X 1840 A E3
7	169552	O ring		0		MT-X 1440 A E3
8	174618	Extension union		1		MT-X 1440 A E3, MT-X 1840 A E3
9	266306	Complete valve bank		1		MT-X 1440 A E3, MT-X 1840 A E3
10	259946	Screw	H emb M8-168.8DIN6921	4		MT-X 1440 A E3, MT-X 1840 A E3
11	267160	Connection		1		MT-X 1440 A E3, MT-X 1840 A E3
12	169434	"O" ring		0	213859	MT-X 1440 A E3
12	169434	"O" ring		1	213859	MT-X 1840 A E3
13	248325	Hose		1	210999	MT-X 1440 A E3, MT-X 1840 A E3
14	190013	O ring		1		MT-X 1840 A E3
14	190013	O ring		0		MT-X 1440 A E3
15	497922	pipe fitting		1		MT-X 1440 A E3, MT-X 1840 A E3
16	202512	Connection		1		MT-X 1440 A E3, MT-X 1840 A E3
17	170387	Half clamp		2		MT-X 1440 A E3, MT-X 1840 A E3
18	168854	Protection plate		1		MT-X 1440 A E3, MT-X 1840 A E3
19	58531	Screw	H M8-50-8.8-ZN8/C	1		MT-X 1440 A E3, MT-X 1840 A E3
20	268225	Half-clamp		2		MT-X 1440 A E3, MT-X 1840 A E3
21	168854	Protection plate		1		MT-X 1440 A E3, MT-X 1840 A E3
22	282222	Screw	AHc,M8-100-33H-ZINTEKAG	1		MT-X 1440 A E3, MT-X 1840 A E3
23	254177	Nut	H,EMBm 8 C 8 ZN8/C	1		MT-X 1440 A E3, MT-X 1840 A E3
24	261315	Support		1		MT-X 1440 A E3, MT-X 1840 A E3
25	259946	Screw	H emb M8-168.8DIN6921	1		MT-X 1440 A E3, MT-X 1840 A E3
26	170387	Half clamp		2		MT-X 1440 A E3, MT-X 1840 A E3
27	168854	Protection plate		1		MT-X 1440 A E3, MT-X 1840 A E3
28	58531	Screw	H M8-50-8.8-ZN8/C	1		MT-X 1440 A E3, MT-X 1840 A E3
29	168492	Half clamp		2		MT-X 1440 A E3, MT-X 1840 A E3

Позиция	№ детали	Название	Characteristics	К-во	Superseded Part Number	Product Type
35	168863	Half clamp		2		MT-X 1440 A E3, MT-X 1840 A E3
36	168494	Protection plate		1		MT-X 1440 A E3, MT-X 1840 A E3
37	168753	Union		4		MT-X 1440 A E3, MT-X 1840 A E3
38	169552	O ring		1		MT-X 1440 A E3, MT-X 1840 A E3
39	259532	Complete distributor		1		MT-X 1440 A E3, MT-X 1840 A E3
40	198433	Screw	CBHc,M10-20 zn	2		MT-X 1440 A E3, MT-X 1840 A E3
41	58528	Nut	H ,M 8 ZN, H,M 8 ZN	1		MT-X 1440 A E3, MT-X 1840 A E3
42	235272	Lever		1		MT-X 1440 A E3, MT-X 1840 A E3
43	181130	TBD_SBOM		1		MT-X 1440 A E3, MT-X 1840 A E3
44	259553	Hose	L1500	1		MT-X 1440 A E3, MT-X 1840 A E3
45	168863	Half clamp		4		MT-X 1440 A E3, MT-X 1840 A E3
46	168494	Protection plate		2		MT-X 1440 A E3, MT-X 1840 A E3
47	61323	Screw	H M8-35-8.8-ZN8/C	2		MT-X 1440 A E3, MT-X 1840 A E3
48	197233	Elbow connector adaptor		2		MT-X 1440 A E3, MT-X 1840 A E3
49	405064	Union		2		MT-X 1440 A E3, MT-X 1840 A E3
50	259552	Hose	L1900	1		MT-X 1440 A E3, MT-X 1840 A E3
51	274240	Half clamp		2		MT-X 1440 A E3, MT-X 1840 A E3
52	168494	Protection plate		1		MT-X 1440 A E3, MT-X 1840 A E3
53	61323	Screw	H M8-35-8.8-ZN8/C	1		MT-X 1440 A E3, MT-X 1840 A E3
54	259552	Hose	L1900	1		MT-X 1440 A E3, MT-X 1840 A E3
55	197233	Elbow connector adaptor		1		MT-X 1440 A E3, MT-X 1840 A E3
56	190887	Union		1		MT-X 1440 A E3, MT-X 1840 A E3
57	168852	Half clamp		2		MT-X 1440 A E3, MT-X 1840 A E3
58	168854	Protection plate		1		MT-X 1440 A E3, MT-X 1840 A E3
59	58531	Screw	H M8-50-8.8-ZN8/C	1		MT-X 1440 A E3, MT-X 1840 A E3
60	268226	Support		1		MT-X 1440 A E3, MT-X 1840 A E3
61	168001	Mounting plate		1		MT-X 1440 A E3, MT-X 1840 A E3
62	291617	Tube		1		MT-X 1440 A E3, MT-X 1840 A E3
63	291619	Tube		1		MT-X 1440 A E3, MT-X 1840 A E3
64	264527	steering wheel		1		MT-X 1440 A E3, MT-X 1840 A E3
65	746362	handle		1		MT-X 1440 A E3, MT-X 1840 A E3
66	746361	plug		1		MT-X 1440 A E3, MT-X 1840 A E3
67	261191	Support		1		MT-X 1440 A E3, MT-X 1840 A E3
68	202731	Screw	CBHc,M8-16-10.9-ZN8	2		MT-X 1440 A E3, MT-X 1840 A E3

Позиция	№ детали	Название	Characteristics	К-во	Superse ded PartNum ber	Product Type
68	264606	Pin		1		MT-X 1840 A E3
69	192213	Circlip		1		MT-X 1840 A E3
70	219457	O ring		1		MT-X 1840 A E3
71	292349	Profile seal		1		MT-X 1840 A E3
72	297021	Half flange		2		MT-X 1840 A E3
73	297023	Half flange		2		MT-X 1840 A E3
74	293806	Screw	CHc,M6-25-8.8- ZN8/CFR	4		MT-X 1840 A E3
75	41186	Nut	H,M14 C10 ZN..C	2		MT-X 1840 A E3
76	259975	Support		1		MT-X 1840 A E3
77	232750	Screw	H emb M6-16- 8.8-ZN8/C	2		MT-X 1840 A E3
78	168850	Half clamp		8		MT-X 1840 A E3
79	168490	Protection plate		4		MT-X 1840 A E3
80	205933	Screw	H M6-90-8.8- ZN5/C	4		MT-X 1840 A E3
81	162229	Nut	H,FRm 6 C 8 ZN..C	4		MT-X 1840 A E3
82	293804	Screw	H emb M8-12- 8.8-ZN8/CFR	4		MT-X 1840 A E3
83	289295	Pin	V 3x22	2		MT-X 1840 A E3
84	61698	Pin	V 5x32 ZN	2		MT-X 1840 A E3
85	300952	Cam		1		MT-X 1840 A E3
86	268255	Screw	H emb M8-168.8- ZN8/CFR	2		MT-X 1840 A E3
87	52515990	Gutter		1		MT-X 1840 A E3
88	52515996	Housing		1		MT-X 1840 A E3

Позиция	№ детали	Название	Characteristics	К-во	Superseded Part Number	Product Type
39	279042	Suction fan		1		MT-X 1440 A E3, MT-X 1840 A E3
40	218258	Elbow connector adaptor		1		MT-X 1440 A E3, MT-X 1840 A E3
41	745749	Gear pump seal kit		1		MT-X 1440 A E3, MT-X 1840 A E3
42	216972	Extension union		1		MT-X 1440 A E3, MT-X 1840 A E3
45	86788	O ring		1		MT-X 1440 A E3, MT-X 1840 A E3
46	217148	Adaptor connector		1		MT-X 1440 A E3, MT-X 1840 A E3
47	184787	Watertight seal		1		MT-X 1440 A E3, MT-X 1840 A E3
48	259523	One-way valve		1		MT-X 1440 A E3, MT-X 1840 A E3
49	74356	Union		1		MT-X 1440 A E3, MT-X 1840 A E3
50	193325	Elbow connector adaptor	90°	1		MT-X 1440 A E3, MT-X 1840 A E3
51	167925	Union		1		MT-X 1440 A E3, MT-X 1840 A E3
52	168852	Half clamp		4		MT-X 1440 A E3, MT-X 1840 A E3
55	250878	Clamp		1		MT-X 1440 A E3, MT-X 1840 A E3
56	254177	Nut	H,EMBm 8 C 8 ZN8/C	1		MT-X 1440 A E3, MT-X 1840 A E3
57	748485	Screw		2		MT-X 1440 A E3, MT-X 1840 A E3
58	42232	Washer	W10 ZN	4		MT-X 1440 A E3, MT-X 1840 A E3
59	702579	Key		1		MT-X 1440 A E3, MT-X 1840 A E3
60	706062	Washer		1		MT-X 1440 A E3, MT-X 1840 A E3
61	184672	Nut		1		MT-X 1440 A E3, MT-X 1840 A E3
62	282223	Screw	AHc,M8-90-33H-ZINTEKAG	1		MT-X 1440 A E3, MT-X 1840 A E3
63	268224	Fastening lug		1		MT-X 1440 A E3, MT-X 1840 A E3
64	250878	Clamp		1		MT-X 1440 A E3, MT-X 1840 A E3
65	259601	Screw	H emb M8-208.8DIN6921	1		MT-X 1440 A E3, MT-X 1840 A E3
66	298050	Hydraulic tube		1		MT-X 1440 A E3, MT-X 1840 A E3
67	456665	Hose		1		MT-X 1440 A E3, MT-X 1840 A E3
68	219457	O ring		1		MT-X 1440 A E3, MT-X 1840 A E3

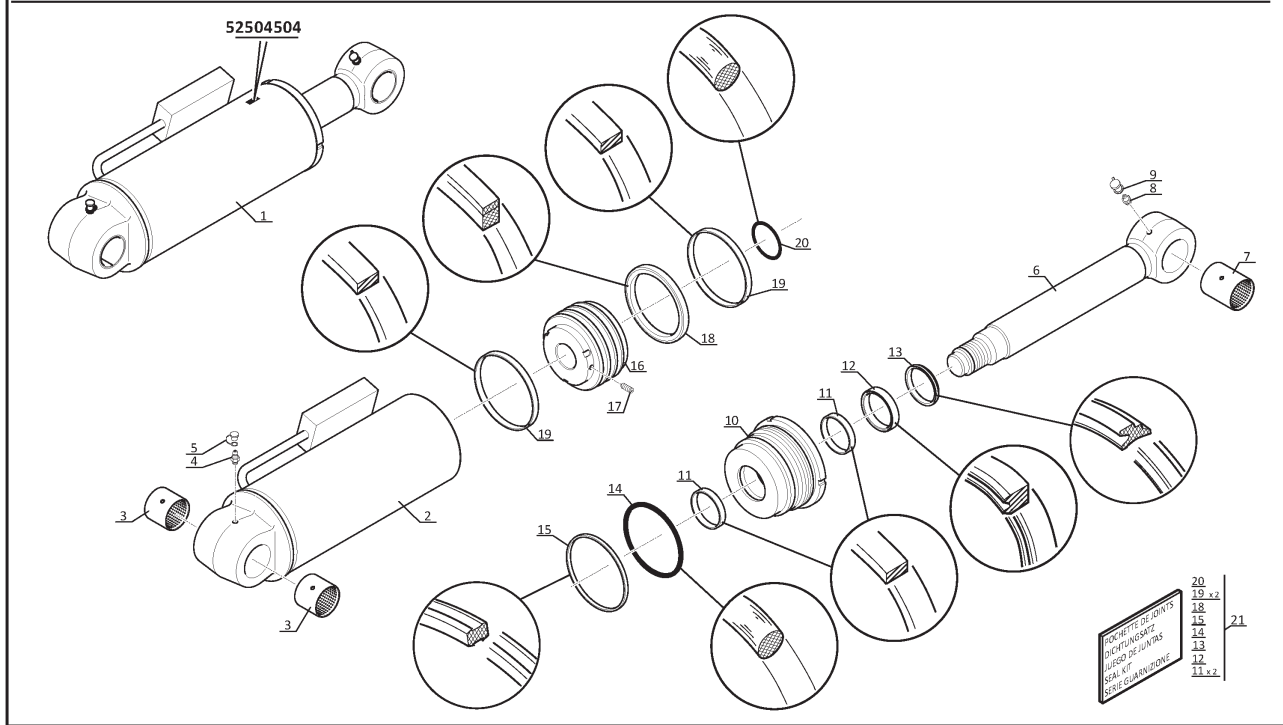
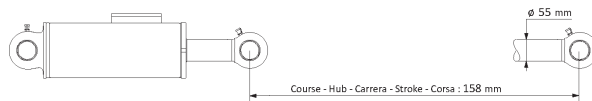
Позиция	№ детали	Название	Characteristics	К-во	Superse ded PartNum ber	Product Type
1	74356	Union		1		MT-X 1840 A E3
2	169372	O ring		0		MT-X 1840 A E3
3	259604	Connection		1		MT-X 1840 A E3
4	291868	Hose		1		MT-X 1840 A E3
5	25002	"O" ring		0	563895, 86788	MT-X 1840 A E3
6	291868	Hose		1		MT-X 1840 A E3
7	168855	Half clamp		4		MT-X 1840 A E3
8	277216	Screw	AHc,M8-70-33H- ZN8/C	2		MT-X 1840 A E3
9	254177	Nut	H,EMBm 8 C 8 ZN8/C	2		MT-X 1840 A E3
10	168855	Half clamp		2		MT-X 1840 A E3
11	168854	Protection plate		1		MT-X 1840 A E3
12	227088	Screw	AHc,M8-60-33H- ZN8/C	1		MT-X 1840 A E3
13	58528	Nut	H ,M 8 ZN, H,M 8 ZN	1		MT-X 1840 A E3
14	217043	Elbow connector adaptor	90°	2		MT-X 1840 A E3
15	190222	Union		2		MT-X 1840 A E3
16	190878	Watertight seal		0		MT-X 1840 A E3
17	199263	Balance valve block		1		MT-X 1840 A E3
18	749916	Repair kit		0		MT-X 1840 A E3
19	478002	Anti-extrusion seal		2		MT-X 1840 A E3
20	9047	"O" ring		2		MT-X 1840 A E3
22	58608	Screw	H M16-200-8.8- ZN8/C	1		MT-X 1840 A E3
23	183812	Washer	L16 160HV ZN	2		MT-X 1840 A E3
24	188730	SP washer	16,5x45x8 ZN	2		MT-X 1840 A E3
25	171460	Nut	H,FRm16 ZN	1		MT-X 1840 A E3
26	260538	Fastening lug		2		MT-X 1840 A E3
27	273112	Screw	H emb M10- 258.8-ZN8/CFR	4		MT-X 1840 A E3
28	777343	Pin		1		MT-X 1840 A E3
29	26774	Circlip		2		MT-X 1840 A E3
30	52504508	Telescope cylinder	D80mm C3730mm	1		MT-X 1840 A E3
31	42232	Washer	W10 ZN	4		MT-X 1840 A E3
32	31003	Screw	H M10-60-8.8- ZN8/C	4		MT-X 1840 A E3



10 CF 93

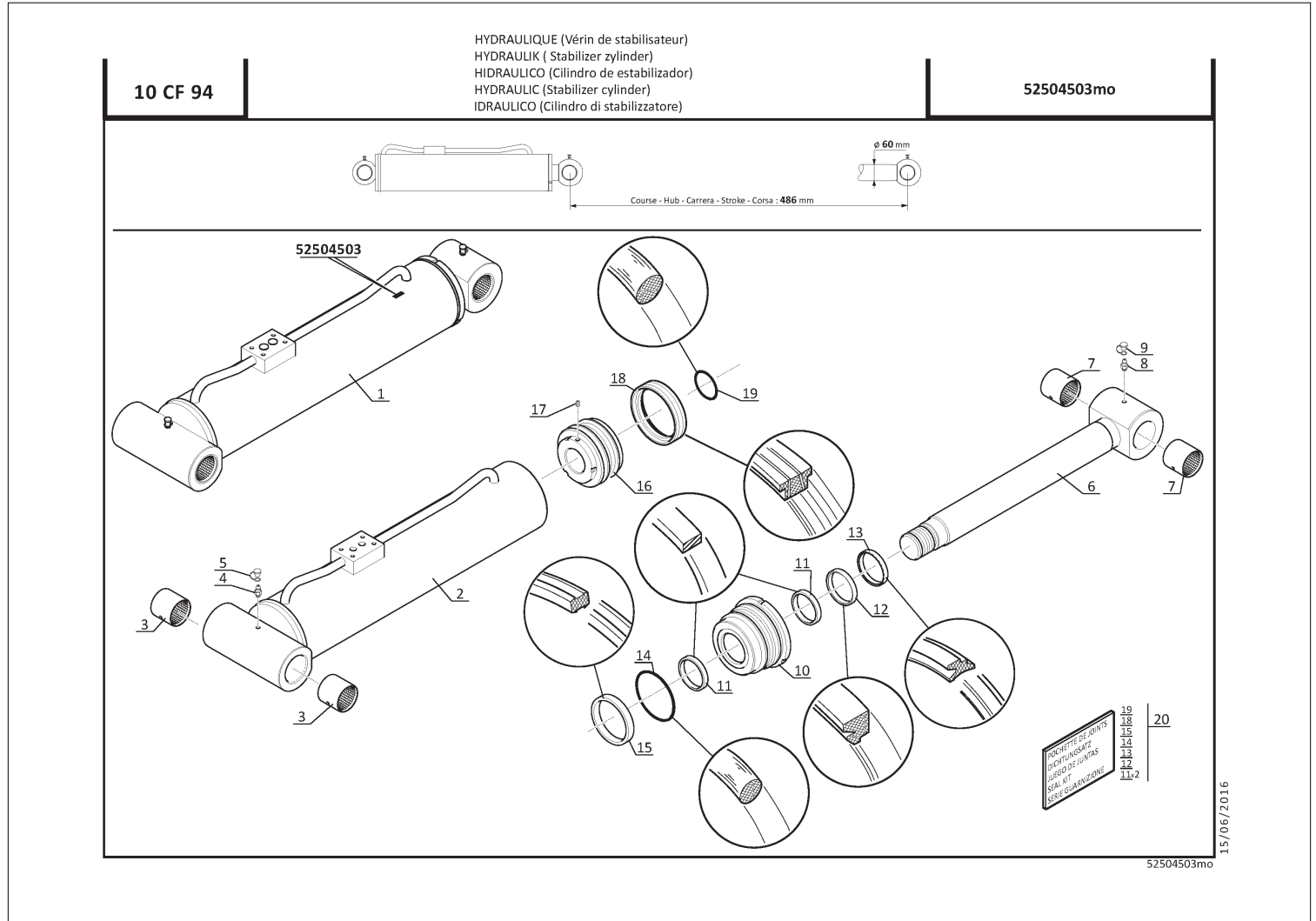
HYDRAULIQUE (Vérin de correcteur de devers)  
 HYDRAULIK (Niveauausgleich zylinder)  
 HIDRAULICO (Cilindro corrector de inclinacion)  
 HYDRAULIC (Cylinder of levelling system)  
 IDRAULICO (Circuito livellamento)

52505504mo



52504504mo

06/10/2014



CLICK HERE TO **DOWNLOAD** THE COMPLETE MANUAL

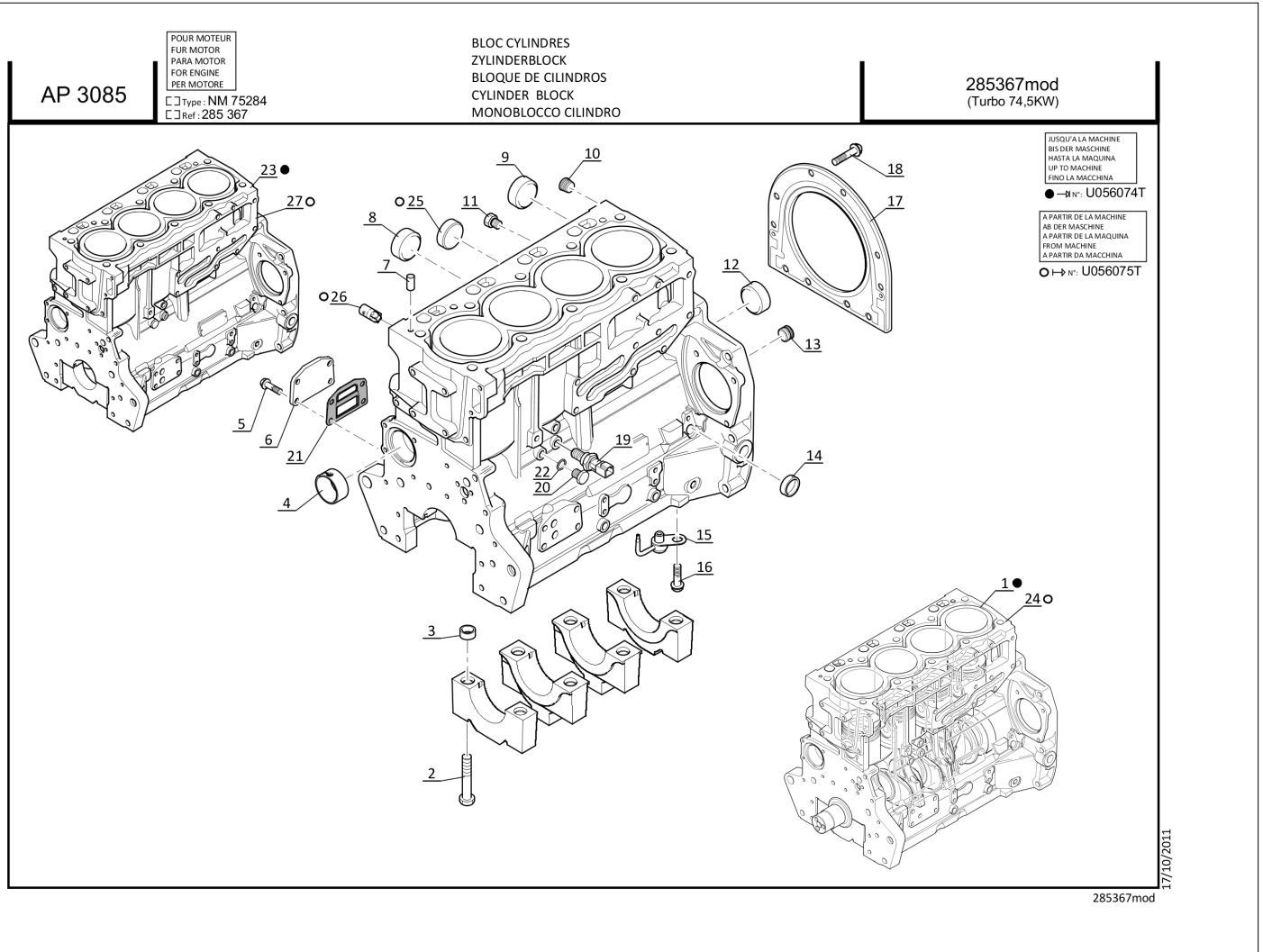
- Thank you very much for reading the preview of the manual.
- You can download the complete manual from: [www.heydownloads.com](http://www.heydownloads.com) by clicking the link below



- Please note: If there is no response to CLICKING the link, please download this PDF first and then click on it.

CLICK HERE TO **DOWNLOAD** THE COMPLETE MANUAL

Позиция	№ детали	Название	Characteristics	К-во	Superse ded PartNum ber	Product Type
37	61676	Washer	M12 ZN	18		MT-X 1840 A E3



Позиция	№ детали	Название	Characteristics	K-VO	Superse ded PartNum ber	Product Type
0	285367	Complete engine		1		285367MOD
1	747614	rocker arm shaft		1		285367MOD
2	604931	jeu		1		285367MOD
3	604932	bouchon		2		285367MOD
4	747615	culbuteur		4		285367MOD
5	747616	ecrou		1		285367MOD
6	740862	vis		1		285367MOD
7	604934	ressort		3		285367MOD
8	747617	culbuteur		4		285367MOD
9	747616	ecrou		1		285367MOD
10	740862	vis		1		285367MOD
11	604936	bague		2		285367MOD
12	604937	rondelle		2		285367MOD
13	604938	vis		1		285367MOD
14	604939	vis		3		285367MOD
15	740873	tige		8		285367MOD
16	747371	poussoir		8		285367MOD

Позиция	№ детали	Название	Characteristics	K-BO	Superse ded PartNum ber	Product Type
0	285367	Complete engine		1		285367MOD
1	704637	Connection		1	604983	285367MOD
2	704937	bouchon		1		285367MOD
3	704936	thermostat		1		285367MOD
4	476074	vis		1		285367MOD
5	473986	Screw	8x25	1		285367MOD
6	564551	plaque		2		285367MOD
7	473560	joint		2		285367MOD
8	474064	Screw		4		285367MOD
9	604986	tige		2		285367MOD
10	473943	vis		4		285367MOD
11	704938	joint		1		285367MOD
12	474105	vis		4		285367MOD
13	745998	Connection		1		285367MOD
14	702323	Seal		1		285367MOD
15	602608	Screw		2	550482	285367MOD
16	705461	Screw		2		285367MOD
17	746417	Spacer		1		285367MOD
18	473560	joint		1		285367MOD

Позиция	№ детали	Название	Characteristics	К-во	Superse ded PartNum ber	Product Type
0	285367	Complete engine		1		285367MOD
1	958579	TBD_SBOM		1	781686, 788128	285367MOD
2	473907	Stud-bolt		1		285367MOD
3	473969	Nut		3		285367MOD

4 AA 1251

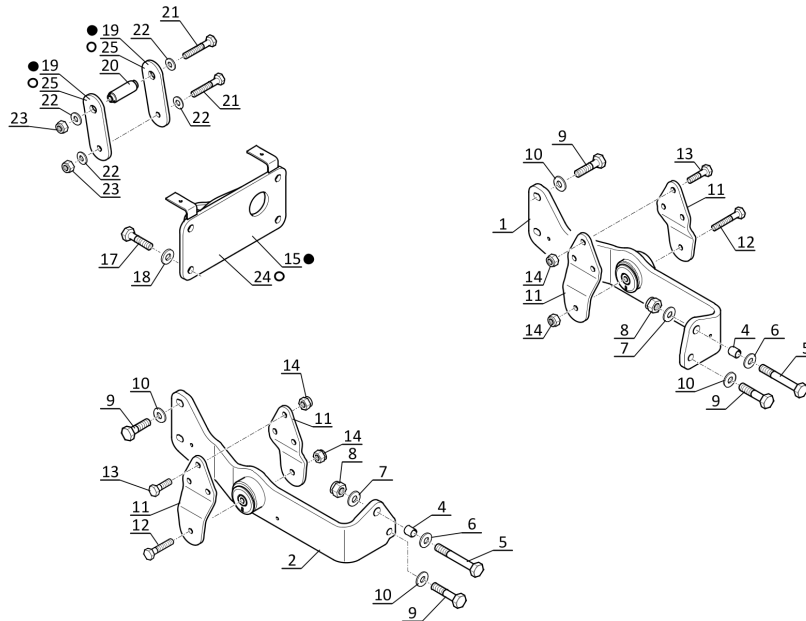
ADAPTATION MOTEUR-TRANSMISSION  
 MOTOR-GETRIEBE ANPASSUNG  
 ADAPTACION MOTOR-TRANSMISION  
 ENGINE-TRANSMISSION ADAPTATION  
 ADATTAMENTO MOTORE - TRASMISSIONE

MT-X 1440 A E3  
 MT-X 1840 A E3

JUSQU'A LA MACHINE  
 BIS DER MASCHINE  
 HASTA LA MAQUINA  
 UP TO MACHINE  
 FINO LA MACCHINA

A PARTIR DE LA MACHINE  
 AB DER MASCHINE  
 A PARTIR DE LA MAQUINA  
 FROM MACHINE  
 DALLA MACCHINA

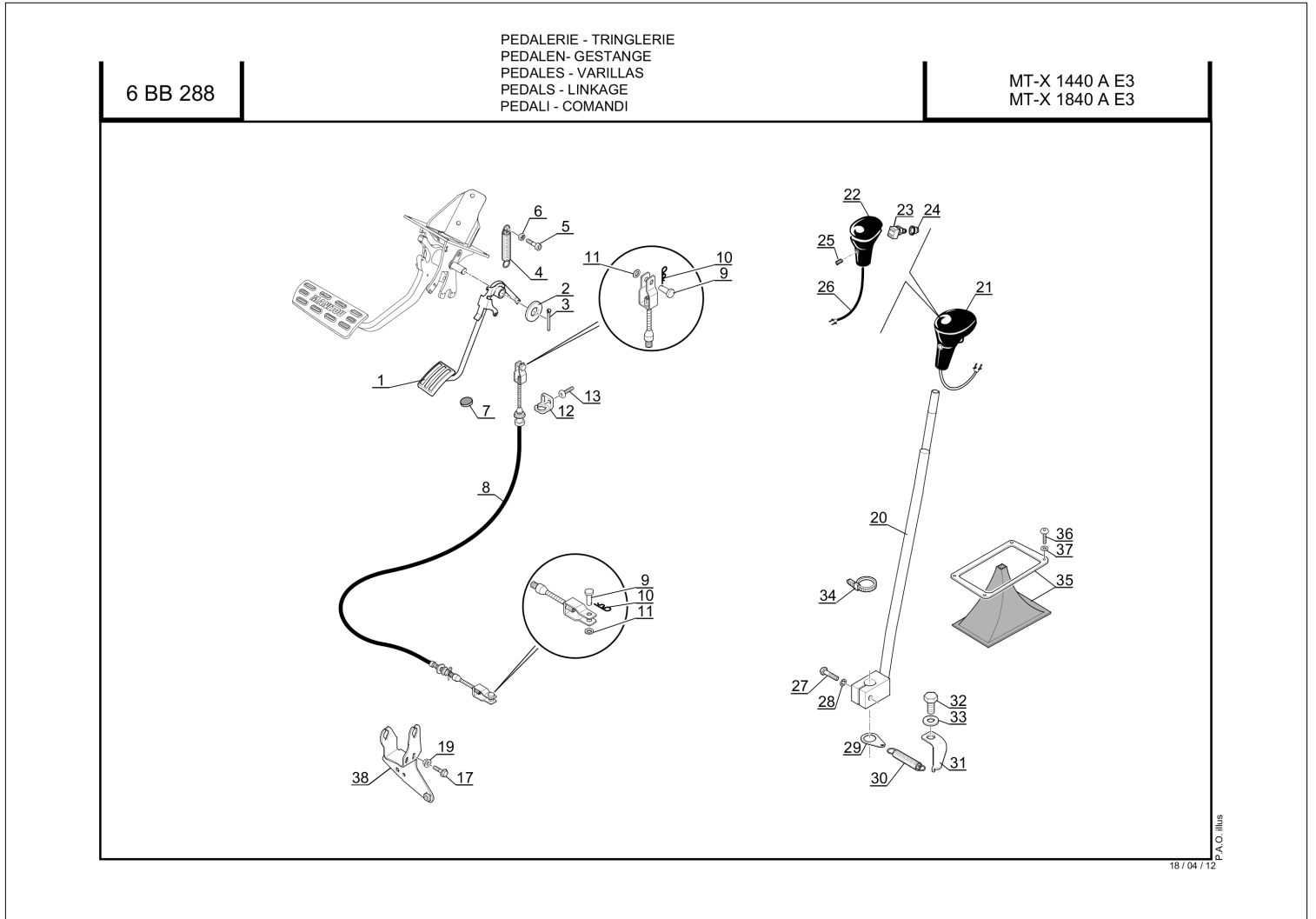
● → N°: 962 593 ○ → N°: 962 594



647144  
 13/05/2016

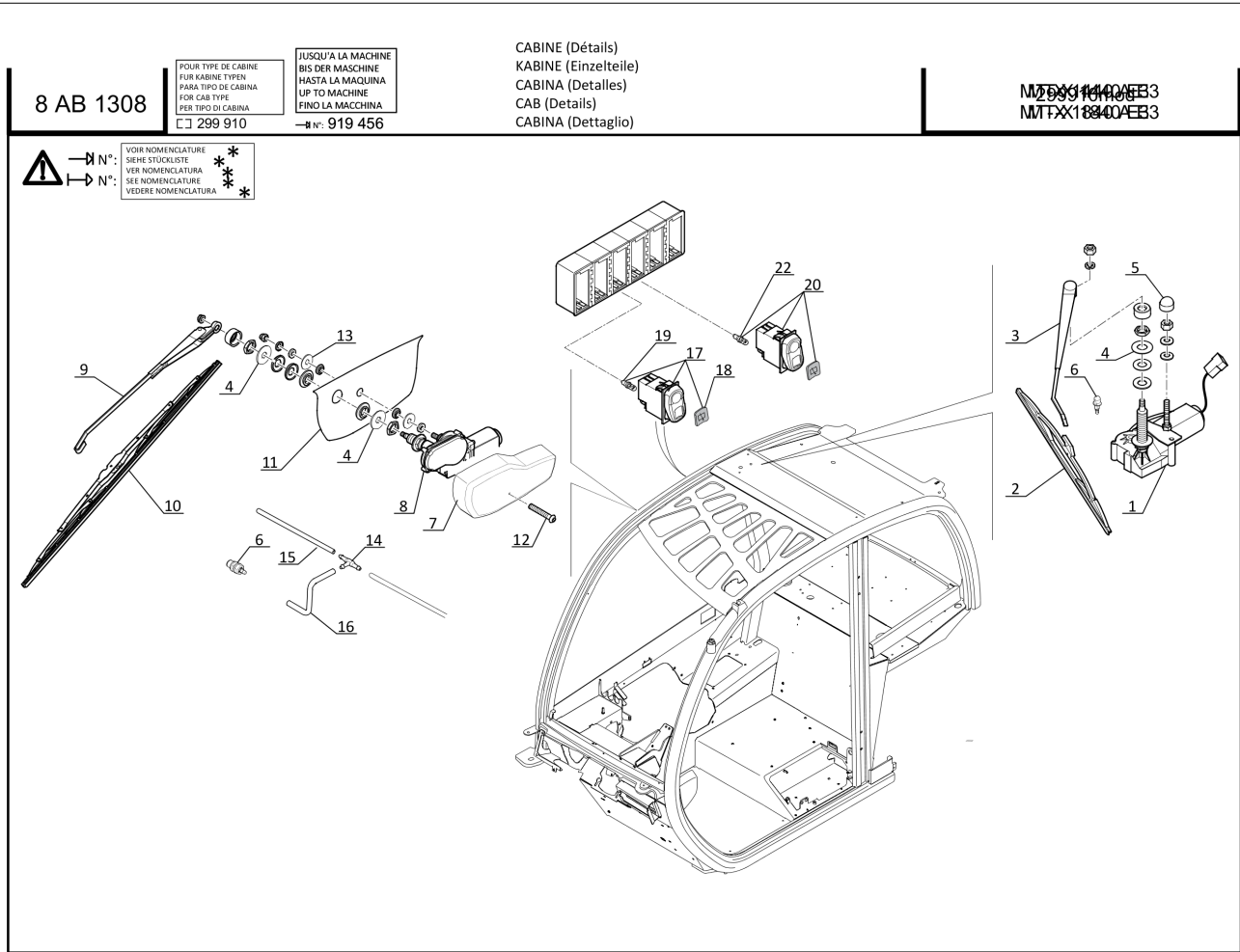
Позиция	№ детали	Название	Characteristics	К-во	Superse ded PartNum ber	Product Type
36	302028	Expansion tank plug		1		MT-X 1440 A E3, MT-X 1840 A E3
37	305814	Complete expansion chamber		1		MT-X 1440 A E3, MT-X 1840 A E3
38	271525	Hose		1		MT-X 1440 A E3, MT-X 1840 A E3
39	227352	Clamp	D11,5- 13	1		MT-X 1440 A E3, MT-X 1840 A E3
40	317485	Clamp		1		MT-X 1440 A E3, MT-X 1840 A E3

PEDALS



Позиция	№ детали	Название	Characteristics	K-vo	Superse ded PartNum ber	Product Type
70	746373	Screw cover		2		MT 1440 H A E3, MT 1440 H E3, MT 1840 A E3, MT 1840 E3, MT 1440 E3, MT 1840 H E3, MT 1840 H A E3, MT 1440 A E3
71	29469	Washer	M 6 ZN	1		MT-X 1840 E3, MT-X 1440 A E3, MT-X 1840 A E3, MT-X 1440 E3
71	29469	Washer	M 6 ZN	2		MT 1440 H A E3, MT 1440 H E3, MT 1840 A E3, MT 1840 E3, MT 1440 E3, MT 1840 H E3, MT 1840 H A E3, MT 1440 A E3
72	42316	Washer	W 6 ZN, W6 ZN	1		MT-X 1840 E3, MT-X 1440 A E3, MT-X 1840 A E3, MT-X 1440 E3
72	42316	Washer	W 6 ZN, W6 ZN	2		MT 1440 H A E3, MT 1440 H E3, MT 1840 A E3, MT 1840 E3, MT 1440 E3, MT 1840 H E3, MT 1840 H A E3, MT 1440 A E3
73	796087	Support		1		MT-X 1840 E3, MT-X 1440 A E3, MT-X 1840 A E3, MT-X 1440 E3
73	796087	Support		2		MT 1440 H A E3, MT 1440 H E3, MT 1840 A E3, MT 1840 E3, MT 1440 E3, MT 1840 H E3, MT 1840 H A E3, MT 1440 A E3
74	175199	plug		1		MT 1440 H A E3, MT 1440 H E3, MT 1840 A E3, MT 1840 E3, MT 1440 E3, MT 1840 H E3, MT 1840 H A E3, MT-X 1840 E3, MT-X 1440 A E3, MT 1440 A E3, MT-X 1840 A E3, MT-X 1440 E3
75	748469	Foam		1		MT-X 1840 E3, MT-X 1440 A E3, MT-X 1840 A E3, MT-X 1440 E3
75	748469	Foam		2		MT 1440 H A E3, MT 1440 H E3, MT 1840 A E3, MT 1840 E3, MT 1440 E3, MT 1840 H E3, MT 1840 H A E3, MT 1440 A E3
76	178626	Wedge	4mm	1		MT-X 1840 E3, MT-X 1440 A E3, MT-X 1840 A E3, MT-X 1440 E3
76	178626	Wedge	4mm	6		MT 1440 H A E3, MT 1440 H E3, MT 1840 A E3, MT 1840 E3, MT 1440 E3, MT 1840 H E3, MT 1840 H A E3, MT 1440 A E3
77	795383	seal		1		MT 1440 H A E3, MT 1440 H E3, MT 1840 A E3, MT 1840 E3, MT 1440 E3, MT 1840 H E3, MT 1840 H A E3, MT-X 1840 E3, MT-X 1440 A E3, MT 1440 A E3, MT-X 1840 A E3, MT-X 1440 E3
78	795384	Nut		1		MT 1440 H A E3, MT 1440 H E3, MT 1840 A E3, MT 1840 E3, MT 1440 E3, MT 1840 H E3, MT 1840 H A E3, MT-X 1840 E3, MT-X 1440 A E3, MT 1440 A E3, MT-X 1840 A E3, MT-X 1440 E3
79	702946	Insert	5	2		MT 1440 H A E3, MT 1440 H E3, MT 1840 A E3, MT 1840 E3, MT 1440 E3, MT 1840 H E3, MT 1840 H A E3, MT 1440 A E3
79	702946	Insert	5	1		MT-X 1840 E3, MT-X 1440 A E3, MT-X 1840 A E3, MT-X 1440 E3

Позиция	№ детали	Название	Characteristics	К-во	Superse ded PartNumber	Product Type
26	795382	Connection		1		MT 1440 H A E3, MT 1440 H E3, MT 1840 A E3, MT 1840 E3, MT 1440 E3, MT 1840 H E3, MT 1840 H A E3, MT-X 1840 E3, MT-X 1440 A E3, MT 1440 A E3, MT-X 1840 A E3, MT-X 1440 E3
27	746503	Cable grommet		1		MT 1440 H A E3, MT 1440 H E3, MT 1840 A E3, MT 1840 E3, MT 1440 E3, MT 1840 H E3, MT 1840 H A E3, MT-X 1840 E3, MT-X 1440 A E3, MT 1440 A E3, MT-X 1840 A E3, MT-X 1440 E3
28	748474	Screw	H emb M8-16	1		MT 1440 H A E3, MT 1440 H E3, MT 1840 A E3, MT 1840 E3, MT 1440 E3, MT 1840 H E3, MT 1840 H A E3, MT-X 1840 E3, MT-X 1440 A E3, MT 1440 A E3, MT-X 1840 A E3, MT-X 1440 E3
29	205275	Black screw	CBHc,M6-20-10.9-ZN5	1		MT 1440 H A E3, MT 1440 H E3, MT 1840 A E3, MT 1840 E3, MT 1440 E3, MT 1840 H E3, MT 1840 H A E3, MT-X 1840 E3, MT-X 1440 A E3, MT 1440 A E3, MT-X 1840 A E3, MT-X 1440 E3
30	42316	Washer	W 6 ZN, W6 ZN	1		MT 1440 H A E3, MT 1440 H E3, MT 1840 A E3, MT 1840 E3, MT 1440 E3, MT 1840 H E3, MT 1840 H A E3, MT-X 1840 E3, MT-X 1440 A E3, MT 1440 A E3, MT-X 1840 A E3, MT-X 1440 E3
31	29469	Washer	M 6 ZN	1		MT 1440 H A E3, MT 1440 H E3, MT 1840 A E3, MT 1840 E3, MT 1440 E3, MT 1840 H E3, MT 1840 H A E3, MT-X 1840 E3, MT-X 1440 A E3, MT 1440 A E3, MT-X 1840 A E3, MT-X 1440 E3
32	746501	Fastening lug		1		MT 1440 H A E3, MT 1440 H E3, MT 1840 A E3, MT 1840 E3, MT 1440 E3, MT 1840 H E3, MT 1840 H A E3, MT-X 1840 E3, MT-X 1440 A E3, MT 1440 A E3, MT-X 1840 A E3, MT-X 1440 E3
33	178125	Nut	EQCm 6 C	1		MT 1440 H A E3, MT 1440 H E3, MT 1840 A E3, MT 1840 E3, MT 1440 E3, MT 1840 H E3, MT 1840 H A E3, MT-X 1840 E3, MT-X 1440 A E3, MT 1440 A E3, MT-X 1840 A E3, MT-X 1440 E3
34	746502	Soundproofing		1		MT 1440 H A E3, MT 1440 H E3, MT 1840 A E3, MT 1840 E3, MT 1440 E3, MT 1840 H E3, MT 1840 H A E3, MT-X 1840 E3, MT-X 1440 A E3, MT 1440 A E3, MT-X 1840 A E3, MT-X 1440 E3
35	563829	Insert	6	1		MT 1440 H A E3, MT 1440 H E3, MT 1840 A E3, MT 1840 E3, MT 1440 E3, MT 1840 H E3, MT 1840 H A E3, MT-X 1840 E3, MT-X 1440 A E3, MT 1440 A E3, MT-X 1840 A E3, MT-X 1440 E3
36	565543	Insert		1		MT 1440 H A E3, MT 1440 H E3, MT 1840 A E3, MT 1840 E3, MT 1440 E3, MT 1840 H E3, MT 1840 H A E3, MT-X 1840 E3, MT-X 1440 A E3, MT 1440 A E3, MT-X 1840 A E3, MT-X 1440 E3
37	795383	seal		1		MT 1440 H A E3, MT 1440 H E3, MT 1840 A E3, MT 1840 E3, MT 1440 E3, MT 1840 H E3, MT 1840 H A E3, MT-X 1840 E3, MT-X 1440 A E3, MT 1440 A E3, MT-X 1840 A E3, MT-X 1440 E3
38	795384	Nut		1		MT 1440 H A E3, MT 1440 H E3, MT 1840 A E3, MT 1840 E3, MT 1440 E3, MT 1840 H E3, MT 1840 H A E3, MT-X 1840 E3, MT-X 1440 A E3, MT 1440 A E3, MT-X 1840 A E3, MT-X 1440 E3



Позиция	№ детали	Название	Characteristics	К-во	Superseded PartNumber	Product Type
36	563829	Insert	6	4		308232MOD
37	29469	Washer	M 6 ZN	4		308232MOD
38	42316	Washer	W 6 ZN, W6 ZN	4		308232MOD
39	205275	Black screw	CBHc,M6-20-10.9-ZN5	4		308232MOD
40	746451	Front windscreen-wiper motor		1		308232MOD
41	746452	Windscreen-wiper motor	4 FIXATIONS ; 5 COSSES	1		308232MOD
42	746453	Support		1		308232MOD
43	563829	Insert	6	1		308232MOD
44	741519	Profile seal		1		308232MOD
45	746454	Front windscreen wiper kit		1		308232MOD
46	746455	Blade holder	SUPPORT DOUBLE ; 3 FIXATIONS ; EMBOUT	1		308232MOD
47	746456	Front windscreen wiper blade	2 FIXATION VIS	1		308232MOD
48	746457	Blade holder	1 FIXATION ; PAS D'EMBOUT	1		308232MOD
49	746458	Front windscreen wiper blade	FIXATION CLIP	1		308232MOD
50	704993	Front windscreen		1		308232MOD
51	746459	Cap		1		308232MOD
52	746460	ashtray		1		308232MOD
53	704999	glass		1		308232MOD
54	702946	Insert	5	2		308232MOD
55	704994	Roof viewing port	BOMBEE	1		308232MOD
56	564618	seal		1		308232MOD
58	748468	Wedge		8		308232MOD
59	747301	Anti-vibration plate		1		308232MOD
60	747302	Support		1		308232MOD
61	190732	Screw	CBHc,M6-25-ZN	2		308232MOD
62	194673	Plastic washer		2		308232MOD
63	746373	Screw cover		2		308232MOD
64	29469	Washer	M 6 ZN	2		308232MOD
65	42316	Washer	W 6 ZN, W6 ZN	2		308232MOD
66	796087	Support		2		308232MOD
67	175199	plug		1		308232MOD
68	748469	Foam		2		308232MOD
69	178626	Wedge	4mm	9		308232MOD

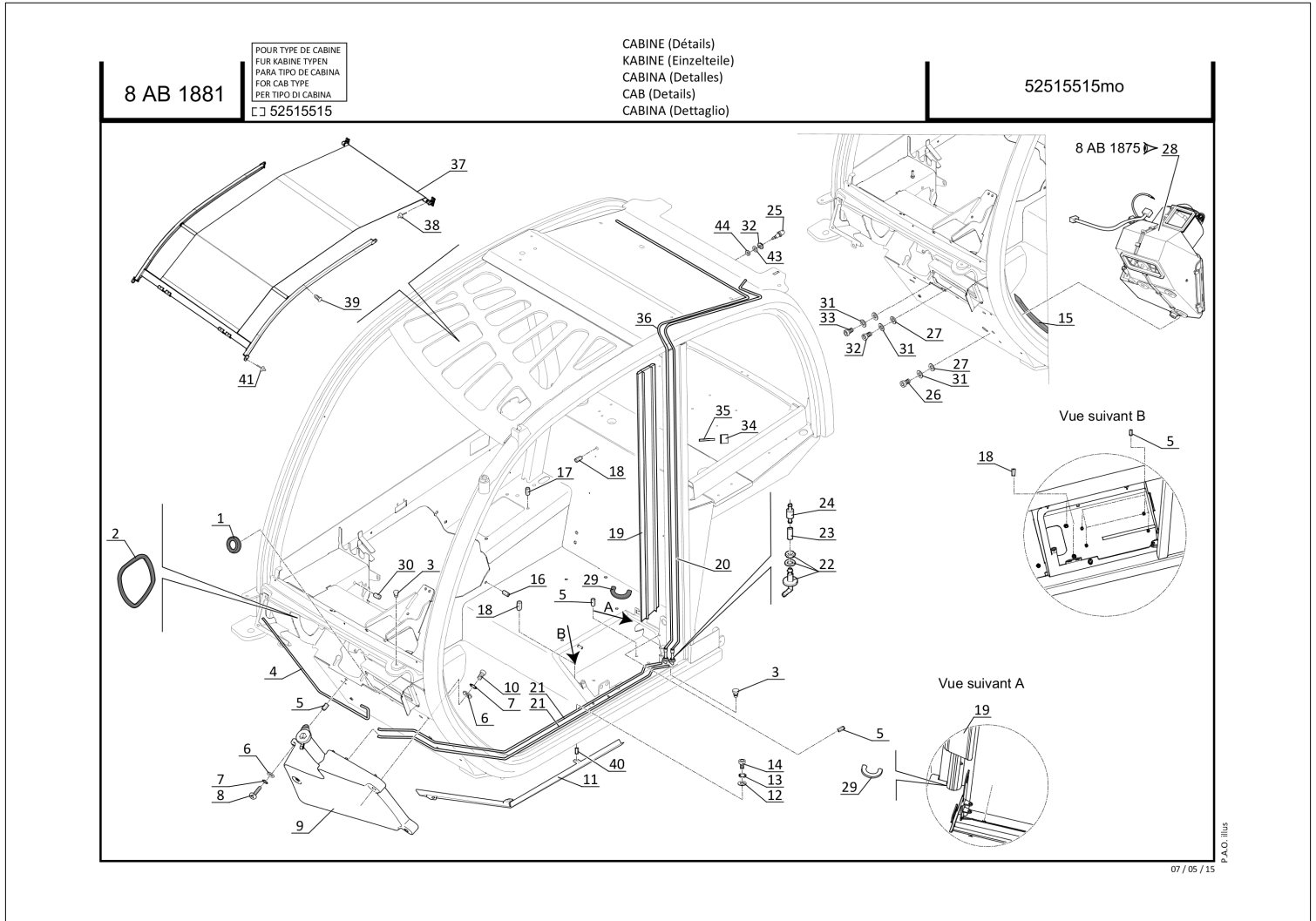
Позиция	№ детали	Название	Characteristics	К-во	Superse ded PartNum ber	Product Type
34	746502	Soundproofing		1		308232MOD
35	563829	Insert	6	1		308232MOD
36	565543	Insert		2		308232MOD
37	795383	seal		2		308232MOD
38	795384	Nut		2		308232MOD
39	563829	Insert	6	4		308232MOD

Позиция	№ детали	Название	Characteristics	К-во	Superse ded PartNum ber	Product Type
37	746604	Watertight seal		1		308232MOD

Позиция	№ детали	Название	Characteristics	К-во	Superse ded PartNum ber	Product Type
33	61674	Washer	M8 ZN12C/FE, M 8 ZN	2		52500441MO
34	42325	Washer	W 8 ZN	2		52500441MO
35	202144	Black screw	CBHc,M8-20- 10.9-ZN8	2		52500441MO
36	748472	Screw	H M6-65	1		52500441MO
37	25714	Nut	H,M 6 ZN	1		52500441MO
38	747308	Cap		1		52500441MO
39	224666	Screw	CBHc,M5-25	2		52500441MO
40	551569	Air spring		2		52500441MO
41	563866	Nut		1		52500441MO
42	266243	Support		1		52500441MO
43	224775	Plug		1		52500441MO
44	562202	Plug		2		52500441MO
45	561531	Clip		1		52500441MO

Позиция	№ детали	Название	Characteristics	K-BO	Superse ded PartNum ber	Product Type
0	308232	Cab		1		52500441MO
1	748074	Windscreen-wiper motor		1		52500441MO
2	748075	Roof windscreen wiper blade	EMBOUT CLIP	1		52500441MO
3	748076	Blade holder		1		52500441MO
4	551550	Washer		3		52500441MO
5	166702	Cap		1		52500441MO
6	941497	Nozzle		2		52500441MO
7	746753	Motor cover		1		52500441MO
8	746749	Windscreen-wiper motor	4 COSSES	1		52500441MO
9	746756	Blade holder	PAS D'EMBOUT ; 1 FIXATION	1		52500441MO
10	746757	Side windscreen wiper blade	L600	1		52500441MO
11	746755	Sticker		1		52500441MO
12	750252	Screw		1		52500441MO
13	941498	Seal		2		52500441MO
14	193157	Connection		1		52500441MO
15	748078	Hose		1		52500441MO
16	941766	Hose		1		52500441MO
17	266246	Windscreen wiper switch		1		52500441MO
18	747554	Lens		1		52500441MO
19	170836	White bulb		1		52500441MO
20	266247	Windscreen wiper switch		1		52500441MO
21	747800	Lens		1		52500441MO
22	170836	White bulb		1		52500441MO
23	61674	Washer	M8 ZN12C/FE, M 8 ZN	1		52500441MO
24	58528	Nut	H ,M 8 ZN, H,M 8 ZN	2		52500441MO
25	194661	Washer		1		52500441MO

Позиция	№ детали	Название	Characteristics	К-во	Superse ded PartNum ber	Product Type
72	921137	Seal		1		52515515MO

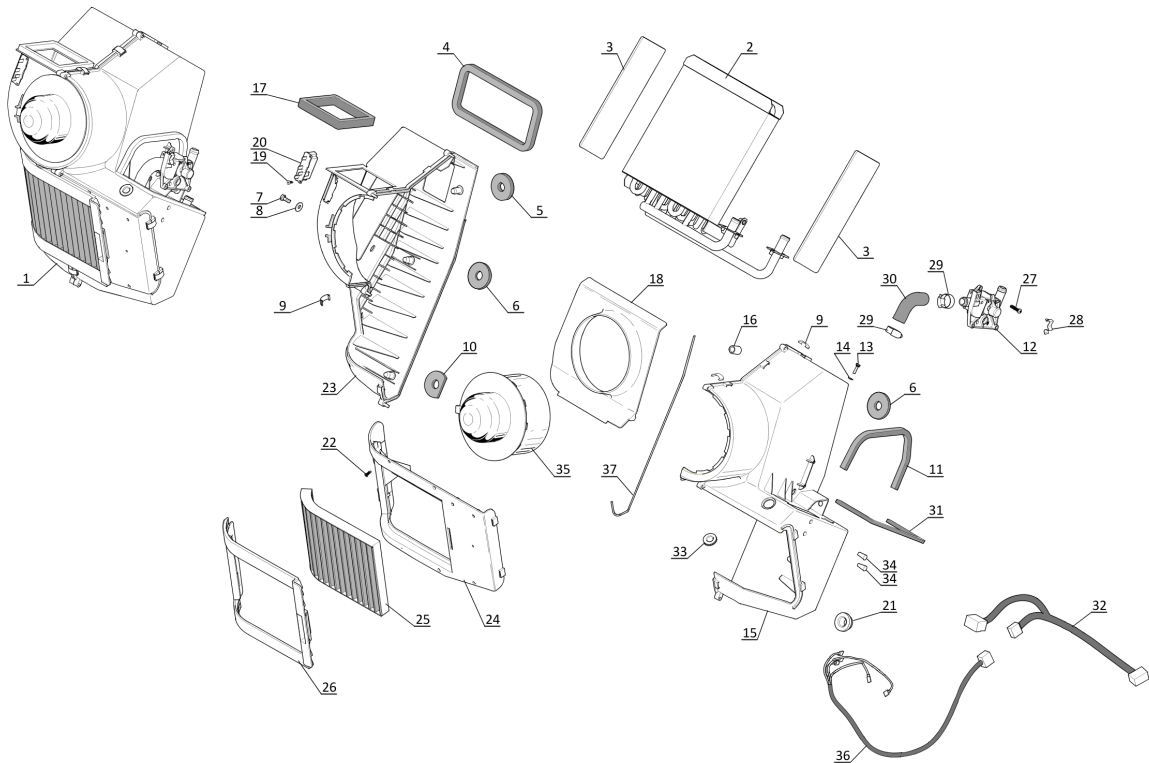


8 AD 196

JUSQU'A LA MACHINE  
BIS DER MASCHINE  
HASTA LA MACQUINA  
UP TO MACHINE  
FINO LA MACCHINA  
—N°: 919 456

CIRCUIT CHAUFFAGE  
ERHITZENKREIS  
CIRCUITO CALDEO  
HEATING CIRCUIT  
CIRCUITO RISCALDAMENTO

MT-X 1440 A E3  
MT-X 1840 A E3



19/03/2007

647144

Позиция	№ детали	Название	Characteristics	К-во	Superse ded PartNum ber	Product Type
70	563821	Screw		2	551487, 746724	278124MOD
71	958981	SENSOR		1	746725	278124MOD
72	797276	Housing		1		278124MOD
73	894008	Lateral axle case		1	745866	278124MOD
74	786463	Tube		1		278124MOD
75	796703	Gasket		1		278124MOD
76	796704	Cover		1		278124MOD
77	894147	Repair kit		1		278124MOD
78	748938	Brake lining kit		1		278124MOD
79	797280	Reduction bush		2		278124MOD
80	749987	Reduction bush		2		278124MOD
81	788018	Seal kit		1		278124MOD
82	787183	"O" ring		1		278124MOD

CLICK HERE TO **DOWNLOAD** THE COMPLETE MANUAL

- Thank you very much for reading the preview of the manual.
- You can download the complete manual from: [www.heydownloads.com](http://www.heydownloads.com) by clicking the link below



- Please note: If there is no response to CLICKING the link, please download this PDF first and then click on it.

CLICK HERE TO **DOWNLOAD** THE COMPLETE MANUAL