




MANITOU

HANDLING YOUR WORLD

**GENUINE PARTS CATALOGUE
CATALOGUE PIÈCES D'ORIGINE
ORIGINAL ERSATZTEILKATALOG
CATALOGO DE PIEZAS LEGITIMAS
CATALOGO RICAMBI ORIGINALI**

This document has been printed from  **mye doc**

MANITOU BF

Head office: 430, Rue de l'Aubinière
44150 Ancenis - FRANCE
Share capital: 39,548,949 euros
857 802 508 RCS Nantes
Tel: +33 (0)2 40 09 10 11
www.manitou.com

CLICK HERE TO **DOWNLOAD** THE COMPLETE MANUAL

- Thank you very much for reading the preview of the manual.
- You can download the complete manual from: www.heydownloads.com by clicking the link below



- Please note: If there is no response to CLICKING the link, please download this PDF first and then click on it.

CLICK HERE TO **DOWNLOAD** THE COMPLETE MANUAL

| | |
|--|-------------|
| 8AB1422 - KABINE (Einzelteile) (309352MOD) | 370 |
| 8AB1423 - KABINE (Einzelteile) (309352MOD) | 374 |
| 8AB1424 - KABINE (Einzelteile) (309352MOD) | 377 |
| 8AB1425 - KABINE (Einzelteile) (309352MOD) | 381 |
| 8AB1426 - KABINE (Einzelteile) (309352MOD) | 384 |
| 8AB1427 - KABINE (Einzelteile) (309352MOD) | 387 |
| 8AB1428 - KABINE (Einzelteile) (309352MOD) | 390 |
| CABINA_(52515129MO)_(--> 945601; --> 946862) | |
| 8AB1800 - KABINE (Einzelteile) (52515129MO) | 393 |
| 8AB1801 - KABINE (Einzelteile) (52515129MO) | 397 |
| 8AB1802 - KABINE (Einzelteile) (52515129MO) | 400 |
| 8AB1803 - KABINE (Einzelteile) (52515129MO) | 404 |
| 8AB1805 - KABINE (Einzelteile) (52515129MO) | 407 |
| 8AB1806 - ERHITZENKREIS (52515129MO) | 410 |
| CABINA_(52515517MO)_(--> 971099) | |
| 8AB1807 - KABINE (Einzelteile) (52515517MO) | 413 |
| 8AB1808 - KABINE (Einzelteile) (52515517MO) | 417 |
| 8AB1809 - KABINE (Einzelteile) (52515517MO) | 420 |
| 8AB1810 - KABINE (Einzelteile) (52515517MO) | 424 |
| 8AB1811 - KABINE (Einzelteile) (52515517MO) | 427 |
| 8AB1812 - KABINE (Einzelteile) (52515517MO) | 431 |
| 8AB1813 - ERHITZENKREIS (52515517MO) | 434 |
| CABINA_(52537671MO)_(--> 971100) | |
| 8AB1970 - KABINE (Einzelteile) (52537671MO) | 437 |
| 8AB1971 - KABINE (Einzelteile) (52537671MO) | 441 |
| 8AB1972 - KABINE (Einzelteile) (52537671MO) | 444 |
| 8AB1973 - KABINE (Einzelteile) (52537671MO) | 448 |
| 8AB1974 - KABINE (Einzelteile) (52537671MO) | 451 |
| 8AB1975 - KABINE (Einzelteile) (52537671MO) | 455 |
| 8AB1976 - KABINE (Einzelteile) (52537671MO) | 458 |
| _KABINE | |
| 8AA948 - KABINE ANPASSUNG (647104) | 460 |
| 8AA1059 - KABINE ANPASSUNG (647104) | See page 21 |
| _HEIZUNG - KLIMAANLAGE | |
| 8AD356 - ERHITZENKREIS (647104) | See page 70 |
| _ELEKTRIZITÄT | |
| 11AA1629 - STROMKREIS (647104) | See page 52 |

9 AA 645

A PARTIR DE LA MACHINE
AB DER MASCHINE
A PARTIR DE LA MAQUINA
FROM MACHINE
A PARTIR DA MACCHINA

↳ N°: 911 408

CARROSSERIE
KAROSSERIE
CARROCERIA
BODY
CARROZZERIA

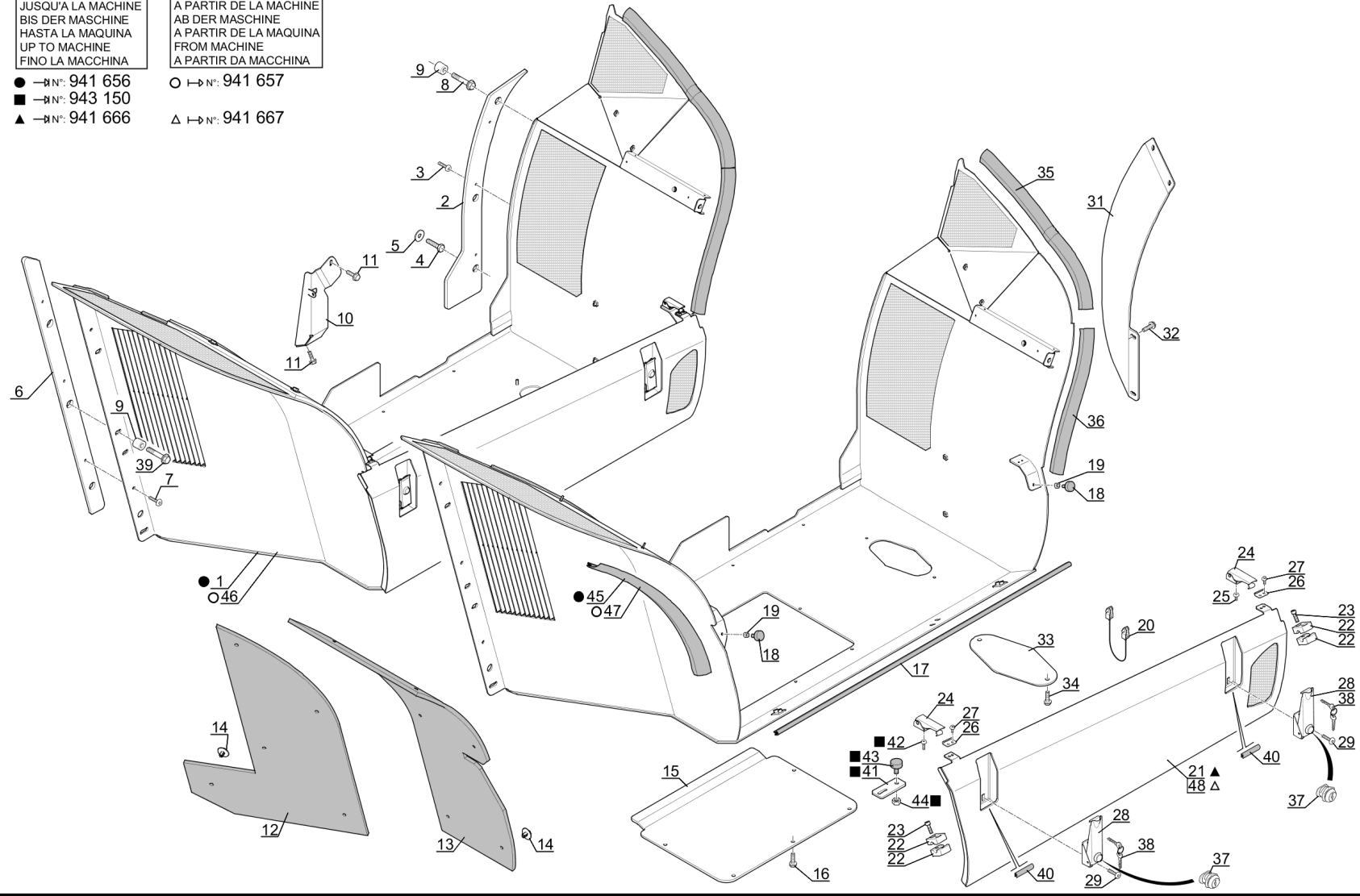
MT 835 ST3B
MT 1135 ST3B
MT 1335 ST3B

JUSQU'A LA MACHINE
BIS DER MASCHINE
HASTA LA MAQUINA
UP TO MACHINE
FINO LA MACCHINA

- → N°: 941 656
- → N°: 943 150
- ▲ → N°: 941 666

A PARTIR DE LA MACHINE
AB DER MASCHINE
A PARTIR DE LA MAQUINA
FROM MACHINE
A PARTIR DA MACCHINA

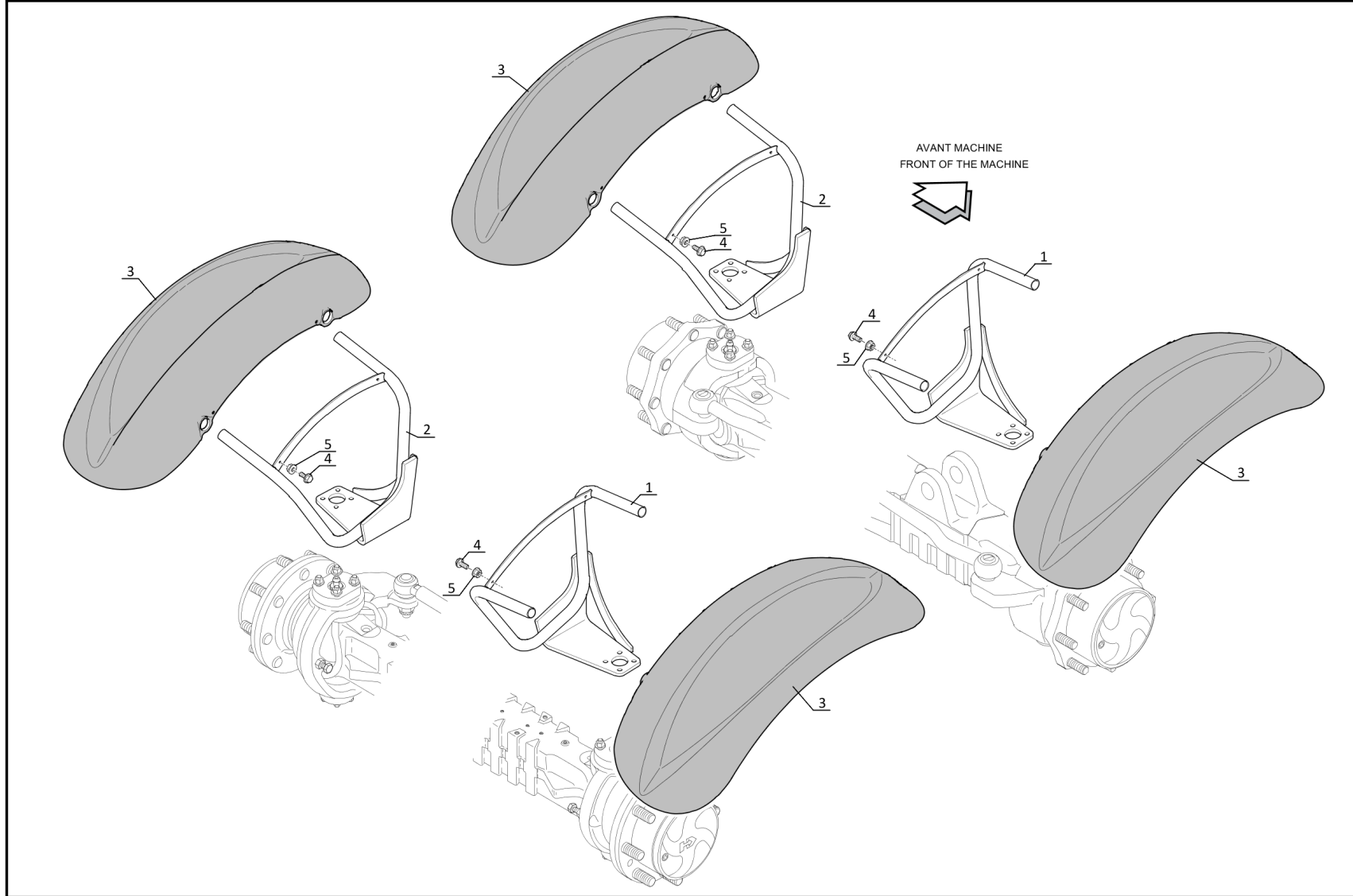
- ↳ N°: 941 657
- △ ↳ N°: 941 667



9 AA 597

CARROSSERIE
KAROSSERIE
CARROCERIA
BODY
CARROZERIA

MT 835 ST3B
MT 1135 ST3B
MT 1335 ST3B



P.A.O. illius

06 / 09 / 12

| Objekt | Teilenr. | Name | Characteristics | Anzahl | ersetzt die Referenz | Geräte Typ |
|--------|----------|---------------------|-----------------|--------|----------------------|---|
| 11 | 292398 | Halterung | | 1 | | MT 835 ST3B, MT 1335 ST3B, MT 1135 ST3B |
| 12 | 240822 | Schraube | M6 | 6 | | MT 835 ST3B, MT 1335 ST3B, MT 1135 ST3B |
| 14 | 4240 | Schraube | HM5 | 5 | | MT 835 ST3B, MT 1335 ST3B, MT 1135 ST3B |
| 15 | 29483 | Scheibe | | 5 | | MT 835 ST3B, MT 1335 ST3B, MT 1135 ST3B |
| 16 | 260495 | Schraube | M12 | 3 | | MT 835 ST3B, MT 1335 ST3B, MT 1135 ST3B |
| 17 | 44026 | Unterlegscheibe | | 3 | | MT 835 ST3B, MT 1335 ST3B, MT 1135 ST3B |
| 18 | 63546 | Schraube | HM12 | 3 | | MT 835 ST3B, MT 1335 ST3B, MT 1135 ST3B |
| 19 | 44026 | Unterlegscheibe | | 3 | | MT 835 ST3B, MT 1335 ST3B, MT 1135 ST3B |
| 20 | 278245 | Wartungsklappe | | 1 | | MT 835 ST3B, MT 1335 ST3B, MT 1135 ST3B |
| 21 | 232750 | Schraube | M6 | 3 | | MT 835 ST3B, MT 1335 ST3B, MT 1135 ST3B |
| 22 | 232027 | Schelle | | 2 | | MT 835 ST3B, MT 1335 ST3B, MT 1135 ST3B |
| 23 | 296436 | Schlauch | | 1 | | MT 835 ST3B, MT 1335 ST3B, MT 1135 ST3B |
| 24 | 225200 | stopfen | | 1 | | MT 835 ST3B, MT 1335 ST3B, MT 1135 ST3B |
| 25 | 31468 | schelle | | 2 | | MT 835 ST3B, MT 1335 ST3B, MT 1135 ST3B |
| 26 | 459227 | Schlauch | L900 | 1 | | MT 835 ST3B, MT 1335 ST3B, MT 1135 ST3B |
| 27 | 274120 | Schelle | | 2 | | MT 835 ST3B, MT 1335 ST3B, MT 1135 ST3B |
| 28 | 294723 | Schelle | | 2 | | MT 835 ST3B, MT 1335 ST3B, MT 1135 ST3B |
| 29 | 296488 | Schlauch | | 1 | | MT 835 ST3B, MT 1335 ST3B, MT 1135 ST3B |
| 30 | 274184 | Schelle | | 1 | | MT 835 ST3B, MT 1335 ST3B, MT 1135 ST3B |
| 31 | 274132 | Schelle | | 1 | | MT 835 ST3B, MT 1335 ST3B, MT 1135 ST3B |
| 32 | 295354 | Drahtdurchführung | | 1 | | MT 835 ST3B, MT 1335 ST3B, MT 1135 ST3B |
| 33 | 295360 | Kraftstoffanschluss | | 2 | | MT 835 ST3B, MT 1335 ST3B, MT 1135 ST3B |
| 34 | 296737 | O-Ring | | 1 | | MT 835 ST3B, MT 1335 ST3B, MT 1135 ST3B |
| 35 | 301482 | Schlauch | L1200 | 1 | | MT 835 ST3B, MT 1335 ST3B, MT 1135 ST3B |
| 36 | 270225 | Schelle | | 1 | | MT 835 ST3B, MT 1335 ST3B, MT 1135 ST3B |
| 37 | 274184 | Schelle | | 1 | | MT 835 ST3B, MT 1335 ST3B, MT 1135 ST3B |
| 38 | 274132 | Schelle | | 1 | | MT 835 ST3B, MT 1335 ST3B, MT 1135 ST3B |
| 39 | 301481 | Schlauch | L400 | 1 | | MT 835 ST3B, MT 1335 ST3B, MT 1135 ST3B |

| Objekt | Teilenr. | Name | Characteristics | Anzahl | ersetzt die Referenz | Geräte Typ |
|--------|----------|-----------------|-----------------|--------|----------------------|---|
| 29 | 259385 | Feder | | 1 | | MT 1135 ST3B |
| 30 | 271301 | Führung | | 1 | | MT 1135 ST3B |
| 31 | 259602 | Schraube | M10 | 2 | | MT 1135 ST3B |
| 32 | 295212 | Keil | | 1 | | MT 1135 ST3B |
| 33 | 300145 | Profildichtung | | 2 | | MT 1135 ST3B |
| 34 | 295216 | Bolzen | | 2 | | MT 1135 ST3B |
| 35 | 677524 | Klammersplint | | 2 | | MT 1135 ST3B |
| 36 | 220664 | Schraube | | 2 | | MT 1135 ST3B |
| 37 | 685474 | Stopfen | | 1 | | MT 1135 ST3B |
| 38 | 206080 | Unterlegscheibe | | 2 | | MT 1135 ST3B |
| 39 | 52510602 | Rahmen | | 1 | | MT 1135 ST3B |
| 40 | 52517216 | Rahmen | | 1 | | MT 835 ST3B, MT 1335 ST3B, MT 1135 ST3B |
| 41 | 52540394 | Rahmen | | 1 | | MT 835 ST3B, MT 1335 ST3B, MT 1135 ST3B |
| 43 | 52521426 | Stopfen | | 8 | | MT 835 ST3B, MT 1335 ST3B, MT 1135 ST3B |
| 44 | 52515439 | Stopfen | | 5 | | MT 835 ST3B, MT 1335 ST3B, MT 1135 ST3B |
| 45 | 52516632 | Keil | | 1 | | MT 835 ST3B, MT 1335 ST3B, MT 1135 ST3B |
| 46 | 220664 | Schraube | | 2 | | MT 1135 ST3B |
| 47 | 295216 | Bolzen | | 2 | | MT 1135 ST3B |
| 48 | 677524 | Klammersplint | | 2 | | MT 1135 ST3B |
| 49 | 52527904 | Aufkleber | | 1 | | MT 835 ST3B, MT 1335 ST3B, MT 1135 ST3B |
| 50 | 52517770 | Flansch | | 1 | | MT 1135 ST3B |
| 51 | 198565 | Ring | | 2 | | MT 1135 ST3B |

| Objekt | Teilenr. | Name | Characteristics | Anzahl | ersetzt die Referenz | Geräte Typ |
|--------|----------|-----------------------------------|-----------------|--------|----------------------|-------------|
| 1 | 265418 | UK-Scheinwerfer vorne links | - | 1 | | MT 835 ST3B |
| 2 | 265416 | scheinwerfer | - | 1 | | MT 835 ST3B |
| 3 | 747046 | Scheinwerfer vorne links | | 1 | | MT 835 ST3B |
| 4 | 747044 | parabel | | 1 | | MT 835 ST3B |
| 5 | 265417 | UK-Scheinwerfer vorne rechts | - | 1 | | MT 835 ST3B |
| 6 | 265415 | scheinwerfer | - | 1 | | MT 835 ST3B |
| 7 | 747045 | Scheinwerfer vorne rechts | | 1 | | MT 835 ST3B |
| 8 | 747038 | parabel | | 1 | | MT 835 ST3B |
| 9 | 747043 | birne | | 2 | | MT 835 ST3B |
| 10 | 747039 | glasscheibe | | 2 | | MT 835 ST3B |
| 11 | 747042 | birne | | 2 | | MT 835 ST3B |
| 12 | 747040 | birne | | 2 | | MT 835 ST3B |
| 13 | 747041 | birne | | 2 | | MT 835 ST3B |
| 14 | 312759 | Scheinwerferhalterung vorne links | | 1 | | MT 835 ST3B |
| 15 | 202731 | Schraube | M8 | 2 | | MT 835 ST3B |
| 16 | 254177 | Mutter | M8 | 2 | | MT 835 ST3B |
| 17 | 20125 | horn | | 1 | | MT 835 ST3B |
| 18 | 298152 | Halterung | | 1 | | MT 835 ST3B |
| 19 | 268255 | Schraube | | 3 | | MT 835 ST3B |
| 20 | 260473 | Schelle | | 1 | | MT 835 ST3B |
| 21 | 281079 | Druckschalter | | 1 | | MT 835 ST3B |
| 23 | 288252 | Dehnmessstreifen | | 1 | | MT 835 ST3B |
| 24 | 290321 | Schraube | HM10 | 2 | | MT 835 ST3B |
| 26 | 291952 | Gehäuse | | 1 | | MT 835 ST3B |
| 27 | 167981 | Schraube | HM4 | 2 | | MT 835 ST3B |
| 28 | 78806 | Scheibe | M4 | 2 | | MT 835 ST3B |
| 29 | 264434 | Führung | | 1 | | MT 835 ST3B |
| 30 | 56707 | Schraube | HM14 | 1 | | MT 835 ST3B |

| Objekt | Teilenr. | Name | Characteristics | Anzahl | ersetzt die Referenz | Geräte Typ |
|--------|----------|--------------------|-----------------|--------|----------------------|-------------|
| 1 | 308503 | Haupt Kabelbaum | | 1 | | MT 835 ST3B |
| 2 | 260477 | Schelle | | 1 | | MT 835 ST3B |
| 3 | 307794 | Halter | | 1 | | MT 835 ST3B |
| 4 | 259710 | Schraube | | 1 | | MT 835 ST3B |
| 5 | 260477 | Schelle | | 2 | | MT 835 ST3B |
| 6 | 257779 | Befestigungslasche | | 1 | | MT 835 ST3B |
| 7 | 286341 | Schraube | M8 | 1 | | MT 835 ST3B |
| 8 | 260478 | Schelle | | 1 | | MT 835 ST3B |
| 9 | 748543 | Lager | | 2 | | MT 835 ST3B |
| 10 | 260473 | Schelle | | 1 | | MT 835 ST3B |
| 11 | 274184 | Schelle | | 2 | | MT 835 ST3B |
| 12 | 299230 | Schelle | | 2 | | MT 835 ST3B |
| 13 | 307665 | Gehäuse | | 1 | | MT 835 ST3B |
| 14 | 54305 | Schraube | HM6 | 2 | | MT 835 ST3B |
| 15 | 459749 | Scheibe | L6 | 2 | | MT 835 ST3B |
| 16 | 309284 | Gehäuse | | 1 | | MT 835 ST3B |
| 17 | 286971 | Kabelbaum | | 2 | | MT 835 ST3B |
| 18 | 300852 | Profildichtung | | 1 | | MT 835 ST3B |
| 19 | 282498 | Profildichtung | | 2 | | MT 835 ST3B |
| 20 | 257779 | Befestigungslasche | | 1 | | MT 835 ST3B |
| 21 | 286341 | Schraube | M8 | 1 | | MT 835 ST3B |
| 22 | 260473 | Schelle | | 1 | | MT 835 ST3B |
| 23 | 260472 | schelle | | 1 | | MT 835 ST3B |
| 24 | 259946 | Schraube | | 1 | | MT 835 ST3B |
| 25 | 286567 | Scheibe | | 1 | | MT 835 ST3B |
| 26 | 260477 | Schelle | | 1 | | MT 835 ST3B |
| 27 | 176926 | Schelle | | 1 | | MT 835 ST3B |
| 28 | 57446 | Schraube | HM8 | 1 | | MT 835 ST3B |

| Objekt | Teilenr. | Name | Characteristics | Anzahl | ersetzt die Referenz | Geräte Typ |
|--------|----------|--------------------------------------|---|--------|----------------------|---|
| 1 | 287645 | Getriebehebel | | 1 | | MT 835 ST3B, MT 1335 ST3B, MT 1135 ST3B |
| 2 | 266028 | Griff | | 1 | | MT 835 ST3B, MT 1335 ST3B, MT 1135 ST3B |
| 3 | 551255 | Kappe | | 1 | | MT 835 ST3B, MT 1335 ST3B, MT 1135 ST3B |
| 4 | 551256 | Kontaktschalter, Antriebsabschaltung | 2 contacts | 1 | | MT 835 ST3B, MT 1335 ST3B, MT 1135 ST3B |
| 5 | 551258 | Kappe | | 1 | | MT 835 ST3B, MT 1335 ST3B, MT 1135 ST3B |
| 6 | 551257 | Schraube | HCM5, HC, M 5- 8 ZN, Hc M5-8ZN | 1 | | MT 835 ST3B, MT 1335 ST3B, MT 1135 ST3B |
| 7 | 747053 | Kabelbaum | | 1 | | MT 835 ST3B, MT 1335 ST3B, MT 1135 ST3B |
| 8 | 29475 | Schraube | HM12 | 1 | | MT 835 ST3B, MT 1335 ST3B, MT 1135 ST3B |
| 9 | 42231 | Scheibe | | 1 | | MT 835 ST3B, MT 1335 ST3B, MT 1135 ST3B |
| 10 | 261997 | Federbefestigung | | 1 | | MT 835 ST3B, MT 1335 ST3B, MT 1135 ST3B |
| 11 | 220645 | Feder | | 1 | | MT 835 ST3B, MT 1335 ST3B, MT 1135 ST3B |
| 12 | 307679 | Federbefestigung | | 1 | | MT 835 ST3B, MT 1335 ST3B, MT 1135 ST3B |
| 13 | 58588 | Schraube | H M16-35-8.8-ZN8/C, H,M16- 35-8.8-ZN8/C, HM16 | 1 | 470109 | MT 835 ST3B, MT 1335 ST3B, MT 1135 ST3B |
| 14 | 194287 | Scheibe | M16 | 1 | | MT 835 ST3B, MT 1335 ST3B, MT 1135 ST3B |
| 15 | 287026 | Blasebalg | | 1 | | MT 835 ST3B, MT 1335 ST3B, MT 1135 ST3B |
| 16 | 603173 | klemmstück | | 6 | 549072, 272118 | MT 835 ST3B, MT 1335 ST3B, MT 1135 ST3B |
| 17 | 164856 | Schelle | | 3 | | MT 835 ST3B, MT 1335 ST3B, MT 1135 ST3B |

MANITOU

AX1937 - VORNACHSE DIFFERENTIAL (280289MOD)

VORNACHSE_(280289MOD)

AX 1937

POUR ESSIEU AVANT
 FÜR VORNACHSE
 PARA EJE DELANTERO
 FOR FRONT AXLE
 PER ASSALE ANTERIORE

Type : 212 / 742
 Ref : 280 289

DIFFERENTIEL ESSIEU AVANT
 VORNACHSEDIFFERENTIAL
 DIFERENCIAL EJE DELANTERO
 FRONT AXLE DIFFERENTIAL
 DIFFERENZIALE ASSALE ANTERIORE

280289mod

JUSQU'A L' ESSIEU
 BIS DER ACHSE
 HASTA EL EJE
 UP TO AXLE
 FINO PONTE

● → N°: T.ITA.756 072

A PARTIR DE L' ESSIEU
 AB DER ACHSE
 A PARTIR DEL EJE
 FROM AXLE
 A PARTIR DEL PONTE

○ → N°: T.ITA.756 073

The diagram shows an exploded view of a front axle differential assembly. The main assembly is shown in the center, with various components labeled with numbers 1 through 27. The assembly includes a central axle (3), a differential housing (15), and various gears (10, 11, 12, 13, 14) and bearings (16, 17, 18, 19, 20, 21, 22, 23). The diagram is divided into two main sections by a vertical dashed line, representing different axle configurations. The left section is for axle types 212/742 (indicated by a solid circle) and 280289 (indicated by an open circle). The right section is for axle type 280289 (indicated by an open circle). The diagram also includes two inset boxes: one showing a detailed view of the gear assembly (10, 11, 12, 13, 14) and another showing a detailed view of the axle assembly (11, 12). The diagram is titled 'DIFFERENTIEL ESSIEU AVANT' and 'VORNACHSEDIFFERENTIAL'.

26 / 01 / 15

P.A.O.illus

Printed on Fri May 24 11:16:37 UTC 2019

79

MANITOU

AX1941 - VORNACHSE TRGER (280289MOD)

VORNACHSE_(280289MOD)

AX 1941

POUR ESSIEU AVANT
FÜR VORNACHSE
PARA EJE DELANTERO
FOR FRONT AXLE
PER ASSALE ANTERIORE

Type : 212 / 742
Ref : 280 289

SUPPORT ESSIEU AVANT
VORNACHSE TRÄGER
SOPORTE EJE DELANTERO
FRONT AXLE BRACKET
SUPPORTO ASSALE ANTERIORE

280289mod

● JUSQU'A L' ESSIEU
BIS DER ACHSE
HASTA EL EJE
UP TO AXLE
FINO PONTE

→ N°: S.ITA.709 187

○ A PARTIR DE L' ESSIEU
AB DER ACHSE
A PARTIR DEL EJE
FROM AXLE
A PARTIR DEL PONTE

→ N°: S.ITA.709 188

23 / 05 / 13

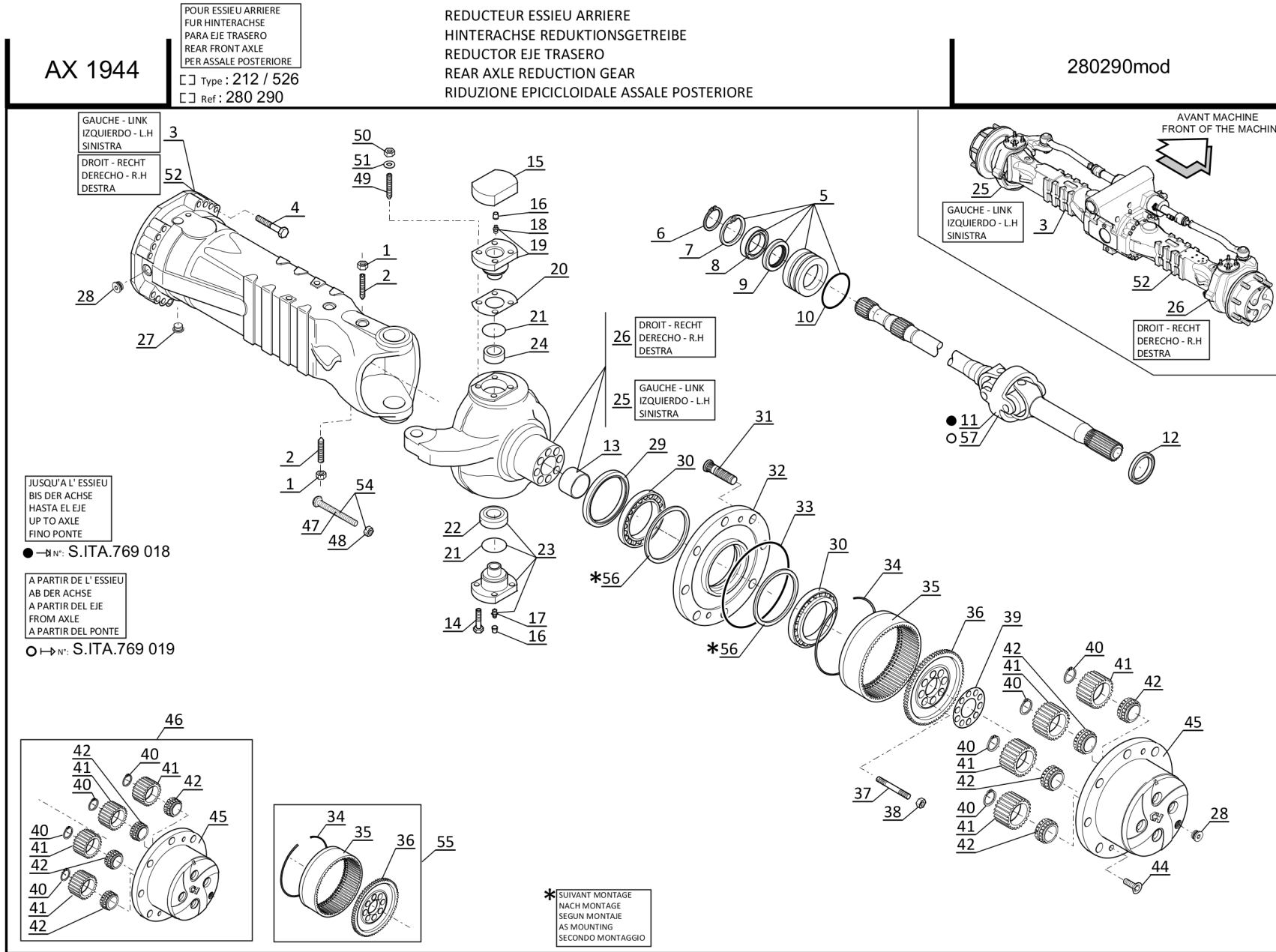
P.A.O. Illius

Printed on Fri May 24 11:16:39 UTC 2019

89

| Objekt | Teilenr. | Name | Characteristics | Anzahl | ersetzt die Referenz | Gerate Typ |
|--------|----------|----------|-----------------|--------|----------------------|------------|
| 61 | 930404 | Kupplung | | 2 | | 286649MOD |

HINTERACHSE_(280290MOD)

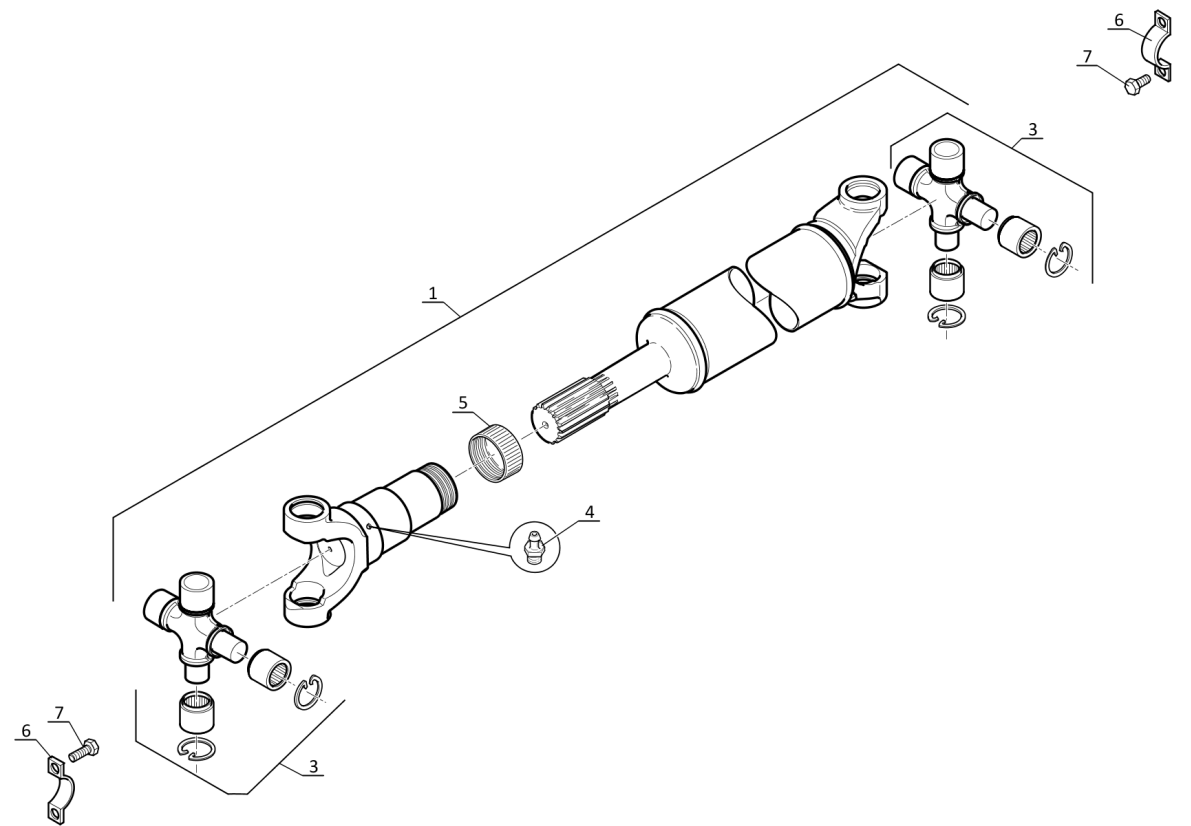


| Objekt | Teilenr. | Name | Characteristics | Anzahl | ersetzt die Referenz | Geräte Typ |
|--------|----------|----------------------------|--|--------|----------------------|--------------|
| 1 | 205349 | rohrverbindung | | 1 | | MT 1335 ST3B |
| 2 | 25002 | O-Ring | | 1 | | MT 1335 ST3B |
| 3 | 289856 | Schlauch | | 1 | | MT 1335 ST3B |
| 4 | 189956 | O-Ring | | 1 | | MT 1335 ST3B |
| 5 | 86506 | Schelle | | 1 | | MT 1335 ST3B |
| 6 | 259601 | Schraube | M8 | 1 | | MT 1335 ST3B |
| 7 | 266178 | Rohrverschraubung | | 2 | | MT 1335 ST3B |
| 8 | 177588 | O-Ring | | 1 | | MT 1335 ST3B |
| 9 | 266242 | Filter | | 1 | | MT 1335 ST3B |
| 10 | 271235 | Halbschelle | | 2 | | MT 1335 ST3B |
| 11 | 266899 | Schlauch | | 1 | | MT 1335 ST3B |
| 12 | 287548 | Adapter-Winkelstutzen | | 1 | | MT 1335 ST3B |
| 13 | 210971 | Adapter-T-Stück | | 1 | | MT 1335 ST3B |
| 14 | 283320 | Rohr | | 1 | | MT 1335 ST3B |
| 15 | 168850 | stellring | | 4 | | MT 1335 ST3B |
| 16 | 168490 | platte | | 2 | | MT 1335 ST3B |
| 17 | 54284 | Schraube | HM6 | 4 | | MT 1335 ST3B |
| 18 | 193325 | Adapter-Winkelstutzen | | 2 | | MT 1335 ST3B |
| 19 | 74362 | rohrverbindung | | 2 | | MT 1335 ST3B |
| 20 | 169552 | O-Ring | | 1 | | MT 1335 ST3B |
| 21 | 294868 | Sperrzylinder, Hinterachse | | 2 | | MT 1335 ST3B |
| 22 | 259592 | Ring | | 4 | | MT 1335 ST3B |
| 23 | 242059 | Schraube | CHc,M16-45-10.9-ZN8/C | 12 | | MT 1335 ST3B |
| 24 | 194287 | Scheibe | M16 | 12 | | MT 1335 ST3B |
| 25 | 283321 | Anschluss | | 2 | | MT 1335 ST3B |
| 26 | 168358 | Schraube | H,M14- 50-10.9-ZN8/C, H M14-50-10.9-ZN8/C | 4 | | MT 1335 ST3B |
| 27 | 194048 | Unterlegscheibe | | 4 | | MT 1335 ST3B |
| 28 | 219457 | O-Ring | | 1 | | MT 1335 ST3B |

BP 275

CARDAN DE TRANSMISSION BOITE - ESSIEU AVANT
KARDANKUPPLUNG GETRIEBEKASTEN - VORNACHSE
CARDAN DE TRANSMISION CAJA - EJE DELANTERO
CARDAN COUPLING GEAR BOX - FRONT AXLE
CARDANO DI TRASMISSIONE CAMBIO - PONTE ANTERIORE

MT 835 ST3B
MT 1135 ST3B
MT 1335 ST3B



| Objekt | Teilenr. | Name | Characteristics | Anzahl | ersetzt die Referenz | Geräte Typ |
|--------|----------|-----------------------|-----------------|--------|----------------------|--------------|
| 88 | 497922 | Adapter-Winkelstutzen | | 1 | | MT 1335 ST3B |
| 89 | 283146 | Schlauch | L980 | 1 | | MT 1335 ST3B |
| 90 | 175498 | Rohrverbindung | | 1 | | MT 1335 ST3B |
| 91 | 194896 | Rohrverschraubung | | 1 | | MT 1335 ST3B |
| 92 | 264073 | Adapteranschlussstück | | 1 | | MT 1335 ST3B |
| 93 | 261679 | Druckanschlussstelle | | 1 | | MT 1335 ST3B |
| 94 | 497922 | Adapter-Winkelstutzen | | 1 | | MT 1335 ST3B |
| 95 | 247873 | schlauch | L450, L450mm | 1 | 245401 | MT 1335 ST3B |
| 96 | 283609 | Schlauch | L1000 | 1 | | MT 1335 ST3B |
| 97 | 260790 | Profildichtung | | 1 | | MT 1335 ST3B |
| 98 | 497922 | Adapter-Winkelstutzen | | 2 | | MT 1335 ST3B |
| 99 | 197784 | Adapter-T-Stück | | 1 | | MT 1335 ST3B |
| 100 | 260463 | Rohr | | 1 | | MT 1335 ST3B |
| 101 | 214908 | Adapteranschlussstück | | 2 | | MT 1335 ST3B |
| 102 | 197784 | Adapter-T-Stück | | 1 | | MT 1335 ST3B |
| 103 | 283787 | Rohr | | 1 | | MT 1335 ST3B |
| 104 | 173004 | Halbschelle | | 6 | | MT 1335 ST3B |
| 105 | 168847 | Schutzplatte | | 3 | | MT 1335 ST3B |
| 106 | 54305 | Schraube | HM6 | 6 | | MT 1335 ST3B |
| 107 | 247872 | Schlauch | | 1 | 487227 | MT 1335 ST3B |
| 108 | 497922 | Adapter-Winkelstutzen | | 1 | | MT 1335 ST3B |
| 109 | 197784 | Adapter-T-Stück | | 1 | | MT 1335 ST3B |
| 110 | 270926 | Rohr | | 1 | | MT 1335 ST3B |
| 111 | 497922 | Adapter-Winkelstutzen | | 1 | | MT 1335 ST3B |
| 112 | 214908 | Adapteranschlussstück | | 2 | | MT 1335 ST3B |

| Objekt | Teilenr. | Name | Characteristics | Anzahl | ersetzt die Referenz | Geräte Typ |
|--------|----------|-----------------------|-----------------|--------|----------------------|-------------|
| 86 | 58528 | Mutter | M8 | 1 | | MT 835 ST3B |
| 87 | 294283 | Schraube | M8 | 1 | | MT 835 ST3B |
| 88 | 497922 | Adapter-Winkelstutzen | | 1 | | MT 835 ST3B |
| 89 | 271219 | schlauch | L1100 | 1 | | MT 835 ST3B |
| 90 | 191197 | Rohrverschraubung | | 1 | | MT 835 ST3B |
| 91 | 194896 | Rohrverschraubung | | 1 | | MT 835 ST3B |
| 92 | 264073 | Adapteranschlussstück | | 1 | | MT 835 ST3B |
| 93 | 261679 | Druckanschlussstelle | | 1 | | MT 835 ST3B |
| 94 | 497922 | Adapter-Winkelstutzen | | 1 | | MT 835 ST3B |
| 95 | 245401 | Schlauch | L450 | 1 | | MT 835 ST3B |
| 96 | 283609 | Schlauch | L1000 | 1 | | MT 835 ST3B |
| 97 | 260790 | Profildichtung | | 1 | | MT 835 ST3B |
| 98 | 497922 | Adapter-Winkelstutzen | | 2 | | MT 835 ST3B |
| 99 | 197784 | Adapter-T-Stück | | 1 | | MT 835 ST3B |
| 100 | 260463 | Rohr | | 1 | | MT 835 ST3B |
| 101 | 214908 | Adapteranschlussstück | | 2 | | MT 835 ST3B |
| 102 | 197784 | Adapter-T-Stück | | 1 | | MT 835 ST3B |
| 103 | 283787 | Rohr | | 1 | | MT 835 ST3B |
| 104 | 173004 | Halbschelle | | 6 | | MT 835 ST3B |
| 105 | 168847 | Schutzplatte | | 3 | | MT 835 ST3B |
| 106 | 54305 | Schraube | HM6 | 6 | | MT 835 ST3B |
| 107 | 487227 | Schlauch | L400 | 1 | | MT 835 ST3B |
| 108 | 497922 | Adapter-Winkelstutzen | | 1 | | MT 835 ST3B |
| 109 | 197784 | Adapter-T-Stück | | 1 | | MT 835 ST3B |
| 110 | 270926 | Rohr | | 1 | | MT 835 ST3B |
| 111 | 497922 | Adapter-Winkelstutzen | | 1 | | MT 835 ST3B |
| 112 | 214908 | Adapteranschlussstück | | 2 | | MT 835 ST3B |
| 113 | 228244 | Schraube | M6 | 2 | | MT 835 ST3B |

10 AE 1412

HYDRAULIQUE (Circuit levage)
HYDRAULIK (Aufwinden kreis)
HIDRAULICO (Circuito levantamiento)
HYDRAULIC (Lifting circuit)
IDRAULICO (Circuito sollevamento)

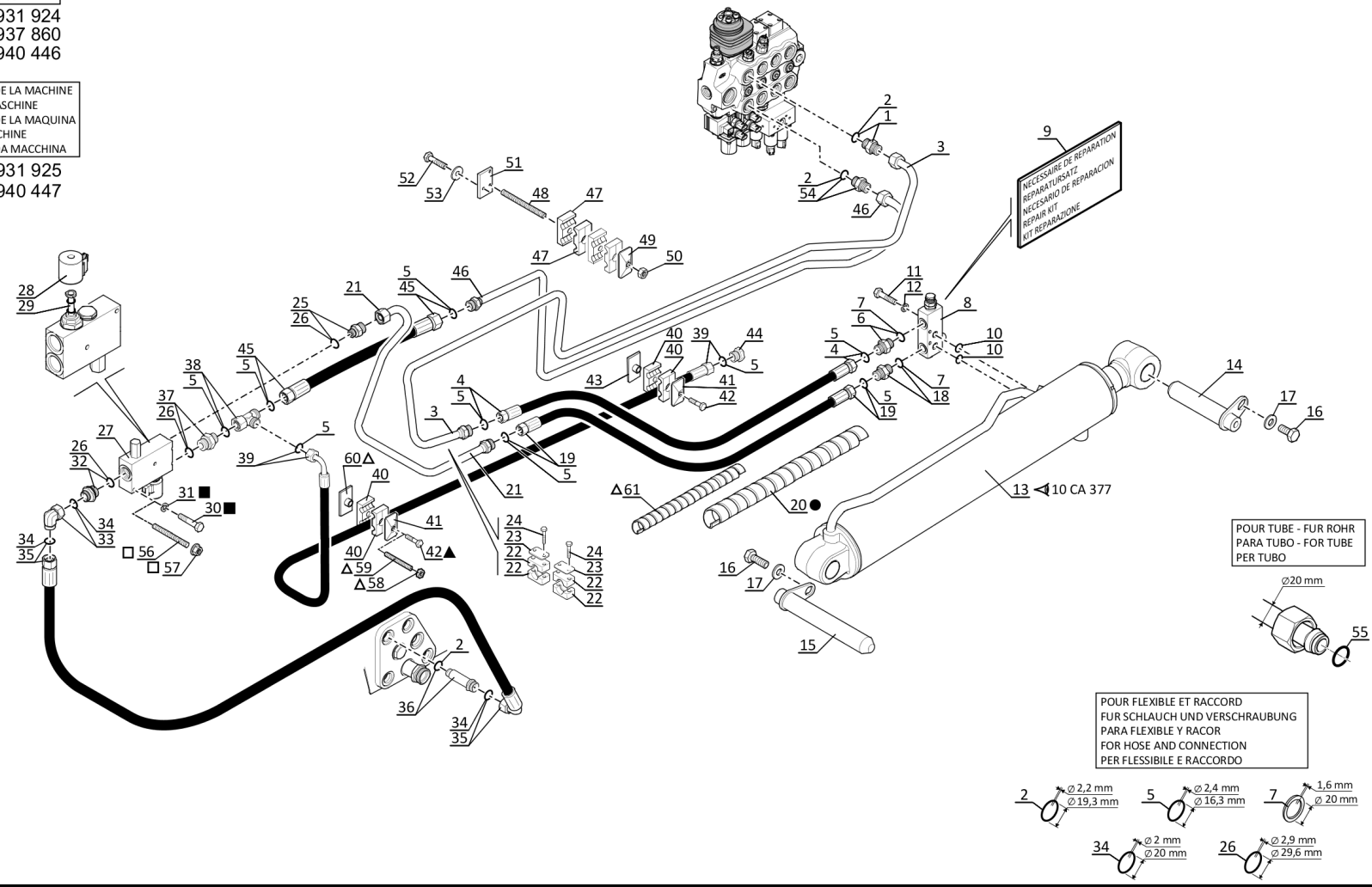
MT 835 ST3B

JUSQU'A LA MACHINE
BIS DER MASCHINE
HASTA LA MAQUINA
UP TO MACHINE
FINO LA MACCHINA

- → N°: 931 924
- → N°: 937 860
- ▲ → N°: 940 446

A PARTIR DE LA MACHINE
AB DER MASCHINE
A PARTIR DE LA MAQUINA
FROM MACHINE
A PARTIR DA MACCHINA

- → N°: 931 925
- △ → N°: 940 447



| Objekt | Teilenr. | Name | Characteristics | Anzahl | ersetzt die Referenz | Geräte Typ |
|--------|----------|-----------------------------|-----------------|--------|---|-------------|
| 1 | 307020 | Kompletter Ölbehälter | | 1 | | MT 835 ST3B |
| 2 | 260495 | Schraube | M12 | 3 | | MT 835 ST3B |
| 3 | 44026 | Unterlegscheibe | | 3 | | MT 835 ST3B |
| 4 | 279491 | Verstärkung | | 1 | | MT 835 ST3B |
| 5 | 248096 | Schraube | | 3 | | MT 835 ST3B |
| 6 | 58535 | Schraube | HM10 | 1 | | MT 835 ST3B |
| 7 | 56354 | Mutter | M10 | 1 | | MT 835 ST3B |
| 8 | 293544 | Schlauch | | 1 | | MT 835 ST3B |
| 9 | 195728 | Schelle | | 2 | | MT 835 ST3B |
| 10 | 293546 | Einfüllplatte | | 1 | | MT 835 ST3B |
| 11 | 240822 | Schraube | M6 | 2 | | MT 835 ST3B |
| 12 | 298865 | Filterverkleidung | | 1 | | MT 835 ST3B |
| 13 | 259499 | Einfüllstopfen, Hydrauliköl | | 1 | | MT 835 ST3B |
| 14 | 299514 | Halterung | | 1 | | MT 835 ST3B |
| 15 | 273436 | Schraube | | 2 | | MT 835 ST3B |
| 16 | 525769 | Schlauch | L2200 | 1 | | MT 835 ST3B |
| 17 | 31468 | schelle | | 2 | | MT 835 ST3B |
| 18 | 282833 | Schelle | | 2 | | MT 835 ST3B |
| 19 | 278288 | Entluefter | | 1 | | MT 835 ST3B |
| 20 | 206083 | Schraube | | 1 | | MT 835 ST3B |
| 21 | 180603 | Mutter | | 1 | 750482, A7204813A, 2762401MI, 603235, 485980 | MT 835 ST3B |
| 22 | 286690 | lager | | 1 | | MT 835 ST3B |
| 23 | 259602 | Schraube | M10 | 1 | | MT 835 ST3B |
| 24 | 195728 | Schelle | | 2 | | MT 835 ST3B |
| 25 | 296429 | Schlauch | | 1 | | MT 835 ST3B |
| 26 | 272170 | Brida | | 1 | | MT 835 ST3B |
| 27 | 566974 | O-Ring | | 1 | 457808 | MT 835 ST3B |

| Objekt | Teilenr. | Name | Characteristics | Anzahl | ersetzt die Referenz | Geräte Typ |
|--------|----------|-------------------------------|-----------------|--------|----------------------|--------------|
| 1 | 213535 | rohrverbindung | | 1 | | MT 1335 ST3B |
| 2 | 169372 | O-Ring | | 1 | | MT 1335 ST3B |
| 3 | 307692 | Rohr / Schlauch | L1450 | 1 | | MT 1335 ST3B |
| 4 | 190019 | O-Ring | | 1 | | MT 1335 ST3B |
| 5 | 303142 | Verlängerungrohrverschraubung | | 1 | | MT 1335 ST3B |
| 6 | 295613 | Schlauch | | 1 | | MT 1335 ST3B |
| 7 | 213535 | rohrverbindung | | 1 | | MT 1335 ST3B |
| 8 | 300829 | Halterung | | 1 | | MT 1335 ST3B |
| 9 | 259718 | Halbschelle | | 2 | | MT 1335 ST3B |
| 10 | 177119 | Schutzplatte | | 1 | | MT 1335 ST3B |
| 11 | 60483 | Schraube | HM8 | 1 | | MT 1335 ST3B |
| 12 | 74356 | Rohrverschraubung | | 1 | | MT 1335 ST3B |
| 13 | 217148 | rohrverbindung | | 1 | | MT 1335 ST3B |
| 14 | 86788 | O-Ring | | 1 | | MT 1335 ST3B |
| 15 | 184787 | Hermetische Dichtung | | 1 | | MT 1335 ST3B |
| 16 | 259523 | Rückschlagventil | | 1 | | MT 1335 ST3B |
| 17 | 200480 | Rohrverschraubung | | 1 | | MT 1335 ST3B |
| 18 | 295869 | Schlauch | L500 | 1 | | MT 1335 ST3B |
| 19 | 195932 | Adapter-T-Stück | | 1 | | MT 1335 ST3B |
| 20 | 174549 | Verlängerungrohrverschraubung | | 1 | | MT 1335 ST3B |
| 21 | 169373 | O-Ring | | 1 | | MT 1335 ST3B |
| 22 | 259708 | Hydraulikmotor | | 1 | | MT 1335 ST3B |
| 23 | 167925 | Rohrverschraubung | | 1 | | MT 1335 ST3B |
| 24 | 193325 | Adapter-Winkelstutzen | | 1 | | MT 1335 ST3B |
| 25 | 189956 | O-Ring | | 1 | | MT 1335 ST3B |
| 26 | 211723 | Schlauch | L1800 | 1 | | MT 1335 ST3B |
| 27 | 217111 | Verlängerungrohrverschraubung | | 1 | | MT 1335 ST3B |
| 28 | 259719 | Halbschelle | | 2 | | MT 1335 ST3B |

MANITOU

10AA1012 - HYDRAULIK (Hauptkreis) (647104)

_DETAIL

10 AA 1012

HYDRAULIQUE (Circuit principal)
HYDRAULIK (Hauptkreis)
HIDRAULICO (Circuito principal)
HYDRAULIC (Principal circuit)
IDRAULICO (Circuito principale)

MT 835 ST3B
MT 1135 ST3B
MT 1335 ST3B

POUR RACCORD
FÜR VERSCHRAUBUNG
PARA Y RACOR
FOR CONNECTION
PER RACCORDO

6 $\begin{matrix} \varnothing 2.9 \text{ mm} \\ \varnothing 29.6 \text{ mm} \end{matrix}$ 10 $\begin{matrix} \varnothing 2.9 \text{ mm} \\ \varnothing 23.6 \text{ mm} \end{matrix}$
8 $\begin{matrix} \varnothing 2.2 \text{ mm} \\ \varnothing 19.3 \text{ mm} \end{matrix}$

05/10/2018
647 104

Printed on Fri May 24 11:16:59 UTC 2019

189

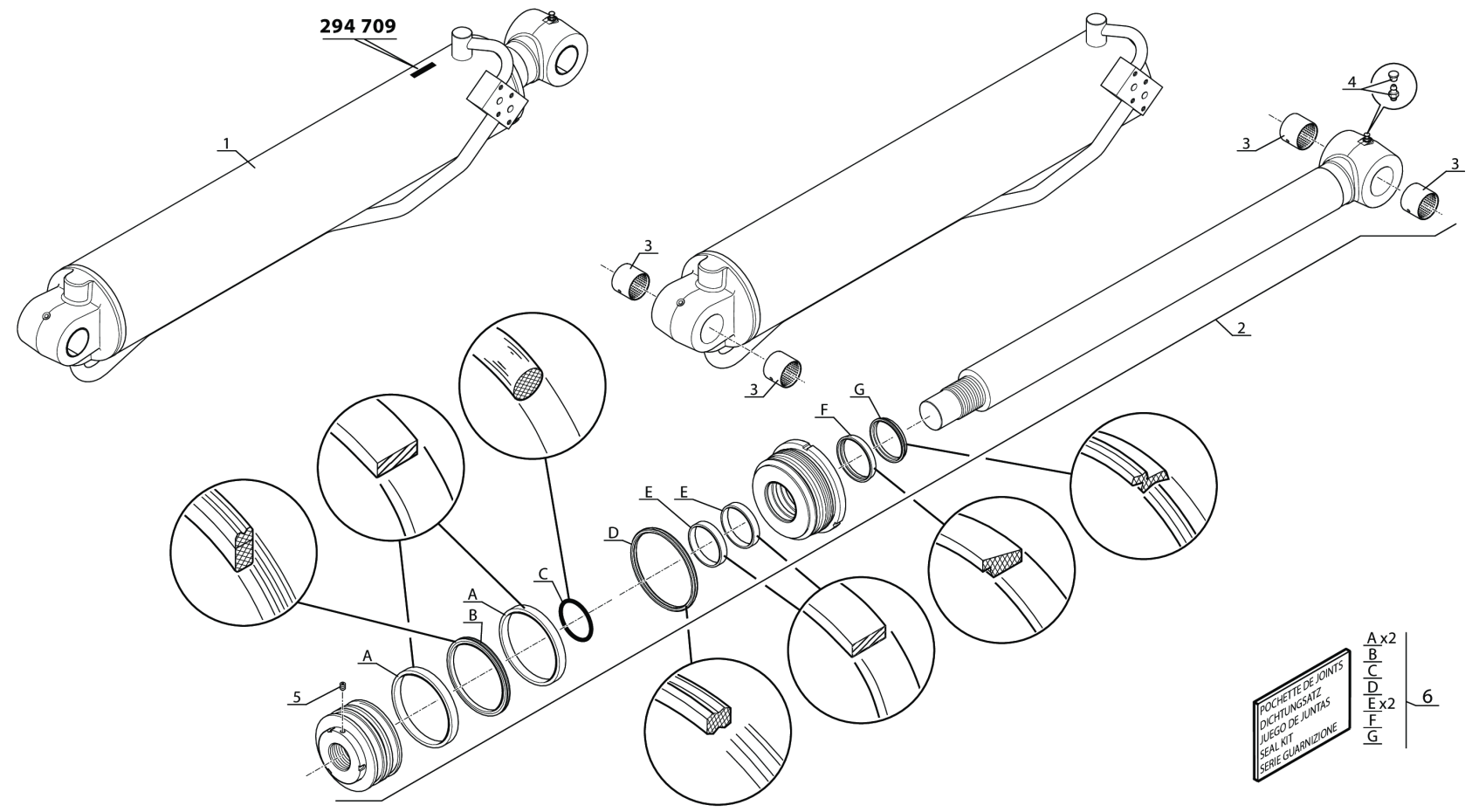
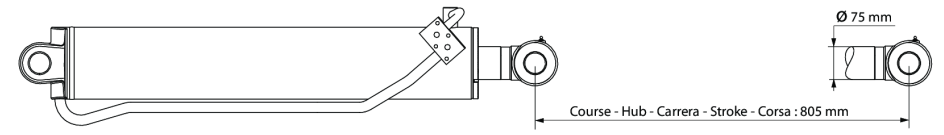
| Objekt | Teilenr. | Name | Characteristics | Anzahl | ersetzt die Referenz | Geräte Typ |
|--------|----------|-------------------------------|-----------------|--------|----------------------|--------------|
| 1 | 273854 | Schlauch des Neigungszyinders | | 1 | | MT 1335 ST3B |
| 2 | 189956 | O-Ring | | 1 | | MT 1335 ST3B |
| 3 | 193325 | Adapter-Winkelstutzen | | 2 | | MT 1335 ST3B |
| 4 | 485396 | Rohrverbindung | | 1 | | MT 1335 ST3B |
| 5 | 177638 | Hermetische Dichtung | | 1 | | MT 1335 ST3B |
| 6 | 205108 | rohrverbindung | | 1 | | MT 1335 ST3B |
| 7 | 303310 | Ausgleichsventil | | 1 | | MT 1335 ST3B |
| 8 | 781854 | Dichtungssatz | | 1 | | MT 1335 ST3B |
| 9 | 189960 | o-ring | | 2 | | MT 1335 ST3B |
| 10 | 61545 | Schraube | HM8 | 4 | | MT 1335 ST3B |
| 11 | 42325 | Scheibe | | 4 | | MT 1335 ST3B |
| 12 | 271925 | Neigungszyylinder | | 1 | | MT 1335 ST3B |
| 13 | 280962 | Gelenkbolzen | | 1 | | MT 1335 ST3B |
| 14 | 280969 | Gelenkbolzen | | 1 | | MT 1335 ST3B |
| 15 | 60360 | Schraube | HM10 | 2 | | MT 1335 ST3B |
| 16 | 45921 | Unterlegscheibe | | 2 | | MT 1335 ST3B |
| 17 | 54242 | Mutter | M8 | 2 | | MT 1335 ST3B |
| 18 | 61674 | Scheibe | M8 | 2 | | MT 1335 ST3B |
| 20 | 255713 | Schraube | M8 | 2 | | MT 1335 ST3B |
| 21 | 293593 | Halbflansch | | 1 | | MT 1335 ST3B |
| 22 | 293594 | Halbflansch | | 1 | | MT 1335 ST3B |
| 23 | 277689 | Schlauch | | 1 | | MT 1335 ST3B |
| 24 | 307362 | Rohr | | 1 | | MT 1335 ST3B |
| 25 | 268255 | Schraube | | 2 | | MT 1335 ST3B |
| 26 | 287548 | Adapter-Winkelstutzen | | 1 | | MT 1335 ST3B |
| 27 | 169124 | Rohrverschraubung | | 2 | | MT 1335 ST3B |
| 28 | 169125 | Stopfen | | 2 | | MT 1335 ST3B |
| 29 | 289990 | Distanzstück | | 1 | | MT 1335 ST3B |

| Objekt | Teilenr. | Name | Characteristics | Anzahl | ersetzt die Referenz | Geräte Typ |
|--------|----------|------------------------|-----------------|--------|---|---|
| 1 | 259532 | Komplettes Steuergerät | | 1 | | MT 835 ST3B, MT 1335 ST3B, MT 1135 ST3B |
| 2 | 746000 | Rückfederantrieb | | 1 | | MT 835 ST3B, MT 1335 ST3B, MT 1135 ST3B |
| 3 | 135891 | "O" ring | | 2 | G1475648, 2742040MI, 87070, 474708, 448751, 2680204MI | MT 835 ST3B, MT 1335 ST3B, MT 1135 ST3B |
| 4 | 564307 | stopfen | | 1 | | MT 835 ST3B, MT 1335 ST3B, MT 1135 ST3B |
| 5 | 746001 | Stopfen | | 1 | | MT 835 ST3B, MT 1335 ST3B, MT 1135 ST3B |
| 6 | 474706 | steuerung | | 1 | | MT 835 ST3B, MT 1335 ST3B, MT 1135 ST3B |
| 7 | 182024 | Schraube | | 2 | | MT 835 ST3B, MT 1335 ST3B, MT 1135 ST3B |
| 8 | 746191 | Dichtungssatz | | 1 | | MT 1335 ST3B, MT 1135 ST3B |
| 8 | 746191 | Dichtungssatz | | 0 | | MT 835 ST3B |

10 CA 377

HYDRAULIQUE (Vérin de levage)
HYDRAULIK (Aufwinden zylinder)
HIDRAULICO (Cilindro de levantamiento)
HYDRAULIC (Lifting cylinder)
IDRAULICO (Cilindro di sollevamento)

MT 835 H ST3B



| | |
|---|----|
| A | x2 |
| B | |
| C | |
| D | |
| E | x2 |
| F | |
| G | |
| 6 | |

POCHETTE DE JOINTS
DICHTUNGSATZ
JUEGO DE JUNTAS
SEAL KIT
SERIE GUARNIZIONE

P.A.O. illus

20 / 06 / 12

CLICK HERE TO **DOWNLOAD** THE COMPLETE MANUAL

- Thank you very much for reading the preview of the manual.
- You can download the complete manual from: www.heydownloads.com by clicking the link below



- Please note: If there is no response to CLICKING the link, please download this PDF first and then click on it.

CLICK HERE TO **DOWNLOAD** THE COMPLETE MANUAL

MANITOU

5BA301 - SCHWIMMEND GABELTRGER (647104)

TELESKOP

5 BA 301

TABLIER A FOURCHES FLOTTANTES
SCHWIMMEND GABELTRÄGER
TABLERO A HORQUILLAS FLOTANTES
FLOATING FORKS CARRIERS
PORTAFORCHE FLOTTANTE
(654093 - 654094)

MT 835 H ST3B
MT 1135 H ST3B
MT 1335 H ST3B

P.A.O.illus

19 / 05 / 03

Printed on Fri May 24 11:17:10 UTC 2019

229

| Objekt | Teilennr. | Name | Characteristics | Anzahl | ersetzt die Referenz | Geräte Typ |
|--------|-----------|----------------------|-----------------|--------|------------------------------------|---|
| 21 | 63727 | Schraube | | 1 | | MT 1740 SL TURBO S3 E3, MT-X 1740 SL TURBO S3 E3, MT-X 1235 S TURBO S3 E3, MT-X 1440 SL TURBO S4 E3 |
| 22 | 29437 | Scheibe | M10 | 1 | | MT 1740 SL TURBO S3 E3, MT-X 1740 SL TURBO S3 E3, MT-X 1235 S TURBO S3 E3, MT-X 1440 SL TURBO S4 E3 |
| 23 | 232371 | Schraube | HM8 | 1 | | MT 1740 SL TURBO S3 E3, MT-X 1740 SL TURBO S3 E3, MT-X 1235 S TURBO S3 E3, MT-X 1440 SL TURBO S4 E3 |
| 24 | 29468 | Scheibe | L8 | 1 | | MT 1740 SL TURBO S3 E3, MT-X 1740 SL TURBO S3 E3, MT-X 1235 S TURBO S3 E3, MT-X 1440 SL TURBO S4 E3 |
| 25 | 265563 | Abstandstück | | 1 | | MT 1740 SL TURBO S3 E3, MT-X 1740 SL TURBO S3 E3, MT-X 1235 S TURBO S3 E3, MT-X 1440 SL TURBO S4 E3 |
| 26 | 54242 | Mutter | M8 | 1 | | MT 1740 SL TURBO S3 E3, MT-X 1740 SL TURBO S3 E3, MT-X 1235 S TURBO S3 E3, MT-X 1440 SL TURBO S4 E3 |
| 27 | 29468 | Scheibe | L8 | 1 | | MT 1740 SL TURBO S3 E3, MT-X 1740 SL TURBO S3 E3, MT-X 1235 S TURBO S3 E3, MT-X 1440 SL TURBO S4 E3 |
| 28 | 702974 | Lichtmaschinenriemen | type : AX/X13 | 1 | | MT 1740 SL TURBO S3 E3, MT-X 1740 SL TURBO S3 E3, MT-X 1235 S TURBO S3 E3, MT-X 1440 SL TURBO S4 E3 |
| 30 | 242774 | sonde | | 1 | | MT 1740 SL TURBO S3 E3, MT-X 1740 SL TURBO S3 E3, MT-X 1235 S TURBO S3 E3, MT-X 1440 SL TURBO S4 E3 |
| 31 | 551921 | Rohr | | 1 | 563272, P4126X127, P4126X104 | MT 1740 SL TURBO S3 E3, MT-X 1740 SL TURBO S3 E3, MT-X 1235 S TURBO S3 E3, MT-X 1440 SL TURBO S4 E3 |
| 32 | 474059 | mutter | | 1 | | MT 1740 SL TURBO S3 E3, MT-X 1740 SL TURBO S3 E3, MT-X 1235 S TURBO S3 E3, MT-X 1440 SL TURBO S4 E3 |
| 33 | 474060 | Tülle | | 1 | | MT 1740 SL TURBO S3 E3, MT-X 1740 SL TURBO S3 E3, MT-X 1235 S TURBO S3 E3, MT-X 1440 SL TURBO S4 E3 |
| 34 | 563273 | oelmess-stab. | | 1 | | MT 1740 SL TURBO S3 E3, MT-X 1740 SL TURBO S3 E3, MT-X 1235 S TURBO S3 E3, MT-X 1440 SL TURBO S4 E3 |
| 35 | 552727 | Schraube | | 1 | | MT 1740 SL TURBO S3 E3, MT-X 1740 SL TURBO S3 E3, MT-X 1235 S TURBO S3 E3, MT-X 1440 SL TURBO S4 E3 |
| 36 | 552738 | schelle | | 1 | | MT 1740 SL TURBO S3 E3, MT-X 1740 SL TURBO S3 E3, MT-X 1235 S TURBO S3 E3, MT-X 1440 SL TURBO S4 E3 |
| 37 | 254177 | Mutter | M8 | 1 | | MT 1740 SL TURBO S3 E3, MT-X 1740 SL TURBO S3 E3, MT-X 1235 S TURBO S3 E3, MT-X 1440 SL TURBO S4 E3 |
| 38 | 706994 | buegel | | 1 | | MT 1740 SL TURBO S3 E3, MT-X 1740 SL TURBO S3 E3, MT-X 1235 S TURBO S3 E3, MT-X 1440 SL TURBO S4 E3 |
| 39 | 552894 | Schraube | HM6 | 1 | | MT 1740 SL TURBO S3 E3, MT-X 1740 SL TURBO S3 E3, MT-X 1235 S TURBO S3 E3, MT-X 1440 SL TURBO S4 E3 |
| 40 | 474068 | Mutter | | 1 | | MT 1740 SL TURBO S3 E3, MT-X 1740 SL TURBO S3 E3, MT-X 1235 S TURBO S3 E3, MT-X 1440 SL TURBO S4 E3 |

MOTOR_(306352MOD)_(-->| 931478)

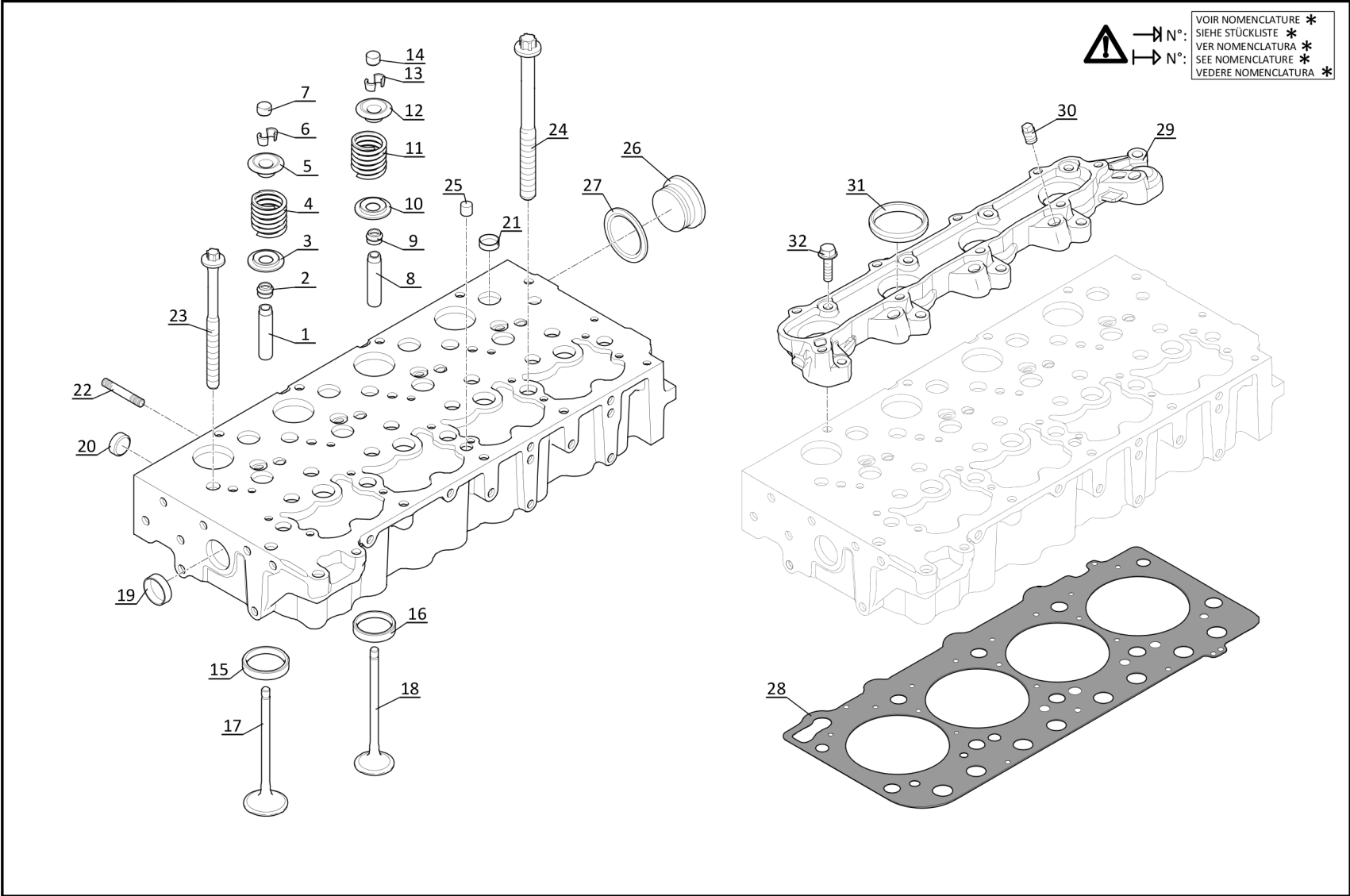
AP 3111

POUR MOTEUR
FÜR MOTOR
PARA MOTOR
FOR ENGINE
PER MOTORE

Type: JR 51746 . . . X
Ref: 306 352

CULASSE
ZYLINDERKOPF
CULATA
CYLINDER HEAD
TESTATA

306352mod



→ N°: *
→ N°: *
VOIR NOMENCLATURE *
SIEHE STÜCKLISTE *
VER NOMENCLATURA *
SEE NOMENCLATURE *
VEDERE NOMENCLATURA *

P.A.O. illius

03 / 03 / 14

MOTOR_(306352MOD)_(-->| 931478)

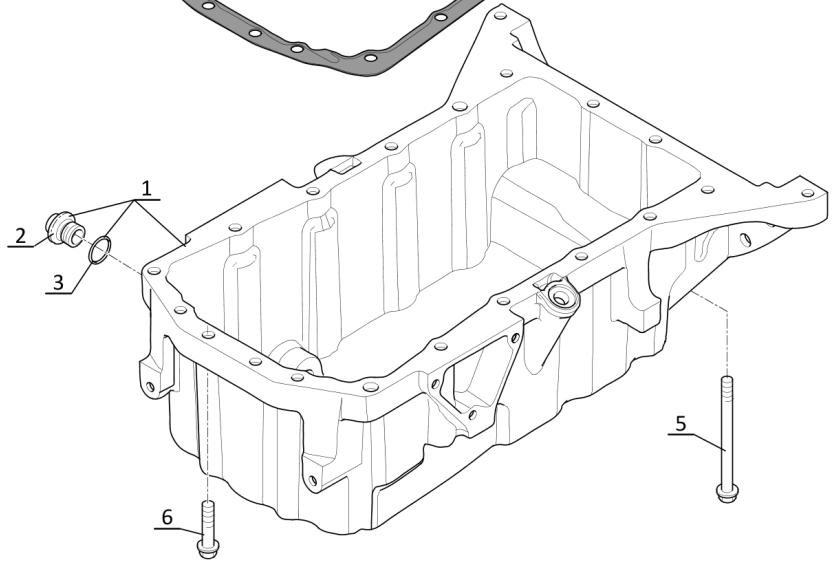
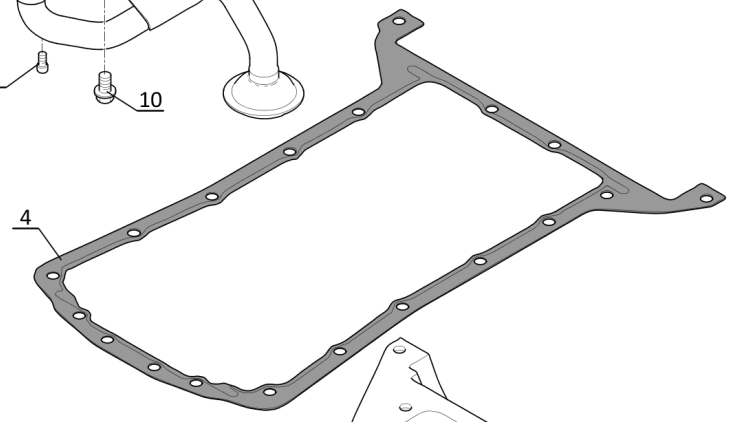
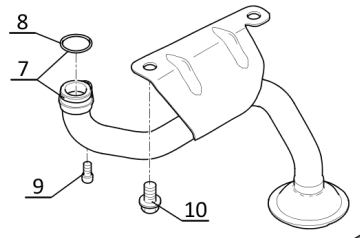
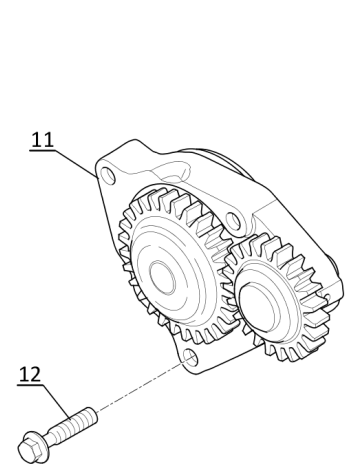
AP 3115

POUR MOTEUR
FÜR MOTOR
PARA MOTOR
FOR ENGINE
PER MOTORE

Type : JR 51746 . . . X
Ref: 306 352

CARTER D' HUILE - POMPE A HUILE
OLWANNE - SCHMIEROLPUMPE
CARTER DE ACEITE - BOMBA DE ACEITE
OIL SUMP - LUBRICATING OIL PUMP
COPPA OLIO - POMPA LUBRIFICAZIONE

306352mod



→ N°:
→ N°:

VOIR NOMENCLATURE *
SIEHE STÜCKLISTE *
VER NOMENCLATURA *
SEE NOMENCLATURE *
VEDERE NOMENCLATURA *

P.A.O. illius

03 / 03 / 14

MOTOR_(306352MOD)_(-->| 931478)

AP 3120

POUR MOTEUR
FÜR MOTOR
PARA MOTOR
FOR ENGINE
PER MOTORE

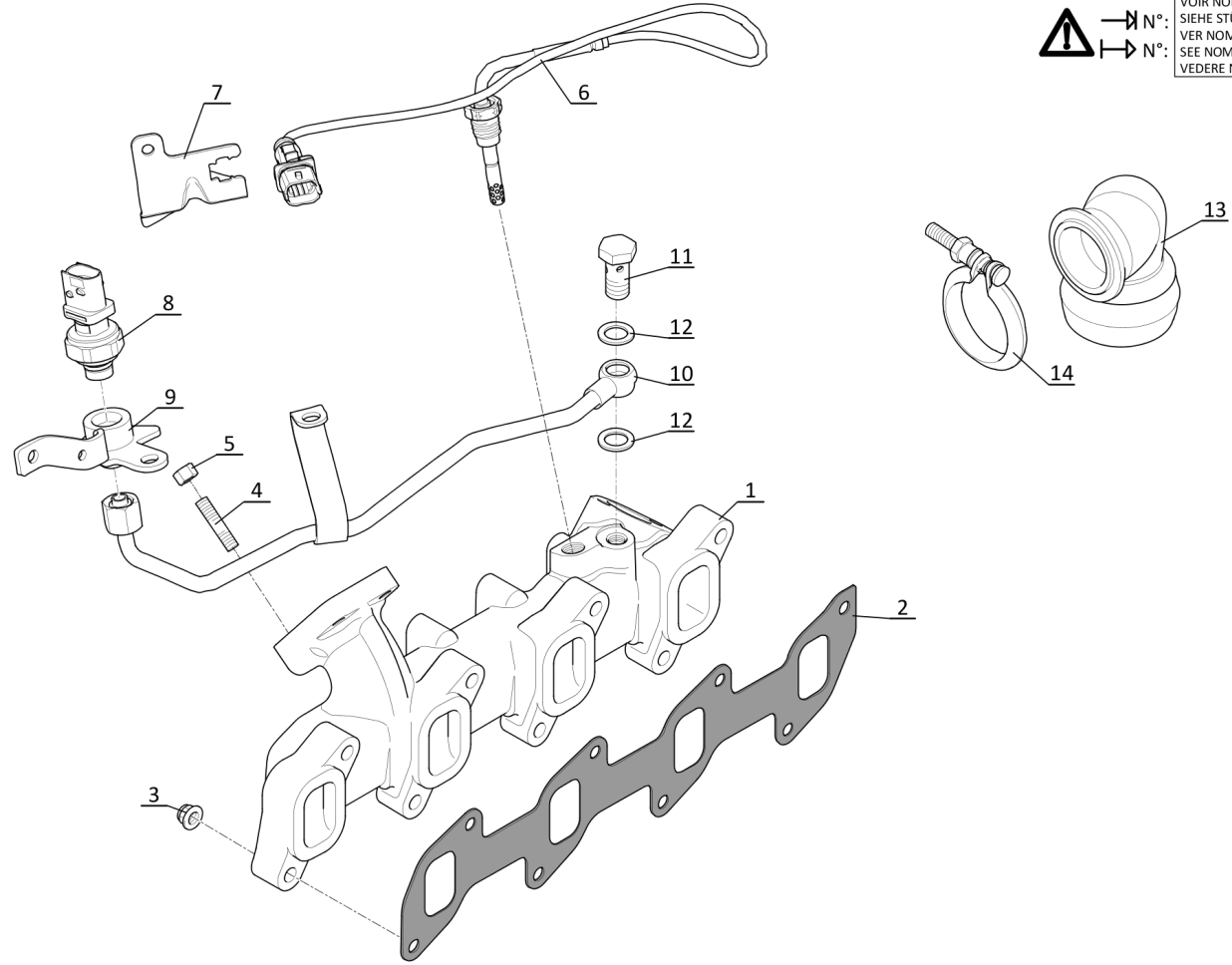
Type : JR 51746 . . . X
Ref : 306 352

COLLECTEUR D' ECHAPPEMENT
AUSPUFFSAMMELROHR
COLECTOR DE ESCAPE
EXHAUST MANIFOLD
COLLETTORE DI SCARICO

306352mod



→ N°: *
→ N°: *
→ N°: *
→ N°: *



P.A.C. illius

03 / 03 / 14

MANITOU

AP3125 - SCHWUNGRAD (306352MOD)

MOTOR_(306352MOD)_(-->| 931478)

AP 3125

POUR MOTEUR
FÜR MOTOR
PARA MOTOR
FOR ENGINE
PER MOTORE

Type : JR 51746 . . . X
Ref: 306 352

VOLANT-MOTEUR
SCHWUNGRAD
VOLANTE-MOTOR
FLYWHEEL
VOLANO MOTORE

306352mod

→ N°: VOIR NOMENCLATURE *
→ N°: SIEHE STÜCKLISTE *
→ N°: VER NOMENCLATURA *
→ N°: SEE NOMENCLATURE *
→ N°: VEDERE NOMENCLATURA *

P.A.O. illius

20 / 04 / 15

Printed on Fri May 24 11:17:25 UTC 2019

279

| Objekt | Teilenr. | Name | Characteristics | Anzahl | ersetzt die Referenz | Gerate Typ |
|--------|----------|--------------------------------|-----------------|--------|----------------------|------------|
| 0 | 306352 | Kompletter Motor | | 1 | | 306352MOD |
| 1 | 300146 | Motorsteuerungsmodul - Rechner | | 1 | | 306352MOD |
| 2 | 797632 | Halter | | 1 | | 306352MOD |
| 3 | 797633 | Schraube | | 1 | | 306352MOD |
| 4 | 552894 | Schraube | HM6 | 2 | | 306352MOD |

MANITOU

AP3366 - KOLBEN, PLEUELSTANGE UND KURBELWELLE (319076MOD)

MOTOR_(319076MOD)_(|--> 931479)

AP 3366

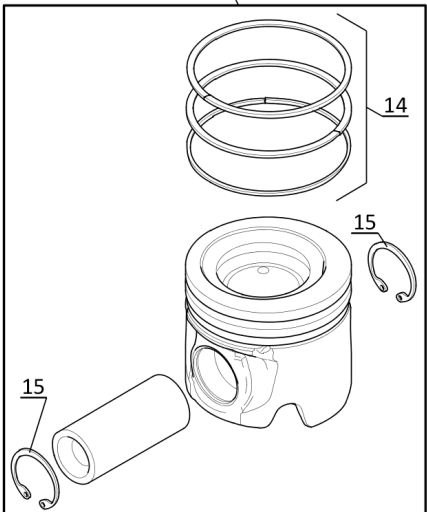
POUR MOTEUR
FÜR MOTOR
PARA MOTOR
FOR ENGINE
PER MOTORE

☐ Type: JR 51746 . . . Y
☐ Ref: 319 076

PISTONS - BIELLES - VILEBREQUIN
KOLBEN - PLEUELSTANGE - KURBELWELLE
PISTONES - BIELAS - CIGUENAL
PISTONS - CONNECTING RODS - CRANK SHAFT
PISTONI - BIELLE - ALBERO A MANOVELLA

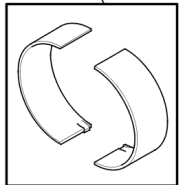
319076mod

13

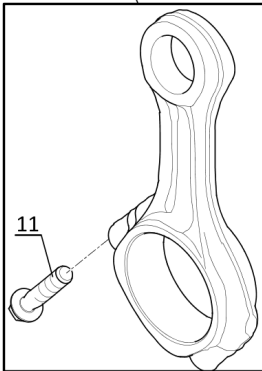


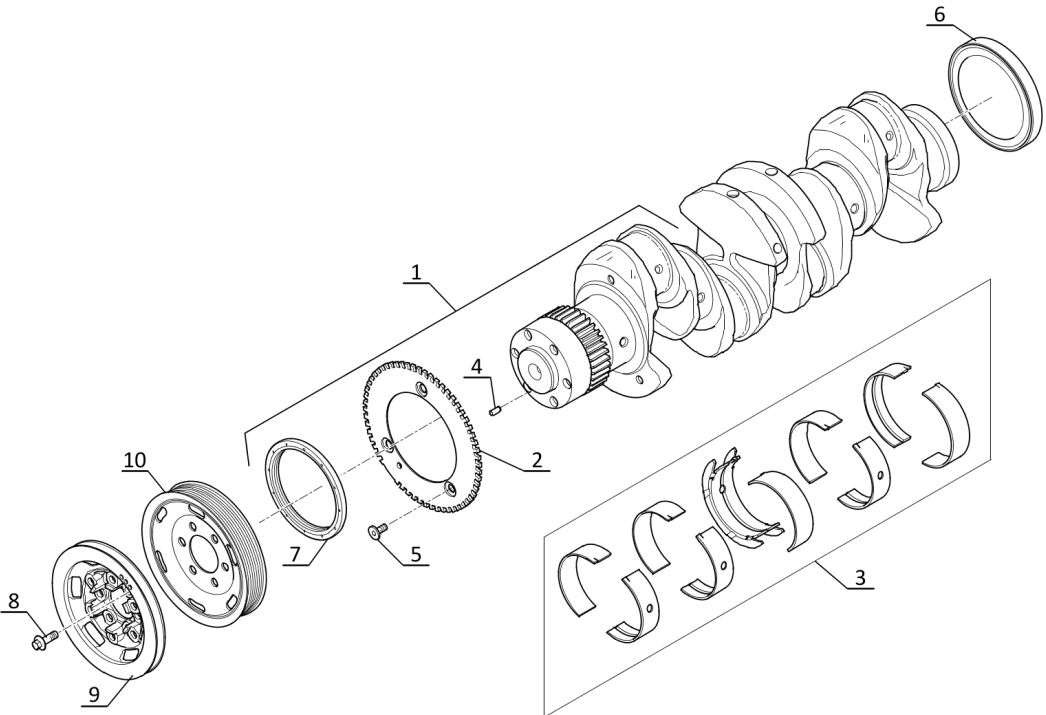
⚠ → N°: VOIR NOMENCLATURE *
→ N°: SIEHE STÜCKLISTE *
→ N°: VER NOMENCLATURA *
→ N°: SEE NOMENCLATURE *
→ N°: VEDERE NOMENCLATURA *

16



12





P.A.O. illius

05 / 03 / 14

Printed on Fri May 24 11:17:34 UTC 2019

299

| Objekt | Teilenr. | Name | Characteristics | Anzahl | ersetzt die Referenz | Geräte Typ |
|--------|----------|------------------|-----------------|--------|----------------------|------------|
| 0 | 319076 | Kompletter Motor | | 1 | | 319076MOD |
| 1 | 895915 | Sensor | | 1 | | 319076MOD |
| 2 | 797625 | O-Ring | | 1 | | 319076MOD |
| 3 | 797623 | Schraube | | 1 | | 319076MOD |
| 4 | 748970 | Einfüllrohr | | 1 | | 319076MOD |
| 5 | 748832 | O-Ring | | 1 | | 319076MOD |
| 6 | 564172 | Stopfen | | 1 | | 319076MOD |
| 7 | 550575 | Dichtung | | 1 | | 319076MOD |
| 8 | 797636 | Schraube | | 1 | | 319076MOD |
| 9 | 476018 | Schraube | 8x60, HM8 | 1 | | 319076MOD |
| 10 | 797615 | Verteilergehäuse | | 1 | | 319076MOD |
| 11 | 797682 | Schmiernippel | | 1 | | 319076MOD |
| 12 | 797683 | Stift | | 1 | | 319076MOD |
| 13 | 797684 | Stopfen | | 1 | | 319076MOD |
| 14 | 797687 | Stift | | 3 | | 319076MOD |
| 15 | 797636 | Schraube | | 1 | | 319076MOD |
| 16 | 474028 | Schraube | HM8 | 1 | | 319076MOD |
| 17 | 797688 | Schraube | | 7 | | 319076MOD |
| 18 | 797591 | Bolzen | | 2 | | 319076MOD |
| 19 | 797689 | Schraube | | 3 | | 319076MOD |
| 20 | 473951 | Schraube | HM8, 8x35 | 2 | | 319076MOD |
| 21 | 473951 | Schraube | HM8, 8x35 | 12 | | 319076MOD |
| 22 | 797636 | Schraube | | 3 | | 319076MOD |
| 23 | 797690 | Stift | | 3 | | 319076MOD |
| 24 | 476018 | Schraube | 8x60, HM8 | 1 | | 319076MOD |
| 25 | 797691 | Schraube | | 2 | | 319076MOD |
| 26 | 797320 | Dichtung | | 1 | | 319076MOD |
| 27 | 797685 | Steuergehäuse | | 1 | | 319076MOD |

MOTOR_(319076MOD)_(|--> 931479)

AP 3375

POUR MOTEUR
FÜR MOTOR
PARA MOTOR
FOR ENGINE
PER MOTORE

□ Type : JR 51746 . . . Y
□ Ref : 319 076

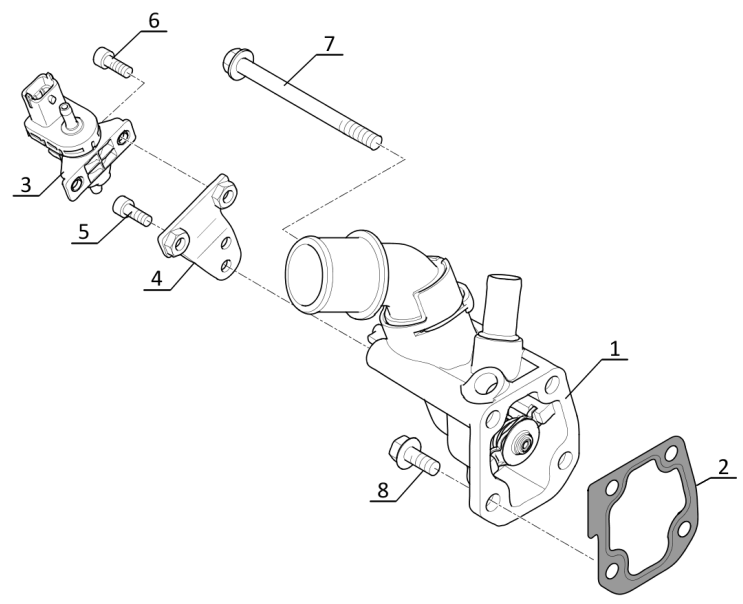
THERMOSTAT
THERMOSTAT
TERMOSTATO
THERMOSTAT
THERMOSTATO

319076mod



→ N°:
→ N°:

VOIR NOMENCLATURE *
SIEHE STÜCKLISTE *
VER NOMENCLATURA *
SEE NOMENCLATURE *
VEDERE NOMENCLATURA *



P.A.O. illius

05 / 03 / 14

MOTOR_(319076MOD)_(|--> 931479)

AP 3380

POUR MOTEUR
FÜR MOTOR
PARA MOTOR
FOR ENGINE
PER MOTORE

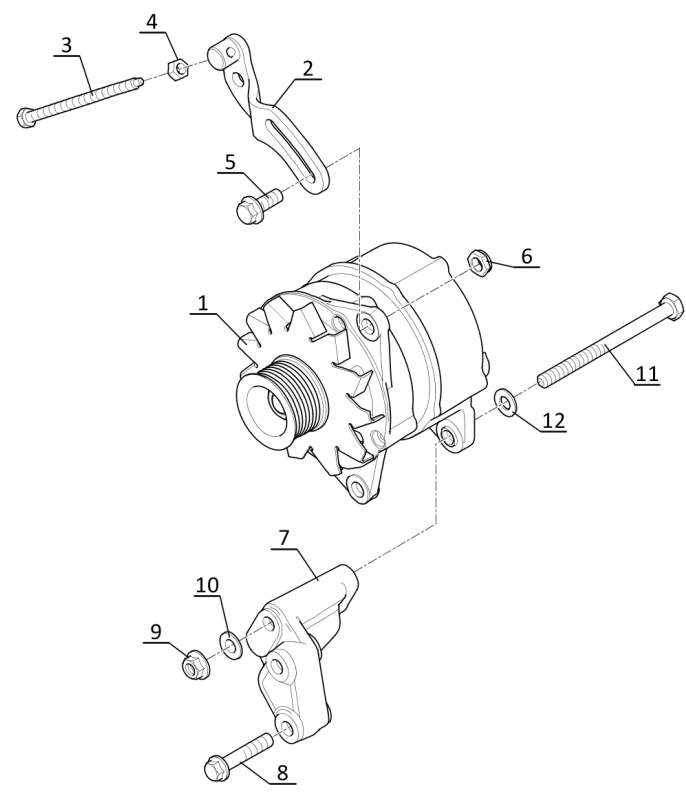
Type: JR 51746 . . . Y
Ref: 319 076

ALTERNATEUR
WECHSELSTROMGENERATOR
ALTERNADOR
ALTERNATOR
ALTERNATORE

319076mod



→ N°: VOIR NOMENCLATURE *
→ N°: SIEHE STÜCKLISTE *
→ N°: VER NOMENCLATURA *
→ N°: SEE NOMENCLATURE *
→ N°: VEDERE NOMENCLATURA *



P.A.O. illius

05 / 03 / 14

| Objekt | Teilenr. | Name | Characteristics | Anzahl | ersetzt die Referenz | Geräte Typ |
|--------|----------|------------------|-----------------|--------|--|------------|
| 0 | 319076 | Kompletter Motor | | 1 | | 319076MOD |
| 1 | 797709 | Wärmetauscher | | 1 | | 319076MOD |
| 2 | 959040 | Ventil | | 1 | 947567 | 319076MOD |
| 3 | 797711 | Schelle | | 1 | | 319076MOD |
| 4 | 797327 | Flachdichtung | | 1 | | 319076MOD |
| 5 | 506078 | Bundmutter | | 2 | 473939, 554599, 475444, 801797602471, 552957, 9017908067 | 319076MOD |
| 6 | 775836 | Schraube | | 3 | | 319076MOD |
| 7 | 947829 | Schlauch | | 1 | 797712 | 319076MOD |
| 8 | 797327 | Flachdichtung | | 1 | | 319076MOD |
| 9 | 797636 | Schraube | | 2 | | 319076MOD |
| 10 | 797327 | Flachdichtung | | 1 | | 319076MOD |
| 11 | 797633 | Schraube | | 2 | | 319076MOD |
| 12 | 797713 | Rohr | | 1 | | 319076MOD |
| 13 | 797344 | O-Ring | | 2 | | 319076MOD |
| 14 | 797345 | O-Ring | | 1 | | 319076MOD |
| 15 | 797714 | Klammer | | 2 | | 319076MOD |
| 16 | 797673 | Schraube | | 1 | | 319076MOD |
| 17 | 797715 | Schraube | | 2 | | 319076MOD |
| 18 | 552727 | Schraube | | 1 | | 319076MOD |
| 19 | 797716 | Rohr | | 1 | | 319076MOD |
| 20 | 797344 | O-Ring | | 1 | | 319076MOD |
| 21 | 797714 | Klammer | | 2 | | 319076MOD |
| 22 | 797673 | Schraube | | 1 | | 319076MOD |
| 23 | 797717 | Rohr | | 1 | | 319076MOD |
| 24 | 797714 | Klammer | | 4 | | 319076MOD |

| Objekt | Teilenr. | Name | Characteristics | Anzahl | ersetzt die Referenz | Geräte Typ |
|--------|----------|---------------|-----------------|--------|----------------------|--------------|
| 1 | 281156 | Sensor | | 1 | | MT 1335 ST3B |
| 2 | 277686 | Sensor träger | | 1 | | MT 1335 ST3B |
| 3 | 278713 | Schraube | M6 | 2 | | MT 1335 ST3B |
| 4 | 277687 | Gehäuse | | 1 | | MT 1335 ST3B |
| 5 | 278713 | Schraube | M6 | 2 | | MT 1335 ST3B |
| 6 | 299626 | Abdeckung | | 1 | | MT 1335 ST3B |
| 7 | 278713 | Schraube | M6 | 2 | | MT 1335 ST3B |
| 8 | 283919 | Draht | | 1 | | MT 1335 ST3B |
| 9 | 260475 | Schelle | | 1 | | MT 1335 ST3B |
| 10 | 272654 | Halterung | | 1 | | MT 1335 ST3B |
| 11 | 57446 | Schraube | HM8 | 2 | | MT 1335 ST3B |
| 12 | 61674 | Scheibe | M8 | 2 | | MT 1335 ST3B |
| 13 | 260635 | Potentiometer | | 1 | | MT 1335 ST3B |
| 14 | 188736 | Schraube | | 2 | | MT 1335 ST3B |
| 15 | 261441 | Pleuel | | 1 | | MT 1335 ST3B |
| 16 | 484702 | schraube | | 1 | | MT 1335 ST3B |
| 17 | 485980 | Mutter | | 1 | | MT 1335 ST3B |
| 18 | 272656 | Stange | | 1 | | MT 1335 ST3B |
| 19 | 459749 | Scheibe | L6 | 2 | | MT 1335 ST3B |
| 20 | 63035 | Splint | | 1 | | MT 1335 ST3B |
| 21 | 283794 | Ring | | 1 | | MT 1335 ST3B |
| 22 | 283789 | Scheibe | | 1 | | MT 1335 ST3B |
| 24 | 459749 | Scheibe | L6 | 1 | | MT 1335 ST3B |
| 25 | 289370 | Halterung | | 1 | | MT 1335 ST3B |
| 26 | 286341 | Schraube | M8 | 1 | | MT 1335 ST3B |
| 27 | 282517 | Halterung | | 1 | | MT 1335 ST3B |
| 28 | 278713 | Schraube | M6 | 2 | | MT 1335 ST3B |
| 29 | 299624 | Halterung | | 1 | | MT 1335 ST3B |

| Objekt | Teilnr. | Name | Characteristics | Anzahl | ersetzt die Referenz | Geräte Typ |
|--------|---------|-------------------|-----------------|--------|----------------------|---|
| 1 | 296465 | Schelle | | 1 | | MT 835 ST3B, MT 1335 ST3B, MT 1135 ST3B |
| 2 | 297124 | Leitung | | 1 | | MT 835 ST3B, MT 1335 ST3B, MT 1135 ST3B |
| 3 | 296467 | Schelle | | 1 | | MT 835 ST3B, MT 1335 ST3B, MT 1135 ST3B |
| 4 | 308847 | Filter träger | | 1 | | MT 835 ST3B, MT 1335 ST3B, MT 1135 ST3B |
| 5 | 273225 | Schraube | M12 | 4 | | MT 835 ST3B, MT 1335 ST3B, MT 1135 ST3B |
| 6 | 273170 | abstandstuck | | 4 | | MT 835 ST3B, MT 1335 ST3B, MT 1135 ST3B |
| 7 | 260473 | Schelle | | 1 | | MT 835 ST3B, MT 1335 ST3B, MT 1135 ST3B |
| 8 | 273112 | Schraube | | 4 | | MT 835 ST3B, MT 1335 ST3B, MT 1135 ST3B |
| 9 | 29437 | Scheibe | M10 | 4 | | MT 835 ST3B, MT 1335 ST3B, MT 1135 ST3B |
| 10 | 55714 | Mutter | M10 | 4 | | MT 835 ST3B, MT 1335 ST3B, MT 1135 ST3B |
| 11 | 299703 | Schelle | | 1 | | MT 835 ST3B, MT 1335 ST3B, MT 1135 ST3B |
| 12 | 300084 | Leitung | | 1 | | MT 835 ST3B, MT 1335 ST3B, MT 1135 ST3B |
| 13 | 306969 | Halter | | 1 | | MT 835 ST3B, MT 1335 ST3B, MT 1135 ST3B |
| 14 | 299298 | abstandstuck | | 1 | | MT 835 ST3B, MT 1335 ST3B, MT 1135 ST3B |
| 15 | 259601 | Schraube | M8 | 3 | | MT 835 ST3B, MT 1335 ST3B, MT 1135 ST3B |
| 16 | 300085 | Abgasrohr | | 1 | | MT 835 ST3B, MT 1335 ST3B, MT 1135 ST3B |
| 17 | 264380 | Schraube | M8 | 4 | | MT 835 ST3B, MT 1335 ST3B, MT 1135 ST3B |
| 18 | 54242 | Mutter | M8 | 4 | | MT 835 ST3B, MT 1335 ST3B, MT 1135 ST3B |
| 19 | 295838 | Rubpartikelfilter | | 1 | | MT 835 ST3B, MT 1335 ST3B, MT 1135 ST3B |
| 20 | 295860 | Sensor | | 1 | | MT 835 ST3B, MT 1335 ST3B, MT 1135 ST3B |
| 21 | 267870 | schraube | M6 | 1 | | MT 835 ST3B, MT 1335 ST3B, MT 1135 ST3B |
| 22 | 29469 | Scheibe | M6 | 1 | | MT 835 ST3B, MT 1335 ST3B, MT 1135 ST3B |
| 23 | 162229 | Mutter | M6 | 1 | | MT 835 ST3B, MT 1335 ST3B, MT 1135 ST3B |
| 24 | 479218 | Schelle | | 4 | | MT 835 ST3B, MT 1335 ST3B, MT 1135 ST3B |
| 25 | 296696 | Schlauch | L230 | 1 | | MT 835 ST3B, MT 1335 ST3B, MT 1135 ST3B |
| 26 | 296512 | Rohr | | 1 | | MT 835 ST3B, MT 1335 ST3B, MT 1135 ST3B |
| 27 | 296697 | Schlauch | | 1 | | MT 835 ST3B, MT 1335 ST3B, MT 1135 ST3B |
| 28 | 296509 | Rohr | | 1 | | MT 835 ST3B, MT 1335 ST3B, MT 1135 ST3B |

| Objekt | Teilenr. | Name | Characteristics | Anzahl | ersetzt die Referenz | Geräte Typ |
|--------|----------|---------------|-----------------|--------|----------------------|---|
| 28 | 88246 | Schelle | | 1 | | MT 835 ST3B, MT 1335 ST3B, MT 1135 ST3B |
| 29 | 259601 | Schraube | M8 | 1 | | MT 835 ST3B, MT 1335 ST3B, MT 1135 ST3B |
| 30 | 305610 | Halterung | | 1 | | MT 835 ST3B, MT 1335 ST3B, MT 1135 ST3B |
| 31 | 61678 | Scheibe | L12 | 1 | | MT 835 ST3B, MT 1335 ST3B, MT 1135 ST3B |
| 32 | 63546 | Schraube | HM12 | 1 | | MT 835 ST3B, MT 1335 ST3B, MT 1135 ST3B |
| 33 | 195475 | Schelle | | 1 | | MT 835 ST3B, MT 1335 ST3B, MT 1135 ST3B |
| 34 | 259601 | Schraube | M8 | 1 | | MT 835 ST3B, MT 1335 ST3B, MT 1135 ST3B |
| 35 | 88246 | Schelle | | 1 | | MT 835 ST3B, MT 1335 ST3B, MT 1135 ST3B |
| 36 | 60698 | Schraube | HM8 | 1 | | MT 835 ST3B, MT 1335 ST3B, MT 1135 ST3B |
| 37 | 58528 | Mutter | M8 | 1 | | MT 835 ST3B, MT 1335 ST3B, MT 1135 ST3B |
| 38 | 204170 | Schelle | | 1 | | MT 835 ST3B, MT 1335 ST3B, MT 1135 ST3B |
| 39 | 213394 | Kabelfuehrung | | 1 | | MT 835 ST3B, MT 1335 ST3B, MT 1135 ST3B |

| Objekt | Teilenr. | Name | Characteristics | Anzahl | ersetzt die Referenz | Geräte Typ |
|--------|----------|-------------------------|-----------------|--------|----------------------|------------|
| 29 | 551569 | Daempfer | | 2 | | 309352MOD |
| 30 | 550024 | Block | | 1 | | 309352MOD |
| 31 | 61674 | Scheibe | M8 | 1 | | 309352MOD |
| 32 | 796101 | Führungskabel | | 1 | | 309352MOD |
| 33 | 747306 | Hebel | | 1 | | 309352MOD |
| 34 | 54232 | Mutter | M5 | 2 | | 309352MOD |
| 35 | 29483 | Scheibe | | 2 | | 309352MOD |
| 36 | 28959 | Scheibe | M5 | 2 | | 309352MOD |
| 37 | 796102 | Halter | | 1 | | 309352MOD |
| 38 | 61674 | Scheibe | M8 | 2 | | 309352MOD |
| 39 | 42325 | Scheibe | | 2 | | 309352MOD |
| 40 | 202144 | Schraube | M8 | 2 | | 309352MOD |
| 41 | 748472 | Schraube | H M6-65, M6 | 1 | | 309352MOD |
| 42 | 25714 | Mutter | M6 | 1 | | 309352MOD |
| 43 | 747308 | Schutz | | 1 | | 309352MOD |
| 44 | 224666 | Schraube | CBHc,M5-25, M5 | 2 | | 309352MOD |
| 45 | 563866 | Mutter | | 1 | | 309352MOD |
| 46 | 266243 | Halterung | | 1 | | 309352MOD |
| 47 | 224775 | Deckel | | 1 | | 309352MOD |
| 48 | 266246 | Schalter | | 1 | | 309352MOD |
| 49 | 747554 | Linse | | 1 | | 309352MOD |
| 50 | 170836 | Glühbirne | | 2 | | 309352MOD |
| 51 | 266247 | Scheibenwischerschalter | - | 1 | | 309352MOD |
| 52 | 747800 | Glas | | 1 | | 309352MOD |
| 53 | 562202 | Kunststoffstopfen | | 2 | | 309352MOD |
| 54 | 940554 | Halterung | | 1 | | 309352MOD |
| 55 | 796105 | Bolzen | | 1 | | 309352MOD |
| 56 | 796106 | Anschlag | | 1 | | 309352MOD |

| Objekt | Teilenr. | Name | Characteristics | Anzahl | ersetzt die Referenz | Geräte Typ |
|--------|----------|--------------|-----------------|--------|----------------------|------------|
| 28 | 796126 | Träger blech | | 1 | | 309352MOD |
| 29 | 61674 | Scheibe | M8 | 2 | | 309352MOD |
| 30 | 42325 | Scheibe | | 2 | | 309352MOD |
| 31 | 202144 | Schraube | M8 | 2 | | 309352MOD |
| 32 | 563829 | Einsatz | M6 | 2 | | 309352MOD |
| 33 | 551540 | Klemmstück | | 3 | | 309352MOD |
| 34 | 551541 | Schelle | | 3 | | 309352MOD |
| 35 | 702946 | Einsatz | M5 | 2 | | 309352MOD |

| Objekt | Teilenr. | Name | Characteristics | Anzahl | ersetzt die Referenz | Geräte Typ |
|--------|----------|-------------------|-----------------|--------|----------------------|------------|
| 29 | 746477 | Schutz | | 1 | | 52519129MO |
| 30 | 747802 | Linse | | 1 | | 52519129MO |
| 31 | 746479 | Schalter | | 1 | | 52519129MO |
| 32 | 746480 | Handgriff | | 1 | | 52519129MO |
| 33 | 196676 | Schraube | HM6 | 2 | | 52519129MO |
| 34 | 189172 | Schraube | M6 | 2 | | 52519129MO |
| 35 | 706997 | Kunststoffscheibe | | 2 | | 52519129MO |
| 36 | 264635 | Gehäuse | | 1 | | 52519129MO |
| 37 | 563829 | Einsatz | M6 | 2 | | 52519129MO |
| 38 | 741530 | Mutter | H,FRm 8, M8 | 1 | | 52519129MO |
| 39 | 794896 | Feder | | 1 | | 52519129MO |
| 40 | 746482 | Schild | | 1 | | 52519129MO |
| 41 | 63200 | Zapfen | | 1 | | 52519129MO |
| 42 | 72437 | Ring | | 2 | | 52519129MO |
| 43 | 947067 | Halterung | | 1 | | 52519129MO |
| 44 | 72436 | Bolzen | | 1 | | 52519129MO |
| 45 | 166702 | Stopfen | | 1 | | 52519129MO |
| 46 | 563829 | Einsatz | M6 | 1 | | 52519129MO |
| 47 | 174982 | Klammer | | 1 | 561531 | 52519129MO |
| 48 | 747303 | Klemmstück | | 1 | | 52519129MO |
| 49 | 182038 | Dichtung | | 1 | | 52519129MO |
| 50 | 170836 | Glühbirne | | 1 | | 52519129MO |
| 51 | 748470 | Unterlegscheibe | | 2 | | 52519129MO |
| 52 | 564618 | Bausatz | | 1 | | 52519129MO |
| 53 | 61674 | Scheibe | M8 | 1 | | 52519129MO |

| Objekt | Teilenr. | Name | Characteristics | Anzahl | ersetzt die Referenz | Geräte Typ |
|--------|----------|---------------------|-----------------|--------|----------------------|------------|
| 29 | 61674 | Scheibe | M8 | 2 | | 52519129MO |
| 30 | 42325 | Scheibe | | 2 | | 52519129MO |
| 31 | 202144 | Schraube | M8 | 2 | | 52519129MO |
| 32 | 563829 | Einsatz | M6 | 2 | | 52519129MO |
| 33 | 551540 | Klemmstück | | 3 | | 52519129MO |
| 34 | 551541 | Schelle | | 3 | | 52519129MO |
| 35 | 702946 | Einsatz | M5 | 2 | | 52519129MO |
| 36 | 747768 | Stopfen | | 1 | | 52519129MO |
| 37 | 748476 | Hintere Verkleidung | | 1 | | 52519129MO |
| 38 | 563829 | Einsatz | M6 | 3 | | 52519129MO |
| 39 | 747768 | Stopfen | | 2 | | 52519129MO |

| Objekt | Teilenr. | Name | Characteristics | Anzahl | ersetzt die Referenz | Geräte Typ |
|--------|----------|-------------------|-----------------|--------|----------------------|------------|
| 29 | 746477 | Schutz | | 1 | | |
| 30 | 747802 | Linse | | 1 | | |
| 31 | 276363 | Schalter | | 1 | | |
| 32 | 746480 | Handgriff | | 1 | | |
| 33 | 196676 | Schraube | HM6 | 2 | | |
| 34 | 183396 | Schraube | M6 | 2 | | |
| 35 | 706997 | Kunststoffscheibe | | 2 | | |
| 36 | 264635 | Gehäuse | | 1 | | |
| 37 | 563829 | Einsatz | M6 | 2 | | |
| 38 | 741530 | Mutter | H,FRm 8, M8 | 1 | | |
| 39 | 794896 | Feder | | 1 | | |
| 40 | 746482 | Schild | | 1 | | |
| 41 | 63200 | Zapfen | | 1 | | |
| 42 | 72437 | Ring | | 2 | | |
| 43 | 947067 | Halterung | | 1 | | |
| 44 | 72436 | Bolzen | | 1 | | |
| 45 | 166702 | Stopfen | | 1 | | |
| 46 | 563829 | Einsatz | M6 | 1 | | |
| 47 | 561531 | Klemmstück | | 1 | | |
| 48 | 747303 | Klemmstück | | 1 | | |
| 49 | 603165 | kupplung | | 1 | | |
| 50 | 170836 | Glühbirne | | 1 | | |
| 51 | 748470 | Unterlegscheibe | | 2 | | |
| 52 | 564618 | Bausatz | | 1 | | |
| 53 | 61674 | Scheibe | M8 | 1 | | |

| Objekt | Teilenr. | Name | Characteristics | Anzahl | ersetzt die Referenz | Geräte Typ |
|--------|----------|----------------------|------------------------------|--------|----------------------|------------|
| 28 | 52506164 | Heizung | | 1 | | |
| 29 | 934545 | Dichtung | L100 | 1 | | |
| 31 | 563864 | Einsatz | M8 | 3 | | |
| 32 | 702946 | Einsatz | M5 | 1 | | |
| 33 | 190734 | Schraube | M8 | 1 | | |
| 34 | 42325 | Scheibe | | 5 | | |
| 35 | 551540 | Klemmstück | | 3 | | |
| 36 | 551541 | Schelle | | 3 | | |
| 37 | 748469 | Verkleidung | | 1 | | |
| 38 | 183364 | Rohr | | 1 | 190741 | |
| 39 | 563829 | Einsatz | M6 | 4 | | |
| 40 | 796859 | Sonnenblende | | 1 | | |
| 41 | 746703 | Niete | | 2 | | |
| 42 | 796132 | Schraube | | 2 | | |
| 43 | 563829 | Einsatz | M6 | 2 | | |
| 44 | 746503 | Gummischeibe | | 1 | | |
| 45 | 193157 | Anschlussstück | | 1 | | |
| 46 | 941766 | Schlauch | | 1 | | |
| 47 | 941768 | Schlauch | | 1 | | |
| 48 | 746508 | Duse | | 1 | | |
| 50 | 746749 | Scheibenwischermotor | 4 COSSES | 1 | | |
| 51 | 796902 | Motorabdeckung | | 1 | | |
| 52 | 750252 | Schraube | | 1 | | |
| 53 | 551550 | Scheibe | | 2 | | |
| 54 | 941498 | Dichtung | | 2 | | |
| 55 | 746756 | Bürstenhalter | PAS D'EMBOUT ; 1 FIXATION | 1 | | |
| 56 | 746757 | Wischerblatt, Seite | L600 | 1 | | |
| 57 | 54568 | Niete | | 4 | | |

| Objekt | Teilenr. | Name | Characteristics | Anzahl | ersetzt die Referenz | Geräte Typ |
|--------|----------|--------------------------|--|--------|----------------------|------------|
| 35 | 162229 | Mutter | M6 | 2 | | |
| 36 | 563829 | Einsatz | M6 | 4 | | |
| 37 | 29469 | Scheibe | M6 | 4 | | |
| 38 | 42316 | Scheibe | | 4 | | |
| 39 | 205275 | Schwarze Schraube | M6 | 4 | | |
| 40 | 746451 | Frontscheibenwischemotor | | 1 | | |
| 41 | 746452 | Scheibenwischemotor | 4 FIXATIONS ; 5 COSSES | 1 | | |
| 42 | 746453 | Gehaeuse | | 1 | 908045 | |
| 43 | 563829 | Einsatz | M6 | 1 | | |
| 44 | 741519 | Dichtung | | 1 | | |
| 45 | 746454 | Scheibenwischer | | 1 | | |
| 46 | 746455 | Arm | SUPPORT DOUBLE ; 3 FIXATIONS ; EMBOUT | 1 | | |
| 47 | 746456 | Buerste | 2 FIXATION VIS | 1 | | |
| 48 | 746457 | Arm | 1 FIXATION ; PAS D'EMBOUT | 1 | | |
| 49 | 746458 | Buerste | FIXATION CLIP | 1 | | |
| 50 | 704993 | Scheibe | | 1 | | |
| 51 | 746459 | Schutz | | 1 | | |
| 53 | 750013 | Glasscheibe | PLATE TROUEE | 1 | | |
| 55 | 704994 | Dachluke | BOMBEE | 1 | | |
| 56 | 564618 | Bausatz | | 1 | | |
| 58 | 748468 | Verkleidung | | 8 | | |
| 59 | 747301 | Schild | | 1 | | |
| 60 | 747302 | Halterung | | 1 | | |
| 61 | 190732 | Schraube | | 2 | | |
| 62 | 194673 | Scheibe | | 2 | | |
| 63 | 746373 | Kappe | | 2 | | |
| 64 | 29469 | Scheibe | M6 | 2 | | |

| Objekt | Teilenr. | Name | Characteristics | Anzahl | ersetzt die Referenz | Geräte Typ |
|--------|----------|----------------------|-----------------|--------|----------------------|------------|
| 0 | 52537671 | Komplette Kabine | | 1 | | |
| 1 | 746493 | Bolzen | | 1 | | |
| 2 | 182180 | Scheibe | | 2 | | |
| 3 | 182181 | Befestigungsplatte | | 1 | | |
| 4 | 746495 | Befestigungsplatte | | 1 | | |
| 5 | 162229 | Mutter | M6 | 1 | | |
| 6 | 29469 | Scheibe | M6 | 1 | | |
| 7 | 42316 | Scheibe | | 1 | | |
| 8 | 189172 | Schraube | M6 | 1 | | |
| 9 | 205275 | Schwarze Schraube | M6 | 2 | | |
| 10 | 42316 | Scheibe | | 2 | | |
| 11 | 29469 | Scheibe | M6 | 2 | | |
| 12 | 563829 | Einsatz | M6 | 4 | | |
| 13 | 746496 | Verschlussplatte | | 1 | | |
| 14 | 746497 | Schalldämmung | | 1 | | |
| 15 | 189172 | Schraube | M6 | 1 | | |
| 16 | 42316 | Scheibe | | 1 | | |
| 17 | 29469 | Scheibe | M6 | 1 | | |
| 18 | 940556 | Befestigungsplatte | | 1 | | |
| 19 | 551880 | Mutter | | 1 | | |
| 20 | 947799 | STOPFBÜCHSE | | 2 | 941761 | |
| 21 | 748074 | Scheibenwischermotor | | 1 | | |
| 22 | 941497 | Rohrverbindung | | 1 | | |
| 23 | 748075 | Wischerblatt, Dach | EMBOUT CLIP | 1 | | |
| 24 | 748076 | Bürstenhalter | | 1 | | |
| 25 | 551550 | Scheibe | | 1 | | |
| 26 | 166702 | Stopfen | | 1 | | |
| 27 | 72437 | Ring | | 2 | | |

| Objekt | Teilenr. | Name | Characteristics | Anzahl | ersetzt die Referenz | Geräte Typ |
|--------|----------|----------------------|-----------------|--------|----------------------|------------|
| 0 | 52537671 | Komplette Kabine | | 1 | | |
| 1 | 52527577 | Heizung | | 1 | | |
| 2 | 958674 | Heizung | | 1 | | |
| 3 | 958662 | Lüfter | | 1 | | |
| 4 | 958666 | Komplettes Ventil | | 1 | | |
| 5 | 958663 | Ventil | | 1 | | |
| 6 | 958667 | Vorwärmwiderstand | | 1 | | |
| 7 | 958671 | HeizungsfILTER | | 1 | | |
| 8 | 958672 | Abdeckung | | 1 | | |
| 9 | 52536122 | Kabelbaum (Heizung) | | 1 | | |
| 10 | 958668 | Hermetische Dichtung | | 1 | | |
| 11 | 960235 | O-Ring | | 1 | | |

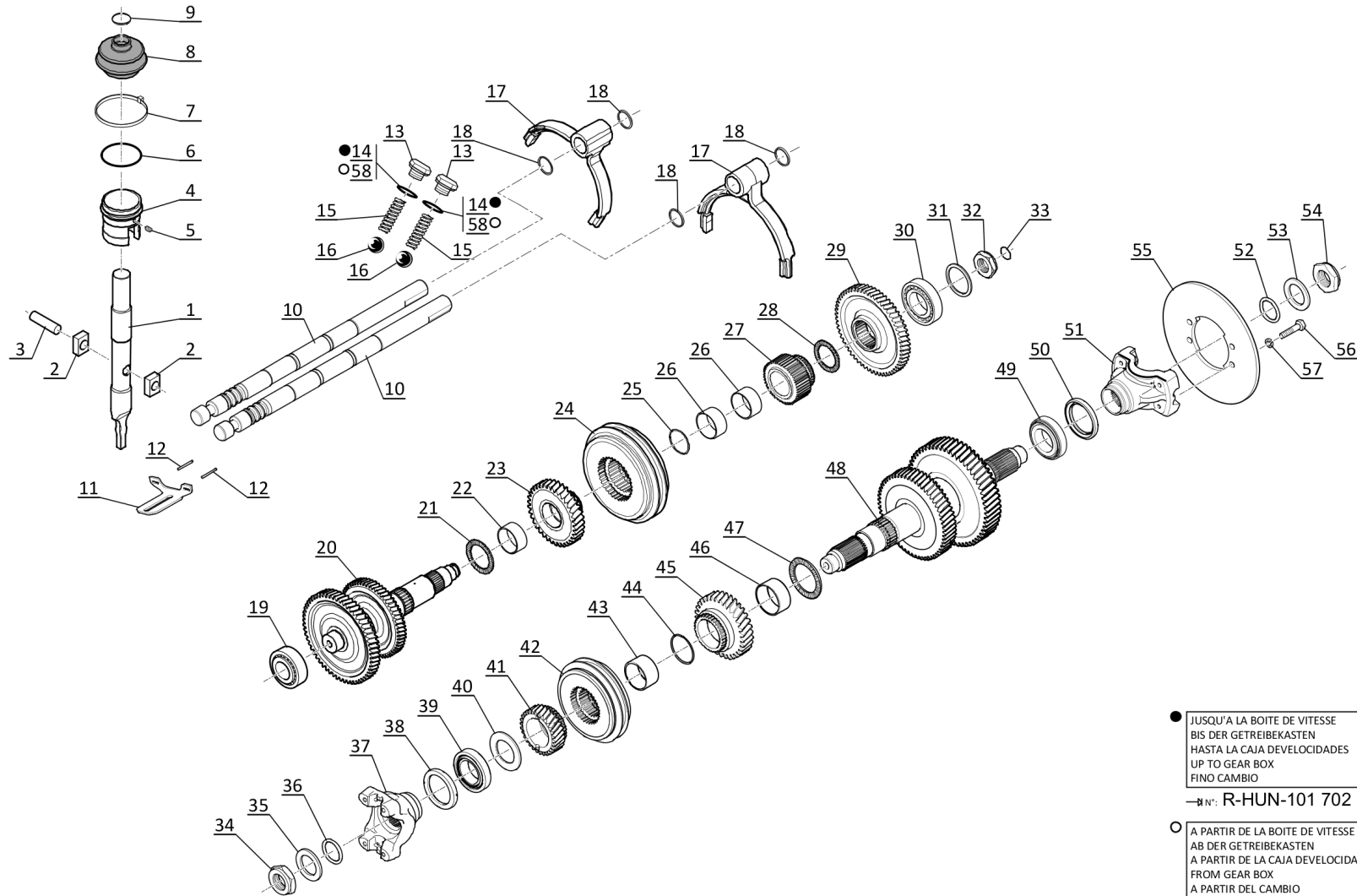
AX 1948

POUR BOITE DE VITESSES
 FÜR GETRIEBEKASTEN
 PARA CAJA DE VELOCIDADES
 FOR GEAR BOX
 PER CAMBIO

□ Type : 859 / 57
 □ Ref : 273 051

BOITE DE VITESSES (Détails mécanismes - Pignonnerie)
 GETRIEBEKASTEN (Mechanismus einzelteile - Zahnrad)
 CAJA DE VELOCIDADES (Detalles mecanismo - Pinón)
 GEAR BOX (Mechanism details - Gear)
 CAMBIO (Particolari Meccanici - Pignone)

MT 835 ST3B
 MT 1135 ST3B
 MT 1335 ST3B



● JUSQU'À LA BOITE DE VITESSE
 BIS DER GETRIEBEKASTEN
 HASTA LA CAJA DE VELOCIDADES
 UP TO GEAR BOX
 FINO CAMBIO

→ N°: R-HUN-101 702

○ À PARTIR DE LA BOITE DE VITESSE
 AB DER GETRIEBEKASTEN
 A PARTIR DE LA CAJA DE VELOCIDADES
 FROM GEAR BOX
 A PARTIR DEL CAMBIO

→ N°: R-HUN-101 703

P.A.O. illius

CLICK HERE TO **DOWNLOAD** THE COMPLETE MANUAL

- Thank you very much for reading the preview of the manual.
- You can download the complete manual from: www.heydownloads.com by clicking the link below



- Please note: If there is no response to CLICKING the link, please download this PDF first and then click on it.

CLICK HERE TO **DOWNLOAD** THE COMPLETE MANUAL