



**GENUINE PARTS CATALOGUE
CATALOGUE PIECES D'ORIGINE
ORIGINAL ERSATZTEILKATALOG
CATALOGO DE PIEZAS LEGITIMAS
CATALOGO RICAMBI ORIGINALI**

This document has been printed from  myedoc

MANITOU BF

Head office: 430, Rue de l'Aubinière
44150 Ancenis - FRANCE
Share capital: 39,548,949 euros
857 802 508 RCS Nantes
Tel: +33 (0)2 40 09 10 11
www.manitou.com

CLICK HERE TO **DOWNLOAD** THE COMPLETE MANUAL

- Thank you very much for reading the preview of the manual.
- You can download the complete manual from: www.heydownloads.com by clicking the link below



- Please note: If there is no response to CLICKING the link, please download this PDF first and then click on it.

CLICK HERE TO **DOWNLOAD** THE COMPLETE MANUAL

| | |
|--|--------------|
| 8AA713 - PNEUMATIC SEAT ADAPTATION (751060mod) | See page 148 |
| 8AA699 - CAB ADAPTATION (CAR RADIO) (751207mod) | See page 153 |
| 8AA697 - CAB ADAPTATION (CAR RADIO PRE-FITTING) (751208mod) | See page 155 |
| 8AA698 - CAB ADAPTATION (CAR RADIO) (751209mod) | See page 157 |
| 10AF754 - HYDRAULIC (ELECTROVALVE - BOOM HEAD) (751230mod) | See page 159 |
| 11CB1006 - FRONT WORKING HEADLIGHT + REAR (L.H.) (751753mod) | See page 166 |
| 11CB1007 - REAR WORKING HEADLIGHT (R.H.) (751755mod) | See page 227 |
| 11CB1008 - REAR WORKING HEADLIGHT (R.H.) (751756mod) | See page 230 |
| 11CB1022 - REAR WORKING HEADLIGHT (752110mod) | See page 181 |
| 8AD286 - CIRCUIT AIR-CONDITIONING (752110mod) | See page 183 |

ELECTRICITY

| | |
|---|--------------|
| 8AB980 - CAB WITH AIR-CONDITIONING (DETAILS) (273985MOD) | 541 |
| 8AB981 - CAB WITH AIR-CONDITIONING (Details) (273985MOD) | 560 |
| 8AB982 - CAB WITH AIR-CONDITIONING (Details) (273985MOD) | 566 |
| 8AB984 - CAB WITH AIR-CONDITIONING (DETAILS) (273985MOD) | See page 232 |
| 8AB1188 - CAB (DETAILS) (289905MOD) | 569 |
| 8AB1189 - CAB (DETAILS) (289905MOD) | 576 |
| 8AB1190 - CAB (Details) (289905MOD) | 586 |
| 8AB1192 - CAB (DETAILS) (289905MOD) | See page 242 |
| 8AA586 - CAB ADAPTATION (547998) | 589 |
| 8AA588 - CAB ADAPTATION (547998) | 591 |
| 8AA688 - SUN SHADE (697180mod) | 596 |
| 8AA689 - ROOF SUN SHADE (697182mod) | 598 |
| 8AA701 - DOOR RETAINER OF REAR WINDOW (697199mod) | 600 |
| 8AA690 - INNER REARVIEW MIRROR (751042mod) | 602 |
| 8AA693 - PROTECTION GRID ADAPTATION (751088MOD) | 604 |
| 8AA691 - WINDSCREEN OF ROOF (751757mod) | 609 |
| 8AA692 - SIDE WINDSCREEN WIPER + WINDSCREEN OF ROOF (751758mod) | 611 |
| 8AA700 - CAB ADAPTATION (REAR ELECTRIC DEFROSTER) (751759mod) | 613 |

FITTINGS - SOUND PROOFING

| | |
|---|--------------|
| 8AB980 - CAB WITH AIR-CONDITIONING (DETAILS) (273985MOD) | See page 541 |
| 8AB981 - CAB WITH AIR-CONDITIONING (Details) (273985MOD) | See page 560 |
| 8AB982 - CAB WITH AIR-CONDITIONING (Details) (273985MOD) | See page 566 |
| 8AB1188 - CAB (DETAILS) (289905MOD) | See page 569 |
| 8AB1189 - CAB (DETAILS) (289905MOD) | See page 576 |
| 8AB1190 - CAB (Details) (289905MOD) | See page 586 |
| 8AA701 - DOOR RETAINER OF REAR WINDOW (697199mod) | See page 600 |
| 8AA700 - CAB ADAPTATION (REAR ELECTRIC DEFROSTER) (751759mod) | See page 613 |
| 8AA702 - CAB ADAPTATION (BOX) (784652mod) | 616 |

DOOR - GLASS

| | |
|--|--------------|
| 8AA378 - SEAT (SYNTHETICS WOVEN) (547998) | 618 |
| 8AA586 - CAB ADAPTATION (547998) | See page 589 |
| 8AA494 - PNEUMATIC SEAT (751060mod) | 620 |
| 8AA713 - PNEUMATIC SEAT ADAPTATION (751060mod) | See page 148 |
| 8AA386 - SEAT (751061mod) | 623 |
| 8AA714 - SEAT ADAPTATION (751061mod) | 626 |

TRANSMISSION

PROPSHAFT

| | |
|---|--------------|
| BP165 - CARDAN COUPLING ENGINE - ANGLE RETURN (224734MOD) | 628 |
| BP107 - CARDAN COUPLING GEAR BOX - REAR AXLE (224736MOD) | See page 266 |
| AX1471 - FRONT AXLE REDUCTION GEAR (240875MOD) | See page 330 |
| BP190 - CARDAN COUPLING GEAR BOX - FRONT AXLE (241448MOD) | 632 |
| BP294 - CARDAN COUPLING GEAR BOX - REAR AXLE (295108MOD) | 634 |
| BP295 - CARDAN COUPLING GEAR BOX - FRONT AXLE (295119MOD) | 637 |

GEAR BOX

| | |
|--|--------------|
| 11CD152 - ELECTRICITY (ENGINE - TRANSMISSION) (547998) | See page 113 |
|--|--------------|

ANGLE RETURN

| | | Characteristics | - | SupersededPartNumber | Product Type |
|----|--------|-----------------|---|----------------------|--|
| 15 | 245400 | Load chart | | 1 | MLT 630 TURBO SD E3, MLT 634 120 LSU POWERSHIFT SE E3, MT 732 SD E3, MLT 634 120 LSU SE E3, MLT 731 TURBO SD E3, MLT 731 TURBO SE E3, MLT 735 120 LSU POWERSHIFT S5 E3, MLT 735 TURBO LSU S5 E3, MT 1033 H L TURBO S4 E3, MLT 742 TURBO S4 E3, MLT 735 120 LSU S5 E3, MT 1030 S TURBO S4 E3, MLT 634 TURBO LSU SE E3, MLT 741 120 LSU S5 E3, MT 1030 S S4 E3, MLT 1035 L TURBO LSU S4 E3, MLT 741 120 LSU POWERSHIFT S5 E3, MLT 1035 L TURBO LSU S5 E3, MT 932 SD E3 |
| 16 | 242184 | Load chart | | 1 | MLT 630 TURBO SD E3, MLT 634 120 LSU POWERSHIFT SE E3, MT 732 SD E3, MLT 634 120 LSU SE E3, MLT 731 TURBO SD E3, MLT 731 TURBO SE E3, MLT 735 120 LSU POWERSHIFT S5 E3, MLT 735 TURBO LSU S5 E3, MT 1033 H L TURBO S4 E3, MLT 742 TURBO S4 E3, MLT 735 120 LSU S5 E3, MT 1030 S TURBO S4 E3, MLT 634 TURBO LSU SE E3, MLT 741 120 LSU S5 E3, MT 1030 S S4 E3, MLT 1035 L TURBO LSU S4 E3, MLT 741 120 LSU POWERSHIFT S5 E3, MLT 1035 L TURBO LSU S5 E3, MT 932 SD E3 |
| 17 | 241103 | Load chart | | 1 | MLT 630 TURBO SD E3, MLT 634 120 LSU POWERSHIFT SE E3, MT 732 SD E3, MLT 634 120 LSU SE E3, MLT 731 TURBO SD E3, MLT 731 TURBO SE E3, MLT 735 120 LSU POWERSHIFT S5 E3, MLT 735 TURBO LSU S5 E3, MT 1033 H L TURBO S4 E3, MLT 742 TURBO S4 E3, MLT 735 120 LSU S5 E3, MT 1030 S TURBO S4 E3, MLT 634 TURBO LSU SE E3, MLT 741 120 LSU S5 E3, MT 1030 S S4 E3, MLT 1035 L TURBO LSU S4 E3, MLT 741 120 LSU POWERSHIFT S5 E3, MLT 1035 L TURBO LSU S5 E3, MT 932 SD E3 |

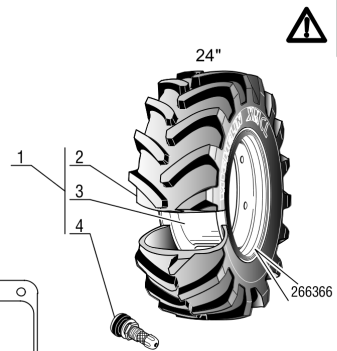
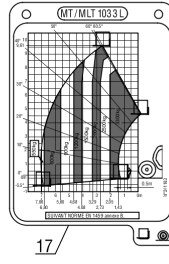
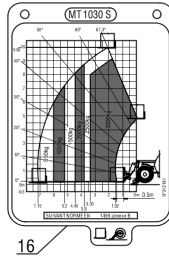
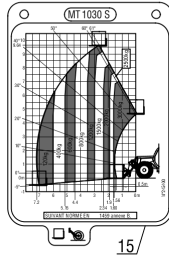
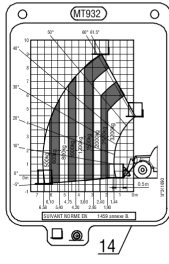
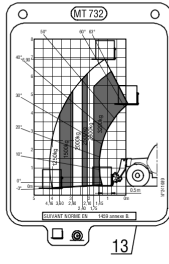
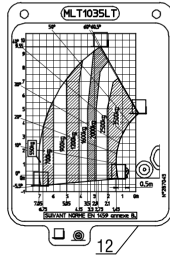
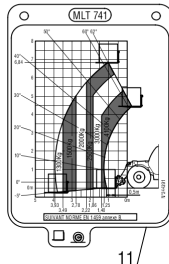
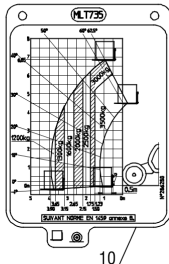
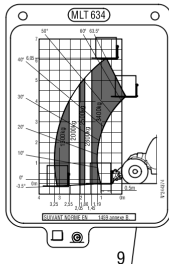
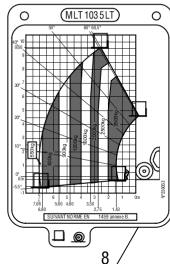
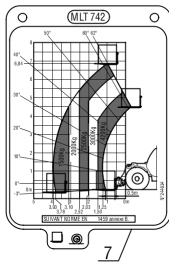
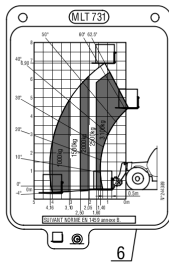
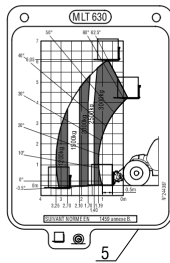
| | | Characteristics | - | Superseded Part Number | Product Type |
|----|--------|-----------------|---|------------------------|--|
| 15 | 245400 | Load chart | | 1 | MLT 630 TURBO SD E3, MLT 634 120 LSU POWERSHIFT SE E3, MT 732 SD E3, MLT 634 120 LSU SE E3, MLT 731 TURBO SD E3, MLT 731 TURBO SE E3, MLT 735 120 LSU POWERSHIFT S5 E3, MLT 735 TURBO LSU S5 E3, MT 1033 H L TURBO S4 E3, MLT 742 TURBO S4 E3, MLT 735 120 LSU S5 E3, MT 1030 S TURBO S4 E3, MLT 634 TURBO LSU SE E3, MLT 741 120 LSU S5 E3, MT 1030 S S4 E3, MLT 1035 L TURBO LSU S4 E3, MLT 741 120 LSU POWERSHIFT S5 E3, MLT 1035 L TURBO LSU S5 E3, MT 932 SD E3 |
| 16 | 242184 | Load chart | | 1 | MLT 630 TURBO SD E3, MLT 634 120 LSU POWERSHIFT SE E3, MT 732 SD E3, MLT 634 120 LSU SE E3, MLT 731 TURBO SD E3, MLT 731 TURBO SE E3, MLT 735 120 LSU POWERSHIFT S5 E3, MLT 735 TURBO LSU S5 E3, MT 1033 H L TURBO S4 E3, MLT 742 TURBO S4 E3, MLT 735 120 LSU S5 E3, MT 1030 S TURBO S4 E3, MLT 634 TURBO LSU SE E3, MLT 741 120 LSU S5 E3, MT 1030 S S4 E3, MLT 1035 L TURBO LSU S4 E3, MLT 741 120 LSU POWERSHIFT S5 E3, MLT 1035 L TURBO LSU S5 E3, MT 932 SD E3 |
| 17 | 241103 | Load chart | | 1 | MLT 630 TURBO SD E3, MLT 634 120 LSU POWERSHIFT SE E3, MT 732 SD E3, MLT 634 120 LSU SE E3, MLT 731 TURBO SD E3, MLT 731 TURBO SE E3, MLT 735 120 LSU POWERSHIFT S5 E3, MLT 735 TURBO LSU S5 E3, MT 1033 H L TURBO S4 E3, MLT 742 TURBO S4 E3, MLT 735 120 LSU S5 E3, MT 1030 S TURBO S4 E3, MLT 634 TURBO LSU SE E3, MLT 741 120 LSU S5 E3, MT 1030 S S4 E3, MLT 1035 L TURBO LSU S4 E3, MLT 741 120 LSU POWERSHIFT S5 E3, MLT 1035 L TURBO LSU S5 E3, MT 932 SD E3 |

| | | Characteristics | - | SupersededPartNumber | Product Type |
|---|--------|-----------------|---|----------------------|--|
| 5 | 244387 | Load chart | | 1 | MLT 630 TURBO SD E3, MLT 634 120 LSU POWERSHIFT SE E3, MT 732 SD E3, MLT 634 120 LSU SE E3, MLT 731 TURBO SD E3, MLT 731 TURBO SE E3, MLT 735 120 LSU POWERSHIFT S5 E3, MLT 735 TURBO LSU S5 E3, MT 1033 H L TURBO S4 E3, MLT 742 TURBO S4 E3, MLT 735 120 LSU S5 E3, MT 1030 S TURBO S4 E3, MLT 634 TURBO LSU SE E3, MLT 741 120 LSU S5 E3, MT 1030 S S4 E3, MLT 1035 L TURBO LSU S4 E3, MLT 741 120 LSU POWERSHIFT S5 E3, MLT 1035 L TURBO LSU S5 E3, MT 932 SD E3 |
| 6 | 244389 | Load chart | | 1 | MLT 630 TURBO SD E3, MLT 634 120 LSU POWERSHIFT SE E3, MT 732 SD E3, MLT 634 120 LSU SE E3, MLT 731 TURBO SD E3, MLT 731 TURBO SE E3, MLT 735 120 LSU POWERSHIFT S5 E3, MLT 735 TURBO LSU S5 E3, MT 1033 H L TURBO S4 E3, MLT 742 TURBO S4 E3, MLT 735 120 LSU S5 E3, MT 1030 S TURBO S4 E3, MLT 634 TURBO LSU SE E3, MLT 741 120 LSU S5 E3, MT 1030 S S4 E3, MLT 1035 L TURBO LSU S4 E3, MLT 741 120 LSU POWERSHIFT S5 E3, MLT 1035 L TURBO LSU S5 E3, MT 932 SD E3 |
| 7 | 244634 | Load chart | | 1 | MLT 630 TURBO SD E3, MLT 634 120 LSU POWERSHIFT SE E3, MT 732 SD E3, MLT 634 120 LSU SE E3, MLT 731 TURBO SD E3, MLT 731 TURBO SE E3, MLT 735 120 LSU POWERSHIFT S5 E3, MLT 735 TURBO LSU S5 E3, MT 1033 H L TURBO S4 E3, MLT 742 TURBO S4 E3, MLT 735 120 LSU S5 E3, MT 1030 S TURBO S4 E3, MLT 634 TURBO LSU SE E3, MLT 741 120 LSU S5 E3, MT 1030 S S4 E3, MLT 1035 L TURBO LSU S4 E3, MLT 741 120 LSU POWERSHIFT S5 E3, MLT 1035 L TURBO LSU S5 E3, MT 932 SD E3 |
| 8 | 256053 | Load chart | | 1 | MLT 630 TURBO SD E3, MLT 634 120 LSU POWERSHIFT SE E3, MT 732 SD E3, MLT 634 120 LSU SE E3, MLT 731 TURBO SD E3, MLT 731 TURBO SE E3, MLT 735 120 LSU POWERSHIFT S5 E3, MLT 735 TURBO LSU S5 E3, MT 1033 H L TURBO S4 E3, MLT 742 TURBO S4 E3, MLT 735 120 LSU S5 E3, MT 1030 S TURBO S4 E3, MLT 634 TURBO LSU SE E3, MLT 741 120 LSU S5 E3, MT 1030 S S4 E3, MLT 1035 L TURBO LSU S4 E3, MLT 741 120 LSU POWERSHIFT S5 E3, MLT 1035 L TURBO LSU S5 E3, MT 932 SD E3 |
| 9 | 244374 | Load chart | | 1 | MLT 630 TURBO SD E3, MLT 634 120 LSU POWERSHIFT SE E3, MT 732 SD E3, MLT 634 120 LSU SE E3, MLT 731 TURBO SD E3, MLT 731 TURBO SE E3, MLT 735 120 LSU POWERSHIFT S5 E3, MLT 735 TURBO LSU S5 E3, MT 1033 H L TURBO S4 E3, MLT 742 TURBO S4 E3, MLT 735 120 LSU S5 E3, MT 1030 S TURBO S4 E3, MLT 634 TURBO LSU SE E3, MLT 741 120 LSU S5 E3, MT 1030 S S4 E3, MLT 1035 L TURBO LSU S4 E3, MLT 741 120 LSU POWERSHIFT S5 E3, MLT 1035 L TURBO LSU S5 E3, MT 932 SD E3 |

3 AB 48

ROUES
RADER
RUEDAS
WHEELS
RUOTA

751055mod



MICHELIN
460 / 70 R24 XMCL

- 8 Trous
- 8 Loecher
- 8 Agujeros
- 8 Holes
- 8 Fori

⚠ VOIR NOMENCLATURE
SIEHE STÜCKLISTE
VER NOMENCLATURA
SEE NOMENCLATURE
VEDERE NOMENCLATURA

| | | Characteristics | - | Superseded Part Number | Product Type |
|---|--------|--|---|------------------------|--|
| 0 | 751084 | Automatic vacuum-cleaning pre-filter kit | | 1 | MLT 630 TURBO SD E3, MLT 634 120 LSU POWERSHIFT SE E3, MT 732 SD E3, MLT 634 120 LSU SE E3, MLT 731 TURBO SD E3, MLT 731 TURBO SE E3, MLT 735 120 LSU POWERSHIFT S5 E3, MLT 735 TURBO LSU S5 E3, MT 1033 H L TURBO S4 E3, MLT 742 TURBO S4 E3, MLT 735 120 LSU S5 E3, MT 1030 S TURBO S4 E3, MLT 634 TURBO LSU SE E3, MLT 741 120 LSU S5 E3, MT 1030 S S4 E3, MLT 1035 L TURBO LSU S4 E3, MLT 741 120 LSU POWERSHIFT S5 E3, MLT 1035 L TURBO LSU S5 E3, MLT 634 120 LSU POWERSHIFT SF E3, MT 932 SD E3 |
| 1 | 226611 | Pre-filter | | 1 | MLT 630 TURBO SD E3, MLT 634 120 LSU POWERSHIFT SE E3, MT 732 SD E3, MLT 634 120 LSU SE E3, MLT 731 TURBO SD E3, MLT 731 TURBO SE E3, MLT 735 120 LSU POWERSHIFT S5 E3, MLT 735 TURBO LSU S5 E3, MT 1033 H L TURBO S4 E3, MLT 742 TURBO S4 E3, MLT 735 120 LSU S5 E3, MT 1030 S TURBO S4 E3, MLT 634 TURBO LSU SE E3, MLT 741 120 LSU S5 E3, MT 1030 S S4 E3, MLT 1035 L TURBO LSU S4 E3, MLT 741 120 LSU POWERSHIFT S5 E3, MLT 1035 L TURBO LSU S5 E3, MLT 634 120 LSU POWERSHIFT SF E3, MT 932 SD E3 |
| 2 | 601319 | Cover | | 1 | MLT 630 TURBO SD E3, MLT 634 120 LSU POWERSHIFT SE E3, MT 732 SD E3, MLT 634 120 LSU SE E3, MLT 731 TURBO SD E3, MLT 731 TURBO SE E3, MLT 735 120 LSU POWERSHIFT S5 E3, MLT 735 TURBO LSU S5 E3, MT 1033 H L TURBO S4 E3, MLT 742 TURBO S4 E3, MLT 735 120 LSU S5 E3, MT 1030 S TURBO S4 E3, MLT 634 TURBO LSU SE E3, MLT 741 120 LSU S5 E3, MT 1030 S S4 E3, MLT 1035 L TURBO LSU S4 E3, MLT 741 120 LSU POWERSHIFT S5 E3, MLT 1035 L TURBO LSU S5 E3, MLT 634 120 LSU POWERSHIFT SF E3, MT 932 SD E3 |
| 3 | 601320 | Fly nut | | 1 | MLT 630 TURBO SD E3, MLT 634 120 LSU POWERSHIFT SE E3, MT 732 SD E3, MLT 634 120 LSU SE E3, MLT 731 TURBO SD E3, MLT 731 TURBO SE E3, MLT 735 120 LSU POWERSHIFT S5 E3, MLT 735 TURBO LSU S5 E3, MT 1033 H L TURBO S4 E3, MLT 742 TURBO S4 E3, MLT 735 120 LSU S5 E3, MT 1030 S TURBO S4 E3, MLT 634 TURBO LSU SE E3, MLT 741 120 LSU S5 E3, MT 1030 S S4 E3, MLT 1035 L TURBO LSU S4 E3, MLT 741 120 LSU POWERSHIFT S5 E3, MLT 1035 L TURBO LSU S5 E3, MLT 634 120 LSU POWERSHIFT SF E3, MT 932 SD E3 |
| 4 | 601321 | Clip | | 1 | MLT 630 TURBO SD E3, MLT 634 120 LSU POWERSHIFT SE E3, MT 732 SD E3, MLT 634 120 LSU SE E3, MLT 731 TURBO SD E3, MLT 731 TURBO SE E3, MLT 735 120 LSU POWERSHIFT S5 E3, MLT 735 TURBO LSU S5 E3, MT 1033 H L TURBO S4 E3, MLT 742 TURBO S4 E3, MLT 735 120 LSU S5 E3, MT 1030 S TURBO S4 E3, MLT 634 TURBO LSU SE E3, MLT 741 120 LSU S5 E3, MT 1030 S S4 E3, MLT 1035 L TURBO LSU S4 E3, MLT 741 120 LSU POWERSHIFT S5 E3, MLT 1035 L TURBO LSU S5 E3, MLT 634 120 LSU POWERSHIFT SF E3, MT 932 SD E3 |

| | | Characteristics | - | Superseded Part Number | Product Type |
|----|--------|-----------------|-------|------------------------|--|
| 39 | 225183 | Relay | | 1 | MT 732 SD E3, MT 1030 S TURBO S4 E3, MT 1030 S S4 E3, MT 932 SD E3 |
| 40 | 225185 | fuse | 7,5 A | 1 | MT 732 SD E3, MT 1030 S TURBO S4 E3, MT 1030 S S4 E3, MT 932 SD E3 |

| | | Characteristics | - | SupersededPartNumber | Product Type |
|---|--------|---------------------|---|----------------------|--|
| 0 | 784499 | Hydraulic kit | | 1 | MLT 630 TURBO SD E3, MLT 634 120 LSU POWERSHIFT SE E3, MT 732 SD E3, MLT 634 120 LSU SE E3, MLT 731 TURBO SD E3, MLT 731 TURBO SE E3, MLT 735 120 LSU POWERSHIFT S5 E3, MLT 735 TURBO LSU S5 E3, MT 1033 H L TURBO S4 E3, MLT 742 TURBO S4 E3, MLT 735 120 LSU S5 E3, MT 1030 S TURBO S4 E3, MLT 634 TURBO LSU SE E3, MLT 741 120 LSU S5 E3, MT 1030 S S4 E3, MLT 1035 L TURBO LSU S4 E3, MLT 741 120 LSU POWERSHIFT S5 E3, MLT 1035 L TURBO LSU S5 E3, MT 932 SD E3 |
| 0 | 752570 | Hydraulic kit | | 1 | MLT 630 TURBO SD E3, MLT 634 120 LSU POWERSHIFT SE E3, MT 732 SD E3, MLT 634 120 LSU SE E3, MLT 731 TURBO SD E3, MLT 731 TURBO SE E3, MLT 735 120 LSU POWERSHIFT S5 E3, MLT 735 TURBO LSU S5 E3, MT 1033 H L TURBO S4 E3, MLT 742 TURBO S4 E3, MLT 735 120 LSU S5 E3, MT 1030 S TURBO S4 E3, MLT 634 TURBO LSU SE E3, MLT 741 120 LSU S5 E3, MT 1030 S S4 E3, MLT 1035 L TURBO LSU S4 E3, MLT 741 120 LSU POWERSHIFT S5 E3, MLT 1035 L TURBO LSU S5 E3, MT 932 SD E3 |
| 0 | 752569 | Hydraulic kit | | 1 | MLT 630 TURBO SD E3, MLT 634 120 LSU POWERSHIFT SE E3, MT 732 SD E3, MLT 634 120 LSU SE E3, MLT 731 TURBO SD E3, MLT 731 TURBO SE E3, MLT 735 120 LSU POWERSHIFT S5 E3, MLT 735 TURBO LSU S5 E3, MT 1033 H L TURBO S4 E3, MLT 742 TURBO S4 E3, MLT 735 120 LSU S5 E3, MT 1030 S TURBO S4 E3, MLT 634 TURBO LSU SE E3, MLT 741 120 LSU S5 E3, MT 1030 S S4 E3, MLT 1035 L TURBO LSU S4 E3, MLT 741 120 LSU POWERSHIFT S5 E3, MLT 1035 L TURBO LSU S5 E3, MT 932 SD E3 |
| 0 | 697249 | Rearview mirror kit | | 1 | MLT 630 TURBO SD E3, MLT 634 120 LSU POWERSHIFT SE E3, MT 732 SD E3, MLT 634 120 LSU SE E3, MLT 731 TURBO SD E3, MLT 731 TURBO SE E3, MLT 735 120 LSU POWERSHIFT S5 E3, MLT 735 TURBO LSU S5 E3, MT 1033 H L TURBO S4 E3, MLT 742 TURBO S4 E3, MLT 735 120 LSU S5 E3, MT 1030 S TURBO S4 E3, MLT 634 TURBO LSU SE E3, MLT 741 120 LSU S5 E3, MT 1030 S S4 E3, MLT 1035 L TURBO LSU S4 E3, MLT 741 120 LSU POWERSHIFT S5 E3, MLT 1035 L TURBO LSU S5 E3, MT 932 SD E3 |
| 0 | 752088 | Hydraulic kit | | 1 | MLT 630 TURBO SD E3, MLT 634 120 LSU POWERSHIFT SE E3, MT 732 SD E3, MLT 634 120 LSU SE E3, MLT 731 TURBO SD E3, MLT 731 TURBO SE E3, MLT 735 120 LSU POWERSHIFT S5 E3, MLT 735 TURBO LSU S5 E3, MT 1033 H L TURBO S4 E3, MLT 742 TURBO S4 E3, MLT 735 120 LSU S5 E3, MT 1030 S TURBO S4 E3, MLT 634 TURBO LSU SE E3, MLT 741 120 LSU S5 E3, MT 1030 S S4 E3, MLT 1035 L TURBO LSU S4 E3, MLT 741 120 LSU POWERSHIFT S5 E3, MLT 1035 L TURBO LSU S5 E3, MT 932 SD E3 |

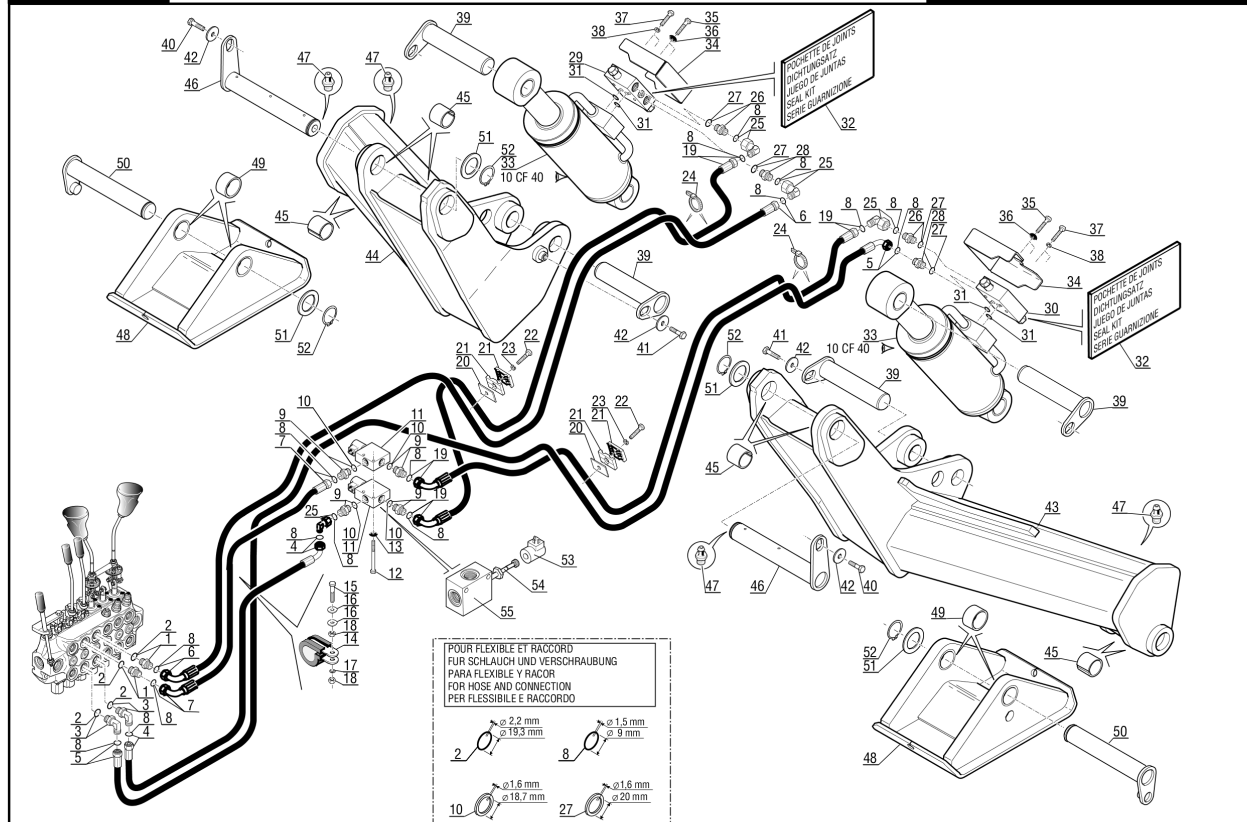
| | | Characteristics | - | Superseded Part Number | Product Type |
|----|--------|----------------------------|---|------------------------|--|
| 0 | 785095 | Service plate lighting kit | | 1 | MT 732 SD E3, MT 1030 S TURBO S4 E3, MT 1030 S S4 E3, MT 1033 H L TURBO S4 E3, MT 932 SD E3 |
| 1 | 230279 | Fastening plate | | 1 | MT 732 SD E3, MT 1030 S TURBO S4 E3, MT 1030 S S4 E3, MT 1033 H L TURBO S4 E3, MT 932 SD E3 |
| 2 | 206083 | Screw | | 1 | MT 732 SD E3, MT 1030 S TURBO S4 E3, MT 1030 S S4 E3, MT 1033 H L TURBO S4 E3, MT 932 SD E3 |
| 3 | 230553 | Screw | | 1 | MT 732 SD E3, MT 1030 S TURBO S4 E3, MT 1030 S S4 E3, MT 1033 H L TURBO S4 E3, MT 932 SD E3 |
| 4 | 78806 | washer | | 1 | MT 732 SD E3, MT 1030 S TURBO S4 E3, MT 1030 S S4 E3, MT 1033 H L TURBO S4 E3, MT 932 SD E3 |
| 5 | 25758 | Engine bonnet bracket | | 1 | MT 732 SD E3, MT 1030 S TURBO S4 E3, MT 1030 S S4 E3, MT 1033 H L TURBO S4 E3, MT 932 SD E3 |
| 6 | 261190 | Wiring harness | | 1 | MT 732 SD E3, MT 1030 S TURBO S4 E3, MT 1030 S S4 E3, MT 1033 H L TURBO S4 E3, MT 932 SD E3 |
| 7 | 227330 | Rear light | | 1 | MT 732 SD E3, MT 1030 S TURBO S4 E3, MT 1030 S S4 E3, MT 1033 H L TURBO S4 E3, MT 932 SD E3 |
| 8 | 676 | Bulb | | 1 | A4132221A, 551447, 55241F212 071, 677, 449151, 5661420540 71, 58529FP21 071, 55625F204 071, 61799, 162275, A12900641 8 |
| 9 | 192310 | Washer | | 1 | MT 732 SD E3, MT 1030 S TURBO S4 E3, MT 1030 S S4 E3, MT 1033 H L TURBO S4 E3, MT 932 SD E3 |
| 10 | 54232 | Nut | | 1 | MT 732 SD E3, MT 1030 S TURBO S4 E3, MT 1030 S S4 E3, MT 1033 H L TURBO S4 E3, MT 932 SD E3 |

| | | Characteristics | - | SupersededPartNumber | Product Type | |
|---|-----------|-----------------|---|----------------------|--------------|--|
| 0 | 697227OPT | LIFTING HOOK | | 1 | 697228 | MT 732 SD E3, MT 1030 S TURBO S4 E3, MT 1030 S S4 E3, MT 1033 H L TURBO S4 E3, MLT 742 TURBO S4 E3, MT 932 SD E3 |
| 1 | 225553 | Towing hook | | 1 | | MT 732 SD E3, MT 1030 S TURBO S4 E3, MT 1030 S S4 E3, MT 1033 H L TURBO S4 E3, MLT 742 TURBO S4 E3, MT 932 SD E3 |
| 2 | 189546 | Towing spindle | | 1 | | MT 732 SD E3, MT 1030 S TURBO S4 E3, MT 1030 S S4 E3, MT 1033 H L TURBO S4 E3, MLT 742 TURBO S4 E3, MT 932 SD E3 |
| 3 | 32963 | dowel | | 1 | | MT 732 SD E3, MT 1030 S TURBO S4 E3, MT 1030 S S4 E3, MT 1033 H L TURBO S4 E3, MLT 742 TURBO S4 E3, MT 932 SD E3 |
| 4 | 227119 | Screw | | 1 | | MT 732 SD E3, MT 1030 S TURBO S4 E3, MT 1030 S S4 E3, MT 1033 H L TURBO S4 E3, MLT 742 TURBO S4 E3, MT 932 SD E3 |
| 5 | 227125 | Tube | | 1 | | MT 732 SD E3, MT 1030 S TURBO S4 E3, MT 1030 S S4 E3, MT 1033 H L TURBO S4 E3, MLT 742 TURBO S4 E3, MT 932 SD E3 |

10 AG 222

HYDRAULIQUE (Circuit stabilisateur)
 HYDRAULIK (Stabilizerkreis)
 HIDRAULICO (Circuito estabilizador)
 HYDRAULIC (Stabilizer circuit)
 IDRAULICO (Circuito stabilizzatore)

MT 1030 S S.4-E3
 MT 1030 S Turbo S.4-E3



14 / 03 / 08 P.A.O. illus

11 CB 1001

ADAPTATION COUPE BATTERIE
UNTERBRECHER ANPASSUNG
ADAPTACION CORTE BATERIA
BREAKER CIRCUIT ADAPTATION
ADATTAMENTO INTERRUOTORE BATTERIA

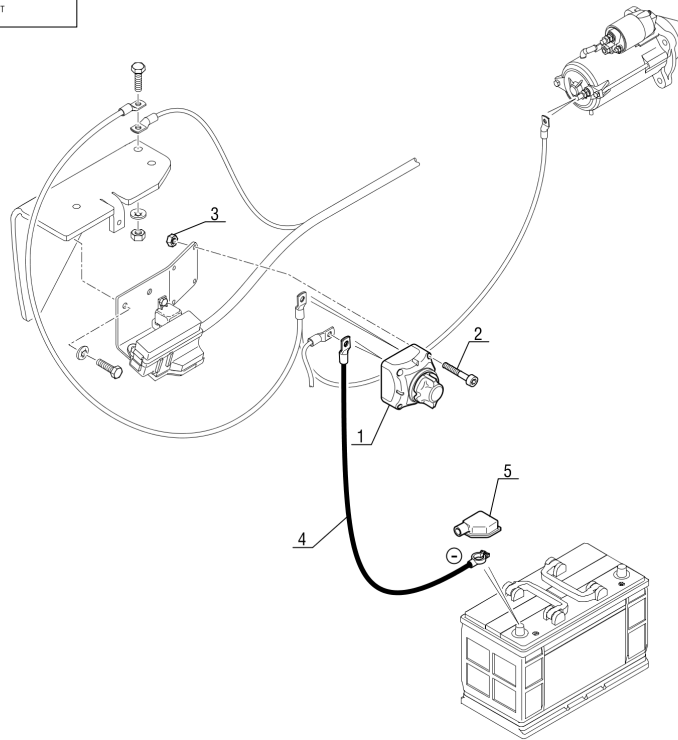
751067mod



POUR LES PIÈCES NON REPÉRÉES, VOIR MONTAGE STANDARD
TEILE OHNE POS.-NR. SIEHE STANDARDMONTAGE
PIEZAS NO IDENTIFICADAS, VER MONTAJE ESTÁNDAR
PLEASE SEE STANDARD INSTALLATION FOR PARTS WITHOUT
ITEMS



VOIR NOMENCLATURE
SIEHE STÜCKLISTE
VER NOMENCLATURA
SEE NOMENCLATURA
VEDERE NOMENCLATURA



P.A.O. ILLUS
25 / 08 / 09

| | | Characteristics | - | Superseded Part Number | Product Type |
|---|--------|-----------------------|---|------------------------|--|
| 1 | 265396 | Plate relay and fuses | | 1 | MT 732 SD E3, MT 1030 S TURBO S4 E3, MT 1030 S S4 E3, MT 928 SD E3, MT 728 SD E3, MT 932 SD E3 |
| 2 | 314023 | Warning light's panel | | 1 | 265722 MT 732 SD E3, MT 1030 S TURBO S4 E3, MT 1030 S S4 E3, MT 928 SD E3, MT 728 SD E3, MT 932 SD E3 |
| 3 | 272626 | Warning light switch | | 1 | MT 732 SD E3, MT 1030 S TURBO S4 E3, MT 1030 S S4 E3, MT 928 SD E3, MT 728 SD E3, MT 932 SD E3 |
| 4 | 264939 | Lighting switch | | 1 | MT 732 SD E3, MT 1030 S TURBO S4 E3, MT 1030 S S4 E3, MT 928 SD E3, MT 728 SD E3, MT 932 SD E3 |
| 5 | 187706 | Diode | | 1 | MT 732 SD E3, MT 1030 S TURBO S4 E3, MT 1030 S S4 E3, MT 928 SD E3, MT 728 SD E3, MT 932 SD E3 |

| Catalogue : 289905MOD | | | Qté-Menge-Cant-Qty-Q.ta | | | | | | | | | | | | | | | | | | | |
|-----------------------------------|--|---|---|---|---|---|---|---|---|---|-----|----|----|----|----|----|----|----|----|----|----|----|
| | | | 8 AD | | | | | | | | 212 | | | | | | | | | M | | |
| Rep Hinw Fig Item Rif | Numéro Teil-Nr Numero Part-Nr | Désignation Bezeichnung Description Descrizione | 1 | 2 | 3 | 4 | 5 | 6 | 7 | 8 | 9 | 10 | 11 | 12 | 13 | 14 | 15 | 16 | 17 | 18 | 19 | 20 |
| 4 | | CIRCUIT CHAUFFAGE ERHITZKREIS CIRCUITO CALDEO HEATING CIRCUIT RISCALDAMENTO | 1- 289905MOD 11- 2- 12- 3- 13- 4- 14- 5- 15- 6- 16- 7- 17- 8- 18- 9- 19- 10- 20- | | | | | | | | | | | | | | | | | | | |
| 35 | 604700 | Presse étoupe (Métal M2) - Stopfbüchse Drensastoppas - Packing box Premistoppa - | 1 | | | | | | | | | | | | | | | | | | | |
| 36 | 564068 | Câble de commande (Chauffage) - Steuerseil (Erhitzen) Cable de mando (Caldeo) - Control cable (Heating) Cava di ordinazione (Riscaldamento) | 1 | | | | | | | | | | | | | | | | | | | |
| 37 | 746248 | Boîtier de commande complet - Kompletter antriebsgehäuse Carter de mando completo - Complete driving housing Scatola di comando completo - | 1 | | | | | | | | | | | | | | | | | | | |
| 38 | 746247 | Faisceau - Kabelbaum Harz - Wiring harness Fascio - | 1 | | | | | | | | | | | | | | | | | | | |
| 39 | 564071 | Clip - Klammer Clip - Clip Fermaglio - | 1 | | | | | | | | | | | | | | | | | | | |
| 40 | 225052 | Filtre chauffage - Erhitzen filter Filtro caldeo - Heating filter Filtro riscaldamento - | 1 | | | | | | | | | | | | | | | | | | | |
| 41 | 225053 | Vis FBZ, SF3, 5-13-C-2M12/NOIRE - Schraube Tornillo - Screw Vite - | 4 | | | | | | | | | | | | | | | | | | | |
| 42 | 564258 | Conduite d'air - Luftleitung Conducción de aire - Air pipe Tubuletura di aera - | 1 | | | | | | | | | | | | | | | | | | | |
| 43 | 600458 | Attache - Klammer Atadura - Clip Innasto - | 1 | | | | | | | | | | | | | | | | | | | |
| 44 | 265229 | Chauffage complet - Kompletter Erhitzen Caldeo completo - Complete heating Riscaldamento completo - | 1 | | | | | | | | | | | | | | | | | | | |

9/07/2010

| | | Characteristics | | - | Superseded Part Number | Product Type |
|---|--------|--------------------|---------------------|---|------------------------|---|
| 0 | 751060 | Pneumatic seat kit | | 1 | | MT 732 SD E3, MT 1030 S TURBO S4 E3, MT 1030 S S4 E3, MT 1033 H L TURBO S4 E3, MT 932 SD E3 |
| 1 | 232427 | Wiring harness | | 1 | | MT 732 SD E3, MT 1030 S TURBO S4 E3, MT 1030 S S4 E3, MT 1033 H L TURBO S4 E3, MT 932 SD E3 |
| 2 | 252999 | Complete seat | | 1 | | MT 732 SD E3, MT 1030 S TURBO S4 E3, MT 1030 S S4 E3, MT 1033 H L TURBO S4 E3, MT 932 SD E3 |
| 3 | 42347 | Screw | H,M 8- 20-8.8-ZN8/C | 1 | | MT 732 SD E3, MT 1030 S TURBO S4 E3, MT 1030 S S4 E3, MT 1033 H L TURBO S4 E3, MT 932 SD E3 |
| 4 | 42325 | Washer | W 8 ZN | 1 | | MT 732 SD E3, MT 1030 S TURBO S4 E3, MT 1030 S S4 E3, MT 1033 H L TURBO S4 E3, MT 932 SD E3 |
| 5 | 21979 | Clamp | | 1 | | MT 732 SD E3, MT 1030 S TURBO S4 E3, MT 1030 S S4 E3, MT 1033 H L TURBO S4 E3, MT 932 SD E3 |
| 6 | 225186 | Fuse | | 1 | | MT 732 SD E3, MT 1030 S TURBO S4 E3, MT 1030 S S4 E3, MT 1033 H L TURBO S4 E3, MT 932 SD E3 |

_CIRCUIT - HARNESS

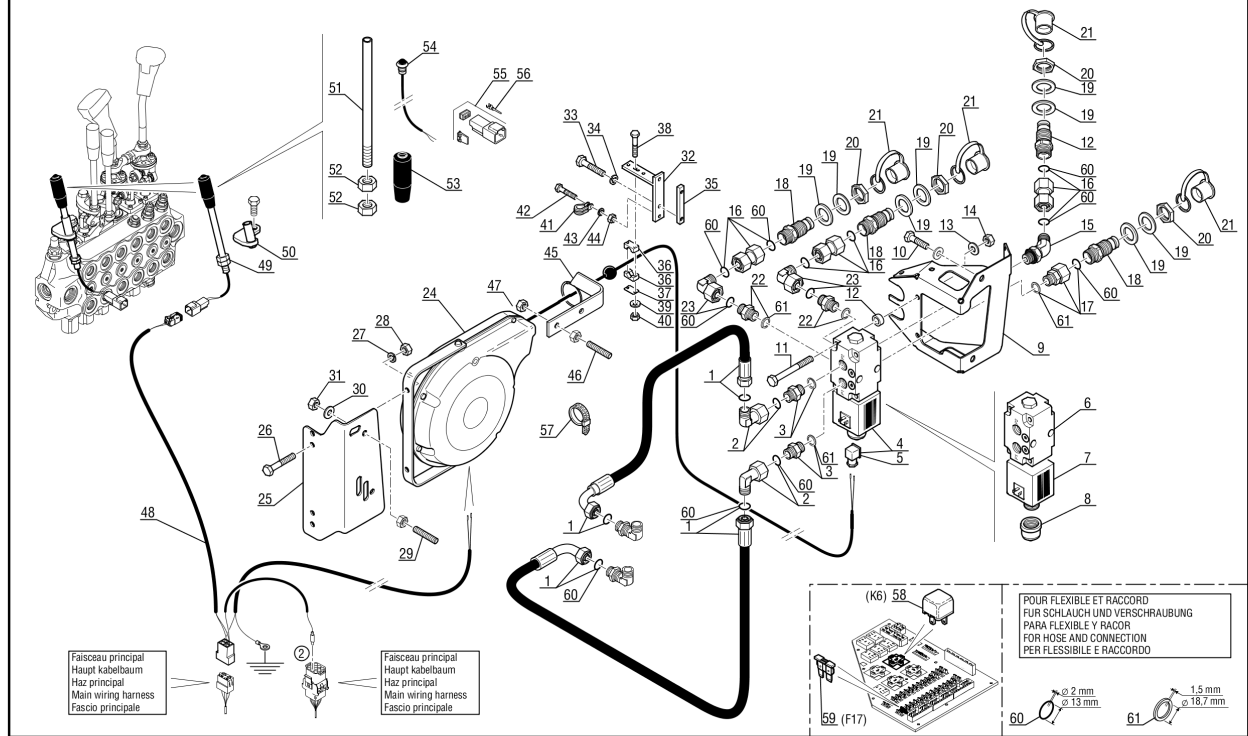
HYDRAULIQUE (Electrovalve - Tête de flèche)
 HYDRAULIK (Electroventil - Auslegerkopf)
 HIDRAULICO (Electrovalvula - Cabeza de aguilon)
 IDRAULICO (Electrovalve - Boom head)
 IDRAULICO (Elettrovalvola - Testa al braccio)

10 AF 754

751230mod

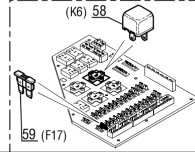
⚠ POUR LES PIÈCES NON RÉPÉRÉES, VOIR MONTAGE STANDARD
 TEILE OHNE POS.-NR. SIEHE STANDARDMONTAGE
 PIEZAS NO IDENTIFICADAS, VER MONTAJE ESTÁNDAR
 PLEASE SEE STANDARD INSTALLATION FOR PARTS WITHOUT ITEMS

⚠ VOIR NOMENCLATURE *
 SIEHE STÜCKLISTE *
 VER NOMENCLATURA *
 SEE NOMENCLATURE *
 VEDERE NOMENCLATURA *



Faisceau principal
 Haupt kabelbaum
 Haz principal
 Main wiring harness
 Fascio principale

Faisceau principal
 Haupt kabelbaum
 Haz principal
 Main wiring harness
 Fascio principale



POUR FLEXIBLE ET RACCORD
 FÜR SCHLAUCH UND VERSCHRAUBUNG
 PARA FLEXIBLE Y RACOR
 FOR HOSE AND CONNECTION
 PER FLESSIBILE E RACCORDO

2 mm
 13 mm
 1.5 mm
 18.7 mm

_CIRCUIT - HARNESS

DECOMPRESSION DE LA LIGNE ACCESSOIRE (E.C.S)
DRUCKABBAN IN DER ZUSATZHYDRAULIK (E.C.S)
DESCOMPRESION DE LA LINEA ACCESORIO (E.C.S)
ACCESSORY LINE DECOMPRESSION (E.C.S)
DECOMPRESIONE LINEA ACCESSORIO (E.C.S)

10 AF 705

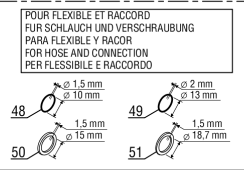
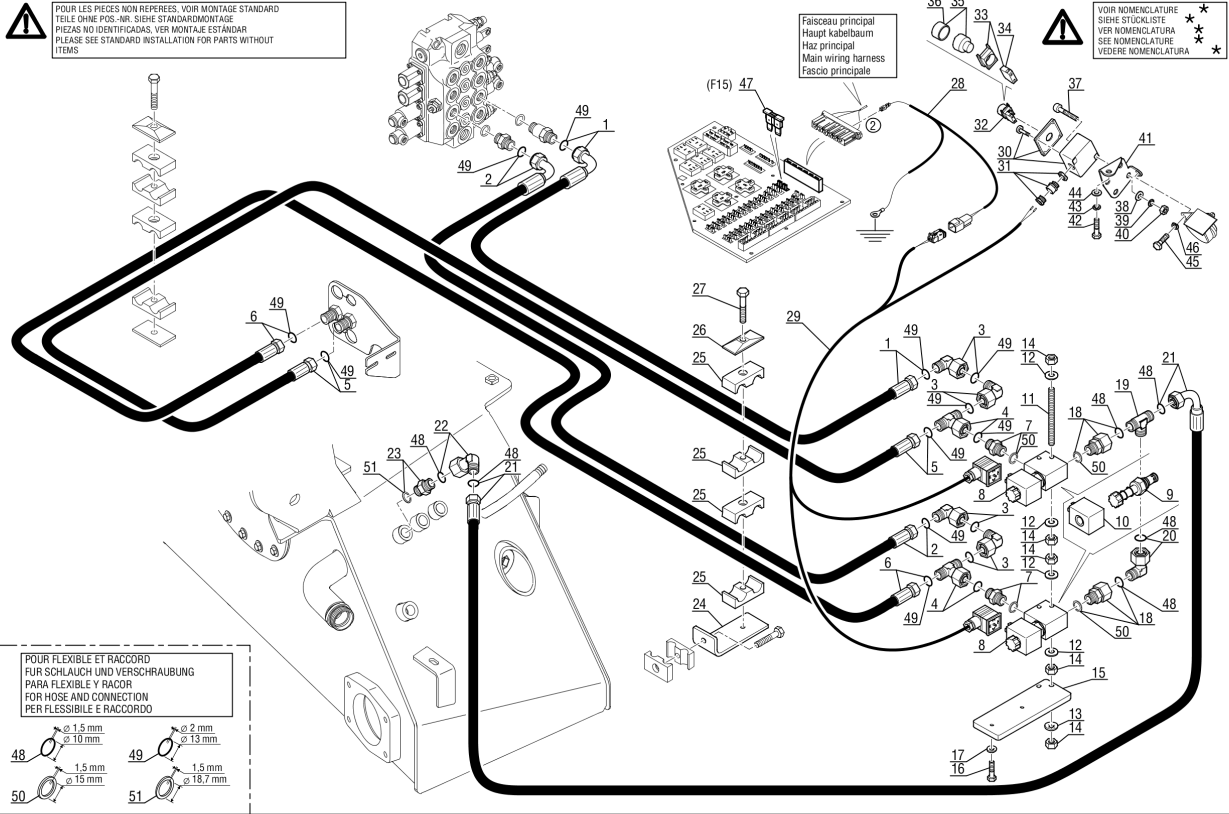
752102mod



POUR LES PIÈCES NON REPÉRÉES, VOIR MONTAGE STANDARD
TEILE OHNE POS.-NR. SIEHE STANDARDMONTAGE
PIEZAS NO IDENTIFICADAS, VER MONTAJE ESTÁNDAR
PLEASE SEE STANDARD INSTALLATION FOR PARTS WITHOUT
ITEMS



VOIR NOMENCLATURE
SIEHE STÜCKLISTE
VER NOMENCLATURA
SEE NOMENCLATURE
VEDERE NOMENCLATURA



22 / 10 / 09 P.A.O. illus

| | | Characteristics | - | Superseded Part Number | Product Type |
|----|--------|-----------------|--------|------------------------|--|
| 45 | 54951 | Screw | | 1 | MLT 630 TURBO SD E3, MLT 634 120 LSU POWERSHIFT SE E3, MT 732 SD E3, MLT 634 120 LSU SE E3, MLT 731 TURBO SD E3, MLT 731 TURBO SE E3, MLT 735 120 LSU POWERSHIFT S5 E3, MLT 735 TURBO LSU S5 E3, MT 1033 H L TURBO S4 E3, MLT 742 TURBO S4 E3, MLT 735 120 LSU S5 E3, MT 1030 S TURBO S4 E3, MLT 634 TURBO LSU SE E3, MLT 741 120 LSU S5 E3, MT 1030 S S4 E3, MLT 1035 L TURBO LSU S4 E3, MLT 741 120 LSU POWERSHIFT S5 E3, MLT 1035 L TURBO LSU S5 E3, MT 932 SD E3 |
| 46 | 42325 | Washer | W 8 ZN | 1 | MLT 630 TURBO SD E3, MLT 634 120 LSU POWERSHIFT SE E3, MT 732 SD E3, MLT 634 120 LSU SE E3, MLT 731 TURBO SD E3, MLT 731 TURBO SE E3, MLT 735 120 LSU POWERSHIFT S5 E3, MLT 735 TURBO LSU S5 E3, MT 1033 H L TURBO S4 E3, MLT 742 TURBO S4 E3, MLT 735 120 LSU S5 E3, MT 1030 S TURBO S4 E3, MLT 634 TURBO LSU SE E3, MLT 741 120 LSU S5 E3, MT 1030 S S4 E3, MLT 1035 L TURBO LSU S4 E3, MLT 741 120 LSU POWERSHIFT S5 E3, MLT 1035 L TURBO LSU S5 E3, MT 932 SD E3 |
| 47 | 177739 | Fuse | | 1 | 733733, 8098276003 71, 490292, A4193607A, 473077, 821375 MLT 630 TURBO SD E3, MLT 634 120 LSU POWERSHIFT SE E3, MT 732 SD E3, MLT 634 120 LSU SE E3, MLT 731 TURBO SD E3, MLT 731 TURBO SE E3, MLT 735 120 LSU POWERSHIFT S5 E3, MLT 735 TURBO LSU S5 E3, MT 1033 H L TURBO S4 E3, MLT 742 TURBO S4 E3, MLT 735 120 LSU S5 E3, MT 1030 S TURBO S4 E3, MLT 634 TURBO LSU SE E3, MLT 741 120 LSU S5 E3, MT 1030 S S4 E3, MLT 1035 L TURBO LSU S4 E3, MLT 741 120 LSU POWERSHIFT S5 E3, MLT 1035 L TURBO LSU S5 E3, MT 932 SD E3 |
| 48 | 190874 | "0" ring | | 1 | MLT 630 TURBO SD E3, MLT 634 120 LSU POWERSHIFT SE E3, MT 732 SD E3, MLT 634 120 LSU SE E3, MLT 731 TURBO SD E3, MLT 731 TURBO SE E3, MLT 735 120 LSU POWERSHIFT S5 E3, MLT 735 TURBO LSU S5 E3, MT 1033 H L TURBO S4 E3, MLT 742 TURBO S4 E3, MLT 735 120 LSU S5 E3, MT 1030 S TURBO S4 E3, MLT 634 TURBO LSU SE E3, MLT 741 120 LSU S5 E3, MT 1030 S S4 E3, MLT 1035 L TURBO LSU S4 E3, MLT 741 120 LSU POWERSHIFT S5 E3, MLT 1035 L TURBO LSU S5 E3, MT 932 SD E3 |
| 49 | 219457 | "0" ring | | 1 | MLT 630 TURBO SD E3, MLT 634 120 LSU POWERSHIFT SE E3, MT 732 SD E3, MLT 634 120 LSU SE E3, MLT 731 TURBO SD E3, MLT 731 TURBO SE E3, MLT 735 120 LSU POWERSHIFT S5 E3, MLT 735 TURBO LSU S5 E3, MT 1033 H L TURBO S4 E3, MLT 742 TURBO S4 E3, MLT 735 120 LSU S5 E3, MT 1030 S TURBO S4 E3, MLT 634 TURBO LSU SE E3, MLT 741 120 LSU S5 E3, MT 1030 S S4 E3, MLT 1035 L TURBO LSU S4 E3, MLT 741 120 LSU POWERSHIFT S5 E3, MLT 1035 L TURBO LSU S5 E3, MT 932 SD E3 |

_CIRCUIT - HARNESS

10 AF 771

COUPURE MOUVEMENTS : SIMPLE
 UNTERBRECHUNG GETRIEBE : EINFACH
 CORTE MOVIMIENTO : SIMPLE
 MOVEMENTS CUT OUT : SINGLE
 ARRESTO I MOVIMENTI : SEMPLICE

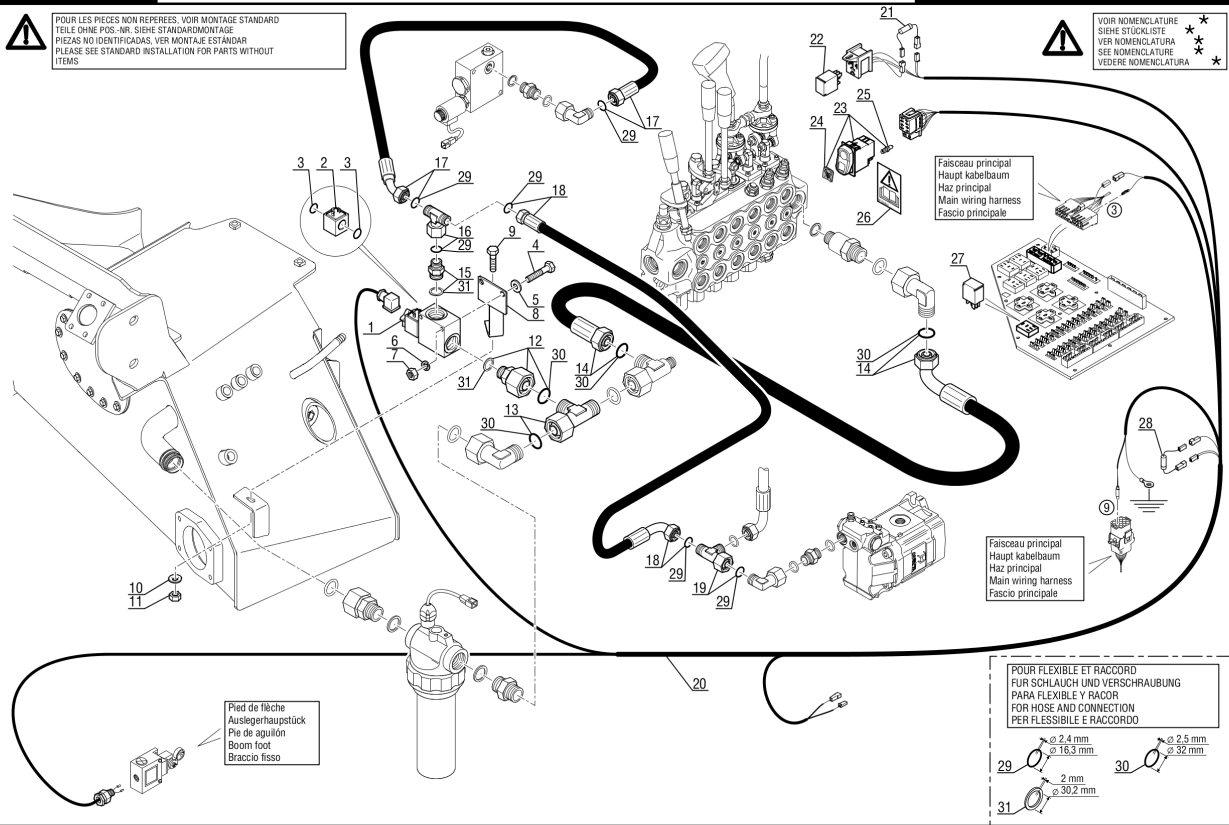
752459mod



POUR LES PIÈCES NON RÉPÉRÉES, VOIR MONTAGE STANDARD
 TEILE OHNE POS.-NR. SIEHE STANDARDMONTAGE
 PIEZAS NO IDENTIFICADAS, VER MONTAJE ESTÁNDAR
 PLEASE SEE STANDARD INSTALLATION FOR PARTS WITHOUT
 ITEMS

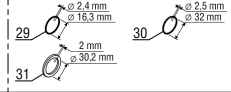


VOIR NOMENCLATURE
 SIEHE STÜCKLISTE
 VER NOMENCLATURA
 SEE NOMENCLATURE
 VEDERE NOMENCLATURA



Pied de flèche
 Auslegerhauptstück
 Pie de aguilón
 Boom foot
 Braccio fisso

POUR FLEXIBLE ET RACCORDE
 FÜR SCHLAUCH UND VERSCHRÄUBUNG
 PARA FLEXIBLE Y RACOR
 FOR HOSE AND CONNECTION
 PER FLESSIBILE E RACCORDO



| | | Characteristics | - | SupersededPartNumber | Product Type |
|---|--------|-----------------|-----------|----------------------|--|
| 5 | 548870 | Solenoid | | 1 | MLT 630 TURBO SD E3, MLT 634 120 LSU POWERSHIFT SE E3, MT 732 SD E3, MLT 634 120 LSU SE E3, MLT 731 TURBO SD E3, MLT 731 TURBO SE E3, MLT 735 120 LSU POWERSHIFT S5 E3, MLT 735 TURBO LSU S5 E3, MT 1033 H L TURBO S4 E3, MLT 742 TURBO S4 E3, MLT 735 120 LSU S5 E3, MT 1030 S TURBO S4 E3, MLT 634 TURBO LSU SE E3, MLT 741 120 LSU S5 E3, MT 1030 S S4 E3, MLT 1035 L TURBO LSU S4 E3, MLT 741 120 LSU POWERSHIFT S5 E3, MLT 1035 L TURBO LSU S5 E3, MT 932 SD E3 |
| 6 | 218413 | Screwed spindle | | 1 | MLT 630 TURBO SD E3, MLT 634 120 LSU POWERSHIFT SE E3, MT 732 SD E3, MLT 634 120 LSU SE E3, MLT 731 TURBO SD E3, MLT 731 TURBO SE E3, MLT 735 120 LSU POWERSHIFT S5 E3, MLT 735 TURBO LSU S5 E3, MT 1033 H L TURBO S4 E3, MLT 742 TURBO S4 E3, MLT 735 120 LSU S5 E3, MT 1030 S TURBO S4 E3, MLT 634 TURBO LSU SE E3, MLT 741 120 LSU S5 E3, MT 1030 S S4 E3, MLT 1035 L TURBO LSU S4 E3, MLT 741 120 LSU POWERSHIFT S5 E3, MLT 1035 L TURBO LSU S5 E3, MT 932 SD E3 |
| 7 | 459749 | Washer | | 1 | MLT 630 TURBO SD E3, MLT 634 120 LSU POWERSHIFT SE E3, MT 732 SD E3, MLT 634 120 LSU SE E3, MLT 731 TURBO SD E3, MLT 731 TURBO SE E3, MLT 735 120 LSU POWERSHIFT S5 E3, MLT 735 TURBO LSU S5 E3, MT 1033 H L TURBO S4 E3, MLT 742 TURBO S4 E3, MLT 735 120 LSU S5 E3, MT 1030 S TURBO S4 E3, MLT 634 TURBO LSU SE E3, MLT 741 120 LSU S5 E3, MT 1030 S S4 E3, MLT 1035 L TURBO LSU S4 E3, MLT 741 120 LSU POWERSHIFT S5 E3, MLT 1035 L TURBO LSU S5 E3, MT 932 SD E3 |
| 8 | 25714 | Nut | H ,M 6 ZN | 1 | MLT 630 TURBO SD E3, MLT 634 120 LSU POWERSHIFT SE E3, MT 732 SD E3, MLT 634 120 LSU SE E3, MLT 731 TURBO SD E3, MLT 731 TURBO SE E3, MLT 735 120 LSU POWERSHIFT S5 E3, MLT 735 TURBO LSU S5 E3, MT 1033 H L TURBO S4 E3, MLT 742 TURBO S4 E3, MLT 735 120 LSU S5 E3, MT 1030 S TURBO S4 E3, MLT 634 TURBO LSU SE E3, MLT 741 120 LSU S5 E3, MT 1030 S S4 E3, MLT 1035 L TURBO LSU S4 E3, MLT 741 120 LSU POWERSHIFT S5 E3, MLT 1035 L TURBO LSU S5 E3, MT 932 SD E3 |
| 9 | 246977 | Bracket | | 1 | MLT 630 TURBO SD E3, MLT 634 120 LSU POWERSHIFT SE E3, MT 732 SD E3, MLT 634 120 LSU SE E3, MLT 731 TURBO SD E3, MLT 731 TURBO SE E3, MLT 735 120 LSU POWERSHIFT S5 E3, MLT 735 TURBO LSU S5 E3, MT 1033 H L TURBO S4 E3, MLT 742 TURBO S4 E3, MLT 735 120 LSU S5 E3, MT 1030 S TURBO S4 E3, MLT 634 TURBO LSU SE E3, MLT 741 120 LSU S5 E3, MT 1030 S S4 E3, MLT 1035 L TURBO LSU S4 E3, MLT 741 120 LSU POWERSHIFT S5 E3, MLT 1035 L TURBO LSU S5 E3, MT 932 SD E3 |

| | | Characteristics | - | Superseded Part Number | Product Type |
|----|--------|-------------------------------|---------------------|------------------------|--|
| 1 | 79126 | Stop switch | | 1 | MT 1030 S TURBO S4 E3, MT 1030 S S4 E3 |
| 2 | 226656 | Transmission cut-off switch | | 1 | MT 1030 S TURBO S4 E3, MT 1030 S S4 E3 |
| 3 | 60765 | Screw | | 2 | MT 1030 S TURBO S4 E3, MT 1030 S S4 E3 |
| 4 | 78806 | washer | | 2 | MT 1030 S TURBO S4 E3, MT 1030 S S4 E3 |
| 5 | 25758 | Engine bonnet bracket | | 2 | MT 1030 S TURBO S4 E3, MT 1030 S S4 E3 |
| 6 | 224759 | Revolving light | | 1 | MT 1030 S TURBO S4 E3, MT 1030 S S4 E3 |
| 7 | 466247 | Bulb | | 1 | MT 1030 S TURBO S4 E3, MT 1030 S S4 E3 |
| 8 | 233341 | junction | | 1 | MT 1030 S TURBO S4 E3, MT 1030 S S4 E3 |
| 9 | 202731 | Screw | | 2 | MT 1030 S TURBO S4 E3, MT 1030 S S4 E3 |
| 10 | 229564 | Washer | | 2 | MT 1030 S TURBO S4 E3, MT 1030 S S4 E3 |
| 11 | 20125 | Horn | | 1 | MT 1030 S TURBO S4 E3, MT 1030 S S4 E3 |
| 12 | 54951 | Screw | | 1 | MT 1030 S TURBO S4 E3, MT 1030 S S4 E3 |
| 13 | 42325 | Washer | W 8 ZN | 1 | MT 1030 S TURBO S4 E3, MT 1030 S S4 E3 |
| 14 | 58528 | Nut | H M8 ZN | 1 | MT 1030 S TURBO S4 E3, MT 1030 S S4 E3 |
| 15 | 279812 | Switch | | 1 | 210792, 276426, 279810 MT 1030 S TURBO S4 E3, MT 1030 S S4 E3 |
| 16 | 225309 | Switch bracket | | 1 | MT 1030 S TURBO S4 E3, MT 1030 S S4 E3 |
| 17 | 57771 | Screw | | 2 | MT 1030 S TURBO S4 E3, MT 1030 S S4 E3 |
| 18 | 167981 | Screw | | 2 | MT 1030 S TURBO S4 E3, MT 1030 S S4 E3 |
| 19 | 78806 | washer | | 2 | MT 1030 S TURBO S4 E3, MT 1030 S S4 E3 |
| 20 | 256665 | R.H. front headlight bracket | | 1 | MT 1030 S TURBO S4 E3, MT 1030 S S4 E3 |
| 21 | 42347 | Screw | H,M 8- 20-8.8-ZN8/C | 4 | MT 1030 S TURBO S4 E3, MT 1030 S S4 E3 |
| 22 | 63351 | Washer | JZC 8 CAD.BICH | 4 | MT 1030 S TURBO S4 E3, MT 1030 S S4 E3 |
| 23 | 265415 | Complete R.H. front headlight | | 1 | MT 1030 S TURBO S4 E3, MT 1030 S S4 E3 |
| 24 | 265417 | Complete R.H. front headlight | | 1 | MT 1030 S TURBO S4 E3, MT 1030 S S4 E3 |
| 25 | 265415 | Complete R.H. front headlight | | 1 | MT 1030 S TURBO S4 E3, MT 1030 S S4 E3 |
| 26 | 265417 | Complete R.H. front headlight | | 1 | MT 1030 S TURBO S4 E3, MT 1030 S S4 E3 |
| 27 | 747039 | Front direction lights | | 2 | MT 1030 S TURBO S4 E3, MT 1030 S S4 E3 |

| | | Characteristics | - | Superseded Part Number | Product Type |
|----|--------|-----------------------------|-------------|------------------------|--|
| 1 | 265405 | Brake pedal | | 1 | MT 1030 S TURBO S4 E3, MT 1030 S S4 E3 |
| 2 | 172569 | bushing | | 2 | MT 1030 S TURBO S4 E3, MT 1030 S S4 E3 |
| 4 | 231301 | Brake pedal bracket | | 1 | MT 1030 S TURBO S4 E3, MT 1030 S S4 E3 |
| 5 | 234286 | Articulating pin | | 1 | MT 1030 S TURBO S4 E3, MT 1030 S S4 E3 |
| 6 | 44025 | washer | | 1 | MT 1030 S TURBO S4 E3, MT 1030 S S4 E3 |
| 7 | 202731 | Screw | | 1 | MT 1030 S TURBO S4 E3, MT 1030 S S4 E3 |
| 8 | 44025 | washer | | 1 | MT 1030 S TURBO S4 E3, MT 1030 S S4 E3 |
| 9 | 259946 | Screw | | 1 | MT 1030 S TURBO S4 E3, MT 1030 S S4 E3 |
| 10 | 44807 | Screw | | 2 | MT 1030 S TURBO S4 E3, MT 1030 S S4 E3 |
| 11 | 61676 | Washer | | 2 | MT 1030 S TURBO S4 E3, MT 1030 S S4 E3 |
| 12 | 190427 | spacer | | 1 | MT 1030 S TURBO S4 E3, MT 1030 S S4 E3 |
| 13 | 3212 | Nut | | 1 | MT 1030 S TURBO S4 E3, MT 1030 S S4 E3 |
| 14 | 226656 | Transmission cut-off switch | | 1 | MT 1030 S TURBO S4 E3, MT 1030 S S4 E3 |
| 15 | 60765 | Screw | | 2 | MT 1030 S TURBO S4 E3, MT 1030 S S4 E3 |
| 16 | 78806 | washer | | 2 | MT 1030 S TURBO S4 E3, MT 1030 S S4 E3 |
| 17 | 25758 | Engine bonnet bracket | | 2 | MT 1030 S TURBO S4 E3, MT 1030 S S4 E3 |
| 18 | 5549 | Complete fork joint | | 1 | MT 1030 S TURBO S4 E3, MT 1030 S S4 E3 |
| 19 | 4350 | Pin | | 1 | MT 1030 S TURBO S4 E3, MT 1030 S S4 E3 |
| 20 | 29437 | Washer | | 1 | MT 1030 S TURBO S4 E3, MT 1030 S S4 E3 |
| 21 | 61344 | Pin | | 1 | MT 1030 S TURBO S4 E3, MT 1030 S S4 E3 |
| 22 | 219835 | Master cylinder pusher | | 1 | MT 1030 S TURBO S4 E3, MT 1030 S S4 E3 |
| 23 | 56354 | Nut | H ,M10 ZN | 1 | MT 1030 S TURBO S4 E3, MT 1030 S S4 E3 |
| 24 | 80308 | spring | | 1 | MT 1030 S TURBO S4 E3, MT 1030 S S4 E3 |
| 25 | 231295 | Master cylinder | | 1 | MT 1030 S TURBO S4 E3, MT 1030 S S4 E3 |
| 26 | 601204 | Repair kit | | 1 | MT 1030 S TURBO S4 E3, MT 1030 S S4 E3 |
| 27 | 57446 | Screw | | 2 | MT 1030 S TURBO S4 E3, MT 1030 S S4 E3 |
| 28 | 61674 | Washer | M8 ZN12C/FE | 1 | MT 1030 S TURBO S4 E3, MT 1030 S S4 E3 |

| | | Characteristics | - | Superseded Part Number | Product Type |
|---|--------|---------------------------|---------------------|------------------------|--|
| 5 | 265421 | guard | | 1 | MLT 630 TURBO SD E3, MLT 634 120 LSU POWERSHIFT SE E3, MT 732 SD E3, MLT 634 120 LSU SE E3, MLT 731 TURBO SD E3, MLT 731 TURBO SE E3, MLT 735 120 LSU POWERSHIFT S5 E3, MLT 735 TURBO LSU S5 E3, MT 1033 H L TURBO S4 E3, MLT 742 TURBO S4 E3, MLT 735 120 LSU S5 E3, MT 1030 S TURBO S4 E3, MLT 634 TURBO LSU SE E3, MLT 741 120 LSU S5 E3, MT 1030 S S4 E3, MLT 1035 L TURBO LSU S4 E3, MLT 741 120 LSU POWERSHIFT S5 E3, MLT 1035 L TURBO LSU S5 E3, MT 932 SD E3 |
| 6 | 265718 | Working headlight bracket | | 1 | MLT 630 TURBO SD E3, MLT 634 120 LSU POWERSHIFT SE E3, MT 732 SD E3, MLT 634 120 LSU SE E3, MLT 731 TURBO SD E3, MLT 731 TURBO SE E3, MLT 735 120 LSU POWERSHIFT S5 E3, MLT 735 TURBO LSU S5 E3, MT 1033 H L TURBO S4 E3, MLT 742 TURBO S4 E3, MLT 735 120 LSU S5 E3, MT 1030 S TURBO S4 E3, MLT 634 TURBO LSU SE E3, MLT 741 120 LSU S5 E3, MT 1030 S S4 E3, MLT 1035 L TURBO LSU S4 E3, MLT 741 120 LSU POWERSHIFT S5 E3, MLT 1035 L TURBO LSU S5 E3, MT 932 SD E3 |
| 7 | 202418 | Screw | CBHC M8 25 ZN NOIRE | 1 | MLT 630 TURBO SD E3, MLT 634 120 LSU POWERSHIFT SE E3, MT 732 SD E3, MLT 634 120 LSU SE E3, MLT 731 TURBO SD E3, MLT 731 TURBO SE E3, MLT 735 120 LSU POWERSHIFT S5 E3, MLT 735 TURBO LSU S5 E3, MT 1033 H L TURBO S4 E3, MLT 742 TURBO S4 E3, MLT 735 120 LSU S5 E3, MT 1030 S TURBO S4 E3, MLT 634 TURBO LSU SE E3, MLT 741 120 LSU S5 E3, MT 1030 S S4 E3, MLT 1035 L TURBO LSU S4 E3, MLT 741 120 LSU POWERSHIFT S5 E3, MLT 1035 L TURBO LSU S5 E3, MT 932 SD E3 |
| 8 | 42325 | Washer | W 8 ZN | 1 | MLT 630 TURBO SD E3, MLT 634 120 LSU POWERSHIFT SE E3, MT 732 SD E3, MLT 634 120 LSU SE E3, MLT 731 TURBO SD E3, MLT 731 TURBO SE E3, MLT 735 120 LSU POWERSHIFT S5 E3, MLT 735 TURBO LSU S5 E3, MT 1033 H L TURBO S4 E3, MLT 742 TURBO S4 E3, MLT 735 120 LSU S5 E3, MT 1030 S TURBO S4 E3, MLT 634 TURBO LSU SE E3, MLT 741 120 LSU S5 E3, MT 1030 S S4 E3, MLT 1035 L TURBO LSU S4 E3, MLT 741 120 LSU POWERSHIFT S5 E3, MLT 1035 L TURBO LSU S5 E3, MT 932 SD E3 |
| 9 | 3212 | Nut | | 1 | MLT 630 TURBO SD E3, MLT 634 120 LSU POWERSHIFT SE E3, MT 732 SD E3, MLT 634 120 LSU SE E3, MLT 731 TURBO SD E3, MLT 731 TURBO SE E3, MLT 735 120 LSU POWERSHIFT S5 E3, MLT 735 TURBO LSU S5 E3, MT 1033 H L TURBO S4 E3, MLT 742 TURBO S4 E3, MLT 735 120 LSU S5 E3, MT 1030 S TURBO S4 E3, MLT 634 TURBO LSU SE E3, MLT 741 120 LSU S5 E3, MT 1030 S S4 E3, MLT 1035 L TURBO LSU S4 E3, MLT 741 120 LSU POWERSHIFT S5 E3, MLT 1035 L TURBO LSU S5 E3, MT 932 SD E3 |

| | | Characteristics | - | Superseded Part Number | Product Type |
|----|--------|-----------------|---|------------------------|---|
| 22 | 54568 | Rivet | | 4 | MLT 630 TURBO SD E3, MLT 634 120 LSU SD E3, MLT 731 TURBO A SD E3, MT 732 SD E3, MLT 742 H TURBO LSU S4 E3, MLT 630 TURBO A SD E3, MLT 742 LSU TURBO A S4 E3, MLT 735 120 LSU POWERSHIFT S4 E3, MT 1033 H L TURBO S4 E3, MLT 742 TURBO S4 E3, MLT 634 TURBO LSU SD E3, MLT 1035 L TURBO A LSU S4 E3, MLT 741 120 LSU S4 E3, MLT 741 120 LSU POWERSHIFT S4 E3, MLT 735 120 LSU S4 E3, MT 728 SD E3, MLT 634 120 LSU POWERSHIFT SD E3, MLT 731 TURBO SD E3, MT 928 SD E3, MLT 630 TURBO A LSU SD E3, MT 1030 S TURBO A S4 E3, MLT 731 TURBO A LSU SD E3, MT 1030 S S4 E3, MLT 1035 L TURBO LSU S4 E3, MLT 731 TURBO LSU SD E3, MT 932 SD E3 |
| 23 | 746500 | Bracket | | 1 | MLT 630 TURBO SD E3, MLT 634 120 LSU SD E3, MLT 731 TURBO A SD E3, MT 732 SD E3, MLT 742 H TURBO LSU S4 E3, MLT 630 TURBO A SD E3, MLT 742 LSU TURBO A S4 E3, MLT 735 120 LSU POWERSHIFT S4 E3, MT 1033 H L TURBO S4 E3, MLT 742 TURBO S4 E3, MLT 634 TURBO LSU SD E3, MLT 1035 L TURBO A LSU S4 E3, MLT 741 120 LSU S4 E3, MLT 741 120 LSU POWERSHIFT S4 E3, MLT 735 120 LSU S4 E3, MT 728 SD E3, MLT 634 120 LSU POWERSHIFT SD E3, MLT 731 TURBO SD E3, MT 928 SD E3, MLT 630 TURBO A LSU SD E3, MT 1030 S TURBO A S4 E3, MLT 731 TURBO A LSU SD E3, MT 1030 S S4 E3, MLT 1035 L TURBO LSU S4 E3, MLT 731 TURBO LSU SD E3, MT 932 SD E3 |
| 24 | 54568 | Rivet | | 2 | MLT 630 TURBO SD E3, MLT 634 120 LSU SD E3, MLT 731 TURBO A SD E3, MT 732 SD E3, MLT 742 H TURBO LSU S4 E3, MLT 630 TURBO A SD E3, MLT 742 LSU TURBO A S4 E3, MLT 735 120 LSU POWERSHIFT S4 E3, MT 1033 H L TURBO S4 E3, MLT 742 TURBO S4 E3, MLT 634 TURBO LSU SD E3, MLT 1035 L TURBO A LSU S4 E3, MLT 741 120 LSU S4 E3, MLT 741 120 LSU POWERSHIFT S4 E3, MLT 735 120 LSU S4 E3, MT 728 SD E3, MLT 634 120 LSU POWERSHIFT SD E3, MLT 731 TURBO SD E3, MT 928 SD E3, MLT 630 TURBO A LSU SD E3, MT 1030 S TURBO A S4 E3, MLT 731 TURBO A LSU SD E3, MT 1030 S S4 E3, MLT 1035 L TURBO LSU S4 E3, MLT 731 TURBO LSU SD E3, MT 932 SD E3 |
| 25 | 747067 | Cable grommet | | 1 | 749756 MLT 630 TURBO SD E3, MLT 634 120 LSU SD E3, MLT 731 TURBO A SD E3, MT 732 SD E3, MLT 742 H TURBO LSU S4 E3, MLT 630 TURBO A SD E3, MLT 742 LSU TURBO A S4 E3, MLT 735 120 LSU POWERSHIFT S4 E3, MT 1033 H L TURBO S4 E3, MLT 742 TURBO S4 E3, MLT 634 TURBO LSU SD E3, MLT 1035 L TURBO A LSU S4 E3, MLT 741 120 LSU S4 E3, MLT 741 120 LSU POWERSHIFT S4 E3, MLT 735 120 LSU S4 E3, MT 728 SD E3, MLT 634 120 LSU POWERSHIFT SD E3, MLT 731 TURBO SD E3, MT 928 SD E3, MLT 630 TURBO A LSU SD E3, MT 1030 S TURBO A S4 E3, MLT 731 TURBO A LSU SD E3, MT 1030 S S4 E3, MLT 1035 L TURBO LSU S4 E3, MLT 731 TURBO LSU SD E3, MT 932 SD E3 |

| | | Characteristics | - | Superseded Part Number | Product Type |
|----|--------|-------------------------|---|------------------------|--|
| 25 | 564058 | Hose | | 1 | MT 1030 S TURBO S5 E3, MT 732 SD E3, MT 1030 S TURBO S4 E3, MT 732 SE E3, MT-X 732 SD E3, MT 1030 S S4 E3, MT 928 SD E3, MT 728 SD E3, MT-X 1030 S TURBO S4 E3, MT 932 SD E3, MT 932 SE E3 |
| 26 | 564059 | Heating blower valve | | 1 | MT 1030 S TURBO S5 E3, MT 732 SD E3, MT 1030 S TURBO S4 E3, MT 732 SE E3, MT-X 732 SD E3, MT 1030 S S4 E3, MT 928 SD E3, MT 728 SD E3, MT-X 1030 S TURBO S4 E3, MT 932 SD E3, MT 932 SE E3 |
| 27 | 32002 | Nut | | 1 | 2762144MI, 55386, 564060, 127366 MT 1030 S TURBO S5 E3, MT 732 SD E3, MT 1030 S TURBO S4 E3, MT 732 SE E3, MT-X 732 SD E3, MT 1030 S S4 E3, MT 928 SD E3, MT 728 SD E3, MT-X 1030 S TURBO S4 E3, MT 932 SD E3, MT 932 SE E3 |
| 28 | 42349 | Washer | | 1 | MT 1030 S TURBO S5 E3, MT 732 SD E3, MT 1030 S TURBO S4 E3, MT 732 SE E3, MT-X 732 SD E3, MT 1030 S S4 E3, MT 928 SD E3, MT 728 SD E3, MT-X 1030 S TURBO S4 E3, MT 932 SD E3, MT 932 SE E3 |
| 29 | 604699 | Compartment | | 1 | MT 1030 S TURBO S5 E3, MT 732 SD E3, MT 1030 S TURBO S4 E3, MT 732 SE E3, MT-X 732 SD E3, MT 1030 S S4 E3, MT 928 SD E3, MT 728 SD E3, MT-X 1030 S TURBO S4 E3, MT 932 SD E3, MT 932 SE E3 |
| 30 | 564062 | Seal | | 1 | MT 1030 S TURBO S5 E3, MT 732 SD E3, MT 1030 S TURBO S4 E3, MT 732 SE E3, MT-X 732 SD E3, MT 1030 S S4 E3, MT 928 SD E3, MT 728 SD E3, MT-X 1030 S TURBO S4 E3, MT 932 SD E3, MT 932 SE E3 |
| 31 | 564063 | Washer | | 1 | MT 1030 S TURBO S5 E3, MT 732 SD E3, MT 1030 S TURBO S4 E3, MT 732 SE E3, MT-X 732 SD E3, MT 1030 S S4 E3, MT 928 SD E3, MT 728 SD E3, MT-X 1030 S TURBO S4 E3, MT 932 SD E3, MT 932 SE E3 |
| 32 | 564064 | Connection | | 1 | MT 1030 S TURBO S5 E3, MT 732 SD E3, MT 1030 S TURBO S4 E3, MT 732 SE E3, MT-X 732 SD E3, MT 1030 S S4 E3, MT 928 SD E3, MT 728 SD E3, MT-X 1030 S TURBO S4 E3, MT 932 SD E3, MT 932 SE E3 |
| 33 | 564065 | Seal | | 1 | MT 1030 S TURBO S5 E3, MT 732 SD E3, MT 1030 S TURBO S4 E3, MT 732 SE E3, MT-X 732 SD E3, MT 1030 S S4 E3, MT 928 SD E3, MT 728 SD E3, MT-X 1030 S TURBO S4 E3, MT 932 SD E3, MT 932 SE E3 |
| 34 | 564066 | Plug | | 1 | MT 1030 S TURBO S5 E3, MT 732 SD E3, MT 1030 S TURBO S4 E3, MT 732 SE E3, MT-X 732 SD E3, MT 1030 S S4 E3, MT 928 SD E3, MT 728 SD E3, MT-X 1030 S TURBO S4 E3, MT 932 SD E3, MT 932 SE E3 |
| 35 | 604700 | Packing box | | 1 | MT 1030 S TURBO S5 E3, MT 732 SD E3, MT 1030 S TURBO S4 E3, MT 732 SE E3, MT-X 732 SD E3, MT 1030 S S4 E3, MT 928 SD E3, MT 728 SD E3, MT-X 1030 S TURBO S4 E3, MT 932 SD E3, MT 932 SE E3 |
| 36 | 564068 | Control cable (Heating) | | 1 | MT 1030 S TURBO S5 E3, MT 732 SD E3, MT 1030 S TURBO S4 E3, MT 732 SE E3, MT-X 732 SD E3, MT 1030 S S4 E3, MT 928 SD E3, MT 728 SD E3, MT-X 1030 S TURBO S4 E3, MT 932 SD E3, MT 932 SE E3 |

| | | Characteristics | - | Superseded Part Number | Product Type |
|----|--------|---------------------|----------|------------------------|--|
| 10 | 564720 | Sheath | | 1 | MLT 630 TURBO SD E3, MLT 634 120 LSU POWERSHIFT SE E3, MT 732 SD E3, MLT 634 120 LSU SE E3, MLT 731 TURBO SD E3, MLT 731 TURBO SE E3, MLT 735 120 LSU POWERSHIFT S5 E3, MLT 735 TURBO LSU S5 E3, MT 1033 H L TURBO S4 E3, MLT 742 TURBO S4 E3, MLT 735 120 LSU S5 E3, MT 1030 S TURBO S4 E3, MLT 634 TURBO LSU SE E3, MLT 741 120 LSU S5 E3, MT 1030 S S4 E3, MLT 1035 L TURBO LSU S4 E3, MLT 741 120 LSU POWERSHIFT S5 E3, MLT 1035 L TURBO LSU S5 E3, MT 932 SD E3 |
| 11 | 564715 | Bellows | | 1 | MLT 630 TURBO SD E3, MLT 634 120 LSU POWERSHIFT SE E3, MT 732 SD E3, MLT 634 120 LSU SE E3, MLT 731 TURBO SD E3, MLT 731 TURBO SE E3, MLT 735 120 LSU POWERSHIFT S5 E3, MLT 735 TURBO LSU S5 E3, MT 1033 H L TURBO S4 E3, MLT 742 TURBO S4 E3, MLT 735 120 LSU S5 E3, MT 1030 S TURBO S4 E3, MLT 634 TURBO LSU SE E3, MLT 741 120 LSU S5 E3, MT 1030 S S4 E3, MLT 1035 L TURBO LSU S4 E3, MLT 741 120 LSU POWERSHIFT S5 E3, MLT 1035 L TURBO LSU S5 E3, MT 932 SD E3 |
| 12 | 175551 | Pin | 5 X 25 E | 1 | MLT 630 TURBO SD E3, MLT 634 120 LSU POWERSHIFT SE E3, MT 732 SD E3, MLT 634 120 LSU SE E3, MLT 731 TURBO SD E3, MLT 731 TURBO SE E3, MLT 735 120 LSU POWERSHIFT S5 E3, MLT 735 TURBO LSU S5 E3, MT 1033 H L TURBO S4 E3, MLT 742 TURBO S4 E3, MLT 735 120 LSU S5 E3, MT 1030 S TURBO S4 E3, MLT 634 TURBO LSU SE E3, MLT 741 120 LSU S5 E3, MT 1030 S S4 E3, MLT 1035 L TURBO LSU S4 E3, MLT 741 120 LSU POWERSHIFT S5 E3, MLT 1035 L TURBO LSU S5 E3, MT 932 SD E3 |
| 13 | 552742 | Female connector | | 1 | MLT 630 TURBO SD E3, MLT 634 120 LSU POWERSHIFT SE E3, MT 732 SD E3, MLT 634 120 LSU SE E3, MLT 731 TURBO SD E3, MLT 731 TURBO SE E3, MLT 735 120 LSU POWERSHIFT S5 E3, MLT 735 TURBO LSU S5 E3, MT 1033 H L TURBO S4 E3, MLT 742 TURBO S4 E3, MLT 735 120 LSU S5 E3, MT 1030 S TURBO S4 E3, MLT 634 TURBO LSU SE E3, MLT 741 120 LSU S5 E3, MT 1030 S S4 E3, MLT 1035 L TURBO LSU S4 E3, MLT 741 120 LSU POWERSHIFT S5 E3, MLT 1035 L TURBO LSU S5 E3, MT 932 SD E3 |
| 14 | 552472 | Male cable terminal | | 1 | MLT 630 TURBO SD E3, MLT 634 120 LSU POWERSHIFT SE E3, MT 732 SD E3, MLT 634 120 LSU SE E3, MLT 731 TURBO SD E3, MLT 731 TURBO SE E3, MLT 735 120 LSU POWERSHIFT S5 E3, MLT 735 TURBO LSU S5 E3, MT 1033 H L TURBO S4 E3, MLT 742 TURBO S4 E3, MLT 735 120 LSU S5 E3, MT 1030 S TURBO S4 E3, MLT 634 TURBO LSU SE E3, MLT 741 120 LSU S5 E3, MT 1030 S S4 E3, MLT 1035 L TURBO LSU S4 E3, MLT 741 120 LSU POWERSHIFT S5 E3, MLT 1035 L TURBO LSU S5 E3, MT 932 SD E3 |

| | | Characteristics | - | Superseded Part Number | Product Type |
|---|--------|-----------------|---|------------------------|--|
| 5 | 109751 | Half-clamp | | 4 | MLT 630 TURBO SD E3, MLT 634 120 LSU POWERSHIFT SC E2, MLT 634 120 LSU SB E2, MLT 634 120 LSU SD E3, MLT 731 TURBO SC E2, MLT 630 TURBO SB E2, MLT 735 TURBO LSU S5 E3, MLT 742 TURBO S2 E2, MLT 735 120 LSU S6 E3, MLT 634 TURBO LSU SF E3, MLT 634 TURBO LSU SD E3, CT 7-23 TURBO SD E3, MLT 741 120 LSU S4 E3, MLT 630 120 LSU SB E2, MLT 741 120 LSU S6 E3, MLT 741 120 LSU S2 E2, MLT 1035 L TURBO LSU S3 E2, MLT 1035 L TURBO LSU S5 E3, MLT 735 120 LSU S2 E2, MLT 735 120 LSU S4 E3, MLT 731 TURBO LSU SC E2, MLT 634 120 LSU SC E2, MLT 1035 L TURBO LSU S6 E3, MLT 630 TURBO SC E2, MLT 731 TURBO SF E3, MLT 634 120 LSU SE E3, MLT 731 TURBO SD E3, MLT 731 TURBO SB E2, MLT 634 TURBO LSU SB E2, MLT 735 TURBO LSU S6 E3, MLT 731 TURBO LSU SB E2 USA, MLT 742 TURBO S3, MLT 735 120 LSU S5 E3, MLT 634 TURBO LSU SE E3, MLT 634 TURBO LSU SC E2, MLT 731 TURBO LSU SB E2, MLT 741 TURBO LSU S6 E3, CT 7-23 TURBO SC E2, MLT 741 120 LSU POWERSHIFT S3 E2, MLT 741 120 LSU S5 E3, MLT 1035 L TURBO LSU S4 E3, MLT 735 120 LSU S3 E2, MLT 634 120 LSU POWERSHIFT SF E3, MLT 731 TURBO LSU SD E3 |
| 6 | 109752 | Screw | | 8 | MLT 630 TURBO SD E3, MLT 634 120 LSU POWERSHIFT SC E2, MLT 634 120 LSU SB E2, MLT 634 120 LSU SD E3, MLT 731 TURBO SC E2, MLT 630 TURBO SB E2, MLT 735 TURBO LSU S5 E3, MLT 742 TURBO S2 E2, MLT 735 120 LSU S6 E3, MLT 634 TURBO LSU SF E3, MLT 634 TURBO LSU SD E3, CT 7-23 TURBO SD E3, MLT 741 120 LSU S4 E3, MLT 630 120 LSU SB E2, MLT 741 120 LSU S6 E3, MLT 741 120 LSU S2 E2, MLT 1035 L TURBO LSU S3 E2, MLT 1035 L TURBO LSU S5 E3, MLT 735 120 LSU S2 E2, MLT 735 120 LSU S4 E3, MLT 731 TURBO LSU SC E2, MLT 634 120 LSU SC E2, MLT 1035 L TURBO LSU S6 E3, MLT 630 TURBO SC E2, MLT 731 TURBO SF E3, MLT 634 120 LSU SE E3, MLT 731 TURBO SD E3, MLT 731 TURBO SB E2, MLT 634 TURBO LSU SB E2, MLT 735 TURBO LSU S6 E3, MLT 731 TURBO LSU SB E2 USA, MLT 742 TURBO S3, MLT 735 120 LSU S5 E3, MLT 634 TURBO LSU SE E3, MLT 634 TURBO LSU SC E2, MLT 731 TURBO LSU SB E2, MLT 741 TURBO LSU S6 E3, CT 7-23 TURBO SC E2, MLT 741 120 LSU POWERSHIFT S3 E2, MLT 741 120 LSU S5 E3, MLT 1035 L TURBO LSU S4 E3, MLT 735 120 LSU S3 E2, MLT 634 120 LSU POWERSHIFT SF E3, MLT 731 TURBO LSU SD E3 |

| | | Characteristics | - | Superseded Part Number | Product Type |
|----|--------|-----------------|---|------------------------|---|
| 18 | 562483 | spacer | | 1 | MT 732 SC E2, MLT 742 H TURBO LSU S2 E2, MT 732 SB E2, MT 732 SD E3, MLT 630 TURBO SB E2, MLT 731 TURBO SB E2, MLT 634 TURBO LSU SB E2, MLT 742 TURBO S2 E2, MLT 742 TURBO S4 E3, MT 732 TURBO SC E2, MLT 742 TURBO S3 E2, MT 732 SB E2 USA, MT 1030 S TURBO S3 E2, MT 1030 S TURBO S4 E3, MT 1030 S TURBO S2 E2, MT 932 TURBO SC E2, MLT 731 TURBO LSU SB E2, MT 1030 S S3 E2, MT 1030 S S2 E2, MT 1030 S S4 E3, MT 932 SB E2, MT 932 SC E2, MT 932 SD E3 |
| 19 | 477817 | ring nut | | 1 | 107673, A4182411A, X95304012 04, 133570 MT 732 SC E2, MLT 742 H TURBO LSU S2 E2, MT 732 SB E2, MT 732 SD E3, MLT 630 TURBO SB E2, MLT 731 TURBO SB E2, MLT 634 TURBO LSU SB E2, MLT 742 TURBO S2 E2, MLT 742 TURBO S4 E3, MT 732 TURBO SC E2, MLT 742 TURBO S3 E2, MT 732 SB E2 USA, MT 1030 S TURBO S3 E2, MT 1030 S TURBO S4 E3, MT 1030 S TURBO S2 E2, MT 932 TURBO SC E2, MLT 731 TURBO LSU SB E2, MT 1030 S S3 E2, MT 1030 S S2 E2, MT 1030 S S4 E3, MT 932 SB E2, MT 932 SC E2, MT 932 SD E3 |
| 20 | 748145 | ring | | 1 | 107293 MT 732 SC E2, MLT 742 H TURBO LSU S2 E2, MT 732 SB E2, MT 732 SD E3, MLT 630 TURBO SB E2, MLT 731 TURBO SB E2, MLT 634 TURBO LSU SB E2, MLT 742 TURBO S2 E2, MLT 742 TURBO S4 E3, MT 732 TURBO SC E2, MLT 742 TURBO S3 E2, MT 732 SB E2 USA, MT 1030 S TURBO S3 E2, MT 1030 S TURBO S4 E3, MT 1030 S TURBO S2 E2, MT 932 TURBO SC E2, MLT 731 TURBO LSU SB E2, MT 1030 S S3 E2, MT 1030 S S2 E2, MT 1030 S S4 E3, MT 932 SB E2, MT 932 SC E2, MT 932 SD E3 |
| 21 | 107294 | plate | | 1 | MT 732 SC E2, MLT 742 H TURBO LSU S2 E2, MT 732 SB E2, MT 732 SD E3, MLT 630 TURBO SB E2, MLT 731 TURBO SB E2, MLT 634 TURBO LSU SB E2, MLT 742 TURBO S2 E2, MLT 742 TURBO S4 E3, MT 732 TURBO SC E2, MLT 742 TURBO S3 E2, MT 732 SB E2 USA, MT 1030 S TURBO S3 E2, MT 1030 S TURBO S4 E3, MT 1030 S TURBO S2 E2, MT 932 TURBO SC E2, MLT 731 TURBO LSU SB E2, MT 1030 S S3 E2, MT 1030 S S2 E2, MT 1030 S S4 E3, MT 932 SB E2, MT 932 SC E2, MT 932 SD E3 |
| 22 | 563904 | Flange | | 1 | MT 732 SC E2, MLT 742 H TURBO LSU S2 E2, MT 732 SB E2, MT 732 SD E3, MLT 630 TURBO SB E2, MLT 731 TURBO SB E2, MLT 634 TURBO LSU SB E2, MLT 742 TURBO S2 E2, MLT 742 TURBO S4 E3, MT 732 TURBO SC E2, MLT 742 TURBO S3 E2, MT 732 SB E2 USA, MT 1030 S TURBO S3 E2, MT 1030 S TURBO S4 E3, MT 1030 S TURBO S2 E2, MT 932 TURBO SC E2, MLT 731 TURBO LSU SB E2, MT 1030 S S3 E2, MT 1030 S S2 E2, MT 1030 S S4 E3, MT 932 SB E2, MT 932 SC E2, MT 932 SD E3 |
| 23 | 562485 | nut | | 1 | MT 732 SC E2, MLT 742 H TURBO LSU S2 E2, MT 732 SB E2, MT 732 SD E3, MLT 630 TURBO SB E2, MLT 731 TURBO SB E2, MLT 634 TURBO LSU SB E2, MLT 742 TURBO S2 E2, MLT 742 TURBO S4 E3, MT 732 TURBO SC E2, MLT 742 TURBO S3 E2, MT 732 SB E2 USA, MT 1030 S TURBO S3 E2, MT 1030 S TURBO S4 E3, MT 1030 S TURBO S2 E2, MT 932 TURBO SC E2, MLT 731 TURBO LSU SB E2, MT 1030 S S3 E2, MT 1030 S S2 E2, MT 1030 S S4 E3, MT 932 SB E2, MT 932 SC E2, MT 932 SD E3 |

| Characteristics | | | - | Superseded Part Number | Product Type |
|-----------------|--------|------|---|------------------------|--|
| 18 | 894463 | plug | | 1 | MT 732 SC E2, MLT 742 H TURBO LSU S2 E2, MT 732 SB E2, MT 732 SD E3, MLT 630 TURBO SB E2, MLT 731 TURBO SB E2, MLT 634 TURBO LSU SB E2, MLT 742 TURBO S2 E2, MLT 742 TURBO S4 E3, MT 732 TURBO SC E2, MLT 742 TURBO S3 E2, MT 732 SB E2 USA, MT 1030 S TURBO S3 E2, MT 1030 S TURBO S4 E3, MT 1030 S TURBO S2 E2, MT 932 TURBO SC E2, MLT 731 TURBO LSU SB E2, MT 1030 S S3 E2, MT 1030 S S2 E2, MT 1030 S S4 E3, MT 932 SB E2, MT 932 SC E2, MT 932 SD E3 |
| 19 | 894463 | plug | | 1 | MT 732 SC E2, MLT 742 H TURBO LSU S2 E2, MT 732 SB E2, MT 732 SD E3, MLT 630 TURBO SB E2, MLT 731 TURBO SB E2, MLT 634 TURBO LSU SB E2, MLT 742 TURBO S2 E2, MLT 742 TURBO S4 E3, MT 732 TURBO SC E2, MLT 742 TURBO S3 E2, MT 732 SB E2 USA, MT 1030 S TURBO S3 E2, MT 1030 S TURBO S4 E3, MT 1030 S TURBO S2 E2, MT 932 TURBO SC E2, MLT 731 TURBO LSU SB E2, MT 1030 S S3 E2, MT 1030 S S2 E2, MT 1030 S S4 E3, MT 932 SB E2, MT 932 SC E2, MT 932 SD E3 |

| Characteristics | | | - | Superseded Part Number | Product Type |
|-----------------|--------|--------------------------|---|------------------------|--------------|
| 51 | 600682 | Washer | | 8 | 285381MOD |
| 52 | 564679 | Shim | | 1 | 285381MOD |
| 52 | 564680 | Shim | | 1 | 285381MOD |
| 52 | 564681 | Shim | | 1 | 285381MOD |
| 53 | 703528 | screw | | 4 | 285381MOD |
| 55 | 704616 | stud | | 16 | 285381MOD |
| 56 | 729508 | Planet wheel bracket | | 2 | 285381MOD |
| 58 | 706354 | Planet wheel bracket kit | | 2 | 285381MOD |
| 59 | 706355 | Ring gear bracket | | 2 | 285381MOD |
| 60 | 703123 | Wedge | | 1 | 285381MOD |
| 61 | 749017 | Cardan | | 2 | 285381MOD |
| 62 | 749982 | stud bolt | | 16 | 285381MOD |
| 63 | 750337 | nut | | 16 | 285381MOD |
| 64 | 749983 | Stud-bolt | | 8 | 285381MOD |
| 65 | 778359 | Screw | | 8 | 285381MOD |
| 66 | 601269 | Lateral axle case | | 2 | 285381MOD |
| 67 | 941032 | Lateral axle case | | 2 | 285381MOD |
| 69 | 930404 | Cardan | | 2 | 285381MOD |

CLICK HERE TO **DOWNLOAD** THE COMPLETE MANUAL

- Thank you very much for reading the preview of the manual.
- You can download the complete manual from: www.heydownloads.com by clicking the link below



- Please note: If there is no response to CLICKING the link, please download this PDF first and then click on it.

CLICK HERE TO **DOWNLOAD** THE COMPLETE MANUAL

_FRONT

AX 1469

POUR ESSIEU AVANT
FÜR VORNACHSE
PARA EJE DELANTERO
FOR FRONT AXLE
PER ASSALE ANTERIORE

Type: 212 / 425
 Ref: 240 875

JUSQU'A L'ESSEU
BIS DERACHSE
HASTA EL EJE
UP TO AXLE
FINO PONTE

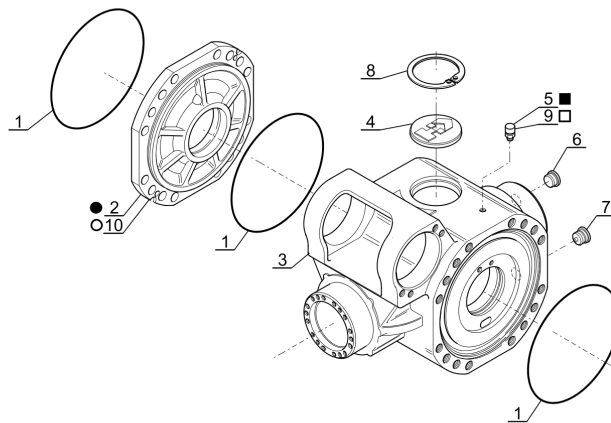
→N: N.ITA.702 227

CARTER ESSIEU AVANT
VORNACHSE GEHÄUSE
CARTER EJE DELANTERO
FRONT AXLE CASING
CARTER ASSALE ANTERIORE

240875mod



→N°: VOIR NOMENCLATURE *
→N°: SIEHE STÜCKLISTE *
→N°: VER NOMENCLATURA *
→N°: SEE NOMENCLATURE *
→N°: VEDERE NOMENCLATURA *



JUSQU'A L'ESSEU
BIS DERACHSE
HASTA EL EJE
UP TO AXLE
FINO PONTE

■→N: M.ITA.731 309
●→N: P.ITA.708 499

A PARTIR DE L'ESSEU
AB DERACHSE
A PARTIR DEL EJE
FROM AXLE
A PARTIR DEL PONTE

□→N: M.ITA.731 310
○→N: P.ITA.708 500

03 / 05 / 11
P.A.O. Illus

| Characteristics | | | - | Superseded Part Number | Product Type |
|-----------------|--------|-------|---|------------------------|---|
| 31 | 706416 | pin | | 4 | MT 732 SC E2, MT 732 SB E2, MT 732 SD E3, MT 928 SC E2, MLT 630 TURBO SB E2, MLT 731 TURBO SB E2, MLT 634 TURBO LSU SB E2, MLT 742 TURBO S2 E2, MLT 742 TURBO S4 E3, MT 732 TURBO SC E2, MLT 742 TURBO S3 E2, MT 732 SB E2 USA, MT 1030 S TURBO S3 E2, MT 1030 S TURBO S4 E3, MT 1030 S TURBO S2 E2, MT 932 TURBO SC E2, MLT 731 TURBO LSU SB E2, MT 1030 S S3 E2, MT 1030 S S2 E2, MT 1030 S S4 E3, MT 728 SC E2, MT 932 SB E2, MT 932 SC E2, MT 932 SD E3 |
| 32 | 748144 | screw | | 2 | MT 732 SC E2, MT 732 SB E2, MT 732 SD E3, MT 928 SC E2, MLT 630 TURBO SB E2, MLT 731 TURBO SB E2, MLT 634 TURBO LSU SB E2, MLT 742 TURBO S2 E2, MLT 742 TURBO S4 E3, MT 732 TURBO SC E2, MLT 742 TURBO S3 E2, MT 732 SB E2 USA, MT 1030 S TURBO S3 E2, MT 1030 S TURBO S4 E3, MT 1030 S TURBO S2 E2, MT 932 TURBO SC E2, MLT 731 TURBO LSU SB E2, MT 1030 S S3 E2, MT 1030 S S2 E2, MT 1030 S S4 E3, MT 728 SC E2, MT 932 SB E2, MT 932 SC E2, MT 932 SD E3 |
| 33 | 748145 | ring | | 1 | 107293 MT 732 SC E2, MT 732 SB E2, MT 732 SD E3, MT 928 SC E2, MLT 630 TURBO SB E2, MLT 731 TURBO SB E2, MLT 634 TURBO LSU SB E2, MLT 742 TURBO S2 E2, MLT 742 TURBO S4 E3, MT 732 TURBO SC E2, MLT 742 TURBO S3 E2, MT 732 SB E2 USA, MT 1030 S TURBO S3 E2, MT 1030 S TURBO S4 E3, MT 1030 S TURBO S2 E2, MT 932 TURBO SC E2, MLT 731 TURBO LSU SB E2, MT 1030 S S3 E2, MT 1030 S S2 E2, MT 1030 S S4 E3, MT 728 SC E2, MT 932 SB E2, MT 932 SC E2, MT 932 SD E3 |
| 34 | 749001 | screw | | 4 | 133186 MT 732 SC E2, MT 732 SB E2, MT 732 SD E3, MT 928 SC E2, MLT 630 TURBO SB E2, MLT 731 TURBO SB E2, MLT 634 TURBO LSU SB E2, MLT 742 TURBO S2 E2, MLT 742 TURBO S4 E3, MT 732 TURBO SC E2, MLT 742 TURBO S3 E2, MT 732 SB E2 USA, MT 1030 S TURBO S3 E2, MT 1030 S TURBO S4 E3, MT 1030 S TURBO S2 E2, MT 932 TURBO SC E2, MLT 731 TURBO LSU SB E2, MT 1030 S S3 E2, MT 1030 S S2 E2, MT 1030 S S4 E3, MT 728 SC E2, MT 932 SB E2, MT 932 SC E2, MT 932 SD E3 |

| | | Characteristics | - | Superseded Part Number | Product Type |
|---|--------|-------------------|---|------------------------|---|
| 0 | 285381 | Front axle | | 1 | MT 732 SC E2, MT 732 SB E2, MT 732 SD E3, MT 928 SC E2, MLT 630 TURBO SB E2, MLT 731 TURBO SB E2, MLT 634 TURBO LSU SB E2, MLT 742 TURBO S2 E2, MLT 742 TURBO S4 E3, MT 732 TURBO SC E2, MLT 742 TURBO S3 E2, MT 732 SB E2 USA, MT 1030 S TURBO S3 E2, MT 1030 S TURBO S4 E3, MT 1030 S TURBO S2 E2, MT 932 TURBO SC E2, MLT 731 TURBO LSU SB E2, MT 1030 S S3 E2, MT 1030 S S2 E2, MT 1030 S S4 E3, MT 728 SC E2, MT 932 SB E2, MT 932 SC E2, MT 932 SD E3 |
| 1 | 748435 | screw | | 4 | MT 732 SC E2, MT 732 SB E2, MT 732 SD E3, MT 928 SC E2, MLT 630 TURBO SB E2, MLT 731 TURBO SB E2, MLT 634 TURBO LSU SB E2, MLT 742 TURBO S2 E2, MLT 742 TURBO S4 E3, MT 732 TURBO SC E2, MLT 742 TURBO S3 E2, MT 732 SB E2 USA, MT 1030 S TURBO S3 E2, MT 1030 S TURBO S4 E3, MT 1030 S TURBO S2 E2, MT 932 TURBO SC E2, MLT 731 TURBO LSU SB E2, MT 1030 S S3 E2, MT 1030 S S2 E2, MT 1030 S S4 E3, MT 728 SC E2, MT 932 SB E2, MT 932 SC E2, MT 932 SD E3 |
| 2 | 745165 | Sensor | | 1 | 562527, 603872 MT 732 SC E2, MT 732 SB E2, MT 732 SD E3, MT 928 SC E2, MLT 630 TURBO SB E2, MLT 731 TURBO SB E2, MLT 634 TURBO LSU SB E2, MLT 742 TURBO S2 E2, MLT 742 TURBO S4 E3, MT 732 TURBO SC E2, MLT 742 TURBO S3 E2, MT 732 SB E2 USA, MT 1030 S TURBO S3 E2, MT 1030 S TURBO S4 E3, MT 1030 S TURBO S2 E2, MT 932 TURBO SC E2, MLT 731 TURBO LSU SB E2, MT 1030 S S3 E2, MT 1030 S S2 E2, MT 1030 S S4 E3, MT 728 SC E2, MT 932 SB E2, MT 932 SC E2, MT 932 SD E3 |
| 3 | 748436 | screw | | 3 | MT 732 SC E2, MT 732 SB E2, MT 732 SD E3, MT 928 SC E2, MLT 630 TURBO SB E2, MLT 731 TURBO SB E2, MLT 634 TURBO LSU SB E2, MLT 742 TURBO S2 E2, MLT 742 TURBO S4 E3, MT 732 TURBO SC E2, MLT 742 TURBO S3 E2, MT 732 SB E2 USA, MT 1030 S TURBO S3 E2, MT 1030 S TURBO S4 E3, MT 1030 S TURBO S2 E2, MT 932 TURBO SC E2, MLT 731 TURBO LSU SB E2, MT 1030 S S3 E2, MT 1030 S S2 E2, MT 1030 S S4 E3, MT 728 SC E2, MT 932 SB E2, MT 932 SC E2, MT 932 SD E3 |
| 4 | 564135 | Steering cylinder | | 1 | MT 732 SC E2, MT 732 SB E2, MT 732 SD E3, MT 928 SC E2, MLT 630 TURBO SB E2, MLT 731 TURBO SB E2, MLT 634 TURBO LSU SB E2, MLT 742 TURBO S2 E2, MLT 742 TURBO S4 E3, MT 732 TURBO SC E2, MLT 742 TURBO S3 E2, MT 732 SB E2 USA, MT 1030 S TURBO S3 E2, MT 1030 S TURBO S4 E3, MT 1030 S TURBO S2 E2, MT 932 TURBO SC E2, MLT 731 TURBO LSU SB E2, MT 1030 S S3 E2, MT 1030 S S2 E2, MT 1030 S S4 E3, MT 728 SC E2, MT 932 SB E2, MT 932 SC E2, MT 932 SD E3 |
| 5 | 564136 | Linked tie-rod | | 1 | MT 732 SC E2, MT 732 SB E2, MT 732 SD E3, MT 928 SC E2, MLT 630 TURBO SB E2, MLT 731 TURBO SB E2, MLT 634 TURBO LSU SB E2, MLT 742 TURBO S2 E2, MLT 742 TURBO S4 E3, MT 732 TURBO SC E2, MLT 742 TURBO S3 E2, MT 732 SB E2 USA, MT 1030 S TURBO S3 E2, MT 1030 S TURBO S4 E3, MT 1030 S TURBO S2 E2, MT 932 TURBO SC E2, MLT 731 TURBO LSU SB E2, MT 1030 S S3 E2, MT 1030 S S2 E2, MT 1030 S S4 E3, MT 728 SC E2, MT 932 SB E2, MT 932 SC E2, MT 932 SD E3 |

4 AA 902

OUTILLAGE (Serrage de roue)
WERKZEUG (Radspannen)
HERRAMIENTA (Apriete de rueda)
TOOL (Wheel torque)
ATTREZZO (Serraggio ruota)

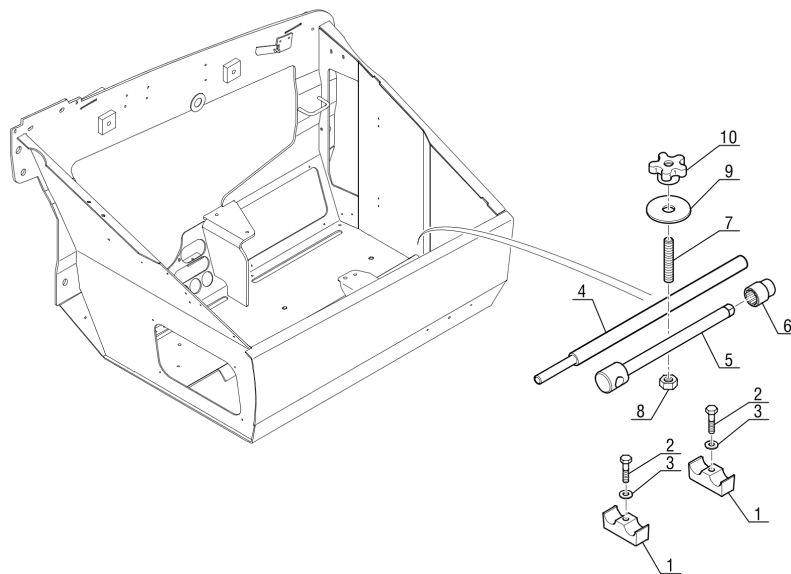
697254mod



POUR LES PIÈCES NON REPEREES, VOIR MONTAGE STANDARD
TEILE OHNE POS.-NR. SIEHE STANDARDMONTAGE
PIEZAS NO IDENTIFICADAS, VER MONTAJE ESTANDAR
PLEASE SEE STANDARD INSTALLATION FOR PARTS WITHOUT
ITEMS



VOIR NOMENCLATURE
SIEHE STÜCKLISTE
VER NOMENCLATURA
SEE NOMENCLATURA
VEDERE NOMENCLATURA



P.A.O. ILLUS
06 / 08 / 09

| Characteristics | | | - | Superseded Part Number | Product Type | |
|-----------------|--------|---------------------------------|---|------------------------|---|--|
| 0 | 751247 | Locking of attachments kit | | 1 | | MT 1030 S TURBO S4 E3, MT 1030 S S4 E3 |
| 1 | 304884 | Locking cylinder of attachments | | 1 | | MT 1030 S TURBO S4 E3, MT 1030 S S4 E3 |
| 2 | 745757 | Cylinder body | | 1 | | MT 1030 S TURBO S4 E3, MT 1030 S S4 E3 |
| 3 | 745758 | Fastening | | 1 | | MT 1030 S TURBO S4 E3, MT 1030 S S4 E3 |
| 4 | 185683 | Filter | | 1 | | MT 1030 S TURBO S4 E3, MT 1030 S S4 E3 |
| 5 | 178940 | Plug | | 1 | | MT 1030 S TURBO S4 E3, MT 1030 S S4 E3 |
| 6 | 178939 | Seal | | 1 | | MT 1030 S TURBO S4 E3, MT 1030 S S4 E3 |
| 7 | 178938 | Valve | | 1 | | MT 1030 S TURBO S4 E3, MT 1030 S S4 E3 |
| 8 | 600723 | Cylinder rod | | 1 | | MT 1030 S TURBO S4 E3, MT 1030 S S4 E3 |
| 9 | 162663 | Fastening ring | | 1 | | MT 1030 S TURBO S4 E3, MT 1030 S S4 E3 |
| 10 | 5497 | Cylinder seal | | 1 | F42409010, 162666, 65376F301071, F46109, 409365 | MT 1030 S TURBO S4 E3, MT 1030 S S4 E3 |
| 11 | 457292 | Cylinder seal | | 1 | 569080, 182294 | MT 1030 S TURBO S4 E3, MT 1030 S S4 E3 |
| 12 | 5045 | TO BE TRANSLATED | | 1 | 100419, 100419BL, F46048, 600408, 31077, 448564, 34945, 569057, 19934 | MT 1030 S TURBO S4 E3, MT 1030 S S4 E3 |
| 13 | 600724 | Spacer | | 1 | | MT 1030 S TURBO S4 E3, MT 1030 S S4 E3 |
| 14 | 178942 | Cylinder piston | | 1 | | MT 1030 S TURBO S4 E3, MT 1030 S S4 E3 |
| 15 | 4039 | TO BE TRANSLATED | | 1 | | MT 1030 S TURBO S4 E3, MT 1030 S S4 E3 |
| 16 | 61169 | Seal washer | | 1 | | MT 1030 S TURBO S4 E3, MT 1030 S S4 E3 |
| 17 | 48132 | Nut | | 1 | | MT 1030 S TURBO S4 E3, MT 1030 S S4 E3 |
| 18 | 178746 | Seal kit | | 1 | | MT 1030 S TURBO S4 E3, MT 1030 S S4 E3 |

| | | Characteristics | - | Superseded Part Number | Product Type |
|----|--------|-----------------|---------------|------------------------|---|
| 15 | 74360 | pipe fitting | | 1 | MLT 630 TURBO SD E3, MLT 634 120 LSU POWERSHIFT SE E3, MT 732 SD E3, MLT 634 120 LSU SE E3, MLT 731 TURBO SD E3, MLT 731 TURBO SE E3, MLT 735 120 LSU POWERSHIFT S5 E3, MLT 735 TURBO LSU S5 E3, MT 1033 H L TURBO S4 E3, MLT 742 TURBO S4 E3, MLT 735 120 LSU S5 E3, MT 1030 S TURBO S4 E3, MLT 634 TURBO LSU SE E3, MLT 741 120 LSU S5 E3, MT 1030 S S4 E3, MLT 1035 L TURBO LSU S4 E3, MLT 741 120 LSU POWERSHIFT S5 E3, MLT 1035 L TURBO LSU S5 E3, MT 932 SD E3 |
| 16 | 190162 | pipe fitting | | 1 | 89181, 485570 MLT 630 TURBO SD E3, MLT 634 120 LSU POWERSHIFT SE E3, MT 732 SD E3, MLT 634 120 LSU SE E3, MLT 731 TURBO SD E3, MLT 731 TURBO SE E3, MLT 735 120 LSU POWERSHIFT S5 E3, MLT 735 TURBO LSU S5 E3, MT 1033 H L TURBO S4 E3, MLT 742 TURBO S4 E3, MLT 735 120 LSU S5 E3, MT 1030 S TURBO S4 E3, MLT 634 TURBO LSU SE E3, MLT 741 120 LSU S5 E3, MT 1030 S S4 E3, MLT 1035 L TURBO LSU S4 E3, MLT 741 120 LSU POWERSHIFT S5 E3, MLT 1035 L TURBO LSU S5 E3, MT 932 SD E3 |
| 17 | 261397 | pipe fitting | | 1 | MLT 630 TURBO SD E3, MLT 634 120 LSU POWERSHIFT SE E3, MT 732 SD E3, MLT 634 120 LSU SE E3, MLT 731 TURBO SD E3, MLT 731 TURBO SE E3, MLT 735 120 LSU POWERSHIFT S5 E3, MLT 735 TURBO LSU S5 E3, MT 1033 H L TURBO S4 E3, MLT 742 TURBO S4 E3, MLT 735 120 LSU S5 E3, MT 1030 S TURBO S4 E3, MLT 634 TURBO LSU SE E3, MLT 741 120 LSU S5 E3, MT 1030 S S4 E3, MLT 1035 L TURBO LSU S4 E3, MLT 741 120 LSU POWERSHIFT S5 E3, MLT 1035 L TURBO LSU S5 E3, MT 932 SD E3 |
| 18 | 227321 | washer | | 1 | MLT 630 TURBO SD E3, MLT 634 120 LSU POWERSHIFT SE E3, MT 732 SD E3, MLT 634 120 LSU SE E3, MLT 731 TURBO SD E3, MLT 731 TURBO SE E3, MLT 735 120 LSU POWERSHIFT S5 E3, MLT 735 TURBO LSU S5 E3, MT 1033 H L TURBO S4 E3, MLT 742 TURBO S4 E3, MLT 735 120 LSU S5 E3, MT 1030 S TURBO S4 E3, MLT 634 TURBO LSU SE E3, MLT 741 120 LSU S5 E3, MT 1030 S S4 E3, MLT 1035 L TURBO LSU S4 E3, MLT 741 120 LSU POWERSHIFT S5 E3, MLT 1035 L TURBO LSU S5 E3, MT 932 SD E3 |
| 19 | 401668 | Nut | H ,M24x150-ZN | 1 | MLT 630 TURBO SD E3, MLT 634 120 LSU POWERSHIFT SE E3, MT 732 SD E3, MLT 634 120 LSU SE E3, MLT 731 TURBO SD E3, MLT 731 TURBO SE E3, MLT 735 120 LSU POWERSHIFT S5 E3, MLT 735 TURBO LSU S5 E3, MT 1033 H L TURBO S4 E3, MLT 742 TURBO S4 E3, MLT 735 120 LSU S5 E3, MT 1030 S TURBO S4 E3, MLT 634 TURBO LSU SE E3, MLT 741 120 LSU S5 E3, MT 1030 S S4 E3, MLT 1035 L TURBO LSU S4 E3, MLT 741 120 LSU POWERSHIFT S5 E3, MLT 1035 L TURBO LSU S5 E3, MT 932 SD E3 |

| | | Characteristics | - | Superseded Part Number | Product Type |
|----|--------|-----------------|-------------|------------------------|--|
| 10 | 168350 | Screw | | 1 | MLT 630 TURBO SD E3, MLT 634 120 LSU POWERSHIFT SE E3, MT 732 SD E3, MLT 634 120 LSU SE E3, MLT 731 TURBO SD E3, MLT 731 TURBO SE E3, MLT 735 120 LSU POWERSHIFT S5 E3, MLT 735 TURBO LSU S5 E3, MT 1033 H L TURBO S4 E3, MLT 742 TURBO S4 E3, MLT 735 120 LSU S5 E3, MT 1030 S TURBO S4 E3, MLT 634 TURBO LSU SE E3, MLT 741 120 LSU S5 E3, MT 1030 S S4 E3, MLT 1035 L TURBO LSU S4 E3, MLT 741 120 LSU POWERSHIFT S5 E3, MLT 1035 L TURBO LSU S5 E3, MT 932 SD E3 |
| 11 | 252610 | Bushing | | 1 | MLT 630 TURBO SD E3, MLT 634 120 LSU POWERSHIFT SE E3, MT 732 SD E3, MLT 634 120 LSU SE E3, MLT 731 TURBO SD E3, MLT 731 TURBO SE E3, MLT 735 120 LSU POWERSHIFT S5 E3, MLT 735 TURBO LSU S5 E3, MT 1033 H L TURBO S4 E3, MLT 742 TURBO S4 E3, MLT 735 120 LSU S5 E3, MT 1030 S TURBO S4 E3, MLT 634 TURBO LSU SE E3, MLT 741 120 LSU S5 E3, MT 1030 S S4 E3, MLT 1035 L TURBO LSU S4 E3, MLT 741 120 LSU POWERSHIFT S5 E3, MLT 1035 L TURBO LSU S5 E3, MT 932 SD E3 |
| 12 | 61674 | Washer | M8 ZN12C/FE | 1 | MLT 630 TURBO SD E3, MLT 634 120 LSU POWERSHIFT SE E3, MT 732 SD E3, MLT 634 120 LSU SE E3, MLT 731 TURBO SD E3, MLT 731 TURBO SE E3, MLT 735 120 LSU POWERSHIFT S5 E3, MLT 735 TURBO LSU S5 E3, MT 1033 H L TURBO S4 E3, MLT 742 TURBO S4 E3, MLT 735 120 LSU S5 E3, MT 1030 S TURBO S4 E3, MLT 634 TURBO LSU SE E3, MLT 741 120 LSU S5 E3, MT 1030 S S4 E3, MLT 1035 L TURBO LSU S4 E3, MLT 741 120 LSU POWERSHIFT S5 E3, MLT 1035 L TURBO LSU S5 E3, MT 932 SD E3 |
| 13 | 54242 | Nut | | 1 | MLT 630 TURBO SD E3, MLT 634 120 LSU POWERSHIFT SE E3, MT 732 SD E3, MLT 634 120 LSU SE E3, MLT 731 TURBO SD E3, MLT 731 TURBO SE E3, MLT 735 120 LSU POWERSHIFT S5 E3, MLT 735 TURBO LSU S5 E3, MT 1033 H L TURBO S4 E3, MLT 742 TURBO S4 E3, MLT 735 120 LSU S5 E3, MT 1030 S TURBO S4 E3, MLT 634 TURBO LSU SE E3, MLT 741 120 LSU S5 E3, MT 1030 S S4 E3, MLT 1035 L TURBO LSU S4 E3, MLT 741 120 LSU POWERSHIFT S5 E3, MLT 1035 L TURBO LSU S5 E3, MT 932 SD E3 |
| 14 | 266885 | Connection | | 1 | MLT 630 TURBO SD E3, MLT 634 120 LSU POWERSHIFT SE E3, MT 732 SD E3, MLT 634 120 LSU SE E3, MLT 731 TURBO SD E3, MLT 731 TURBO SE E3, MLT 735 120 LSU POWERSHIFT S5 E3, MLT 735 TURBO LSU S5 E3, MT 1033 H L TURBO S4 E3, MLT 742 TURBO S4 E3, MLT 735 120 LSU S5 E3, MT 1030 S TURBO S4 E3, MLT 634 TURBO LSU SE E3, MLT 741 120 LSU S5 E3, MT 1030 S S4 E3, MLT 1035 L TURBO LSU S4 E3, MLT 741 120 LSU POWERSHIFT S5 E3, MLT 1035 L TURBO LSU S5 E3, MT 932 SD E3 |

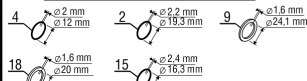
| | | Characteristics | | - | Superseded Part Number | Product Type |
|---|--------|-----------------|---------------------|---|------------------------|--|
| 5 | 42347 | Screw | H,M 8- 20-8.8-ZN8/C | 1 | | MLT 630 TURBO SD E3, MLT 634 120 LSU POWERSHIFT SE E3, MT 732 SD E3, MLT 634 120 LSU SE E3, MLT 731 TURBO SD E3, MLT 731 TURBO SE E3, MLT 735 120 LSU POWERSHIFT S5 E3, MLT 735 TURBO LSU S5 E3, MT 1033 H L TURBO S4 E3, MLT 742 TURBO S4 E3, MLT 735 120 LSU S5 E3, MT 1030 S TURBO S4 E3, MLT 634 TURBO LSU SE E3, MLT 741 120 LSU S5 E3, MT 1030 S S4 E3, MLT 1035 L TURBO LSU S4 E3, MLT 741 120 LSU POWERSHIFT S5 E3, MLT 1035 L TURBO LSU S5 E3, MT 932 SD E3 |
| 6 | 44025 | washer | | 1 | | MLT 630 TURBO SD E3, MLT 634 120 LSU POWERSHIFT SE E3, MT 732 SD E3, MLT 634 120 LSU SE E3, MLT 731 TURBO SD E3, MLT 731 TURBO SE E3, MLT 735 120 LSU POWERSHIFT S5 E3, MLT 735 TURBO LSU S5 E3, MT 1033 H L TURBO S4 E3, MLT 742 TURBO S4 E3, MLT 735 120 LSU S5 E3, MT 1030 S TURBO S4 E3, MLT 634 TURBO LSU SE E3, MLT 741 120 LSU S5 E3, MT 1030 S S4 E3, MLT 1035 L TURBO LSU S4 E3, MLT 741 120 LSU POWERSHIFT S5 E3, MLT 1035 L TURBO LSU S5 E3, MT 932 SD E3 |
| 7 | 217413 | Bushing | | 1 | | MLT 630 TURBO SD E3, MLT 634 120 LSU POWERSHIFT SE E3, MT 732 SD E3, MLT 634 120 LSU SE E3, MLT 731 TURBO SD E3, MLT 731 TURBO SE E3, MLT 735 120 LSU POWERSHIFT S5 E3, MLT 735 TURBO LSU S5 E3, MT 1033 H L TURBO S4 E3, MLT 742 TURBO S4 E3, MLT 735 120 LSU S5 E3, MT 1030 S TURBO S4 E3, MLT 634 TURBO LSU SE E3, MLT 741 120 LSU S5 E3, MT 1030 S S4 E3, MLT 1035 L TURBO LSU S4 E3, MLT 741 120 LSU POWERSHIFT S5 E3, MLT 1035 L TURBO LSU S5 E3, MT 932 SD E3 |
| 8 | 204069 | Fastening lug | | 1 | | MLT 630 TURBO SD E3, MLT 634 120 LSU POWERSHIFT SE E3, MT 732 SD E3, MLT 634 120 LSU SE E3, MLT 731 TURBO SD E3, MLT 731 TURBO SE E3, MLT 735 120 LSU POWERSHIFT S5 E3, MLT 735 TURBO LSU S5 E3, MT 1033 H L TURBO S4 E3, MLT 742 TURBO S4 E3, MLT 735 120 LSU S5 E3, MT 1030 S TURBO S4 E3, MLT 634 TURBO LSU SE E3, MLT 741 120 LSU S5 E3, MT 1030 S S4 E3, MLT 1035 L TURBO LSU S4 E3, MLT 741 120 LSU POWERSHIFT S5 E3, MLT 1035 L TURBO LSU S5 E3, MT 932 SD E3 |
| 9 | 57446 | Screw | | 1 | | MLT 630 TURBO SD E3, MLT 634 120 LSU POWERSHIFT SE E3, MT 732 SD E3, MLT 634 120 LSU SE E3, MLT 731 TURBO SD E3, MLT 731 TURBO SE E3, MLT 735 120 LSU POWERSHIFT S5 E3, MLT 735 TURBO LSU S5 E3, MT 1033 H L TURBO S4 E3, MLT 742 TURBO S4 E3, MLT 735 120 LSU S5 E3, MT 1030 S TURBO S4 E3, MLT 634 TURBO LSU SE E3, MLT 741 120 LSU S5 E3, MT 1030 S S4 E3, MLT 1035 L TURBO LSU S4 E3, MLT 741 120 LSU POWERSHIFT S5 E3, MLT 1035 L TURBO LSU S5 E3, MT 932 SD E3 |

HYDRAULIQUE (Circuit levage - Télescopage)
 HYDRAULIK (Aufwinden - Zusammenstroll kreis)
 HIDRAULICO (Circuito levantamiento - Telescopaje)
 HYDRAULIC (Lifting - Telescope circuit)
 IDRAULICO (Circuito sollevamento - braccio)

MT 1030 S S.4-E3
 MT 1030 S Turbo S.4-E3

10 AE 912

POUR FLEXIBLE ET RACCORD
 FÜR SCHLAUCH UND VERSCHRAUBUNG
 PARA FLEXIBLE Y RACOR
 FOR HOSE AND CONNECTION
 PER FLESSIBILE E RACCORDO



JUSQU'A LA MACHINE
 BIS ZUR MASCHINE
 HASTA LA MAQUINA
 UP TO MACHINE
 FINO LA MACCHINA

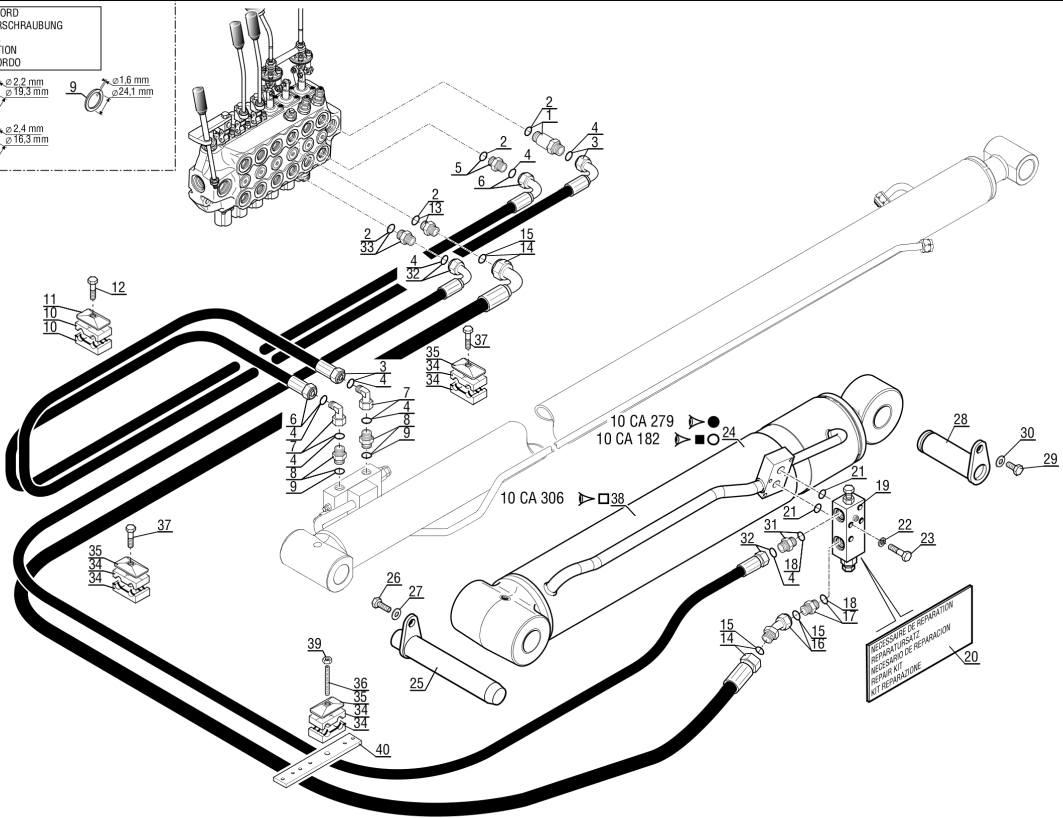
■ N°: 587 599

A PARTIR DE LA MACHINE
 AB DER MASCHINE
 A PARTIR DE LA MAQUINA
 FROM MACHINE
 A PARTIR DA MACCHINA

□ N°: 587 600

● 1er MONTAGE
 1ste MONTAGE
 1ro MONTAJE
 1st MOUNTING
 1mo MONTAGGIO

○ 2eme MONTAGE
 2te MONTAGE
 2do MONTAJE
 2nd MOUNTING
 2do MONTAGGIO



| | | Characteristics | | - | Superseded Part Number | Product Type |
|----|--------|------------------|-------------------------|---|------------------------|--|
| 1 | 257497 | Bracket | | 1 | | MT 1030 S TURBO S4 E3, MT 1030 S S4 E3 |
| 2 | 42347 | Screw | H,M 8- 20-8.8-ZN8/C | 2 | | MT 1030 S TURBO S4 E3, MT 1030 S S4 E3 |
| 3 | 61674 | Washer | M8 ZN12C/FE | 2 | | MT 1030 S TURBO S4 E3, MT 1030 S S4 E3 |
| 4 | 238284 | Connection | | 2 | 89162 | MT 1030 S TURBO S4 E3, MT 1030 S S4 E3 |
| 5 | 401668 | Nut | H ,M24x150-ZN | 2 | | MT 1030 S TURBO S4 E3, MT 1030 S S4 E3 |
| 6 | 268933 | Tube | | 1 | | MT 1030 S TURBO S4 E3, MT 1030 S S4 E3 |
| 7 | 268934 | Tube | | 1 | | MT 1030 S TURBO S4 E3, MT 1030 S S4 E3 |
| 8 | 168758 | collar | | 2 | | MT 1030 S TURBO S4 E3, MT 1030 S S4 E3 |
| 9 | 168494 | Plate | | 2 | | MT 1030 S TURBO S4 E3, MT 1030 S S4 E3 |
| 10 | 63754 | Screw | Vis H,M 8- 30-8.8-ZN8/C | 2 | | MT 1030 S TURBO S4 E3, MT 1030 S S4 E3 |
| 11 | 247373 | Hose | | 2 | | MT 1030 S TURBO S4 E3, MT 1030 S S4 E3 |
| 12 | 189956 | TO BE TRANSLATED | | 1 | | MT 1030 S TURBO S4 E3, MT 1030 S S4 E3 |
| 13 | 232475 | Connection | | 2 | 488444 | MT 1030 S TURBO S4 E3, MT 1030 S S4 E3 |
| 14 | 229571 | valve | | 1 | | MT 1030 S TURBO S4 E3, MT 1030 S S4 E3 |
| 15 | 600907 | repair kit | | 1 | | MT 1030 S TURBO S4 E3, MT 1030 S S4 E3 |
| 16 | 189960 | "0" ring | | 2 | | MT 1030 S TURBO S4 E3, MT 1030 S S4 E3 |
| 17 | 42325 | Washer | W 8 ZN | 4 | | MT 1030 S TURBO S4 E3, MT 1030 S S4 E3 |
| 18 | 58531 | Screw | | 4 | | MT 1030 S TURBO S4 E3, MT 1030 S S4 E3 |
| 19 | 299907 | Tilting cylinder | | 1 | | MT 1030 S TURBO S4 E3, MT 1030 S S4 E3 |
| 20 | 264580 | Pin | | 1 | | MT 1030 S TURBO S4 E3, MT 1030 S S4 E3 |
| 21 | 45921 | Washer | | 1 | | MT 1030 S TURBO S4 E3, MT 1030 S S4 E3 |
| 22 | 60360 | Screw | | 1 | | MT 1030 S TURBO S4 E3, MT 1030 S S4 E3 |
| 23 | 264578 | Pin | | 1 | | MT 1030 S TURBO S4 E3, MT 1030 S S4 E3 |
| 24 | 192212 | Circlip | | 1 | | MT 1030 S TURBO S4 E3, MT 1030 S S4 E3 |
| 25 | 238284 | Connection | | 2 | 89162 | MT 1030 S TURBO S4 E3, MT 1030 S S4 E3 |
| 26 | 401668 | Nut | H ,M24x150-ZN | 2 | | MT 1030 S TURBO S4 E3, MT 1030 S S4 E3 |
| 27 | 268936 | Tube | | 1 | | MT 1030 S TURBO S4 E3, MT 1030 S S4 E3 |

| | | Characteristics | - | Superseded Part Number | Product Type |
|----|--------|--------------------|---------------------|------------------------|--|
| 25 | 238479 | Telescope cylinder | | 1 | MT 1030 S TURBO S4 E3, MT 1030 S S4 E3 |
| 26 | 267224 | Pin | | 1 | MT 1030 S TURBO S4 E3, MT 1030 S S4 E3 |
| 27 | 267228 | Pin | | 1 | MT 1030 S TURBO S4 E3, MT 1030 S S4 E3 |
| 28 | 2637 | Circlip | | 4 | MT 1030 S TURBO S4 E3, MT 1030 S S4 E3 |
| 29 | 235540 | Bracket | | 1 | MT 1030 S TURBO S4 E3, MT 1030 S S4 E3 |
| 30 | 181673 | Screw | | 2 | MT 1030 S TURBO S4 E3, MT 1030 S S4 E3 |
| 31 | 54951 | Screw | | 4 | MT 1030 S TURBO S4 E3, MT 1030 S S4 E3 |
| 32 | 29468 | Washer | | 4 | MT 1030 S TURBO S4 E3, MT 1030 S S4 E3 |
| 33 | 169438 | Seal | | 1 | MT 1030 S TURBO S4 E3, MT 1030 S S4 E3 |
| 34 | 58526 | Screw | H,M 6- 40-8.8-ZN5/C | 4 | MT 1030 S TURBO S4 E3, MT 1030 S S4 E3 |
| 35 | 168491 | Protection plate | | 2 | MT 1030 S TURBO S4 E3, MT 1030 S S4 E3 |
| 36 | 168488 | Half-clamp | | 4 | MT 1030 S TURBO S4 E3, MT 1030 S S4 E3 |

| | | Characteristics | - | Superseded Part Number | Product Type |
|----|--------|-----------------------|---|------------------------|---|
| 1 | 285566 | Hydraulic valve bank | | 1 | MT 732 SD E3, MT 1030 S TURBO S4 E3, MT 1030 S S4 E3, MT 928 SD E3, MT 728 SD E3, MT 932 SD E3 |
| 3 | 474707 | Spring return drive | | 1 | MT 732 SD E3, MT 1030 S TURBO S4 E3, MT 1030 S S4 E3, MT 928 SD E3, MT 728 SD E3, MT 932 SD E3 |
| 4 | 135891 | "O" ring | | 2 | G1475648, 2742040MI, 87070, 474708, 448751, 2680204MI MT 732 SD E3, MT 1030 S TURBO S4 E3, MT 1030 S S4 E3, MT 928 SD E3, MT 728 SD E3, MT 932 SD E3 |
| 5 | 750554 | Spacer | | 1 | MT 732 SD E3, MT 1030 S TURBO S4 E3, MT 1030 S S4 E3, MT 928 SD E3, MT 728 SD E3, MT 932 SD E3 |
| 6 | 474713 | Washer | | 1 | MT 732 SD E3, MT 1030 S TURBO S4 E3, MT 1030 S S4 E3, MT 928 SD E3, MT 728 SD E3, MT 932 SD E3 |
| 7 | 750555 | Coupling | | 1 | MT 732 SD E3, MT 1030 S TURBO S4 E3, MT 1030 S S4 E3, MT 928 SD E3, MT 728 SD E3, MT 932 SD E3 |
| 8 | 750553 | Cap | | 1 | MT 732 SD E3, MT 1030 S TURBO S4 E3, MT 1030 S S4 E3, MT 928 SD E3, MT 728 SD E3, MT 932 SD E3 |
| 9 | 597597 | Screw | | 2 | 474720 MT 732 SD E3, MT 1030 S TURBO S4 E3, MT 1030 S S4 E3, MT 928 SD E3, MT 728 SD E3, MT 932 SD E3 |
| 10 | 474706 | Complete manual drive | | 1 | MT 732 SD E3, MT 1030 S TURBO S4 E3, MT 1030 S S4 E3, MT 928 SD E3, MT 728 SD E3, MT 932 SD E3 |
| 11 | 182024 | Screw | | 2 | 485979, 749663, 474710, 882687 MT 732 SD E3, MT 1030 S TURBO S4 E3, MT 1030 S S4 E3, MT 928 SD E3, MT 728 SD E3, MT 932 SD E3 |

10 CA 279

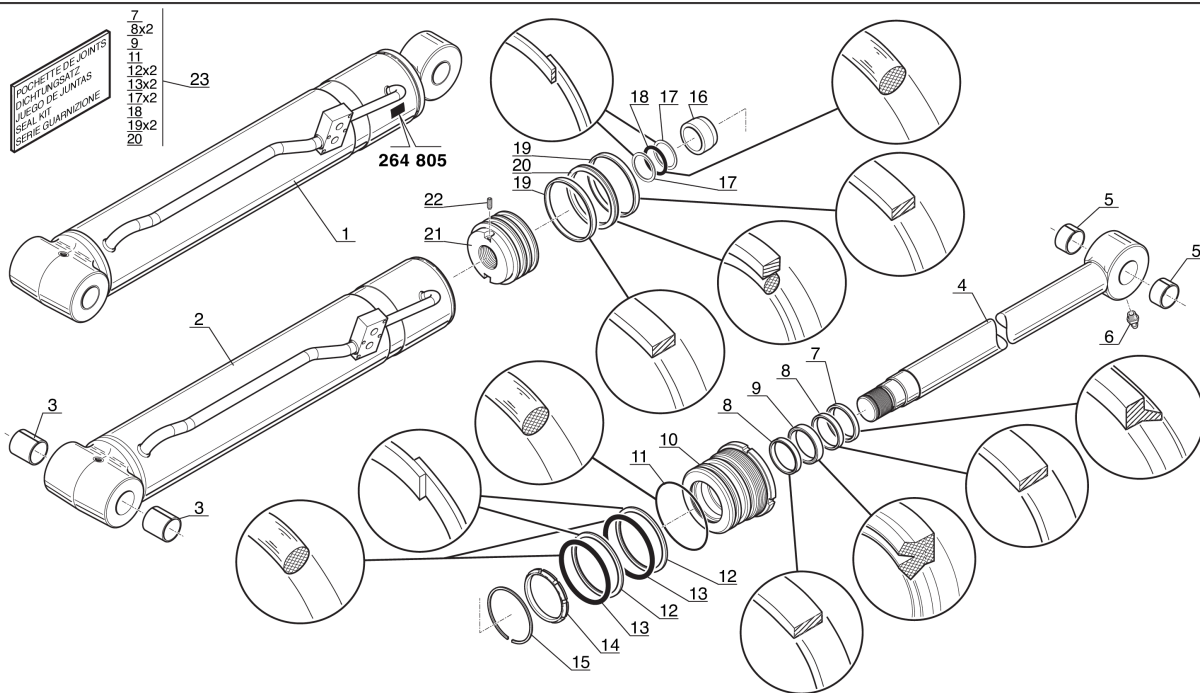
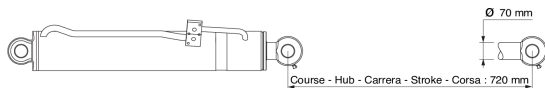
A PARTIR DE LA MACHINE
AB DER MASCHINE
A PARTIR DE LA MAQUINA
FROM MACHINE
A PARTIR DA MACCHINA
→ N°: 246 653

SEULEMENT POUR - NUR FÜR
SOLAMENTE PARA - ONLY FOR - SOLO PER

MLT 731 Turbo S.C
MLT 731 T LSU S.C
MLT 735 120 LSU S.3
MLT 735 120 LSU PS S.3

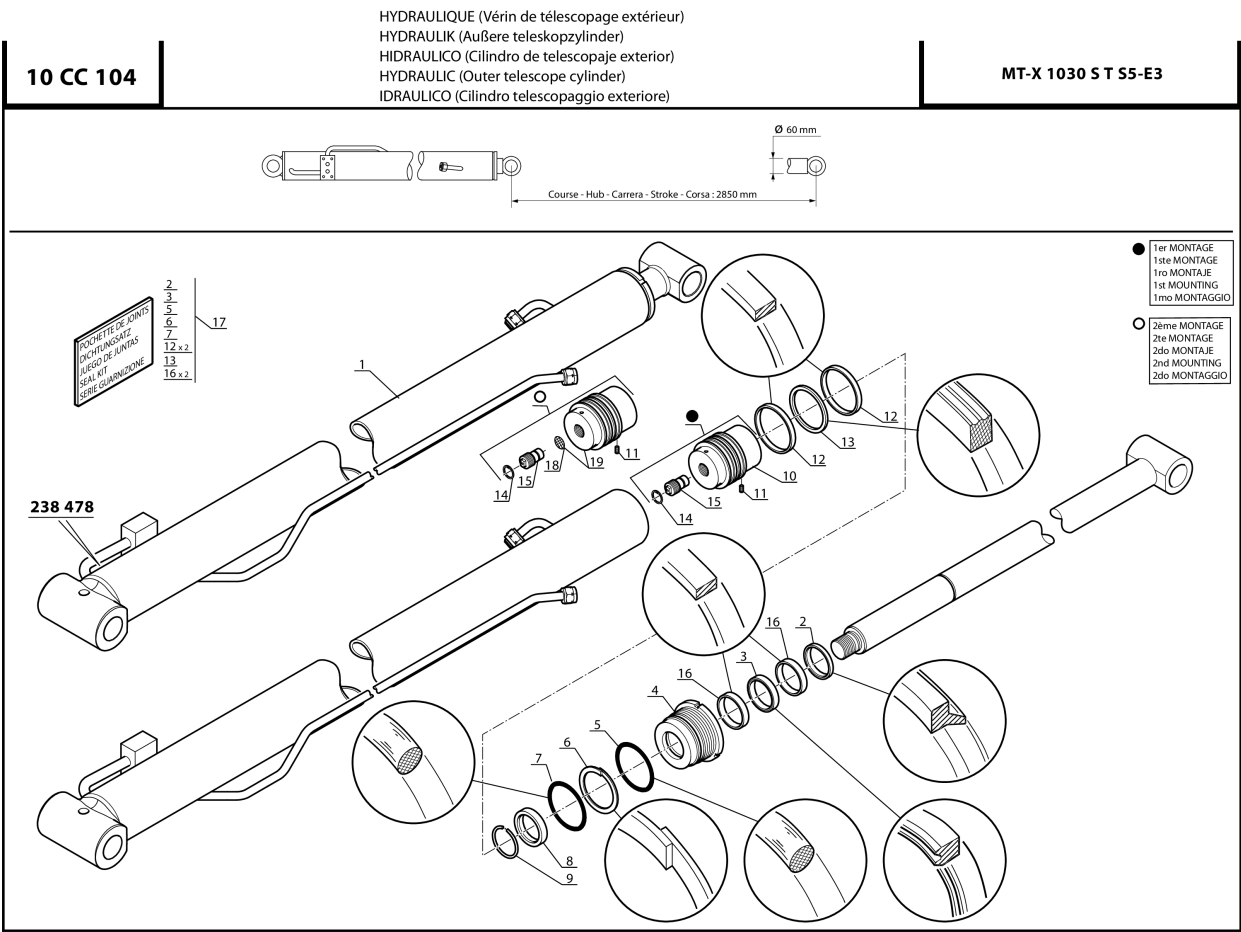
HYDRAULIQUE (Vérin de levage)
HYDRAULIK (Aufwinden zylinder)
HIDRAULICO (Cilindro de levantamiento)
HYDRAULIC (Lifting cylinder)
IDRAULICO (Cilindro di sollevamento)

MLT 731 Turbo S.C
MLT 731 Turbo LSU S.C
MLT 735 120 LSU S.3
MLT 735 120 LSU PS S.3
MLT 1035 L Turbo LSU S.3



10 / 05 / 07

P.A.O. ILLUS

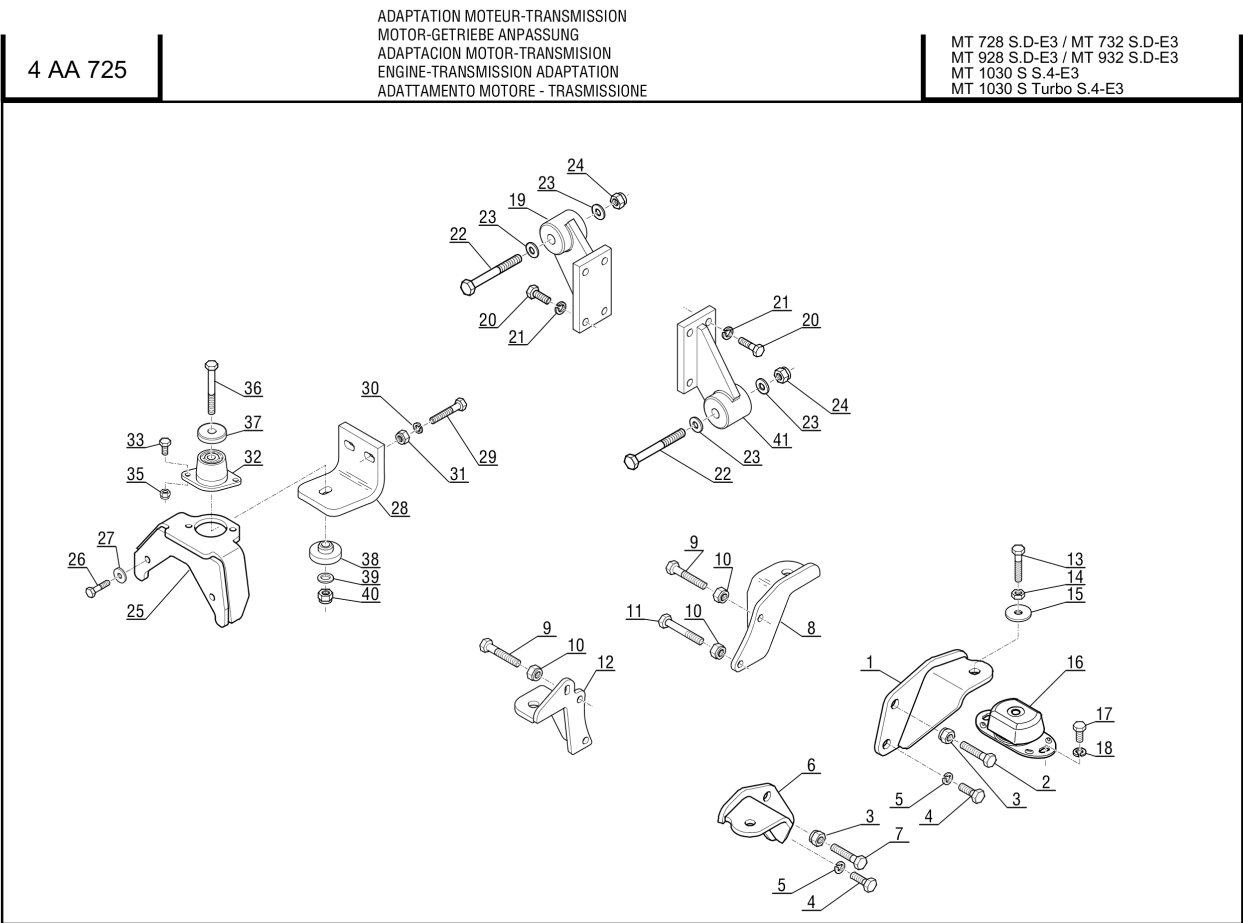


| | | Characteristics | | - | Superseded Part Number | Product Type |
|----|--------|---------------------|---------------------|---|------------------------|---|
| 0 | 751085 | Sealing kit on boom | | 1 | | MT 1030 S TURBO S4 E3, MT 1030 S S4 E3, MT 1033 H L TURBO S4 E3, MT 932 SD E3 |
| 1 | 252429 | L.H. bracket | | 1 | | MT 1030 S TURBO S4 E3, MT 1030 S S4 E3, MT 1033 H L TURBO S4 E3, MT 932 SD E3 |
| 2 | 252430 | R.H. bracket | | 1 | | MT 1030 S TURBO S4 E3, MT 1030 S S4 E3, MT 1033 H L TURBO S4 E3, MT 932 SD E3 |
| 3 | 188545 | Screw | | 1 | 487750 | MT 1030 S TURBO S4 E3, MT 1030 S S4 E3, MT 1033 H L TURBO S4 E3, MT 932 SD E3 |
| 4 | 58548 | Nut | H ,M12 C 8 ZN..C | 1 | | MT 1030 S TURBO S4 E3, MT 1030 S S4 E3, MT 1033 H L TURBO S4 E3, MT 932 SD E3 |
| 5 | 268528 | Brush | | 1 | | MT 1030 S TURBO S4 E3, MT 1030 S S4 E3, MT 1033 H L TURBO S4 E3, MT 932 SD E3 |
| 6 | 25713 | screw | H,M 6- 16-8.8-ZN5/C | 1 | | MT 1030 S TURBO S4 E3, MT 1030 S S4 E3, MT 1033 H L TURBO S4 E3, MT 932 SD E3 |
| 7 | 174132 | Washer | | 1 | | MT 1030 S TURBO S4 E3, MT 1030 S S4 E3, MT 1033 H L TURBO S4 E3, MT 932 SD E3 |
| 8 | 202559 | Nut | | 1 | | MT 1030 S TURBO S4 E3, MT 1030 S S4 E3, MT 1033 H L TURBO S4 E3, MT 932 SD E3 |
| 9 | 50896 | Screw | | 1 | | MT 1030 S TURBO S4 E3, MT 1030 S S4 E3, MT 1033 H L TURBO S4 E3, MT 932 SD E3 |
| 10 | 174132 | Washer | | 1 | | MT 1030 S TURBO S4 E3, MT 1030 S S4 E3, MT 1033 H L TURBO S4 E3, MT 932 SD E3 |
| 11 | 226776 | L.H. bracket | | 1 | | MT 1030 S TURBO S4 E3, MT 1030 S S4 E3, MT 1033 H L TURBO S4 E3, MT 932 SD E3 |
| 12 | 226775 | R.H. bracket | | 1 | | MT 1030 S TURBO S4 E3, MT 1030 S S4 E3, MT 1033 H L TURBO S4 E3, MT 932 SD E3 |
| 13 | 188545 | Screw | | 1 | 487750 | MT 1030 S TURBO S4 E3, MT 1030 S S4 E3, MT 1033 H L TURBO S4 E3, MT 932 SD E3 |
| 14 | 58548 | Nut | H ,M12 C 8 ZN..C | 1 | | MT 1030 S TURBO S4 E3, MT 1030 S S4 E3, MT 1033 H L TURBO S4 E3, MT 932 SD E3 |
| 15 | 268527 | Brush | | 1 | | MT 1030 S TURBO S4 E3, MT 1030 S S4 E3, MT 1033 H L TURBO S4 E3, MT 932 SD E3 |
| 16 | 25713 | screw | H,M 6- 16-8.8-ZN5/C | 1 | | MT 1030 S TURBO S4 E3, MT 1030 S S4 E3, MT 1033 H L TURBO S4 E3, MT 932 SD E3 |
| 17 | 174132 | Washer | | 1 | | MT 1030 S TURBO S4 E3, MT 1030 S S4 E3, MT 1033 H L TURBO S4 E3, MT 932 SD E3 |
| 18 | 202559 | Nut | | 1 | | MT 1030 S TURBO S4 E3, MT 1030 S S4 E3, MT 1033 H L TURBO S4 E3, MT 932 SD E3 |
| 19 | 50896 | Screw | | 1 | | MT 1030 S TURBO S4 E3, MT 1030 S S4 E3, MT 1033 H L TURBO S4 E3, MT 932 SD E3 |
| 20 | 174132 | Washer | | 1 | | MT 1030 S TURBO S4 E3, MT 1030 S S4 E3, MT 1033 H L TURBO S4 E3, MT 932 SD E3 |

| | | | Characteristics | - | Superseded Part Number | Product Type |
|----|--------|------------------------|-----------------|---|------------------------|--------------|
| 0 | 271256 | Complete engine | | 1 | | 271256MOD |
| 1 | 747614 | Rocker lever shaft | | 1 | | 271256MOD |
| 2 | 604931 | Shaft | | 1 | | 271256MOD |
| 3 | 604932 | Plug | | 2 | | 271256MOD |
| 4 | 747615 | Rocker lever (Exhaust) | | 4 | | 271256MOD |
| 5 | 747616 | Nut | | 1 | | 271256MOD |
| 6 | 740862 | Screw | | 1 | | 271256MOD |
| 7 | 604934 | Spring | | 3 | | 271256MOD |
| 8 | 747617 | Rocker lever (Inlet) | | 4 | | 271256MOD |
| 9 | 747616 | Nut | | 1 | | 271256MOD |
| 10 | 740862 | Screw | | 1 | | 271256MOD |
| 11 | 604936 | Circlip | | 2 | | 271256MOD |
| 12 | 604937 | Washer | | 2 | | 271256MOD |
| 13 | 604938 | Screw | | 1 | | 271256MOD |
| 14 | 604939 | Screw | | 3 | | 271256MOD |
| 15 | 740873 | Rod | | 8 | | 271256MOD |
| 16 | 747371 | Valve tappet | | 8 | | 271256MOD |

| | | Characteristics | | - | Superseded Part Number | Product Type |
|----|--------|-----------------|--|---|------------------------------------|--------------|
| 0 | 271256 | Complete engine | | 1 | | 271256MOD |
| 1 | 704637 | Connection | | 1 | 604983 | 271256MOD |
| 2 | 704937 | Plug | | 1 | | 271256MOD |
| 3 | 704936 | "O" ring | | 1 | | 271256MOD |
| 4 | 476074 | Screw | | 1 | | 271256MOD |
| 5 | 473986 | Screw | | 1 | | 271256MOD |
| 6 | 704938 | "O" ring | | 1 | | 271256MOD |
| 7 | 474105 | Screw | | 4 | | 271256MOD |
| 8 | 704944 | Lug | | 1 | | 271256MOD |
| 9 | 564551 | Fastening plate | | 2 | | 271256MOD |
| 10 | 473560 | Gasket | | 2 | | 271256MOD |
| 11 | 474064 | Screw | | 4 | | 271256MOD |
| 12 | 604986 | Lug | | 1 | | 271256MOD |
| 13 | 473943 | Screw | | 4 | P2314C049, 474041, P2314J002 | 271256MOD |

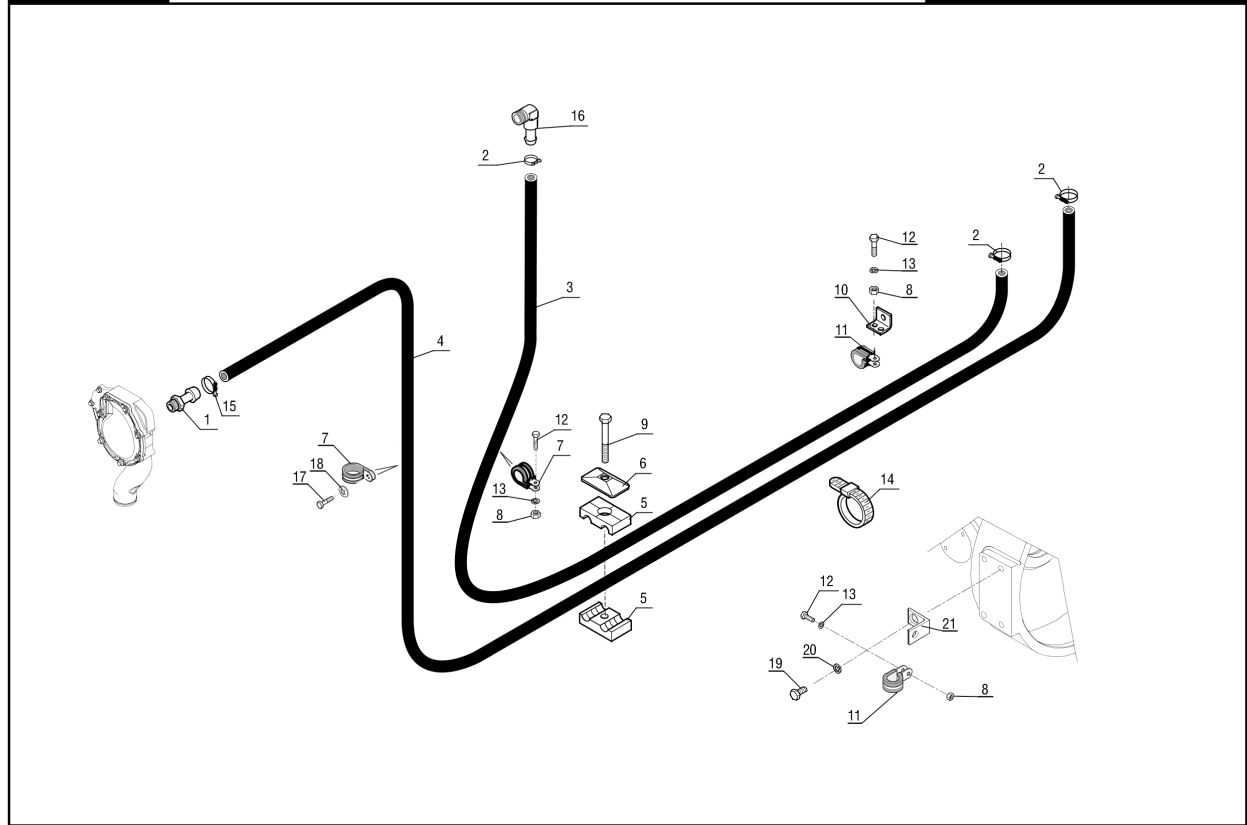
| | | Characteristics | - | Superseded Part Number | Product Type |
|---|--------|-----------------|---|--------------------------------------|--------------|
| 0 | 271256 | Complete engine | | 1 | 271256MOD |
| 1 | 958579 | STARTER MOTOR | | 1 781686, 788128 | 271256MOD |
| 2 | 473907 | Stud-bolt | | 3 | 271256MOD |
| 3 | 473908 | Nut | | 3 P2318A634, 473969, 725304 | 271256MOD |



CIRCUIT CHAUFFAGE
ERHITZKREIS
CIRCUITO CALDEO
HEATING CIRCUIT
RISCALDAMENTO

8 AD 246

CT7-23 Turbo Série D-E3



07/03/08
P.A.O. Illustrations

| | | Characteristics | - | Superseded Part Number | Product Type |
|----|--------|-----------------|---|------------------------|---|
| 11 | 206083 | Screw | | 4 | MLT 630 TURBO SD E3, MLT 634 120 LSU SD E3, MLT 731 TURBO A SD E3, MT 732 SD E3, MLT 742 H TURBO LSU S4 E3, MLT 630 TURBO A SD E3, MLT 742 LSU TURBO A S4 E3, MLT 735 120 LSU POWERSHIFT S4 E3, MT 1033 H L TURBO S4 E3, MLT 742 TURBO S4 E3, MLT 634 TURBO LSU SD E3, MLT 1035 L TURBO A LSU S4 E3, MLT 741 120 LSU S4 E3, MLT 741 120 LSU POWERSHIFT S4 E3, MLT 735 120 LSU S4 E3, MT 728 SD E3, MLT 634 120 LSU POWERSHIFT SD E3, MLT 731 TURBO SD E3, MT 928 SD E3, MLT 630 TURBO A LSU SD E3, MT 1030 S TURBO A S4 E3, MLT 731 TURBO A LSU SD E3, MT 1030 S S4 E3, MLT 1035 L TURBO LSU S4 E3, MLT 731 TURBO LSU SD E3, MT 932 SD E3 |
| 12 | 706997 | Plastic washer | | 5 | MLT 630 TURBO SD E3, MLT 634 120 LSU SD E3, MLT 731 TURBO A SD E3, MT 732 SD E3, MLT 742 H TURBO LSU S4 E3, MLT 630 TURBO A SD E3, MLT 742 LSU TURBO A S4 E3, MLT 735 120 LSU POWERSHIFT S4 E3, MT 1033 H L TURBO S4 E3, MLT 742 TURBO S4 E3, MLT 634 TURBO LSU SD E3, MLT 1035 L TURBO A LSU S4 E3, MLT 741 120 LSU S4 E3, MLT 741 120 LSU POWERSHIFT S4 E3, MLT 735 120 LSU S4 E3, MT 728 SD E3, MLT 634 120 LSU POWERSHIFT SD E3, MLT 731 TURBO SD E3, MT 928 SD E3, MLT 630 TURBO A LSU SD E3, MT 1030 S TURBO A S4 E3, MLT 731 TURBO A LSU SD E3, MT 1030 S S4 E3, MLT 1035 L TURBO LSU S4 E3, MLT 731 TURBO LSU SD E3, MT 932 SD E3 |
| 13 | 563829 | Insert | | 5 | MLT 630 TURBO SD E3, MLT 634 120 LSU SD E3, MLT 731 TURBO A SD E3, MT 732 SD E3, MLT 742 H TURBO LSU S4 E3, MLT 630 TURBO A SD E3, MLT 742 LSU TURBO A S4 E3, MLT 735 120 LSU POWERSHIFT S4 E3, MT 1033 H L TURBO S4 E3, MLT 742 TURBO S4 E3, MLT 634 TURBO LSU SD E3, MLT 1035 L TURBO A LSU S4 E3, MLT 741 120 LSU S4 E3, MLT 741 120 LSU POWERSHIFT S4 E3, MLT 735 120 LSU S4 E3, MT 728 SD E3, MLT 634 120 LSU POWERSHIFT SD E3, MLT 731 TURBO SD E3, MT 928 SD E3, MLT 630 TURBO A LSU SD E3, MT 1030 S TURBO A S4 E3, MLT 731 TURBO A LSU SD E3, MT 1030 S S4 E3, MLT 1035 L TURBO LSU S4 E3, MLT 731 TURBO LSU SD E3, MT 932 SD E3 |
| 14 | 563864 | Insert | | 3 | MLT 630 TURBO SD E3, MLT 634 120 LSU SD E3, MLT 731 TURBO A SD E3, MT 732 SD E3, MLT 742 H TURBO LSU S4 E3, MLT 630 TURBO A SD E3, MLT 742 LSU TURBO A S4 E3, MLT 735 120 LSU POWERSHIFT S4 E3, MT 1033 H L TURBO S4 E3, MLT 742 TURBO S4 E3, MLT 634 TURBO LSU SD E3, MLT 1035 L TURBO A LSU S4 E3, MLT 741 120 LSU S4 E3, MLT 741 120 LSU POWERSHIFT S4 E3, MLT 735 120 LSU S4 E3, MT 728 SD E3, MLT 634 120 LSU POWERSHIFT SD E3, MLT 731 TURBO SD E3, MT 928 SD E3, MLT 630 TURBO A LSU SD E3, MT 1030 S TURBO A S4 E3, MLT 731 TURBO A LSU SD E3, MT 1030 S S4 E3, MLT 1035 L TURBO LSU S4 E3, MLT 731 TURBO LSU SD E3, MT 932 SD E3 |

DRIVER CAB

8 AB 1191

POUR TYPE DE CABINE
FÜR KABINE TYPEN
PARA TIPO DE CABINA
FOR CAB TYPE
PER TIPO DI CABINA
□ 289 905

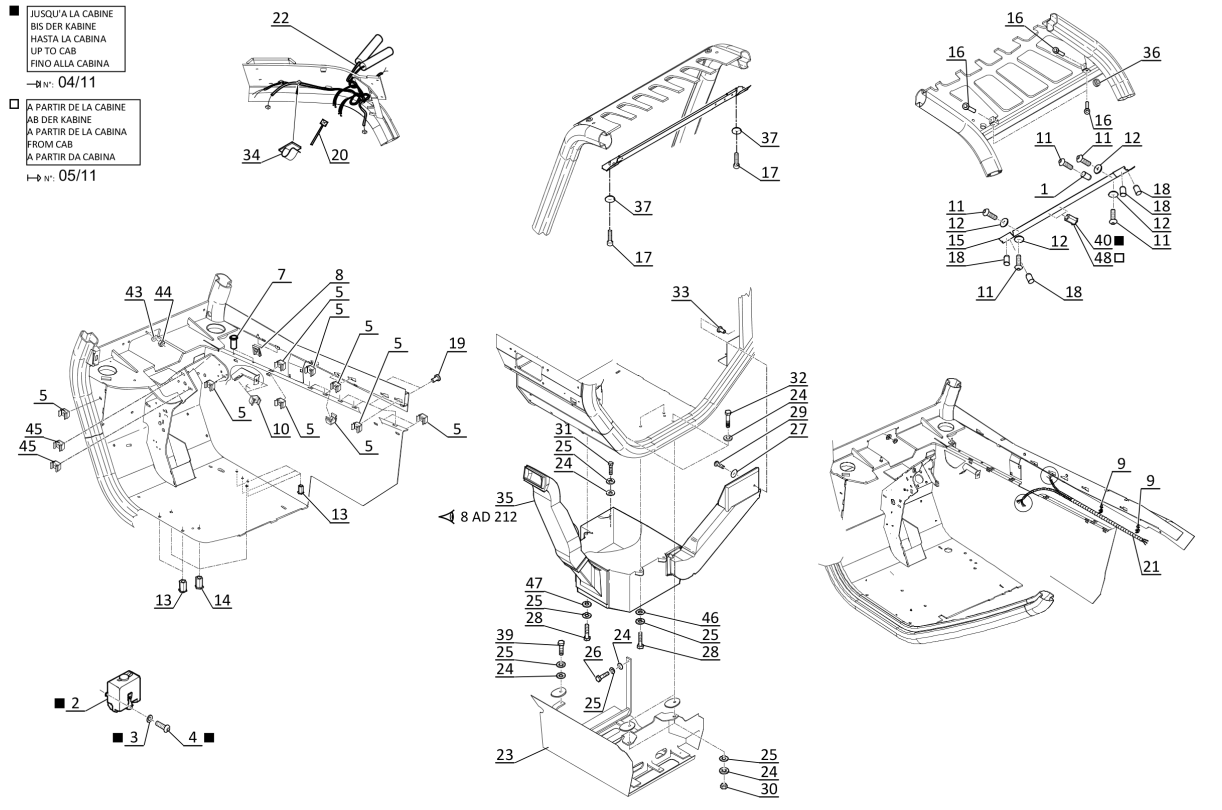
A PARTIR DE LA MACHINE
AB DER MASCHINE
A PARTIR DE LA MACCHINA
FROM MACHINE
A PARTIR DA MACCHINA
→ N°: 919 455

CABINE (Détails)
KABINE (Einzelteile)
CABINA (Detailles)
CAB (Details)
CABINA (Dettaglio)

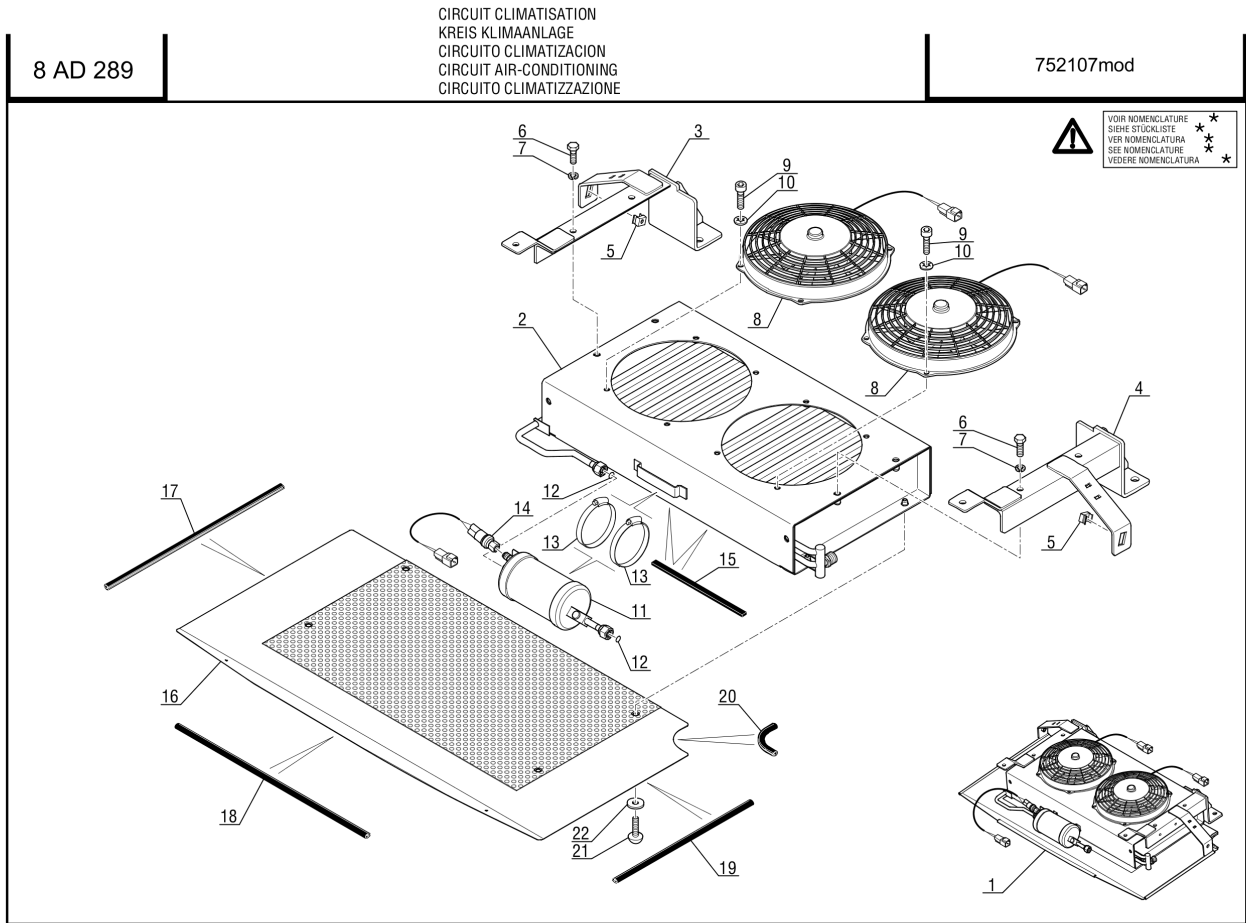
MT 732 S.E-E3
MT 932 S.E-E3
MT 1030 S Turbo S.5-E3

■ JUSQU'À LA CABINE
BIS DER KABINE
HASTA LA CABINA
UP TO CAB
FINO ALLA CABINA
→ N°: 04/11

□ A PARTIR DE LA CABINE
AB DER KABINE
A PARTIR DE LA CABINA
FROM CAB
A PARTIR DA CABINA
→ N°: 05/11



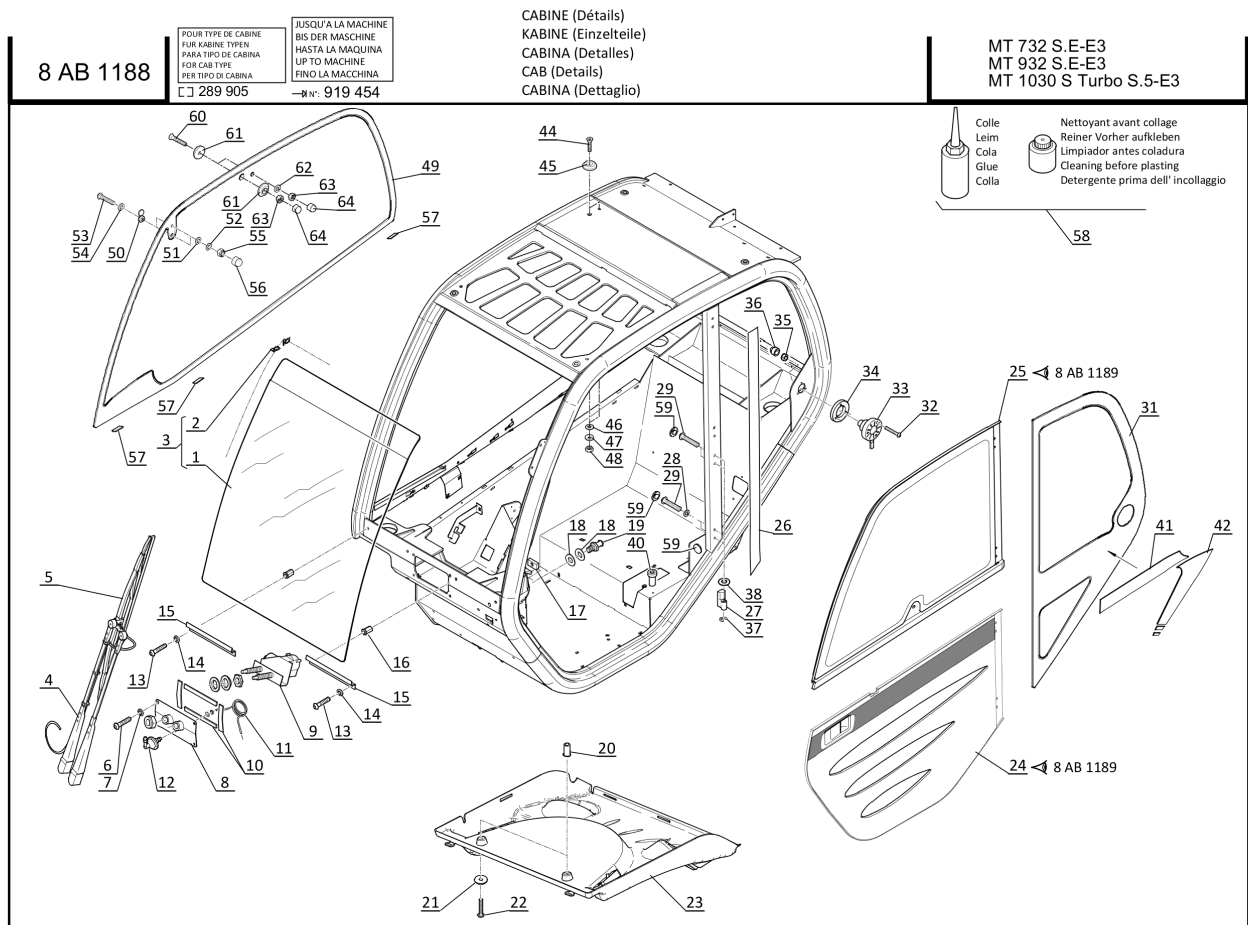
14 / 03 / 12
P.A.O. illus



06/10/09 P.A.O. ILLUS

| | | | Characteristics | - | Superseded Part Number | Product Type |
|----|--------|----------|-----------------|---|------------------------|---|
| 26 | 564904 | Adhesive | | | 1 | MLT 630 TURBO SD E3, MLT 634 120 LSU SD E3, MLT 731 TURBO A SD E3, MT 732 SD E3, MLT 742 H TURBO LSU S4 E3, MLT 630 TURBO A SD E3, MLT 742 LSU TURBO A S4 E3, MLT 735 120 LSU POWERSHIFT S4 E3, MT 1033 H L TURBO S4 E3, MLT 742 TURBO S4 E3, MLT 634 TURBO LSU SD E3, MLT 1035 L TURBO A LSU S4 E3, MLT 741 120 LSU S4 E3, MLT 741 120 LSU POWERSHIFT S4 E3, MLT 735 120 LSU S4 E3, MT 728 SD E3, MLT 634 120 LSU POWERSHIFT SD E3, MLT 731 TURBO SD E3, MT 928 SD E3, MLT 630 TURBO A LSU SD E3, MT 1030 S TURBO A S4 E3, MLT 731 TURBO A LSU SD E3, MT 1030 S S4 E3, MLT 1035 L TURBO LSU S4 E3, MLT 731 TURBO LSU SD E3, MT 932 SD E3 |
| 27 | 750437 | Hinge | | | 1 | 183358, 185328, 601397 MLT 630 TURBO SD E3, MLT 634 120 LSU SD E3, MLT 731 TURBO A SD E3, MT 732 SD E3, MLT 742 H TURBO LSU S4 E3, MLT 630 TURBO A SD E3, MLT 742 LSU TURBO A S4 E3, MLT 735 120 LSU POWERSHIFT S4 E3, MT 1033 H L TURBO S4 E3, MLT 742 TURBO S4 E3, MLT 634 TURBO LSU SD E3, MLT 1035 L TURBO A LSU S4 E3, MLT 741 120 LSU S4 E3, MLT 741 120 LSU POWERSHIFT S4 E3, MLT 735 120 LSU S4 E3, MT 728 SD E3, MLT 634 120 LSU POWERSHIFT SD E3, MLT 731 TURBO SD E3, MT 928 SD E3, MLT 630 TURBO A LSU SD E3, MT 1030 S TURBO A S4 E3, MLT 731 TURBO A LSU SD E3, MT 1030 S S4 E3, MLT 1035 L TURBO LSU S4 E3, MLT 731 TURBO LSU SD E3, MT 932 SD E3 |
| 28 | 61674 | Washer | M8 ZN12C/FE | | 1 | MLT 630 TURBO SD E3, MLT 634 120 LSU SD E3, MLT 731 TURBO A SD E3, MT 732 SD E3, MLT 742 H TURBO LSU S4 E3, MLT 630 TURBO A SD E3, MLT 742 LSU TURBO A S4 E3, MLT 735 120 LSU POWERSHIFT S4 E3, MT 1033 H L TURBO S4 E3, MLT 742 TURBO S4 E3, MLT 634 TURBO LSU SD E3, MLT 1035 L TURBO A LSU S4 E3, MLT 741 120 LSU S4 E3, MLT 741 120 LSU POWERSHIFT S4 E3, MLT 735 120 LSU S4 E3, MT 728 SD E3, MLT 634 120 LSU POWERSHIFT SD E3, MLT 731 TURBO SD E3, MT 928 SD E3, MLT 630 TURBO A LSU SD E3, MT 1030 S TURBO A S4 E3, MLT 731 TURBO A LSU SD E3, MT 1030 S S4 E3, MLT 1035 L TURBO LSU S4 E3, MLT 731 TURBO LSU SD E3, MT 932 SD E3 |
| 29 | 42325 | Washer | W 8 ZN | | 1 | MLT 630 TURBO SD E3, MLT 634 120 LSU SD E3, MLT 731 TURBO A SD E3, MT 732 SD E3, MLT 742 H TURBO LSU S4 E3, MLT 630 TURBO A SD E3, MLT 742 LSU TURBO A S4 E3, MLT 735 120 LSU POWERSHIFT S4 E3, MT 1033 H L TURBO S4 E3, MLT 742 TURBO S4 E3, MLT 634 TURBO LSU SD E3, MLT 1035 L TURBO A LSU S4 E3, MLT 741 120 LSU S4 E3, MLT 741 120 LSU POWERSHIFT S4 E3, MLT 735 120 LSU S4 E3, MT 728 SD E3, MLT 634 120 LSU POWERSHIFT SD E3, MLT 731 TURBO SD E3, MT 928 SD E3, MLT 630 TURBO A LSU SD E3, MT 1030 S TURBO A S4 E3, MLT 731 TURBO A LSU SD E3, MT 1030 S S4 E3, MLT 1035 L TURBO LSU S4 E3, MLT 731 TURBO LSU SD E3, MT 932 SD E3 |

| | | Characteristics | - | Superseded Part Number | Product Type |
|----|--------|-----------------|---|------------------------|---|
| 66 | 747878 | Reinforcing | | 1 | MLT 630 TURBO SD E3, MLT 634 120 LSU SD E3, MLT 731 TURBO A SD E3, MT 732 SD E3, MLT 742 H TURBO LSU S4 E3, MLT 630 TURBO A SD E3, MLT 742 LSU TURBO A S4 E3, MLT 735 120 LSU POWERSHIFT S4 E3, MT 1033 H L TURBO S4 E3, MLT 742 TURBO S4 E3, MLT 634 TURBO LSU SD E3, MLT 1035 L TURBO A LSU S4 E3, MLT 741 120 LSU S4 E3, MLT 741 120 LSU POWERSHIFT S4 E3, MLT 735 120 LSU S4 E3, MT 728 SD E3, MLT 634 120 LSU POWERSHIFT SD E3, MLT 731 TURBO SD E3, MT 928 SD E3, MLT 630 TURBO A LSU SD E3, MT 1030 S TURBO A S4 E3, MLT 731 TURBO A LSU SD E3, MT 1030 S S4 E3, MLT 1035 L TURBO LSU S4 E3, MLT 731 TURBO LSU SD E3, MT 932 SD E3 |



07 / 07 / 10
 P.A.O. illus

| | | | Characteristics | - | Superseded Part Number | Product Type |
|----|--------|---------------------------------------|-----------------|---|--|--|
| 23 | 564618 | Kit (Glue + Cleaning before plasting) | | | | MT 1030 S TURBO S5 E3, MT 732 SD E3, MT 1030 S TURBO S4 E3, MT 732 SE E3, MT-X 732 SD E3, MT 1030 S S4 E3, MT 928 SD E3, MT 728 SD E3, MT-X 1030 S TURBO S4 E3, MT 932 SD E3, MT 932 SE E3 |
| 24 | 563847 | Upper door, stripped | | | 797454 | MT 1030 S TURBO S5 E3, MT 732 SD E3, MT 1030 S TURBO S4 E3, MT 732 SE E3, MT-X 732 SD E3, MT 1030 S S4 E3, MT 928 SD E3, MT 728 SD E3, MT-X 1030 S TURBO S4 E3, MT 932 SD E3, MT 932 SE E3 |
| 25 | 25714 | Nut | H ,M 6 ZN | | | MT 1030 S TURBO S5 E3, MT 732 SD E3, MT 1030 S TURBO S4 E3, MT 732 SE E3, MT-X 732 SD E3, MT 1030 S S4 E3, MT 928 SD E3, MT 728 SD E3, MT-X 1030 S TURBO S4 E3, MT 932 SD E3, MT 932 SE E3 |
| 26 | 178125 | nut | | | 551388, 202396, 205057, 750417, 882656, 749796, 487554, 551880, 184035 | MT 1030 S TURBO S5 E3, MT 732 SD E3, MT 1030 S TURBO S4 E3, MT 732 SE E3, MT-X 732 SD E3, MT 1030 S S4 E3, MT 928 SD E3, MT 728 SD E3, MT-X 1030 S TURBO S4 E3, MT 932 SD E3, MT 932 SE E3 |
| 27 | 563848 | Housing | | | | MT 1030 S TURBO S5 E3, MT 732 SD E3, MT 1030 S TURBO S4 E3, MT 732 SE E3, MT-X 732 SD E3, MT 1030 S S4 E3, MT 928 SD E3, MT 728 SD E3, MT-X 1030 S TURBO S4 E3, MT 932 SD E3, MT 932 SE E3 |
| 28 | 194673 | Plastic washer | | | | MT 1030 S TURBO S5 E3, MT 732 SD E3, MT 1030 S TURBO S4 E3, MT 732 SE E3, MT-X 732 SD E3, MT 1030 S S4 E3, MT 928 SD E3, MT 728 SD E3, MT-X 1030 S TURBO S4 E3, MT 932 SD E3, MT 932 SE E3 |
| 29 | 189172 | Screw | | | | MT 1030 S TURBO S5 E3, MT 732 SD E3, MT 1030 S TURBO S4 E3, MT 732 SE E3, MT-X 732 SD E3, MT 1030 S S4 E3, MT 928 SD E3, MT 728 SD E3, MT-X 1030 S TURBO S4 E3, MT 932 SD E3, MT 932 SE E3 |
| 30 | 551577 | hook | | | 750460, 551413 | MT 1030 S TURBO S5 E3, MT 732 SD E3, MT 1030 S TURBO S4 E3, MT 732 SE E3, MT-X 732 SD E3, MT 1030 S S4 E3, MT 928 SD E3, MT 728 SD E3, MT-X 1030 S TURBO S4 E3, MT 932 SD E3, MT 932 SE E3 |
| 31 | 29441 | screw | | | | MT 1030 S TURBO S5 E3, MT 732 SD E3, MT 1030 S TURBO S4 E3, MT 732 SE E3, MT-X 732 SD E3, MT 1030 S S4 E3, MT 928 SD E3, MT 728 SD E3, MT-X 1030 S TURBO S4 E3, MT 932 SD E3, MT 932 SE E3 |
| 32 | 600940 | Door locking | | | 798720 | MT 1030 S TURBO S5 E3, MT 732 SD E3, MT 1030 S TURBO S4 E3, MT 732 SE E3, MT-X 732 SD E3, MT 1030 S S4 E3, MT 928 SD E3, MT 728 SD E3, MT-X 1030 S TURBO S4 E3, MT 932 SD E3, MT 932 SE E3 |
| 33 | 185361 | hinge | | | 562387, 203452, 189470, 453956, 750457, 179138, 183398 | MT 1030 S TURBO S5 E3, MT 732 SD E3, MT 1030 S TURBO S4 E3, MT 732 SE E3, MT-X 732 SD E3, MT 1030 S S4 E3, MT 928 SD E3, MT 728 SD E3, MT-X 1030 S TURBO S4 E3, MT 932 SD E3, MT 932 SE E3 |

| | | Characteristics | - | Superseded Part Number | Product Type |
|---|--------|-----------------|---|------------------------|---|
| 0 | 697182 | Roof sun shade | | 1 | MT 732 SD E3, MT 1030 S TURBO S4 E3, MT 1030 S S4 E3, MT 1033 H L TURBO S4 E3, MT 932 SD E3 |
| 1 | 224753 | Sun shade kit | | 1 | 624337, 624854, 575317ACC, 775481, 697181, 697182, 575317, 652166, 659348, 697181ACC, 697182ACC |
| 2 | 600730 | Sun shade | | 1 | 600989 |
| 3 | 564054 | Screw | | 1 | MT 732 SD E3, MT 1030 S TURBO S4 E3, MT 1030 S S4 E3, MT 1033 H L TURBO S4 E3, MT 932 SD E3 |

8 AA 691

ESSUIE GLACE DE TOIT
ABWISCHEN SIE DACHEIS
LIMPIA HIELO DE TECHO
WINDSCREEN OF ROOF
PULISCE GHIACCIO DI TETTO

751757mod

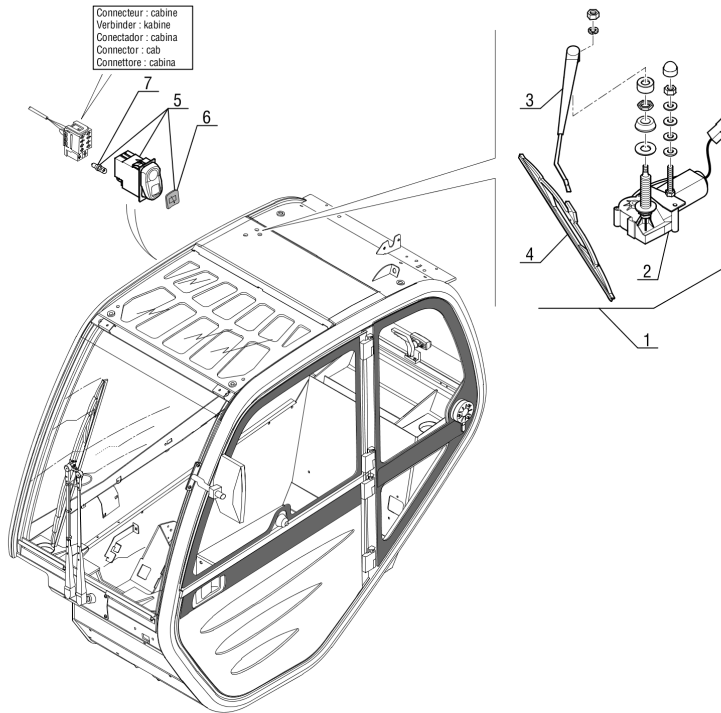


POUR LES PIÈCES NON REPÉRÉES, VOIR MONTAGE STANDARD
TEILE OHNE POS.-NR. SIEHE STANDARDMONTAGE
PIEZAS NO IDENTIFICADAS, VER MONTAJE ESTÁNDAR
PLEASE SEE STANDARD INSTALLATION FOR PARTS WITHOUT
ITEMS



VOIR NOMENCLATURE
SIEHE STÜCKLISTE
VER NOMENCLATURA
SEE NOMENCLATURE
VEDERE NOMENCLATURA

Connecteur : cabine
Verbinder : kabine
Conector : cabina
Connector : cab
Connettore : cabina



P.A.O. ILLUS
07 / 10 / 09

| | | Characteristics | - | Superseded Part Number | Product Type |
|----|--------|--------------------------|---|------------------------|--|
| 1 | 253006 | Complete seat | | 1 | MT 732 SD E3, MT 1030 S TURBO S4 E3, MT 1030 S S4 E3, MT 928 SD E3, MT 728 SD E3, MT 932 SD E3 |
| 2 | 476301 | Seat back | | 1 | MT 732 SD E3, MT 1030 S TURBO S4 E3, MT 1030 S S4 E3, MT 928 SD E3, MT 728 SD E3, MT 932 SD E3 |
| 3 | 706094 | Seat cushion assembly | | 1 | MT 732 SD E3, MT 1030 S TURBO S4 E3, MT 1030 S S4 E3, MT 928 SD E3, MT 728 SD E3, MT 932 SD E3 |
| 4 | 476983 | Kit of slides | | 1 | MT 732 SD E3, MT 1030 S TURBO S4 E3, MT 1030 S S4 E3, MT 928 SD E3, MT 728 SD E3, MT 932 SD E3 |
| 5 | 476924 | Damper | | 1 | MT 732 SD E3, MT 1030 S TURBO S4 E3, MT 1030 S S4 E3, MT 928 SD E3, MT 728 SD E3, MT 932 SD E3 |
| 6 | 476984 | Spring | | 2 | MT 732 SD E3, MT 1030 S TURBO S4 E3, MT 1030 S S4 E3, MT 928 SD E3, MT 728 SD E3, MT 932 SD E3 |
| 7 | 476985 | Bushing | | 4 | MT 732 SD E3, MT 1030 S TURBO S4 E3, MT 1030 S S4 E3, MT 928 SD E3, MT 728 SD E3, MT 932 SD E3 |
| 8 | 476986 | Weight adjustment handle | | 1 | MT 732 SD E3, MT 1030 S TURBO S4 E3, MT 1030 S S4 E3, MT 928 SD E3, MT 728 SD E3, MT 932 SD E3 |
| 9 | 476987 | Suspension cover | | 1 | MT 732 SD E3, MT 1030 S TURBO S4 E3, MT 1030 S S4 E3, MT 928 SD E3, MT 728 SD E3, MT 932 SD E3 |
| 10 | 207300 | Seat belt | | 1 | 564589, 170838, 564020, 724964 MT 732 SD E3, MT 1030 S TURBO S4 E3, MT 1030 S S4 E3, MT 928 SD E3, MT 728 SD E3, MT 932 SD E3 |

| Characteristics | | | - | Superseded Part Number | Product Type | |
|-----------------|-----------|---------------------|---|------------------------|--------------|--|
| 1 | 224734BIS | NO LONGER AVAILABLE | | 1 | 224734 | MLT 634 120 LSU POWERSHIFT SC E2, MLT 634 120 LSU POWERSHIFT SE E3, MLT 634 120 LSU SB E2, MLT 731 TURBO SC E2, MLT 630 TURBO SB E2, MLT 731 TURBO SE E3, MLB 625 TURBO EX S1 E2, MLT 634 120 LSU SF E3, MLT 735 120 LSU POWERSHIFT S4 E3, MLT 634 TURBO LSU SF E3, MLT 735 100 LSU S7 E3, MLT 735 120 LSU POWER, CT 7-23 TURBO SD E3, MLT 630 120 LSU SB E2, MLT 634 120 LSU POWERSHIFT SG E3, MLT 1035 L TURBO LSU S3 E2, MLT 1035 L TURBO LSU S5 E3, MLT 731 TURBO LSU SC E2, MLT 634 120 LSU SC E2, MLT 1035 L TURBO LSU S6 E3, MLT 630 TURBO SC E2, MLT 634 120 LSU POWERSHIFT SD E3, MLT 731 TURBO SF E3, MLT 634 120 LSU SE E3, MLT 731 TURBO SD E3, MLT 1030 S TURBO S5 E3, MLT 731 TURBO SB E2, MLB 625 TURBO CONFORT S1 E2, MLT 634 TURBO LSU SB E2, MLT 735 120 LSU POWERSHIFT S5 E3, MLT 634 120 LSU SG E3, MLT 731 TURBO LSU SB E2 USA, MLT 735 120 LSU POWERSHIFT S3 E2, MLT 735 120 LSU POWERSHIFT S2 E2, MLB 625 TURBO S1 E2, MLT 634 TURBO LSU SE E3, MLT 634 TURBO LSU SC E2, MLT 732 SE E3, MLT 731 TURBO LSU SB E2, MLB 625 TURBO CONFORT EX S1 E2, MLT 634 120 LSU POWERSHIFT SB E2 |
| 2 | 563778 | flange | | 1 | | MT-X 732 SD E3, MT-X 1030 S TURBO S4 E3 |
| 2 | 563778 | flange | | 2 | | MLT 634 120 LSU POWERSHIFT SC E2, MLT 634 120 LSU POWERSHIFT SE E3, MLT 634 120 LSU SB E2, MLT 731 TURBO SC E2, MLT 630 TURBO SB E2, MLT 731 TURBO SE E3, MLB 625 TURBO EX S1 E2, MLT 634 120 LSU SF E3, MLT 735 120 LSU POWERSHIFT S4 E3, MLT 634 TURBO LSU SF E3, MLT 735 100 LSU S7 E3, MLT 735 120 LSU POWER, CT 7-23 TURBO SD E3, MLT 630 120 LSU SB E2, MLT 634 120 LSU POWERSHIFT SG E3, MLT 1035 L TURBO LSU S3 E2, MLT 1035 L TURBO LSU S5 E3, MLT 731 TURBO LSU SC E2, MLT 634 120 LSU SC E2, MLT 1035 L TURBO LSU S6 E3, MLT 630 TURBO SC E2, MLT 634 120 LSU POWERSHIFT SD E3, MLT 731 TURBO SF E3, MLT 634 120 LSU SE E3, MLT 731 TURBO SD E3, MLT 1030 S TURBO S5 E3, MLT 731 TURBO SB E2, MLB 625 TURBO CONFORT S1 E2, MLT 634 TURBO LSU SB E2, MLT 735 120 LSU POWERSHIFT S5 E3, MLT 634 120 LSU SG E3, MLT 731 TURBO LSU SB E2 USA, MLT 735 120 LSU POWERSHIFT S3 E2, MLT 735 120 LSU POWERSHIFT S2 E2, MLB 625 TURBO S1 E2, MLT 634 TURBO LSU SE E3, MLT 634 TURBO LSU SC E2, MLT 732 SE E3, MLT 731 TURBO LSU SB E2, MLB 625 TURBO CONFORT EX S1 E2, MLT 634 120 LSU POWERSHIFT SB E2 |

CLICK HERE TO **DOWNLOAD** THE COMPLETE MANUAL

- Thank you very much for reading the preview of the manual.
- You can download the complete manual from: www.heydownloads.com by clicking the link below



- Please note: If there is no response to CLICKING the link, please download this PDF first and then click on it.

CLICK HERE TO **DOWNLOAD** THE COMPLETE MANUAL