



**GENUINE PARTS CATALOGUE  
CATALOGUE PIECES D'ORIGINE  
ORIGINAL ERSATZTEILKATALOG  
CATALOGO DE PIEZAS LEGITIMAS  
CATALOGO RICAMBI ORIGINALI**

This document has been printed from  **mye doc**

**MANITOU BF**

Head office: 430, Rue de l'Aubinière  
44150 Ancenis - FRANCE  
Share capital: 39,548,949 euros  
857 802 508 RCS Nantes  
Tel: +33 (0)2 40 09 10 11  
[www.manitou.com](http://www.manitou.com)

CLICK HERE TO **DOWNLOAD** THE COMPLETE MANUAL

- Thank you very much for reading the preview of the manual.
- You can download the complete manual from: [www.heydownloads.com](http://www.heydownloads.com) by clicking the link below



- Please note: If there is no response to CLICKING the link, please download this PDF first and then click on it.

CLICK HERE TO **DOWNLOAD** THE COMPLETE MANUAL

Позиция	№ детали	Название	Characteristics	К-во	SupersededPart Number	Product Type
40	307508	Adhesive		1		MLT 625-75 H ST3B
41	52521685	Adhesive		1		MLT 625-75 H ST3B
42	52524993	Adhesive		1		MLT 625-75 H ST3B

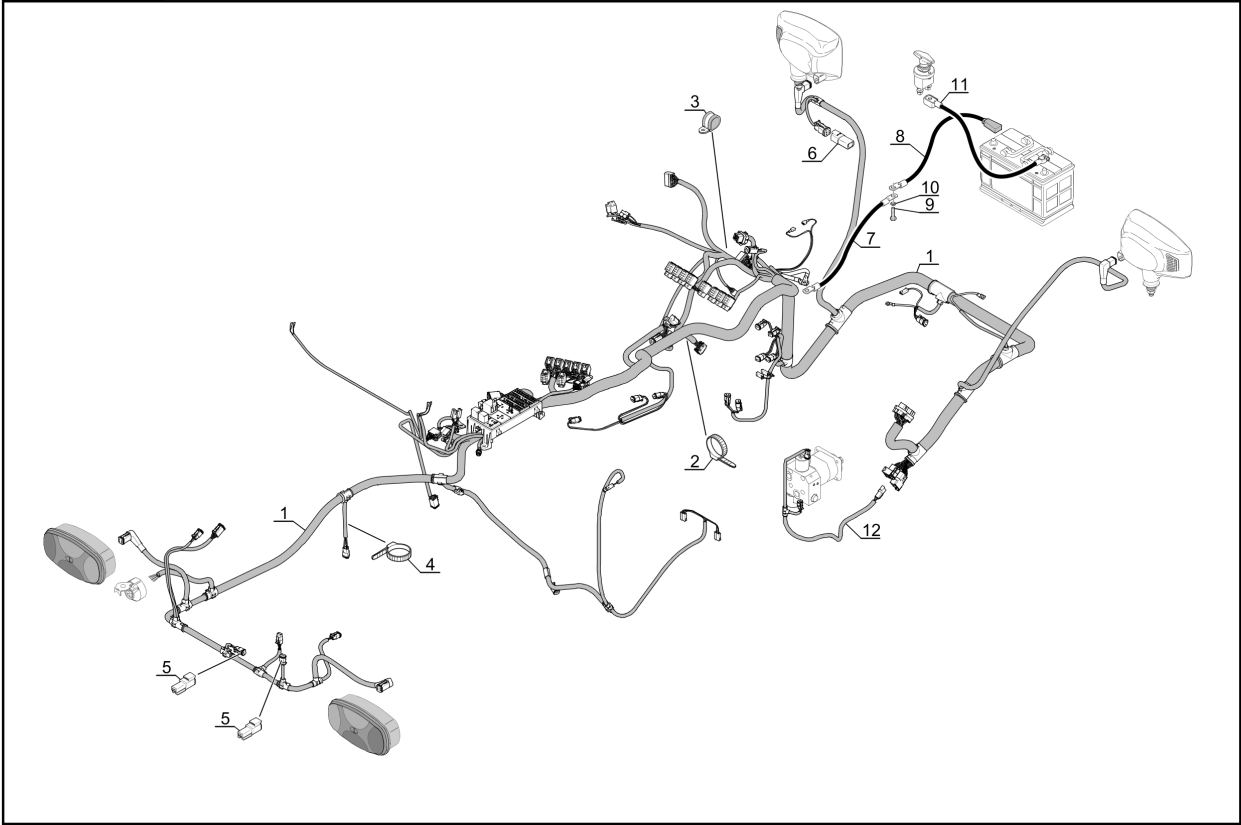
Позиция	№ детали	Название	Characteristics	К-во	Superseded Part Number	Product Type
1	52501462	Complete engine bonnet		1		MLT 625-75 H ST3B
2	281644	Weatherstrip		1		MLT 625-75 H ST3B
3	281645	Weatherstrip		1		MLT 625-75 H ST3B
4	281643	Weatherstrip		1		MLT 625-75 H ST3B
5	281646	Weatherstrip		1		MLT 625-75 H ST3B
6	251098	handle		1		MLT 625-75 H ST3B
7	704717	cam		1		MLT 625-75 H ST3B
8	184828	Hinge		2		MLT 625-75 H ST3B
9	281647	Weatherstrip		1		MLT 625-75 H ST3B
10	292380	Protection		1		MLT 625-75 H ST3B
11	184818	Key		1		MLT 625-75 H ST3B
12	283983	Plate		2		MLT 625-75 H ST3B
13	29441	Screw		6		MLT 625-75 H ST3B
14	52501858	Air spring bracket		1		MLT 625-75 H ST3B
15	54951	Screw		2		MLT 625-75 H ST3B
16	61674	Washer	M8 ZN12C/FE	2		MLT 625-75 H ST3B
17	240923	spring		1		MLT 625-75 H ST3B
18	54242	Nut		2		MLT 625-75 H ST3B
19	52503233	Cover plate		1		MLT 625-75 H ST3B
20	54951	Screw		4		MLT 625-75 H ST3B
21	61674	Washer	M8 ZN12C/FE	4		MLT 625-75 H ST3B
22	286664	Fastening plate		1		MLT 625-75 H ST3B
23	54951	Screw		4		MLT 625-75 H ST3B
24	61674	Washer	M8 ZN12C/FE	4		MLT 625-75 H ST3B
25	240675	housing		1		MLT 625-75 H ST3B
26	25713	Screw	H,M 6- 16-8.8-ZN5/C	2		MLT 625-75 H ST3B
27	29469	Washer	M 6	2		MLT 625-75 H ST3B
28	52503230	Lower housing		1		MLT 625-75 H ST3B
29	259601	Screw	H EMB M 8-20	4		MLT 625-75 H ST3B
30	289536	Housing		1		MLT 625-75 H ST3B
31	25713	Screw	H,M 6- 16-8.8-ZN5/C	6		MLT 625-75 H ST3B
32	29469	Washer	M 6	6		MLT 625-75 H ST3B
33	289538	Fastening plate		1		MLT 625-75 H ST3B
34	204665	Nut		1		MLT 625-75 H ST3B
35	25713	Screw	H,M 6- 16-8.8-ZN5/C	2		MLT 625-75 H ST3B
36	29469	Washer	M 6	2		MLT 625-75 H ST3B
37	285564	Fastening plate		1		MLT 625-75 H ST3B
38	42347	Screw	H,M 8- 20-8.8-ZN8/C	2		MLT 625-75 H ST3B

Позиция	№ детали	Название	Characteristics	К-во	Superseded Part Number	Product Type
39	239781	Hose		1		MT 625 H T ST3B
40	194616	Connection		1		MT 625 H T ST3B
41	281129	Bracket sheat		1		MT 625 H T ST3B
42	261493	Screw		6		MT 625 H T ST3B
43	61674	Washer	M8 ZN12C/FE	6		MT 625 H T ST3B
44	234805	Adhesive		1		MT 625 H T ST3B

11 AA 1806

CIRCUIT ELECTRIQUE  
STROMKREIS  
CIRCUITO ELECTRICO  
ELECTRIC CIRCUIT  
IMPIANTO ELETTRICO

MLT 625-75 H ST3B



18/02/14

P.A.O. ILLUS

Позиция	№ детали	Название	Characteristics	К-во	Superseded Part Number	Product Type
0	284404	Service plate lighting kit		1		MT 625 H T ST3B, MT 625 H COMF ST3B, MLT 625-75 H ST3B
1	227330	lamp		2		MT 625 H T ST3B, MT 625 H COMF ST3B, MLT 625-75 H ST3B
2	676	bulb		2	A4132221 A, 551447, 55241F21 2071, 677, 449151, 56614205 4071, 58529FP2 1071, 55625F20 4071, 61799, 162275, A1290064 18	MT 625 H T ST3B, MT 625 H COMF ST3B, MLT 625-75 H ST3B
3	171288	Clamp		2		MT 625 H T ST3B, MT 625 H COMF ST3B, MLT 625-75 H ST3B
4	192310	Washer		2		MT 625 H T ST3B, MT 625 H COMF ST3B, MLT 625-75 H ST3B
5	54232	Nut		5		MT 625 H T ST3B, MT 625 H COMF ST3B, MLT 625-75 H ST3B
6	287189	Plate bracket		1		MT 625 H T ST3B, MT 625 H COMF ST3B, MLT 625-75 H ST3B
7	252767	Sticker (machine)		1		MT 625 H T ST3B, MT 625 H COMF ST3B, MLT 625-75 H ST3B
8	79533	Screw		1		MT 625 H T ST3B, MT 625 H COMF ST3B, MLT 625-75 H ST3B
9	237841	Clamp		1		MT 625 H T ST3B, MT 625 H COMF ST3B, MLT 625-75 H ST3B
10	287190	Wiring harness		1		MT 625 H T ST3B, MT 625 H COMF ST3B, MLT 625-75 H ST3B

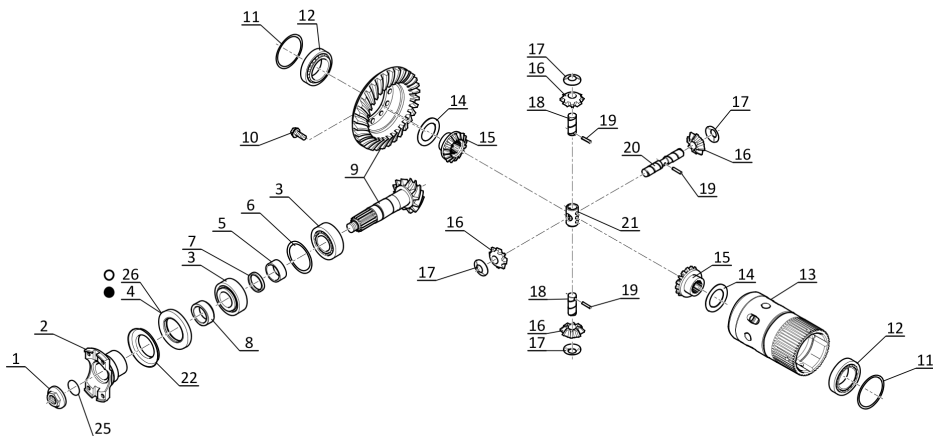
AX 1916

POUR ESSIEU ARRIERE  
FÜR INTERACHSE  
PARA EJE TRASERO  
FOR REAR AXLE  
PER ASSALE POSTERIORE  
□ Type : 221 / 102  
□ Ref : 274 034

DIFFERENTIEL ESSIEU ARRIERE  
HINTERACHSEDIFFERENTIAL  
DIFERENCIAL EJE TRASERO  
REAR AXLE DIFFERENTIAL  
DIFFERENZIALE ASSALE POSTERIORE

274034mod

- JUSQU'A L' ESSIEU  
BIS DER ACHSE  
HASTA EL EJE  
UP TO AXLE  
FINO PONTE  
→ N° : M.HUN.111 582
- A PARTIR DE L' ESSIEU  
AB DER ACHSE  
A PARTIR DEL EJE  
FROM AXLE  
A PARTIR DEL PONTE  
→ N° : M.HUN.111 583



P.A.O. Illus  
10 / 09 / 10

Позиция	№ детали	Название	Characteristics	К-во	Superse- dedPart Number	Product Type
16	703085	Pivot pin		1		MT 625 TURBO S1 E3, MT 625 TURBO COMFORT S2 E3, MT 625 TURBO S2 E3, MT-X 625 TURBO COMFORT S2 E3, MT 625 H COMFORT ST3B, MT 625 H Turbo ST3B, MT-X 625 TURBO S2 E3, MLT 625-75 H S1 E3, MT 625 TURBO COMFORT S1 E3, MLT-X 625-75 H S1 E3
19	748943	Steering case		1		MT 625 TURBO S1 E3, MT 625 TURBO COMFORT S2 E3, MT 625 TURBO S2 E3, MT-X 625 TURBO COMFORT S2 E3, MT 625 H COMFORT ST3B, MT 625 H Turbo ST3B, MT-X 625 TURBO S2 E3, MLT 625-75 H S1 E3, MT 625 TURBO COMFORT S1 E3, MLT-X 625-75 H S1 E3
20	748944	Steering case		1		MT 625 TURBO S1 E3, MT 625 TURBO COMFORT S2 E3, MT 625 TURBO S2 E3, MT-X 625 TURBO COMFORT S2 E3, MT 625 H COMFORT ST3B, MT 625 H Turbo ST3B, MT-X 625 TURBO S2 E3, MLT 625-75 H S1 E3, MT 625 TURBO COMFORT S1 E3, MLT-X 625-75 H S1 E3
21	748493	Plug		1		MT 625 TURBO S1 E3, MT 625 TURBO COMFORT S2 E3, MT 625 TURBO S2 E3, MT-X 625 TURBO COMFORT S2 E3, MT 625 H COMFORT ST3B, MT 625 H Turbo ST3B, MT-X 625 TURBO S2 E3, MLT 625-75 H S1 E3, MT 625 TURBO COMFORT S1 E3, MLT-X 625-75 H S1 E3
22	717507	Seal		1		MT 625 TURBO S1 E3, MT 625 TURBO COMFORT S2 E3, MT 625 TURBO S2 E3, MT-X 625 TURBO COMFORT S2 E3, MT 625 H COMFORT ST3B, MT 625 H Turbo ST3B, MT-X 625 TURBO S2 E3, MLT 625-75 H S1 E3, MT 625 TURBO COMFORT S1 E3, MLT-X 625-75 H S1 E3
23	704616	Wheel stud		1		MT 625 TURBO S1 E3, MT 625 TURBO COMFORT S2 E3, MT 625 TURBO S2 E3, MT-X 625 TURBO COMFORT S2 E3, MT 625 H COMFORT ST3B, MT 625 H Turbo ST3B, MT-X 625 TURBO S2 E3, MLT 625-75 H S1 E3, MT 625 TURBO COMFORT S1 E3, MLT-X 625-75 H S1 E3
25	106533	"0" ring		1		MT 625 TURBO S1 E3, MT 625 TURBO COMFORT S2 E3, MT 625 TURBO S2 E3, MT-X 625 TURBO COMFORT S2 E3, MT 625 H COMFORT ST3B, MT 625 H Turbo ST3B, MT-X 625 TURBO S2 E3, MLT 625-75 H S1 E3, MT 625 TURBO COMFORT S1 E3, MLT-X 625-75 H S1 E3
26	562514	Circlip		1		MT 625 TURBO S1 E3, MT 625 TURBO COMFORT S2 E3, MT 625 TURBO S2 E3, MT-X 625 TURBO COMFORT S2 E3, MT 625 H COMFORT ST3B, MT 625 H Turbo ST3B, MT-X 625 TURBO S2 E3, MLT 625-75 H S1 E3, MT 625 TURBO COMFORT S1 E3, MLT-X 625-75 H S1 E3
27	564133	Gear ring		1		MT 625 TURBO S1 E3, MT 625 TURBO COMFORT S2 E3, MT 625 TURBO S2 E3, MT-X 625 TURBO COMFORT S2 E3, MT 625 H COMFORT ST3B, MT 625 H Turbo ST3B, MT-X 625 TURBO S2 E3, MLT 625-75 H S1 E3, MT 625 TURBO COMFORT S1 E3, MLT-X 625-75 H S1 E3

Позиция	№ детали	Название	Characteristics	К-во	Superse dedPart Number	Product Type
0	52500584	Front axle		1		52500584MO
1	737434	Gear		1		52500584MO
2	703105	Circlip		1		52500584MO
3	107652	Bearing		1		52500584MO
4	703106	Circlip		1		52500584MO
5	881383	Air breather		1		52500584MO
6	745612	Spacer		1		52500584MO
7	703049	Bearing		2		52500584MO
8	703107	Nut		1		52500584MO
9	929003	Shim kit		1		52500584MO
10	929002	Shim kit		1		52500584MO
11	748948	Bevel drive gear		1		52500584MO
12	940428	Shim kit		1		52500584MO
13	133066	Taper roller bearing		1	518616, 401944, 97600320 1071, 111673, A4108996 A, A3620021, Q28550	52500584MO
14	748949	Differential housing		1		52500584MO
15	703110	Washer		1		52500584MO
16	748950	Planetary		1		52500584MO
17	747312	Differential spider pinion		4		52500584MO
18	703063	Washer		4		52500584MO
19	748940	Pin		2		52500584MO
20	703065	Pin		3		52500584MO
21	748941	Pin		1		52500584MO
22	745600	Cross piece		1		52500584MO
23	748491	Planetary		1		52500584MO
24	745597	Screw		12		52500584MO
25	745602	Friction washer		1		52500584MO
26	703116	Circlip		1		52500584MO
27	940429	Shim kit		1		52500584MO
28	562504	Bearing		1		52500584MO
29	703115	Circlip		1		52500584MO
30	703119	Bearing		1		52500584MO
31	703118	Clutch disc		7		52500584MO
32	703114	Clutch disc		8		52500584MO
33	703125	Seal		1		52500584MO
34	133056	Bearing		1		52500584MO
35	737435	Gear		1		52500584MO

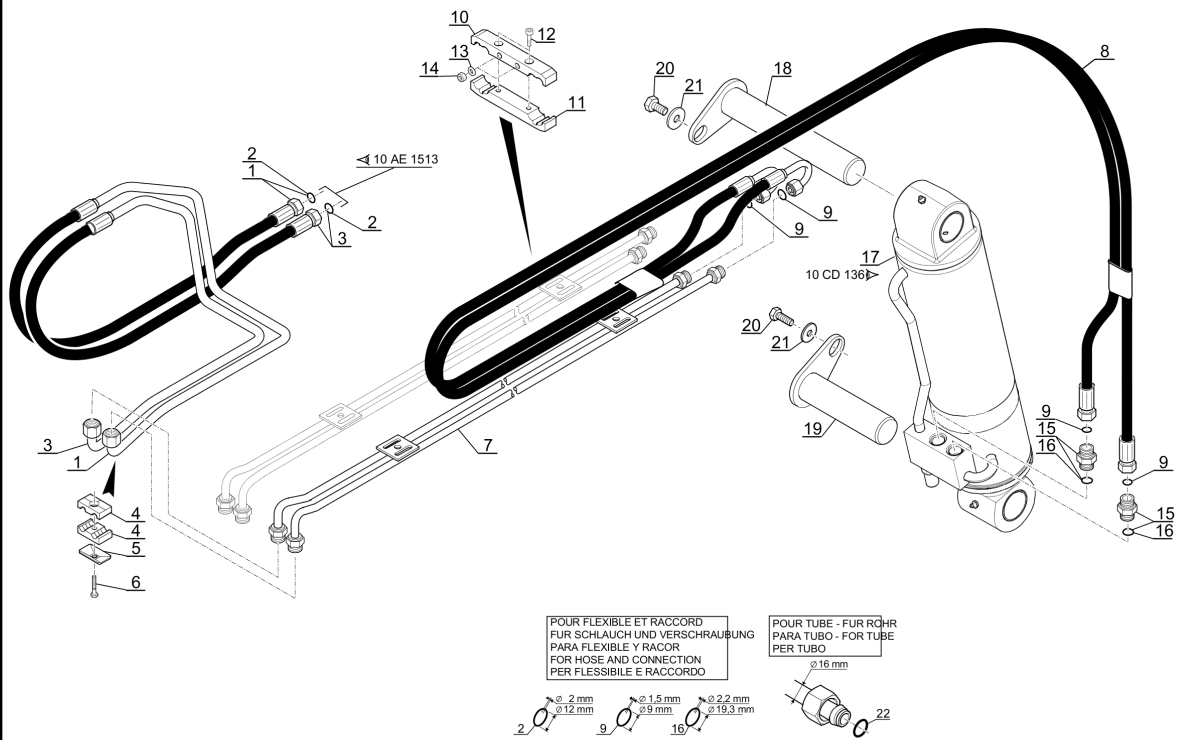
Позиция	№ детали	Название	Characteristics	К-во	SupersededPart Number	Product Type
1	250310	Complete wheel		4		MLT 625-75 H ST3B
2	662099	Tyre		1	169184	MLT 625-75 H ST3B
3	52500902	Wheel, stripped		1	250308	MLT 625-75 H ST3B
4	60665	Valve		1		MLT 625-75 H ST3B
5	781678	nut		32	245767, 109480	MLT 625-75 H ST3B

Позиция	№ детали	Название	Characteristics	К-во	Superseded Part Number	Product Type
27	54305	Screw	H, M 6-30-8.8-ZN5/C	6		MT 625 H T ST3B, MT 625 H COMF ST3B, MLT 625-75 H ST3B
28	286938	Hose		1		MT 625 H T ST3B, MT 625 H COMF ST3B, MLT 625-75 H ST3B
29	261385	Connection		1		MT 625 H T ST3B, MT 625 H COMF ST3B, MLT 625-75 H ST3B
30	202292	Connection		1		MT 625 H T ST3B, MT 625 H COMF ST3B, MLT 625-75 H ST3B
31	177588	"O" ring		X		MT 625 H T ST3B, MT 625 H COMF ST3B, MLT 625-75 H ST3B
32	168845	Protection plate		3		MT 625 H T ST3B, MT 625 H COMF ST3B, MLT 625-75 H ST3B
33	264277	Fastening plate		1		MT 625 H T ST3B, MT 625 H COMF ST3B, MLT 625-75 H ST3B
34	190874	"O" ring		X		MT 625 H T ST3B, MT 625 H COMF ST3B, MLT 625-75 H ST3B

10 AE 1517

HYDRAULIQUE (Circuit inclinaison)  
 HYDRAULIK (Neigung kreis)  
 HIDRAULICO (Circuito inclinación)  
 HYDRAULIC (Tilting circuit)  
 IDRAULICO (Circuito inclinazione)

MLT 625-75 H ST3B



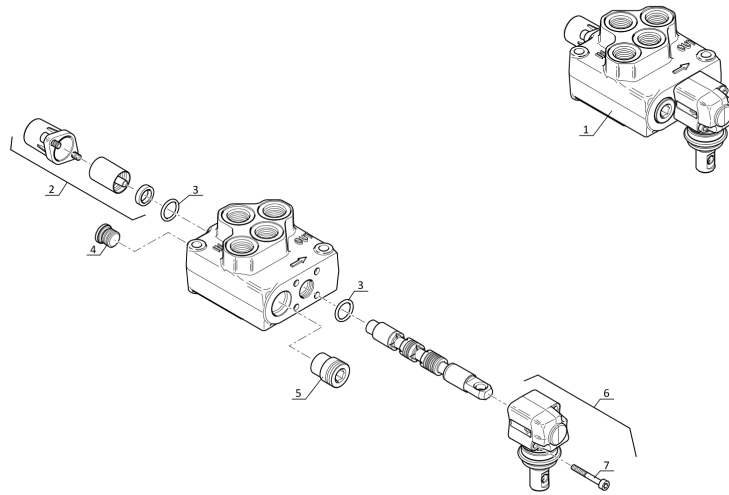
P.A.C. illus  
 13 / 01 / 14

Позиция	№ детали	Название	Characteristics	К-во	Superse dedPart Number	Product Type
1	280010	Hose		1		MLT 625-75 H ST3B
2	280008	Hose		1		MLT 625-75 H ST3B
3	219457	"0" ring		1		MLT 625-75 H ST3B
4	189956	"0" ring		1		MLT 625-75 H ST3B
5	290465	Clamp bracket		1		MLT 625-75 H ST3B
6	57446	Screw		4		MLT 625-75 H ST3B
7	61674	Washer	M8 ZN12C/FE	4		MLT 625-75 H ST3B
8	168855	Half-clamp		2		MLT 625-75 H ST3B
9	170387	Half-clamp		6		MLT 625-75 H ST3B
10	168854	Protection plate		4		MLT 625-75 H ST3B
11	282221	Screw		2		MLT 625-75 H ST3B
12	58528	Nut	H M8 ZN	2		MLT 625-75 H ST3B
13	281129	Bracket sheat		2		MLT 625-75 H ST3B
14	261493	Screw		6		MLT 625-75 H ST3B
15	61674	Washer	M8 ZN12C/FE	6		MLT 625-75 H ST3B
17	275764	Half-flange		4		MLT 625-75 H ST3B
18	282223	Screw		2		MLT 625-75 H ST3B
19	193325	Connection		2		MLT 625-75 H ST3B
20	167925	Connection		2		MLT 625-75 H ST3B
21	169373	"0" ring		1		MLT 625-75 H ST3B
22	52519383	Telescope cylinder		1	52500828	MLT 625-75 H ST3B
23	275317	Screw		4		MLT 625-75 H ST3B
24	77711	Washer		4		MLT 625-75 H ST3B
25	259792	Slide block		2		MLT 625-75 H ST3B
26	261498	Screw		4		MLT 625-75 H ST3B
27	294329	Bracket sheat		1		MLT 625-75 H ST3B
28	261493	Screw		6		MLT 625-75 H ST3B
29	61674	Washer	M8 ZN12C/FE	10		MLT 625-75 H ST3B
30	261503	Screw		4		MLT 625-75 H ST3B
31	275298	Washer		1		MLT 625-75 H ST3B
32	279701	Washer		1		MLT 625-75 H ST3B
33	228798	Nut		1	165292	MLT 625-75 H ST3B
34	282719	Half-clamp		2		MLT 625-75 H ST3B
35	282690	Half-clamp		4		MLT 625-75 H ST3B
36	174548	Connection		1		MLT 625-75 H ST3B
37	193325	Connection		2		MLT 625-75 H ST3B
38	167925	Connection		1		MLT 625-75 H ST3B
39	254177	Nut		2		MLT 625-75 H ST3B
40	307494	Fastening plate		1		MLT 625-75 H ST3B
41	161625	Screw		2		MLT 625-75 H ST3B

10 DA 309

DISTRIBUTEUR  
KOMMANDOSTEUERVENTIL  
DISTRIBUIDOR  
VALVE BANK  
DISTRIBUTORE

MLT-X 840 137 ST3A  
MLT-X 1040 L 137 ST3A



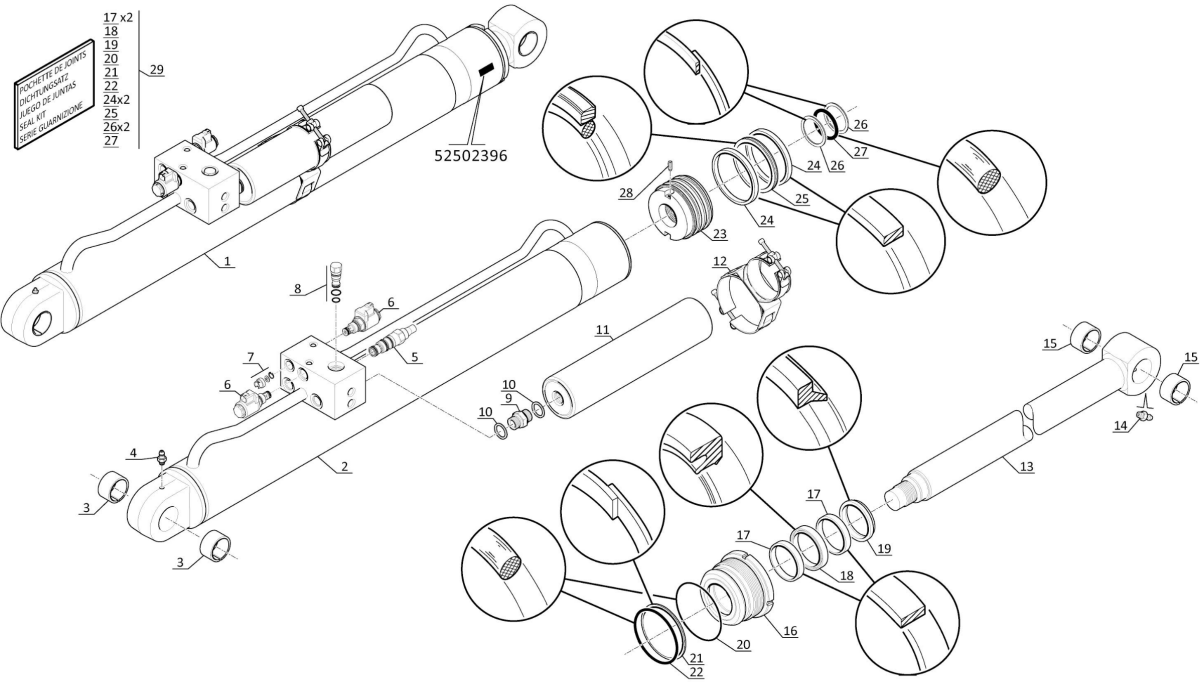
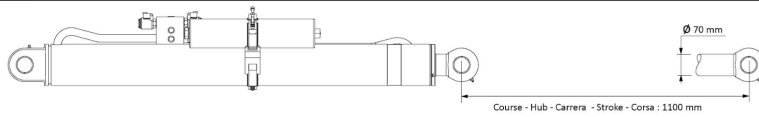
8  
POCHETTE DE JOINTS  
DICHTUNGS  
JUNO DE JUN  
TAS  
SEAL KIT  
SERIE GUARNICIONE

08 / 11 / 06  
P.A.O. illus

10 CA 445

HYDRAULIQUE (Vérin de levage)  
 HYDRAULIK (Aufwinden zylinder)  
 HIDRAULICO (Cilindro de levantamiento)  
 HYDRAULIC (Lifting cylinder)  
 IDRAULICO (Cilindro di sollevamento)

MLT 625-75 H ST3B



Позиция	№ детали	Название	Characteristics	К-во	Superseded Part Number	Product Type
25	51534	Straight greaser		1		MLT 625-75 H ST3B
26	295229	Shim		1		MLT 625-75 H ST3B
26	295230	Shim		1		MLT 625-75 H ST3B
26	295231	Shim		1		MLT 625-75 H ST3B
27	274903	Pin		1		MLT 625-75 H ST3B
28	31020	Screw		1		MLT 625-75 H ST3B
29	73202	Washer		1		MLT 625-75 H ST3B
30	289990	Shim		1		MLT 625-75 H ST3B
30	295227	Shim		1		MLT 625-75 H ST3B
30	295228	Shim		1		MLT 625-75 H ST3B
31	213666	Spindle		1		MLT 625-75 H ST3B
32	32963	Pin		1		MLT 625-75 H ST3B
33	51534	Straight greaser		2		MLT 625-75 H ST3B
34	286904	Brush		2		MLT 625-75 H ST3B
35	286905	Brush bracket		2		MLT 625-75 H ST3B
36	79533	Screw		8		MLT 625-75 H ST3B
37	189858	Washer		8		MLT 625-75 H ST3B
38	228363	Screw		4		MLT 625-75 H ST3B

Позиция	№ детали	Название	Characteristics	К-во	Superseded Part Number	Product Type
1	195728	Clamp		2		MLT 625-75 H ST3B
2	319682	Hose		1		MLT 625-75 H ST3B
3	940875	Tube		1		MLT 625-75 H ST3B
4	195728	Clamp		1		MLT 625-75 H ST3B
5	76961	Clamp		1		MLT 625-75 H ST3B
6	319706	Clamp bracket		1		MLT 625-75 H ST3B
7	259601	Screw	H EMB M 8-20	1		MLT 625-75 H ST3B
8	259946	Screw		2		MLT 625-75 H ST3B
9	52500028	Hose		1		MLT 625-75 H ST3B
10	229587	Clamp		1		MLT 625-75 H ST3B
11	224711	Air filter		1		MLT 625-75 H ST3B
12	563415	Security air filter cartridge		1		MLT 625-75 H ST3B
13	563416	Air filter cartridge		1		MLT 625-75 H ST3B
14	224712	Clamp		1		MLT 625-75 H ST3B
15	563487	Cover		1		MLT 625-75 H ST3B
16	563489	Rod		2		MLT 625-75 H ST3B
17	563488	Locker		2		MLT 625-75 H ST3B
18	563417	Valve		1		MLT 625-75 H ST3B
19	264380	Screw		2		MLT 625-75 H ST3B
20	42325	Washer	W 8 ZN	2		MLT 625-75 H ST3B
21	3212	Nut		2		MLT 625-75 H ST3B
22	229587	Clamp		2		MLT 625-75 H ST3B
23	52500087	Bellows		1		MLT 625-75 H ST3B
24	224713	Cyclonic pre-filter		1		MLT 625-75 H ST3B
25	224927	Tank		1		MLT 625-75 H ST3B
26	940874	Air pressure sensor		1		MLT 625-75 H ST3B
27	940876	Screw		2		MLT 625-75 H ST3B
28	204170	Clamp		1		MLT 625-75 H ST3B

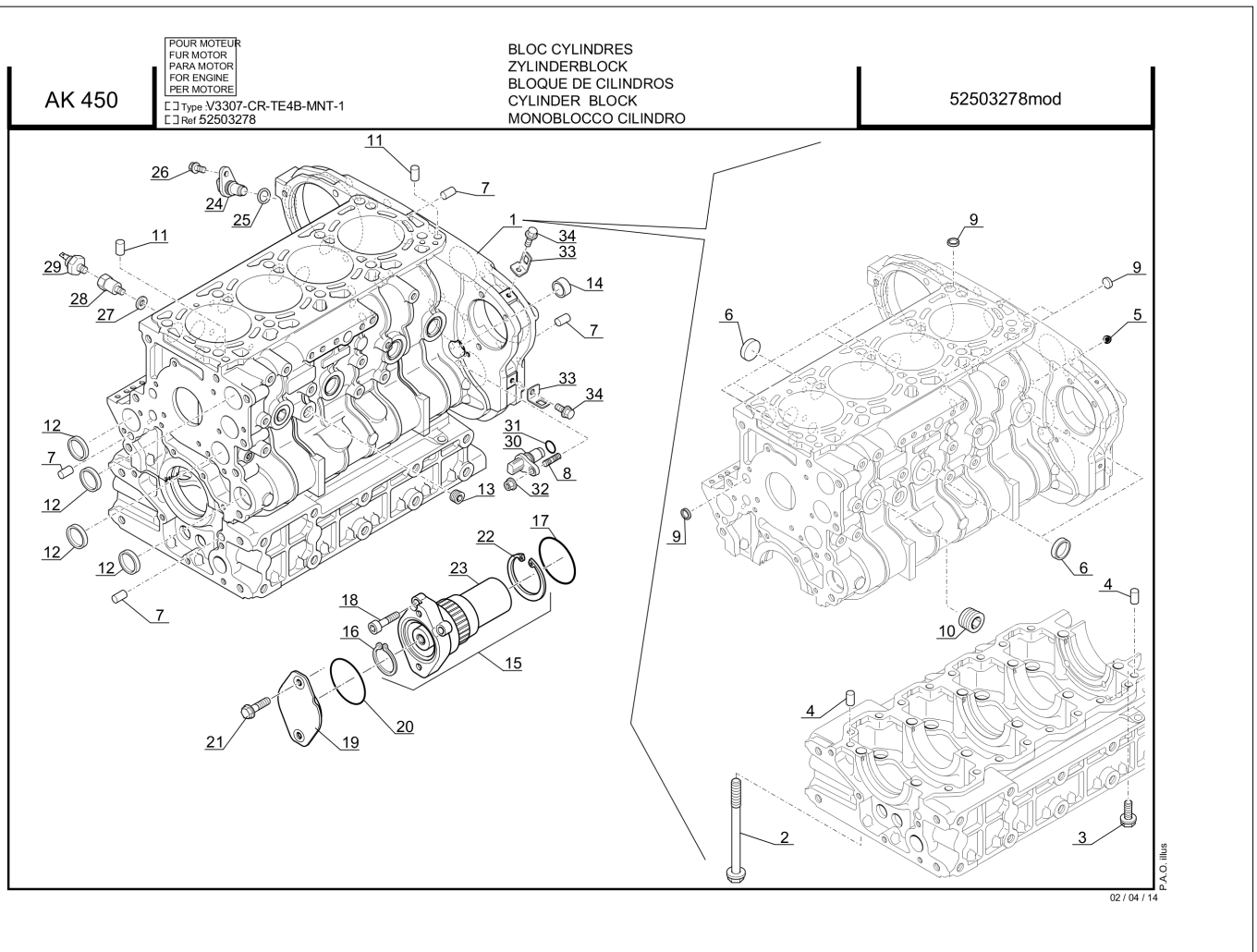
CLICK HERE TO **DOWNLOAD** THE COMPLETE MANUAL

- Thank you very much for reading the preview of the manual.
- You can download the complete manual from: [www.heydownloads.com](http://www.heydownloads.com) by clicking the link below



- Please note: If there is no response to CLICKING the link, please download this PDF first and then click on it.

CLICK HERE TO **DOWNLOAD** THE COMPLETE MANUAL

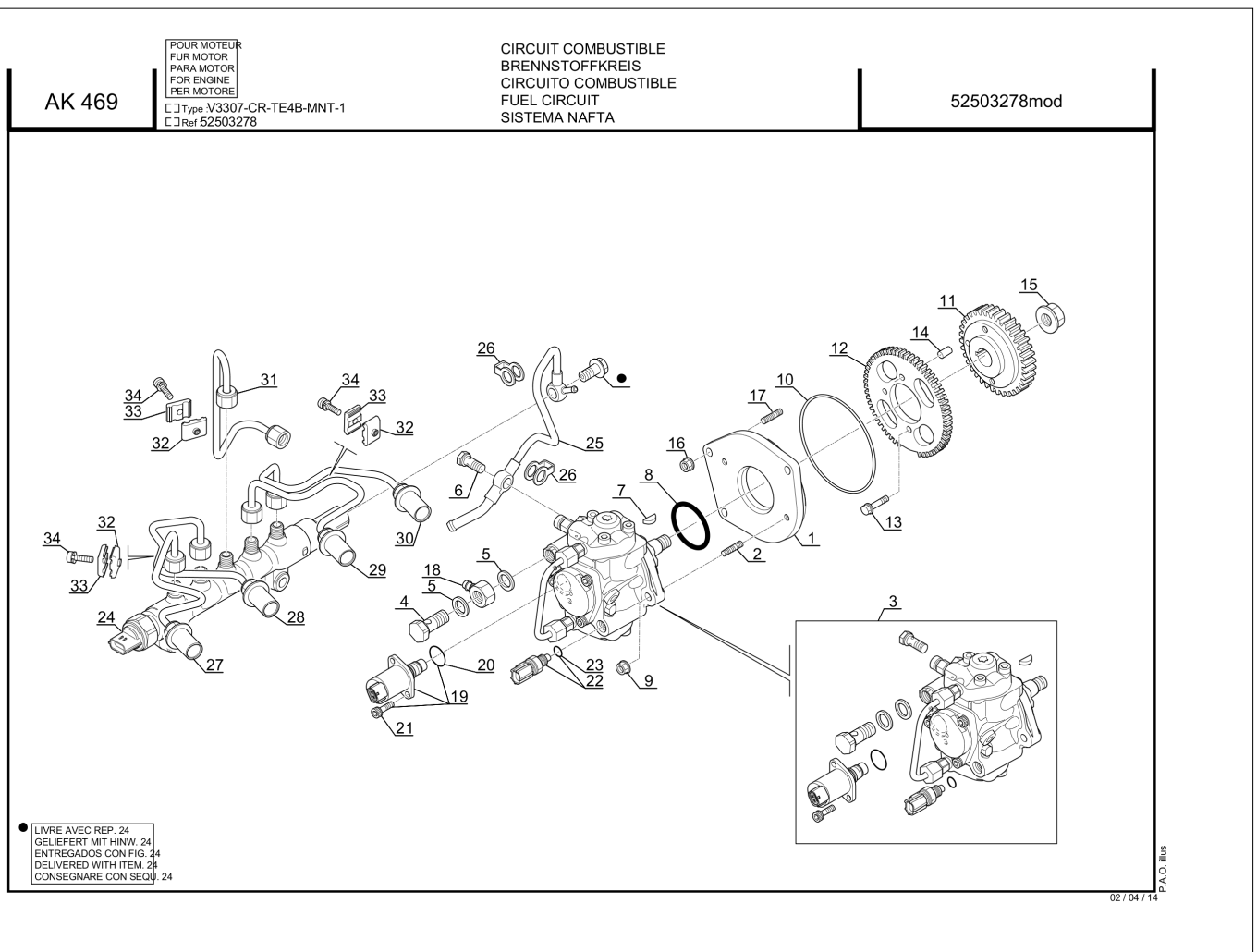


Позиция	№ детали	Название	Characteristics	К-во	SupersededPart Number	Product Type
39	940772	Bracket		1		52503278MO
40	940773	Screw		2		52503278MO
41	940775	Clamp		1		52503278MO

Позиция	№ детали	Название	Characteristics	К-во	Superseded Part Number	Product Type
1	563416	Air filter cartridge		1		MLT 625-75 H ST3B
2	563415	Security air filter cartridge		1		MLT 625-75 H ST3B
3	750306	Heating filter		1		MLT 625-75 H ST3B
4	686236	Hydraulic oil filter cartridge		1		MLT 625-75 H ST3B
5	279809	Oil filter engine		1		MLT 625-75 H ST3B
6	940724	Fuel filter		1		MLT 625-75 H ST3B
7	832750	Filling plug		1	794879	MLT 625-75 H ST3B
8	224713	Cyclonic pre-filter		1		MLT 625-75 H ST3B
9	746308	Filter (hydraulic accumulator)		1		MLT 625-75 H ST3B
10	289330	Ventilation adjustment belt		1		MLT 625-75 H ST3B
11	940729	Fuel pre-filter		1		MLT 625-75 H ST3B
12	749589	Strainer		1		MLT 625-75 H ST3B
13	292198	Alternator belt		1		MLT 625-75 H ST3B
14	940867	Complete hydraulic oil filter		1		MLT 625-75 H ST3B

Позиция	№ детали	Название	Characteristics	К-во	Superseded Part Number	Product Type
0	52502481	COMPLETE ENGINE		1	52503278	52503278MO
1	940800	Valve		1		52503278MO
2	749489	Valve		1		52503278MO
3	706786	Screw		2		52503278MO
4	940801	Gasket		1		52503278MO
5	749512	Screw		4		52503278MO
6	940815	Bracket		1		52503278MO
7	940816	Gasket		2		52503278MO
8	940817	Air Cooler		1		52503278MO
9	823846	Screw		2		52503278MO
10	823591	Screw		2		52503278MO
11	940818	Gasket		1		52503278MO
12	749456	Screw		2		52503278MO
13	940655	Clamp		1		52503278MO
14	940656	Screw		1		52503278MO
15	940819	Hose		1		52503278MO
16	823677	Clamp		1		52503278MO
17	748016	Clamp		1		52503278MO
18	940820	Hose		1		52503278MO
19	748016	Clamp		2		52503278MO
20	940821	Hose		1		52503278MO
21	748016	Clamp		2		52503278MO
22	823736	Connection		1		52503278MO

\_FUEL SUPPLY SYSTEM



Позиция	№ детали	Название	Characteristics	К-во	Superseded Part Number	Product Type
35	236147	Brake fluid tank		1		MLT 625-75 H ST3B
36	895314	Plug		1		MLT 625-75 H ST3B
37	798371	Seal		1		MLT 625-75 H ST3B
38	198244	screw		2	78310	MLT 625-75 H ST3B
39	288884	Bracket		1		MLT 625-75 H ST3B
40	286323	Screw	H EMB M 8-30-8.8-ZN8/C	2		MLT 625-75 H ST3B
41	213394	Cable grommet		1		MLT 625-75 H ST3B
42	233837	Copper seal		1		MLT 625-75 H ST3B
43	234530	Hose		1		MLT 625-75 H ST3B
44	81044	Copper seal		1		MLT 625-75 H ST3B
45	52502502	Hollow screw		1		MLT 625-75 H ST3B
46	286732	Tube		1		MLT 625-75 H ST3B
47	173004	Half-clamp		2		MLT 625-75 H ST3B
48	168847	Protection plate		1		MLT 625-75 H ST3B
49	54305	Screw	H, M 6- 30-8.8-ZN5/C	2		MLT 625-75 H ST3B
50	497922	Connection		1		MLT 625-75 H ST3B
51	190013	"O" ring		1		MLT 625-75 H ST3B
52	175498	Connection		1		MLT 625-75 H ST3B
53	177588	"O" ring		1		MLT 625-75 H ST3B
54	194616	Connection		1		MLT 625-75 H ST3B
55	269498	Hose		1		MLT 625-75 H ST3B
56	217041	Connection		1		MLT 625-75 H ST3B
57	194616	Connection		1		MLT 625-75 H ST3B
58	190013	"O" ring		1		MLT 625-75 H ST3B

Позиция	№ детали	Название	Characteristics	К-во	SupersededPart Number	Product Type
43	750146	Washer		2		52502439MO

Позиция	№ детали	Название	Characteristics	К-во	Superse dedPart Number	Product Type
0	52542209	COMPLETE CAB		1	308295, 52502438	52502438MO
1	287572	Net		1		52502438MO
2	750172	Rivet		4		52502438MO
6	794959	Nut		4		52502438MO
7	941086	Socket		4		52502438MO
8	796691	Plug		4		52502438MO
16	794977	Cable grommet		4		52502438MO
17	282656	Cable grommet		8		52502438MO
18	750164	Stop		1		52502438MO
19	750176	Washer		1		52502438MO
20	162229	Nut		1		52502438MO
21	55404	Cap		1		52502438MO
22	750168	Nut		14		52502438MO
23	282605	Air nozzle		1		52502438MO
24	750161	Bracket		1		52502438MO
25	750159	Sheath		1		52502438MO
26	750158	Clamp		1		52502438MO
27	750160	Bracket		1		52502438MO
28	282552	Insulator		1		52502438MO
29	226311	Washer		2		52502438MO
30	25713	Screw	H,M 6- 16-8.8- ZN5/C	2		52502438MO
31	226311	Washer		2		52502438MO
32	25713	Screw	H,M 6- 16-8.8- ZN5/C	2		52502438MO
33	282667	Cable grommet		2		52502438MO
34	940602	Frame work		1		52502438MO
35	282657	Cable grommet		3		52502438MO
36	281631	Wiring harness		1		52502438MO
38	291114	Coupling		2		52502438MO
39	282662	Screw		4		52502438MO
40	750136	Washer		8		52502438MO
41	958410	Washer		4	564700, 282670	52502438MO
42	750176	Washer		4		52502438MO
43	282665	Spacer		4		52502438MO
44	282655	Nut		4		52502438MO
45	55404	Cap		6		52502438MO
46	285970	Housing		1		52502438MO
47	55404	Cap		2		52502438MO
48	25713	Screw	H,M 6- 16-8.8- ZN5/C	2		52502438MO

Позиция	№ детали	Название	Characteristics	К-во	Superseded Part Number	Product Type
0	52517980	Cab		1	318766	52517980MO
1	795382	Connection		5		52517980MO
3	551558	Cap		5		52517980MO
6	746490	Bulb		2		52517980MO
7	746491	Roof lamp		1		52517980MO
8	746696	Roof fittings		1	747112	52517980MO
9	702950	Nut		8		52517980MO
10	741531	Screw		8		52517980MO
11	746492	Loud speaker grill		2		52517980MO
12	265725	Switch bracket (5)		1		52517980MO
13	224775	Plug		3		52517980MO
15	747882	Revolving light switch		1		52517980MO
16	746703	Rivet		4		52517980MO
17	750267	Fastening lug		2		52517980MO
18	747883	Foam		1		52517980MO
19	604533	Protection plate		1		52517980MO
20	747884	Foam		1		52517980MO
21	552568	Net		1		52517980MO
22	54568	Rivet		4		52517980MO
23	746500	Bracket		1		52517980MO
24	54568	Rivet		2		52517980MO
25	747067	Cable grommet		1	749756	52517980MO
29	170836	Bulb (white)		1		52517980MO
30	184036	Screw		3		52517980MO
31	747764	Lens		1		52517980MO
32	564594	Washer		3		52517980MO
33	947799	PACKING BOX		5	941761	52517980MO
34	795384	Nut		5		52517980MO

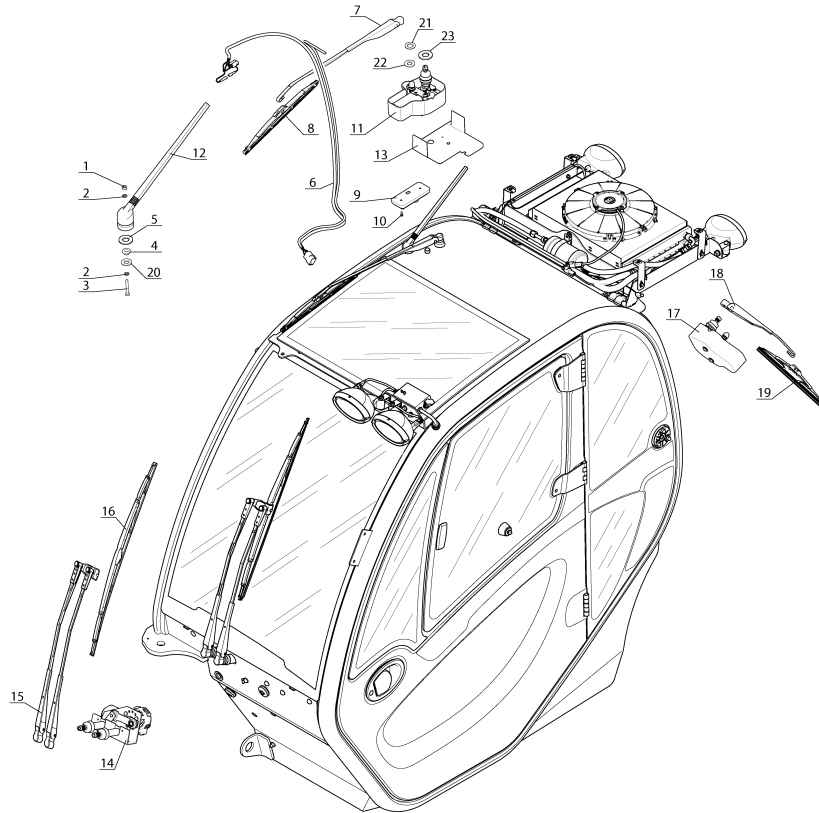
Позиция	№ детали	Название	Characteristics	К-во	Superseded Part Number	Product Type
1	268875	Connection		1		MLT 625-75 H ST3B
2	203240	Connection		1		MLT 625-75 H ST3B
3	189956	"0" ring		1		MLT 625-75 H ST3B
4	203512	Clamp		3		MLT 625-75 H ST3B
5	213860	Sheath		1		MLT 625-75 H ST3B
6	203512	Clamp		2		MLT 625-75 H ST3B
7	52513707	Button		1		MLT 625-75 H ST3B
8	941517	Button, stripped		1		MLT 625-75 H ST3B
9	52513708	Button		1		MLT 625-75 H ST3B
10	941518	Button, stripped		1		MLT 625-75 H ST3B
11	941519	Nut		1		MLT 625-75 H ST3B
12	292197	Hose		1		MLT 625-75 H ST3B

8 AB 1751

FOUR TYPE DE CABINE  
FÜR KABINE TYPEN  
PARA TIPO DE CABINA  
FOR CAB TYPE  
PER TIPO DI CABINA  
52502439

CABINE (Détails)  
KABINE (Einzelteile)  
CABINA (Detalles)  
CAB (Details)  
CABINA (Dettaglio)

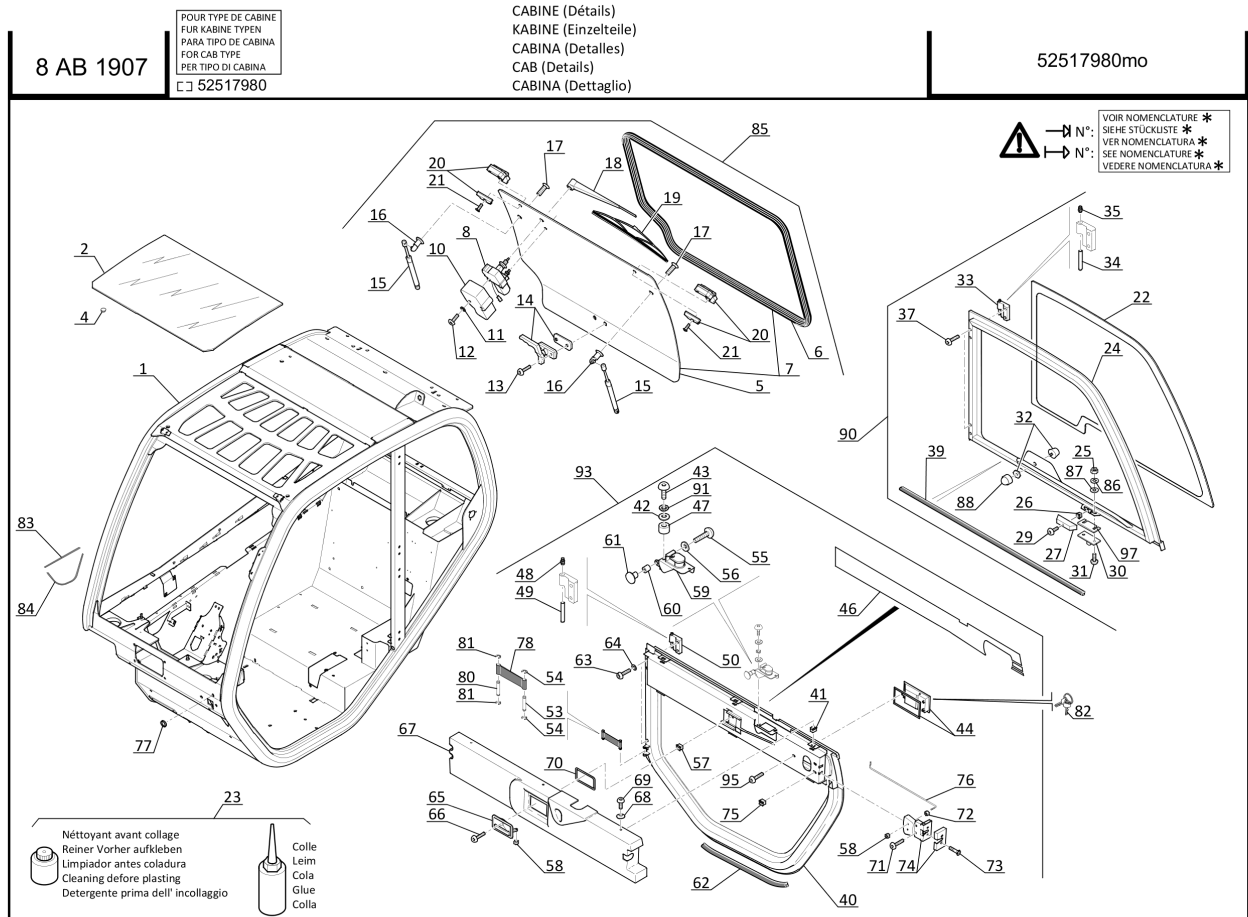
52502439mo



03 / 09 / 14  
P.A.O. ILLUS

Позиция	№ детали	Название	Characteristics	К-во	Superseded Part Number	Product Type
0	52542208	COMPLETE CAB		1	308294, 52502437	52502439MO
0	789008	Air-conditioning kit		1		52502439MO
1	750154	Door locking		1		52502439MO
2	55404	Cap		6		52502439MO
3	162229	Nut		3		52502439MO
4	794954	Washer		6		52502439MO
5	796692	Screw		3		52502439MO
6	284544	Adhesive		1		52502439MO
7	284545	Adhesive		1		52502439MO
8	748124	Side glass		1		52502439MO
9	750152	Glue		1		52502439MO
10	748120	Windscreen		1		52502439MO
17	748123	Side glass		1		52502439MO
18	281589	Bracket		1		52502439MO
19	750192	Plug		3		52502439MO
20	748122	Glass		1		52502439MO
21	166702	Cap		4		52502439MO
22	58528	Nut	H M8 ZN	4		52502439MO
23	36024	Washer		4		52502439MO
24	42675	Screw		4	58548FP2 2071, 488553, 563843, 601161, 750406	52502439MO
25	42412	Screw	FHC,M 8- 20- 10.9-ZN8/C	2		52502439MO
26	750190	Spacer		2		52502439MO
27	282682	Hinge		2		52502439MO
28	282685	Handle		1	196953	52502439MO
29	750182	Screw		2		52502439MO
30	748121	Rear window glass		1		52502439MO
31	750188	Seal		1		52502439MO
32	282691	Cable grommet		1		52502439MO
33	282692	Cable grommet		1		52502439MO
34	42412	Screw	FHC,M 8- 20- 10.9-ZN8/C	1		52502439MO
35	549702	Knee-joint		1	550023, 749849, 282684	52502439MO
36	282686	Cylinder		1		52502439MO
37	282687	Knee-joint		1		52502439MO
38	42325	Washer	W 8 ZN	1		52502439MO
39	794978	Pin		1		52502439MO

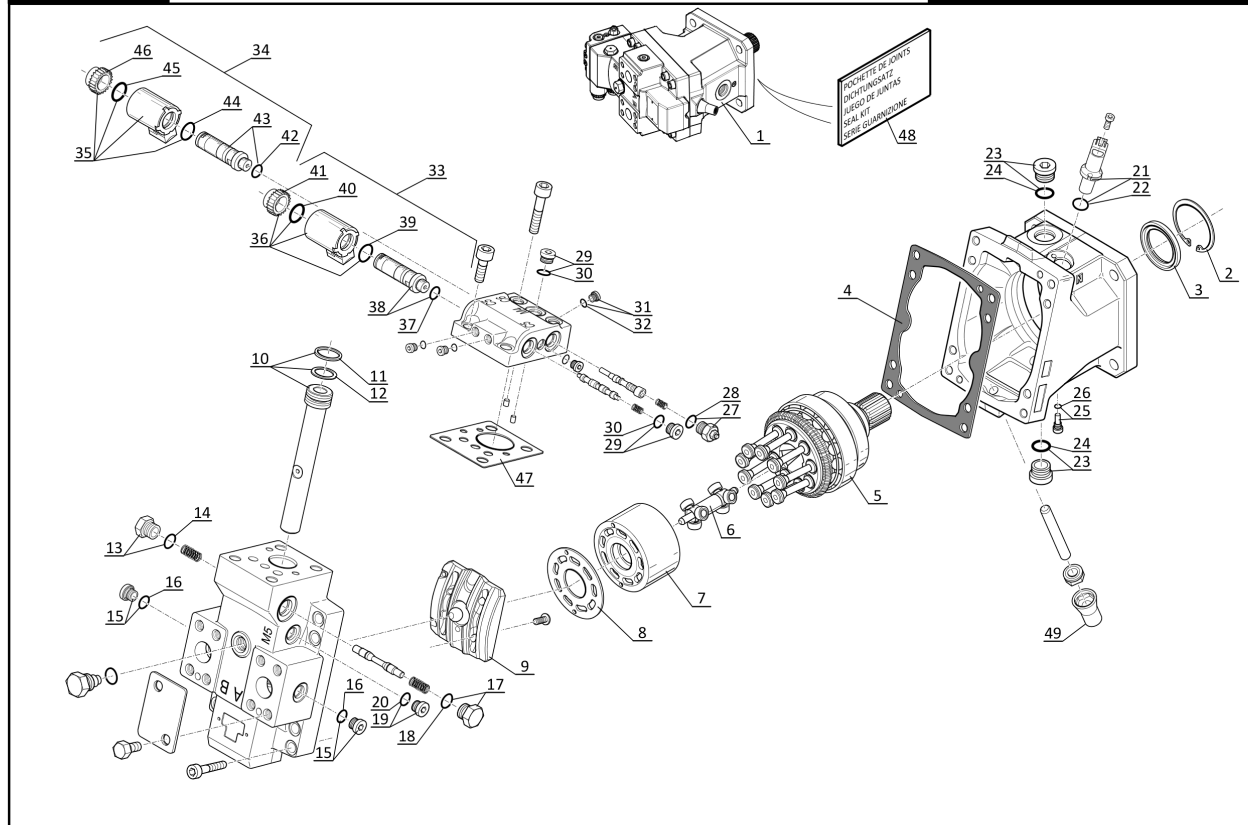
\_DOOR - GLASS



BD 23

MOTEUR A CYLINDRÉE VARIABLE  
VERSTELLMOTOR  
MOTOR DE CILINDRADA VARIABLE  
VARIABLE DISPLACEMENT MOTOR  
MOTORE CILINDRATA VARIABILE

52500588mo

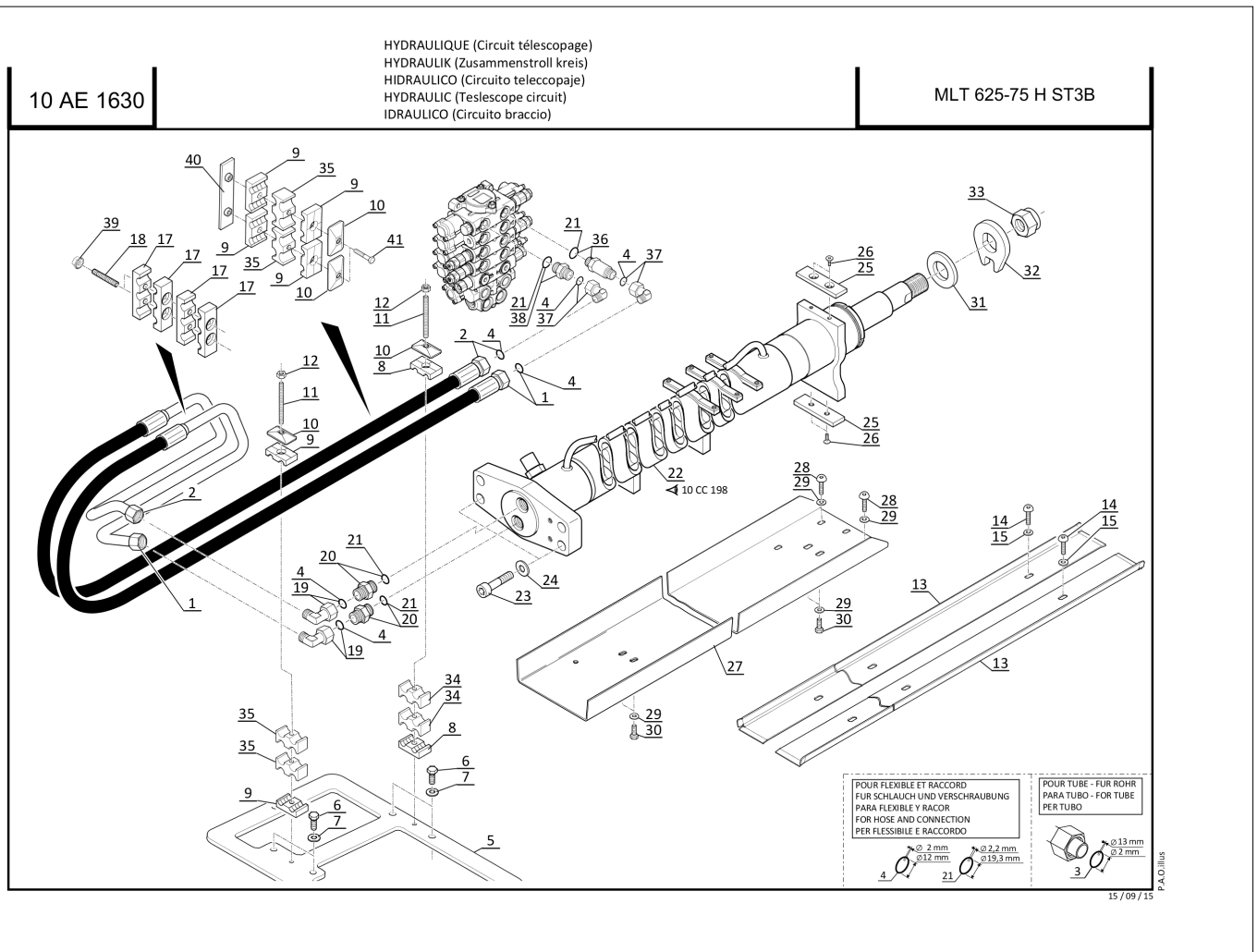


52500588mo

13/07/2015

Позиция	№ детали	Название	Characteristics	К-во	SupersededPart Number	Product Type
0	52505432	Tool kit (Wheel torque)		1		MT625-75 H ST3B, MT 625 H COMFORT ST3B, MT 625 H Turbo ST3B
1	293109	Lever		1		MT625-75 H ST3B, MT 625 H COMFORT ST3B, MT 625 H Turbo ST3B
2	173355	Clip		3		MT625-75 H ST3B, MT 625 H COMFORT ST3B, MT 625 H Turbo ST3B
3	226606	Screw		3		MT625-75 H ST3B, MT 625 H COMFORT ST3B, MT 625 H Turbo ST3B
4	25758	Nut		3		MT625-75 H ST3B, MT 625 H COMFORT ST3B, MT 625 H Turbo ST3B
5	247574	Screw		1		MT625-75 H ST3B, MT 625 H COMFORT ST3B, MT 625 H Turbo ST3B
6	58548	Nut	H ,M12 C 8 ZN..C	1		MT625-75 H ST3B, MT 625 H COMFORT ST3B, MT 625 H Turbo ST3B
7	76587	Socket		1		MT625-75 H ST3B, MT 625 H COMFORT ST3B, MT 625 H Turbo ST3B
8	61678	Washer		1		MT625-75 H ST3B, MT 625 H COMFORT ST3B, MT 625 H Turbo ST3B
9	178223	Arm nut		1		MT625-75 H ST3B, MT 625 H COMFORT ST3B, MT 625 H Turbo ST3B

Позиция	№ детали	Название	Characteristics	К-во	Superse- dedPart Number	Product Type
0	52103189	movements hydraulic combined		1		MLT_625-75_H_ST3B
1	276664	Tank		1		MLT_625-75_H_ST3B
2	168348	Screw		2	485529	MLT_625-75_H_ST3B
3	44025	Washer		2		MLT_625-75_H_ST3B
4	58533	Screw	H,M 8- 60-8.8- ZN8/C	1		MLT_625-75_H_ST3B
5	29468	Washer		1		MLT_625-75_H_ST3B
6	206056	Washer		1		MLT_625-75_H_ST3B
7	63351	Washer	JZC 8 CAD.BICH	1		MLT_625-75_H_ST3B
8	58528	Nut	H M8 ZN	1		MLT_625-75_H_ST3B
9	297932	Clamp		2		MLT_625-75_H_ST3B
10	278505	Hose		1		MLT_625-75_H_ST3B
11	52507374	Tank		1		MLT_625-75_H_ST3B
12	5804	Screw	H,M10- 25-8.8- ZN8/C	4		MLT_625-75_H_ST3B
13	183026	Washer		4		MLT_625-75_H_ST3B
14	292168	Clamp		1		MLT_625-75_H_ST3B
15	278389	Hose		1		MLT_625-75_H_ST3B
16	295139	Clamp		1		MLT_625-75_H_ST3B
17	292332	Flange		1		MLT_625-75_H_ST3B
18	109712	"0" ring		1	96710030 3871, A0030037 75, 136345, 96711030 3871, 554156, A4164669 A, 601095, 548645, 550627, A0030037 70, A0030037 70, 170583, 499602	MLT_625-75_H_ST3B
19	51510	Screw		4		MLT_625-75_H_ST3B
20	42232	Washer		4		MLT_625-75_H_ST3B
21	52524783	Pump		1	289382	MLT_625-75_H_ST3B
22	795293	Seal kit		1		MLT_625-75_H_ST3B
23	282603	Screw		2		MLT_625-75_H_ST3B
25	85822	"0" ring		1		MLT_625-75_H_ST3B
26	52500894	Tube		1	296222	MLT_625-75_H_ST3B
27	292410	Upper flange		2		MLT_625-75_H_ST3B
28	63544	Screw		4		MLT_625-75_H_ST3B
29	42232	Washer		4		MLT_625-75_H_ST3B
30	261679	Pressure test		1		MLT_625-75_H_ST3B
31	203708	Hose		1		MLT_625-75_H_ST3B



Позиция	№ детали	Название	Characteristics	К-во	Superseded Part Number	Product Type
0	52103189	movements hydraulic combined		1		MLT_625-75_H_ST3B
1	52519383	Telescope cylinder		1	52500828	MLT_625-75_H_ST3B
2	748986	Seal kit		1		MLT_625-75_H_ST3B
3	746350	Screw		1		MLT_625-75_H_ST3B
4	746347	Socket		1		MLT_625-75_H_ST3B
5	746349	Socket		1		MLT_625-75_H_ST3B
6	746348	Snap ring		1		MLT_625-75_H_ST3B
7	746351	Seal		2		MLT_625-75_H_ST3B
8	746352	Seal		1		MLT_625-75_H_ST3B
9	746344	Cylinder piston		1		MLT_625-75_H_ST3B
10	748982	Anti-extrusion seal		2		MLT_625-75_H_ST3B
11	746353	"O" ring		1	798589	MLT_625-75_H_ST3B
12	748980	Spacer		1		MLT_625-75_H_ST3B
13	57485	"O" ring		1	600468, 602356	MLT_625-75_H_ST3B
14	706853	"O" ring		1	798591	MLT_625-75_H_ST3B
15	746566	Anti-extrusion seal		1		MLT_625-75_H_ST3B
16	706854	"O" ring		1		MLT_625-75_H_ST3B
17	748981	Fastening ring		1		MLT_625-75_H_ST3B
18	748983	Seal		2		MLT_625-75_H_ST3B
19	941700	Seal washer		1		MLT_625-75_H_ST3B
20	748985	Seal		1		MLT_625-75_H_ST3B
21	794901	Balancing valve		1		MLT_625-75_H_ST3B

CLICK HERE TO **DOWNLOAD** THE COMPLETE MANUAL

- Thank you very much for reading the preview of the manual.
- You can download the complete manual from: [www.heydownloads.com](http://www.heydownloads.com) by clicking the link below



- Please note: If there is no response to CLICKING the link, please download this PDF first and then click on it.

CLICK HERE TO **DOWNLOAD** THE COMPLETE MANUAL