




# **MANITOU**

## **HANDLING YOUR WORLD**

**GENUINE PARTS CATALOGUE  
CATALOGUE PIÈCES D'ORIGINE  
ORIGINAL ERSATZTEILKATALOG  
CATALOGO DE PIEZAS LEGITIMAS  
CATALOGO RICAMBI ORIGINALI**

This document has been printed from  **mye doc**

### **MANITOU BF**

Head office: 430, Rue de l'Aubinière  
44150 Ancenis - FRANCE  
Share capital: 39,548,949 euros  
857 802 508 RCS Nantes  
Tel: +33 (0)2 40 09 10 11  
[www.manitou.com](http://www.manitou.com)

CLICK HERE TO **DOWNLOAD** THE COMPLETE MANUAL

- Thank you very much for reading the preview of the manual.
- You can download the complete manual from: [www.heydownloads.com](http://www.heydownloads.com) by clicking the link below



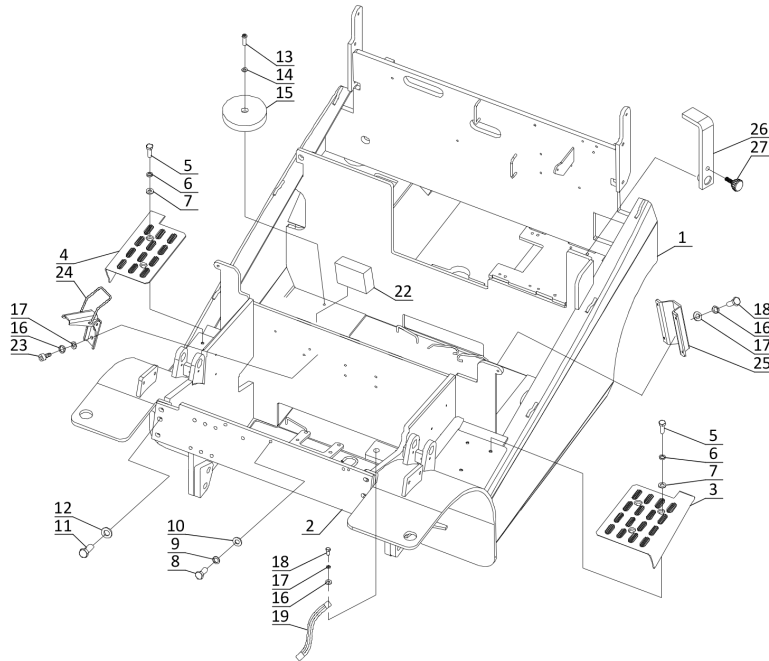
- Please note: If there is no response to CLICKING the link, please download this PDF first and then click on it.

CLICK HERE TO **DOWNLOAD** THE COMPLETE MANUAL

9 AA 867

CARROSSERIE  
KAROSSERIE  
CARROCERIA  
BODY  
CARROZZERIA

ME 418 48V S3 / US  
ME 420 48V S3 / US  
ME 425 C 48V S3 / US



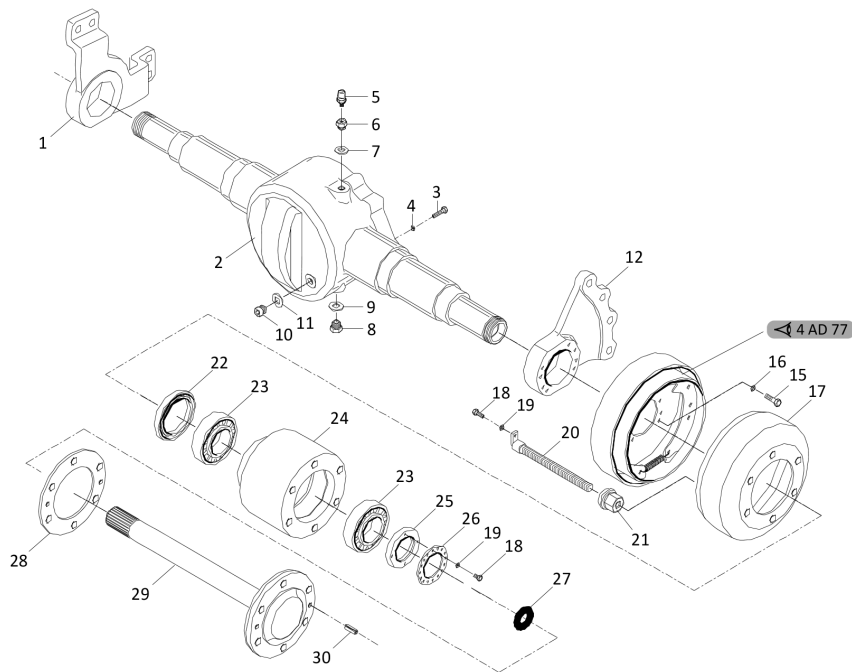
04/07/2017  
647503

Objekt	Teilnr.	Name	Characteristics	Anzahl	ersetzt die Referenz	Geräte Typ
1	952747	Kabelbaum (Hauptkabelbaum)		1		ME 418 48V S3 US, ME 418 48V S3
1	952748	Kabelbaum (Hauptkabelbaum)		1		ME 425 C 48V S3, ME 420 48V S3, ME 425 C 48V S3 US, ME 420 48V S3 US
2	952749	Kabel		1		ME 418 48V S3 US, ME 418 48V S3
2	952687	Kabel		1		ME 425 C 48V S3, ME 420 48V S3, ME 425 C 48V S3 US, ME 420 48V S3 US
3	952751	Batteriestecker		1		ME 418 48V S3
3	952752	Batteriestecker		1		ME 425 C 48V S3, ME 420 48V S3
3	957058	Batteriestecker		1		ME 418 48V S3 US
3	957059	Batteriestecker		1		ME 425 C 48V S3 US, ME 420 48V S3 US
4	897487	Batteriekabel		1		ME 418 48V S3 US, ME 418 48V S3
4	897488	Batteriekabel		1		ME 425 C 48V S3, ME 420 48V S3, ME 425 C 48V S3 US, ME 420 48V S3 US
5	952753	Kabel		1		ME 418 48V S3 US, ME 418 48V S3
5	952754	Kabel		1		ME 425 C 48V S3, ME 420 48V S3, ME 425 C 48V S3 US, ME 420 48V S3 US
6	952755	Wandler		1		ME 425 C 48V S3, ME 420 48V S3, ME 418 48V S3 US, ME 425 C 48V S3 US, ME 420 48V S3 US, ME 418 48V S3
7	952756	Kabelbaum		1		ME 425 C 48V S3, ME 420 48V S3, ME 418 48V S3 US, ME 425 C 48V S3 US, ME 420 48V S3 US, ME 418 48V S3
8	952757	Kabelbaum		1		ME 425 C 48V S3, ME 420 48V S3, ME 418 48V S3 US, ME 425 C 48V S3 US, ME 420 48V S3 US, ME 418 48V S3
9	952759	Kabelbaum		1		ME 425 C 48V S3, ME 420 48V S3, ME 418 48V S3 US, ME 425 C 48V S3 US, ME 420 48V S3 US, ME 418 48V S3
10	957033	Kabelbaum (Hauptkabelbaum)		1		ME 418 48V S3 US, ME 418 48V S3
10	957034	Kabelbaum (Hauptkabelbaum)		1		ME 425 C 48V S3, ME 420 48V S3, ME 425 C 48V S3 US, ME 420 48V S3 US
11	955318	Arbeitsscheinwerfer hinten		1		ME 425 C 48V S3, ME 420 48V S3, ME 418 48V S3 US, ME 425 C 48V S3 US, ME 420 48V S3 US, ME 418 48V S3
12	957032	Kabelbaum		1		ME 425 C 48V S3, ME 420 48V S3, ME 418 48V S3 US, ME 425 C 48V S3 US, ME 420 48V S3 US, ME 418 48V S3
13	952758	Schalter		1		ME 425 C 48V S3, ME 420 48V S3, ME 418 48V S3 US, ME 425 C 48V S3 US, ME 420 48V S3 US, ME 418 48V S3
14	957424	Kabelbaum (Hauptkabelbaum)		1		ME 418 48V S3 US, ME 418 48V S3
15	957425	Kabelbaum (Hauptkabelbaum)		1		ME 425 C 48V S3, ME 420 48V S3, ME 425 C 48V S3 US, ME 420 48V S3 US

4 AD 75

ADAPTATION TRANSMISSION AVANT  
VORNGETRIEBE ANPASSUNG  
ADAPTACION TRANSMISION DELANTERA  
FRONT TRANSMISSION ADAPTATION  
ADATTAMENTO TRASMISSIONE ANTERIORE

ME 420 48V S3 / US  
ME 425 C 48V S3 / US

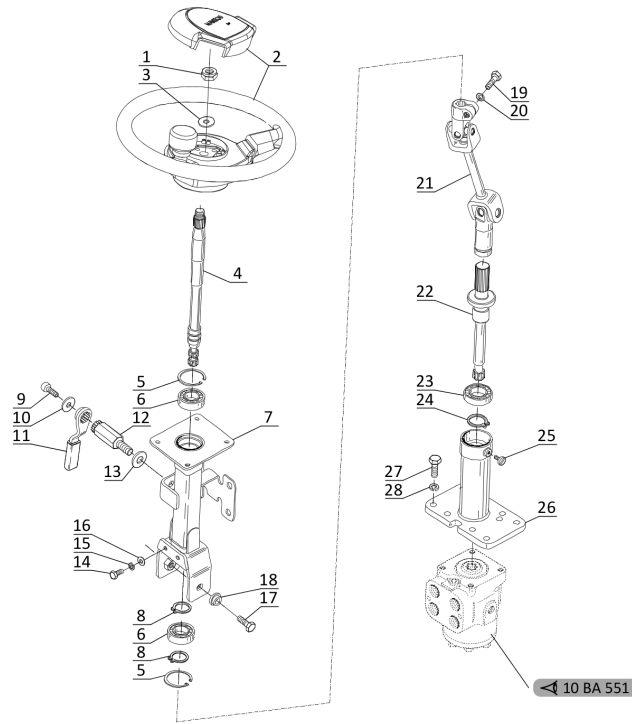


04/07/2017  
647503

8 AA 1319

ADAPTATION CABINE  
KABINE ANPASSUNG  
ADAPTACION CABINA  
CAB ADAPTATION  
ADATTAMENTO CABINA

ME 418 48V S3 / US  
ME 420 48V S3 / US  
ME 425 C 48V S3 / US

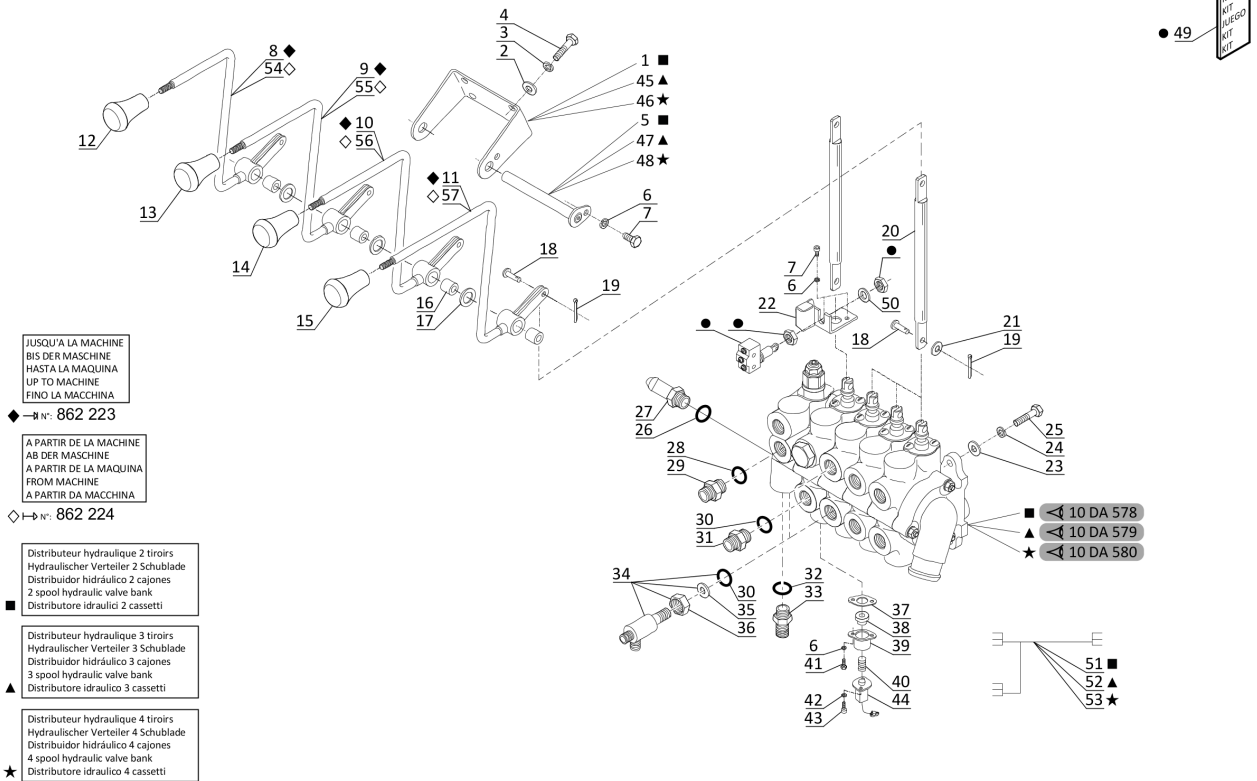


04/07/2017  
647503

10 DA 577

DISTRIBUTEUR  
KOMMANDOSTEUERVENTIL  
DISTRIBUIDOR  
VALVE BANK  
DISTRIBUTORE

ME 418 48V S3 / US  
ME 420 48V S3 / US  
ME 425 C 48V S3 / US



647503 04/07/2017

Objekt	Teilenr.	Name	Characteristics	Anzahl	ersetzt die Referenz	Geräte Typ
1	896765	4-teiliges Steuergerät		1		ME 425 C 48V S3, ME 420 48V S3, ME 418 48V S3 US, ME 425 C 48V S3 US, ME 420 48V S3 US, ME 418 48V S3
2	898534	Komplettes Eingangselement		1		ME 425 C 48V S3, ME 420 48V S3, ME 418 48V S3 US, ME 425 C 48V S3 US, ME 420 48V S3 US, ME 418 48V S3
3	898535	Hebeelement		1		ME 425 C 48V S3, ME 420 48V S3, ME 418 48V S3 US, ME 425 C 48V S3 US, ME 420 48V S3 US, ME 418 48V S3
4	898536	Neigungselement		1		ME 425 C 48V S3, ME 420 48V S3, ME 418 48V S3 US, ME 425 C 48V S3 US, ME 420 48V S3 US, ME 418 48V S3
5	898537	Anbaugeräte-Element		2		ME 425 C 48V S3, ME 420 48V S3, ME 418 48V S3 US, ME 425 C 48V S3 US, ME 420 48V S3 US, ME 418 48V S3
6	952650	Schraube	M10X1.25	3		ME 425 C 48V S3, ME 420 48V S3, ME 418 48V S3 US, ME 425 C 48V S3 US, ME 420 48V S3 US, ME 418 48V S3
7	954975	Federscheibe	D10	3		ME 425 C 48V S3, ME 420 48V S3, ME 418 48V S3 US, ME 425 C 48V S3 US, ME 420 48V S3 US, ME 418 48V S3
8	898489	Schraube		3		ME 425 C 48V S3, ME 420 48V S3, ME 418 48V S3 US, ME 425 C 48V S3 US, ME 420 48V S3 US, ME 418 48V S3
9	898490	Ausgangselement		1		ME 425 C 48V S3, ME 420 48V S3, ME 418 48V S3 US, ME 425 C 48V S3 US, ME 420 48V S3 US, ME 418 48V S3
10	896392	O-Ring		5		ME 425 C 48V S3, ME 420 48V S3, ME 418 48V S3 US, ME 425 C 48V S3 US, ME 420 48V S3 US, ME 418 48V S3
11	952740	Feder		4		ME 425 C 48V S3, ME 420 48V S3, ME 418 48V S3 US, ME 425 C 48V S3 US, ME 420 48V S3 US, ME 418 48V S3
12	952741	Führung		4		ME 425 C 48V S3, ME 420 48V S3, ME 418 48V S3 US, ME 425 C 48V S3 US, ME 420 48V S3 US, ME 418 48V S3
13	898491	Ventil		1		ME 425 C 48V S3, ME 420 48V S3, ME 418 48V S3 US, ME 425 C 48V S3 US, ME 420 48V S3 US, ME 418 48V S3
14	952742	Stopfen		1		ME 425 C 48V S3, ME 420 48V S3, ME 418 48V S3 US, ME 425 C 48V S3 US, ME 420 48V S3 US, ME 418 48V S3
15	952998	Dichtung		2		ME 425 C 48V S3, ME 420 48V S3, ME 418 48V S3 US, ME 425 C 48V S3 US, ME 420 48V S3 US, ME 418 48V S3
16	952743	Dämpfer		1		ME 425 C 48V S3, ME 420 48V S3, ME 418 48V S3 US, ME 425 C 48V S3 US, ME 420 48V S3 US, ME 418 48V S3
17	954982	Scheibe		1		ME 425 C 48V S3, ME 420 48V S3, ME 418 48V S3 US, ME 425 C 48V S3 US, ME 420 48V S3 US, ME 418 48V S3
18	898492	Prioritätsventil		1		ME 425 C 48V S3, ME 420 48V S3, ME 418 48V S3 US, ME 425 C 48V S3 US, ME 420 48V S3 US, ME 418 48V S3
19	952744	Dämpfer		1		ME 425 C 48V S3, ME 420 48V S3, ME 418 48V S3 US, ME 425 C 48V S3 US, ME 420 48V S3 US, ME 418 48V S3
20	952745	Feder		1		ME 425 C 48V S3, ME 420 48V S3, ME 418 48V S3 US, ME 425 C 48V S3 US, ME 420 48V S3 US, ME 418 48V S3
21	952746	Stopfen		1		ME 425 C 48V S3, ME 420 48V S3, ME 418 48V S3 US, ME 425 C 48V S3 US, ME 420 48V S3 US, ME 418 48V S3
22	898495	Dichtungssatz, Steuergerät		1		ME 425 C 48V S3, ME 420 48V S3, ME 418 48V S3 US, ME 425 C 48V S3 US, ME 420 48V S3 US, ME 418 48V S3

Objekt	Teilenr.	Name	Characteristics	Anzahl	ersetzt die Referenz	Geräte Typ
1	952666	Handbremse		1		ME 425 C 48V S3, ME 420 48V S3, ME 418 48V S3 US, ME 425 C 48V S3 US, ME 420 48V S3 US, ME 418 48V S3
2	827936	Schraube	M10x45	2		ME 425 C 48V S3, ME 420 48V S3, ME 418 48V S3 US, ME 425 C 48V S3 US, ME 420 48V S3 US, ME 418 48V S3
3	827645	Scheibe		2		ME 425 C 48V S3, ME 420 48V S3, ME 418 48V S3 US, ME 425 C 48V S3 US, ME 420 48V S3 US, ME 418 48V S3
4	828043	Scheibe		2		ME 425 C 48V S3, ME 420 48V S3, ME 418 48V S3 US, ME 425 C 48V S3 US, ME 420 48V S3 US, ME 418 48V S3
5	896323	Scheibe		2		ME 425 C 48V S3, ME 420 48V S3, ME 418 48V S3 US, ME 425 C 48V S3 US, ME 420 48V S3 US, ME 418 48V S3
6	952667	Schraube	M4x25	2		ME 425 C 48V S3, ME 420 48V S3, ME 418 48V S3 US, ME 425 C 48V S3 US, ME 420 48V S3 US, ME 418 48V S3

CLICK HERE TO **DOWNLOAD** THE COMPLETE MANUAL

- Thank you very much for reading the preview of the manual.
- You can download the complete manual from: [www.heydownloads.com](http://www.heydownloads.com) by clicking the link below



- Please note: If there is no response to CLICKING the link, please download this PDF first and then click on it.

CLICK HERE TO **DOWNLOAD** THE COMPLETE MANUAL