



Mahindra

TRACTORS

Click here to go on

[INDEX](#)

[Main Menu](#)

Parts Catalogue

'10' Series

5010 Gear Open Station



CLICK HERE TO **DOWNLOAD** THE COMPLETE MANUAL

- Thank you very much for reading the preview of the manual.
- You can download the complete manual from: www.heydownloads.com by clicking the link below



- Please note: If there is no response to CLICKING the link, please download this PDF first and then click on it.

CLICK HERE TO **DOWNLOAD** THE COMPLETE MANUAL

ENGINE

1 ENGINE

FIG 101 CYLINDER BLOCK GROUP	-----	04
FIG 102 OIL PAN GROUP	-----	06
FIG 103 CYLINDER HEAD GROUP	-----	08
FIG 104 GEARCASE GROUP	-----	10
FIG 105 MAIN BEARING CASE GROUP	-----	12
FIG 106 VALVE,ROCKER ARM GROUP	-----	14
FIG 107 CYLINDER HEAD COVER GROUP	-----	16
FIG 108 CAMSHAFT GROUP	-----	18
FIG 109 PISTON CRANKSHAFT GROUP	-----	20
FIG 110 FLYWHEEL GROUP	-----	22
FIG 111 NOZZLE HOLDER GROUP	-----	24
FIG 112 FUEL CAMSHAFT GROUP	-----	26
FIG 113 SPEED CONTROL LEVER GROUP	-----	28
FIG 114 ENGINE STOP LEVER GROUP	-----	30
FIG 115 GOVERNOR GROUP	-----	32
FIG 116 WATER PUMP GROUP	-----	34
FIG 117 WATER PIPE GROUP	-----	36
FIG 118 DYNAMO GROUP	-----	38
FIG 119 MANIFOLD GROUP	-----	40

FIG 101

CYLINDER BLOCK GROUP

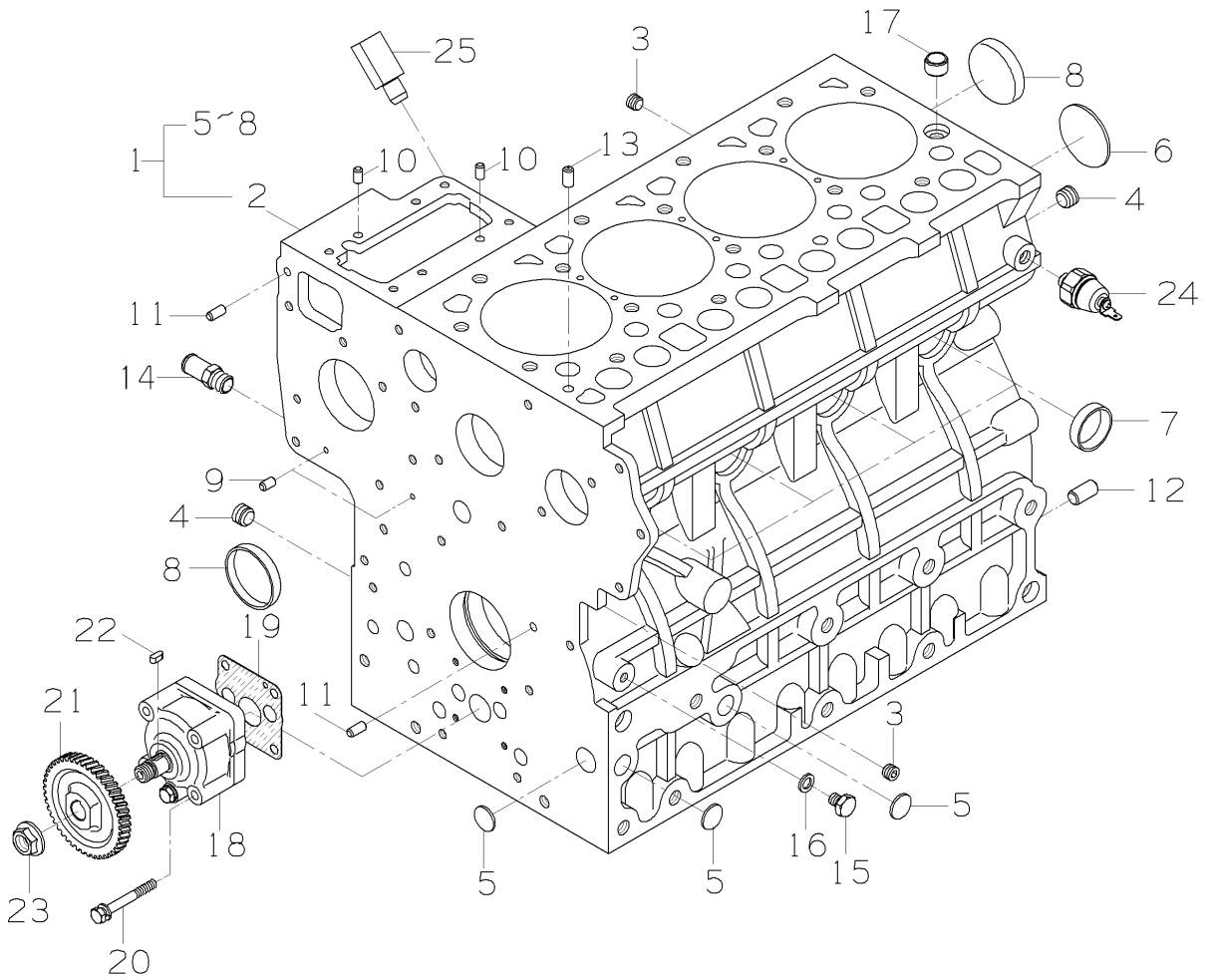
P1

Year / Month

2011 / 01



5010GEAR



NOTE

FIG 106

VALVE,ROCKER ARM GROUP

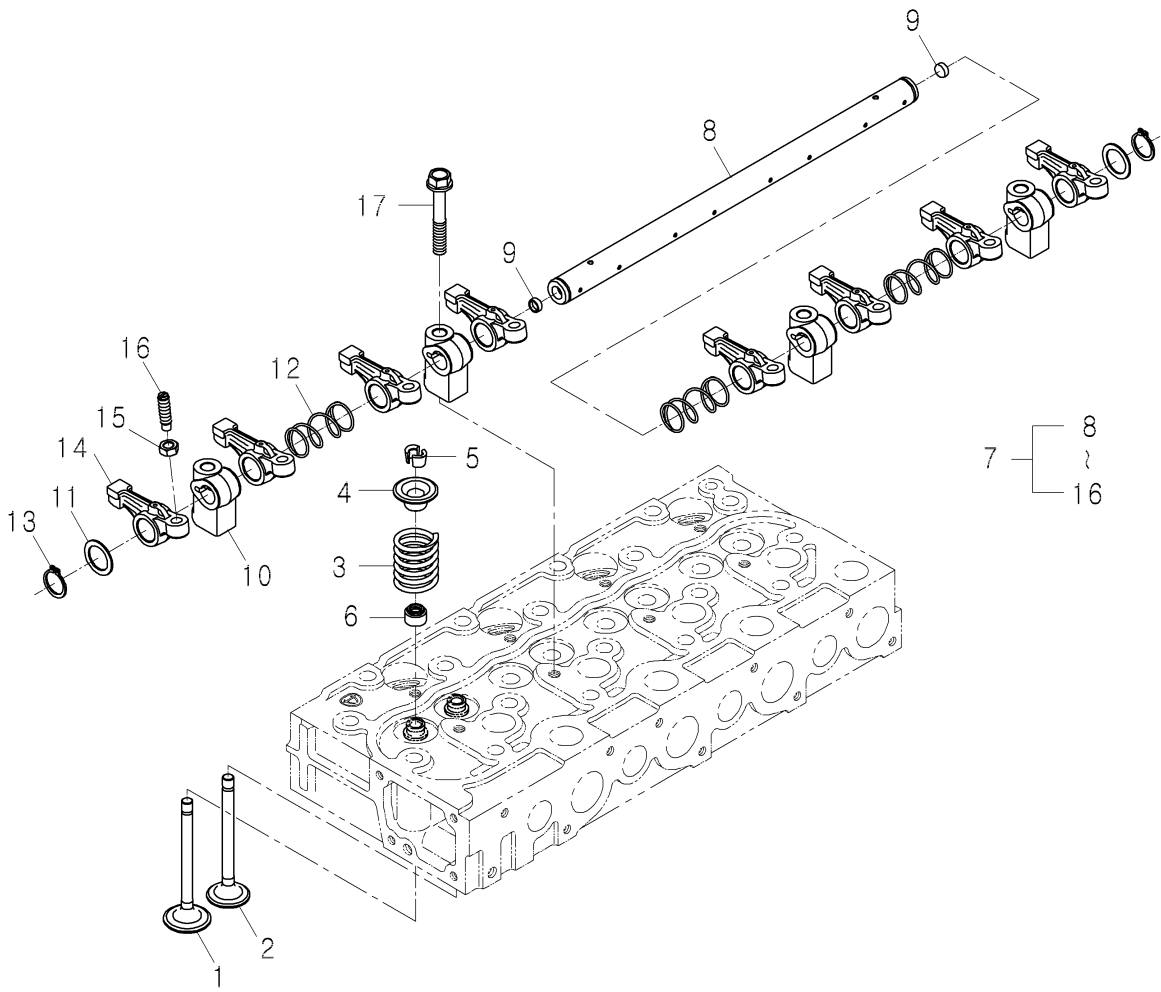
P1

Year / Month

2011 / 01



5010GEAR



NOTE

FIG 111

NOZZLE HOLDER GROUP

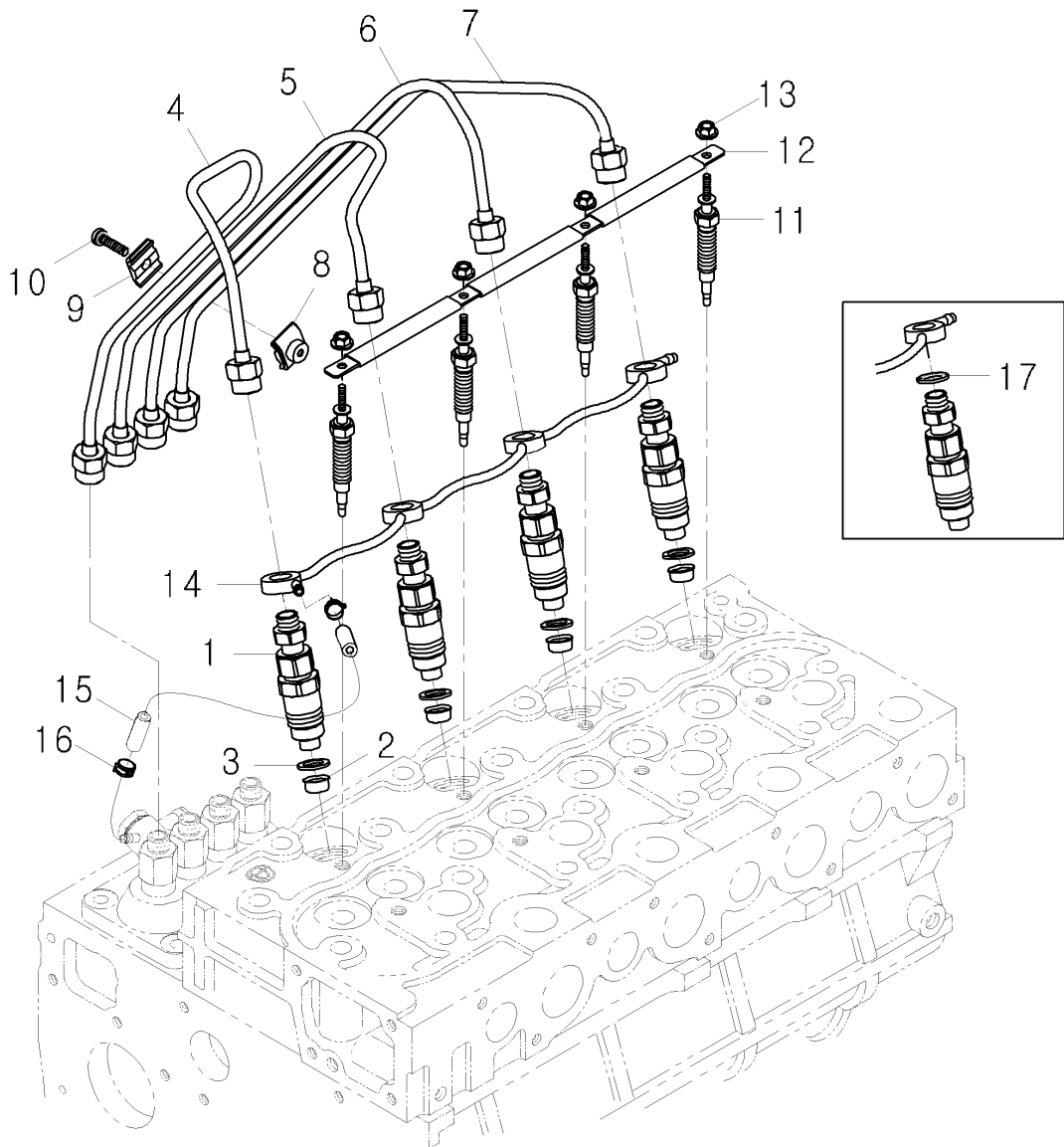
P1

Year / Month

2011 / 01



5010GEAR



NOTE

FIG 116

WATER PUMP GROUP

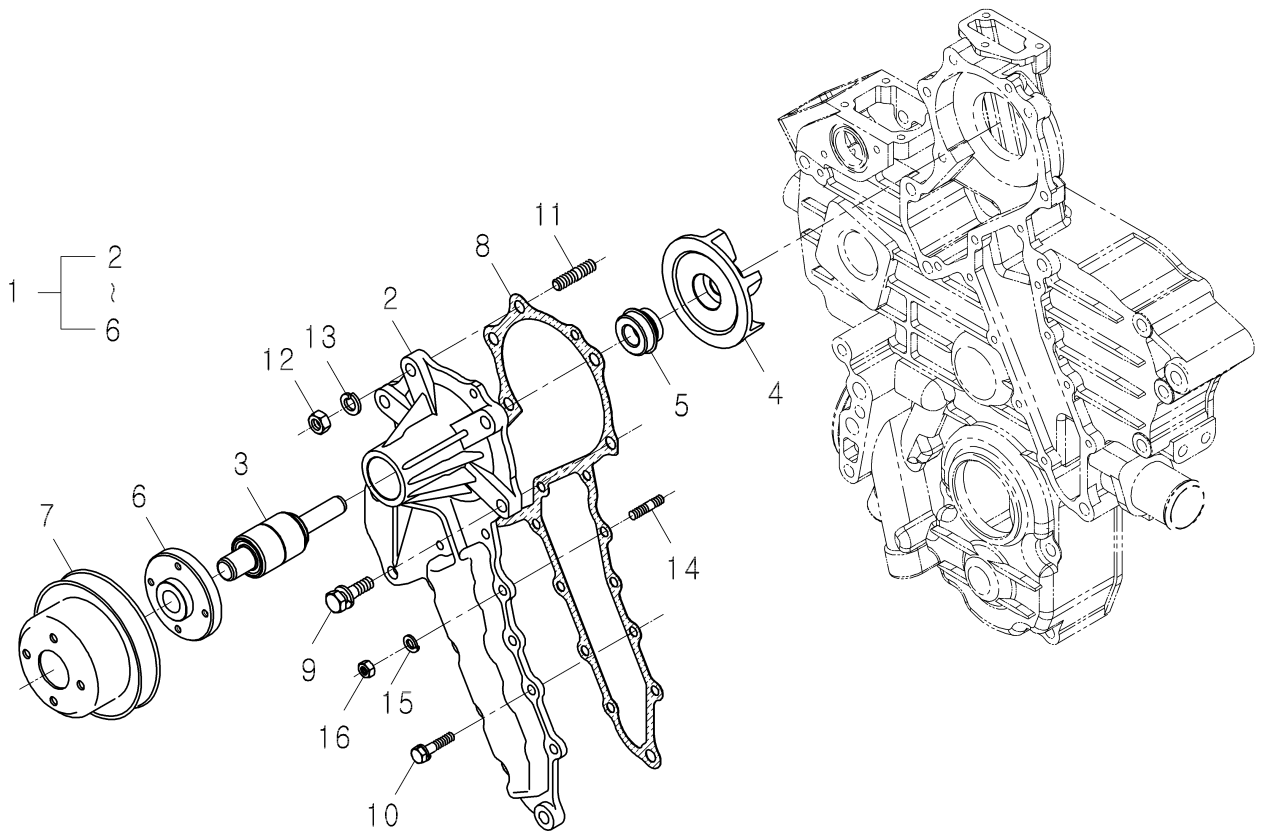
P1

Year / Month

2011 / 01



5010GEAR



NOTE

FIG 202

RADIATOR

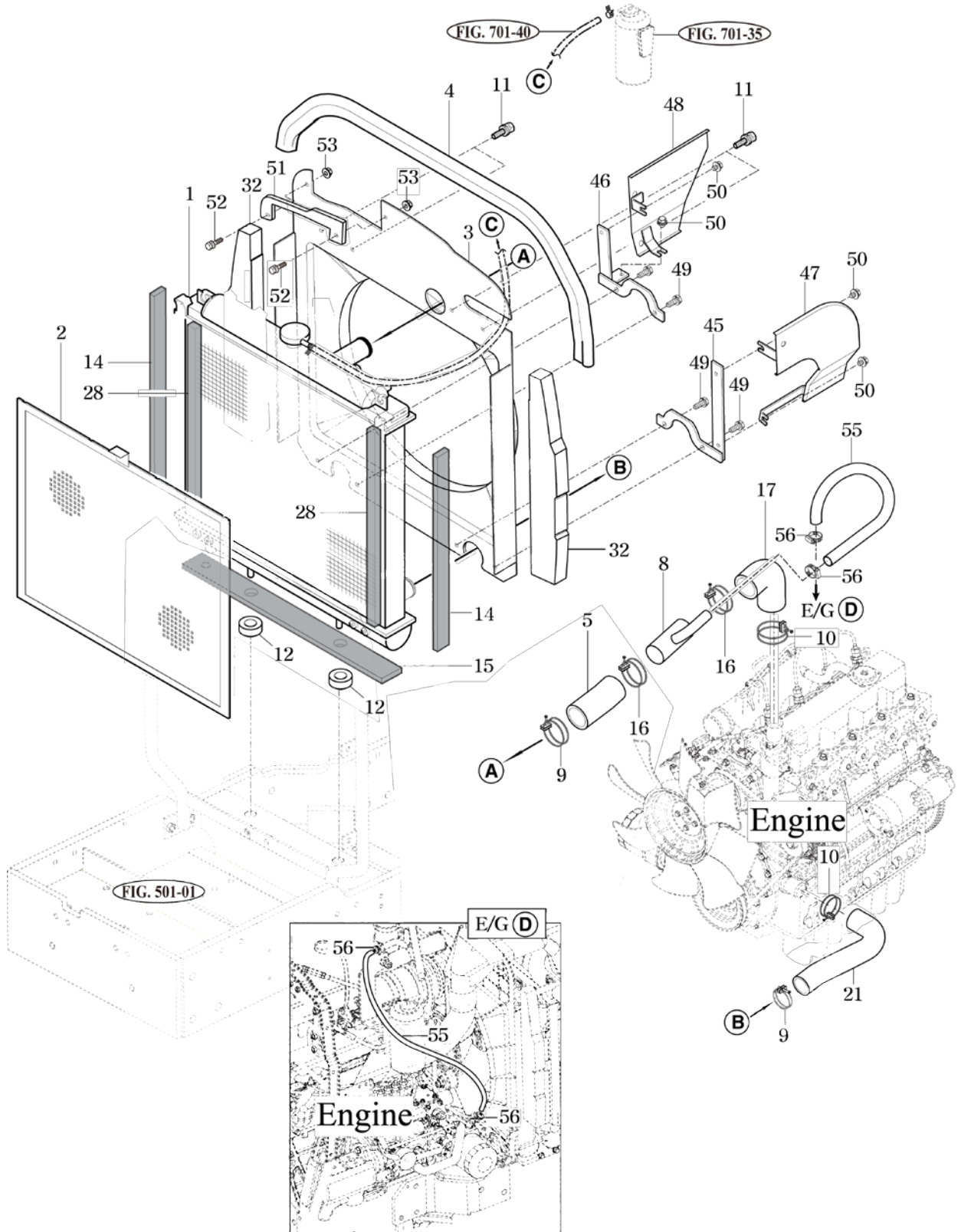
P1

Year / Month

2011 / 01



5010GEAR



NOTE

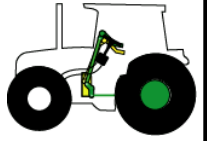
FIG 301

CLUTCH

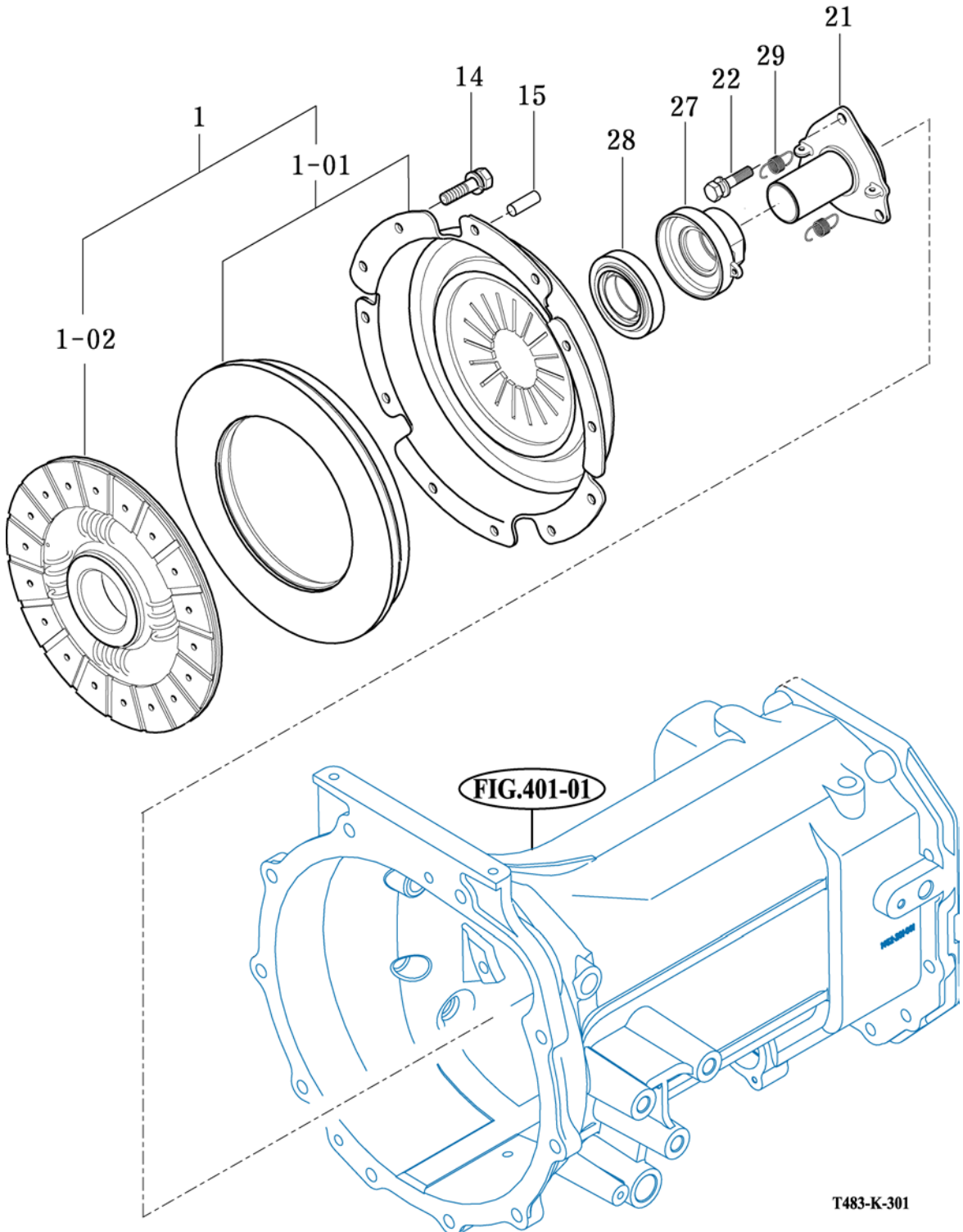
P1

Year / Month

2011 / 01



5010GEAR



T483-K-301

NOTE

FIG 306

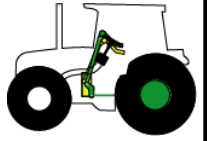
5010GEAR

REAR WHEEL

P1

Year / Month

2011 / 01



NOTE

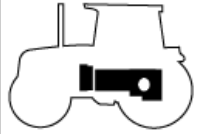
FIG 402

INPUT & COUNTER GEARS

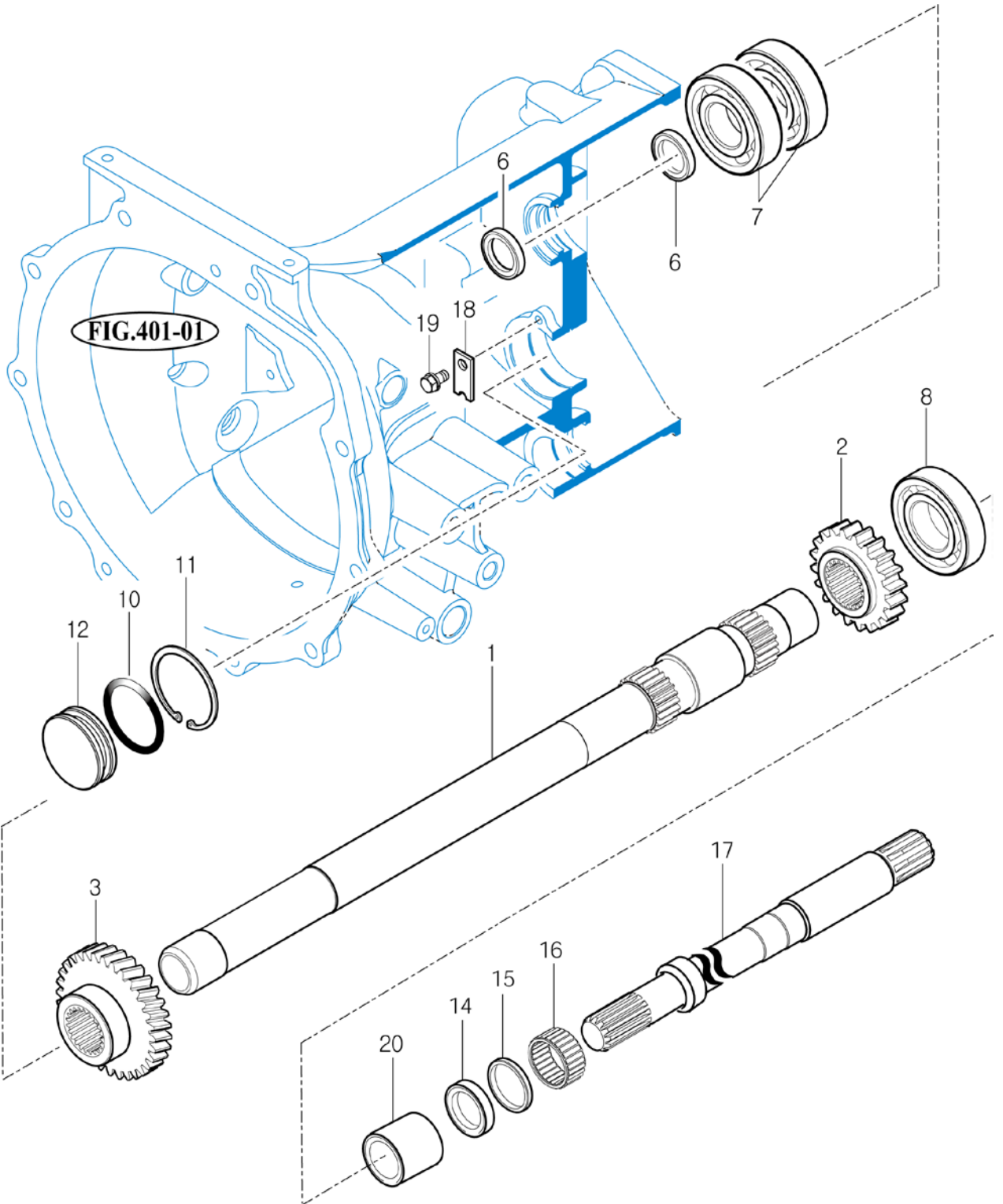
P1

Year / Month

2011 / 01



5010GEAR



*NOT SERVICED SEPARATELY

T420NC/T500NC-E-402

NOTE

CLICK HERE TO **DOWNLOAD** THE COMPLETE MANUAL

- Thank you very much for reading the preview of the manual.
- You can download the complete manual from: www.heydownloads.com by clicking the link below



- Please note: If there is no response to CLICKING the link, please download this PDF first and then click on it.

CLICK HERE TO **DOWNLOAD** THE COMPLETE MANUAL

FIG 407

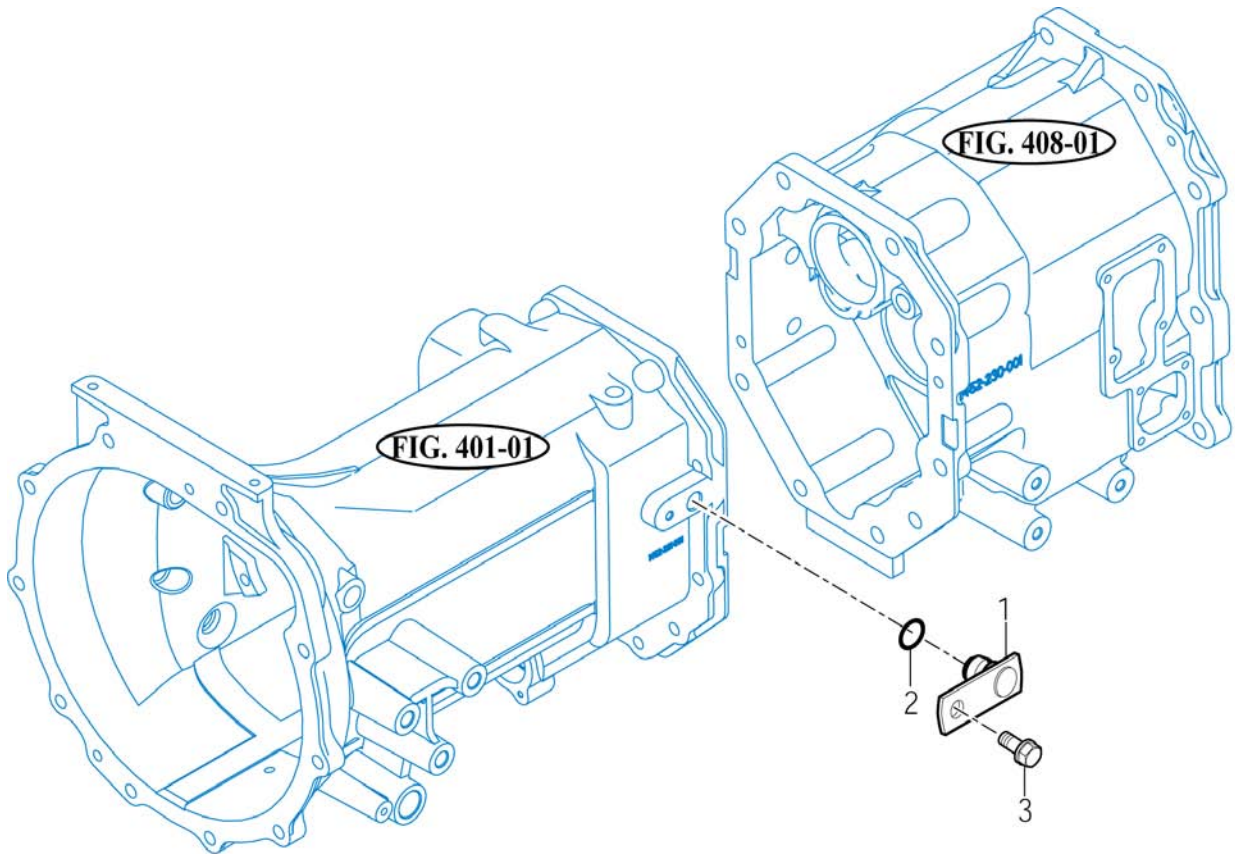
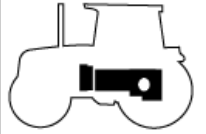
5010GEAR

REVERSE CHANGE LEVER

P1

Year / Month

2011 / 01



T483-K-407

NOTE

FIG 413

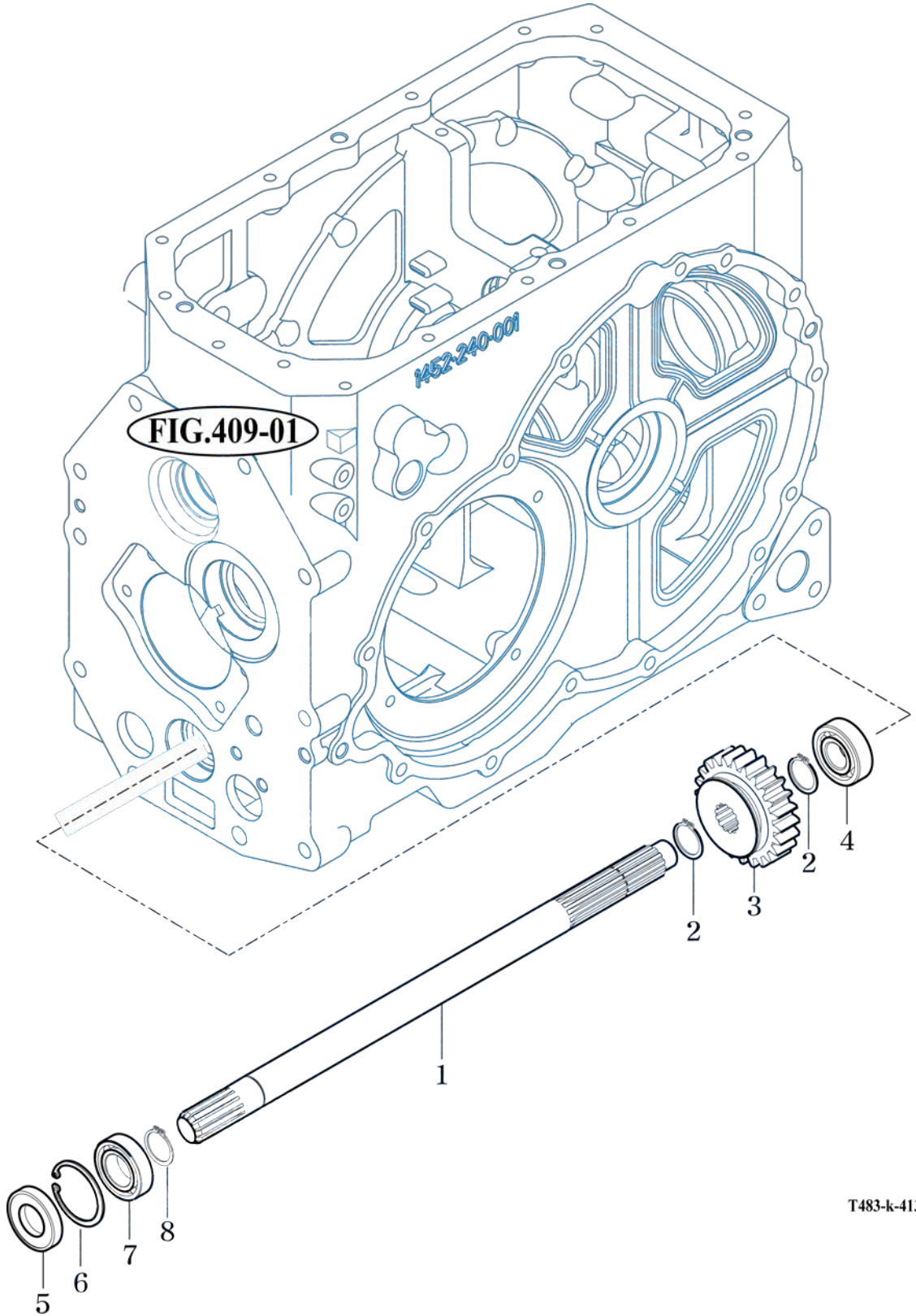
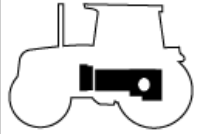
5010GEAR

4WD DRIVE GEARS

P1

Year / Month

2011 / 01



T483-k-413

NOTE

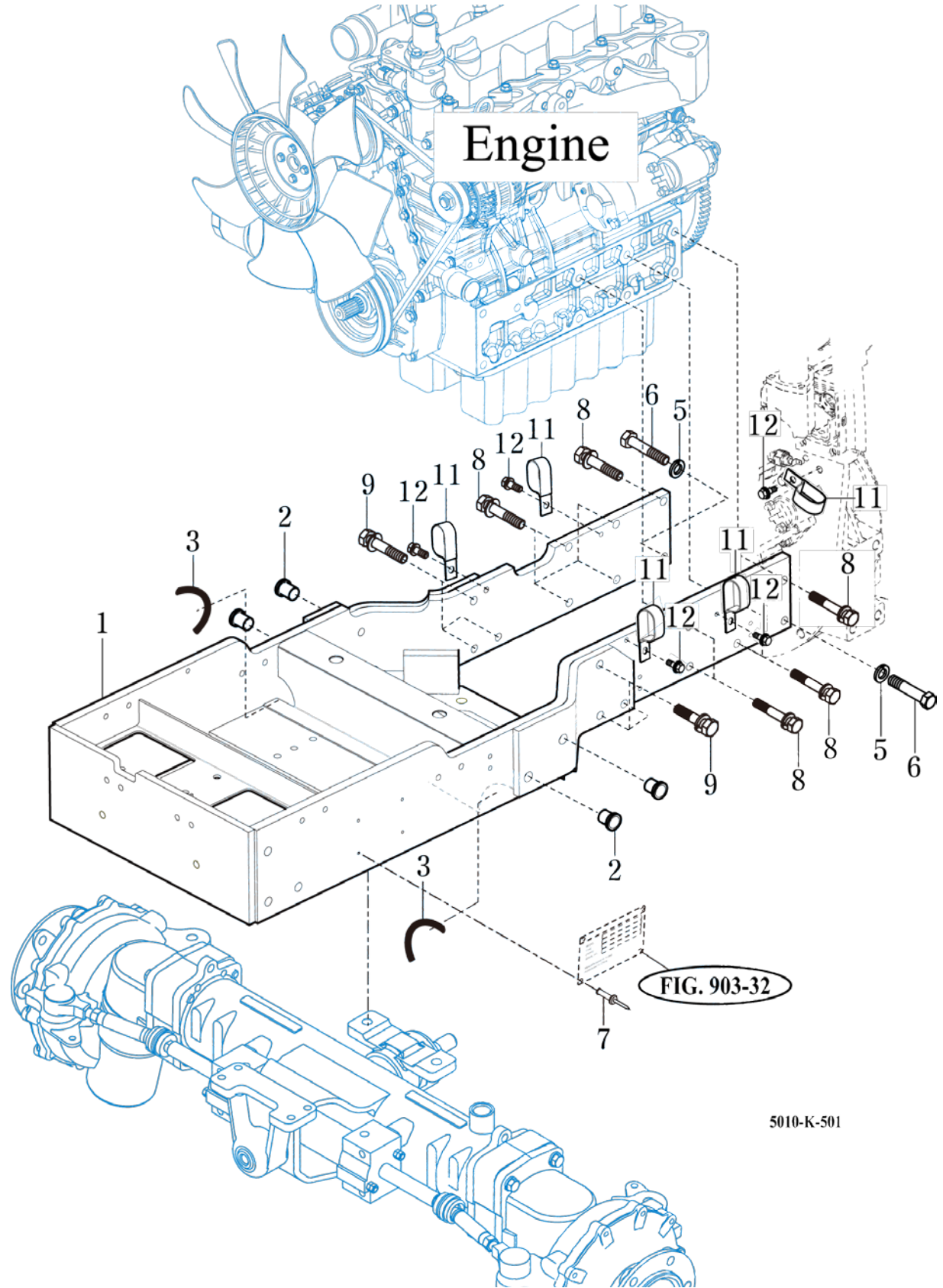
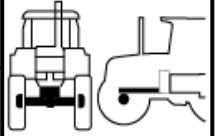
FIG 501

FRONT AXLE SUPPORT

P1

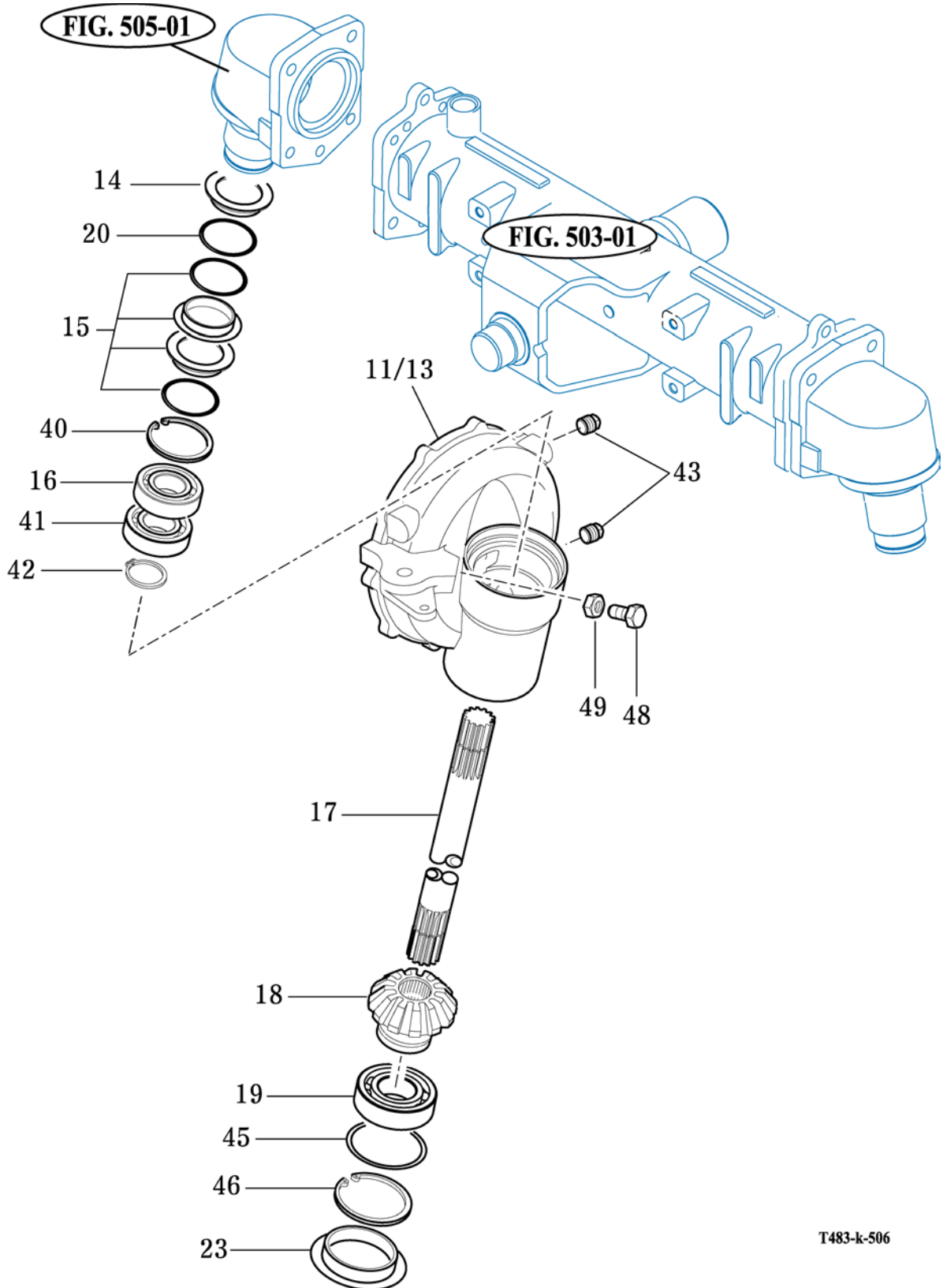
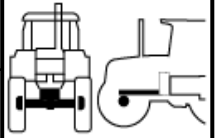
Year / Month

2011 / 01



5010-K-501

NOTE



T483-k-506

NOTE

FIG 604

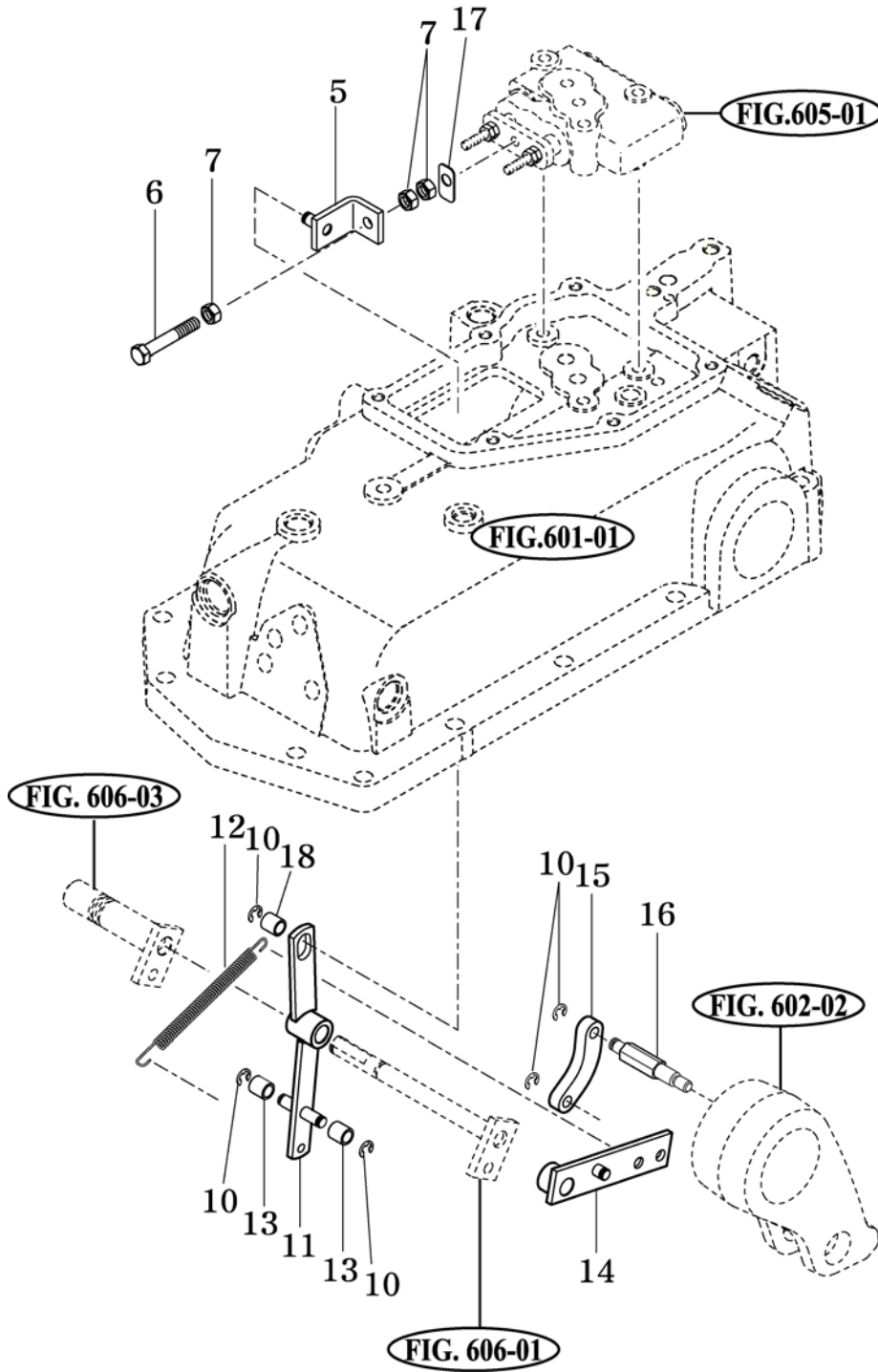
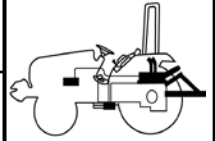
5010GEAR

POSITION LINK

P1

Year / Month

2011 / 01



T483-K-604

NOTE

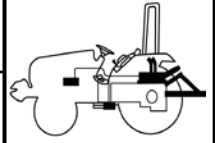
FIG 609

HYDRAULIC PIPE(1)

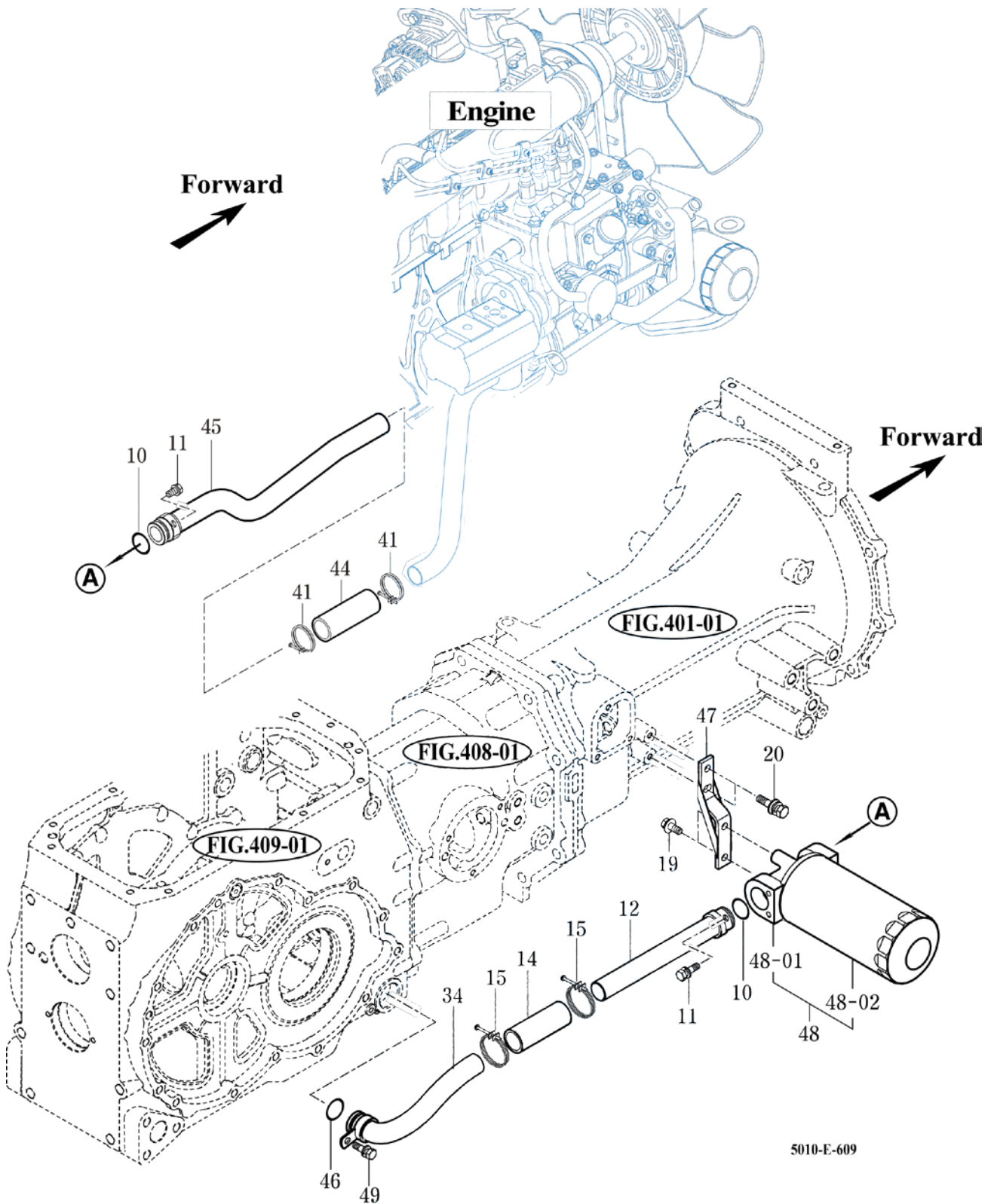
Year / Month

P1

2011 / 01



5010GEAR



NOTE

FIG 613

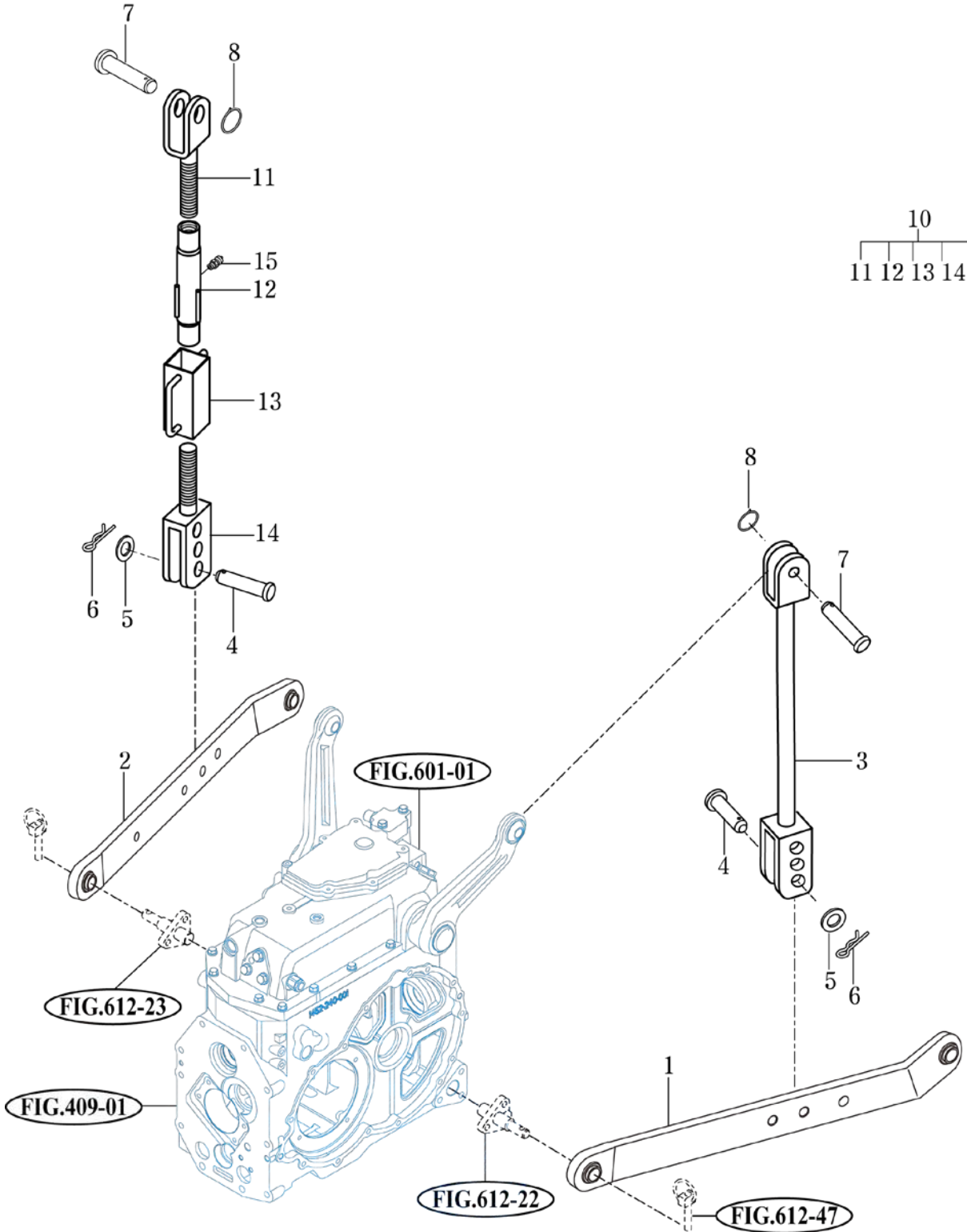
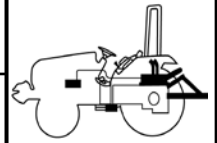
LOWER LINK & LIFT ROD

5010GEAR

P1

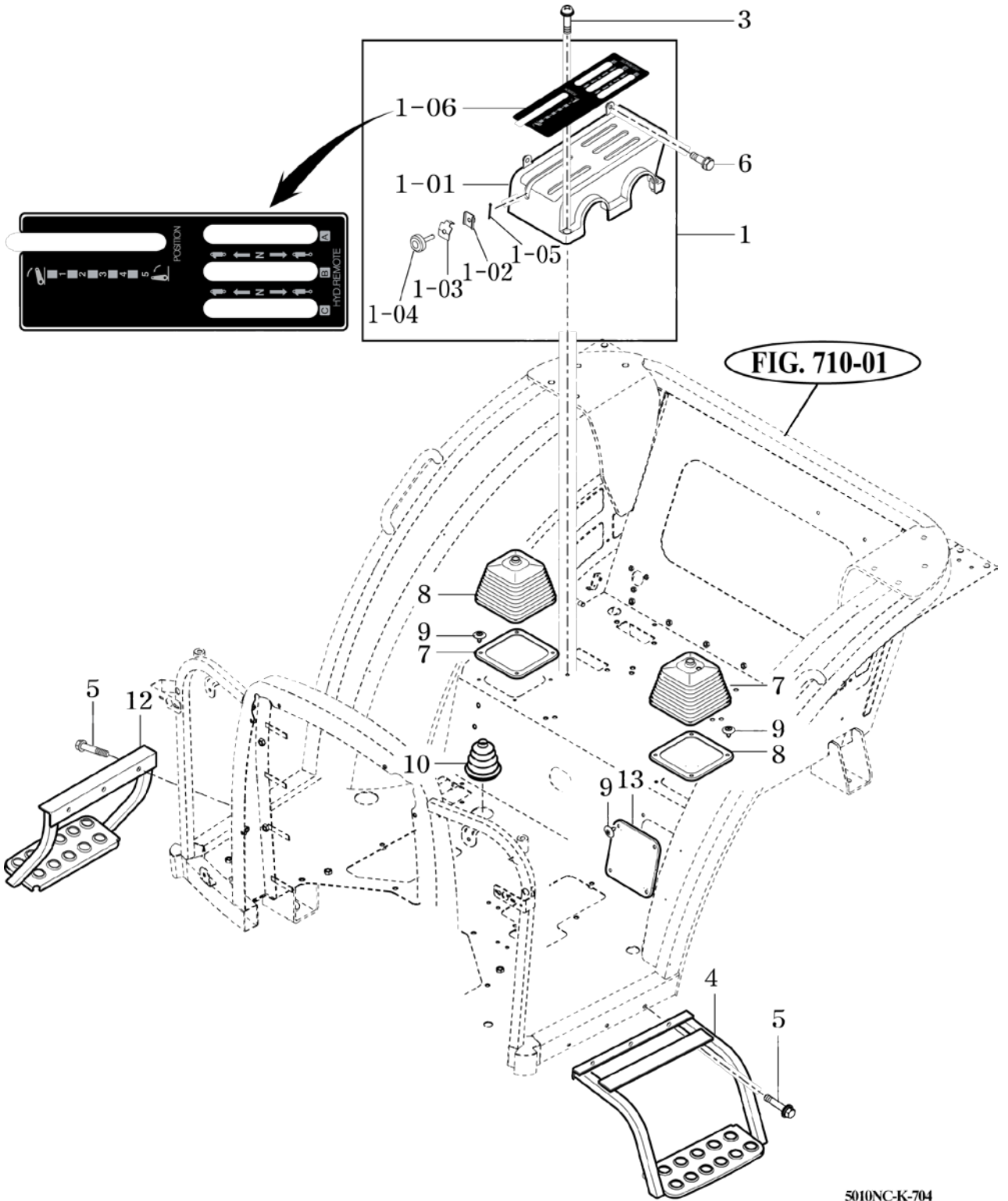
Year / Month

2011 / 01



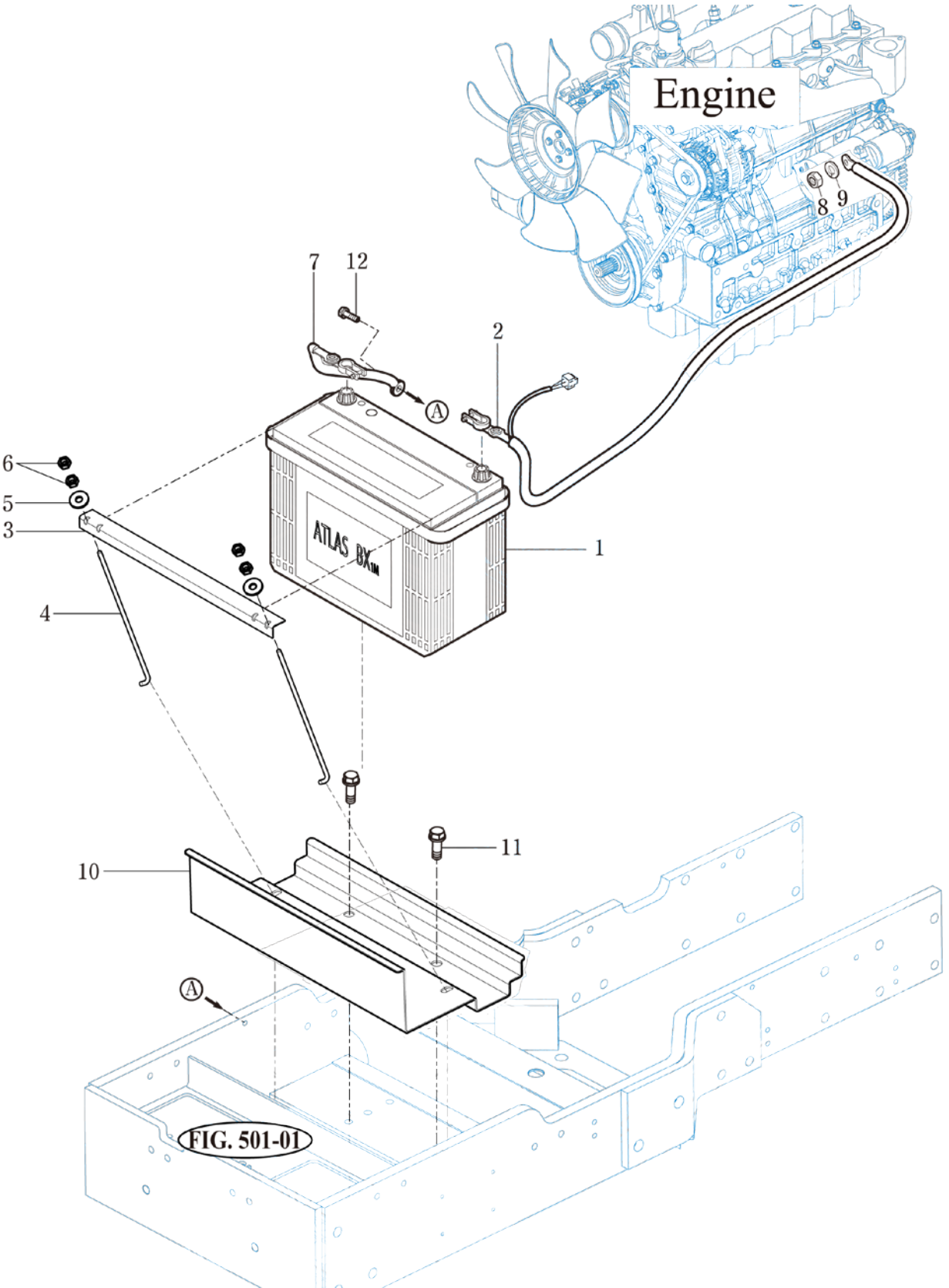
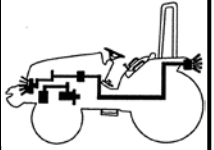
5010-E-613

NOTE



5010NC-K-704

NOTE



NOTE

FIG 901

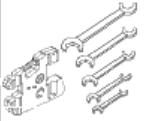
5010GEAR

TOOL & ACCESSORY

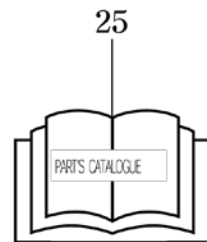
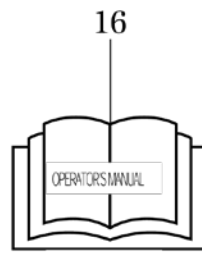
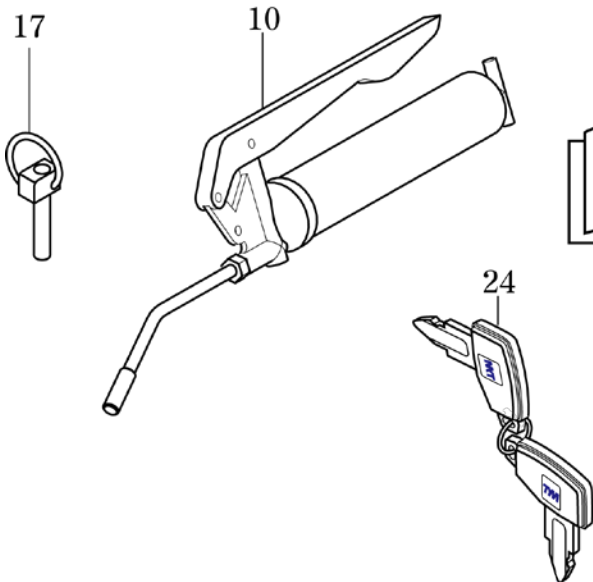
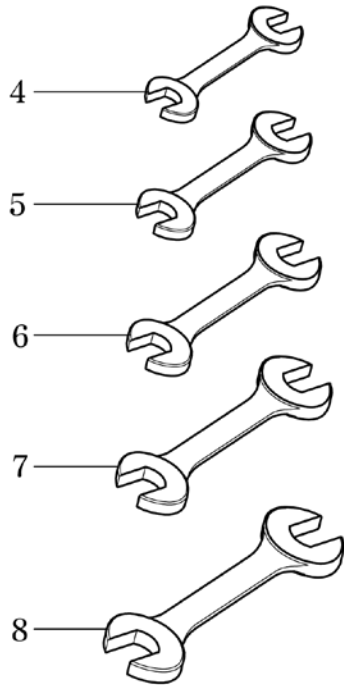
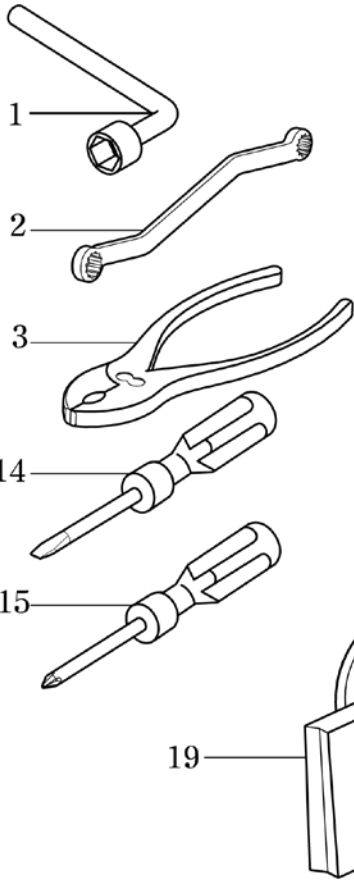
P1

Year / Month

2011 / 01



*
00
2, 3, 4, 5, 6, 7, 8, 14, 15, 19



NOTE

CLICK HERE TO **DOWNLOAD** THE COMPLETE MANUAL

- Thank you very much for reading the preview of the manual.
- You can download the complete manual from: www.heydownloads.com by clicking the link below



- Please note: If there is no response to CLICKING the link, please download this PDF first and then click on it.

CLICK HERE TO **DOWNLOAD** THE COMPLETE MANUAL