

# PARTS BOOK

---

---

---

# PC05-6F

## HYDRAULIC EXCAVATOR

SERIAL NUMBERS PC05-6F - F10001 AND UP

CLICK HERE TO **DOWNLOAD** THE COMPLETE MANUAL

- Thank you very much for reading the preview of the manual.
- You can download the complete manual from: [www.heydownloads.com](http://www.heydownloads.com) by clicking the link below



- Please note: If there is no response to CLICKING the link, please download this PDF first and then click on it.

CLICK HERE TO **DOWNLOAD** THE COMPLETE MANUAL

09. MARK PLATE, TOOL AND KIT	
MARKS AND PLATES (EUROPE)	9802 9- 2
MARKS AND PLATES (ITALIAN)	9804 9- 6
MARKS AND PLATES (GERMAN)	9810 9-10
MARKS AND PLATES (FRENCH)	9811 9-14
TOOL	9901 9-18
SPARE PARTS	9905 9-20

99. NUMERICAL INDEX	
NUMERICAL INDEX	1



FIG. 0402 FUEL INJECTION EQUIPMENT (DIESEL)

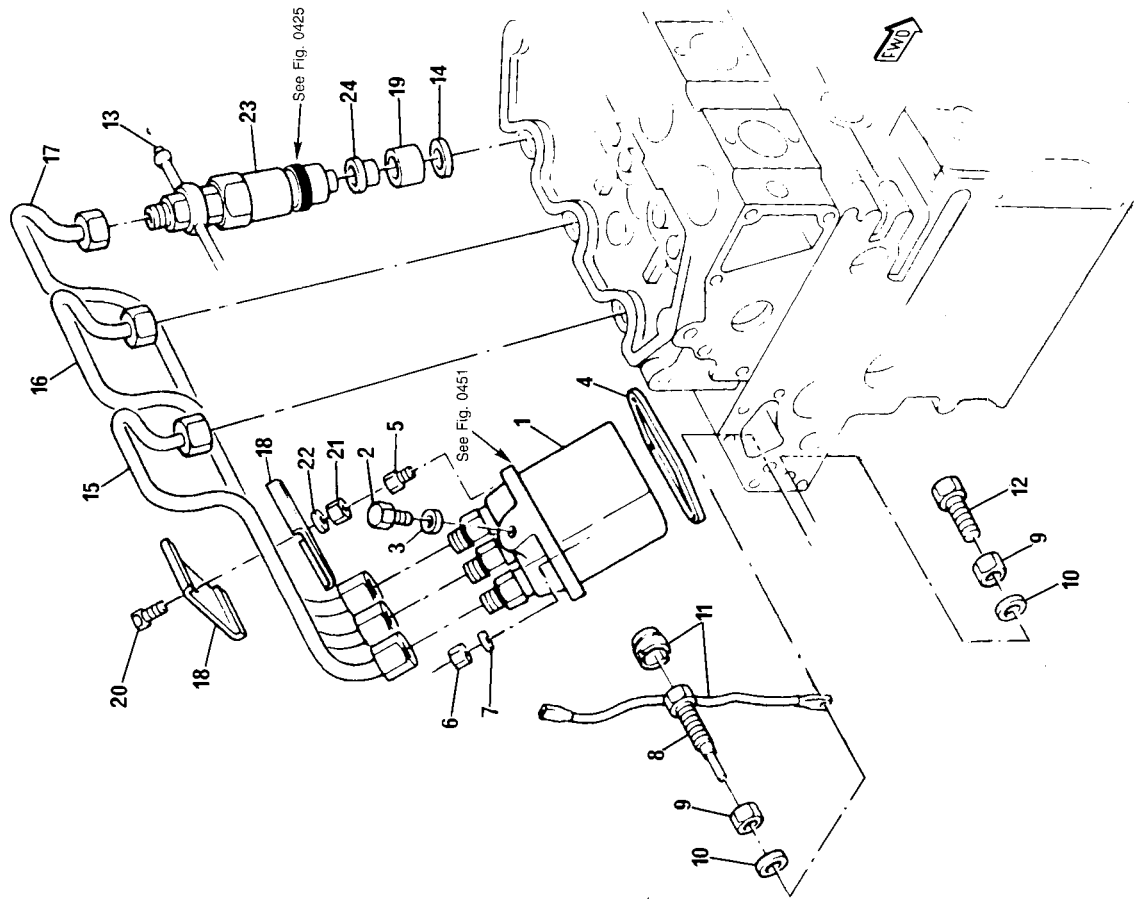


FIG. N° .:0402

INDEX N°.	PART N°.	DESCRIPTION	Q.TY	SERIAL N° KC80462
1	(PK131017310)	INJECTION PUMP (SEE FIG. 0451)	1	J30479T -
2	PK131236201	SCREW	1	J30479T -
3	PK025100006	WASHER	1	J30479T -
4	PK131437310	SHIM	AR	J30479T -
	PK131437320	SHIM	AR	J30479T -
	PK131437330	SHIM	AR	J30479T -
	PK131437340	SHIM	AR	J30479T -
5	PK011300620	SCREW	2	J30479T -
6	PK023100006	NUT	2	J30479T -
7	PK027109010	WASHER	2	J30479T -
8	PK131466060	SCREW	1	J30479T -
9	PK023109002	NUT	2	J30479T -
10	PK025100010	WASHER	2	J30479T -
11	PK198236030	WIRE	1	J30479T -
12	PK010109270	SCREW	1	J30479T -
13	PK131606150	LEAK-OFF PIPE	1	J30479T -
14	PK198996050	SEAL	3	J30479T -
15	PK131506650	INJECTION PIPE	1	J30479T -
16	PK131506660	INJECTION PIPE	1	J30479T -
17	PK131506670	INJECTION PIPE	1	J30479T -
18	PK199106020	DAMPER	4	J30479T -
19	PK111316260	INSERT	3	J30479T -
20	PK010100625	SCREW	2	J30479T -
21	PK020100006	NUT	2	J30479T -
22	PK027100006	WASHER	2	J30479T -
23	(PK131406330)	ATOMISER (SEE FIG. 0425)	3	J30479T -
24	PK111346020	CAP	3	J30479T -

FIG. 0633 APPLICATION MISCELLANEOUS AND AUXILIAIRES

FIG. N° .0633

INDEX N°.	PART N°.	DESCRIPTION	Q.TY	SERIAL N°.
1	PK314990013	JOINT	1	J30479T -
2	PK020100008	NUT	1	J30479T -
3	PK185516060	REGULATOR	1	J30479T -
4	PK314120070	FLANGE	1	J30479T -
5	PK011310825	SCREW	4	J30479T -
6	PK385620200	CONNECTION	2	J30479T -
7	PK385620010	CONNECTION	1	J30479T -
8	PK385620140	CONNECTION	1	J30479T -
9	PK385620270	CONNECTION	1	J30479T -

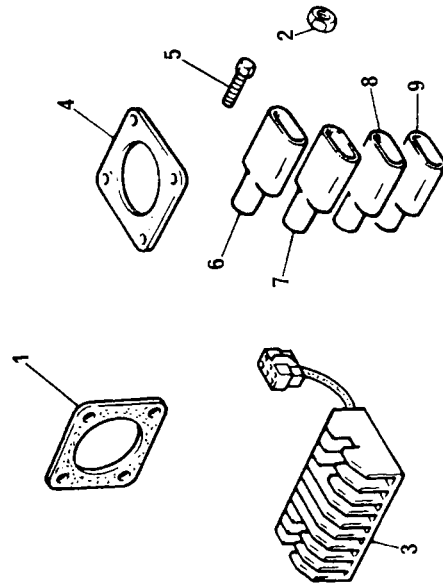


FIG. 1002 BRACKET (SERIAL No. F15001)

FIG. N° .:1002

INDEX N°.	PART N°.	DESCRIPTION	Q.TY	SERIAL N°.
1	20W-01-R2161	FRONT BRACKET, L.H.	1	F15001 -
2	20W-01-R2181	REAR BRACKET, L.H.	1	F15001 -
3	02010-70622	BOLT	6	F15001 -
4	PZF802150510	WASHER, SPRING	6	F15001 -
5	20M-01-68510	BOLT	8	F15001 -
6	PZF802150512	WASHER, SPRING	8	F15001 -
7	PZF808001046	CUSHION	4	F15001 -
8	01010-51230	BOLT	4	F15001 -
9	PZF802150512	WASHER, SPRING	4	F15001 -
10	01010-50820	BOLT	8	F15001 -
11	PZF802150508	WASHER, SPRING	8	F15001 -
12	PZF802070008	WASHER	8	F15001 -
13	20W-01-R2151	FRONT BRACKET, R.H.	1	F15001 -
14	20W-01-R2171	REAR BRACKET, R.H.	1	F15001 -

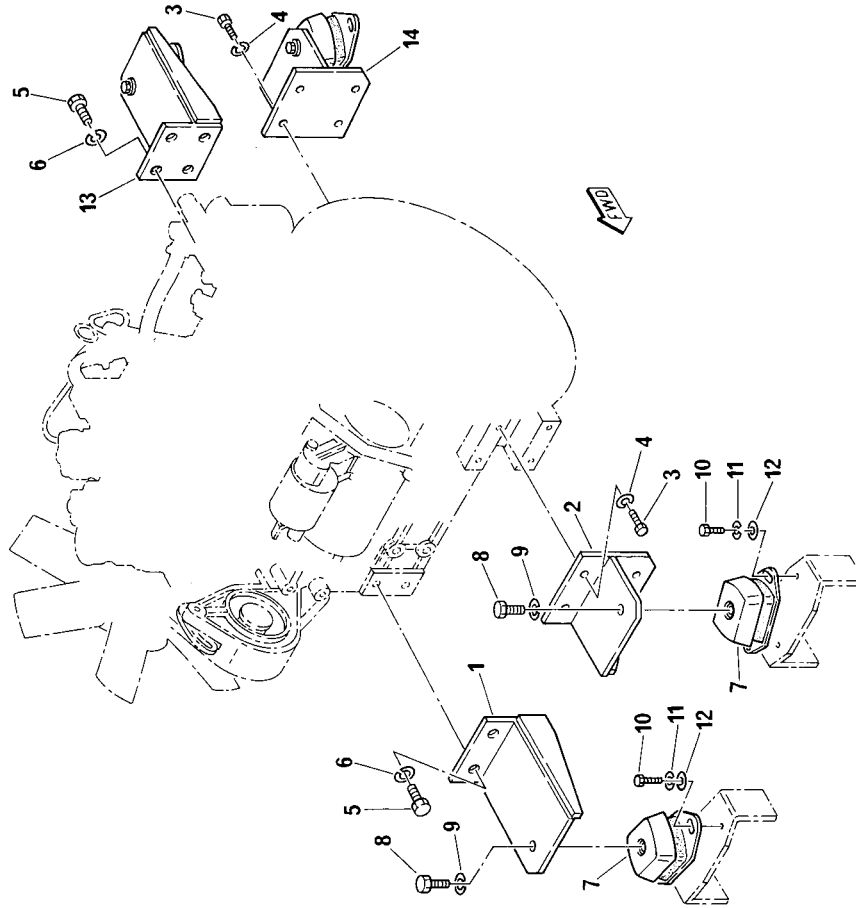
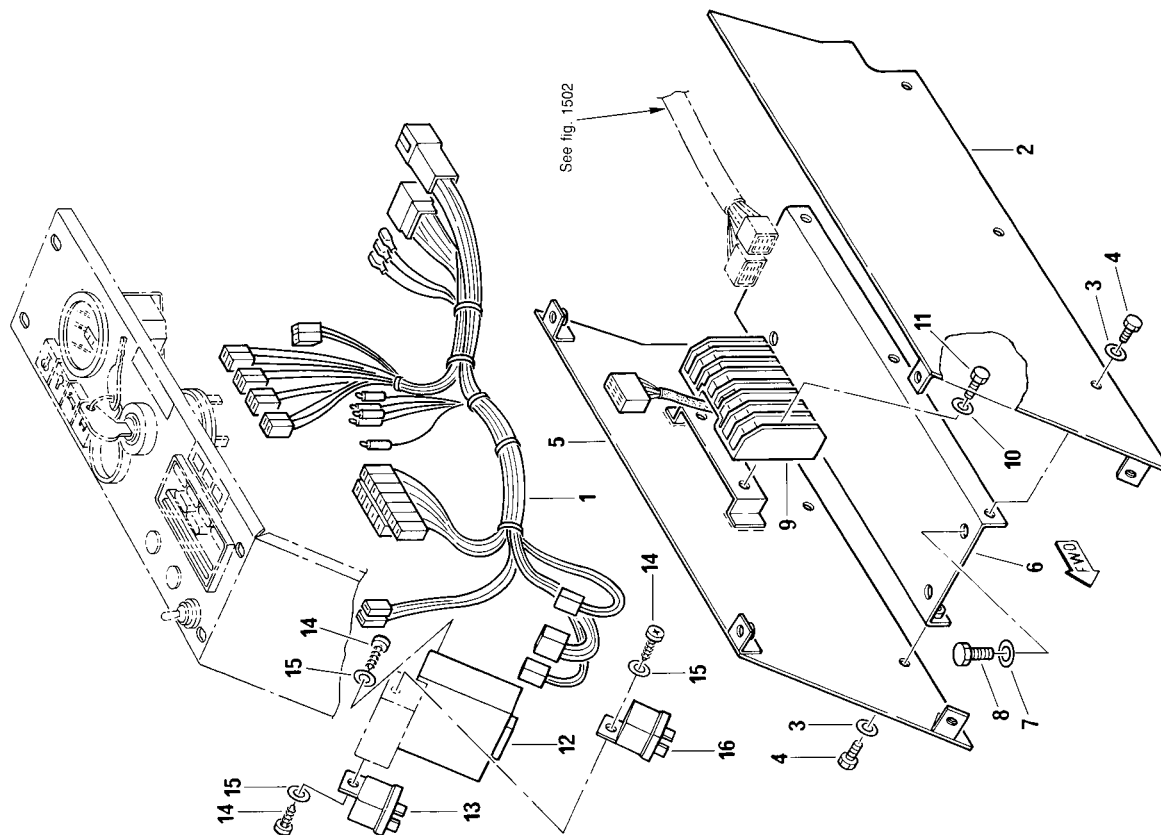


FIG. 1501 ELECTRICAL SYSTEM (INSTRUMENT PANEL LINE)

FIG. N° .:1501

INDEX N°.	PART N°.	DESCRIPTION	Q.TY	SERIAL N°.
1	20M-06-R1121	WIRE ASSY.	1	F10001 -
2	20M-06-48122	INSIDE PLATE	1	F10001 -
3	01643-30623	WASHER	6	F10001 -
4	01010-50610	BOLT	6	F10001 -
5	20W-06-R1081	OUTSIDE PLATE	1	F10001 -
6	20M-06-48150	PLATE	1	F10001 -
7	01643-30823	WASHER	4	F10001 -
8	01010-50816	BOLT	4	F10001 -
9	PK185516060	REGULATOR	1	F10001 -
10	PZF802150506	WASHER SPRING	2	F10001 -
11	PZF801014047	BOLT	2	F10001 -
12	PZF885411104	TIMER	1	F10001 -
13	PZF885070011	STARTING RELAY	1	F10001 -
14	PZF801370040	SELF-DRILLING SCREW	3	F10001 -
15	01641-20508	WASHER	3	F10001 -
16	PZF885411064	STARTING RELAY	1	F10201 -



CLICK HERE TO **DOWNLOAD** THE COMPLETE MANUAL

- Thank you very much for reading the preview of the manual.
- You can download the complete manual from: [www.heydownloads.com](http://www.heydownloads.com) by clicking the link below



- Please note: If there is no response to CLICKING the link, please download this PDF first and then click on it.

CLICK HERE TO **DOWNLOAD** THE COMPLETE MANUAL

FIG. 3212 RECOIL SPRING (FOR RUBBER SHOE)

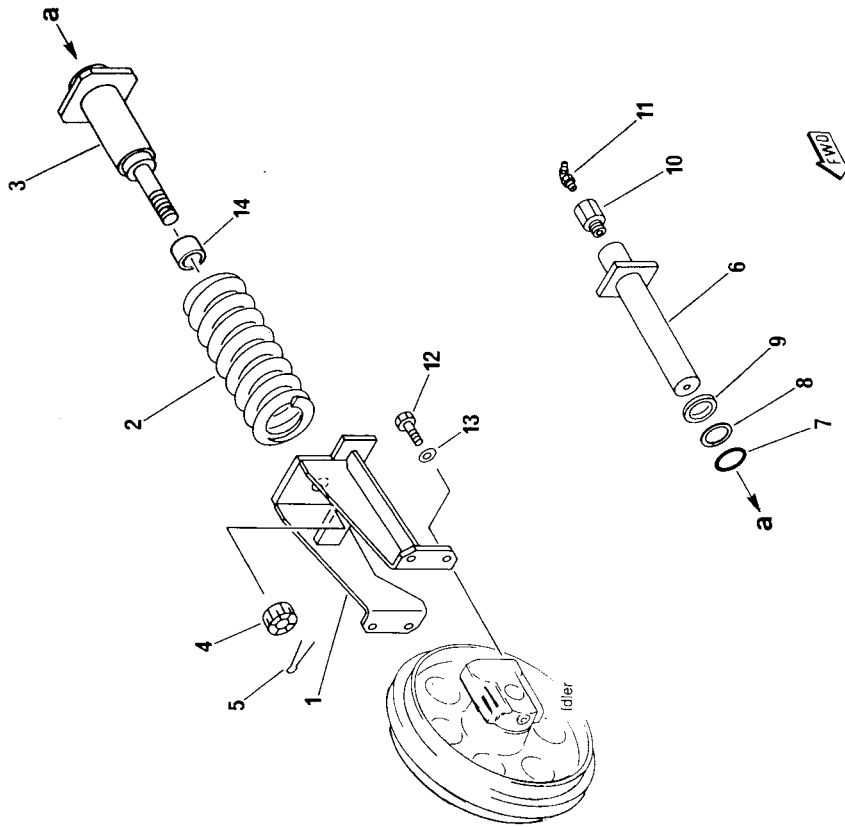


FIG. N° .3212

INDEX N°.	PART N°.	DESCRIPTION	Q.TY	SERIAL N°.
1	20W-30-13110	BRACKET	2	F10001 -
2	20M-30-11330	SPRING, RECOIL	2	F10001 -
3	20W-30-13121	CYLINDER	2	F10001 -
4	PZF801802218	NUT	2	F10001 -
5	PZF802610072	PIN, COTTER	2	F10001 -
6	20M-30-31231	ROD	2	F10001 -
7	PZF855021217	O-RING	2	F10001 -
8	PZF855080217	RING, BACK-UP	2	F10001 -
9	20M-30-31250	SEAL, DUST	2	F10001 -
10	20M-30-31240	VALVE	2	F10001 -
11	PZF860020005	FITTING, GREASE	2	F10001 -
12	01010-51025	BOLT	8	F10001 -
13	01643-31032	WASHER	8	F10001 -
14	20W-35-15120	SPACER	2	F10001 -

FIG. 4212 WORK EQUIPMENT CONTROL LEVER

FIG. N° :4212

INDEX N°.	PART N°.	DESCRIPTION	Q.TY	SERIAL N° PC05-6F
1	20W-43-12113	LEVER, L.H.	1	F10001 -
2	20W-43-12123	LEVER, R.H.	1	F10001 -
3	203-43-41910	KNOB, LEVER L.H.	1	F10001 -
4	203-06-R2291	KNOB, LEVER R.H.	1	F10001 -
5	20M-43-R2051	LEVER	2	F10001 -
6	PZF802070020	WASHER	2	F10001 -
7	PZF802250020	RING, SNAP	2	F10001 -
8	20T-43-11310	PIN	2	F10001 -
9	PZF802610055	PIN, COTTER	2	F10001 -
10	20M-43-06140	LEVER	4	F10001 -
11	PZF500611647	PIN	4	F10001 -
12	PZF802610040	PIN, COTTER	8	F10001 -
13	20M-43-06160	LEVER, L.H.	1	F10001 -
14	20M-43-06180	LEVER, R.H.	1	F10001 -
15	195-43-R1091	BEARING	8	F10001 -
16	20T-43-R2331	JOINT	2	F10001 -
17	01643-31032	WASHER	4	F10001 -
18	20T-43-R2341	END, ROD	2	F10001 -
19	01580-11008	NUT	2	F10001 -
20	01010-51030	SCREW	2	F10001 -
21	20M-43-06150	LEVER, L.H.	1	F10001 -
22	20M-43-06170	LEVER, R.H.	1	F10001 -
23	20W-43-11210	ROD	4	F10001 -
24	20M-43-48271	YOKE	4	F10001 -
25	01580-10806	NUT	4	F10001 -
26	20W-43-11220	YOKE, THREAD	4	F10001 -
27	01508-20805	NUT, L.H.	4	F10001 -
28	PZF500611649	PIN	4	F10001 -
29	PZF500611648	PIN	4	F10001 -
30	PZF802610010	PIN, COTTER	4	F10001 -

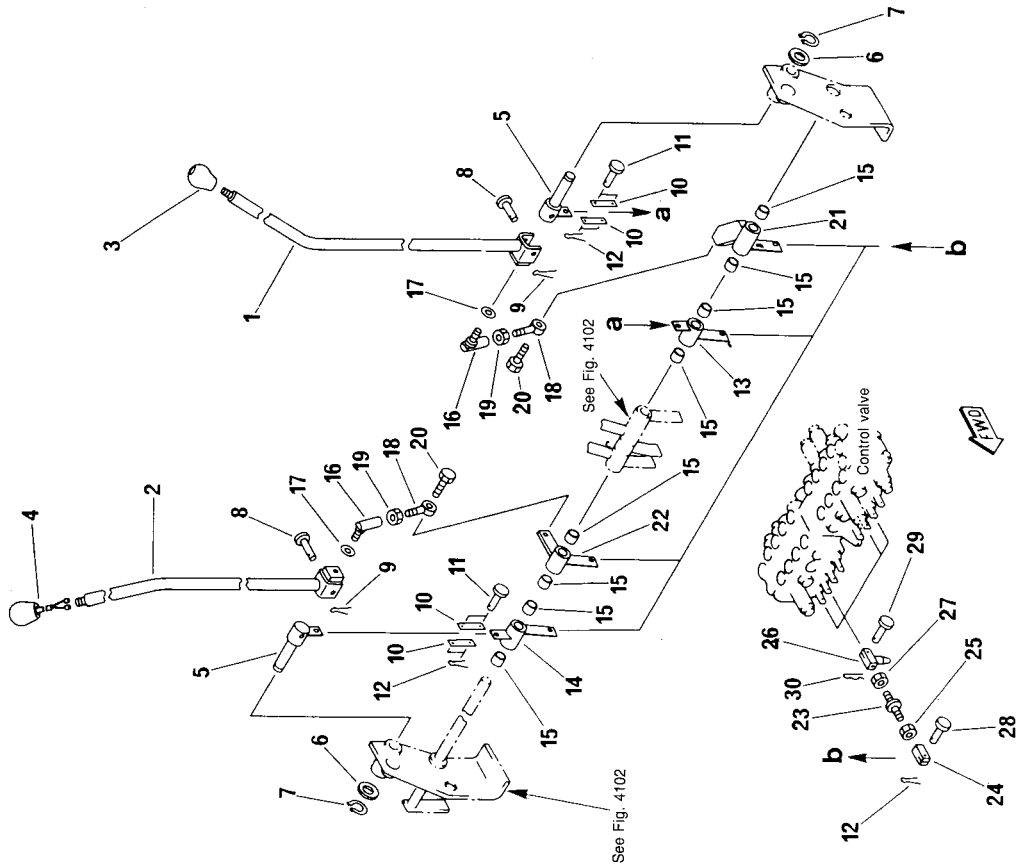


FIG. 5702 OPERATOR'S SEAT

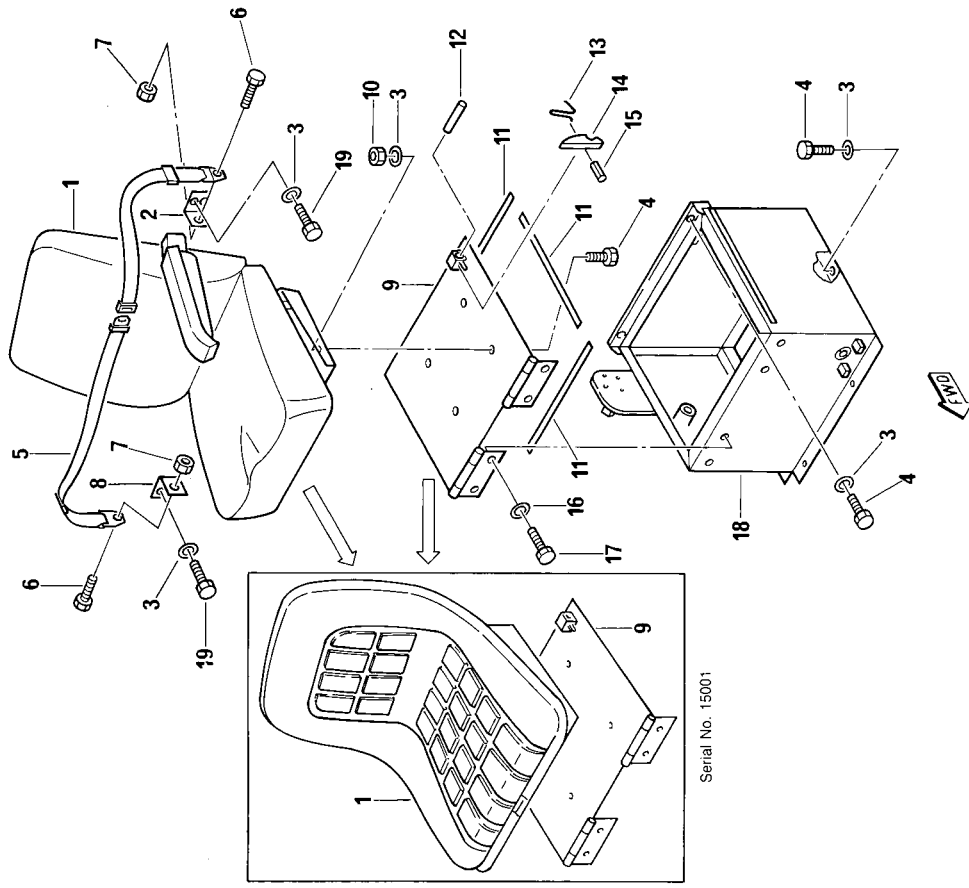


FIG. N° 5702

INDEX N°.	PART N°.	DESCRIPTION	Q.TY	SERIAL N° PC05-6F
1	20M-57-R1171	SEAT	1	F10001 - F10488
2	20M-57-R1241	SEAT	1	F15001 -
3	20M-57-R2041	BRACKET, L.H.	1	F10001 -
4	01643-30823	WASHER	14	F10001 -
5	01010-50820	BOLT	10	F10001 -
6	20N-57-R1101	SEAT BELT ASSY.	1	F10001 -
7	PZF801050037	BOLT	2	F10001 -
8	PZF801730002	NUT	2	F10001 -
9	20M-57-R2051	BRACKET, R.H.	1	F10001 -
10	20M-57-R1051	BRACKET	1	F10001 - F10488
11	20M-57-R1251	BRACKET	1	F15001 -
12	01580-00806	NUT	4	F10001 -
13	20M-57-48331	SEAL, DUST	4	F10001 -
14	111-86-19545	PIN	1	F10001 -
15	111-86-19535	SPRING	1	F10001 -
16	111-86-19250	HOOK	1	F10001 -
17	20M-57-19250	PIN, SPRING	1	F10001 -
18	PZF802510115	WASHER	4	F10001 -
19	01643-31032	BOLT	4	F10001 -
20	01010-51020	BOLT	4	F10001 -
21	20M-57-R1061	BRACKET	1	F10001 -
22	01010-50825	BOLT	4	F10001 -

FIG. 6432 TRAVEL MOTOR (2/3)

FIG. N° .6432

INDEX N°	PART N°	DESCRIPTION	Q.TY	SERIAL N°
—	20M-60-40100	TRAVEL MOTOR ASSY.	2	F10001 - F15502
—	20M-60-40101	TRAVEL MOTOR ASSY.	2	F15503 -
—	20M-60-40200	MOTOR AND VALVE A.	1	F10001 -
1	☆	BODY	1	F10001 -
2	☆	PIN	4	F10001 -
3	04025-00312	PIN, SPRING	4	F10001 -
4	☆	SHAFT	1	F10001 -
5	20W-60-12740	BEARING	1	F10001 -
6	☆	SEAL OIL	1	F10001 -
7	☆	RING BACK-UP	1	F10001 -
8	☆	BARREL, CYLINDER	1	F10001 -
9	☆	PIN	3	F10001 -
10	☆	HOLDER, SHOE	1	F10001 -
11	☆	HOLDER, BARREL	1	F10001 -
12	☆	PISTON	9	F10001 -
13	☆	SHOE	9	F10001 -
14	☆	PLATE, SWASH	1	F10001 -
15	20W-60-12770	PIN	1	F10001 -
16	☆	SPRING	1	F10001 -
17	☆	RETAINER	2	F10001 -
18	04065-02812	RING	1	F10001 -
19	☆	PLATE, VALVE	1	F10001 -
20	20W-60-12750	BEARING	1	F10001 -
21	☆	O-RING	1	F10001 -

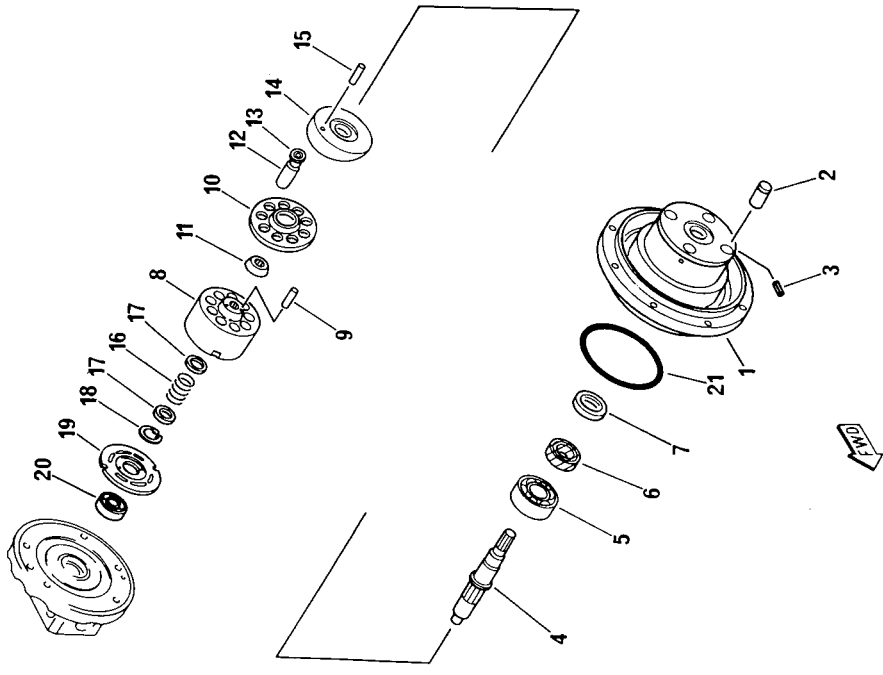


FIG. 6802 BOOM OVERLOADING ALARM

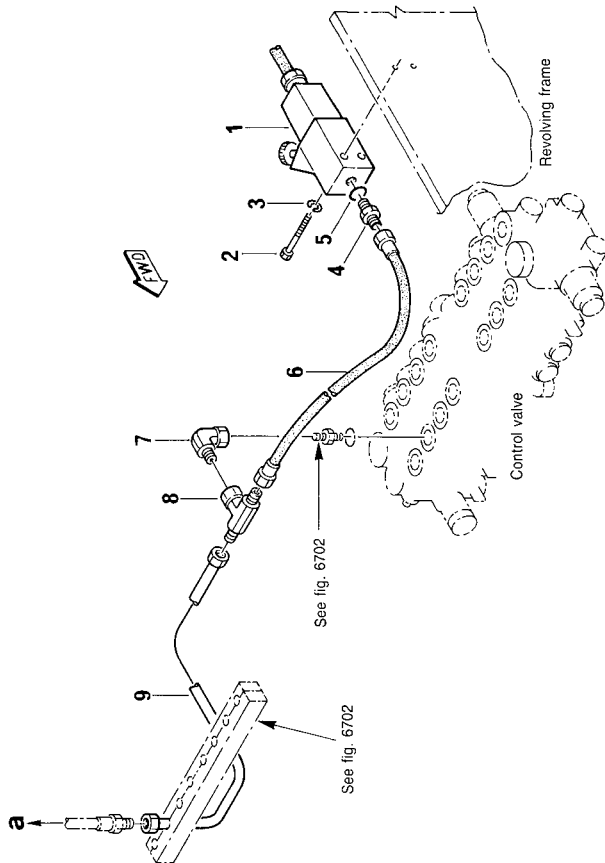
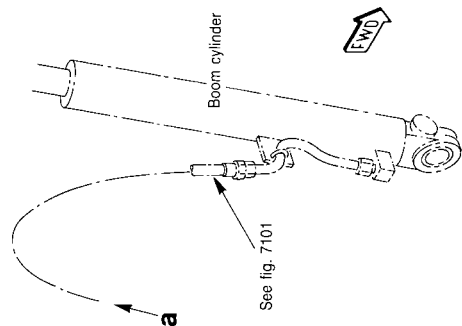


FIG. N° .6802

INDEX N°.	PART N°.	DESCRIPTION	Q.TY	SERIAL N°.
1	20S-60-13120	VALVE	1	F10001 -
2	PZF801014035	BOLT	2	F10001 -
3	01641-20508	WASHER	2	F10001 -
4	20W-62-R1531	CONNECTOR	1	F10001 -
5	PZF855051111	O-RING	1	F10001 -
6	20W-62-R2611	HOSE	1	F10001 -
7	PZF500355608	ELBOW	1	F10001 -
8	PZF500352002	CONNECTOR «T»	1	F10001 -
9	20W-62-R2621	PIPE	1	F10001 -

FIG. 7182 SWING CYLINDER (SERIAL No. F15001)

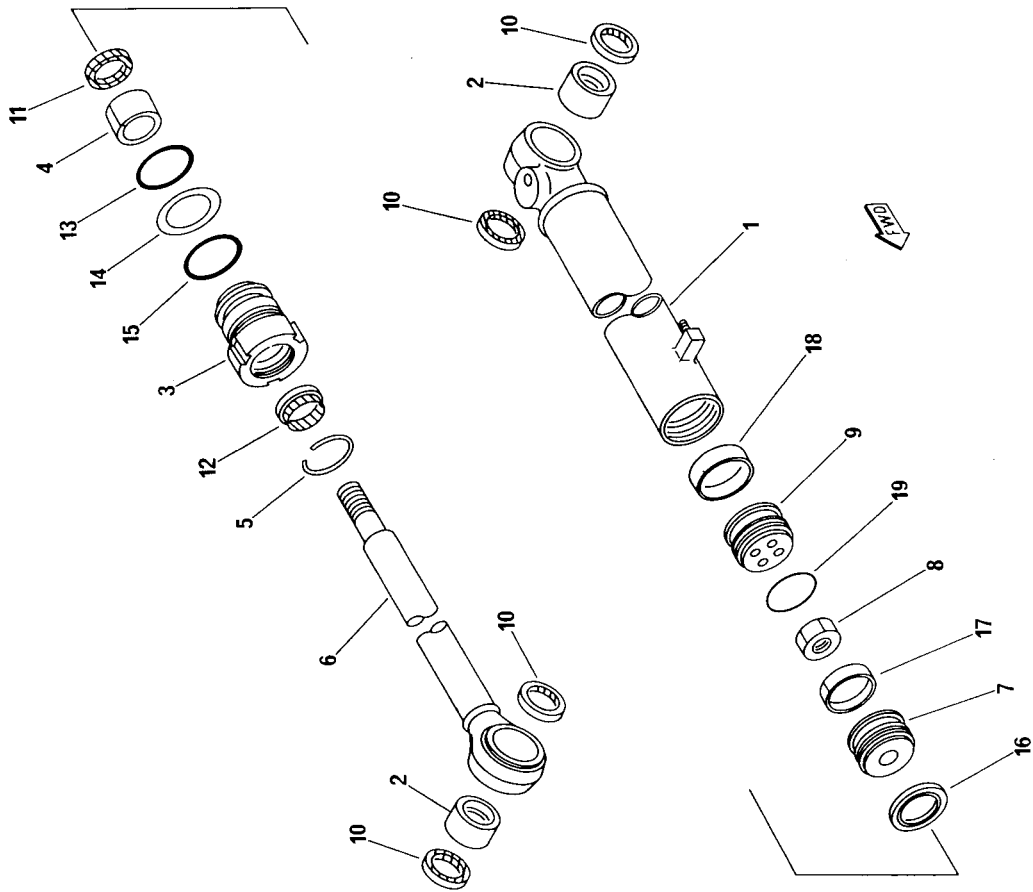


FIG. N° .:7182

INDEX N°.	PART N°.	DESCRIPTION	Q.TY	SERIAL N°.
—	707-00-R4491	SWING CYLINDER ASSY.	1	F15001 -
1	707-11-R4511	· CYLINDER	1	F15001 -
2	PZF500217302	· BUSHING	2	F15001 -
3	707-29-R4501	· HEAD, CYLINDER	1	F15001 -
4	PZF500466130	· BUSHING, ROD	1	F15001 -
5	PZF855661161	· RING	1	F15001 -
6	707-58-30690	· ROD, PISTON	1	F15001 -
7	707-36-60040	· PISTON	1	F15001 -
8	PZF801920111	· NUT	1	F15001 -
9	707-81-R4521	· SPACER	1	F15001 -
10	PZF855661245	· GASKET SET	1	F15001 -
11	☆	· SEAL, DUST	4	F15001 -
12	☆	· PACKING, DUST	1	F15001 -
13	☆	· SEAL, SNAP	1	F15001 -
14	☆	· O-RING	1	F15001 -
15	☆	· RING, BACK-UP	1	F15001 -
16	☆	· O-RING	1	F15001 -
17	☆	· RING, PISTON	1	F15001 -
18	☆	· RING, WEAR	1	F15001 -
19	☆	· RING, WEAR	1	F15001 -
	☆	· O-RING	1	F15001 -

FIG. 7600 BUCKET (350 mm)

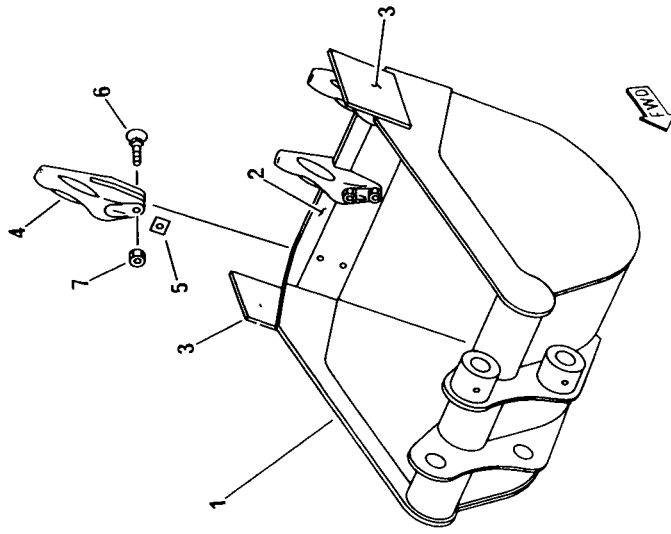


FIG. N° .7600

INDEX N°.	PART N°.	DESCRIPTION	Q.TY	SERIAL N°.
1	20M-70-R5011	BUCKET ASSY.	1	F10001 -
2	20M-70-R5171	EDGE (WELDED)	1	F10001 -
3	20W-70-15140	EDGE SIDE (WELDED)	2	F10001 -
4	20W-70-R5141	TOOTH	3	F10001 -
5	20W-70-15150	SHIM	AR	F10001 -
6	01010-51240	BOLT	6	F10001 -
7	01580-11210	NUT	6	F10001 -

FIG. 9804 MARKS AND PLATES (ITALIAN)

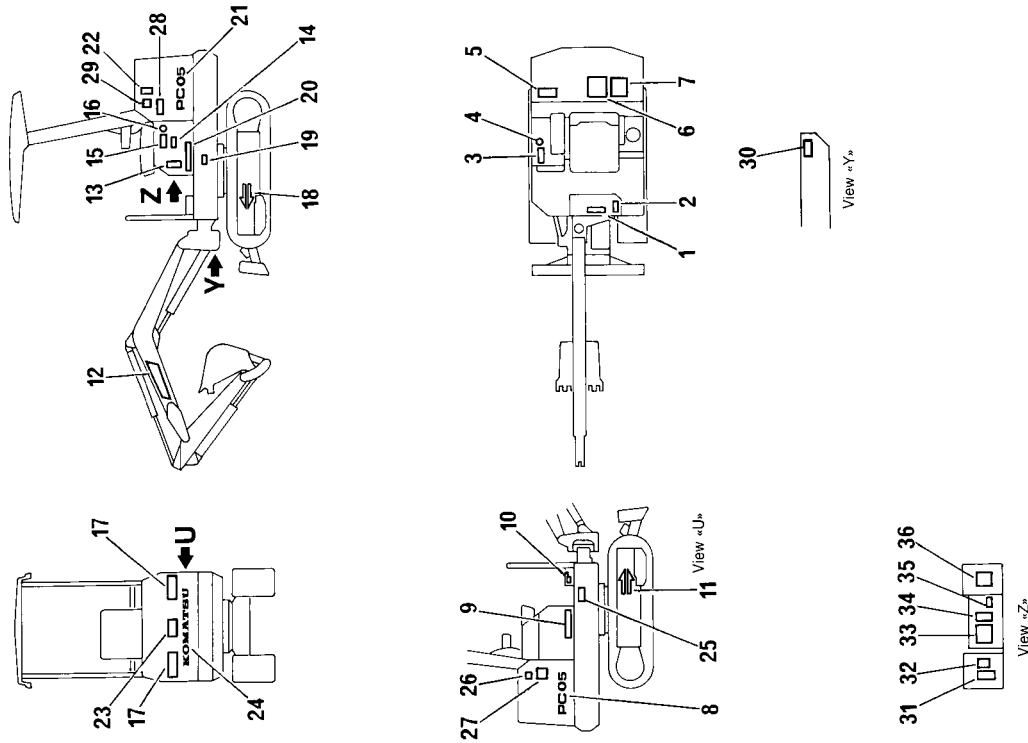


FIG. N° .9804

INDEX N°.	PART N°.	DESCRIPTION	Q.TY	SERIAL N°.
1	20M-98-48110	PLATE, OPERATING WORK EQUIPMENT CONTROL	1	F10001 -
2	09685-00001	PLATE, LEVER LOCK	1	F10001 -
3	20M-98-R6151	PLATE, INSTRUCTION HYDRAULIC OIL	1	F10001 -
4	09669-00003	PLATE, CAUTION, HYDRAULIC TANK	1	F10001 -
5	20M-98-38460	PLATE, CAUTION, AIR CLEANER	1	F10001 -
6	20M-98-R1391	CHART, OIL	1	F10001 -
7	20M-98-R1781	PLATE, CAUTION	1	F10001 -
8	20M-98-62570	PLATE, MARK, PC05	1	F10001 -
9	20W-98-12510	PLATE, MARK, SYMBOL	1	F10001 -
10	09685-00002	PLATE, OPERATING SWING LOCK LEVER	1	F10001 -
11	20M-98-48250	PLATE, MARK, ARROW	1	F10001 -
12	20M-98-48240	PLATE, MARK, KOMATSU	1	F10001 -
13	09696-10080	PLATE, NOISES AT OPERATOR'S EARS	1	F10001 -
14	PZF816212476	PLATE, CAUTION FUEL TANK WATER DRAIN	1	F10001 -
15	PZF816212480	PLATE, INSTRUCTION, FUEL	1	F10001 -
16	09669-00002	PLATE, CAUTION, FUEL TANK	1	F10001 -
17	20M-98-48730	PLATE, CAUTION, TURNING AREA	2	F10001 -
18	20M-98-48250	PLATE, MARK, ARROW	1	F10001 -
19	20M-98-R1411	PLATE, OPERATING, LUBRICATION	1	F10001 -
20	20W-98-12520	PLATE, MARK, SYMBOL	1	F10001 -
21	20M-98-62570	PLATE, MARK, PC05	1	F10001 -
22	09696-00094	PLATE, SURROUNDING NOISES	1	F10001 -
23	PZF816212473	PLATE, SAFETY, ENGINE COVER	1	F10001 -
24	09690-50560	PLATE, MARK, KOMATSU	1	F10001 -
25	20M-98-R6211	PLATE, OPERATING, 3 WAY VALVE	1	F10001 -
26	PZF816212471	PLATE, CAUTION, RADIATOR CAP	1	F10001 -
27	PZF816212472	PLATE, CAUTION RADIATOR WATER LEVEL	1	F10001 -
28	20M-98-38430	PLATE, CAUTION ENGINE OIL FILTER	1	F10001 -
29	20M-98-R6141	PLATE, CAUTION, FUEL FILTER	1	F10001 -
30	PZF816212466	PLATE, NAME, (LIMITED SUPPLY) SCREW	4	F10001 -
31	PZF801570027	PLATE, SAFETY, HYDRAULIC CAP	1	F10001 -
32	20M-98-R1851	PLATE, HYDRAULIC OIL FILTER	1	F10001 -
33	PZF816212478	PLATE, SAFETY BEFORE OPERATING MACHINE	1	F10001 -
34	PZF816212479	PLATE, SAFETY INSPECTION AND MAINTENANCE	1	F10001 -

CLICK HERE TO **DOWNLOAD** THE COMPLETE MANUAL

- Thank you very much for reading the preview of the manual.
- You can download the complete manual from: [www.heydownloads.com](http://www.heydownloads.com) by clicking the link below



- Please note: If there is no response to CLICKING the link, please download this PDF first and then click on it.

CLICK HERE TO **DOWNLOAD** THE COMPLETE MANUAL