

D275AX-5 S/N 20001-UP
D275AX-5 S/N 20001-UP

Item	Part Name
	SDA6D140E-3H-9 S/N 110003-UP
B0	ENGINE RELATED PARTS
C0	COOLING SYSTEM
D0	FUEL TANK AND RELATED PARTS
E0	ELECTRICAL SYSTEM
F0	POWER TRAIN AND FINAL DRIVE
H0	HYDRAULIC SYSTEM
J0	MAIN FRAME AND RELATED PARTS
K0	OPERATOR'S COMPARTMENT AND CONTROL SYSTEM
M0	GUARD
R0	UNDER CARRIAGE
T0	WORK EQUIPMENT
U0	MARKS AND PLATES
V0	ACCESSORY
W0	MISCELLANEOUS
Y0	SERVICE KIT AND COMPONENT PARTS

CLICK HERE TO **DOWNLOAD** THE COMPLETE MANUAL

- Thank you very much for reading the preview of the manual.
- You can download the complete manual from: www.heydownloads.com by clicking the link below



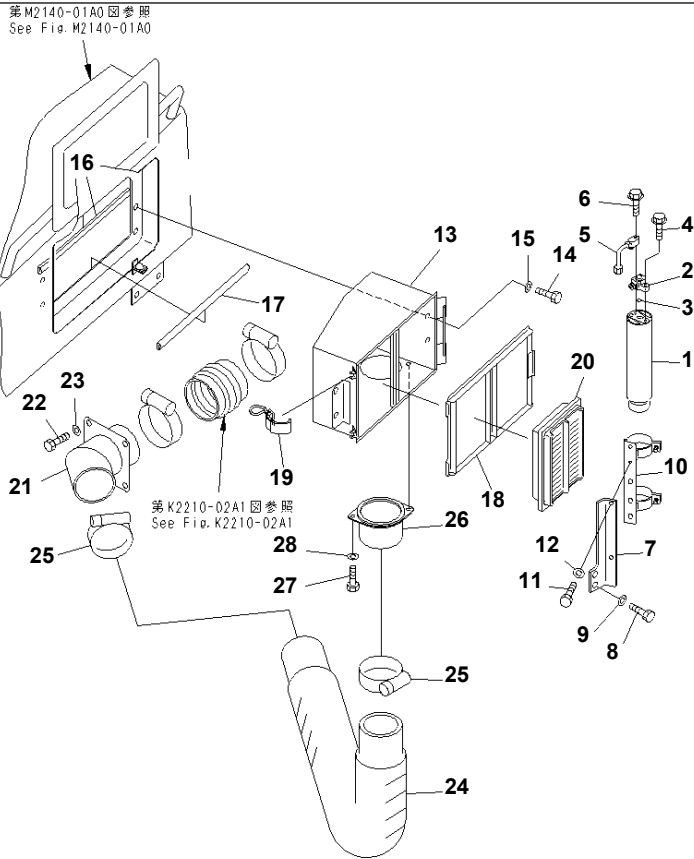
- Please note: If there is no response to CLICKING the link, please download this PDF first and then click on it.

CLICK HERE TO **DOWNLOAD** THE COMPLETE MANUAL

**D275AX-5 S/N 20001-UP
DAMPER**

Item	Part No.	Part Name	Qty	Serial No.
30	01010-81060	BOLT	2	20001-
31	01643-31032	WASHER	2	20001-
32	07000-73028	O-RING	1	20001-
33	17A-12-15111	GAUGE ASS'Y	1	20001-
34	104-40-32340	ELBOW	1	20001-
35	07102-203A7	HOSE	1	20001-
36	07238-10315	CONNECTOR	1	20001-
37	07030-00252	BREATHER	1	20001-
38	17M-12-41160	BRACKET	1	20001-
38A	07283-32738	CLIP	1	20001-
39	07283-52737	SEAT	1	20001-
40	01597-01009	NUT	2	20001-
41	01010-81225	BOLT	2	20001-
42	01643-31232	WASHER	2	20001-
43	04434-51812	CLIP	1	20010-
	04434-51312	CLIP	1	20001-20009
44	01010-81225	BOLT	1	20001-
45	01643-31232	WASHER	1	20001-

D275AX-5 S/N 20001-UP
00031937



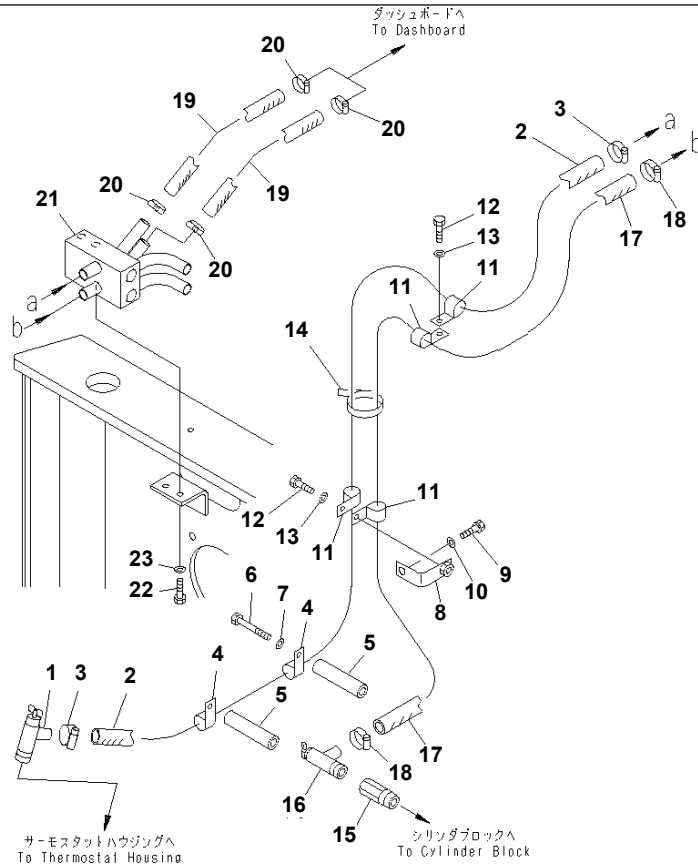
00031937

Ref. B0710-03A0

Page 030140

D275AX-5 S/N 20001-UP
RECEIVER AND FILTER (AIR CONDITIONER)

Item	Part No.	Part Name	Qty	Serial No.
1	20Y-979-3120	TANK	1	20001-
2	21N-979-3420	JOINT	1	20001-
3	20Y-979-3150	O-RING	1	20001-
4	01435-00625	BOLT	1	20001-
5	17A-911-1511	TUBE	1	20001-
6	01435-00625	BOLT	1	20001-
7	17M-911-5321	BRACKET	1	20001-
8	01010-81225	BOLT	2	20001-
9	01643-31232	WASHER	2	20001-
10	120-X11-1510	HOLDER	1	20001-
11	01010-80820	BOLT	2	20001-
12	01643-30823	WASHER	2	20001-
13	17M-911-5111	CASE	1	20001-
14	01010-81225	BOLT	4	20001-
15	01643-31232	WASHER	4	20001-
16	17M-911-5160	SEAL	1	20001-
17	17M-911-5170	SEAL	1	20001-
18	195-911-8340	BRACKET	1	20001-
19	195-Z11-5880	CLAMP	2	20001-
20	14X-911-7750	FILTER	2	20001-
21	17M-911-5131	DUCT	1	20001-
22	01010-81225	BOLT	4	20001-
23	01643-31232	WASHER	4	20001-
24	17M-911-5140	HOSE	1	20001-
25	07281-01159	CLAMP	2	20001-
26	17M-911-5121	DUCT	1	20001-
27	01010-80825	BOLT	2	20001-
28	01643-30823	WASHER	2	20001-



00020309

Ref. B0720-01A1

Page 030240

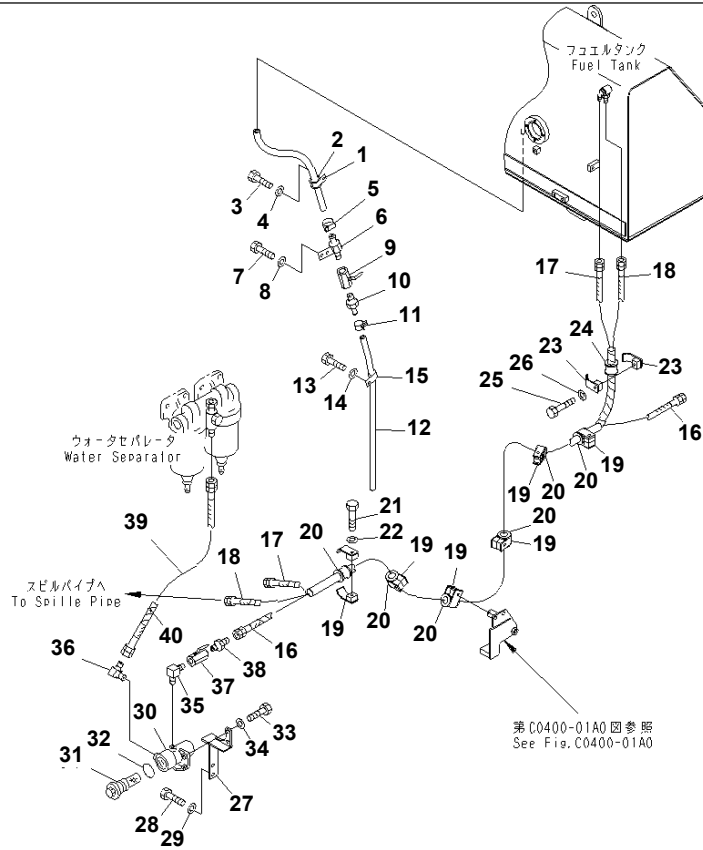
D275AX-5 S/N 20001-UP
HEATER PIPING (COLD WEATHER (B) SPEC.)

Item	Part No.	Part Name	Qty	Serial No.
1	09482-10000	VALVE	1	20001-
2	09483-50520	HOSE	1	20001-
3	09479-02400	CLAMP	2	20001-
4	04434-52511	CLIP	2	20001-
5	195-01-16420	COLLAR	2	20001-
6	01011-81010	BOLT	2	20001-
7	01643-31032	WASHER	2	20001-
8	175-804-3260	PLATE	1	20001-
9	01010-81035	BOLT	1	20001-
10	01643-31032	WASHER	1	20001-
11	04435-52511	CLIP	4	20001-
12	01010-81025	BOLT	2	20001-
13	01643-31032	WASHER	2	20001-
14	08034-20536	BAND	1	20001-
15	281-81-12930	JOINT	1	20001-
16	09482-10000	VALVE	1	20001-
17	09483-50510	HOSE	1	20001-
18	09479-02400	CLAMP	2	20001-
19	09483-50502	HOSE	2	20001-
20	09479-02400	CLAMP	4	20001-
21	17M-911-4811	BLOCK	1	20001-
22	01010-81225	BOLT	2	20001-
23	01643-31232	WASHER	2	20001-

D275AX-5 S/N 20001-UP
HYDRAULIC OIL COOLER PIPING (FOR LANDFILL SPEC.)

Item	Part No.	Part Name	Qty	Serial No.
30	01643-51032	WASHER	8	20001-

D275AX-5 S/N 2001-UP
00024876



00024876

Ref. D0200-01A0

Page 090050

D275AX-5 S/N 2001-UP
FUEL PIPING (WITH WATER SEPARATOR)

Item	Part No.	Part Name	Qty	Serial No.
1	04434-53212	CLIP	1	20001-
2	07095-20523	CUSHION	1	20001-
3	01010-81220	BOLT	1	20001-
4	01643-31232	WASHER	1	20001-
5	07281-00259	CLAMP	1	20001-
6	198-04-31161	JOINT	1	20001-
7	01010-81225	BOLT	2	20001-
8	01643-31232	WASHER	2	20001-
9	07700-40460	VALVE	1	20001-
10	154-04-12480	NIPPLE	1	20001-
11	07285-00130	CLIP	1	20001-
12	07270-01260	TUBE	1	20001-
13	01010-81220	BOLT	1	20001-
14	01643-31232	WASHER	1	20001-
15	04434-51512	CLIP	1	20001-
16	07621-00442	HOSE	1	20001-
17	07621-00350	HOSE	1	20001-
18	07621-00249	HOSE	1	20001-
19	198-61-44210	CLAMP	12	20001-
20	198-04-41210	CUSHION	6	20001-
21	01010-81275	BOLT	6	20001-
22	01643-31232	WASHER	6	20001-
23	07094-10620	CLAMP	2	20001-
24	07095-00630	CUSHION	1	20001-
25	01010-81270	BOLT	1	20001-
26	01643-31232	WASHER	1	20001-
27	17M-04-41161	BRACKET	1	20001-
28	01010-81225	BOLT	2	20001-
29	01643-31232	WASHER	2	20001-

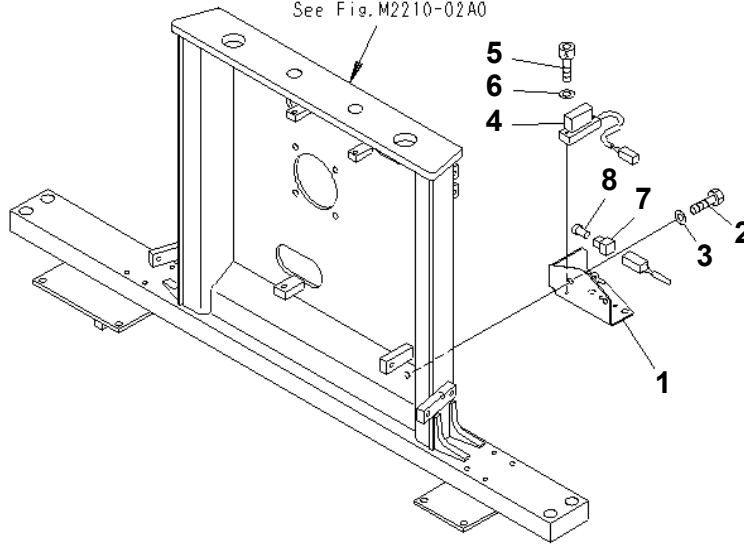
Reference:D0200-01A0

Page:090050

D275AX-5 S/N 20001-UP

@@1D203@

第 M2210-02A0 図参照
See Fig. M2210-02A0



PJ1D203

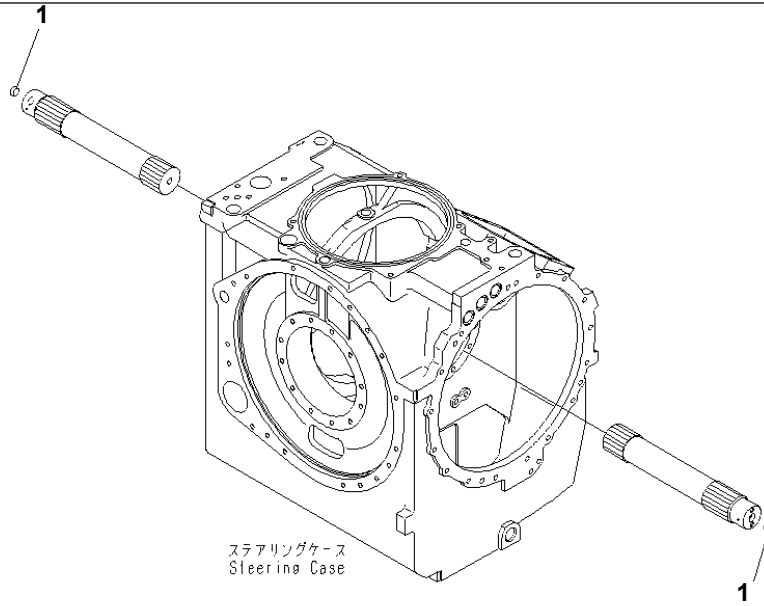
Ref. E0200-01A1

Page 120040

D275AX-5 S/N 20001-UP
SENSOR AND BRACKET (WITHOUT SHOE SLIP CONTROL)

Item	Part No.	Part Name	Qty	Serial No.
1	195-06-71190	BRACKET	1	20001-
2	01010-81230	BOLT	2	20001-
3	01643-31232	WASHER	2	20001-
4	7861-93-5380	SENSOR,ANGLE	1	20001-
5	01252-60635	BOLT	2	20001-
6	01643-30623	WASHER	2	20001-
7	08192-14100	CONNECTOR	1	20001-
8	08191-00770	PLUG	4	20001-

D275AX-5 S/N 20001-UP
00071320



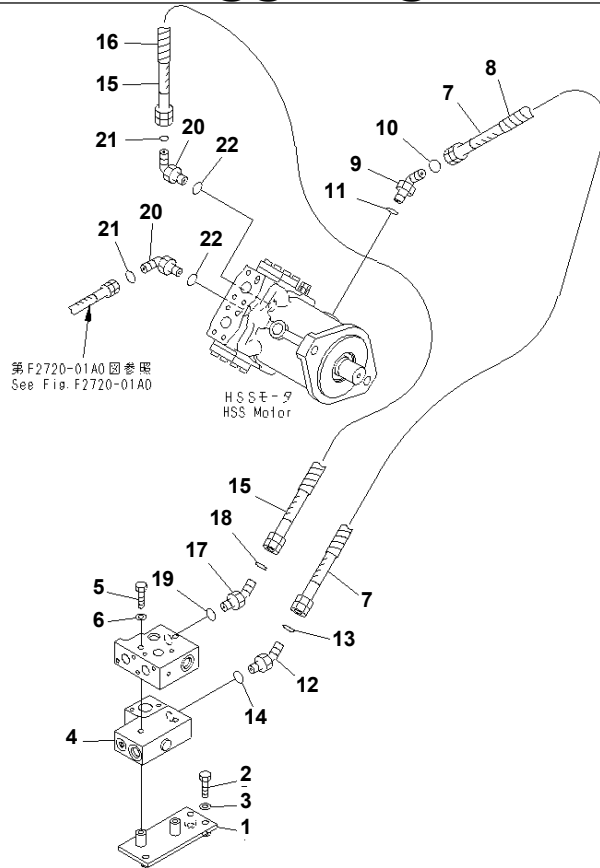
Ref. F2300-01A2

00071320

Page 150030

D275AX-5 S/N 20001-UP
POWER TRAIN (BUTTON) (WITH HEATER)

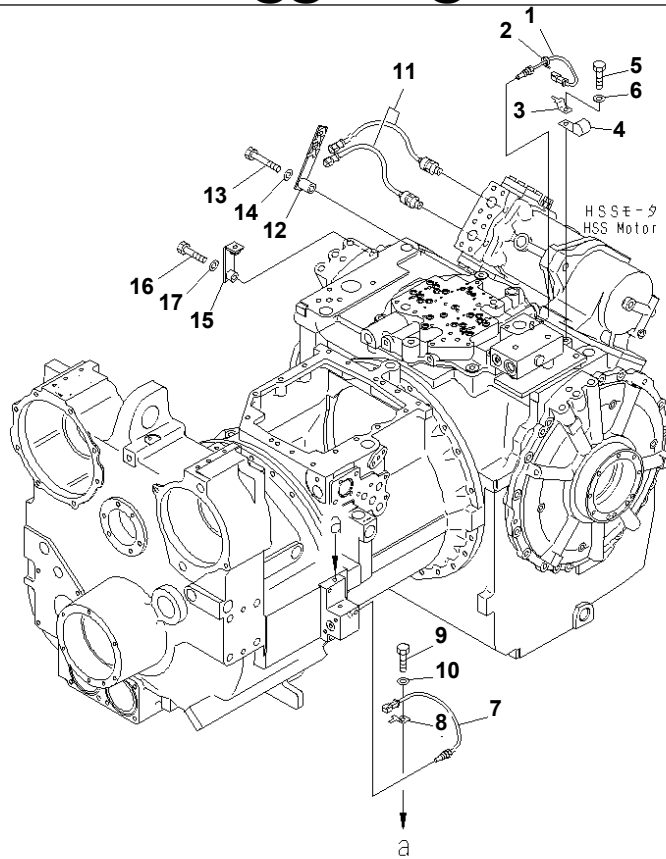
Item	Part No.	Part Name	Qty	Serial No.
	(17M-22-40021)	POWER LINE ASS'Y	1	20001-
1	195-22-12580	BUTTON	2	20001-



P W O E 9 3 0

D275AX-5 S/N 20001-UP
POWER TRAIN (6/12)?HYDRAULIC PIPNG (2/2)

Item	Part No.	Part Name	Qty	Serial No.
	(17M-22-40001)	POWER TRAIN ASS'Y	1	20160-
	(17M-22-40000)	POWER TRAIN ASS'Y	1	20001-20159
		THIS ASSEMBLY CONSISTS OF ALL PARTS SHOWN IN FIGS.F2300-51A0 TO F2300-62A0.		
	(17M-22-40021)	POWER LINE ASS'Y,(WITH HEATER)	1	20160-
	(17M-22-40020)	POWER LINE ASS'Y,(WITH HEATER)	1	20001-20159
		THIS ASSEMBLY CONSISTS OF ALL PARTS SHOWN IN FIGS.F2300-51A1 TO F2300-63A1.		
1	17M-49-42190	· BRACKET	1	20001-
2	01010-81255	· BOLT	2	20001-
3	01643-31232	· WASHER	2	20001-
4	17M-49-42180	· BLOCK	1	20001-
5	01011-81240	· BOLT	2	20001-
6	01643-31232	· WASHER	2	20001-
7	17M-49-42171	· HOSE	1	20001-
8	08210-01805	· · SPIRAL TUBE	1	20001-
9	02782-10628	· ELBOW	1	20001-
10	02896-11018	· O-RING	1	20001-
11	07002-12434	· O-RING	1	20001-
12	02783-10628	· ELBOW	1	20001-
13	02896-11018	· O-RING	1	20001-
14	07002-12434	· O-RING	1	20001-
15	17M-49-42151	· HOSE	1	20001-
16	08210-01808	· · SPIRAL TUBE	1	20001-
17	02783-10628	· ELBOW	1	20001-
18	02896-11018	· O-RING	1	20001-
19	07002-12434	· O-RING	1	20001-
20	02782-10628	· ELBOW	2	20001-
21	02896-11018	· O-RING	2	20001-



P W O F 2 3 7

Ref. F2300-62A0

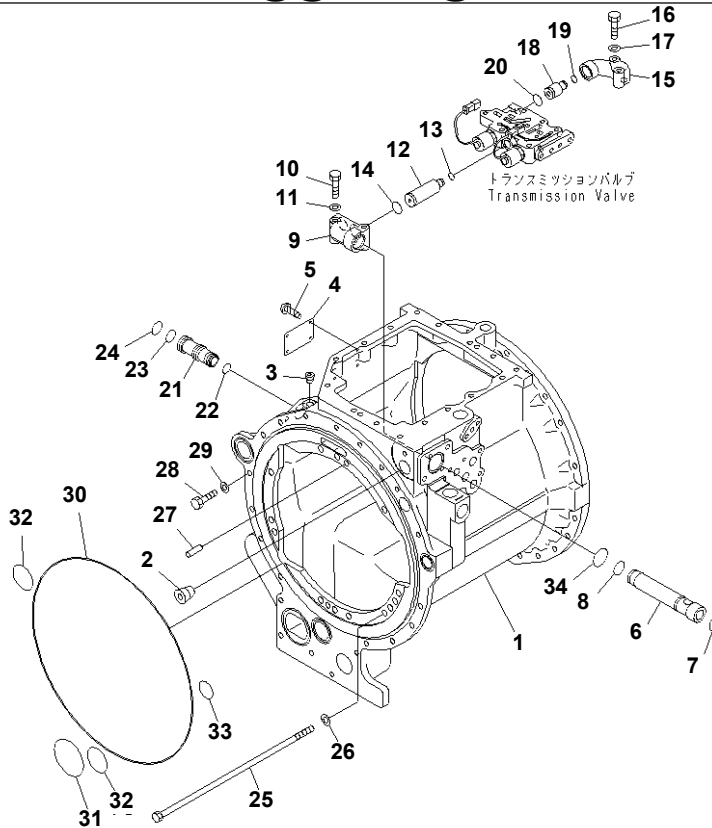
Page 150160

D275AX-5 S/N 20001-UP
POWER TRAIN (12/12)?ELECTRICAL

Item	Part No.	Part Name	Qty	Serial No.
	(17M-22-40001)	POWER TRAIN ASS'Y	1	20160-
	(17M-22-40000)	POWER TRAIN ASS'Y	1	20001-20159
		THIS ASSEMBLY CONSISTS OF ALL PARTS SHOWN IN FIGS.F2300-51A0 TO F2300-62A0.		
	(17M-22-40021)	POWER LINE ASS'Y,(WITH HEATER)	1	20160-
	(17M-22-40020)	POWER LINE ASS'Y,(WITH HEATER)	1	20001-20159
		THIS ASSEMBLY CONSISTS OF ALL PARTS SHOWN IN FIGS.F2300-51A1 TO F2300-63A1.		
1	7861-93-3320	· SENSOR,HYDRAULIC OIL TEMPERATURE	1	20001-
2	08034-00310	· BAND	1	20001-
3	08193-20012	· CLIP	1	20001-
4	04434-51212	· CLIP	1	20001-
5	01010-81225	· BOLT	1	20001-
6	01643-31232	· WASHER	1	20001-
7	7861-93-3320	· SENSOR,T/C OUTLET OIL TEMPERATURE	1	20001-
8	08193-20010	· CLIP	1	20001-
9	01010-81016	· BOLT	1	20001-
10	01643-31032	· WASHER	1	20001-
11	7861-93-1610	· SENSOR,HSS OIL PRESSURE	2	20001-
12	17A-49-28840	· PLATE	1	20001-
13	01011-81200	· BOLT	1	20001-
14	01643-31232	· WASHER	1	20001-
15	17M-06-41410	· BRACKET	1	20001-
16	01010-81285	· BOLT	1	20001-
17	01643-31232	· WASHER	1	20001-

D275AX-5 S/N 20001-UP
TORQUE CONVERTER VALVE (1/2)

Item	Part No.	Part Name	Qty	Serial No.
24	17M-13-46860	· · COVER	1	20001-



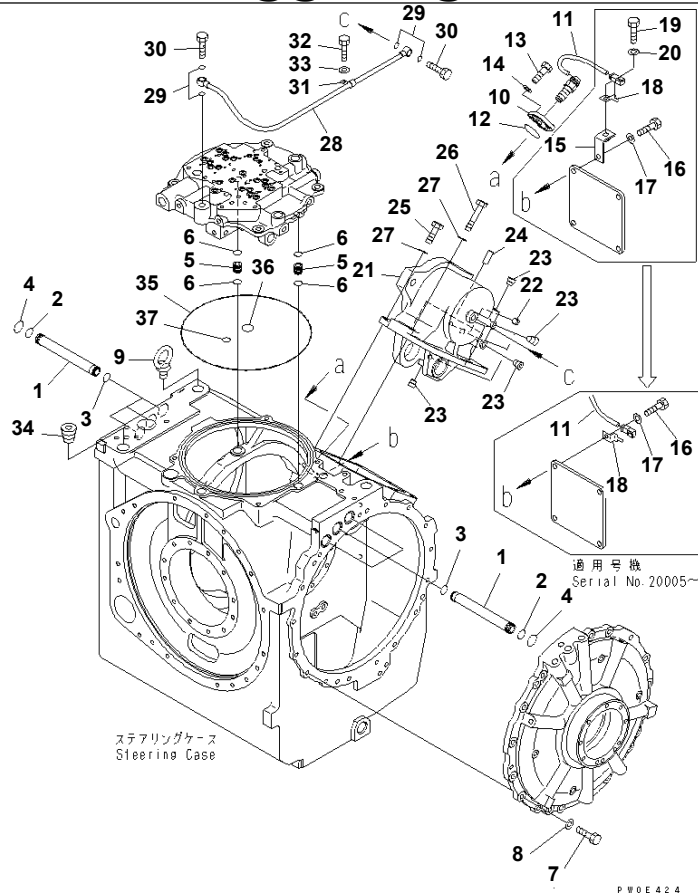
P W O E 4 0 5

D275AX-5 S/N 20001-UP
TRANSMISSION (7/8)?CASE

Item	Part No.	Part Name	Qty	Serial No.
		SERIAL NO. IN () INDICATES TRANSMISSION SERIAL NO.		
	(17M-15-41002)	TRANSMISSION ASS'Y	1	20160-
	(17M-15-41001)	TRANSMISSION ASS'Y	1	20001-20159
		THIS ASSEMBLY CONSISTS OF ALL PARTS SHOWN IN FIGS.F2320-51A0 TO F2320-63A0.		
	17A-15-00310	· CASE ASS'Y	1	(101884)-
	17M-15-00211	· CASE ASS'Y	1	20001-(101883)
1	☆	· · CASE	1	(101884)-
	☆	· · CASE	1	20001-(101883)
2	07043-71019	· · PLUG	5	20001-
3	07043-70312	· · PLUG	1	20001-
4	09608-05080	· PLATE, NAME	1	20001-
5	04418-13060	· SCREW	4	20001-
6	17A-15-25181	· SLEEVE	1	20001-
7	07000-73030	· O-RING (K2)	1	20001-
8	07000-73028	· O-RING (K2)	1	20001-
9	17A-15-25150	· BLOCK	1	20001-
10	01010-81075	· BOLT	2	20001-
11	01643-31032	· WASHER	2	20001-
12	17M-15-45160	· SLEEVE	1	20001-
13	07000-72014	· O-RING (K2)	1	20001-
14	07000-73025	· O-RING (K2)	1	20001-
15	17A-15-25140	· BLOCK	1	20001-
16	01010-81060	· BOLT	2	20001-
17	01643-31032	· WASHER	2	20001-
18	17M-15-45190	· SLEEVE	1	20001-
19	07000-73022	· O-RING (K2)	1	20001-
20	07000-72014	· O-RING (K2)	1	20001-
21	17M-15-44150	· SLEEVE	1	20001-

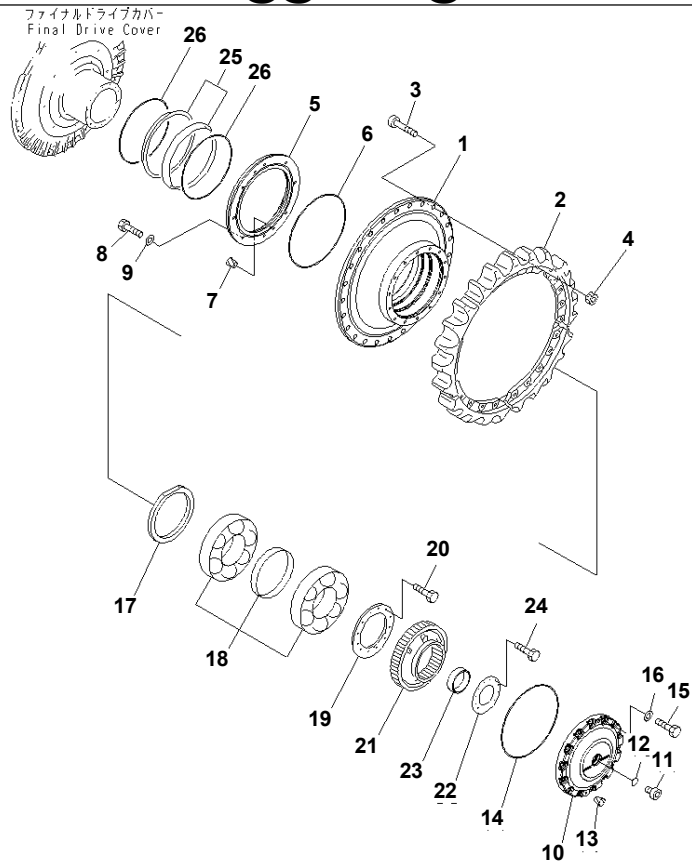
D275AX-5 S/N 20001-UP
TRANSMISSION MAIN RELIEF VALVE

Item	Part No.	Part Name	Qty	Serial No.
25	07000-73030	· O-RING (K4)	5	20001-



D275AX-5 S/N 20001-UP
STEERING (6/9)?TORQUE CASE (2/2)

Item	Part No.	Part Name	Qty	Serial No.
	(17M-22-41001)	STEERING ASS'Y THIS ASSEMBLY CONSISTS OF ALL PARTS SHOWN IN FIGS.F2370-51A0 TO F2370-59A0.	1	20001-
1	17M-22-47290	・ TUBE	6	20001-
2	07000-73022	・ O-RING	6	20001-
3	07000-72022	・ O-RING	6	20001-
4	07000-73038	・ O-RING	6	20005-
	07000-73032	・ O-RING	6	20001-20004
5	14X-22-16170	・ SLEEVE	2	20001-
6	07000-72018	・ O-RING	4	20001-
7	01010-81260	・ BOLT	30	20001-
8	01643-31232	・ WASHER	30	20001-
9	04530-13045	・ BOLT	2	20001-
10	17M-22-47460	・ FLANGE	1	20001-
11	7861-93-2330	・ SENSOR	1	20001-
12	07000-73050	・ O-RING	1	20001-
13	01010-80825	・ BOLT	2	20001-
14	01643-30823	・ WASHER	2	20001-
15	207-979-6180	・ BRACKET	1	20001-20004
16	01010-81230	・ BOLT	1	20005-
	01010-81235	・ BOLT	1	20001-20004
17	01643-31232	・ WASHER	1	20001-
18	08193-20012	・ CLIP	1	20001-
19	01010-81220	・ BOLT	1	20001-20004
20	01643-31232	・ WASHER	1	20001-20004
21	17M-22-47380	・ HOUSING	1	20001-
22	711-21-13850	・ NOZZLE	1	20001-
23	07043-70211	・ PLUG	6	20001-
24	04020-01228	・ PIN,DOWEL	2	20001-

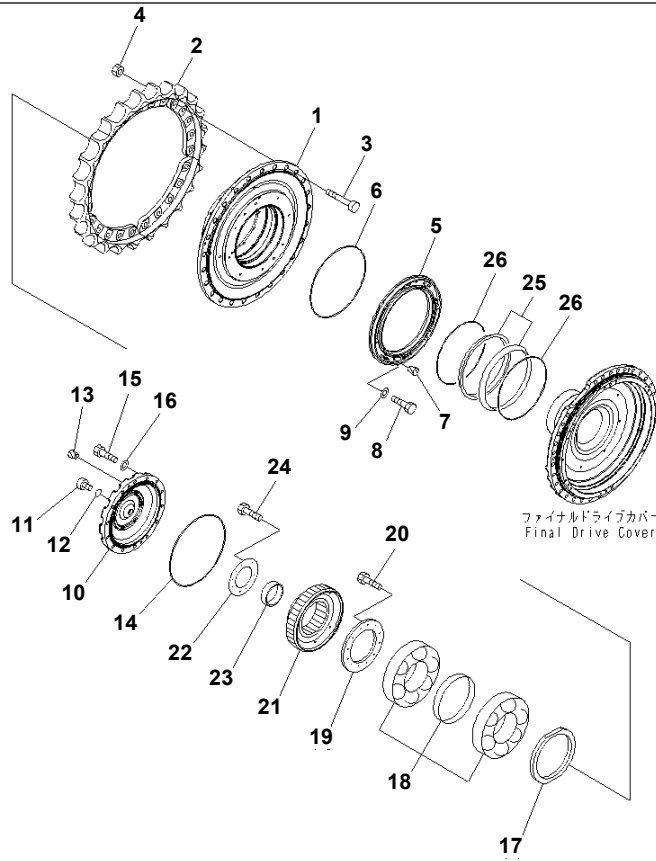


P W I D 1 2 9

D275AX-5 S/N 20001-UP
FINAL DRIVE (1/6) (L.H.) (FOR LANDFILL SPEC.)

Item	Part No.	Part Name	Qty	Serial No.
	17M-27-00311	FINAL DRIVE ASS'Y	1	20169-
	□17M-27-00310	FINAL DRIVE ASS'Y	1	20001-20168
		THESE ASSEMBLIES CONSIST OF ALL PARTS SHOWN IN FIGS.F2380-01A1 TO F2380-03A1.		
1	17M-27-41460	• HUB	1	20001-
2	17M-27-41630	• TOOTH	5	20001-
3	09203-12485	• BOLT	25	20001-
4	01803-02430	• NUT	25	20001-
5	17M-27-41490	• COVER	1	20001-
6	07000-15440	• O-RING	1	20001-
7	07049-01215	• PLUG	2	20001-
8	01010-81230	• BOLT	1	20001-
9	01643-31232	• WASHER	1	20001-
10	17M-27-41470	• COVER	1	20001-
11	07044-13620	• PLUG	1	20001-
12	07002-13634	• O-RING	1	20001-
13	07049-01620	• PLUG	2	20001-
14	07000-15410	• O-RING	1	20001-
15	01010-81650	• BOLT	14	20001-
16	01643-31645	• WASHER	14	20001-
17	17M-27-21381	• COLLAR	1	20001-
18	17M-09-21130	• BEARING	1	20001-
19	17M-27-21390	• HOLDER	1	20001-
20	01010-81645	• BOLT	14	20001-
21	17M-27-21582	• HUB	1	20001-
22	17M-27-21410	• PLATE	1	20001-
23	17M-27-21650	• SPACER	1	20001-
24	01010-81230	• BOLT	12	20001-
	17M-27-00102	• FLOATING SEAL ASS'Y	1	20001-

D275AX-5 S/N 20001-UP
00042180



00042180

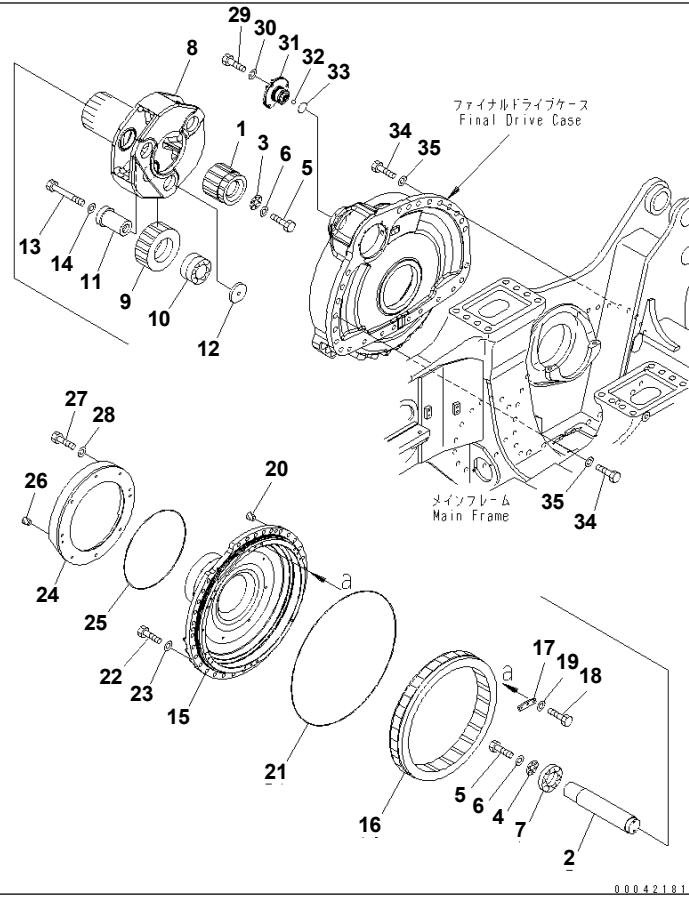
Ref. F2380-04A0

Page 150560

D275AX-5 S/N 20001-UP
FINAL DRIVE (4/6) (R.H.)

Item	Part No.	Part Name	Qty	Serial No.
	(17M-27-00263)	FINAL DRIVE ASS'Y,R.H.	1	20260-
	(□17M-27-00262)	FINAL DRIVE ASS'Y,R.H.	1	20001-20259
		THESE ASSEMBLIES CONSIST OF ALL PARTS SHOWN IN FIGS.F2380-04A0 TO F2380-06A0.		
1	17M-27-41460	• HUB	1	20001-
2	17M-27-41630	• TOOTH	5	20001-
3	09203-12485	• BOLT	25	20001-
4	01803-02430	• NUT	25	20001-
5	17M-27-41490	• COVER	1	20001-
6	07000-A5440	• O-RING	1	20260-
	□07000-15440	• O-RING	1	20001-20259
7	07049-01215	• PLUG	2	20001-
8	01010-81230	• BOLT	8	20001-
9	01643-31232	• WASHER	8	20001-
10	17M-27-41470	• COVER	1	20001-
11	07044-13620	• PLUG	1	20001-
12	07002-13634	• O-RING	1	20001-
13	07049-01620	• PLUG	2	20001-
14	07000-A5410	• O-RING	1	20260-
	□07000-15410	• O-RING	1	20001-20259
15	01010-81650	• BOLT	14	20001-
16	01643-31645	• WASHER	14	20001-
17	17M-27-21381	• COLLAR	1	20001-
18	17M-09-21130	• BEARING	1	20001-
19	17M-27-21390	• HOLDER	1	20001-
20	01010-81645	• BOLT	14	20001-
21	17M-27-21582	• HUB	1	20001-
22	17M-27-21410	• PLATE	1	20001-
23	17M-27-21650	• SPACER	1	20001-

D275AX-5 S/N 2001-UP
00042181



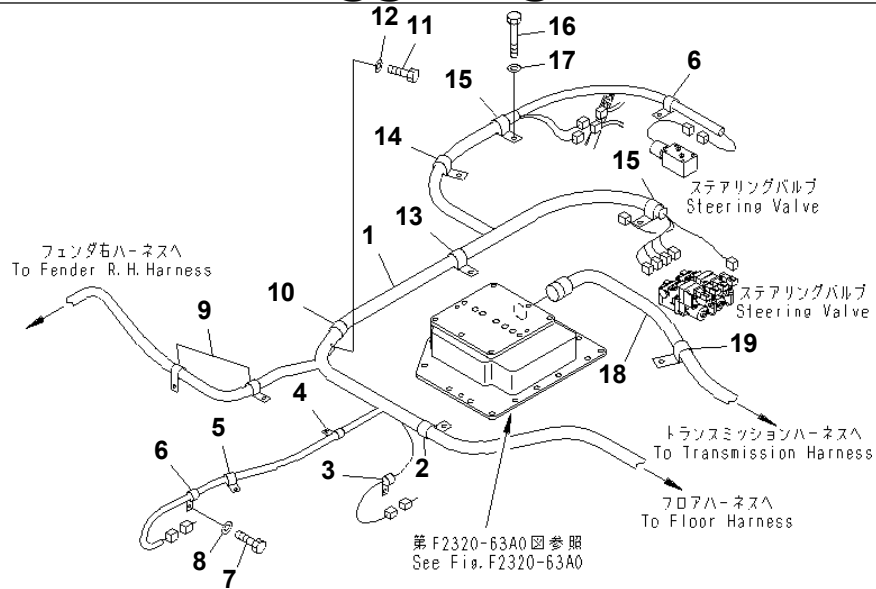
00042181

Ref. F2380-06A1

Page 150610

D275AX-5 S/N 2001-UP
FINAL DRIVE (6/6) (R.H.) (LANDFILL SPEC.)

Item	Part No.	Part Name	Qty	Serial No.
	(17M-27-00321)	FINAL DRIVE ASS'Y	1	20169-
	(□17M-27-00320)	FINAL DRIVE ASS'Y	1	20001-20168
		THESE ASSEMBLIES CONSIST OF ALL PARTS SHOWN IN FIGS.F2380-04A1 TO F2380-06A1.		
1	17M-27-41230	• GEAR	1	20001-
2	17M-27-41360	• SHAFT	1	20001-
3	17M-27-21660	• PLATE	1	20001-
4	41H-70-11630	• PLATE	1	20001-
5	01010-81230	• BOLT	8	20001-
6	01643-31232	• WASHER	8	20001-
7	06343-00216	• BEARING	1	20001-
8	17M-27-41340	• CARRIER	1	20001-
9	17M-27-21711	• GEAR	3	20001-
10	17M-09-21140	• BEARING	3	20001-
11	17M-27-21330	• SHAFT	3	20001-
12	17M-27-11260	• HOLDER	3	20001-
13	01011-82070	• BOLT	3	20001-
14	01643-32060	• WASHER	3	20001-
15	17M-27-41450	• COVER	1	20001-
16	17M-27-21361	• GEAR	1	20001-
17	17M-27-21780	• PLATE	6	20001-
18	01010-81230	• BOLT	18	20001-
19	01643-31232	• WASHER	18	20001-
20	07049-02025	• PLUG	3	20001-
21	17M-09-11290	• O-RING	1	20001-
22	01010-82060	• BOLT	33	20001-
23	01643-32060	• WASHER	33	20001-
24	17M-27-41580	• COVER	1	20001-
25	07000-15460	• O-RING	1	20001-



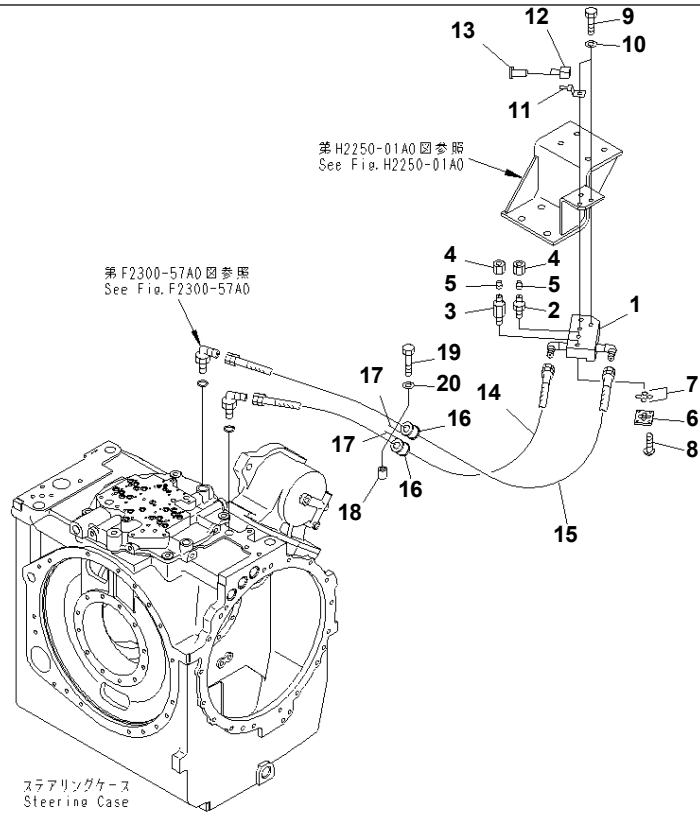
D275AX-5 S/N 20001-UP
WIRING (POWER LINE) (H.S.S.) (FOR HEAVY DUTY WIRING)

Item	Part No.	Part Name	Qty	Serial No.
1	17M-06-42190	WIRING HARNESS	1	20001-
2	04434-53412	CLIP	1	20001-
3	04434-51012	CLIP	1	20001-
4	04434-51410	CLIP	1	20001-
5	04434-51010	CLIP	1	20001-
6	04434-51012	CLIP	2	20001-
7	01010-81225	BOLT	2	20001-
8	01643-31232	WASHER	2	20001-
9	04434-51712	CLIP	2	20001-
10	04434-52312	CLIP	1	20001-
11	01010-81225	BOLT	1	20001-
12	01643-31232	WASHER	1	20001-
13	04434-52312	CLIP	1	20001-
14	04434-51912	CLIP	1	20001-
15	04434-51912	CLIP	1	20001-
16	01010-81225	BOLT	1	20001-
17	01643-31232	WASHER	1	20001-
18	17M-06-42210	WIRING HARNESS	1	20001-
19	04434-52312	CLIP	1	20001-

D275AX-5 S/N 20001-UP
BLADE TILT LINE (FOR TILT DOZER)

Item	Part No.	Part Name	Qty	Serial No.
30	07002-12034	O-RING	2	20001-
31	02789-00422	PLUG	2	20001-
32	01010-61685	BOLT	5	20001-
33	01011-61610	BOLT	1	20001-
34	01643-31645	WASHER	6	20001-
35	17M-30-51291	COVER,R.H.	1	20001-
36	01010-61630	BOLT	4	20001-
37	01643-31645	WASHER	4	20001-
38	17M-30-51270	COVER	1	20001-
39	01010-61630	BOLT	4	20001-
40	01643-31645	WASHER	4	20001-

D275AX-5 S/N 20001-UP
00019799



00019799

Ref. H2252-01A3

Page 180120

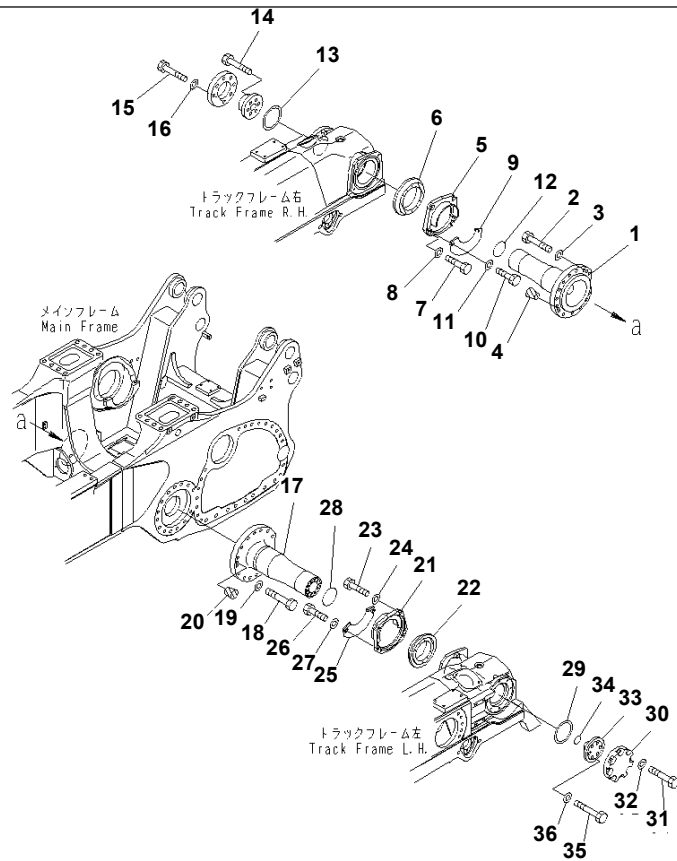
D275AX-5 S/N 20001-UP
PIN PULLER VALVE AND BLOCK (WITH MULTI RIPPER) (FOR HEAVY DUTY WIRING)

Item	Part No.	Part Name	Qty	Serial No.
1	195-78-72330	BLOCK	1	20001-
2	07238-10315	CONNECTOR	1	20001-
3	21T-62-77410	CONNECTOR	1	20001-
4	07221-20315	NUT	2	20001-
5	07222-00312	PLUG	2	20001-
6	195-79-12410	PLATE	1	20001-
7	07000-11009	O-RING	4	20001-
8	01220-40516	SCREW	4	20001-
9	01010-81025	BOLT	3	20001-
10	01643-31032	WASHER	3	20001-
11	08193-20010	CLIP	1	20001-
12	08192-12100	CONNECTOR	1	20001-
13	08191-00770	PLUG	2	20001-
14	07184-003A5	HOSE	1	20067-
	07184-00305	HOSE	1	20001-20066
15	07184-003A6	HOSE	1	20001-
16	07095-20314	CUSHION	2	20001-
17	04434-52112	CLIP	2	20001-
18	11T-27-11180	SPACER	1	20001-
19	01010-81265	BOLT	1	20001-
20	01643-31232	WASHER	1	20001-

D275AX-5 S/N 20001-UP
MAIN FRAME AND RELATED PARTS

Item	Part Name	Qty
10	MAIN FRAME	1
20	MAIN FRAME (FOR LANDFILL SPEC.)	1
30	POWER LINE GAUGE PIPING	1
40	POWER LINE GAUGE PIPING (FOR LANDFILL SPEC.)	1
50	SUSPENSION	1
60	PIVOT SHAFT	1
70	PIVOT SHAFT (FOR DUAL TILT PITCH DOZER)	1
80	PIVOT SHAFT (FOR LANDFILL SPEC.)	1
90	PIVOT SHAFT (FOR DUAL TILT PITCH DOZER) (FOR LANDFILL SPEC.)	1

D275AX-5 S/N 20001-UP
00009206



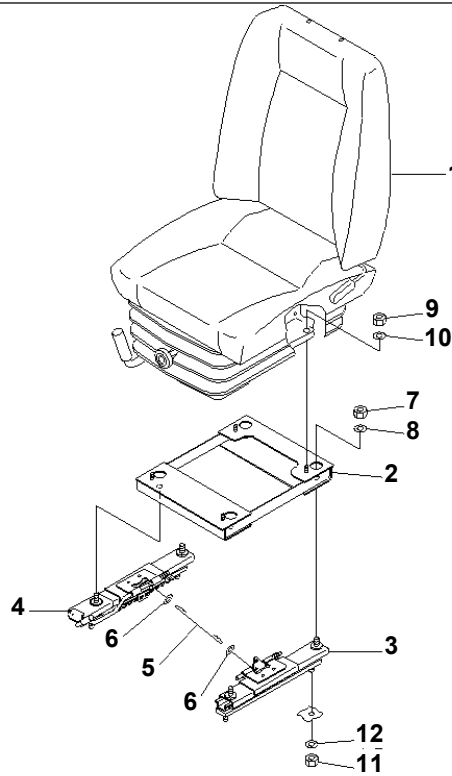
Ref. J2700-02A2

Page 210080

D275AX-5 S/N 20001-UP
PIVOT SHAFT (FOR LANDFILL SPEC.)

Item	Part No.	Part Name	Qty	Serial No.
1	17M-50-22120	SHAFT	1	20001-
2	17M-50-22260	BOLT	14	20001-
3	01643-32780	WASHER	14	20001-
4	07049-02734	PLUG	2	20001-
5	17M-50-41310	COVER	1	20001-
6	17M-50-22190	SEAL	1	20001-
7	01010-61645	BOLT	4	20001-
8	01643-31645	WASHER	4	20001-
9	17M-50-41320	COVER	1	20001-
10	01010-61645	BOLT	2	20001-
11	01643-31645	WASHER	2	20001-
12	07000-12135	O-RING	1	20001-
13	17M-50-22230	SPACER	1	20001-
14	01010-61685	BOLT	6	20001-
15	01010-61670	BOLT	2	20001-
16	01643-31645	WASHER	2	20001-
17	17M-50-22120	SHAFT	1	20001-
18	17M-50-22260	BOLT	14	20001-
19	01643-32780	WASHER	14	20001-
20	07049-02734	PLUG	2	20001-
21	17M-50-41310	COVER	1	20001-
22	17M-50-22190	SEAL	1	20001-
23	01010-61645	BOLT	4	20001-
24	01643-31645	WASHER	4	20001-
25	17M-50-41320	COVER	1	20001-
26	01010-61645	BOLT	2	20001-
27	01643-31645	WASHER	2	20001-
28	07000-12135	O-RING	1	20001-
29	17M-50-22230	SPACER	1	20001-

**D275AX-5 S/N 20001-UP
00046263**



00046263

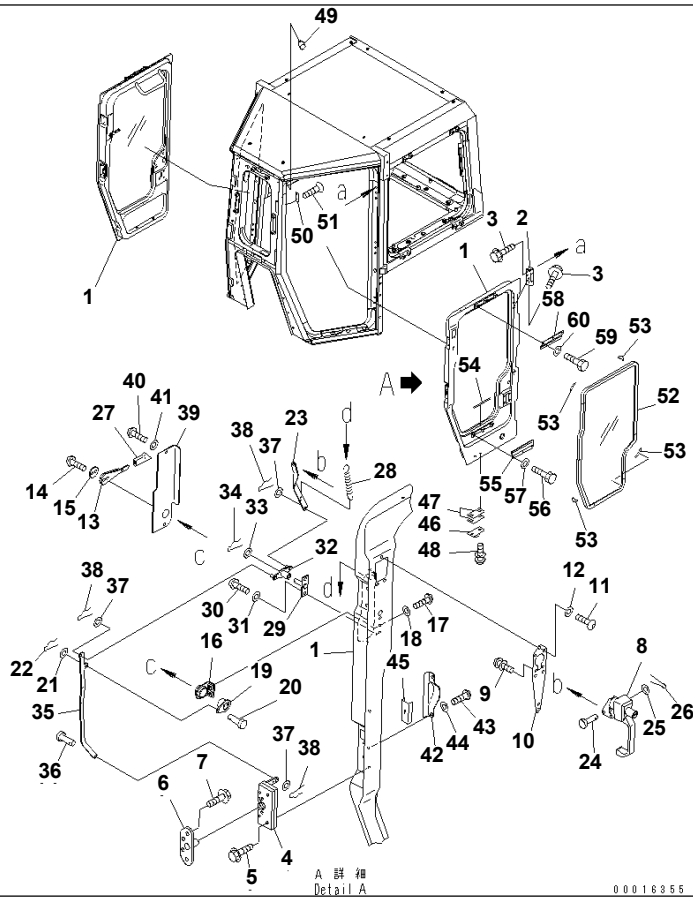
Ref. K0110-01A4

Page 240050

**D275AX-5 S/N 20001-UP
OPERATOR'S SEAT (FABRIC HIGHT BACK SEAT)**

Item	Part No.	Part Name	Qty	Serial No.
	195-57-46300	SEAT ASS'Y	1	20001-
1	(195-57-46311)	· SEAT ASS'Y	1	20001-
	195-57-46130	· ADJUSTER ASS'Y	1	20001-
2	17A-57-23220	· · BRACKET	1	20001-
3	195-57-42310	· · ADJUSTER,L.H.	1	20001-
4	195-57-42320	· · ADJUSTER,R.H.	1	20001-
5	17A-57-23270	· · WIRE	1	20001-
6	01640-20816	· · WASHER	2	20001-
7	01582-11210	· · NUT	4	20001-
8	01643-51232	· · WASHER	4	20001-
9	01580-00806	· NUT	4	20001-
10	01643-50823	· WASHER	4	20001-
11	01582-11210	NUT	4	20001-
12	01643-31232	WASHER	4	20001-

D275AX-5 S/N 20001-UP
00016355

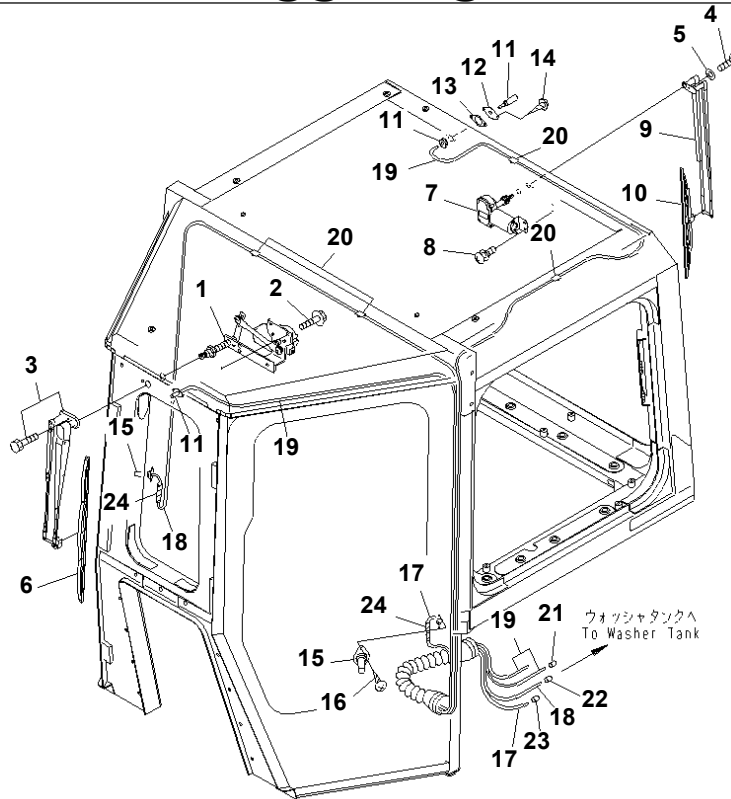


Ref. K0210-02A5

Page 240140

D275AX-5 S/N 20001-UP
CAB (DOOR AND LOCK) (1/2) (HIGH STRENGTH 40PSI GLASS)

Item	Part No.	Part Name	Qty	Serial No.
1	198-Z11-4472	DOOR,(L.H.)	1	20001-
	198-Z11-4482	DOOR,(R.H.)	1	20001-
2	14X-911-1330	HINGE	6	20001-
3	01435-41025	BOLT	36	20001-
4	195-Z11-4520	LOCK	1	20001-
	195-Z11-4510	LOCK	1	20001-
5	01435-40630	BOLT	8	20001-
6	198-Z11-3450	STRIKER	2	20001-
7	01435-40820	BOLT	8	20001-
8	198-Z11-3710	HANDLE ASS'Y	2	20001-
9	01023-10520	SCREW	10	20001-
10	198-Z11-3210	PLATE	2	20001-
11	01245-00616	SCREW	8	20001-
12	01643-70623	WASHER	8	20001-
13	198-Z11-3221	PLATE	2	20001-
14	01245-00616	SCREW	4	20001-
15	198-Z11-3650	PLATE	2	20001-
16	198-Z11-3380	PLATE	2	20001-
17	01245-00616	SCREW	4	20001-
18	01643-70623	WASHER	4	20001-
19	198-Z11-3391	LEVER	2	20001-
20	04205-10614	PIN	2	20001-
21	01641-20608	WASHER	2	20001-
22	04052-10633	PIN	2	20001-
23	198-Z11-3241	PLATE,(L.H.)	1	20001-
	198-Z11-3251	PLATE,(R.H.)	1	20001-
24	04205-10614	PIN	2	20001-
25	01641-20608	WASHER	2	20001-
26	04050-11612	PIN	2	20001-



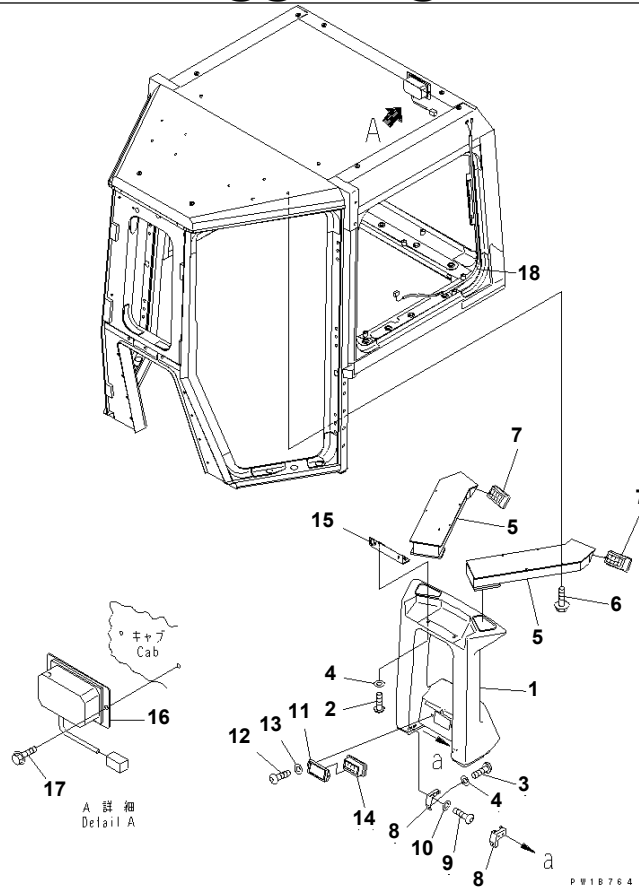
PWL0144

Ref. K0210-07A0

Page 240200

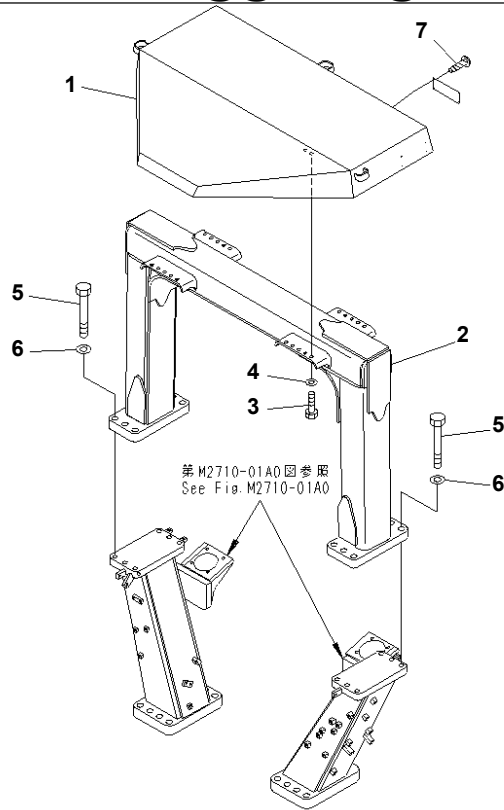
D275AX-5 S/N 20001-UP
CAB (WIPER)

Item	Part No.	Part Name	Qty	Serial No.
1	14X-911-3111	WIPER MOTOR ASS'Y	1	20001-
2	01435-40616	BOLT	4	20001-
3	14X-911-3210	ARM,WIPER	1	20001-
4	01245-00616	SCREW	1	20001-
5	01643-70623	WASHER	1	20001-
6	195-Z11-8550	BLADE,WIPER	1	20001-
7	198-Z11-2540	WIPER MOTOR	1	20001-
8	01023-20516	SCREW	2	20001-
9	421-56-21760	ARM,WIPER	1	20001-
10	421-56-21770	BLADE,WIPER	1	20001-
11	205-06-61220	NOZZLE ASS'Y	2	20001-
12	14X-911-3560	BRACKET	2	20001-
13	14X-911-3570	PACKING	2	20001-
14	01370-00408	SCREW	4	20001-
15	20Y-54-39511	NOZZLE	2	20001-
16	01370-10520	SCREW	4	20001-
17	14X-911-3531	HOSE, 1500MM	1	20001-
18	14X-911-3541	HOSE, 4550MM	1	20001-
19	21T-06-11390	HOSE, 400MM	2	20001-
20	08051-00801	CLIP	10	20001-
21	14X-911-1130	TUBE	1	20001-
22	14X-911-1140	TUBE	1	20001-
23	14X-911-1150	TUBE	1	20001-
24	08210-00401	SPIRAL TUBE	2	20001-



D275AX-5 S/N 20001-UP
CAB (AIR CONDITIONER DUCT)

Item	Part No.	Part Name	Qty	Serial No.
1	198-Z11-3811	DUCT	1	20001-
2	01245-00835	SCREW	2	20001-
3	01245-00820	SCREW	2	20001-
4	01643-70823	WASHER	4	20001-
5	198-Z11-3821	DUCT,L.H.	1	20001-
	198-Z11-3831	DUCT,R.H.	1	20001-
6	01435-40616	BOLT	8	20001-
7	14X-54-18270	GRILLE ASS'Y	2	20001-
8	198-Z11-3850	BRACKET,L.H.	1	20001-
	198-Z11-3860	BRACKET,R.H.	1	20001-
9	01245-00616	SCREW	4	20001-
10	01643-70623	WASHER	4	20001-
11	198-Z11-3890	PLATE	1	20001-
12	01245-00616	SCREW	2	20001-
13	01643-70623	WASHER	2	20001-
14	17A-54-18270	GRILLE ASS'Y	1	20001-
15	198-Z11-3910	PLATE	1	20001-
16	22U-06-22250	CONVERTER	1	20001-
17	01435-40616	BOLT	2	20001-
18	198-Z11-4620	WIRING HARNESS	1	20001-



P#1D220

Ref. K0410-01A0

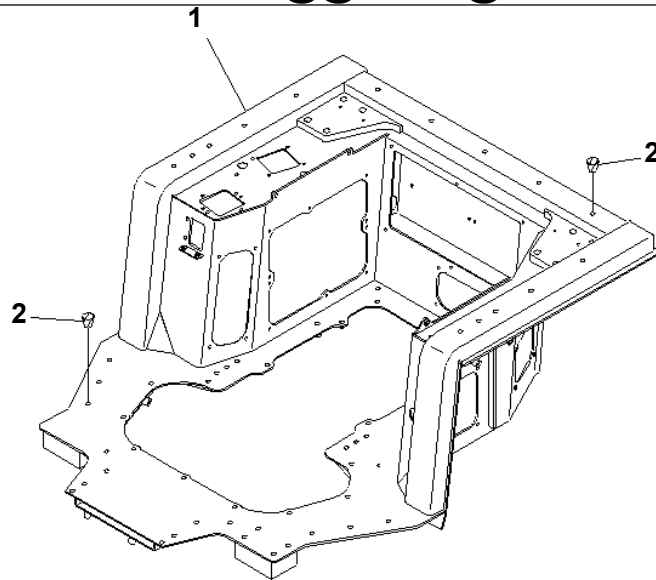
Page 240360

D275AX-5 S/N 20001-UP
ROPS GUARD

Item	Part No.	Part Name	Qty	Serial No.
1	195-978-4722	ROOF	1	20001-
2	17M-978-3240	GUARD	1	20001-
3	01010-61640	BOLT	20	20001-
4	01643-31645	WASHER	20	20001-
5	01010-62795	BOLT	12	20001-
6	01643-32780	WASHER	12	20001-
7	04418-13060	SCREW	4	20001-

D275AX-5 S/N 2001-UP

@@1B729@



P W 1 B 7 2 9

Ref. K2110-01A0

Page 240460

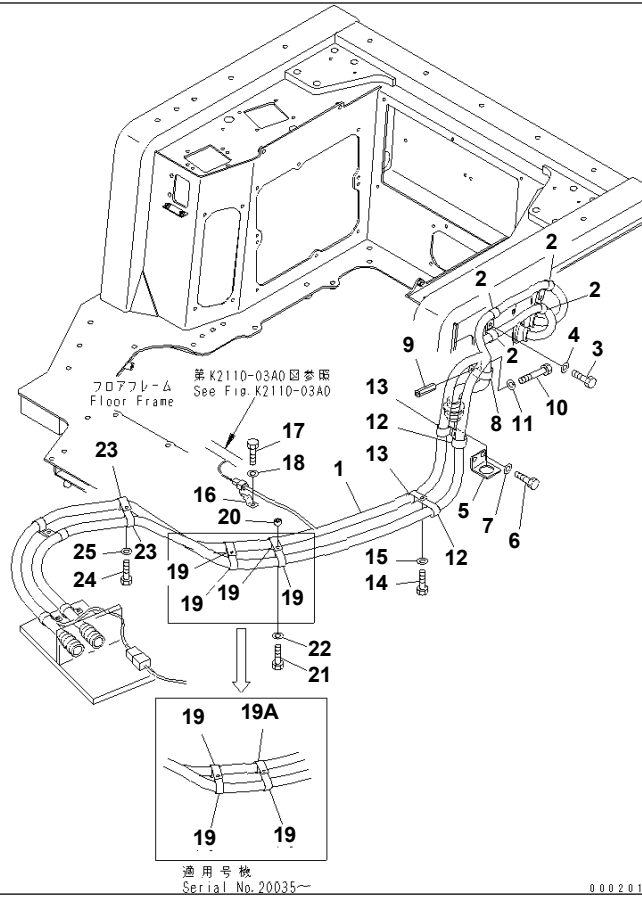
D275AX-5 S/N 2001-UP
FLOOR FRAME (WITH CAB)

Item	Part No.	Part Name	Qty	Serial No.
1	195-54-79921	FRAME	1	2001-
2	07049-01215	PLUG	23	2001-

D275AX-5 S/N 20001-UP
WIRING (FLOOR) (FOR LANDFILL SPEC.)(#20001-20168)

Item	Part No.	Part Name	Qty	Serial No.
29	01010-81225	BOLT	1	20001-@
30	01643-31232	WASHER	1	20001-@
31	04434-52310	CLIP	4	20001-@
32	01010-81020	BOLT	4	20001-@
33	01643-31032	WASHER	4	20001-@
34	198-06-58920	PLATE	1	20001-@
35	175-79-83760	SPACER	1	20001-@
36	01010-81045	BOLT	1	20001-@
37	01643-31032	WASHER	1	20001-@
38	17M-06-41660	BRACKET	1	20001-@
39	01010-81060	BOLT	1	20001-@
40	01643-31032	WASHER	1	20001-@
41	7830-43-1007	CONTROLLER	2	20114-20168
	□7830-43-1005	CONTROLLER	2	20001-20113
42	01010-80890	BOLT	8	20001-@
43	01643-30823	WASHER	8	20001-@
44	08053-01510	CLIP	2	20001-@
45	01010-81020	BOLT	1	20001-@
46	01643-31032	WASHER	1	20001-@
47	195-54-74241	COVER	1	20001-@
48	01435-00825	BOLT	6	20001-@

D275AX-5 S/N 20001-UP
00020167



Ref. K2110-05A0

Page 240590

D275AX-5 S/N 20001-UP
FLOOR FRAME WIRING (ENGINE)

Item	Part No.	Part Name	Qty	Serial No.
1	17M-06-41292	WIRING HARNESS	1	20035-
	17M-06-41291	WIRING HARNESS	1	20001-20034
2	04434-53411	CLIP	4	20001-
3	01010-81020	BOLT	2	20001-
4	01643-31032	WASHER	2	20001-
5	17M-06-41331	PLATE	1	20001-
6	01010-81020	BOLT	2	20001-
7	01643-31032	WASHER	2	20001-
8	04434-53411	CLIP	1	20001-
9	195-979-3570	COLLAR	1	20001-
10	01010-81090	BOLT	1	20001-
11	01643-31032	WASHER	1	20001-
12	04434-53411	CLIP	2	20001-
13	04434-52711	CLIP	2	20001-
14	01010-81020	BOLT	1	20001-
15	01643-31032	WASHER	1	20001-
16	08053-00912	CLIP	1	20001-
17	01010-81020	BOLT	1	20001-
18	01643-31032	WASHER	1	20001-
19	04434-53411	CLIP	3	20035-
	04434-53411	CLIP	4	20001-20034
19A	04434-52711	CLIP	1	20035-
20	175-79-83760	SPACER	2	20001-
21	01010-81045	BOLT	2	20001-
22	01643-31032	WASHER	2	20001-
23	04434-53411	CLIP	2	20001-
24	01010-81020	BOLT	1	20001-
25	01643-31032	WASHER	1	20001-

D275AX-5 S/N 20001-UP
SLIDER AND LIFT(#20001-20082)

Item	Part No.	Part Name	Qty	Serial No.
16	19M-43-34220	· · PLATE	1	20001-20082
17	19M-43-34230	· · ARM,OUTER	1	20001-20082
18	19M-43-34240	· · ARM,INNER	1	20001-20082
19	19M-43-34250	· · BUSHING	1	20001-@
20	19M-43-34270	· · SHAFT	1	20001-20082
21	19M-43-34280	· · SHAFT	3	20001-20082
22	19M-43-34290	· · BUSHING	16	20001-20082
23	19M-43-34310	· · BOX	4	20001-20082
24	19M-43-34320	· · BUSHING	4	20001-@
25	19M-43-34330	· · BUSHING	4	20001-20082
26	19M-43-34340	· · PLATE	4	20001-20082
27	19M-43-34350	· · PLATE	4	20001-20082
28	19M-43-34410	· · COVER	1	20001-20082
29	19M-43-34420	· · BLOCK	1	20001-20082
30	19M-43-34430	· · BUSHING	2	20001-20082
31	19M-43-34440	· · SHAFT	1	20001-20082
32	19M-43-34450	· · SHAFT	1	20001-20082
33	19M-43-34470	· · SPACER	1	20001-20082
34	19M-43-34510	· · SHIM	7	20001-20082
35	01023-20406	· · SCREW	4	20001-20082
36	01252-80530	· · BOLT	10	20001-20082
37	01312-20616	· · SCREW	1	20001-20082
38	01601-50512	· · WASHER	10	20001-20082
39	04064-01010	· · RING	6	20001-@
40	20A-43-15311	· · KNOB	1	20001-@

**D275AX-5 S/N 20001-UP
BRAKE PEDAL COVER**

Item	Part No.	Part Name	Qty	Serial No.
29	04205-11238	PIN	1	20001-
30	04050-13022	PIN,COTTER	1	20001-
31	14X-43-11270	PIN	1	20001-
32	01641-21223	WASHER	2	20001-
33	04050-13022	PIN,COTTER	1	20001-
34	14X-43-12410	ROD	1	20001-
35	17A-43-24160	JOINT	1	20001-
36	01508-41408	NUT	1	20001-
37	04250-81474	END	1	20001-
38	01582-11411	NUT	1	20001-
39	01593-31411	NUT	1	20001-
40	04050-13022	PIN,COTTER	1	20001-

D275AX-5 S/N 20001-UP
ADDITIONAL HEATER LINE

Item	Part No.	Part Name	Qty	Serial No.
30	01010-81025	BOLT	2	20001-
31	01643-31032	WASHER	2	20001-
32	195-979-1550	CLAMP	2	20001-
33	01010-81070	BOLT	2	20001-
34	01643-31032	WASHER	2	20001-
35	6152-51-5520	SPACER	2	20001-
36	195-979-1550	CLAMP	1	20001-
37	01010-81090	BOLT	1	20001-
38	01643-31032	WASHER	1	20001-
39	6152-51-5520	SPACER	1	20001-
40	09483-50528	HOSE	2	20001-
41	09479-02400	CLAMP	4	20001-

D275AX-5 S/N 20001-UP
RIPPER CONTROL LEVER (WITH SHOE SLIP CONTROL) (WITH ADDITIONAL HEATER)

Item	Part No.	Part Name	Qty	Serial No.
29	07000-12018	O-RING	2	20001-
30	195-43-67111	LEVER	1	20001-
31	01010-81030	BOLT	1	20001-
32	01643-31032	WASHER	1	20001-
33	195-43-67121	SHAFT	1	20001-
34	01245-00825	SCREW	2	20001-
35	01643-30823	WASHER	2	20001-
36	195-43-67131	LEVER	1	20001-
37	195-09-11130	WASHER	1	20001-
38	01010-D1020	BOLT	1	20001-
39	01010-80830	BOLT	4	20001-
40	01643-30823	WASHER	4	20001-
41	17A-61-16271	TEE	1	20001-
42	201-60-11390	· O-RING	2	20001-
43	20Y-62-19560	· O-RING	2	20001-
44	07002-02034	O-RING	1	20001-
45	14X-43-14171	KNOB	1	20001-
46	20T-43-71190	NUT	1	20001-
47	11Y-43-11181	BOOT	1	20001-

**D275AX-5 S/N 20001-UP
DASHBOARD**

Item	Part No.	Part Name	Qty	Serial No.
30	01643-30823	WASHER	2	20001-
31	195-54-69860	COVER	1	20001-
32	01435-00814	BOLT	4	20001-
33	01245-00816	SCREW	2	20001-
34	01643-70823	WASHER	2	20001-
35	17M-54-44470	COVER	1	20001-
36	01023-20614	SCREW	4	20001-
37	198-911-9161	DUCT	1	20001-
38	198-911-9530	· SEAL (BONDED)	2	20001-
39	14X-54-18370	· SEAL (BONDED)	1	20001-
40	01010-80820	BOLT	4	20001-
41	01643-30823	WASHER	4	20001-
42	198-911-9431	BRACKET	1	20001-
43	01010-80820	BOLT	2	20001-
44	01643-30823	WASHER	2	20001-

D275AX-5 S/N 20001-UP
DASHBOARD (WITHOUT CAB) (WITH SHOE SLIP CONTROL)

Item	Part No.	Part Name	Qty	Serial No.
29	14X-06-12160	SWITCH	4	20001-
30	7824-85-4810	SWITCH	2	20001-
31	198-06-52351	BRACKET	1	20001-
32	01010-81225	BOLT	1	20001-
33	01643-31232	WASHER	1	20001-
34	198-06-56570	BUZZER	1	20001-
35	01010-80616	BOLT	2	20001-
36	01643-30623	WASHER	2	20001-
37	17M-06-41540	WIRING HARNESS	1	20001-
	08501-21507	· SWITCH,SERVICE	1	20001-
	08504-10000	· CAP	1	20001-
	19M-06-31720	· RESISTOR	1	20001-
38	01010-81220	BOLT	1	20001-
39	01643-31232	WASHER	1	20001-
40	04434-53412	CLIP	1	20001-
41	01010-81220	BOLT	1	20001-
42	01643-31232	WASHER	1	20001-
43	17M-54-44630	BRACKET	1	20001-
44	01010-81225	BOLT	2	20001-
45	01643-31232	WASHER	2	20001-

D275AX-5 S/N 20001-UP
DASHBOARD (WITH HEATER OR AIR CONDITIONER) (WITHOUT SHOE SLIP CONTROL)

Item	Part No.	Part Name	Qty	Serial No.
24	01010-81225	BOLT	1	20001-
25	01643-31232	WASHER	1	20001-
26	155-911-1790	CLIP	1	20035-
	195-01-12520	CLIP	1	20001-20034
27	01010-81225	BOLT	1	20001-
28	01643-31232	WASHER	1	20001-
29	17A-911-1250	HOSE	1	20001-
30	07281-01159	CLAMP	2	20001-
31	01010-81235	BOLT	6	20001-
32	01643-31232	WASHER	6	20001-
33	17M-54-48110	SHIM, 0.8MM	2	20001-

D275AX-5 S/N 20001-UP
DASHBOARD (WITH A/C) (FOR SSC EVY DUTY-WIRING AND COOLING
FAN HYDRAULIC DRIVEN REVERSIBLE)

Item	Part No.	Part Name	Qty	Serial No.
24	08034-00414	BAND	3	20001-
25	01010-81225	BOLT	1	20001-
26	01643-31232	WASHER	1	20001-
27	155-911-1790	CLIP	1	20035-
	195-01-12520	CLIP	1	20001-20034
28	01010-81225	BOLT	1	20001-
29	01643-31232	WASHER	1	20001-
30	17A-911-1250	HOSE	1	20001-
31	07281-01159	CLAMP	2	20001-
32	01010-81235	BOLT	6	20001-
33	01643-31232	WASHER	6	20001-
34	17M-54-48110	SHIM, 0.8MM	2	20001-

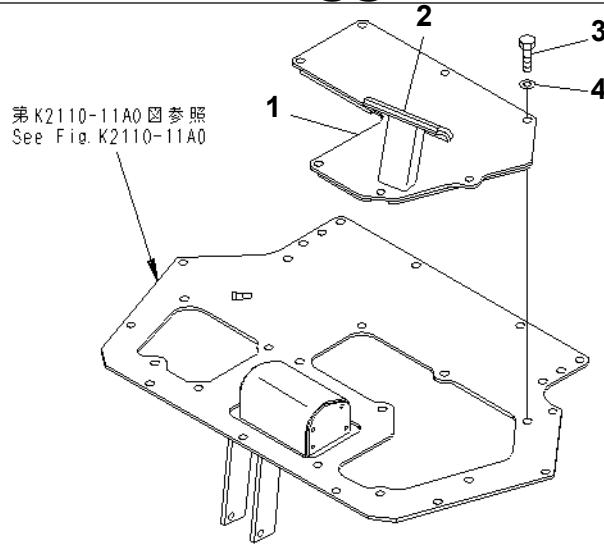
D275AX-5 S/N 20001-UP
DASHBOARD (WITH ADDITIONAL HEATER AND SHOE SLIP CONTROL)
(FOR COOLING FAN)

Item	Part No.	Part Name	Qty	Serial No.
26	01010-81225	BOLT	1	20103-
27	01643-31232	WASHER	1	20103-
28	114-06-42310	SWITCH	1	20103-
29	17A-911-1250	HOSE	1	20103-
30	07281-01159	CLAMP	2	20103-
31	01010-81235	BOLT	6	20103-
32	01643-31232	WASHER	6	20103-
33	17M-54-48110	SHIM, 0.8MM	2	20103-

D275AX-5 S/N 20001-UP
DASHBOARD (WITH HEAVY DUTY WIRING) (FOR COOLING FAN
HYDRAULIC DRIVEN REVERSIBLE)(#20103-)

Item	Part No.	Part Name	Qty	Serial No.
26	01643-31232	WASHER	1	20103-
27	155-911-1790	CLIP	1	20103-
28	01010-81225	BOLT	1	20103-
29	01643-31232	WASHER	1	20103-
30	01010-81235	BOLT	6	20103-
31	01643-31232	WASHER	6	20103-
32	17M-54-48110	SHIM, 0.8MM	2	20103-

D275AX-5 S/N 20001-UP
 @@1C075A



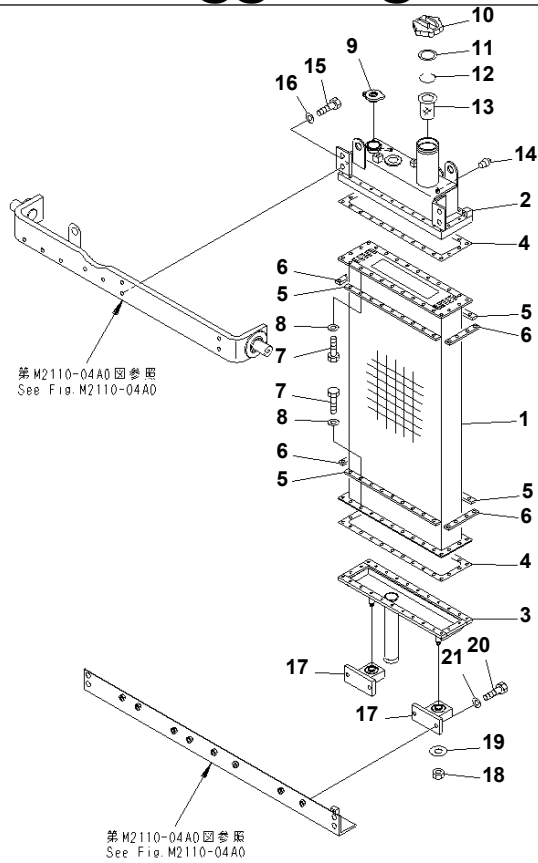
Ref. K2400-01A0

P W 1 C 0 7 5 A

Page 241270

D275AX-5 S/N 20001-UP
 FOOT REST COVER

Item	Part No.	Part Name	Qty	Serial No.
1	17A-43-14171	COVER	1	20001-
2	14X-43-13760	CAP,FOOT REST	1	20001-
3	01010-81230	BOLT	8	20001-
4	01643-31232	WASHER	8	20001-

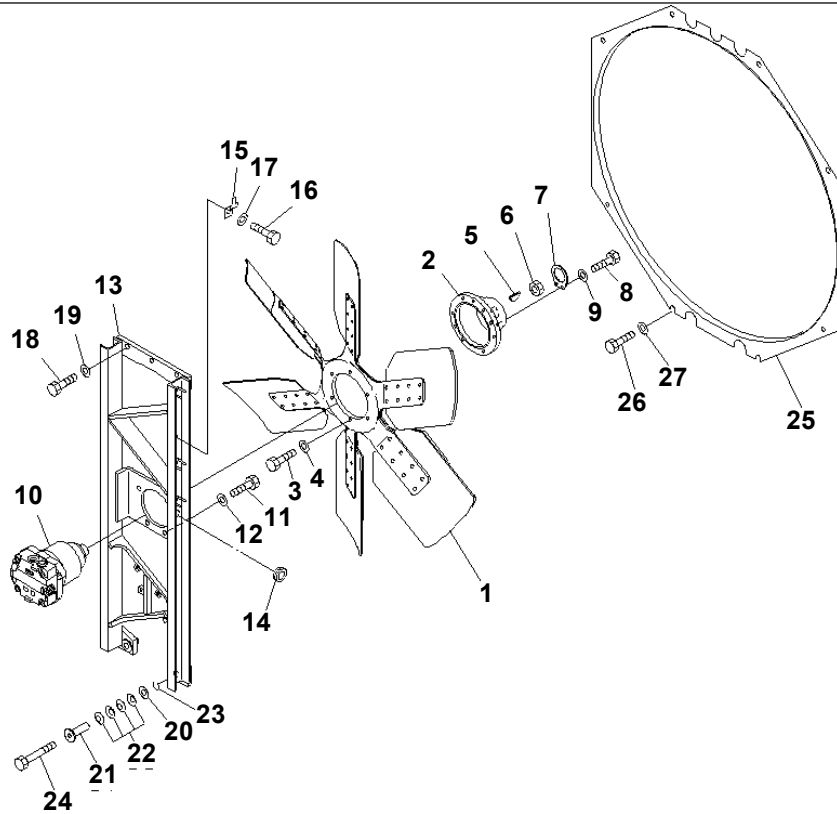


P W 1 0 . 3 5 2

D275AX-5 S/N 20001-UP
DUAL RADIATOR

Item	Part No.	Part Name	Qty	Serial No.
	17M-03-41301	RADIATOR	1	20001-
1	17M-03-41310	· CORE	1	20001-
2	17M-03-41321	· TANK,UPPER	1	20001-
3	17M-03-41331	· TANK,LOWER	1	20001-
4	17M-03-41340	· GASKET	2	20001-
5	17M-03-41350	· PLATE	4	20001-
6	17M-03-41360	· PLATE	4	20001-
7	01010-81035	· BOLT	52	20001-
8	01643-31032	· WASHER	52	20001-
9	201-03-51310	· CAP	1	20001-
10	07053-10000	· CAP	1	20001-
11	07053-00002	· GASKET	1	20001-
12	07057-03271	· RING,SNAP	1	20001-
13	07056-00048	· STRAINER	1	20001-
14	07042-30108	· PLUG	1	20001-
15	01010-61635	BOLT	4	20001-
16	01643-31645	WASHER	4	20001-
17	195-03-41200	ISOLATOR ASS'Y	2	20001-
18	01580-11210	NUT	2	20001-
19	175-54-34170	WASHER	2	20001-
20	01010-81240	BOLT	4	20001-
21	01643-31232	WASHER	4	20001-

D275AX-5 S/N 20001-UP
00009233



00009233

Ref. M2110-06A2

Page 270110

D275AX-5 S/N 20001-UP
FAN (FOR LANDFILL SPEC.)

Item	Part No.	Part Name	Qty	Serial No.
	17M-03-46870	FAN ASS'Y	1	20001-
1	600-645-9280	· FAN	1	20001-
2	17M-03-46851	· BOSS	1	20001-
3	01010-81240	· BOLT	6	20001-
4	01643-11232	· WASHER	6	20001-
5	04010-01032	KEY	1	20001-
6	01583-13621	NUT	1	20001-
7	01660-03650	LOCK	1	20001-
8	01010-81020	BOLT	1	20001-
9	01643-31032	WASHER	1	20001-
10	(708-7W-00041)	MOTOR ASS'Y	1	20008-
	(708-7W-00040)	MOTOR A.S,D275AX-5	1	20001-20007
11	01010-61640	BOLT	4	20001-
12	01643-31645	WASHER	4	20001-
13	17M-03-46711	SUPPORT	1	20001-
14	08037-02512	GROMMET	1	20001-
15	08193-21012	CLIP	1	20001-
16	01010-81220	BOLT	1	20001-
17	01643-31232	WASHER	1	20001-
18	01010-61645	BOLT	3	20001-
19	01643-31645	WASHER	3	20001-
20	154-30-51460	WASHER	2	20001-
21	175-03-71360	SPACER	2	20001-
22	175-54-27350	SPRING	8	20001-
23	175-54-28770	RING	2	20001-
24	01010-81290	BOLT	2	20001-
25	17M-03-46121	SHROUD	1	20001-
26	01010-81225	BOLT	8	20001-
27	175-54-34170	WASHER	8	20001-

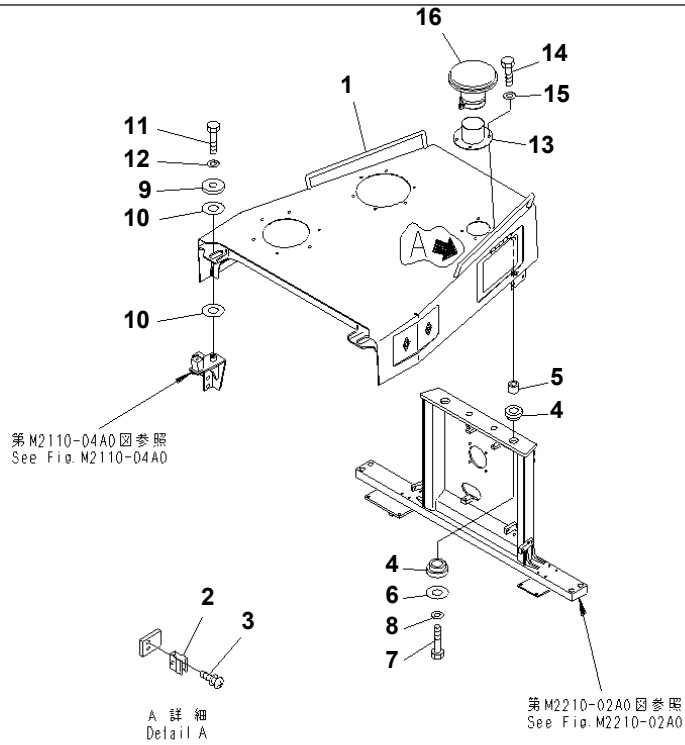
D275AX-5 S/N 20001-UP
RADIATOR GUARD AND MASK (FOR LANDFILL SPEC.)

Item	Part No.	Part Name	Qty	Serial No.
26	01643-31032	WASHER	3	20001-
27	17M-61-21110	YOKE	2	20001-
28	17M-61-11120	CAP	4	20001-
29	01011-62000	BOLT	8	20001-
30	01643-32060	WASHER	8	20001-
31	17M-54-41410	ADAPTER	2	20001-
32	07020-00675	FITTING,GREASE	2	20001-
33	01010-61630	BOLT	2	20001-
34	21T-09-11330	WASHER	2	20001-
35	17M-54-41190	PLATE	2	20001-
36	01010-81020	BOLT	8	20001-
37	01643-31032	WASHER	8	20001-
38	17M-54-42210	BRACKET	1	20175-
39	17M-54-42220	SHIM, 1.00MM	14	20175-
40	17M-54-42230	SHIM, 0.50MM	2	20175-
41	01010-81235	BOLT	4	20175-
42	01643-31232	WASHER	4	20175-
43	17M-54-41610	MASK,L.H.	1	20001-
44	17M-54-41620	MASK,R.H.	1	20001-
45	01010-61660	BOLT	4	20001-
	01010-61655	BOLT	4	20001-20091
46	01010-61645	BOLT	4	20001-
47	01643-31645	WASHER	8	20001-

D275AX-5 S/N 20001-UP
RADIATOR GUARD RETATED PARTS

Item	Part No.	Part Name	Qty	Serial No.
28	01643-31232	WASHER	3	20001-
29	01010-81230	BOLT	2	20001-
30	175-54-34170	WASHER	4	20164-
	175-54-34170	WASHER	2	20001-20163
31	01010-81235	BOLT	2	20164-
	01010-81230	BOLT	2	20001-20163
32	01643-31232	WASHER	2	20164-
	20Y-973-2430	COLLAR	2	20001-20163
33	175-54-27350	SPRING	4	20164-
34	15B-54-14220	COLLAR	2	20164-
35	175-54-28770	RING	2	20164-
36	17M-54-42130	COVER	1	20001-
37	01010-81220	BOLT	4	20001-
38	01643-31232	WASHER	4	20001-
39	17M-54-41252	MARK PLATE	1	20164-
	17M-54-41251	MARK PLATE	1	20001-20163
40	195-54-43260	BOLT	8	20001-
41	198-911-3160	WASHER	8	20001-
42	17M-54-21341	GRIP,L.H.	1	20001-
43	01010-61645	BOLT	2	20001-
44	01643-31645	WASHER	2	20001-
45	17M-54-21351	GRIP,R.H.	1	20001-
46	01010-61645	BOLT	2	20001-
47	01643-31645	WASHER	2	20001-
48	07020-00900	FITTING,GREASE	4	20001-

D275AX-5 S/N 20001-UP
00016186



Ref. M2140-01A8

00016186

Page 270320

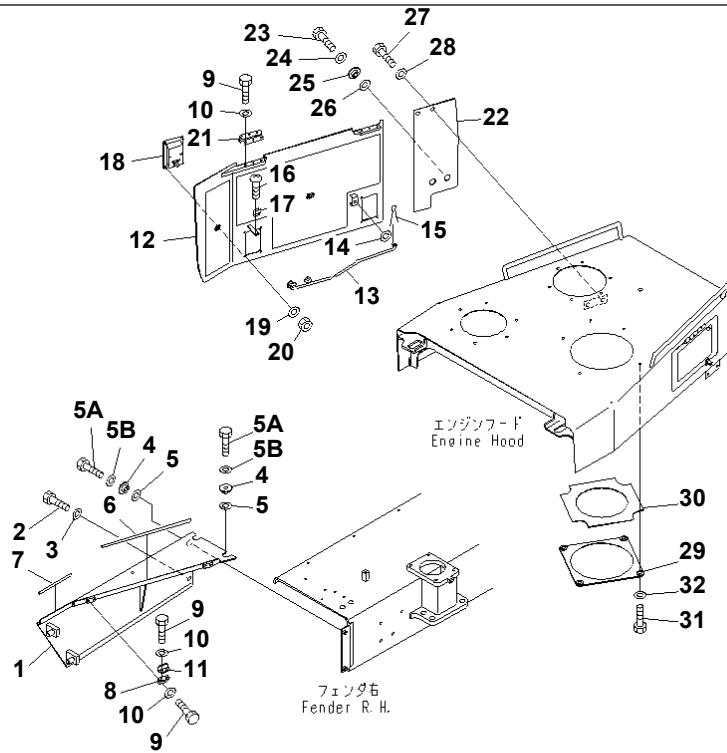
D275AX-5 S/N 20001-UP
ENGINE HOOD (FOR SAND DUST SPEC.) (WITHOUT SIDE COVER)
(ADDITIONAL FUEL FILTER)

Item	Part No.	Part Name	Qty	Serial No.
1	17M-54-42410	HOOD	1	20001-
2	20R-54-11460	SPRING	1	20001-
3	01023-10512	SCREW	2	20001-
4	195-54-42550	CUSHION	4	20001-
5	195-54-42560	BOSS	2	20001-
6	195-54-42570	PLATE	2	20001-
7	01010-62075	BOLT	2	20001-
8	01643-32060	WASHER	2	20001-
9	195-54-42680	PLATE	2	20001-
10	195-54-46180	PLATE	4	20001-
11	01010-61635	BOLT	2	20001-
12	01643-31645	WASHER	2	20001-
13	17M-54-42420	COVER	1	20001-
14	01010-81225	BOLT	4	20001-
15	01643-31232	WASHER	4	20001-
16	124-911-1430	HOOD	1	20001-

D275AX-5 S/N 20001-UP
**ENGINE SIDE COVER (L.H.) (FOR SAND DUST SPEC.) (ADDITIONAL FUEL
 FILTER)**

Item	Part No.	Part Name	Qty	Serial No.
29	01010-81020	BOLT	6	20001-
30	01643-31032	WASHER	6	20001-
31	01010-81020	BOLT	6	20001-
32	01643-31032	WASHER	6	20001-
33	17M-54-43132	COVER	1	20001-
34	01010-81225	BOLT	2	20001-
35	175-54-34170	WASHER	2	20001-
36	20Y-973-2430	COLLAR	2	20001-
37	20Y-54-19920	PLATE	3	20008-
	□195-54-75990	SPACER	3	20001-20007
38	01010-81235	BOLT	2	20001-
39	01643-31232	WASHER	2	20001-

D275AX-5 S/N 20001-UP
00016182



00016182

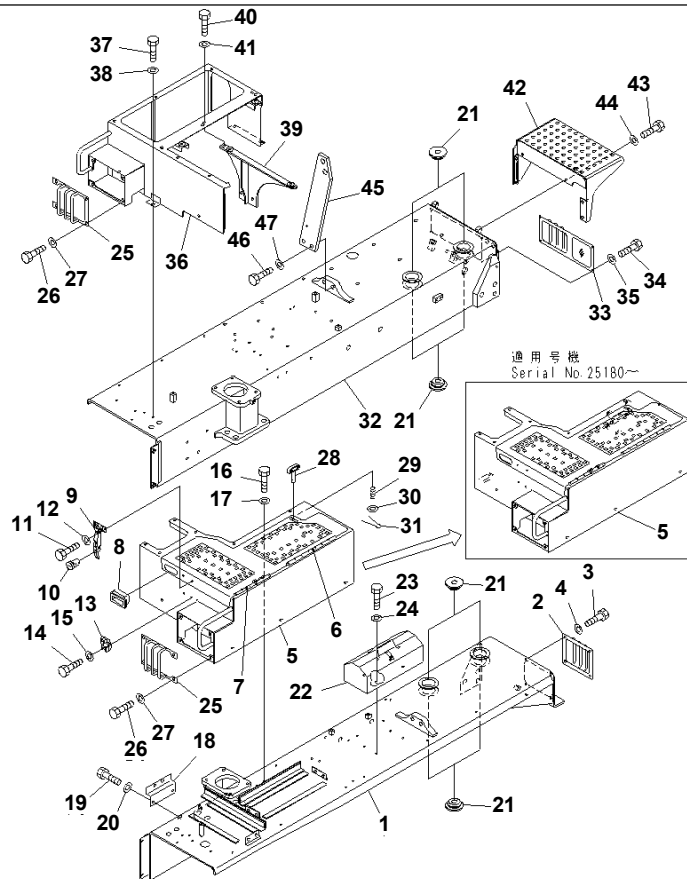
Ref. M2140-03A4

Page 270440

D275AX-5 S/N 20001-UP
ENGINE SIDE COVER (R.H.) (PERFORATED)

Item	Part No.	Part Name	Qty	Serial No.
1	17M-54-43181	COVER,R.H.	1	20001-
2	01010-81235	BOLT	1	20001-
3	175-54-34170	WASHER	1	20010-
	01643-31232	WASHER	1	20001-20009
4	20Y-973-2430	COLLAR	3	20001-
5	20Y-54-19920	PLATE	3	20001-
5A	01010-81235	BOLT	3	20001-
5B	01643-31232	WASHER	3	20001-
6	09412-00006	SEAL	1	20001-
7	09412-00002	SEAL	1	20001-
8	17M-54-43210	BRACKET	2	20001-
9	01010-81020	BOLT	20	20001-
10	01643-31032	WASHER	20	20001-
11	17M-54-43220	BRACKET	2	20001-
12	17M-54-43520	COVER,R.H.	1	20001-
13	17M-54-43243	BAR,R.H.	1	20001-
14	01643-31232	WASHER	1	20001-
15	04050-13020	PIN,COTTER	1	20039-
	04050-12020	PIN,COTTER	1	20001-20038
16	01023-10510	SCREW	2	20039-
	01023-60520	SCREW	2	20001-20038
17	20R-54-11460	SPRING	1	20001-
18	198-54-55990	LOCK ASS'Y	2	20001-
19	01643-30823	WASHER	8	20001-
20	01580-10806	NUT	8	20001-
21	14X-911-1330	HINGE	2	20001-
22	17M-54-43142	COVER,R.H.	1	20001-
23	01010-81225	BOLT	2	20001-
24	175-54-34170	WASHER	2	20001-

D275AX-5 S/N 20001-UP
00031386



00031386

Ref. M2210-01A0

Page 270510

D275AX-5 S/N 20001-UP
FENDER

Item	Part No.	Part Name	Qty	Serial No.
1	17M-54-45111	FENDER,L.H.	1	20001-
2	17M-54-25530	COVER	1	20001-
3	01010-81225	BOLT	4	20001-
4	01643-31232	WASHER	4	20001-
5	17M-54-45214	COVER,L.H.	1	20143-
	17M-54-45213	COVER,L.H.	1	20001-20142
6	09457-00385	· HINGE (WELDED)	1	20001-
7	09457-00275	· HINGE (WELDED)	1	20001-
8	209-54-12280	HANDLE	1	20001-
9	205-54-76260	CATCHER	1	20001-
10	205-54-76280	· ROTOR ASS'Y	1	20001-
11	01010-80820	BOLT	2	20001-
12	01643-30823	WASHER	2	20001-
13	205-54-67660	SUPPORT	1	20001-
14	01010-80820	BOLT	2	20001-
15	01643-30823	WASHER	2	20001-
16	01010-81225	BOLT	5	20001-
17	01643-31232	WASHER	5	20001-
18	17M-54-25510	PLATE,L.H.	1	20001-
19	01010-81225	BOLT	2	20001-
20	01643-31232	WASHER	2	20001-
21	195-04-31140	RUBBER	8	20001-
22	175-98-21171	TOOL,BOX	1	20001-
23	01010-81225	BOLT	4	20001-
24	01643-31232	WASHER	4	20001-
25	17M-54-45252	COVER	2	20001-
26	01010-81225	BOLT	4	20001-
27	01643-31232	WASHER	4	20001-
28	09459-11033	LOCK	1	20001-

Reference:M2210-01A0

Page:270510

D275AX-5 S/N 20001-UP
FENDER WIRING (L.H.)(#20001-20142)

Item	Part No.	Part Name	Qty	Serial No.
30	17M-06-41251	WIRING HARNESS	1	20001-@
31	04434-52712	CLIP	4	20001-@
32	01010-81220	BOLT	4	20001-@
33	01643-31232	WASHER	4	20001-@
34	17M-06-41241	WIRING HARNESS	1	20001-20142
35	17M-06-41270	FUSIBLE LINK, 96A	1	20001-20142
36	17M-06-41280	FUSIBLE LINK, 32A	1	20001-20142
37	21T-06-12540	TERMINAL	2	20001-20142
38	01023-60630	SCREW	4	20001-20142
39	08038-00525	CAP	3	20001-20142
40	08038-02027	CAP	1	20001-@
41	04434-51912	CLIP	2	20001-20142
42	01010-81220	BOLT	1	20001-20142
43	01643-31232	WASHER	1	20001-20142

CLICK HERE TO **DOWNLOAD** THE COMPLETE MANUAL

- Thank you very much for reading the preview of the manual.
- You can download the complete manual from: www.heydownloads.com by clicking the link below

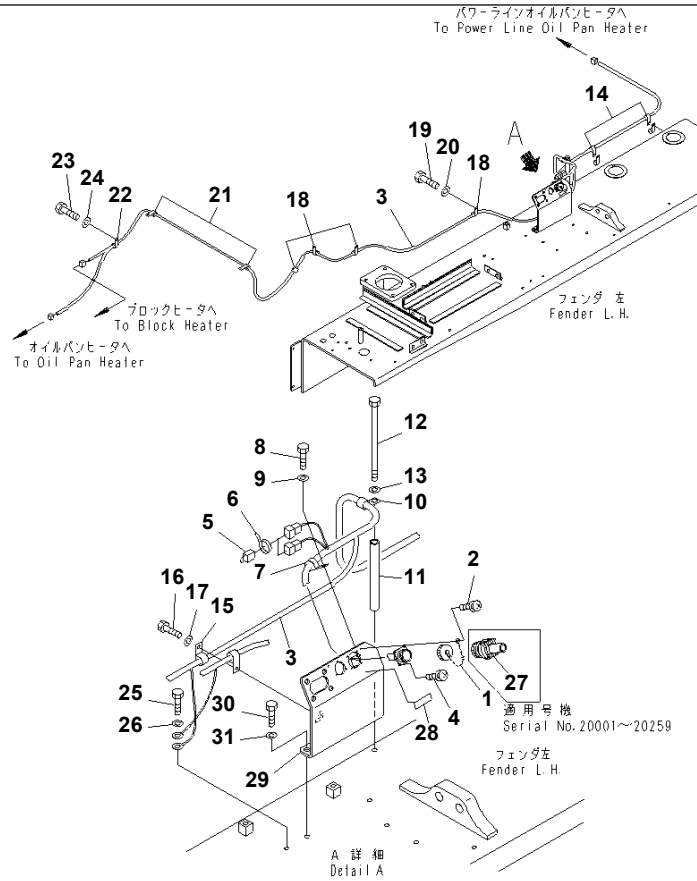


- Please note: If there is no response to CLICKING the link, please download this PDF first and then click on it.

CLICK HERE TO **DOWNLOAD** THE COMPLETE MANUAL

D275AX-5 S/N 20001-UP
FENDER WIRING (R.H.)

Item	Part No.	Part Name	Qty	Serial No.
30	01643-31232	WASHER	1	20001-
31	08037-03620	GROMMET	1	20001-



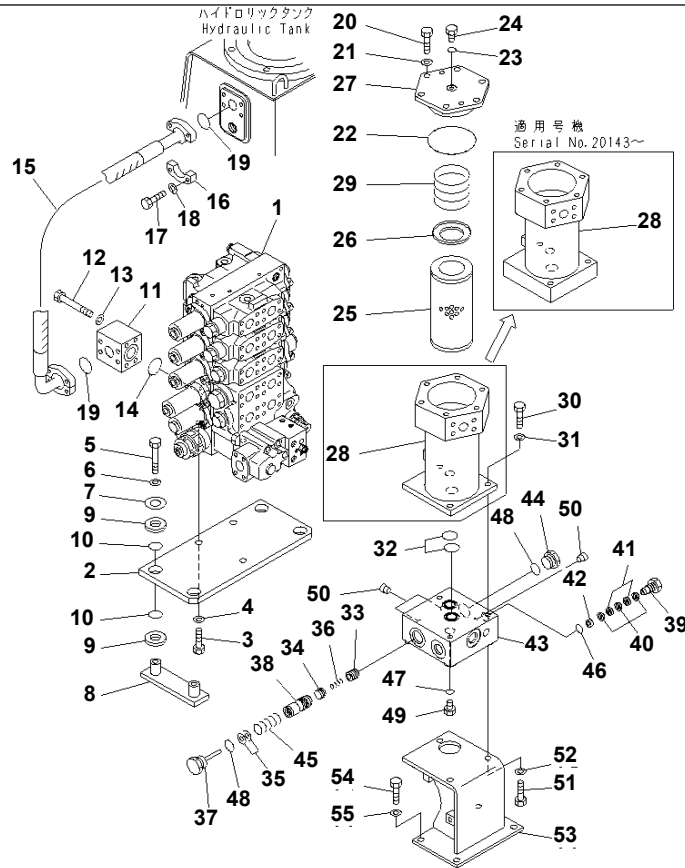
00068964

D275AX-5 S/N 20001-UP
HEATER HARNESS (COLD WEATHER (A) SPEC.)

Item	Part No.	Part Name	Qty	Serial No.
1	175-06-39830	CAP	1	20001-
2	01023-10312	SCREW	1	20001-
3	17M-06-49111	WIRING HARNESS	1	20165-
	17M-06-49110	WIRING HARNESS	1	20001-20164
4	01023-10312	SCREW	4	20001-
5	17M-06-49160	FUSIBLE LINK	2	20001-
6	08034-20823	BAND	1	20001-
7	04434-51412	CLIP	1	20001-
8	01010-81220	BOLT	1	20001-
9	01643-31232	WASHER	1	20001-
10	04434-51012	CLIP	1	20001-
11	154-61-16380	SPACER	1	20001-
12	427-62-15260	BOLT	1	20001-
13	01643-31232	WASHER	1	20001-
14	04434-51012	CLIP	2	20001-
15	04434-51412	CLIP	1	20001-
16	01010-81225	BOLT	1	20001-
17	01643-31232	WASHER	1	20001-
18	04434-51412	CLIP	4	20001-
19	01010-81225	BOLT	4	20001-
20	01643-31232	WASHER	4	20001-
21	04434-51412	CLIP	2	20001-
22	04434-51412	CLIP	1	20001-
23	01010-81220	BOLT	1	20001-
24	01643-31232	WASHER	1	20001-
25	01010-81020	BOLT	1	20001-
26	01643-31032	WASHER	1	20001-
27	175-06-37871	PLUG	1	20001-20259
28	195-98-14780	PLATE, CAUTION	1	20001-

D275AX-5 S/N 20001-UP

00051398



00051398

Ref. M2210-08A1

Page 270730

D275AX-5 S/N 20001-UP
CHARGE VALVE AND FILTER (FOR DUAL TILT PITCH DOZER)

Item	Part No.	Part Name	Qty	Serial No.
1	(723-65-21300)	CONTROL VALVE	1	20001-
2	17M-60-51210	BRACKET	1	20001-
3	01010-61440	BOLT	3	20001-
4	01643-31445	WASHER	3	20001-
5	01010-81280	BOLT	4	20001-
6	01643-31232	WASHER	4	20001-
7	561-74-61750	WASHER	4	20001-
8	17A-60-12321	BRACKET	2	20001-
9	14X-60-12120	CUSHION	8	20001-
10	07000-13025	O-RING	8	20001-
11	17M-61-41250	BLOCK	1	20001-
12	01011-81000	BOLT	4	20001-
13	01643-31032	WASHER	4	20001-
14	07000-13038	O-RING	1	20001-
15	07298-01211	HOSE	1	20001-
16	07371-31255	FLANGE	4	20001-
17	07372-21035	BOLT	8	20001-
18	01643-51032	WASHER	8	20001-
19	07000-13038	O-RING	2	20001-
		(17M-49-41402,01010-81265(3))		
20	01010-81235	BOLT	6	20001-
21	01643-31232	WASHER	6	20001-
22	07000-02110	O-RING	1	20001-
23	07002-01023	O-RING	1	20001-
24	07040-11007	PLUG	1	20001-
25	07063-51054	ELEMENT	1	20001-
26	17A-49-17891	PLATE	1	20001-
27	17A-49-18231	COVER	1	20001-
28	17M-49-41412	CASE	1	20001-

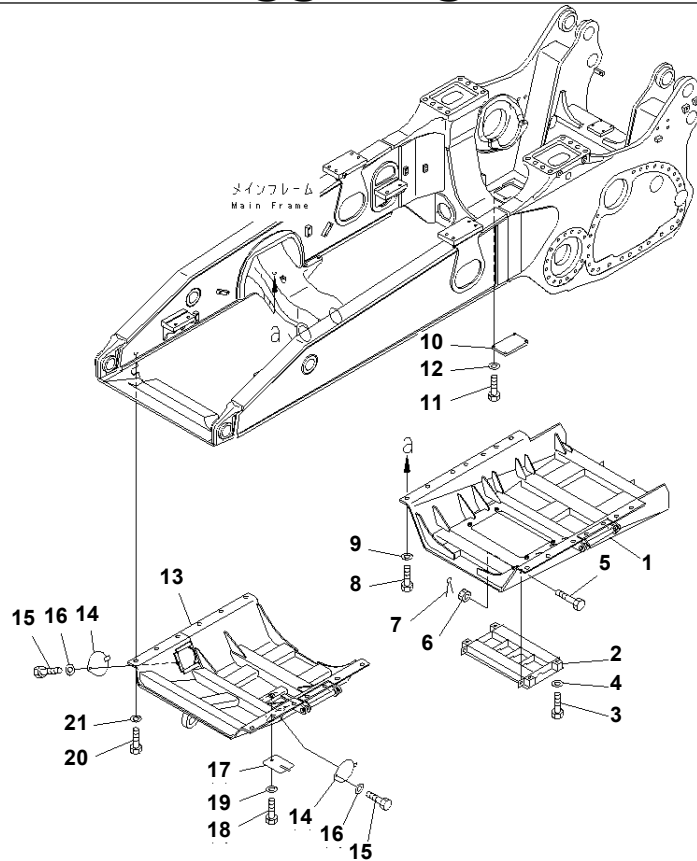
D275AX-5 S/N 20001-UP
FENDER COVER (2/3) (FOR LANDFILL SPEC.)

Item	Part No.	Part Name	Qty	Serial No.
30	04050-13020	PIN	1	20001-
31	01010-81230	BOLT	3	20001-
32	01643-31232	WASHER	3	20001-
33	01010-81230	BOLT	4	20001-
34	175-54-34170	WASHER	4	20001-
35	205-54-85340	BRACKET	1	20001-
36	01010-81230	BOLT	1	20001-
37	01643-31232	WASHER	1	20001-
38	01010-81230	BOLT	1	20001-
39	175-54-34170	WASHER	1	20001-
40	195-54-42981	CAP	1	20001-

D275AX-5 S/N 20001-UP
FENDER RELATED PARTS

Item	Part No.	Part Name	Qty	Serial No.
26	01010-81235	BOLT	1	20001-
27	01643-31232	WASHER	1	20001-

D275AX-5 S/N 20001-UP
 @@1D205@



PW10205

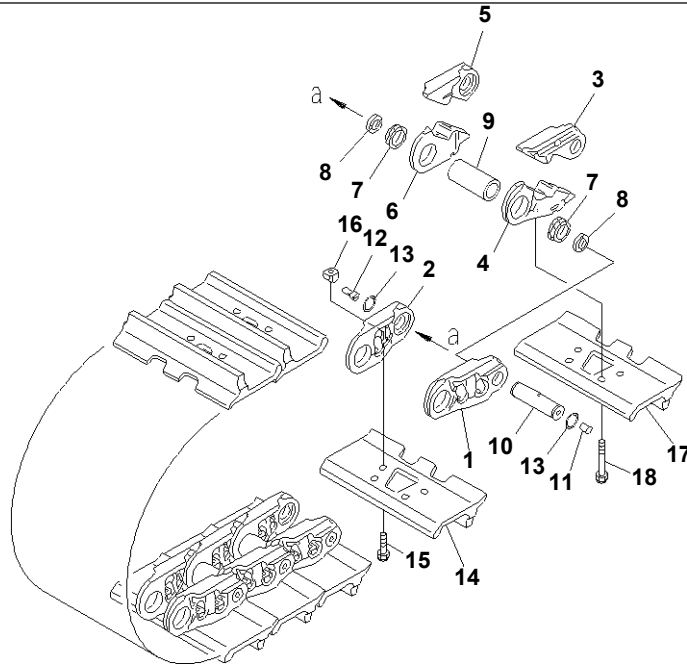
Ref. M2810-01A0

Page 270920

D275AX-5 S/N 20001-UP
 UNDER GUARD

Item	Part No.	Part Name	Qty	Serial No.
1	17M-54-46151	COVER	1	20001-
2	17M-54-26130	COVER	1	20001-
3	01010-81280	BOLT	4	20008-
	□01010-81275	BOLT	4	20001-20007
4	01643-31232	WASHER	4	20001-
5	01012-51265	BOLT	2	20001-
6	01590-31215	NUT	2	20001-
7	04050-13022	PIN,COTTER	2	20001-
8	01010-62450	BOLT	13	20001-
9	01643-32460	WASHER	13	20001-
10	17A-21-11151	PLATE	2	20001-
11	01010-81225	BOLT	8	20001-
12	01643-31232	WASHER	8	20001-
13	17M-54-46161	COVER	1	20001-
14	195-54-46150	COVER	2	20001-
15	01010-81220	BOLT	1	20001-
16	01643-31232	WASHER	1	20001-
17	175-54-23240	COVER	1	20001-
18	01010-81225	BOLT	1	20001-
19	01643-31232	WASHER	1	20001-
20	01010-62450	BOLT	13	20001-
21	01643-32460	WASHER	13	20001-

**D275AX-5 S/N 20001-UP
00025048**



00025048

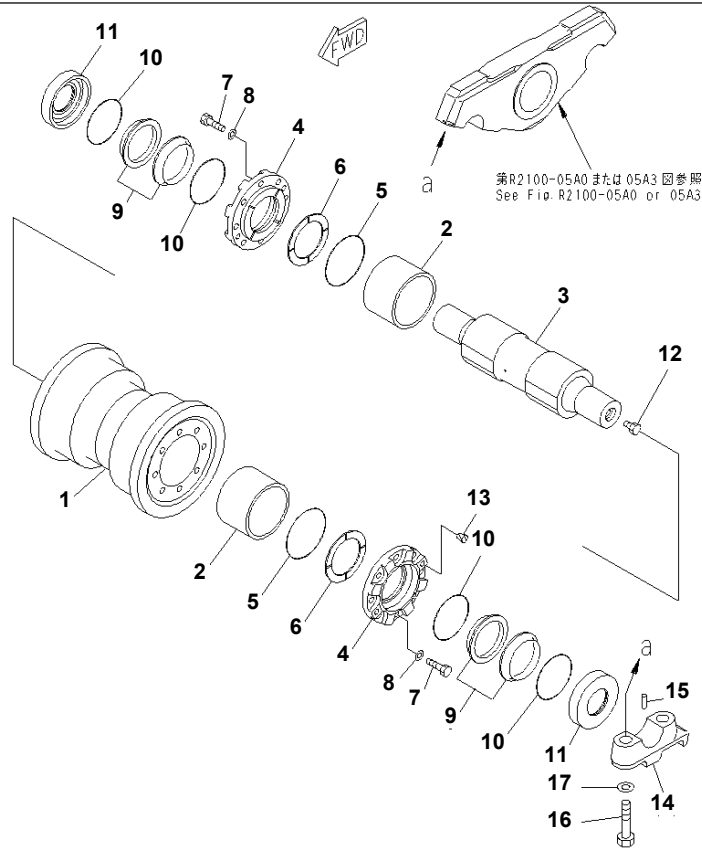
Ref. R0500-01A8

Page 300080

**D275AX-5 S/N 20001-UP
TRACK SHOE (LUBRICATE TYPE) (710MM WIDE) (SINGLE GROUSER)
(WITH HOLE AND RING)**

Item	Part No.	Part Name	Qty	Serial No.
	17M-32-02620	TRACK SHOE ASS'Y	1	20001-
1	17M-32-41120	· LINK,TRACK, L.H.	76	20001-
2	17M-32-41130	· LINK,TRACK, R.H.	76	20001-
	17M-32-08210	· MASTER LINK K. L.H.	1	20001-
3	17M-32-41310	· LINK,MASTER, L.H., PIN SIDE	1	20001-
4	17M-32-41320	· LINK,MASTER, L.H., BUSHING SIDE	1	20001-
	17M-32-08220	· MASTER LINK K. R.H.	1	20001-
5	17M-32-41410	· LINK,MASTER, R.H. PIN SIDE	1	20001-
6	17M-32-41420	· LINK,MASTER, R.H. BUSHING SIDE	1	20001-
7	17M-32-41200	· SEAL ASS'Y	156	20001-
8	195-32-21181	· SPACER	156	20001-
9	17M-32-41140	· BUSHING	78	20001-
10	17M-32-41150	· PIN	78	20001-
11	195-32-41290	· PLUG,LARGE	78	20001-
12	07059-20721	· PLUG,SMALL	78	20001-
13	17M-32-41230	· RING	156	20001-
14	17M-32-31350	· SHOE,TRACK	76	20001-
15	17M-32-41210	· BOLT, SHOE,SHOE	304	20001-
16	195-32-41220	· NUT, SHOE	304	20001-
17	17M-32-31350	· SHOE,TRACK	2	20001-
18	195-32-41431	· BOLT,MASTER LINK	8	20001-

D275AX-5 S/N 2001-UP
00039817



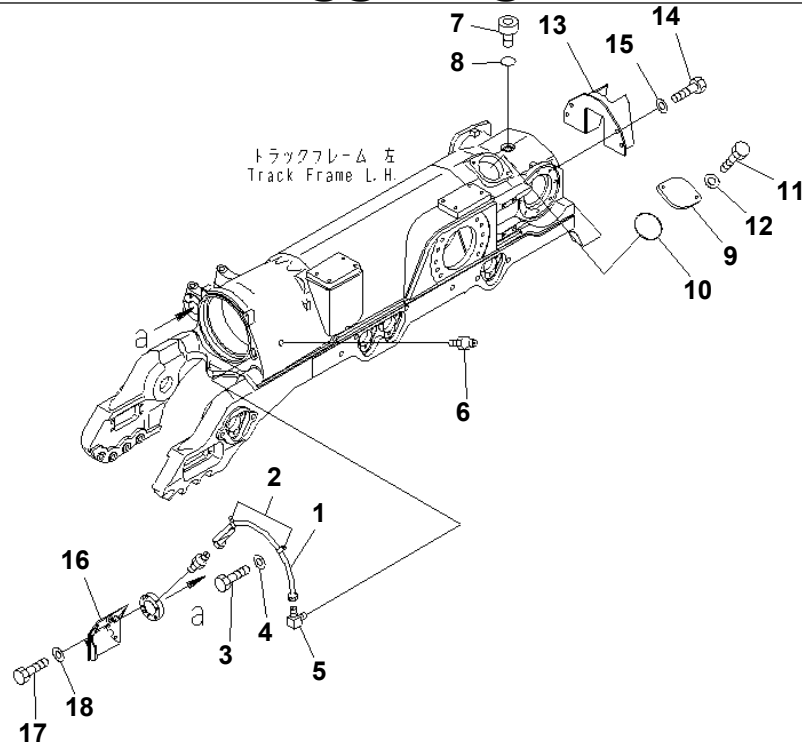
00039817

Ref. R2100-07A0

Page 300180

D275AX-5 S/N 2001-UP
TRACK ROLLER (SINGLE) (L.H.)

Item	Part No.	Part Name	Qty	Serial No.
	17M-30-00320	TRACK ROLLER ASS'Y,SINGLE	1	20001-
1	17M-30-53310	· ROLLER	1	20001-
2	17M-30-53360	· BUSHING	2	20001-
3	17M-30-53330	· SHAFT	1	20001-
4	17M-30-53340	· RETAINER	2	20001-
5	07000-12120	· O-RING	2	20001-
6	17M-30-53350	· PLATE	2	20001-
7	01010-81240	· BOLT	16	20001-
8	01643-31232	· WASHER	16	20001-
	154-30-00831	· FLOATING SEAL ASS'Y	2	20001-
9	☆	· · RING	2	20001-
10	☆	· · O-RING	2	20001-
11	17A-30-15181	· RING	2	20001-
12	07052-31624	· PLUG	1	20001-
13	07049-01215	· PLUG	4	20001-
14	17M-30-52140	CAP	2	20001-
15	04020-00616	PIN,DOWEL	1	20001-
16	01011-62400	BOLT	4	20001-
17	01643-32460	WASHER	4	20001-



P W I D 1 6 1

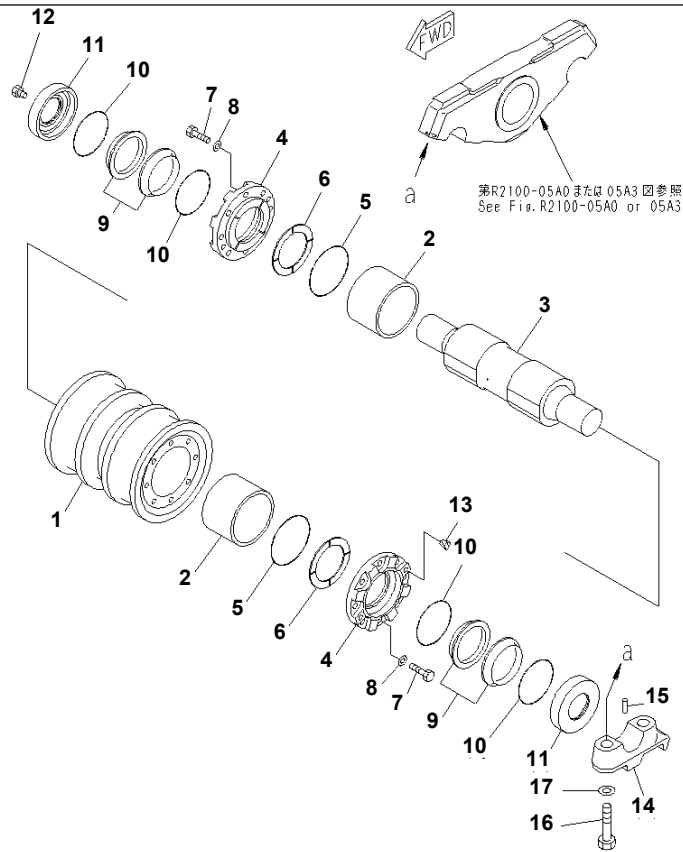
Ref. R2100-13A0

Page 300260

D275AX-5 S/N 20001-UP
EQUALIZER BAR LUBRICATION AND COVER (L.H.)

Item	Part No.	Part Name	Qty	Serial No.
1	17M-50-41280	TUBE,L.H.	1	20001-
2	566-16-11970	CLIP	2	20001-
3	01010-81020	BOLT	2	20001-
4	01643-31032	WASHER	2	20001-
5	20D-68-11780	ELBOW	1	20001-
6	07020-00000	FITTING,GREASE	1	20001-
7	07040-13618	PLUG	1	20001-
8	07002-13634	O-RING	1	20001-
9	195-30-31260	COVER	1	20001-
10	07000-15155	O-RING	1	20001-
11	01010-61645	BOLT	2	20001-
12	01643-31645	WASHER	2	20001-
13	17M-30-51350	COVER	1	20001-
14	01010-62045	BOLT	3	20001-
15	01643-32060	WASHER	3	20001-
16	17M-50-41240	COVER,L.H.	1	20001-
17	01010-61640	BOLT	3	20001-
18	01643-31645	WASHER	3	20001-

D275AX-5 S/N 2001-UP
00039814



00039814

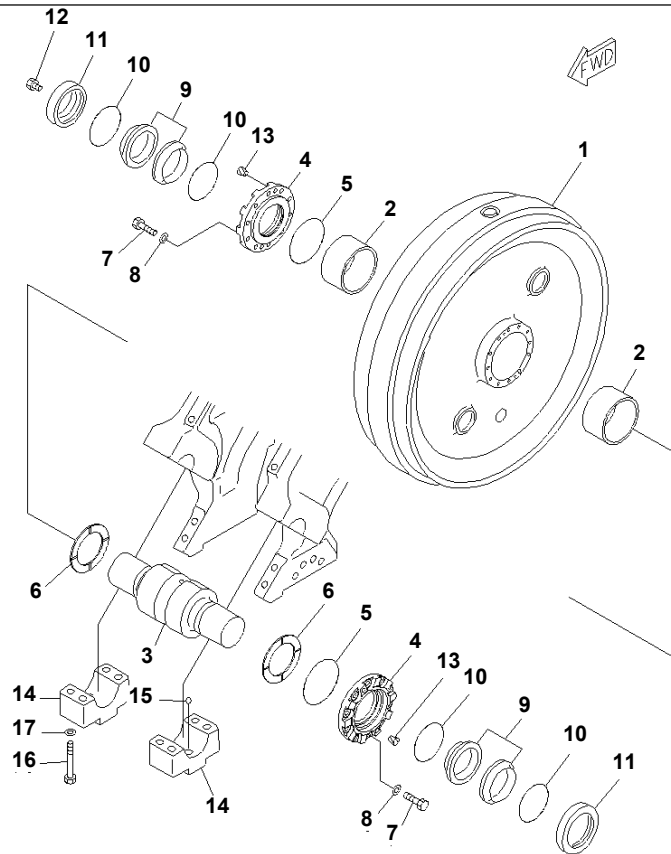
Ref. R2100-19A0

Page 300360

D275AX-5 S/N 2001-UP
TRACK ROLLER (DOUBLE) (R.H.)

Item	Part No.	Part Name	Qty	Serial No.
	17M-30-00330	TRACK ROLLER ASS'Y	5	20001-
1	17M-30-53320	· ROLLER	1	20001-
2	17M-30-53360	· BUSHING	2	20001-
3	17M-30-53330	· SHAFT	1	20001-
4	17M-30-53340	· RETAINER	2	20001-
5	07000-12120	· O-RING	2	20001-
6	17M-30-53350	· PLATE	2	20001-
7	01010-81240	· BOLT	16	20001-
8	01643-31232	· WASHER	16	20001-
	154-30-00831	· FLOATING SEAL ASS'Y	2	20001-
9	☆	· · RING	2	20001-
10	☆	· · O-RING	2	20001-
11	17A-30-15181	· RING	2	20001-
12	07052-31624	· PLUG	1	20001-
13	07049-01215	· PLUG	4	20001-
14	17M-30-52140	CAP	10	20001-
15	04020-00616	PIN	5	20001-
16	01011-62400	BOLT	20	20001-
17	01643-32460	WASHER	20	20001-

D275AX-5 S/N 20001-UP
00039752



00039752

Ref. R2100-25A0

Page 300440

D275AX-5 S/N 20001-UP
FRONT IDLER (R.H.)

Item	Part No.	Part Name	Qty	Serial No.
	17M-30-00310	IDLER ASS'Y	1	20001-
1	17M-30-53110	· IDLER	1	20001-
2	17M-30-53160	· BUSHING	2	20001-
3	17M-30-53130	· SHAFT	1	20001-
4	17M-30-53140	· RETAINER	2	20001-
5	198-30-45390	· O-RING	2	20001-
6	198-30-45350	· PLATE	2	20001-
7	01010-81240	· BOLT	20	20001-
8	01643-31232	· WASHER	20	20001-
	205-30-00052	· FLOATING SEAL ASS'Y	2	20001-
9	☆	· · RING	2	20001-
10	☆	· · O-RING	2	20001-
11	198-30-45380	· RING	2	20001-
12	07052-31624	· PLUG	1	20001-
13	07049-01215	· PLUG	4	20001-
14	17M-30-51480	CAP	2	20001-
15	04260-01905	BALL	1	20001-
16	01011-62725	BOLT	8	20001-
17	01643-32780	WASHER	8	20001-

D275AX-5 S/N 20001-UP
STRAIGHT TILT FRAME (L.H.) (WITH BUSHING)

Item	Part No.	Part Name	Qty	Serial No.
27	17M-71-21730	LOCK	1	20001-
28	01010-61640	BOLT	2	20001-
29	01643-31645	WASHER	2	20001-
30	17M-71-42620	BUSHING	2	20001-
31	07020-00000	FITTING,GREASE	1	20001-
32	17M-71-22160	PLATE	1	20001-
33	17M-71-22251	GASKET	1	20001-
34	01010-81230	BOLT	2	20001-
35	01643-31232	WASHER	2	20001-
36	195-71-62170	PLATE	1	20001-
37	195-71-62121	GASKET	1	20001-
38	01010-81225	BOLT	4	20001-
39	01643-31232	WASHER	4	20001-
40	17M-71-41920	COVER	1	20001-
41	01010-62050	BOLT	6	20001-
42	01643-32060	WASHER	6	20001-
43	17M-71-42471	COVER	1	20001-
44	01010-61635	BOLT	4	20001-
45	01643-31645	WASHER	4	20001-

D275AX-5 S/N 20001-UP
STRAIGHT TILT FRAME AND PIPINIG (R.H.) (WITH BUSHING)

Item	Part No.	Part Name	Qty	Serial No.
30	195-71-62121	GASKET	1	20001-
31	01010-81225	BOLT	4	20001-
32	01643-31232	WASHER	4	20001-
33	17M-71-41920	COVER	1	20001-
34	01010-62050	BOLT	6	20001-
35	01643-32060	WASHER	6	20001-
36	17M-71-42461	COVER	1	20001-
37	01010-61635	BOLT	1	20001-
38	01643-31645	WASHER	4	20001-

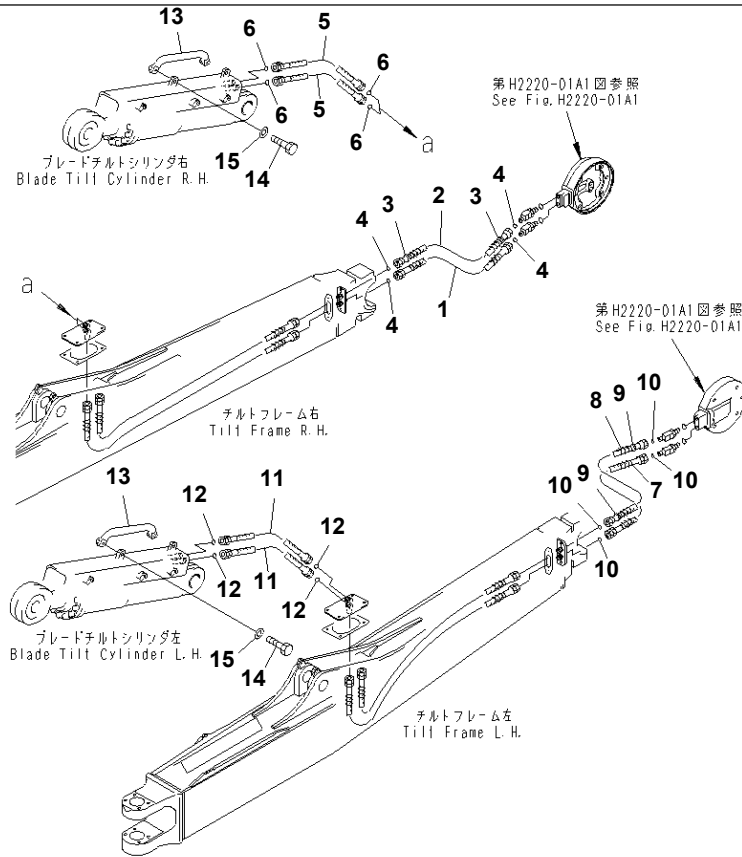
D275AX-5 S/N 20001-UP
TILT SEMI-U BLADE (REINFORCED TYPE)

Item	Part No.	Part Name	Qty	Serial No.
24	17M-71-00070	SHIM ASS'Y	1	20001-
	☆	· SHIM, 0.5MM	4	20001-
	☆	· SHIM, 1.0MM	8	20001-
	☆	· SHIM, 2.3MM	4	20001-
25	195-71-31360	BOLT	12	20001-
26	01643-32780	WASHER	12	20001-
27	17M-71-41460	PIN	1	20001-
28	17M-71-41470	PLATE	2	20001-
29	01010-62055	BOLT	8	20001-
30	01643-32060	WASHER	8	20001-
31	07020-00000	FITTING,GREASE	2	20001-
32	195-71-11654	EDGE	1	20001-
33	195-71-52280	BOLT	21	20001-
34	17M-71-21530	NUT	21	20001-
35	01643-22460	WASHER	21	20001-
36	17M-71-21550	EDGE	2	20001-
37	17M-71-21930	BIT,L.H.	1	20001-
38	195-71-52280	BOLT	14	20001-
39	17M-71-21530	NUT	14	20001-
40	01643-22460	WASHER	14	20001-
41	17M-71-21940	BIT,R.H.	1	20001-
42	(★09601-00835)	PLATE, NAME	1	20001-20245
43	04418-13060	SCREW	4	20001-20245

D275AX-5 S/N 20001-UP
TILT FULL-U BLADE (WITH BUSHING) (REINFORCED TYPE)

Item	Part No.	Part Name	Qty	Serial No.
22	17M-71-42620	BUSHING	4	20001-
23	17M-71-21390	PIN	2	20001-
24	17M-71-41610	LOCK	2	20001-
25	01010-61640	BOLT	8	20001-
26	01643-31645	WASHER	8	20001-
27	17M-71-42411	BRACKET	1	20001-
27A	07049-01620	PLUG	1	20001-
28	17M-71-00070	SHIM ASS'Y	1	20001-
	☆	· SHIM, 0.5MM	4	20001-
	☆	· SHIM, 1.0MM	8	20001-
	☆	· SHIM, 2.3MM	4	20001-
29	195-71-31360	BOLT	12	20001-
30	01643-32780	WASHER	12	20001-
31	17M-71-41460	PIN	1	20001-
32	17M-71-41470	PLATE	2	20001-
33	01010-62055	BOLT	8	20001-
34	01643-32060	WASHER	8	20001-
35	07020-00000	FITTING,GREASE	2	20001-
36	17M-71-42610	BUSHING	2	20001-
37	195-71-11654	EDGE	1	20001-
38	195-71-52280	BOLT	24	20001-
39	17M-71-21530	NUT	24	20001-
40	01643-22460	WASHER	24	20001-
41	17M-72-21160	EDGE	2	20001-
42	17M-71-21930	BIT,L.H.	1	20001-
43	195-71-52280	BOLT	14	20001-
44	17M-71-21530	NUT	14	20001-
45	01643-22460	WASHER	14	20001-
46	17M-71-21940	BIT,R.H.	1	20001-
47	(★09601-00835)	PLATE, NAME	1	20001-20245
48	04418-13060	SCREW	4	20001-20245

D275AX-5 S/N 20001-UP
00015395



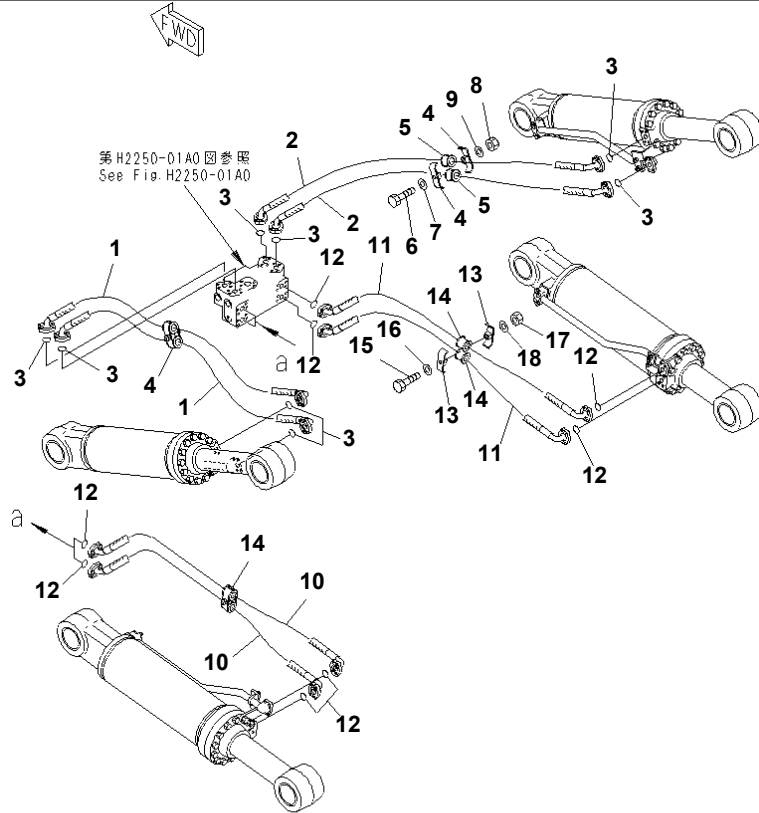
00015395

Ref. T2160-01A1A

Page 330280

D275AX-5 S/N 20001-UP
BLADE TILT PIPING (FOR DUAL TILT PITCH DOZER)(#20078-)

Item	Part No.	Part Name	Qty	Serial No.
1	17M-71-42231	HOSE	1	20001-
2	17M-71-42220	HOSE	1	20078-
3	20Y-62-22790	· BAND, RED	2	20078-
4	02896-11012	O-RING	4	20001-
5	17M-71-42421	HOSE	2	20001-
6	02896-11015	O-RING	4	20001-
7	17M-71-42231	HOSE	1	20001-
8	17M-71-42210	HOSE	1	20078-
9	20Y-62-22820	· BAND, BLUE	2	20078-
10	02896-11012	O-RING	4	20001-
11	17M-71-42421	HOSE	2	20001-
12	02896-11015	O-RING	4	20001-
13	195-71-62151	HANDLE	1	20001-
14	01010-61660	BOLT	4	20001-
15	01643-31645	WASHER	4	20001-



PW1D311

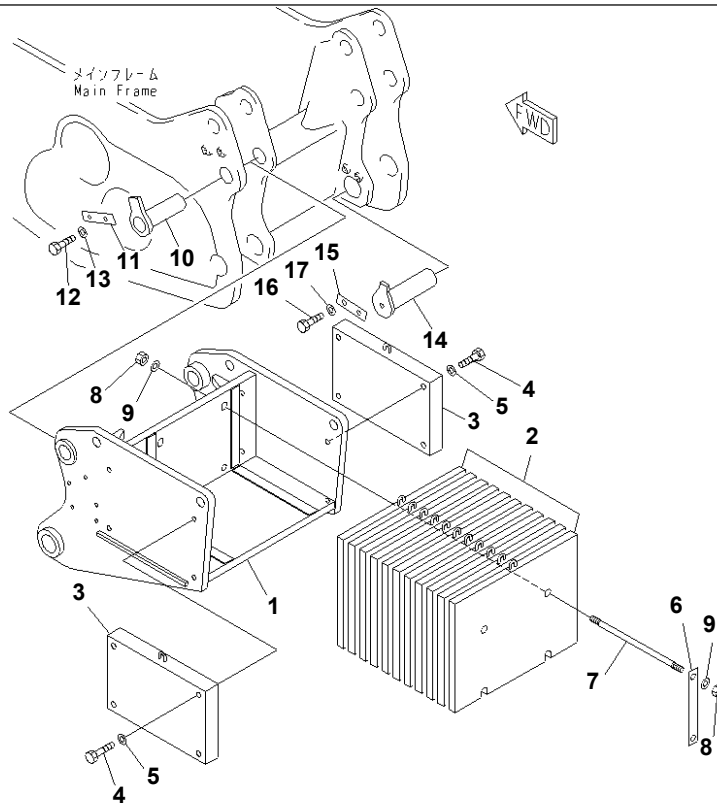
Ref. T2460-01A0

Page 330360

D275AX-5 S/N 20001-UP
RIPPER PIPING

Item	Part No.	Part Name	Qty	Serial No.
1	17M-61-46110	HOSE,L.H.	2	20001-
2	17M-61-46120	HOSE,R.H.	2	20001-
3	07000-13025	O-RING	8	20001-
4	07094-20620	CLAMP	4	20001-
5	07095-00628	CUSHION	4	20001-
6	01010-81270	BOLT	2	20001-
7	01643-31232	WASHER	2	20001-
8	01580-11210	NUT	2	20001-
9	01643-31232	WASHER	2	20001-
10	17M-61-46130	HOSE,L.H.	2	20001-
11	17M-61-46140	HOSE,R.H.	2	20001-
12	07000-13025	O-RING	8	20001-
13	07094-20620	CLAMP	4	20001-
14	07095-00628	CUSHION	4	20001-
15	01010-81270	BOLT	2	20001-
16	01643-31232	WASHER	2	20001-
17	01580-11210	NUT	2	20001-
18	01643-31232	WASHER	2	20001-

D275AX-5 S/N 20001-UP
00039828



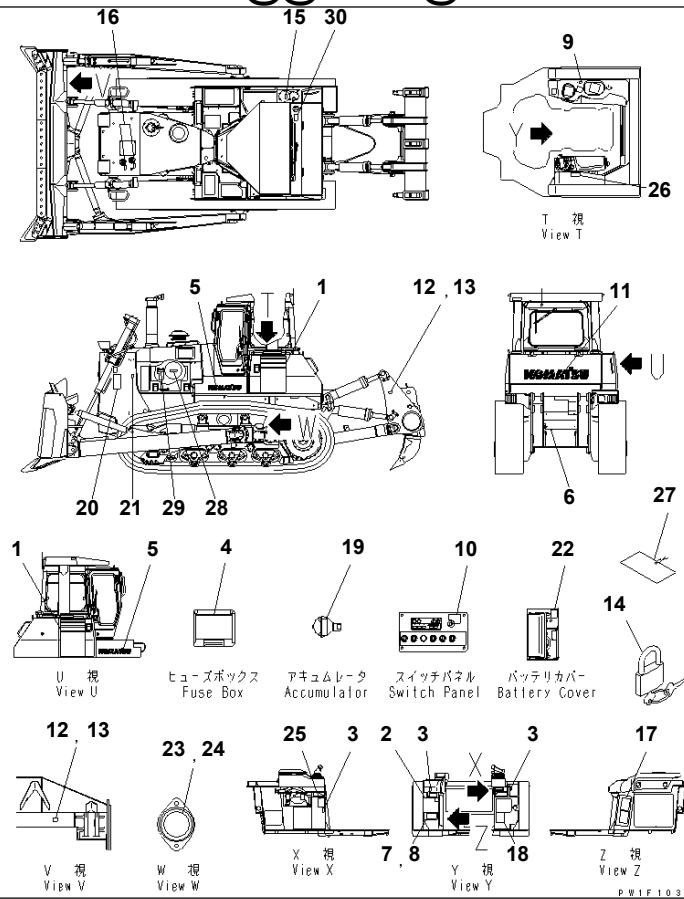
00039828

Ref. T2820-01A2

Page 330440

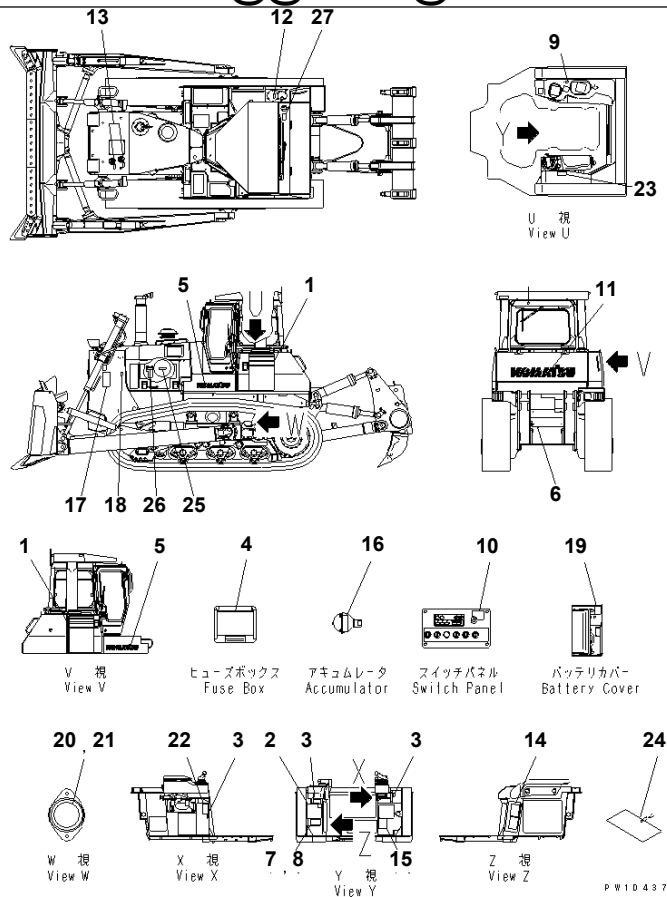
D275AX-5 S/N 20001-UP
LARGE COUNTER WEIGHT (FOR LANDFILL SPEC.)

Item	Part No.	Part Name	Qty	Serial No.
1	17M-69-41140	BRACKET	1	20001-
2	195-69-21220	WEIGHT	11	20001-
3	17M-69-41120	WEIGHT	2	20001-
4	01011-63050	BOLT	8	20001-
5	01643-33080	WASHER	8	20001-
6	198-69-11291	PLATE	2	20001-
7	195-69-22220	BOLT	4	20001-
8	01580-13024	NUT	6	20001-
9	01643-33080	WASHER	6	20001-
10	17M-78-11160	PIN	2	20001-
11	205-70-61560	PLATE	2	20001-
12	01010-62040	BOLT	4	20001-
13	01643-32060	WASHER	4	20001-
14	17M-78-11141	PIN	2	20001-
15	205-70-61560	PLATE	2	20001-
16	01010-62040	BOLT	4	20001-
17	01643-32060	WASHER	4	20001-



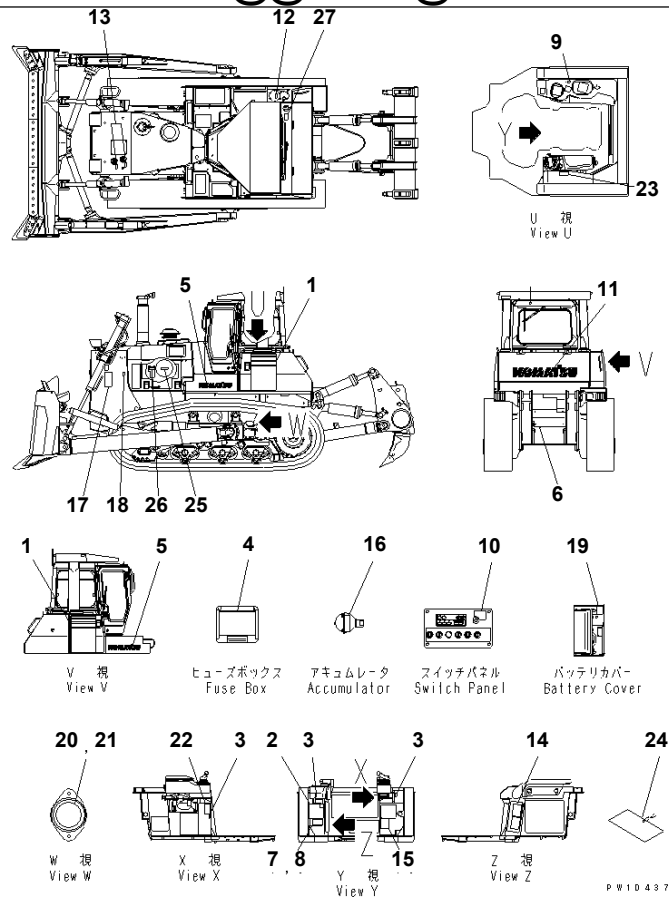
D275AX-5 S/N 20001-UP
MARKS AND PLATES (ENGLISH) (FOR EU) (WITH CAB)

Item	Part No.	Part Name	Qty	Serial No.
1	17M-98-41110	MARK	2	20001-
2	17M-98-41120	PLATE,OIL CHART	1	20001-
3	14X-98-11170	PLATE, OPERATING	3	20001-
4	17M-98-44230	PLATE	1	20265-
	195-98-36420	PLATE,FUSE	1	20001-20264
5	09690-P0710	PLATE, MARK	2	20001-
6	09690-M0063	PLATE, MARK	1	20001-
7	(★09602-00001)	PLATE, NAME	1	20074-
	(★09602-00000)	PLATE, NAME	1	20001-20073
8	04418-13060	SCREW	4	20001-
9	17A-98-11180	PLATE	1	20001-
10	195-98-22220	PLATE, MARK	1	20001-
11	09690-P1400	PLATE, MARK	1	20001-
12	(★09601-50000)	PLATE, NAME	2	20001-
13	04418-13060	SCREW	8	20001-
14	09460-00000	LOCK	1	20001-
15	09653-A0481	PLATE, SAFETY	1	20001-
16	09653-A0481	PLATE, SAFETY	2	20001-
17	09654-B0641	PLATE, SAFETY	1	20001-
18	09651-A0641	PLATE, SAFETY	1	20001-
19	09659-A057B	PLATE, SAFETY	1	20001-
20	09806-B1683	PLATE, SAFETY	2	20001-
21	09667-A0481	PLATE, SAFETY	2	20001-
22	09808-A0881	PLATE, SAFETY	1	20001-
23	195-98-22931	PLATE, CAUTION	2	20001-
24	01220-60408	SCREW	6	20001-
25	09802-13000	PLATE, SAFETY	1	20001-
26	09649-03012	PLATE, INSTRUCTION	1	20001-
27	09963-03001	TAG	1	20001-



D275AX-5 S/N 20001-UP
MARKS AND PLATES (PORTUGUESE) (WITH CAB)

Item	Part No.	Part Name	Qty	Serial No.
1	17M-98-41110	MARK	2	20001-
2	17M-98-41120	PLATE	1	20001-
3	14X-98-11170	PLATE, OPERATING	3	20001-
4	195-98-36420	PLATE	1	20001-
5	09690-P0710	PLATE, MARK	2	20001-
6	09690-M0063	PLATE, MARK	1	20001-
7	(★09602-10001)	PLATE, NAME	1	20001-
8	04418-13060	SCREW	4	20001-
9	17A-98-11180	PLATE	1	20001-
10	195-98-22220	PLATE, MARK	1	20001-
11	09690-P1400	PLATE, MARK	1	20001-
12	09653-A0481	PLATE, SAFETY	1	20001-
13	09653-A0481	PLATE, SAFETY	2	20001-
14	09654-B0641	PLATE, SAFETY	1	20001-
15	09651-A0641	PLATE, SAFETY	1	20001-
16	09659-A057B	PLATE, SAFETY	1	20001-
17	09806-B1683	PLATE, SAFETY	2	20001-
18	09667-A0481	PLATE, SAFETY	2	20001-
19	09808-A0881	PLATE, SAFETY	1	20001-
20	195-98-23420	PLATE, CAUTION	2	20001-
21	01220-60408	SCREW	6	20001-
22	09802-17000	PLATE, SAFETY	1	20001-
23	09649-07002	PLATE, INSTRUCTION	1	20001-
24	09963-07001	TAG	1	20001-
25	09637-50263	PLATE, INSTRUCTION	1	20001-
26	6217-71-6610	PLATE	1	20001-
27	09669-0000E	PLATE, CAUTION	1	20001-20259

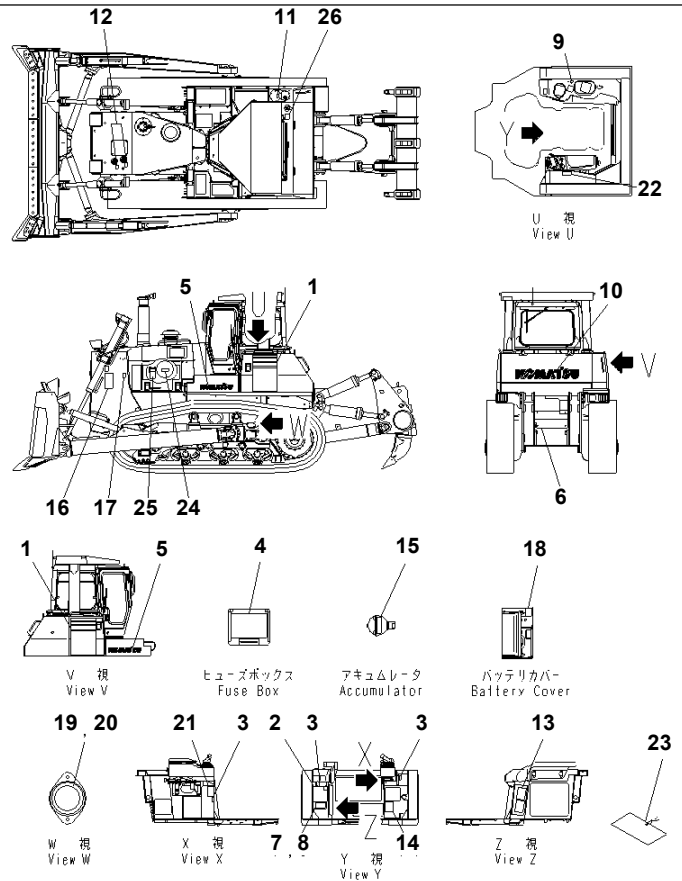


Ref. U0100-01C0

Page 360190

D275AX-5 S/N 20001-UP
MARKS AND PLATES (CHINA) (WITH CAB)

Item	Part No.	Part Name	Qty	Serial No.
1	17M-98-41110	MARK	2	20001-
2	17M-98-41120	PLATE,OIL CHART	1	20001-
3	14X-98-11170	PLATE, OPERATING,OPERATING LOCK	3	20001-
4	195-98-36420	PLATE,FUSE	1	20001-
5	09690-P0710	PLATE, MARK	2	20001-
6	09690-M0063	PLATE, MARK	1	20001-
7	(★09602-10001)	PLATE, NAME	1	20074-
	09602-10000	PLATE, NAME	1	20001-20073
8	04418-13060	SCREW	4	20001-
9	17A-98-11180	PLATE,HORN	1	20001-
10	195-98-22220	PLATE, MARK,KEY SWITCH	1	20001-
11	09690-P1400	PLATE, MARK	1	20001-
12	09653-A0481	PLATE, SAFETY,CAUTION OIL	1	20001-
13	09668-A0481	PLATE, SAFETY	2	20001-
14	09654-B0641	PLATE, SAFETY,CAUTION AFTER OPWRATING	1	20001-
15	09651-A0641	PLATE, SAFETY,CAUTION BEFORE OPERATING	1	20001-
16	09659-A057B	PLATE, SAFETY,ACCUMULATOR	1	20001-
17	09806-B1683	PLATE, SAFETY,DISTANCE	2	20001-
18	09667-A0481	PLATE, SAFETY,ROLLING THINGS	2	20001-
19	09808-A0881	PLATE, SAFETY,BATTERY CABLE	1	20001-
20	195-98-23381	PLATE,ADJUST OF TRACK TENSION	2	20001-
21	01220-60408	SCREW	6	20001-
22	09802-19000	PLATE, SAFETY,REAR	1	20001-
23	09649-09012	PLATE, INSTRUCTION,STOPPING THE ENGINE	1	20001-
24	09963-09001	TAG	1	20001-
25	09637-90263	PLATE, INSTRUCTION,AIR CLEANER	1	20001-
26	6217-71-6520	PLATE, CAUTION	1	20001-
27	09669-0000E	PLATE, CAUTION,FUEL	1	20074-20259
	17A-98-31370	PLATE	1	20008-20073



00031596

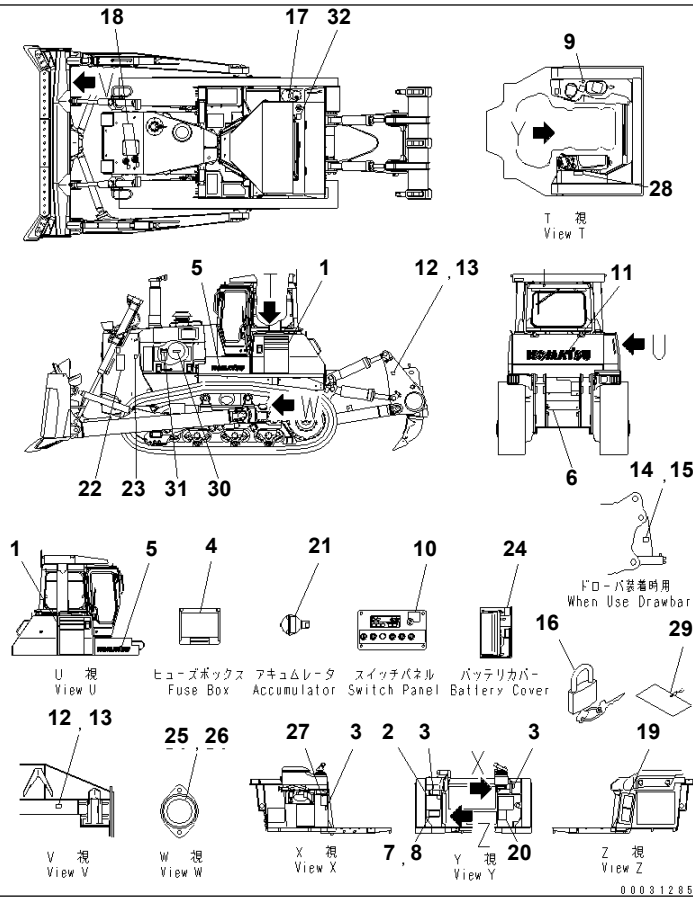
Ref. U0100-01D1

Page 360290

D275AX-5 S/N 2001-UP
MARKS AND PLATES (ENGLISH) (WITH ADDITIONAL FILTER) (CAB LESS)(#20164-)

Item	Part No.	Part Name	Qty	Serial No.
1	17M-98-41110	MARK	2	20164-
2	17M-98-43110	PLATE,OIL CHART	1	20164-
3	14X-98-11170	PLATE, OPERATING	3	20164-
4	17M-98-41220	PLATE,FUSE	1	20164-
5	09690-P0710	PLATE, MARK	2	20164-
6	09690-M0063	PLATE, MARK	1	20164-
7	(★09602-10001)	PLATE, NAME	1	20164-
8	04418-13060	SCREW	4	20164-
9	17A-98-11180	PLATE,HORN	1	20164-
10	09690-P1400	PLATE, MARK	1	20164-
11	09653-A0481	PLATE, SAFETY	1	20164-
12	09653-A0481	PLATE, SAFETY	2	20164-
13	09654-B0641	PLATE, SAFETY	1	20164-
14	09651-A0641	PLATE, SAFETY	1	20164-
15	09659-A057B	PLATE, SAFETY	1	20164-
16	09806-B1683	PLATE, SAFETY	2	20164-
17	09667-A0481	PLATE, SAFETY	2	20164-
18	09808-A0881	PLATE, SAFETY	1	20164-
19	195-98-22931	PLATE, CAUTION	2	20164-
20	01220-60408	SCREW	6	20164-
21	09802-13000	PLATE, SAFETY	1	20164-
22	09649-03012	PLATE, INSTRUCTION	1	20164-
23	09963-03001	TAG	1	20164-
24	09637-30163	PLATE, INSTRUCTION	1	20164-
25	6217-71-6470	PLATE, CAUTION	1	20164-
26	09669-0000E	PLATE, CAUTION	1	20164-20259

D275AX-5 S/N 2001-UP
00031285



Ref. U0100-01E0

Page 360380

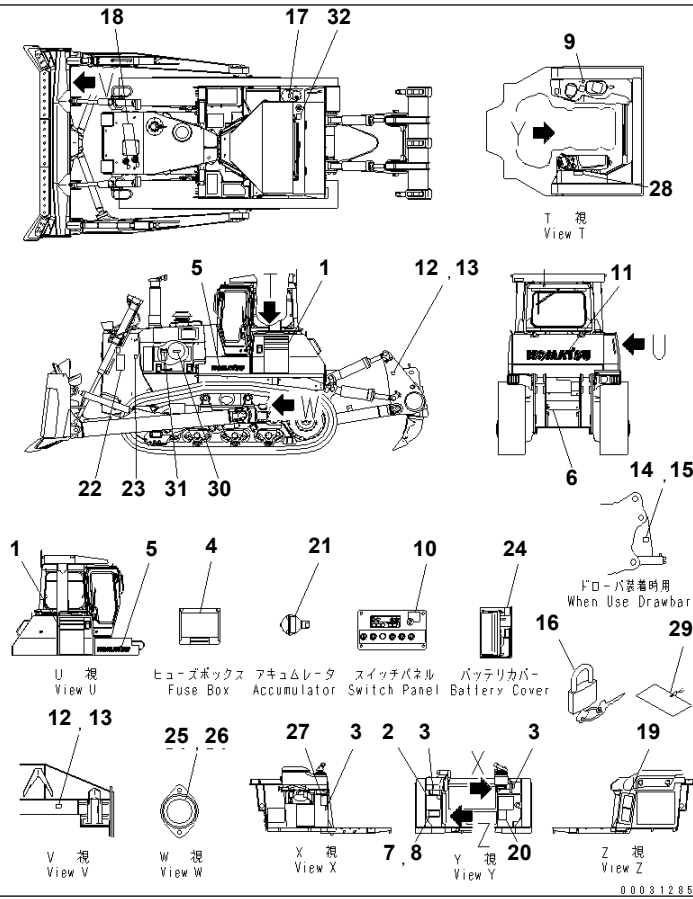
D275AX-5 S/N 2001-UP
MARKS AND PLATES (SPANISH) (FOR EU) (WITH ADDITIONAL FILTER)
(WITH CAB)(#20164-)

Item	Part No.	Part Name	Qty	Serial No.
1	17M-98-41110	MARK	2	20164-
2	17M-98-43110	PLATE,OIL CHART	1	20164-
3	14X-98-11170	PLATE, OPERATING	3	20164-
4	195-98-36420	PLATE,FUSE	1	20164-
5	09690-P0710	PLATE, MARK	2	20164-
6	09690-M0063	PLATE, MARK	1	20164-
7	(★09602-00001)	PLATE, NAME	1	20164-
8	04418-13060	SCREW	4	20164-
9	17A-98-11180	PLATE,HORN	1	20164-
10	195-98-22220	PLATE, MARK	1	20164-
11	09690-P1400	PLATE, MARK	1	20164-
12	(★09601-50000)	PLATE, NAME	2	20164-
13	04418-13060	SCREW	8	20164-
14	09823-00000	PLATE, NAME	1	20164-
15	04418-13060	SCREW	2	20164-
16	09460-00000	LOCK	1	20164-
17	09653-A0481	PLATE, SAFETY	1	20164-
18	09653-A0481	PLATE, SAFETY	2	20164-
19	09654-B0641	PLATE, SAFETY	1	20164-
20	09651-A0641	PLATE, SAFETY	1	20164-
21	09659-A057B	PLATE, SAFETY	1	20164-
22	09806-B1683	PLATE, SAFETY	2	20164-
23	09667-A0481	PLATE, SAFETY	2	20164-
24	09808-A0881	PLATE, SAFETY	1	20164-
25	195-98-22971	PLATE, CAUTION	2	20164-
26	01220-60408	SCREW	6	20164-
27	09802-11000	PLATE, SAFETY	1	20164-
28	09649-01012	PLATE, INSTRUCTION	1	20164-

Reference:U0100-01E0

Page:360380

D275AX-5 S/N 2001-UP
00031285



Ref. U0100-01E6

Page 360440

D275AX-5 S/N 2001-UP
MARKS AND PLATES (ESTONIAN) (FOR EU) (WITH ADDITIONAL FILTER)
(WITH CAB)(#20164-)

Item	Part No.	Part Name	Qty	Serial No.
1	17M-98-41110	MARK	2	20164-
2	17M-98-43110	PLATE,OIL CHART	1	20164-
3	14X-98-11170	PLATE, OPERATING	3	20164-
4	195-98-36420	PLATE,FUSE	1	20164-
5	09690-P0710	PLATE, MARK	2	20164-
6	09690-M0063	PLATE, MARK	1	20164-
7	(★09602-00001)	PLATE, NAME	1	20164-
8	04418-13060	SCREW	4	20164-
9	17A-98-11180	PLATE,HORN	1	20164-
10	195-98-22220	PLATE, MARK	1	20164-
11	09690-P1400	PLATE, MARK	1	20164-
12	(★09601-50000)	PLATE, NAME	2	20164-
13	04418-13060	SCREW	8	20164-
14	09823-00000	PLATE, NAME	1	20164-
15	04418-13060	SCREW	2	20164-
16	09460-00000	LOCK	1	20164-
17	09653-A0481	PLATE, SAFETY	1	20164-
18	09653-A0481	PLATE, SAFETY	2	20164-
19	09654-B0641	PLATE, SAFETY	1	20164-
20	09651-A0641	PLATE, SAFETY	1	20164-
21	09659-A057B	PLATE, SAFETY	1	20164-
22	09806-B1683	PLATE, SAFETY	2	20164-
23	09667-A0481	PLATE, SAFETY	2	20164-
24	09808-A0881	PLATE, SAFETY	1	20164-
25	195-98-23520	PLATE	2	20164-
26	01220-60408	SCREW	6	20164-
27	17A-98-23410	PLATE	1	20164-
28	17A-98-23420	PLATE	1	20164-

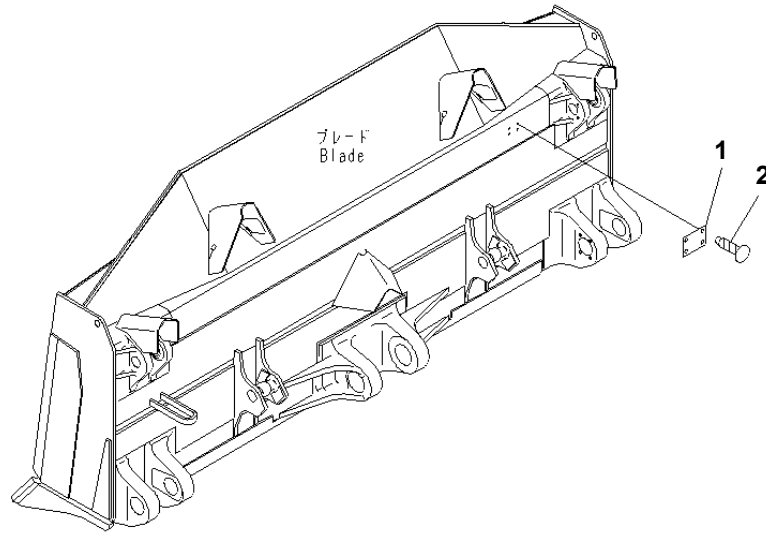
Reference:U0100-01E6

Page:360440

D275AX-5 S/N 20001-UP
MARKS AND PLATES (ESTONIA) (FOR EU) (WITH CAB)

Item	Part No.	Part Name	Qty	Serial No.
30	17A-98-23430	PLATE	1	20001-
31	6217-71-6810	PLATE	1	20001-
32	09669-0000E	PLATE, CAUTION	1	20001-20259

D275AX-5 S/N 2001-UP
00059458



00059458

Ref. U0640-01A1

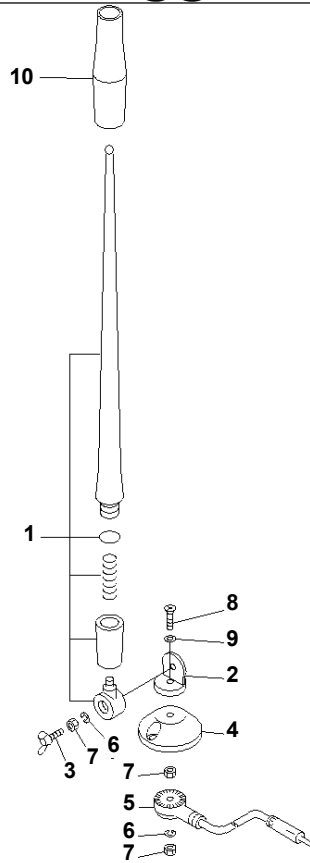
Page 360600

D275AX-5 S/N 2001-UP
PLATE (BLADE) (EU. SPEC.)(#20246-)

Item	Part No.	Part Name	Qty	Serial No.
1	(★09601-50000)	PLATE, NAME	1	20246-
2	04418-13060	SCREW	4	20246-

**D275AX-5 S/N 20001-UP
MISCELLANEOUS**

Item	Part Name	Qty
10	VANDALISM PROTECTION CAP	1



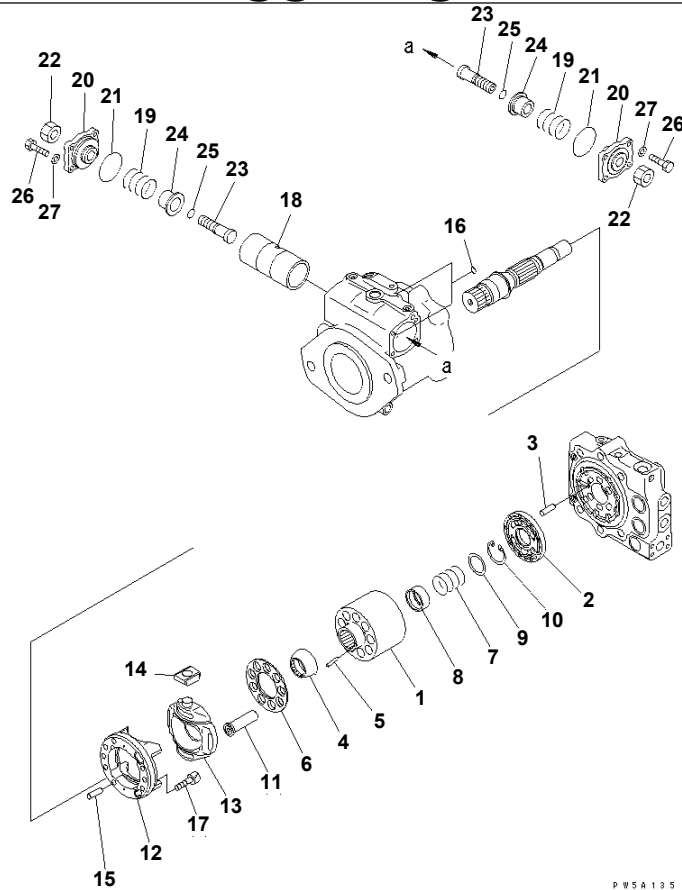
PW1F689

Ref. Y1062-01A0

Page 450060

D275AX-5 S/N 20001-UP
RUBBER ANTENNA

Item	Part No.	Part Name	Qty	Serial No.
	198-Z11-4610	RUBBER ANTENNA	1	20001-
1	EP72-540-901	· RUBBER ELEMENT ASS'Y	1	20001-
2	☆	· HOLDER	1	20001-
3	EP23-141-001	· WING BOLT	1	20001-
4	☆	· BASE	1	20001-
5	☆	· CORD ASS'Y	1	20001-
6	EP23-141-003	· SPRING WASHER	2	20001-
7	EP23-141-004	· NUT	3	20001-
8	☆	· SCREW	1	20001-
9	☆	· WASHER	1	20001-
10	☆	· TUBE	1	20001-



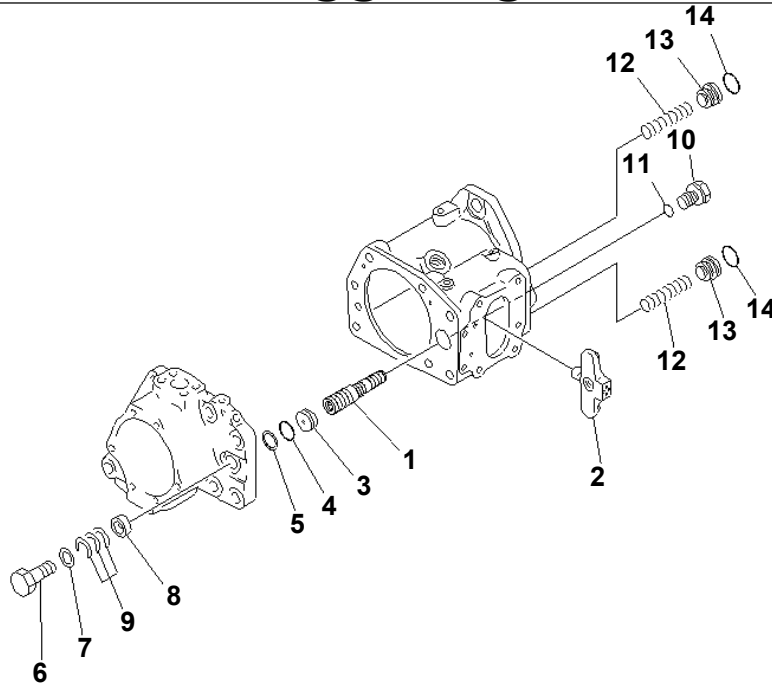
PWSA135

Ref. Y1600-02A0

Page 450140

D275AX-5 S/N 20001-UP
H.S.S. PUMP (2/5)

Item	Part No.	Part Name	Qty	Serial No.
	(708-1H-00021)	PUMP ASS'Y THIS ASSEMBLY CONSISTS OF ALL PARTS SHOWN IN FIGS.Y1600-01A0 TO Y1600-05A0.	1	20001-
	(708-1H-01021)	· PUMP SUB ASS'Y	1	20001-
	(★708-1H-04171)	· · BLOCK ASS'Y,REAR	1	20001-
1	☆	· · · BLOCK,CYLINDER	1	20001-
2	☆	· · · PLATE,VALVE	1	20001-
3	(★708-18-13230)	· · PIN	1	20001-
4	(★708-2H-23350)	· · GUIDE,RETAINER	1	20001-
5	(★708-2H-23360)	· · PIN	3	20001-
6	(★708-2H-33341)	· · RETAINER,SHOE	1	20001-
7	(★708-2H-33120)	· · SPRING	1	20001-
8	(★708-2H-23130)	· · SEAT	1	20001-
9	(★708-2H-23141)	· · SEAT	1	20001-
10	(★04065-05820)	· · RING	1	20001-
11	(★708-2H-33311)	· · PISTON SUB ASS'Y	9	20001-
	(★708-1H-04180)	· · CRADLE SUB ASS'Y	1	20001-
12	☆	· · · CRADLE	1	20001-
13	☆	· · · CAM,ROCKER	1	20001-
14	(★708-1H-14220)	· · SLIDER	1	20001-
15	(★04020-01434)	· · PIN	1	20001-
16	(★07000-B1009)	· · O-RING	2	20001-
17	(★01252-61235)	· · BOLT	6	20001-
18	(★708-1H-14210)	· · PISTON	1	20001-
19	(★708-27-14130)	· · SPRING	2	20001-
20	(★708-1H-14250)	· · CAP	2	20001-
21	07000-12075	· · O-RING	2	20001-
22	(★01583-12414)	· · NUT	2	20001-
23	(★708-1H-14260)	· · ROD	2	20001-



D275AX-5 S/N 20001-UP
WORK EQUIPMENT PUMP (3/8)

Item	Part No.	Part Name	Qty	Serial No.
	(708-1L-00300)	PUMP ASS'Y THIS ASSEMBLY CONSISTS OF ALL PARTS SHOWN IN FIGS.Y1600-11A0 TO Y1600-18A0.	1	20001-
	(708-1L-01310)	· PUMP SUB ASS'Y	1	20001-
1	(★708-1L-24130)	· · PISTON	1	20001-
2	(★708-2L-24122)	· · ROD	1	20001-
3	(★708-2L-24161)	· · STOPPER	1	20001-
4	(★708-2L-24920)	· · O-RING	1	20001-
5	(★07001-03025)	· · RING,BACK-UP	1	20001-
6	(★708-2L-24220)	· · BOLT	1	20001-
7	(★708-2L-24230)	· · WASHER	1	20001-
8	(★708-2L-24151)	· · SEAT	1	20001-
9	(★708-2L-05010)	· · SHIM KIT	1	20001-
	☆	· · · SHIM, 0.1MM	2	20001-
	☆	· · · SHIM, 0.2MM	2	20001-
	☆	· · · SHIM, 0.5MM	4	20001-
10	(★708-2L-24210)	· · SCREW	1	20001-
11	(★07002-62034)	· · O-RING	1	20001-
12	708-2L-24141	· · SPRING	2	20001-
13	708-2L-24131	· · PLUG	2	20001-
14	07000-13030	· · O-RING	2	20001-

D275AX-5 S/N 20001-UP
FAN PUMP (2/5)

Item	Part No.	Part Name	Qty	Serial No.
20	(★708-1S-14210)	· · PLUG	1	20001-
21	(★708-1S-14220)	· · PLUG	1	20001-
22	(★07002-11223)	· · O-RING	2	20001-
23	(★708-1S-14230)	· · PISTON SUB ASS'Y	1	20001-
24	(★708-1S-14241)	· · SPRING	1	20001-

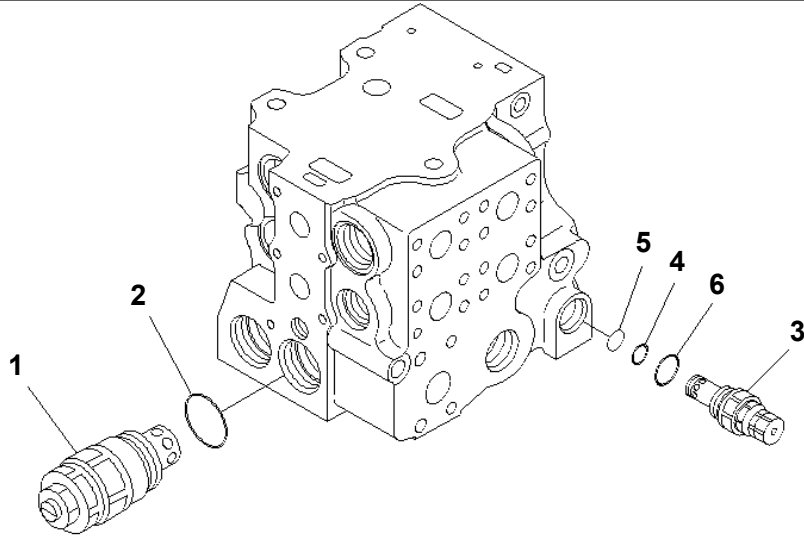
**D275AX-5 S/N 20001-UP
BLADE TILT CYLINDER**

Item	Part No.	Part Name	Qty	Serial No.
25	07000-13025	O-RING (KIT)	2	20001-
26	01010-80845	BOLT	4	20001-
27	01010-80840	BOLT	4	20001-
28	01643-50823	WASHER	8	20001-
29	707-88-34690	CLAMP	2	20001-
30	707-88-34700	SPACER	1	20001-
31	01010-81455	BOLT	1	20001-
32	01643-31445	WASHER	1	20001-
33	02896-11015	O-RING (KIT)	2	20001-
34	707-88-35280	COVER	1	20001-
35	01010-81640	BOLT	6	20001-
36	01643-31645	WASHER	6	20001-
		=====		
	707-99-66600	SERVICE KIT	1	20001-
	707-99-66600	SERVICE KIT,(DUAL TILT DOZER)	2	20001-

**D275AX-5 S/N 20001-UP
FAN MOTOR (2/2)**

Item	Part No.	Part Name	Qty	Serial No.
15	(★708-7L-13140)	· SEAT	2	20001-
16	(★708-8F-33160)	· SPRING	1	20081-
	(★708-8F-33150)	· SPRING	1	20001-20080
17	04065-04818	· RING,SNAP	1	20001-
18	(★708-8F-33350)	· GUIDE,RETAINER	1	20001-
19	(★708-2L-33350)	· RETAINER,SHOE	1	20081-
	(★708-8F-33340)	· RETAINER,SHOE	1	20001-20080
20	(★708-8F-33310)	· PISTON SUB ASS'Y	9	20001-
21	(★708-7L-13410)	· PLATE,THRUST	1	20001-

**D275AX-5 S/N 2001-UP
00027391**



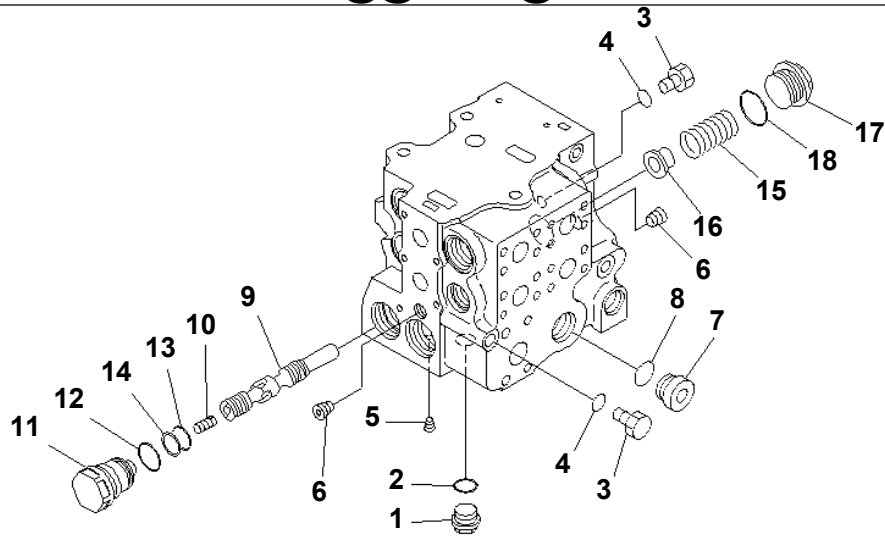
00027391

Ref. Y1664-05A0

Page 450480

**D275AX-5 S/N 2001-UP
CONTROL VALVE (4-SPOOL) (5/10)**

Item	Part No.	Part Name	Qty	Serial No.
	(723-64-22400)	CONTROL VALVE THIS ASSEMBLY CONSISTS OF ALL PARTS SHOWN IN FIGS.Y1664-01A0 TO Y1664-10A0.	1	20001-
1	723-60-24100	· VALVE ASS'Y,SUCTION AND SAFETY	1	20001-
2	07002-13634	· · O-RING	1	20001-
3	723-60-22500	· VALVE ASS'Y,RELIEF	1	20001-
4	700-80-64220	· · RING	1	20001-
5	700-22-11410	· · O-RING	1	20001-
6	07000-13024	· · O-RING	1	20001-



P W 5 J 2 8 8

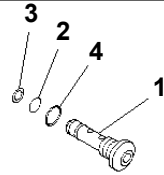
Ref. Y1665-02A0

Page 450550

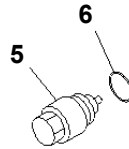
D275AX-5 S/N 20001-UP
CONTROL VALVE (5-SPOOL) (2/11)

Item	Part No.	Part Name	Qty	Serial No.
	(723-65-21300)	CONTROL VALVE THIS ASSEMBLY CONSISTS OF ALL PARTS SHOWN IN FIGS.Y1665-01A0 TO Y1665-11A0.	1	20001-
1	709-74-91860	• PLUG	1	20001-
2	07002-12434	• O-RING	1	20001-
3	07040-11409	• PLUG	2	20001-
4	07002-11423	• O-RING	2	20001-
5	708-21-12541	• PLUG	10	20001-
6	☆	• PLUG	2	20001-
7	07040-13316	• PLUG	1	20001-
8	07002-13334	• O-RING	1	20001-
9	☆	• SPOOL	1	20001-
10	☆	• PISTON	1	20001-
11	723-63-32570	• PLUG	1	20001-
12	07002-14234	• O-RING	1	20001-
13	07000-13032	• O-RING	1	20001-
14	07001-03032	• RING	1	20001-
15	723-63-32560	• SPRING	1	20001-
16	723-63-31540	• RETAINER	1	20001-
17	723-63-31550	• PLUG	1	20001-
18	07002-14234	• O-RING	1	20001-

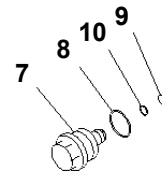
D275AX-5 S/N 2001-UP
00027396



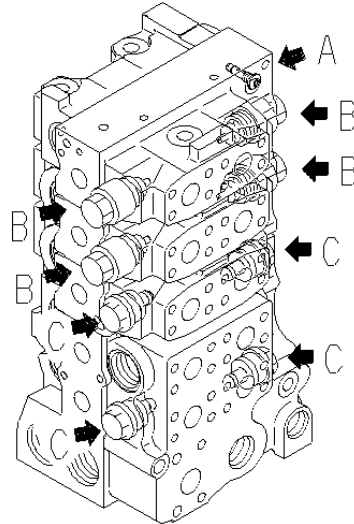
A 詳細
Detail A



B 詳細
Detail B



C 詳細
Detail C



00027396

Ref. Y1665-09A0

Page 450620

D275AX-5 S/N 2001-UP
CONTROL VALVE (5-SPOOL) (9/11)

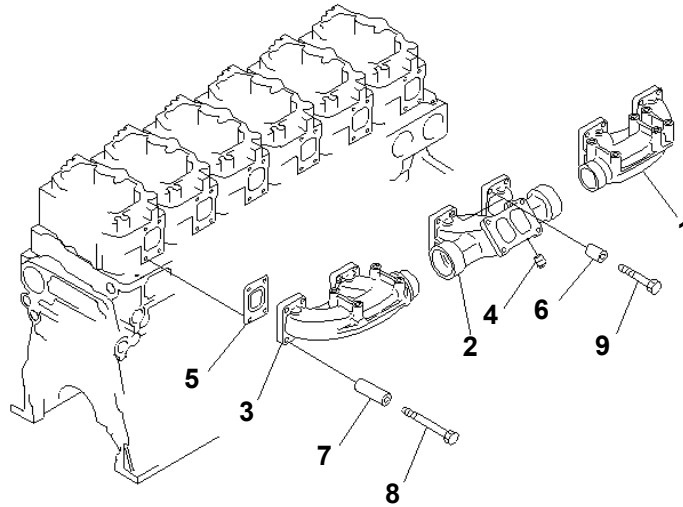
Item	Part No.	Part Name	Qty	Serial No.
	(723-65-21300)	CONTROL VALVE THIS ASSEMBLY CONSISTS OF ALL PARTS SHOWN IN FIGS.Y1665-01A0 TO Y1665-11A0.	1	20001-
	(723-61-21800)	· VALVE ASS'Y	1	20001-
1	723-60-23601	· · VALVE ASS'Y,CHECK	1	20001-
2	07000-11005	· · · O-RING	1	20001-
3	07001-01005	· · · RING,BACK-UP	1	20001-
4	07002-11023	· · · O-RING	1	20001-
5	723-40-85100	· VALVE ASS'Y,SUCTION	4	20001-
6	709-25-11390	· · O-RING	1	20001-
7	709-74-91510	· PLUG	4	20001-
8	709-25-11390	· O-RING	4	20001-
9	07000-11009	· O-RING	4	20001-
10	07001-01009	· RING,BACK-UP	4	20001-

SDA6D140E-3H-9 S/N 110003-UP
SDA6D140E-3H-9 S/N 110003-UP

Item	Part Name
AA	ENGINE

SDA6D140E-3H-9 S/N 110003-UP
AFTER COOLER WATER PIPING(#110578-)

Item	Part No.	Part Name	Qty	Serial No.
28	6217-61-6630	CONNECTOR	1	110578-
29	6212-61-6431	O-RING (K1)	2	110578-
30	6217-61-6640	GASKET (K1)	2	110578-
31	01435-01060	BOLT	2	110578-
32	07062-00000	VALVE	1	110578-



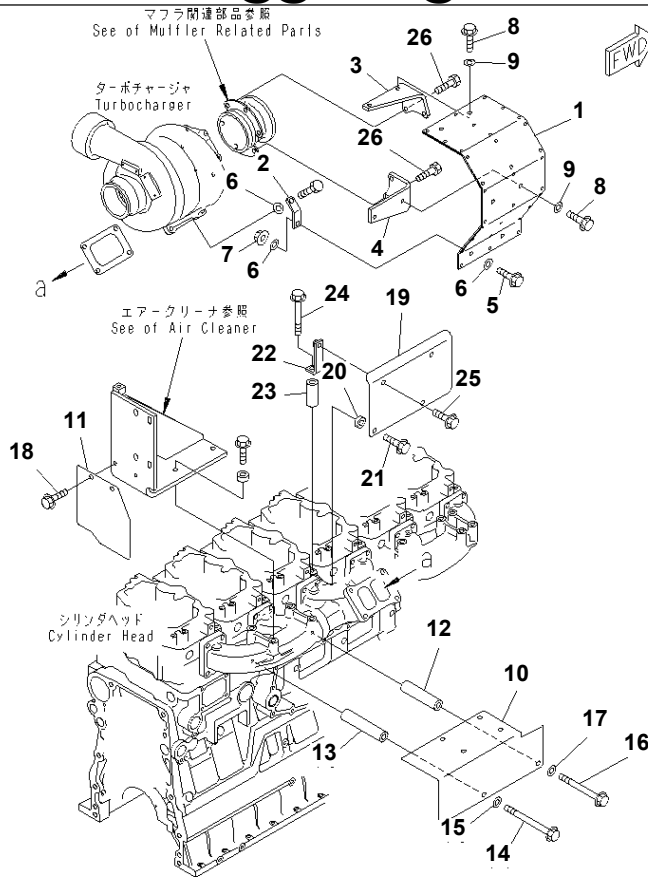
Ref. A1510-A4A2C

PJ6B888

Page 030120

SDA6D140E-3H-9 S/N 110003-UP
EXHAUST MANIFOLD(#110001-)

Item	Part No.	Part Name	Qty	Serial No.
1	6211-11-5141	MANIFOLD,FRONT	1	110001-
	(☒6211-11-5140)	MANIFOLD,FRONT	1	(110001-116170)
2	6211-11-5152	MANIFOLD,CENTER	1	110001-
3	6211-11-5161	MANIFOLD,REAR	1	110001-
	(☒6211-11-5160)	MANIFOLD,REAR	1	(110001-116170)
4	07042-20108	PLUG	1	110001-
5	6218-11-5880	GASKET (K1)	6	110001-
6	6210-11-5820	SPACER	2	110001-
7	6136-11-5120	SPACER	22	110001-
8	01011-E1000	BOLT	22	110001-
9	01010-E1055	BOLT	2	110001-



PJ8.D812

Ref. A1570-A4D8

Page 030180

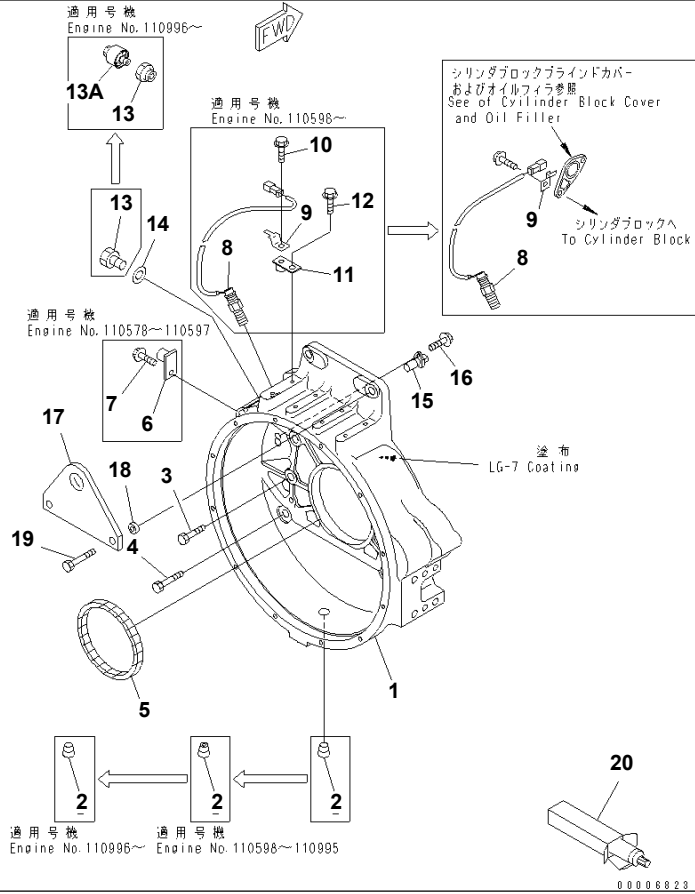
SDA6D140E-3H-9 S/N 110003-UP
HEAT SHIELD(#110578-)

Item	Part No.	Part Name	Qty	Serial No.
1	6218-11-9511	COVER	1	110598-
	□6218-11-9510	COVER	1	110578-110597
2	6217-11-9540	BRACKET	2	110578-
3	6218-11-9530	BRACKET	1	110578-
4	6218-11-9520	BRACKET	1	110578-
5	01435-01030	BOLT	2	110578-
6	01643-31032	WASHER	6	110578-
7	01584-01008	NUT	2	110578-
8	01435-01020	BOLT	4	110578-
9	01643-31032	WASHER	4	110578-
10	6217-11-9580	COVER	1	110578-
11	17A-01-21510	PLATE	1	110578-
	(☑6217-11-9530)	PLATE	1	(110578-112466)
12	6217-11-9690	SPACER	1	110578-
13	6152-11-9990	SPACER	1	110578-
14	01436-01060	BOLT	1	110578-
15	01643-31032	WASHER	1	110578-
16	01436-01040	BOLT	1	110578-
17	01643-31032	WASHER	1	110578-
18	01435-01020	BOLT	2	110578-
19	6218-11-4850	COVER	1	110578-
20	6152-51-5520	SPACER	2	110578-
21	01435-01025	BOLT	2	110578-
22	6218-11-4950	BRACKET	2	110578-
23	6211-11-9790	SPACER	2	110578-
24	01435-01090	BOLT	2	110578-
25	01435-01020	BOLT	2	110578-
26	01020-11025	BOLT	4	110578-

SDA6D140E-3H-9 S/N 110003-UP
CYLINDER BLOCK COVER AND OIL FILLER (WITH HEATER)(#110947-)

Item	Part No.	Part Name	Qty	Serial No.
28	6217-21-1210	BRACKET,UNDER FLAME	2	110947-
29	6217-21-1220	BRACKET,UNDER FLAME	1	110947-
30	01010-81050	BOLT	12	110947-
31	01643-31032	WASHER	12	110947-
32	6210-21-1950	FLANGE	1	110947-
33	6696-61-9921	GASKET (K2)	1	110947-
34	01435-01225	BOLT	2	110947-
35	6217-21-1880	COVER	1	110947-
36	6217-21-1890	COVER	1	110947-
37	01435-01020	BOLT	2	110947-
38	01435-01025	BOLT	2	110947-
39	07000-73040	O-RING (K2)	2	110947-
40	6217-21-1940	COVER	3	110947-
41	6218-21-1940	COVER	1	110947-
42	6215-61-6630	O-RING (K2)	4	118546-
	07000-73025	O-RING (K2)	4	110947-118545
43	01435-01020	BOLT	4	110947-
44	07043-00617	PLUG	3	110947-
45	(09920-00150)	LIQUID GASKET,LG-7, 150G	AR	110947-

SDA6D140E-3H-9 S/N 110003-UP
00006823

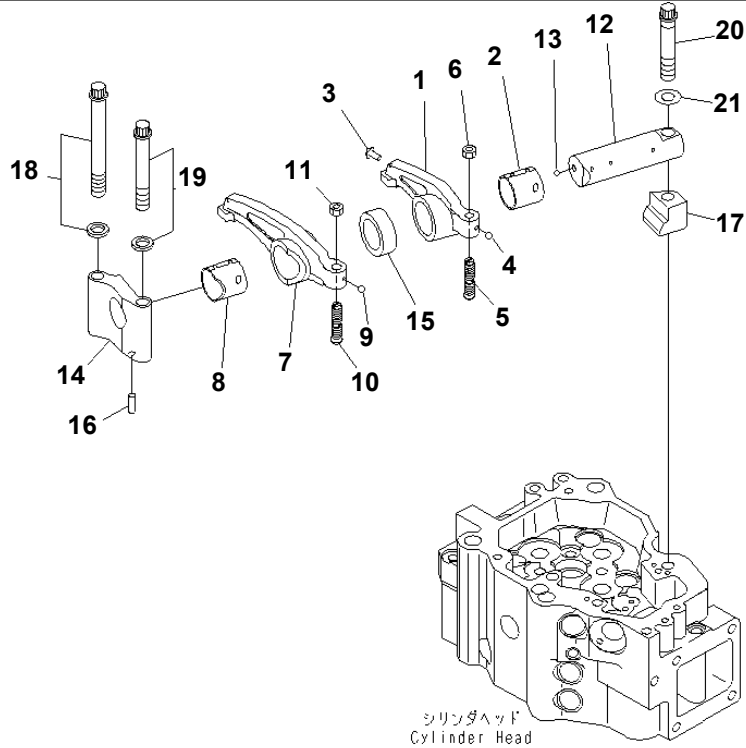


Ref. A2210-A4G2

Page 030330

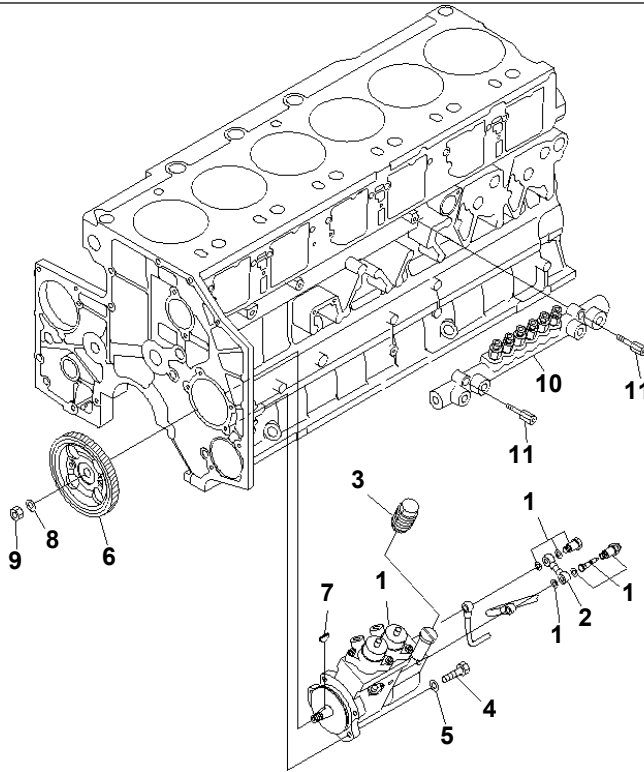
SDA6D140E-3H-9 S/N 110003-UP
FLYWHEEL HOUSING(#110578-)

Item	Part No.	Part Name	Qty	Serial No.
1	6217-21-4741	HOUSING,FLYWHEEL	1	110578-
2	07043-A0617	PLUG	1	110996-
	□232-15-12790	PLUG	1	110598-110995
	□07043-A0617	PLUG	1	110578-110597
3	01010-61650	BOLT	6	110578-
4	01010-61665	BOLT	2	110578-
5	6151-21-4150	SEAL, REAR (K2)	1	110578-
6	6217-21-4810	PLATE	1	110578-110597
7	01435-01020	BOLT	1	110578-110597
8	7861-93-2330	SENSOR,REVOLUTION	1	110578-
9	08193-20010	CLIP	1	110578-
10	01435-01016	BOLT	1	110578-110597
11	426-06-11570	BRACKET	1	110578-110597
12	01435-01020	BOLT	1	110578-110597
13	6151-21-4960	PLUG	1	110996-
	□6114-11-8910	PLUG	1	110578-110995
13A	07030-00252	BREATHER	1	110996-
14	07005-02216	GASKET (K2)	1	110578-
15	6217-81-9210	SENSOR,REVOLUTION	1	110578-
16	01435-00612	BOLT	1	110578-
17	6218-21-4730	PLATE	1	110578-
18	202-966-1930	WASHER	2	110578-
19	01010-61670	BOLT	2	110578-
20	(09920-00150)	LIQUID GASKET,LG-7, 150G AR	AR	110578-



SDA6D140E-3H-9 S/N 110003-UP
ROCKER ARM(#110001-)

Item	Part No.	Part Name	Qty	Serial No.
	6217-41-5040	ROCKER ARM ASS'Y	6	110001-
	6217-41-5400	· ARM ASS'Y	1	110001-
1	☆	· · ARM,INTAKE	1	110001-
2	6217-41-5420	· · BUSHING	1	110001-
3	6162-43-5340	· · RIVET	1	110001-
4	04260-00317	· · BALL	1	110001-
5	6217-41-5550	· SCREW	1	110001-
6	01582-01008	· NUT	1	110001-
	6217-41-5050	ROCKER ARM ASS'Y	6	110001-
	6217-41-5500	· ARM ASS'Y	1	110001-
7	☆	· · ARM,EXHAUST	1	110001-
8	6217-41-5520	· · BUSHING	1	110001-
9	04260-00317	· · BALL	1	110001-
10	6217-41-5550	· SCREW	1	110001-
11	01582-01008	· NUT	1	110001-
	6217-41-5300	SHAFT ASS'Y,ARM	6	110001-
12	☆	· SHAFT	1	110001-
13	04260-00635	· BALL	1	110001-
14	6217-41-5530	BRACKET	1	110001-
15	6210-41-5440	COLLAR	1	110001-
16	04020-00514	PIN,DOWEL	18	110001-
17	6217-41-5540	SPACER	6	110001-
18	6217-41-5570	BOLT	6	110001-
19	6217-41-5560	BOLT	6	110001-
20	6217-81-8311	BOLT	6	110001-
21	01643-51232	WASHER	6	110001-



00092468

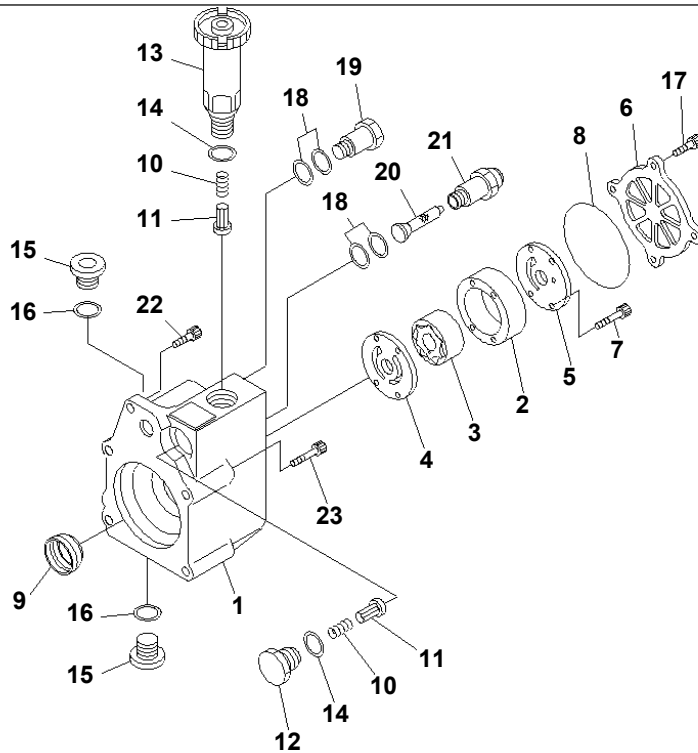
Ref. A4010-A4N4

Page 030500

SDA6D140E-3H-9 S/N 110003-UP
FUEL SUPPLY PUMP AND COMMON RAIL MOUNTING (LOW-VISCOSITY FUEL SPEC.) (REGULATION OF EPA AND EU 2ND)(#111648-)

Item	Part No.	Part Name	Qty	Serial No.
1	6218-71-1132	FUEL PUMP ASS'Y	1	119489-
	(□6218-71-1131)	FUEL PUMP ASS'Y,(SEE FIG.A4010-C4N4)	1	111648-119488
	(☒6218-71-1130)	FUEL PUMP ASS'Y,(SEE FIG.A4010-C4N4)	1	(111648-113902)
2	6217-71-5910	TUBE	1	111648-
3	6217-71-1910	COVER	1	111648-
4	01010-81035	BOLT	4	111648-
5	01643-31032	WASHER	4	111648-
6	6217-71-3220	GEAR,PUMP DRIVE	1	111648-
7	04010-00519	KEY	1	111648-
8	01643-32060	WASHER	1	111648-
9	01583-02012	NUT	1	111648-
10	(6217-71-1211)	RAIL ASS'Y,(SEE FIG.A4010-E4N4)	1	111648-
11	6217-71-5251	BOLT	2	111648-

SDA6D140E-3H-9 S/N 110003-UP
00006830



00006830

Ref. A4010-D4N4

Page 030560

SDA6D140E-3H-9 S/N 110003-UP
**FUEL SUPPLY PUMP (FEED PUMP) (LOW-VISCOSITY FUEL SPEC.)
(REGULATION OF EPA AND EU 2ND) (INNER PARTS)(#111648-)**

Item	Part No.	Part Name	Qty	Serial No.
	(6218-71-1131)	FUEL PUMP ASS'Y	1	111648-
	(☒6218-71-1130)	FUEL PUMP ASS'Y	1	(111648-113902)
		THESE ASSEMBLIES CONSIST OF ALL PARTS SHOWN IN FIGS.A4010-C4N4 AND A4010-D4N4.		
	(★ND094200-0330)	· FEED PUMP ASS'Y	1	111648-
1	(★ND094210-0090)	· · HOUSING ASS'Y	1	111648-
2	(★ND094231-0050)	· · CASING	1	111648-
3	(★ND094230-0070)	· · PUMP SUB ASS'Y	1	111648-
4	(★ND094241-0050)	· · PLATE	1	111648-
5	(★ND094244-0050)	· · PLATE	1	111648-
6	(★ND094251-0050)	· · COVER	1	111648-
7	(★ND094082-0040)	· · SCREW	4	111648-
8	(★ND094086-0200)	· · O-RING	1	111648-
9	(★ND094087-0050)	· · SEAL,OIL	1	111648-
10	ND092124-0010	· · SPRING,CHECK VALVE	2	111648-
11	ND092121-0011	· · VALVE,CHECK	2	111648-
12	(★ND092126-0010)	· · PLUG,CHAMBER	1	111648-
13	ND092130-0360	· · PRIMING PUMP	1	111648-
14	ND092125-0010	· · GASKET	2	111648-
15	(★ND090317-0060)	· · PLUG,SCREW	2	111648-
16	(★ND949018-1500)	· · WASHER, 1MM	2	111648-
17	(★ND949044-3320)	· · BOLT	4	111648-
18	ND090222-0070	· · WASHER	6	111648-
19	ND090310-0490	· · VALVE,OVERFLOW	1	111648-
20	ND092220-0040	· · FILTER	1	111648-
21	ND092223-0042	· · SCREW	1	111648-
22	(★ND949044-3320)	· BOLT	1	111648-
23	ND096449-0070	· BOLT,SOCKET	4	111648-

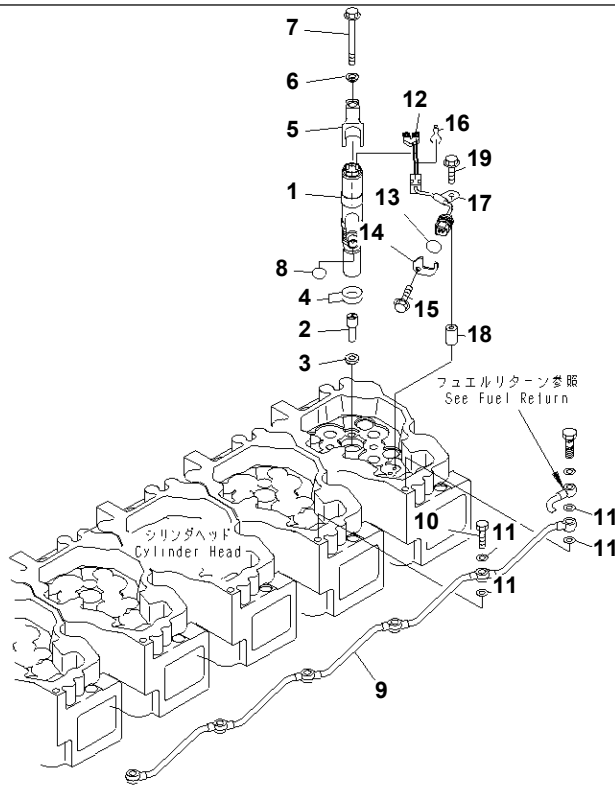
Reference:A4010-D4N4

Page:030560

SDA6D140E-3H-9 S/N 110003-UP
FUEL FILTER (POOR FUEL ARRANGEMENT SPEC.) (THREAD
1-1/4)(#111791-114123)

Item	Part No.	Part Name	Qty	Serial No.
25	04434-52511	CLIP	1	111791-114123
26	07095-30318	CUSHION	1	111791-114123
27	6136-11-2980	SPACER	1	111791-114123
28	04434-51010	CLIP	1	111791-114123
29	6206-11-4590	SPACER	1	111791-114123
30	01435-01045	BOLT	1	111791-114123

SDA6D140E-3H-9 S/N 110003-UP
00025295



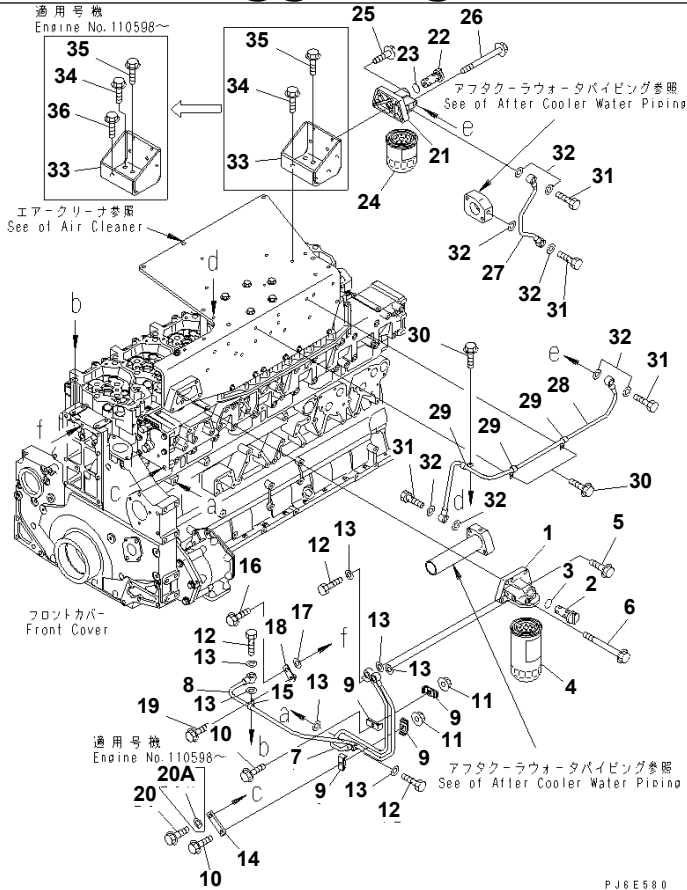
00025295

Ref. A4210-A4E9

Page 030700

SDA6D140E-3H-9 S/N 110003-UP
FUEL INJECTOR(#110001-)

Item	Part No.	Part Name	Qty	Serial No.
	6218-11-3101	INJECTOR ASS'Y	6	111170-
	□6218-11-3100	INJECTOR ASS'Y	6	110001-111169
1	☆	・ HOLDER	1	110001-
2	6218-11-3121	・ NOZZLE	1	111170-
	□6218-11-3120	・ NOZZLE	1	110001-111169
3	6217-71-6112	GASKET	6	111878-
	◆6217-71-6111	GASKET	6	110001-111877
	(☒6217-71-6110)	GASKET (K1)	6	(110001-111169)
4	6219-71-1150	GASKET	12	119274-
	07000-E2020	O-RING (K1)	12	110001-119273
5	6217-71-1161	HOLDER	6	110001-
6	6217-71-1140	WASHER	6	110001-
7	01437-01070	BOLT	6	110001-
8	6219-71-1160	GASKET	6	119274-
	07000-E2011	O-RING (K1)	6	110001-119273
9	6217-71-7110	TUBE	1	110001-
10	07206-30710	BOLT,JOINT	5	110001-
11	07005-01012	GASKET (K1)	12	110001-
12	6217-81-9252	WIRING HARNESS	6	111718-
	□6217-81-9251	HARNESS	6	110016-111717
	□6217-81-9250	HARNESS	6	110001-110015
13	07000-E2018	O-RING (K1)	6	110001-
14	6217-71-5320	PLATE	6	110001-
15	01435-00610	BOLT	6	110001-
16	6217-71-5340	CLAMP	6	110001-
17	6217-71-1150	CLAMP	6	110001-
18	6217-71-1170	SPACER	6	110001-
19	01435-00635	BOLT	6	110001-



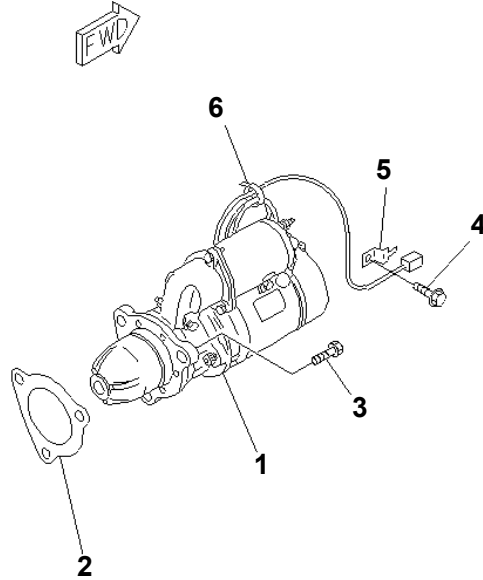
PJ8E580

Ref. A5210-A4F9

Page 030770

SDA6D140E-3H-9 S/N 110003-UP
CORROSION RESISTOR(#110578-)

Item	Part No.	Part Name	Qty	Serial No.
	6217-61-8170	RESISTOR ASS'Y,CORROSION	1	110578-
	6217-61-8231	・ HEAD ASS'Y	1	115947-
	□6217-61-8230	・ HEAD ASS'Y	1	110578-115946
1	☆	・ ・ HEAD,CORROSION	1	115947-
	☆	・ ・ HEAD,CORROSION	1	110578-115946
2	6217-61-8221	・ ・ VALVE	1	115947-
	□6217-61-8220	・ ・ VALVE	1	110578-115946
3	07000-A2021	・ ・ O-RING	1	110578-
4	600-411-1161	・ CARTRIDGE	1	110578-
5	01435-01035	BOLT	4	110578-
6	01436-01000	BOLT	1	110578-
7	6218-61-8650	TUBE	1	110578-
8	6218-61-8660	TUBE	1	110578-
9	6166-75-6821	CLAMP	4	119333-
	6166-75-6820	CLAMP	4	110578-119332
10	01435-00835	BOLT	2	110578-
11	01584-00806	NUT	2	110578-
12	07206-31014	BOLT,JOINT	4	110578-
13	07005-01412	GASKET (K2)	8	110578-
14	6212-11-4780	PLATE	1	114412-
	□6151-11-8470	PLATE	1	110578-114411
15	04434-51010	CLIP	1	110578-
16	01435-01025	BOLT	1	110578-
17	6685-11-5230	WASHER	1	110578-
18	426-01-11310	BRACKET	1	110578-
19	01435-01016	BOLT	1	110578-
20	01435-01030	BOLT	1	118727-
	01435-01035	BOLT	1	110578-118726
20A	01643-31032	WASHER	1	110598-



P V 6 B 7 1 8

Ref. A6210-A4C7

Page 030900

SDA6D140E-3H-9 S/N 110003-UP
 STARTING MOTOR MOUNTING (11KW)(#110001-)

Item	Part No.	Part Name	Qty	Serial No.
1	(600-813-9322)	STARTING MOTOR ASS'Y,(11KW) (SEE FIG.A6210-C4C7)	1	111450-
	(□600-813-9321)	STARTING MOTOR ASS'Y,(11KW) (SEE FIG.A6210-B4C7)	1	110001-111449
2	6221-81-6810	GASKET (K2)	1	110001-
3	01010-61640	BOLT	3	110001-
4	01435-01016	BOLT	1	110001-
5	08193-20010	CLIP	1	110001-
6	08034-20519	BAND	1	110001-

CLICK HERE TO **DOWNLOAD** THE COMPLETE MANUAL

- Thank you very much for reading the preview of the manual.
- You can download the complete manual from: www.heydownloads.com by clicking the link below



- Please note: If there is no response to CLICKING the link, please download this PDF first and then click on it.

CLICK HERE TO **DOWNLOAD** THE COMPLETE MANUAL