

**ISEKI**

# Parts Catalogue



Model

**TF325**

TF325F

TF325FH

MDUE41, MDUE42

MUE41, MUE42

Type  
of Machine

**TRACTOR**

CLICK HERE TO **DOWNLOAD** THE COMPLETE MANUAL

- Thank you very much for reading the preview of the manual.
- You can download the complete manual from: [www.heydownloads.com](http://www.heydownloads.com) by clicking the link below



- Please note: If there is no response to CLICKING the link, please download this PDF first and then click on it.

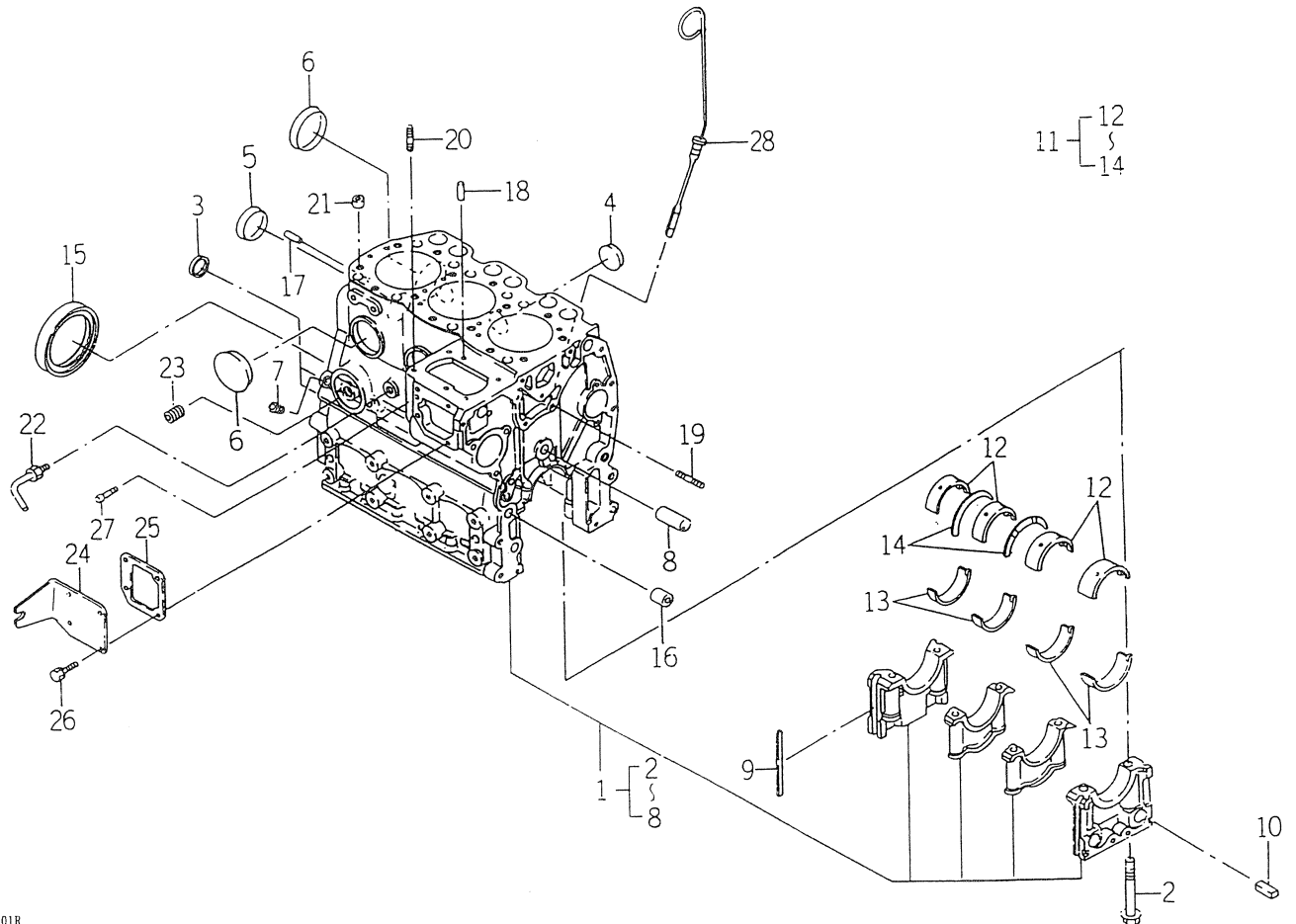
CLICK HERE TO **DOWNLOAD** THE COMPLETE MANUAL

## CONTENTS

### CHASSIS

RADIATOR SYSTEM (MDU TYPE) .....	Fig. 1
RADIATOR (HST) SYSTEM (MU TYPE) .....	Fig. 2
MUFFLER SYSTEM .....	Fig. 3
AIR CLEANER SYSTEM .....	Fig. 4
ELEMENT (AIR CLEANER/DOUBLE) SYSTEM (OPTION) .....	Fig. 5
FILTER SYSTEM .....	Fig. 6
FUEL TANK SYSTEM .....	Fig. 7
BATTERY SYSTEM .....	Fig. 8
LEVER (ACCELL) /PEDAL (ACCELL) SYSTEM (MDU TYPE) .....	Fig. 9
LEVER (ACCELL) SYSTEM (MU TYPE) .....	Fig. 10
MAIN CLUTCH SYSTEM (MU TYPE) .....	Fig. 11
DUAL CLUTCH SYSTEM (MDU TYPE) .....	Fig. 12
INPUT GEAR SYSTEM .....	Fig. 13
COUNTER GEAR SYSTEM (MDU TYPE) .....	Fig. 14
DRIVE GEAR (HST) /PTO DRIVE GEAR SYSTEM .....	Fig. 15
SPACER SYSTEM (MDU TYPE) .....	Fig. 16
SPACER (HST) SYSTEM (MU TYPE) .....	Fig. 17
CLUTCH SHAFT SYSTEM .....	Fig. 18
PEDAL (CLUTCH) SYSTEM (MDU TYPE) .....	Fig. 19
PEDAL (CLUTCH/S) SYSTEM (MU TYPE) .....	Fig. 20
FRONT MISSION CASE (HST) SYSTEM (MU TYPE) .....	Fig. 21
FRONT MISSION CASE SYSTEM (MDU TYPE) .....	Fig. 22
HST UNIT/INPUT GEAR (HST) SYSTEM (MU TYPE) .....	Fig. 23
INPUT GEAR (G) SYSTEM (MDU TYPE) .....	Fig. 24
MAIN CHANGE GEAR SYSTEM (MDU TYPE) .....	Fig. 25
MAIN COUNTER GEAR SYSTEM (MDU TYPE) .....	Fig. 26
SUB COUNTER GEAR/SUBCHANGE GEAR SYSTEM (MDU TYPE) .....	Fig. 27
SUB COUNTER GEAR (HST) SYSTEM (MU TYPE) .....	Fig. 28
BACK GEAR/CREEP COVER SYSTEM (MDU TYPE) .....	Fig. 29
MAIN CHANGE SYSTEM (MDU TYPE) .....	Fig. 30

FIG. 5 CYLINDER BLOCK

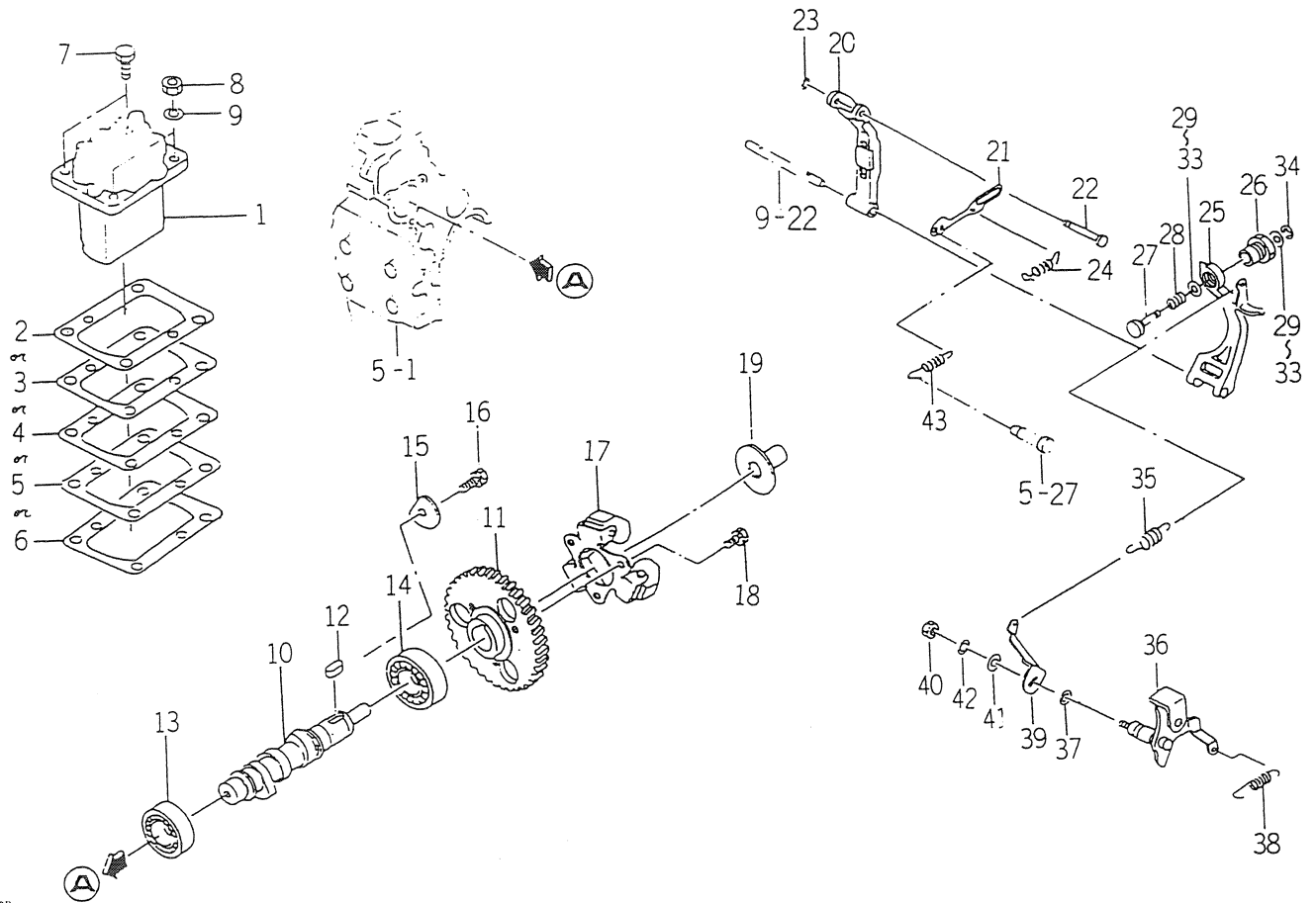


6005-201R

KEY	PART CODE	DESCRIPTION	QTY	TYPE OF MODEL		I T C	C O L	G R P	REMARKS
				E3CEB 04					
1	6211 - 210 - 031 - 50	CYLINDERBLOCK ASSY	1	*					
2	6209 - 000 - 006 - 00	BOLT	8	*					
3	6911 - 129 - 081 - 00	CAP,SEALING	2	*					
4	6209 - 610 - 001 - 00	CAP,SEALING	2	*					
5	6911 - 219 - 195 - 00	CAP,SEALING	1	*					
6	6209 - 610 - 003 - 00	CUP/SEALING/50	3	*					
7	6509 - 605 - 019 - 10	PLUG	7	*					
8	6212 - 531 - 005 - 00	PIN,IDLE GEAR	1	*					
9	6211 - 258 - 001 - 00	SEAL,BEARING CAP	4	*					
10	6211 - 258 - 002 - 00	SEAL,BEARING CAP/7	2	*					
11	6211 - 510 - 008 - 00	BEARING/CRANK SET	1	*					
12	6211 - 511 - 007 - 00	BEARING/CRANK/UPPER	4	*					
13	6211 - 511 - 008 - 00	BEARING/CRANK/LOWER	4	*					
14	6211 - 599 - 004 - 00	BEARING/THRUST/CRANK	2	*					
15	6209 - 625 - 003 - 10	OILSEAL	1	*					
16	6209 - 749 - 001 - 10	PIN,TUBE	2	*					
17	6908 - 160 - 816 - 00	PIN	2	*					
18	6908 - 160 - 612 - 00	PIN/STRIANER	2	*					
19	6904 - 110 - 840 - 00	STUD/M8X40	1	*					
20	6904 - 110 - 822 - 00	STUD	3	*					
21	6894 - 453 - 344 - 00	DOWEL	2	*					
22	6513 - 721 - 043 - 00	PIPE,WATER DRAIN	1	*					
23	6213 - 319 - 001 - 00	CONNECTOR,OIL FILTER	1	*					
24	6211 - 291 - 013 - 00	COVER/INJECTIONPUMP	1	*					
25	6211 - 292 - 001 - 20	GASKET/COVER	1	*					



FIG. 20 INJECTION PUMP



6005-510F

KEY	PART CODE	DESCRIPTION	QTY	TYPE OF MODEL		I T C	C O L	G R P	REMARKS
				E3CEB 04					
26	6215 - 549 - 028 - 00	CASE/ADAPTER	1	*					
27	6215 - 549 - 027 - 10	PIN/ADAPTER	1	*					
28	6215 - 549 - 034 - 00	SPRING/ADAPTER	1	*					
29	6215 - 549 - 006 - 00	SHIM,ADAPTER	2	*					
30	6215 - 549 - 009 - 00	SHIM,ADAPTER	2	*					
31	6215 - 549 - 010 - 00	SHIM,ADAPTER	2	*					
32	6215 - 549 - 023 - 00	SHIM/ADAPTER	1	*					
33	6215 - 549 - 024 - 00	SHIM/ADAPTER	1	*					
34	V710 - 140 - 004 - 00	RING,SNAP/ 4 E	1	*					
35	6215 - 531 - 006 - 10	SPRING/GOVERNOR	1	*					
36	6215 - 541 - 022 - 10	LEVER/CONTROL COMP	1	*					
37	V720 - 101 - 900 - 80	O - RING/P 8	1	*					
38	6209 - 580 - 002 - 10	SPRING,RETURN	1	*					
39	6215 - 549 - 007 - 00	ARM,CONTROL	1	*					
40	6909 - 110 - 406 - 00	NUT	1	*					
41	V411 - 260 - 006 - 00	WASHER / M6	1	*					
42	6909 - 150 - 506 - 00	WASHER,SP/M6	1	*					
43	6215 - 549 - 012 - 00	SPRING,STARTING	1	*					





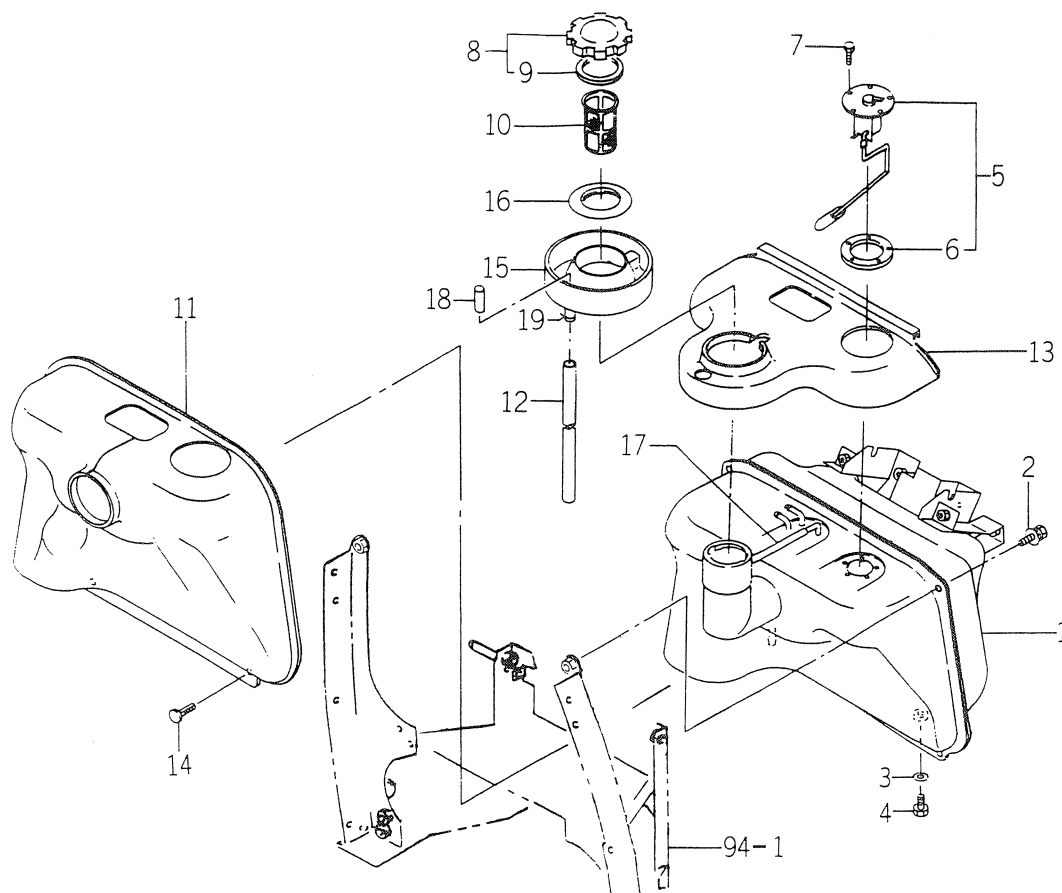






# CHASSIS

FIG. 7 FUEL TANK SYSTEM



1622-111

KEY	PART CODE	DESCRIPTION	QTY	TYPE OF MODEL		I T C	C O L	G R P	REMARKS
				TF325F	TF325FH				
1	1622 - 111 - 200 - 00	TANK/FUEL COMP	1	*	*				
2	V211 - 360 - 801 - 60	BOLT,SEMS (SP)	6	*	*				
3	1407 - 111 - 001 - 00	WASHER/8X12X2	1	*	*				
4	V201 - 260 - 801 - 20	BOLT/M 8X12	1	*	*				
5	1614 - 111 - 210 - 00	GAUGE/FUEL ASSY	1	*	*				
6	1416 - 621 - 037 - 00	PACKING/RUBBER	1	*	*				
7	V200 - 260 - 501 - 0B	BOLT/SEAL	5	*	*				
8	1640 - 111 - 200 - 00	CAP/TANC ASSY	1	*	*				
9	1640 - 111 - 202 - 00	GASKET	1	*	*				
10	1620 - 111 - 004 - 00	FILTER/FUEL	1	*	*				
11	1614 - 111 - 001 - 20	INSULATOR	1	*	*				
12	1614 - 111 - 002 - 10	HOSE/03X07X800	1	*	*				
13	1614 - 111 - 003 - 10	PLATE/TANK	1	*	*				
14	1527 - 604 - 002 - 00	CLIP (B)	2	*	*				
15	1614 - 111 - 004 - 10	CUP/FUEL	1	*	*				
16	1640 - 111 - 001 - 00	INSULATOR/TANK	1	*	*				
17	1614 - 111 - 005 - 00	HOSE/04X08X110	1	*	*				
18	1599 - 782 - 106 - 10	COLLAR/07X12X46	1	*	*				
19	- - -	WIRE	2	*	*				





CLICK HERE TO **DOWNLOAD** THE COMPLETE MANUAL

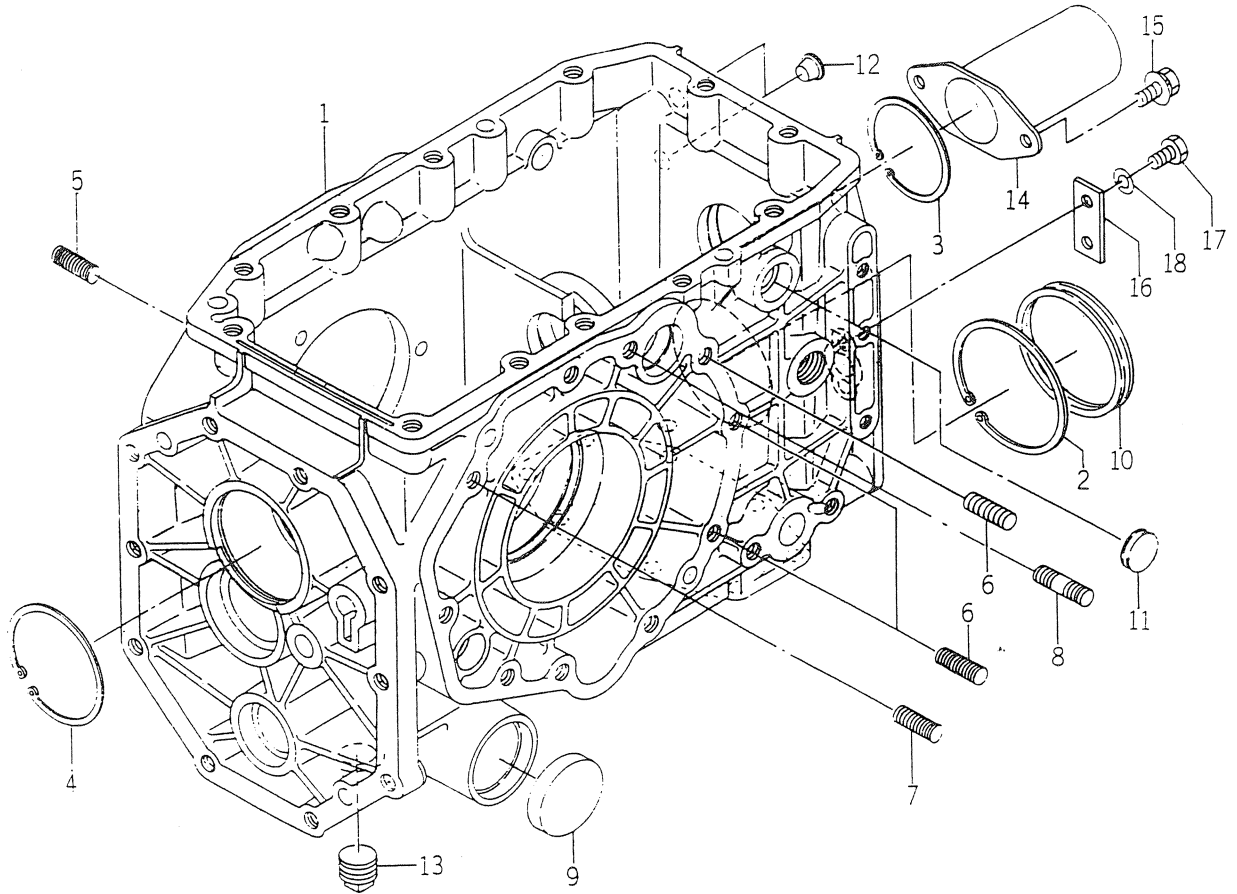
- Thank you very much for reading the preview of the manual.
- You can download the complete manual from: [www.heydownloads.com](http://www.heydownloads.com) by clicking the link below



- Please note: If there is no response to CLICKING the link, please download this PDF first and then click on it.

CLICK HERE TO **DOWNLOAD** THE COMPLETE MANUAL

FIG. 37 REAR MISSION CASE SYSTEM

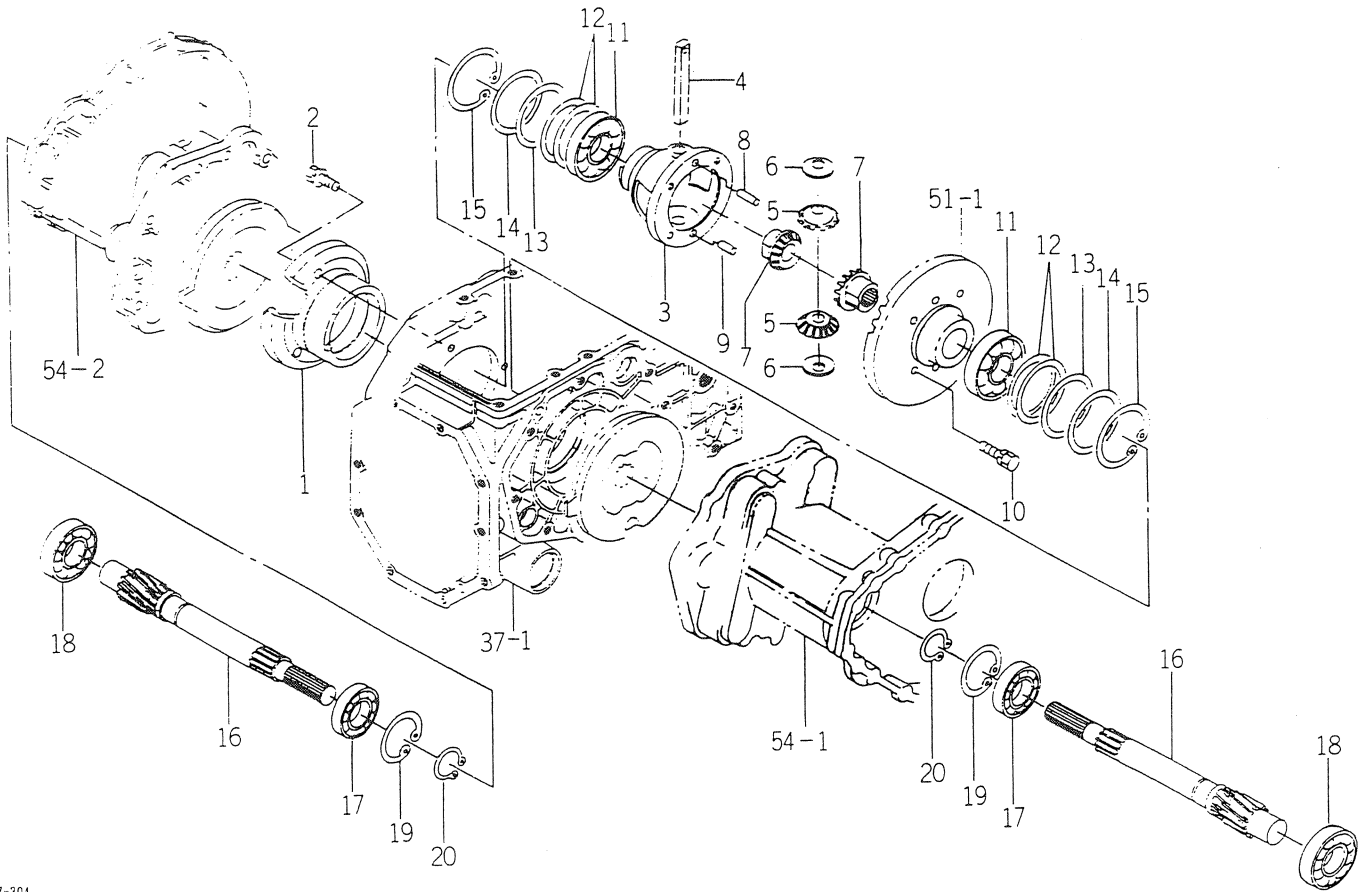


1622-241

KEY	PART CODE	DESCRIPTION	QTY	TYPE OF MODEL		I T C	C O L	G R P	REMARKS
				TF325F	TF325FH				
1	1622 - 241 - 001 - 10	CASE/TRANSMISSION/RE	1	*	*				SEE TF 325D
2	V707 - 140 - 080 - 00	RING/SNAP	1	*	*				
3	V707 - 140 - 062 - 00	RING/SNAP	1	*	*				
4	V707 - 140 - 072 - 00	RING/SNAP	1	*	*				
5	V251 - 341 - 003 - 00	BOLT/STUD	2	*	*				
6	V251 - 341 - 003 - 0C	BOLT/STUD	3	*	*				
7	V251 - 341 - 003 - 00	BOLT/STUD	1	*	*				
8	V251 - 341 - 005 - 0C	BOLT/SEAL	1	*	*				
9	1421 - 201 - 002 - 00	SEAL/47	1	*	*				
10	1617 - 241 - 003 - 00	PLUG/SEAL/80	1	*	*				
11	1614 - 241 - 004 - 00	PLUG/SEAL/25	2	*	*				
12	1427 - 120 - 002 - 00	CAP,BLANK/M10	4	*	*				
13	V781 - 160 - 000 - 8B	PLUG	1	*	*				
14	1444 - 314 - 009 - 10	CAP,PTO SHAFT	1	*	*				
15	V211 - 360 - 802 - 00	BOLT (SP) M8X20	2	*	*				
16	1614 - 241 - 003 - 00	PLATE/I/19X50	1	*	*				
17	V201 - 260 - 801 - 60	BOLT/M 8X16	2	*	*				
18	V401 - 160 - 008 - 00	WASHER,SP/M 8	2	*	*				



FIG. 53 DIFF CASE SYSTEM

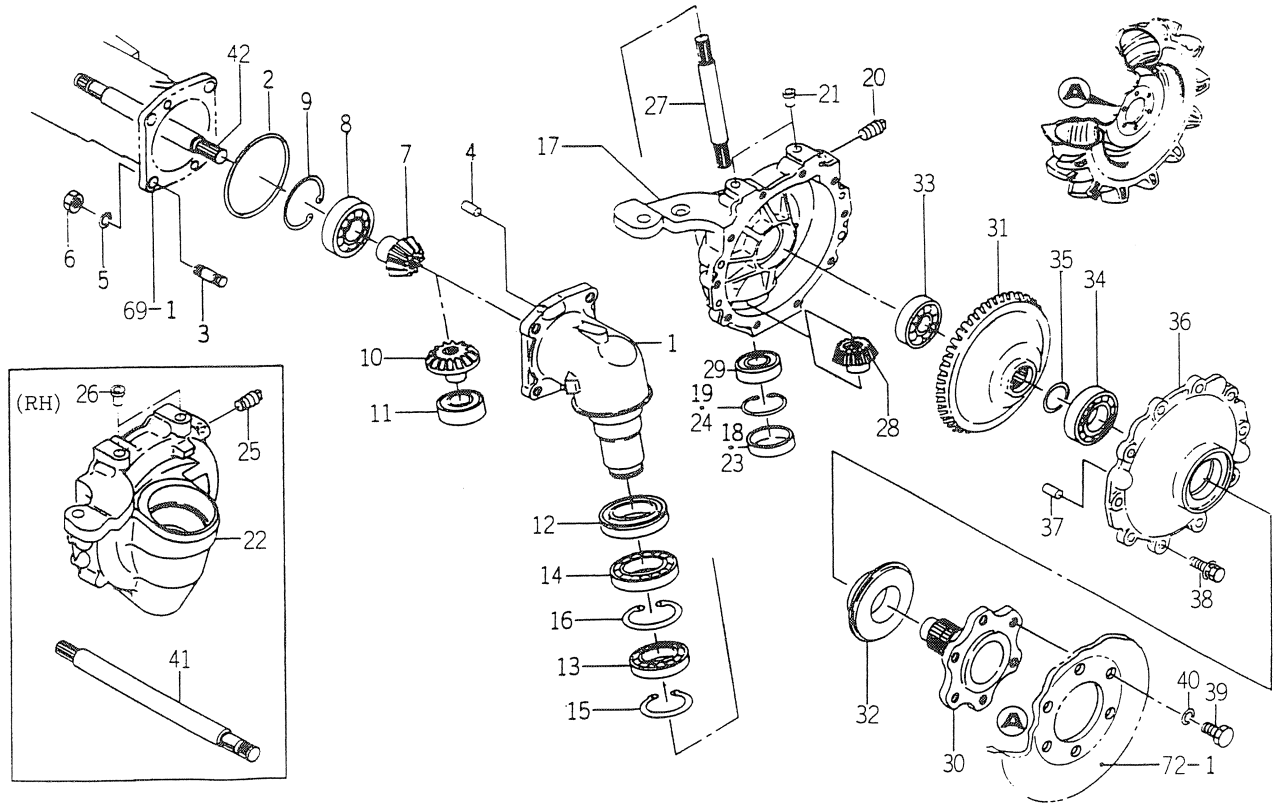


1617-304

KEY	PART CODE	DESCRIPTION	QTY	TYPE OF MODEL		I T C	C O L	G R P	REMARKS
				TF325F	TF325FH				
1	1617-304-001-00	METAL/DIFF	1	*	*				
2	V211-360-802-50	BOLT,SEMS	4	*	*				
3	1617-304-002-00	CASE/DIFF	1	*	*				
4	1617-304-003-00	PIN/14X115	1	*	*				
5	1617-304-004-00	GEAR/BEVEL/12	2	*	*				
6	1617-304-018-00	WASHER	2	*	*				
7	1617-304-006-00	GEAR/BEVEL/14	2	*	*				
8	1544-304-007-00	PIN STRAIGHT,A	1	*	*				
9	V520-100-801-40	PIN,ST/ 8X14	1	*	*				
10	V211-561-002-50	BOLT/M10X25	4	*	*				
11	V600-110-601-10	BEARING,RB/6011	2	*	*				
12	1617-304-008-00	SHIM/0.2	4	*	*				
13	1617-304-009-00	SHIM/0.1	2	*	*				
14	1617-304-011-00	WASHER/75X90X03	2	*	*				
15	V707-140-090-00	RING/SNAP	2	*	*				
16	1617-304-012-00	GEAR/HELICAL/11	2	*	*				
17	V600-110-620-70	BEARING,RB/6207	2	*	*				
18	V600-110-630-70	BEARING,RB/6307	2	*	*				
19	V707-140-072-00	RING/SNAP	2	*	*				
20	V704-140-035-00	RING,SNAP/35 C	2	*	*				



FIG. 70 FAINAL GEAR CASE SYSTEM

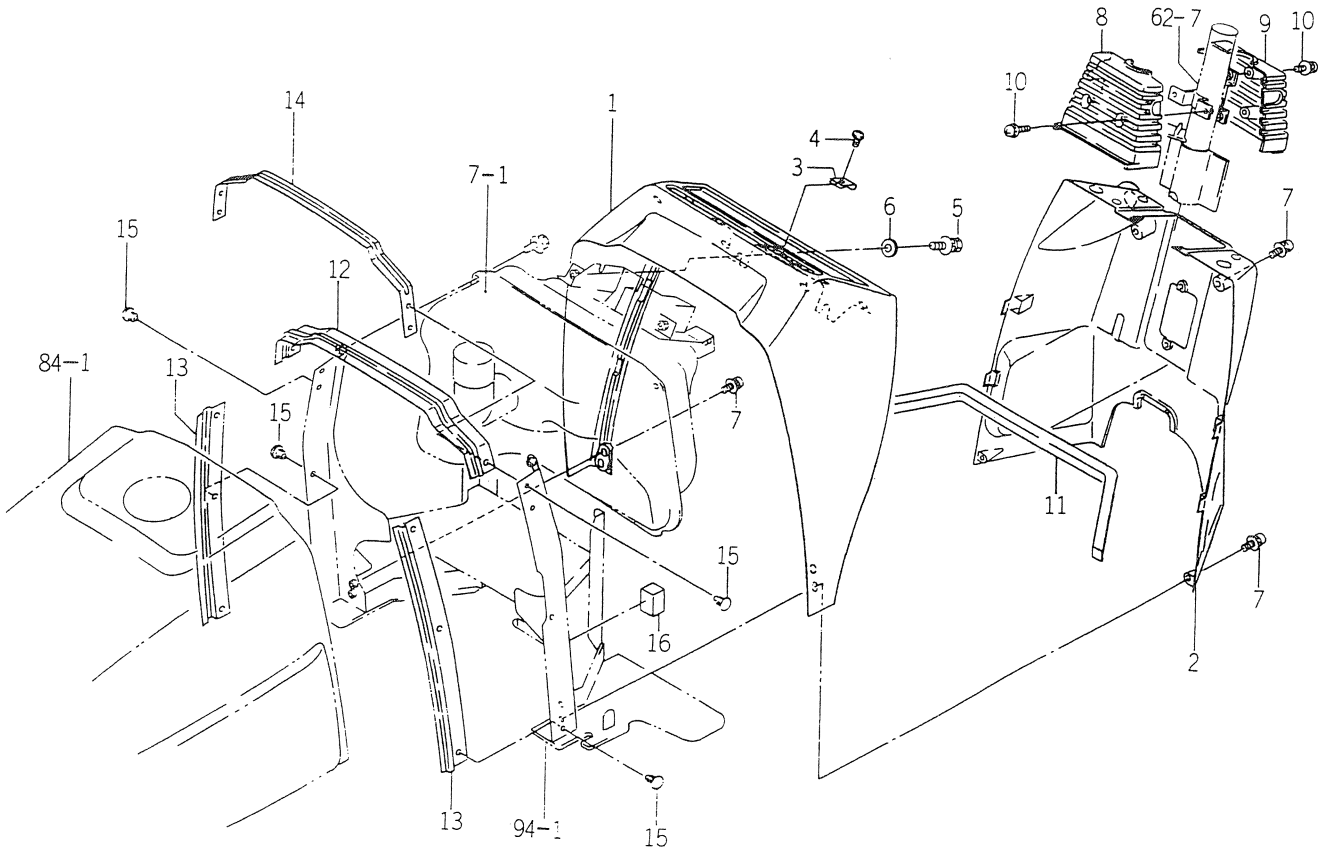


1622-434

KEY	PART CODE	DESCRIPTION	QTY	TYPE OF MODEL		I T C	C O L	G R P	REMARKS
				TF325F	TF325FH				
26	1427 - 120 - 002 - 00	CAP,BLANK/M10	2	*	*				
27	1614 - 434 - 007 - 00	SHAFT	2	*	*				
28	1614 - 434 - 008 - 10	GEAR/BEVEL/10	2	*	*				
29	1594 - 221 - 001 - 00	BEARING/BALL 6205SH2	2	*	*				
30	1617 - 434 - 001 - 00	SHAFT/WHEEL	2	*	*				
31	1614 - 434 - 011 - 10	GEAR/BEVEL/48	2	*	*				
32	1480 - 434 - 011 - 10	SEAL,OIL	2	*	*				
33	V600 - 110 - 620 - 60	BEARING,RB/6206	2	*	*				
34	V600 - 110 - 620 - 70	BEARING,RB/6207	2	*	*				
35	1614 - 434 - 013 - 00	RING/SNAP/CS	2	*	*				
36	1614 - 434 - 012 - 00	COVER/WHEEL	2	*	*				
37	V520 - 101 - 002 - 20	PIN,ST/10X22	4	*	*				
38	V211 - 361 - 003 - 00	BOLT/M10X30	20	*	*				
39	V201 - 361 - 202 - 50	BOLT/M12X25	12	*	*				
40	V401 - 160 - 012 - 00	WASHER,SP/M12	12	*	*				
41	1616 - 435 - 001 - 00	SHAFT	1	*	*				
42	1616 - 435 - 002 - 00	SHAFT	1	*	*				



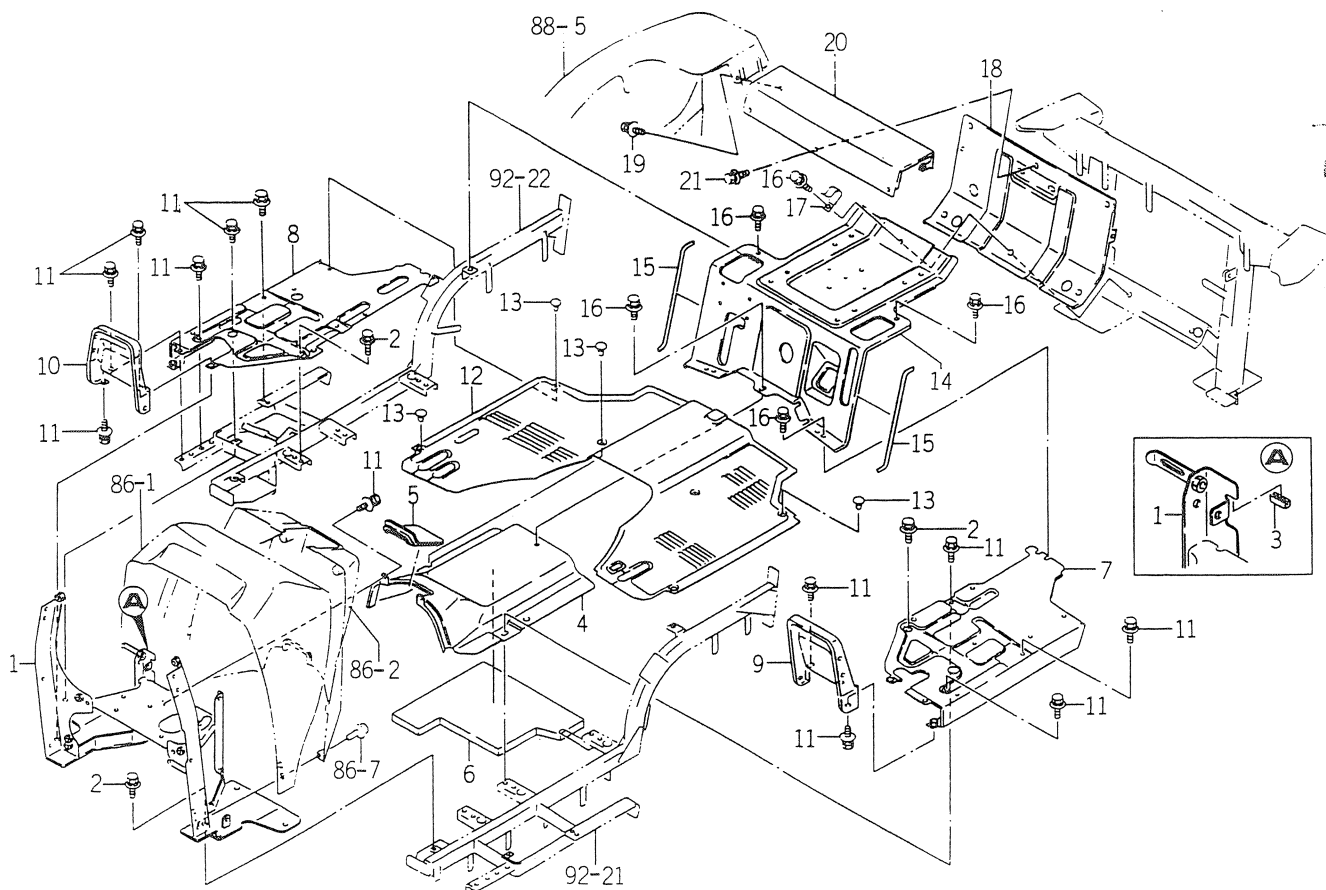
FIG. 86 COVER (STEERING) SYSTEM



1614-603

KEY	PART CODE	DESCRIPTION	QTY	TYPE OF MODEL		I T C	C O L	G R P	REMARKS
				TF325F	TF325FH				
1	1614 - 603 - 001 - 20	COVER/DUSH/F	1	*	*				
2	1614 - 603 - 002 - 20	COVER/DUSH/R	1	*	*				
3	1614 - 603 - 018 - 00	NUT/SPRING	2	*	*				
4	1560 - 401 - 004 - 40	BOLT/M5X16	2	*	*				
5	V211 - 360 - 801 - 60	BOLT,SEMS (SP)	2	*	*				
6	3560 - 201 - 015 - 00	WASHER,BINDING SHAFT	2	*	*				
7	1581 - 740 - 116 - 00	SCREW/M6X20	6	*	*				
8	1614 - 603 - 021 - 00	COVER/STEERING/F	1	*	*				
9	1614 - 603 - 022 - 00	COVER/STEERING/R	1	*	*				
10	V120 - 366 - 001 - 60	SCREW	4	*	*				
11	1614 - 603 - 017 - 00	INSULATOR	1	*	*				
12	1614 - 603 - 201 - 10	INSULATOR	1	*	*				
13	1614 - 603 - 202 - 00	INSULATOR	2	*	*				
14	1614 - 603 - 008 - 00	STAY/INSULATOR	1	*	*				
15	1527 - 604 - 002 - 00	CLIP (B)	8	*	*				
16	1421 - 602 - 008 - 00	CUSHION,C/RUBBER	2	*	*				

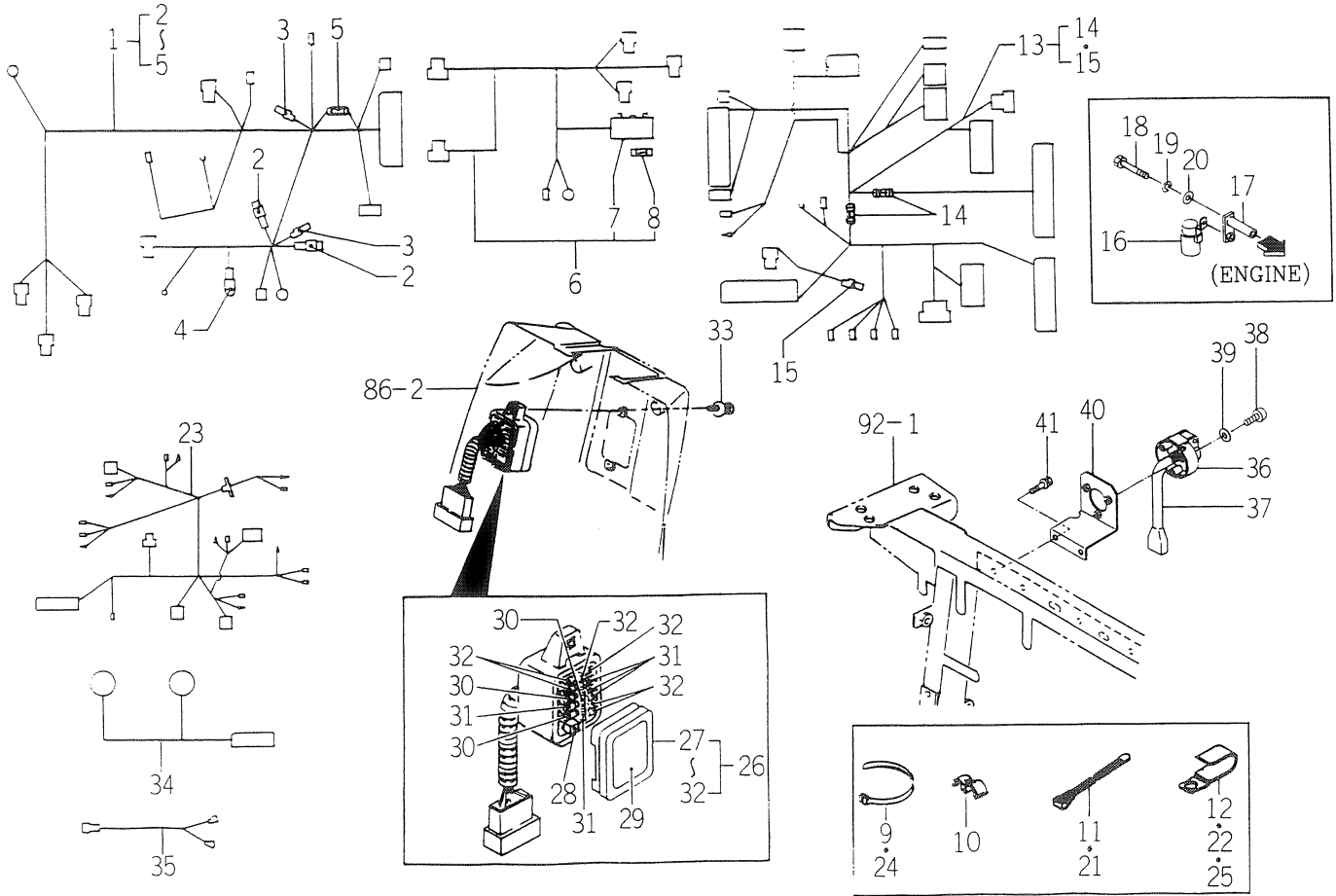
FIG. 94 FLOOR SYSTEM (MDU TYPE)



1622-630A

KEY	PART CODE	DESCRIPTION	QTY	TYPE OF MODEL		I T C	C O L	G R P	REMARKS
				TF325F	TF325FH				
1	1617 - 630 - 200 - 00	FRAME/DUSH COMP	1	*					
2	V211 - 360 - 802 - 00	BOLT (SP) M8X20	4	*					
3	1480 - 601 - 005 - 00	RUBBER,CUSHION	1	*					
4	1620 - 630 - 240 - 10	PANEL/CENTER COMP	1	*					
5	1614 - 630 - 007 - 00	INSULATOR	1	*					
6	1614 - 630 - 008 - 00	INSULATOR	1	*					
7	1620 - 630 - 210 - 10	PANEL/FLOOR/LH COMP	1	*					
8	1620 - 630 - 220 - 10	PANEL/FLOOR/RH COMP	1	*					
9	1620 - 630 - 006 - 00	FOOD/LH	1	*					
10	1620 - 630 - 007 - 00	FOOD/RH	1	*					
11	V211 - 360 - 801 - 60	BOLT,SEMS (SP)	18	*					
12	1620 - 630 - 001 - 10	MAT/FLOOR	1	*					
13	1560 - 606 - 008 - 00	CAP/07	6	*					
14	1620 - 630 - 290 - 20	PANEL/SEAT COMP	1	*					
15	1614 - 630 - 002 - 00	INSULATOR	2	*					
16	V211 - 360 - 801 - 60	BOLT,SEMS (SP)	6	*					
17	1425 - 621 - 004 - 00	CLAMP,HARNESS	1	*					
18	1617 - 630 - 220 - 00	PANEL/REAR COMP	1	*					
19	V211 - 360 - 801 - 60	BOLT,SEMS (SP)	2	*					
20	1620 - 630 - 300 - 10	PANEL/BACK COMP	1	*					
21	V211 - 360 - 801 - 60	BOLT,SEMS (SP)	3	*					

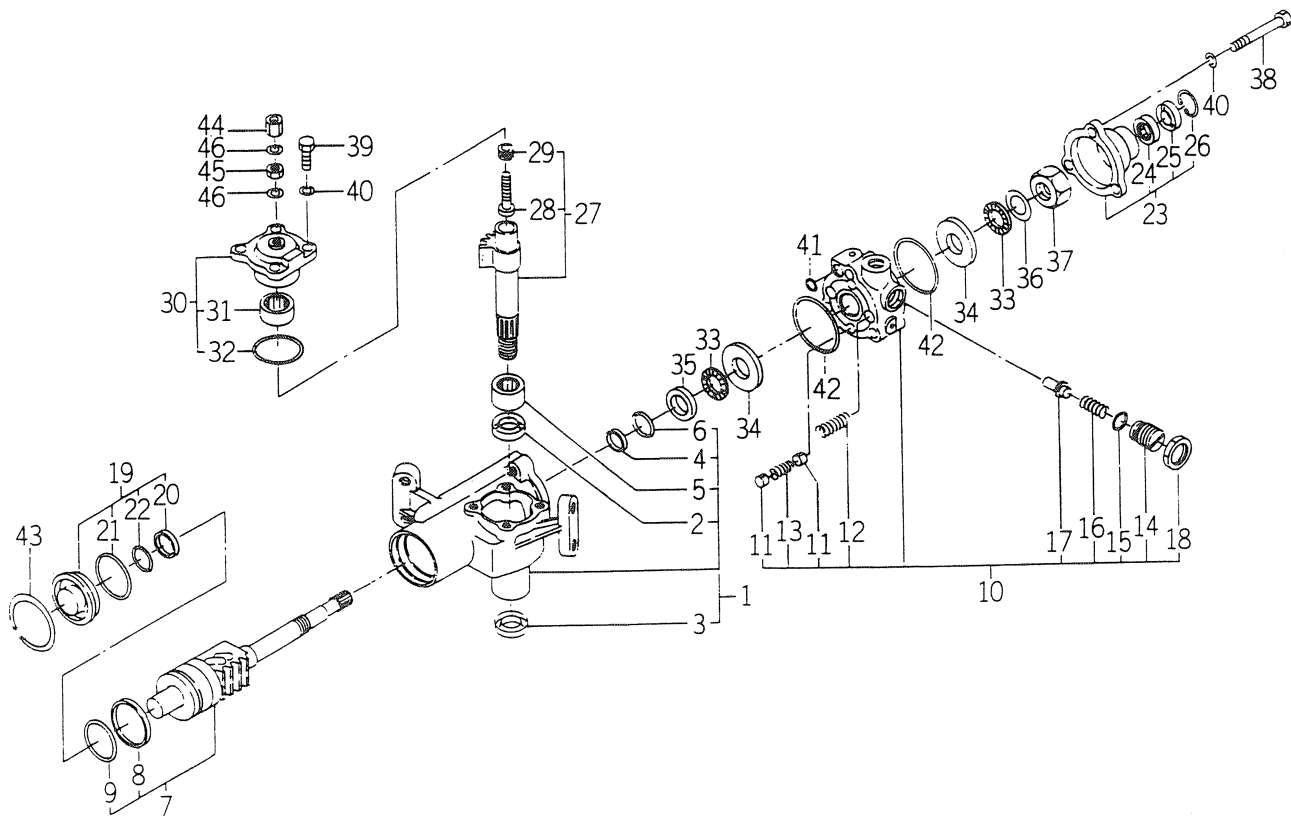
# FIG.101 HARNESS SYSTEM



1622-650

KEY	PART CODE	DESCRIPTION	QTY	TYPE OF MODEL		I T C	C O L	G R P	REMARKS
				TF325F	TF325FH				
1	1620 - 690 - 300 - 00	HARNESS/ENGINE ASSY	1	*	*				
2	1614 - 690 - 202 - 00	FUSE/SLOWBLOW	2	*	*				
3	1560 - 666 - 212 - 00	DIODE	2	*	*				
4	3650 - 261 - 261 - 00	LINK,FUSIBLE	1	*	*				
5	4319 - 601 - 004 - 00	FUSE/250V2A	1	*	*				
6	1620 - 690 - 340 - 00	HARNESS/ENGINE/4P	1	*	*				
7	1593 - 623 - 503 - 00	CAP,FUSE BOX	1	*	*				
8	1560 - 664 - 264 - 00	FUSE,BLADE	4	*	*				
9	1342 - 402 - 006 - 00	BAND,WIRE/250	2	*	*				
10	1614 - 690 - 002 - 00	CLAMP/HOSE	3	*	*				
11	1376 - 402 - 003 - 00	BAND,WIRE/140	9	*	*				
12	1425 - 621 - 004 - 00	CLAMP,HARNESS	4	*	*				
13	1620 - 690 - 310 - 00	HARNESS/MAIN ASSY	1	*	*				
14	1614 - 690 - 212 - 00	CLIP/CABLE	2	*	*				
15	1560 - 666 - 212 - 00	DIODE	1	*	*				
16	1581 - 621 - 290 - 00	RELAY/4P	1	*	*				
17	1617 - 690 - 220 - 00	BRACKET/RELAY COMP	1	*	*				
18	V201 - 260 - 808 - 00	BOLT/M 8X80	1	*	*				
19	V401 - 160 - 008 - 00	WASHER,SP/M 8	1	*	*				
20	V411 - 260 - 008 - 00	WASHER,PL/M 8	1	*	*				
21	1376 - 402 - 003 - 00	BAND,WIRE/140	3	*	*				
22	1425 - 621 - 004 - 00	CLAMP,HARNESS	2	*	*				
23	1620 - 690 - 320 - 00	HARNESS/REAR ASSY	1	*	*				
24	1342 - 402 - 006 - 00	BAND,WIRE/250	1	*	*				
25	3737 - 172 - 009 - 00	CLAMP,MAIN HARNESS	2	*	*				

FIG.111 1614 - 407 - 210 - 00



1614-4072

KEY	PART CODE	DESCRIPTION	QTY	TYPE OF MODEL		I T C	C O L	G R P	REMARKS
				TF325F	TF325FH				
1	1614 - 407 - 320 - 00	CASE/GEAR ASSY	1	*	*				
2	1614 - 407 - 322 - 00	SEAL/OIL	1	*	*				
3	1614 - 407 - 323 - 00	SEAL	1	*	*				
4	1614 - 407 - 324 - 00	SEAL	1	*	*				
5	1614 - 407 - 325 - 00	BEARING/NEEDLE	1	*	*				
6	V723 - 102 - 002 - 50	O - RING	1	*	*				
7	1614 - 407 - 330 - 00	SHAFT/SCREW ASSY	1	*	*				
8	1614 - 407 - 331 - 00	SEAL	1	*	*				
9	V721 - 103 - 104 - 50	O - RING/G45	1	*	*				
10	1614 - 407 - 340 - 00	VALVE ASSY	1	*	*				
11	1550 - 408 - 322 - 00	PISTON	4	*	*				
12	1550 - 408 - 327 - 00	SPRING,COIL	2	*	*				
13	1550 - 408 - 323 - 00	SPRING,COIL	2	*	*				
14	1550 - 408 - 325 - 00	BOLT	1	*	*				
15	1550 - 408 - 324 - 00	O - RING	1	*	*				
16	1444 - 408 - 312 - 00	SPRING,COIL	1	*	*				
17	1513 - 408 - 217 - 00	POPPET	1	*	*				
18	1550 - 408 - 326 - 00	NUT	1	*	*				
19	1614 - 407 - 350 - 00	COVER/END ASSY	1	*	*				
20	1614 - 407 - 352 - 00	SEAL	1	*	*				
21	1550 - 408 - 302 - 00	O - RING	1	*	*				
22	V723 - 102 - 002 - 50	O - RING	1	*	*				
23	1614 - 407 - 360 - 00	COVER/TOP ASSY	1	*	*				
24	1614 - 407 - 362 - 00	BEARING/NEEDLE	1	*	*				
25	1614 - 407 - 363 - 00	SEAL/OIL	1	*	*				

PART CODE	REF . NO	PART CODE	REF . NO	PART CODE	REF . NO	PART CODE	REF . NO
6904-110-822-00	9 47						
6904-110-840-00	5 19						
	17 17						
6904-110-850-00	9 6						
6904-110-855-00	9 5						
6908-000-716-00	12 3						
	20 12						
6908-000-750-00	15 4						
6908-160-612-00	5 18						
6908-160-816-00	5 17						
6908-161-018-00	15 2						
6908-161-022-00	8 2						
6909-110-406-00	9 34						
	20 40						
6909-110-408-00	9 52						
	9 56						
6909-110-410-00	22 6						
6909-110-508-00	9 10						
	11 22						
	17 13						
	17 20						
	20 8						
6909-111-508-00	26 21						
6909-150-506-00	20 42						
6909-150-508-00	9 11						
	9 53						
	9 57						
	17 14						
	17 21						
	20 9						
6909-164-508-00	11 23						
6909-202-308-00	9 25						
6909-571-414-00	7 4						
6909-572-008-00	2 8						
6909-830-212-00	1 13						
6909-920-843-00	9 17						
	9 21						
	9 26						
6909-950-115-00	13 4						
6911-129-081-00	5 3						
6911-219-195-00	5 5						
6912-333-036-10	15 6						
6999-202-314-00	7 3						

PART CODE	REF . NO	PART CODE	REF . NO	PART CODE	REF . NO	PART CODE	REF . NO	PART CODE	REF . NO
1614-120-240-00	11	1614-263-003-00	43	1614-432-006-00	68	1614-601-006-00	84	1614-601-006-00	13
1614-135-210-00	19	1614-308-003-00	56	1614-432-007-00	68	1614-601-031-00	84	1614-601-031-00	9
1614-203-001-10	20	1614-308-004-00	56	1614-432-210-10	68	1614-601-230-00	84	1614-601-230-00	15
1614-203-002-20	24	1614-310-201-00	57	1614-433-002-00	69	1614-602-001-00	85	1614-602-001-00	85
1614-203-005-00	24	1614-310-203-00	57	1614-433-202-00	69	1614-602-002-00	85	1614-602-002-00	2
	25	1614-308-002-00	56	1614-433-212-00	69	1614-603-001-20	86	1614-603-001-20	1
	28	1614-308-003-00	56	1614-434-001-00	70	1614-603-002-20	86	1614-603-002-20	2
	29	1614-308-004-00	56	1614-434-002-10	70	1614-603-017-00	86	1614-603-017-00	14
1614-203-014-00	24	1614-310-201-00	57	1614-434-003-10	70	1614-603-018-00	86	1614-603-018-00	3
1614-203-015-00	24	1614-310-203-00	57	1614-434-004-00	70	1614-603-021-00	86	1614-603-021-00	8
1614-205-004-00	25	1614-310-211-00	57	1614-434-007-00	70	1614-603-022-00	86	1614-603-022-00	9
	25	1614-310-210-00	57	1614-434-008-10	70	1614-604-230-00	87	1614-604-230-00	4
1614-205-009-10	25	1614-402-007-00	63	1614-434-011-10	70	1614-604-240-00	87	1614-604-240-00	7
1614-205-011-00	25	1614-407-201-00	64	1614-434-012-00	70	1614-604-260-00	87	1614-604-260-00	12
1614-205-014-00	25	1614-407-210-00	64	1614-434-013-00	70	1614-608-220-00	89	1614-608-220-00	6
1614-205-015-00	25	1614-407-211-00	111	1614-434-018-00	70	1614-626-400-00	91	1614-626-400-00	12
	28	1614-407-212-00	111	1614-436-002-00	71	1614-630-002-00	94	1614-630-002-00	15
	29	1614-407-213-00	111	1614-436-202-00	71	1614-630-007-00	94	1614-630-007-00	5
	29	1614-407-214-00	111	1614-436-202-00	71	1614-670-201-00	99	1614-670-201-00	4
1614-210-001-00	30	1614-407-215-00	111	1614-436-202-00	71	1614-670-240-00	99	1614-670-240-00	3
1614-215-005-00	30	1614-407-216-00	111	1614-436-202-00	71	1614-670-250-00	99	1614-670-250-00	5
1614-215-006-00	30	1614-407-220-00	111	1614-436-202-00	71	1614-670-260-00	99	1614-670-260-00	6
1614-216-003-00	31	1614-407-320-00	111	1614-436-202-00	71	1614-670-270-00	99	1614-670-270-00	11
	32	1614-407-322-00	111	1614-436-202-00	71	1614-670-281-00	99	1614-670-281-00	14
1614-222-007-00	33	1614-407-323-00	111	1614-436-202-00	71	1614-690-002-00	101	1614-690-002-00	10
	34	1614-407-324-00	111	1614-436-202-00	71	1614-690-202-00	101	1614-690-202-00	2
1614-231-201-00	36	1614-407-325-00	111	1614-436-202-00	71	1614-690-212-00	101	1614-690-212-00	14
1614-231-203-00	36	1614-407-330-00	111	1614-436-202-00	71	1614-702-053-00	102	1614-702-053-00	7
1614-231-204-00	36	1614-407-331-00	111	1614-436-202-00	71	1614-702-550-00	102	1614-702-550-00	2
1614-241-003-00	37	1614-407-340-00	111	1614-436-202-00	71	1614-702-551-00	102	1614-702-551-00	5
1614-241-004-00	37	1614-407-350-00	111	1614-436-202-00	71	1614-702-552-00	102	1614-702-552-00	6
1614-261-003-00	42	1614-407-352-00	111	1614-436-202-00	71	1614-702-560-00	102	1614-702-560-00	3
	49	1614-407-360-00	111	1614-436-202-00	71	1614-901-001-00	103	1614-901-001-00	1
1614-261-006-00	42	1614-407-362-00	111	1614-436-202-00	71	1614-903-003-00	103	1614-903-003-00	6
1614-262-003-00	42	1614-407-363-00	111	1614-436-202-00	71	1615-431-001-00	67	1615-431-001-00	1
	45	1614-407-370-00	111	1614-436-202-00	71				
	79	1614-407-380-00	111	1614-436-202-00	71				
1614-262-006-00	42	1614-432-001-00	68	1614-436-202-00	71				
	45	1614-432-002-00	68	1614-436-202-00	71				
	46	1614-432-003-00	68	1614-436-202-00	71				
	79	1614-432-004-00	68	1614-436-202-00	71				
	80	1614-432-005-00	68	1614-436-202-00	71				
	81	1614-432-006-00	68	1614-436-202-00	71				

DESCRIPTION	REF . NO	DESCRIPTION	REF . NO	DESCRIPTION	REF . NO	DESCRIPTION	REF . NO
SPRING, NOZZLE	24						
SPRING, RETURN	20						
SPRING, STARTING	20						
SPRINGSEAT	25						
	25						
	16						
STARTER ASSY	22						
STOPPER/FULLLOAD	9						
STRAINER	16						
COMP	8						
STUD	5						
	9						
	4						
	9						
	5						
	6						
	9						
	47						
STUD/M8X40	5						
	17						
	17						
STUD, HEAD COVER	1						
SWITCH/MAGNETIC ASSY	26						
SWITCH, OIL PRESSURE	23						
TAPPEI	11						
	6						
	25						
	11						
THERMOSTAT	17						
VALVE/EXHAUST	2						
VALVE/INTAKE	11						
VALVE, DELIVERY	25						
VALVEGUIDE	1						
	7						
	1						
VALVESEAT/EXHAUST	1						
VALVESEAT/INLET	1						
WASHER	9						
	11						
	9						
	53						
	9						
	57						
	15						
	9						
	15						
	12						
	17						
	14						
	17						
	21						
	20						
	9						
WASHER / M6	20						
WASHER/CORRUGATE	19						
WASHER/9X22X2	4						
WASHER, PL/M8	22						
WASHER, SP/M12	11						
WASHER, SP/M12	22						
WASHER, SP/M6	22						
WATERPUMP	20						
ASSY	17						
YOKE/STARTER	26						
ASSY	1						

CLICK HERE TO **DOWNLOAD** THE COMPLETE MANUAL

- Thank you very much for reading the preview of the manual.
- You can download the complete manual from: [www.heydownloads.com](http://www.heydownloads.com) by clicking the link below



- Please note: If there is no response to CLICKING the link, please download this PDF first and then click on it.

CLICK HERE TO **DOWNLOAD** THE COMPLETE MANUAL