

# HİDRO



**HMK 200 W-3**  
Yedek Parça  
Katalođu  
Parts Catalogue

26.11.2010  
H237303200  
ISUZU 9123501-

CLICK HERE TO **DOWNLOAD** THE COMPLETE MANUAL

- Thank you very much for reading the preview of the manual.
- You can download the complete manual from: [www.heydownloads.com](http://www.heydownloads.com) by clicking the link below



- Please note: If there is no response to CLICKING the link, please download this PDF first and then click on it.

CLICK HERE TO **DOWNLOAD** THE COMPLETE MANUAL

## ÖNSÖZ

---

HMK 200 W-3 İş Makinasını tercih ettiğiniz için teşekkür ederiz.

Bu katalog HMK 200 W-3' nin yedek parça hizmeti için hazırlanmıştır.

İyi bir servis hizmeti ve doğru parça seçimi için kataloğun kapsamı ile ilgili aşağıda belirtilen açıklamaları okuyunuz ve anlayınız.

### **No**

Gösterilen parçanın poz numarasını verir.

### **Parça No**

Resimde gösterilen parçaların parça numarasını gösterir.

### **Adı**

Parçanın adını gösterir.

### **Adet**

Parçanın o sayfada yer alan gruptaki kullanım adedini gösterir.

### **Not**

Parçaların tanımlarında yer almayan açıklamaları gösterir.

### **Seri No**

Parçanın kullanıldığı makinenin seri numarasını gösterir. Örneğin;

2134001-2134005 → gösterilen parça 2134001'den 2134005' e kadar kullanılmıştır. (2134001-2134005 dahil)

3134001- → gösterilen parça 3134001'den itibaren kullanılmıştır.

2134001,2134005 → gösterilen parça 2134001 ve 2134005 seri nolu makinalarda kullanılmıştır.

### **Y.Kul.**

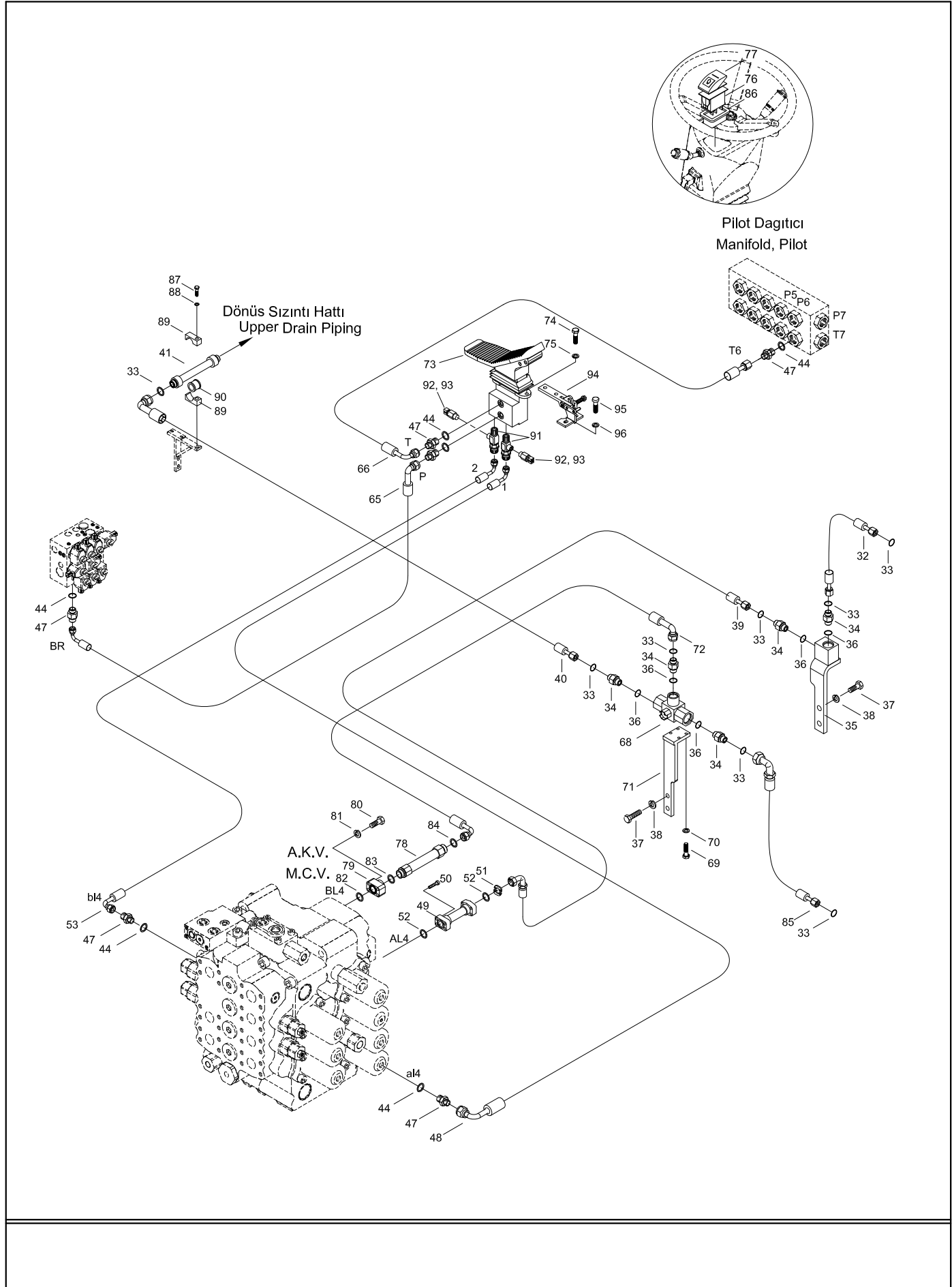
Parçaların birbirleri yerine kullanılabilirliğini ifade eder.

- A → Birbirlerinin yerine kullanılabilirler. (eski parça ↔ yeni parça)
- B → Biri diğerinin yerine kullanılabilir. (eski parça → yeni parça)
- C → Biri diğerinin yerine kullanılabilir. (eski parça ← yeni parça)
- D → Birbirlerinin yerine kullanılamaz. (eski parça – yeni parça)

	PAGE	REV.
OPTION		
BREAKER PIPING MOUNTING (1) (OP).....	230101	
BREAKER PIPING MOUNTING (2) (OP).....	230102	
QUICK COUPLING ASSEMBLY (OP).....	230103	
QUICK COUPLING MOUNTING (OP).....	230104	
QUICK COUPLING CYLINDER (OP).....	230105	
BREAKER MOUNTING (OP).....	230106	
DOUBLE ACTING PIPING (1) (OP).....	230107	
DOUBLE ACTING PIPING (2) (OP).....	230108	
DOUBLE ACTING VALVE (OP).....	230109	
BOOM SAFETY LOCK SYSTEM (OP).....	230110	
ARM SAFETY LOCK SYSTEM (OP).....	230111	
OVERLOAD WARNING SYSTEM (OP).....	230112	
DITCH CLEANING BUCKET MOUNTING (OP).....	230301	
TRAPEZOIDAL BUCKET MOUNTING (OP).....	230302	
BEACON MOUNTING (OP).....	230501	
REAR WORK LAMP MOUNTING (OP).....	230502	
FRONT WORK LAMP MOUNTING (OP).....	230503	
WINDOW GUARD (OP).....	230504	
IMMOBILIZER (OP).....	230505	
CAMERA MOUNTING-BACK VIEW.....	230504	
COWLING		
RADIATOR FRAME AND DOOR MOUNTING.....	231101	00
RADIATOR FRAME AND DOOR MOUNTING.....	231101	01
PUMP FRAME AND DOOR MOUNTING.....	231102	00
PUMP FRAME AND DOOR MOUNTING.....	231102	01
PUMP COVER PLATES.....	231103	00
PUMP COVER PLATES.....	231103	01
COVER PLATES MOUNTING .....	231104	00
COVER PLATES MOUNTING .....	231104	01
HOOD MOUNTING .....	231105	
TANK COVER MOUNTING.....	231106	
UPPER FRAME		
UPPER FRAME MOUNTING.....	231201	00
UPPER FRAME MOUNTING.....	231201	01
BATTERY BOX MOUNTING.....	231202	00
TOOL BOX MOUNTING.....	231202	01
ANTI-SLIP WALKWAY.....	231203	00
ANTI-SLIP WALKWAY.....	231203	01
ENGINE		
ENGINE MOUNTING.....	232001	
ENGINE OVERHAUL GASKET KIT.....	232002	
CYLINDER HEAD GASKET KIT.....	232003	
ROCKER ARM COVER.....	232004	
CYLINDER HEAD ASSEMBLY.....	232005	
INJECTOR HARNESS CASE ASSEMBLY.....	232006	
CYLINDER BLOCK ASSEMBLY.....	232007	
CYLINDER BLOCK ACCESSORIES.....	232008	
LEVEL GAUGE.....	232009	
OIL PAN.....	232010	

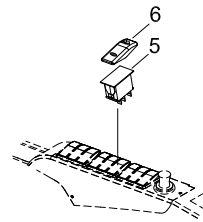
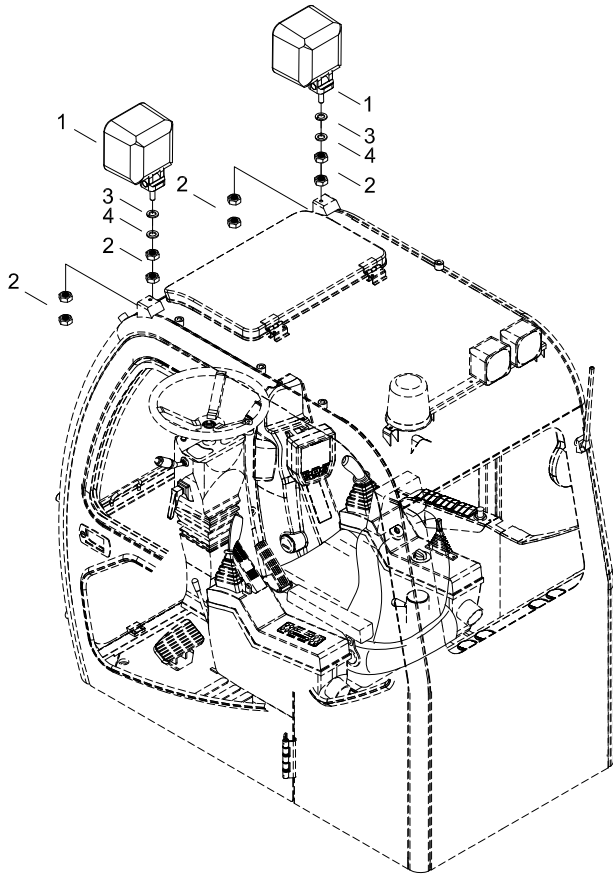
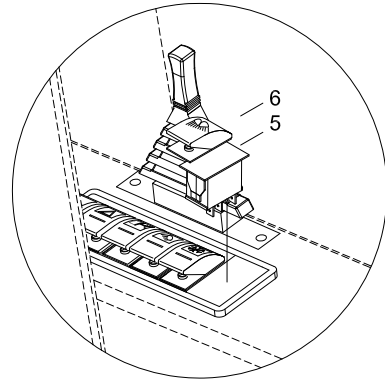
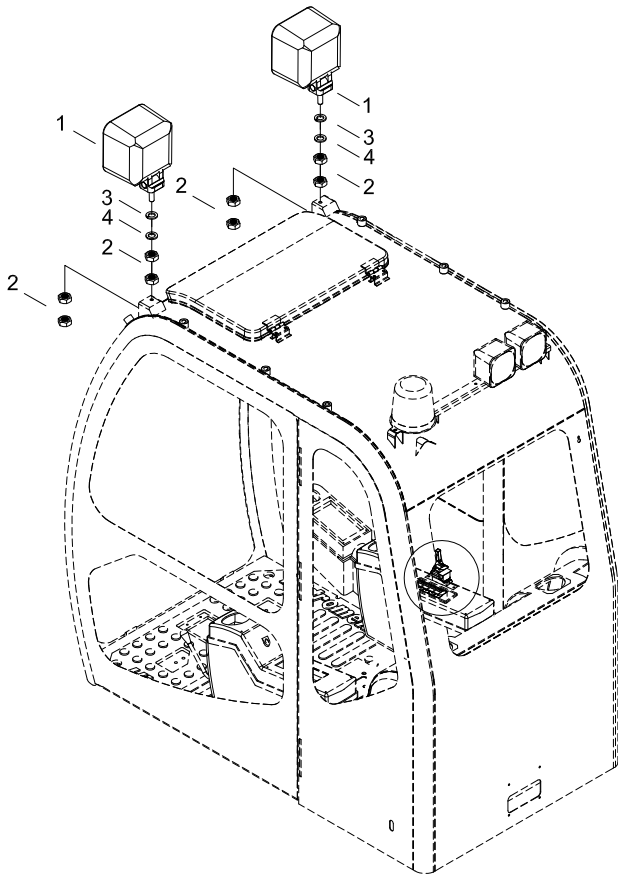


## ÇİFT TESİRLİ KIRICI TESİSATI MONTAJI (2) (OP) DOUBLE ACTING PIPING (2) (OP)

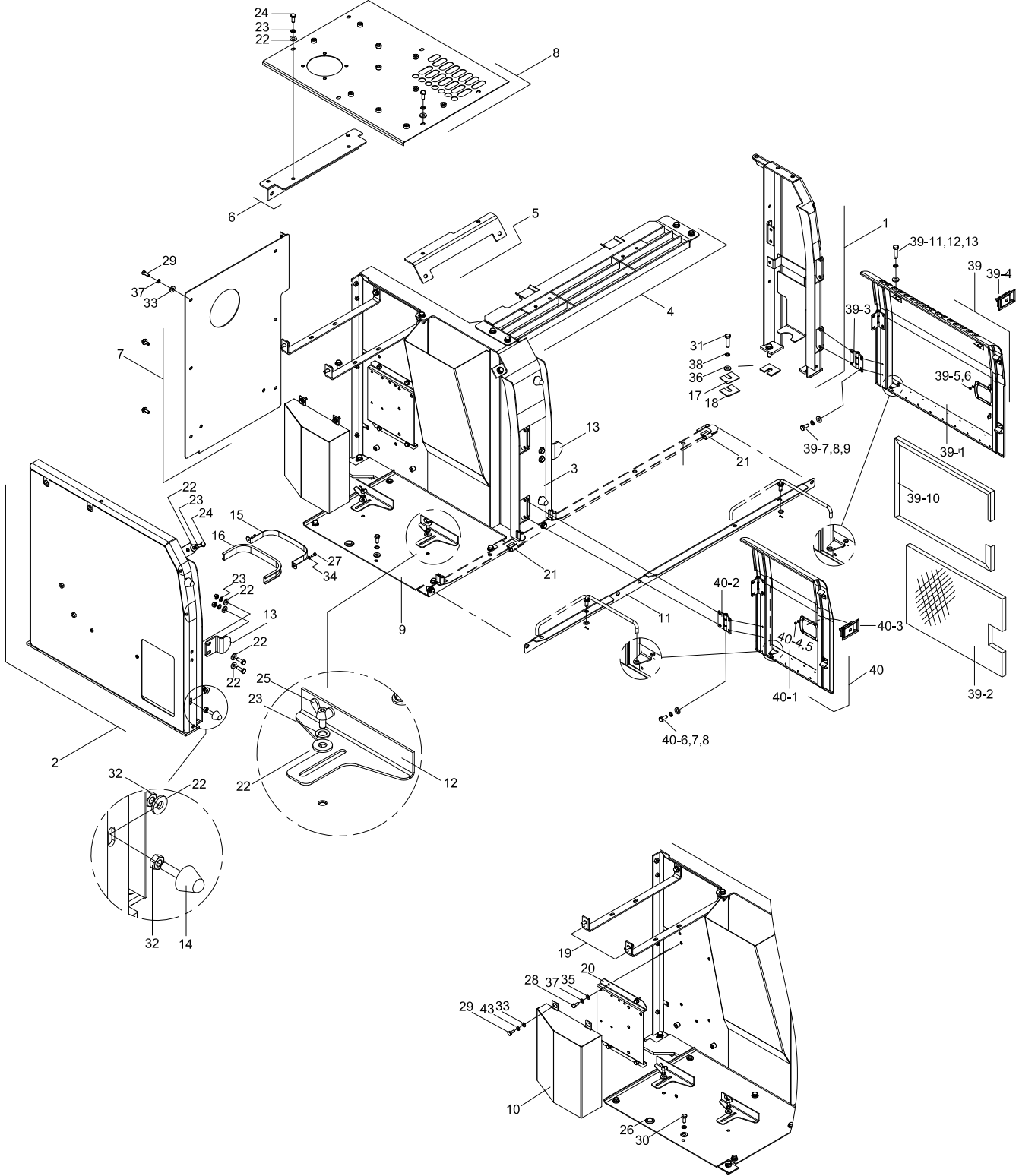




## ÖN ÇALIŞMA LAMBASI MONTAJI FRONT WORK LAMP MOUNTING

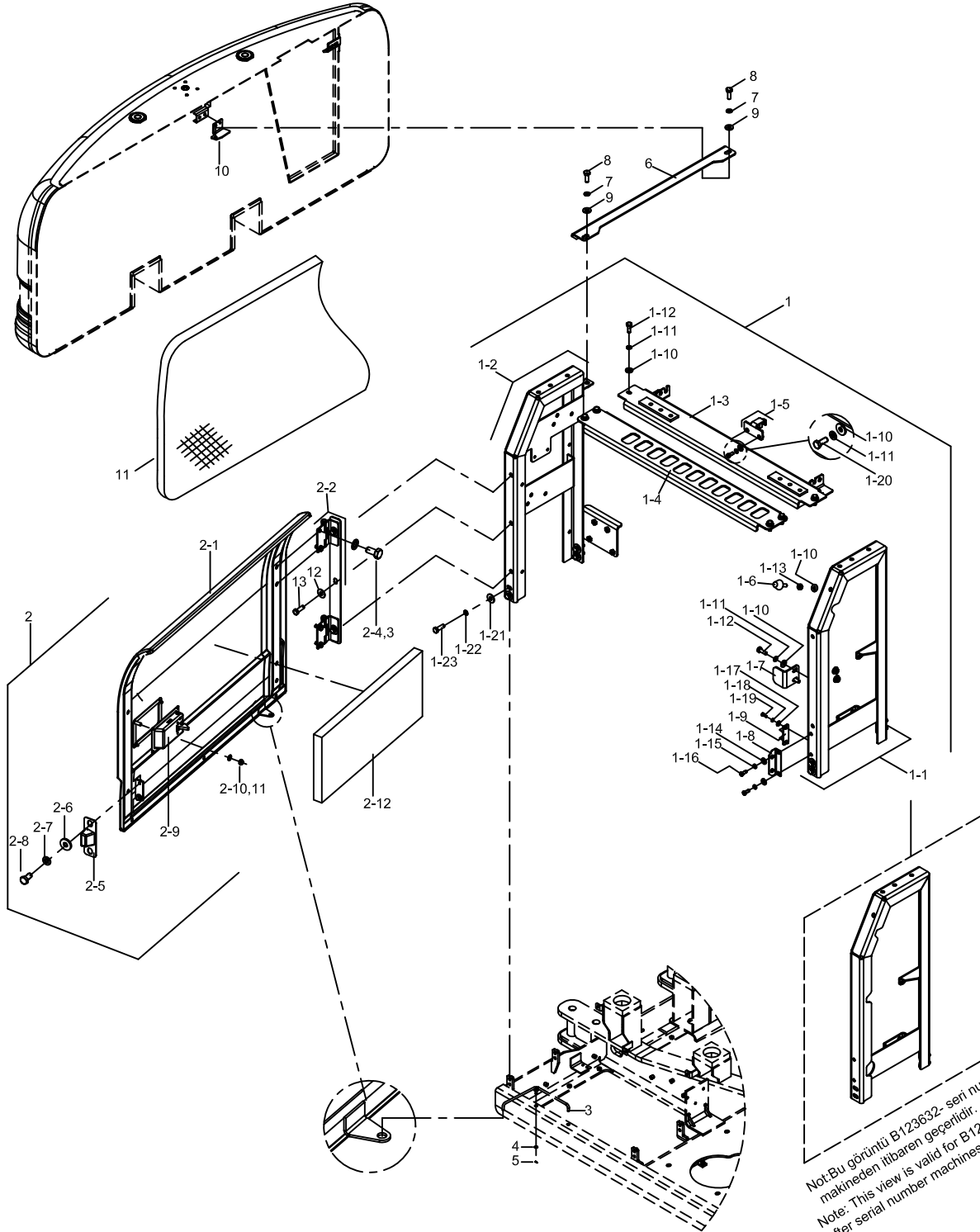


## RADAYATÖR ÇERÇEVE VE KAPI MONTAJI RADIATOR FRAME AND DOOR MOUNTING



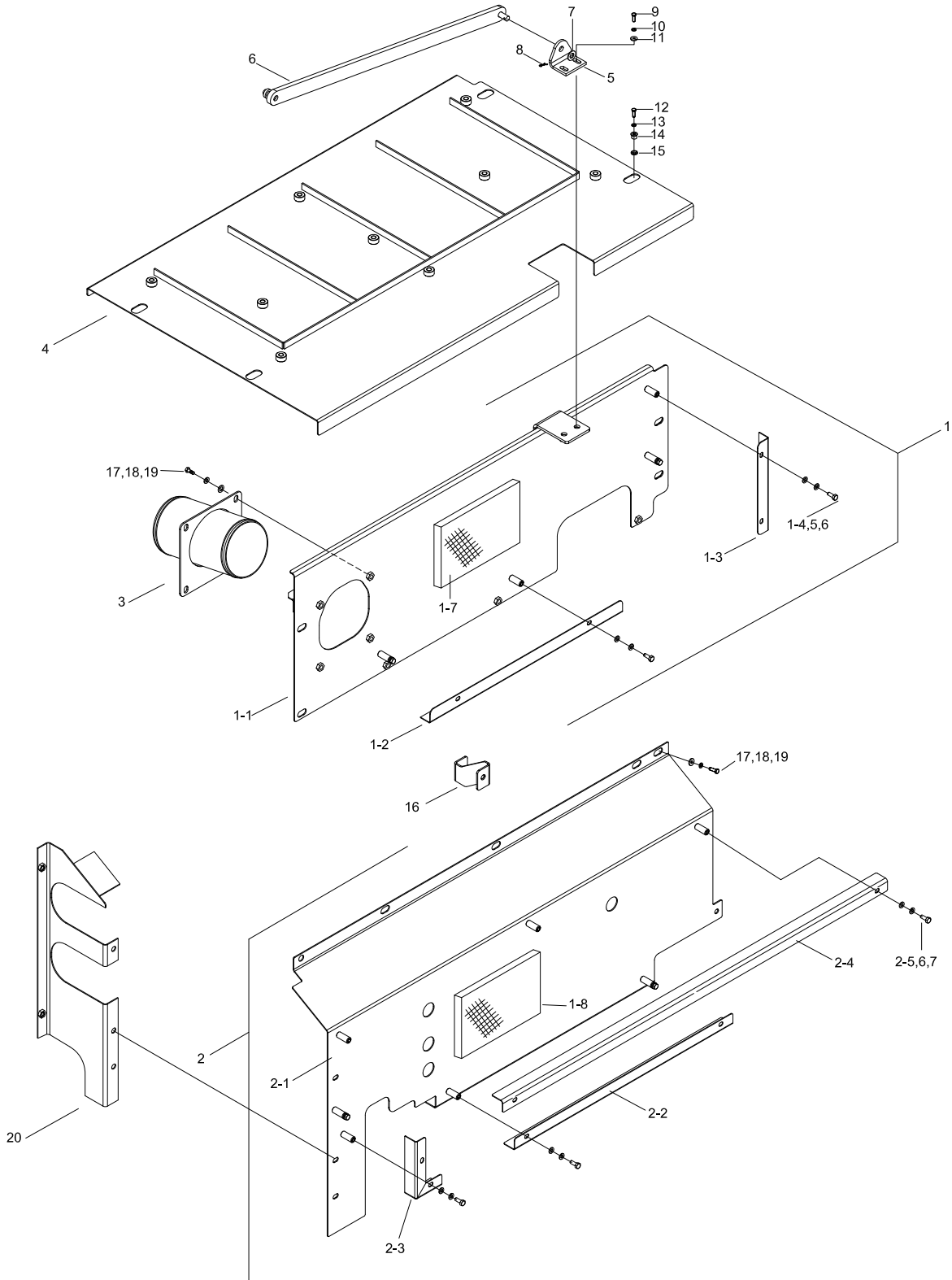
NOT: Bu görüntü 9123501-9123509 seri nolu makineden itibaren geçerlidir.  
NOTE: This view is valid from 9123501-9123509 serial number machine.

## POMPA ÇERÇEVESİ VE KAPI MONTAJI PUMP FRAME AND DOOR MOUNTING



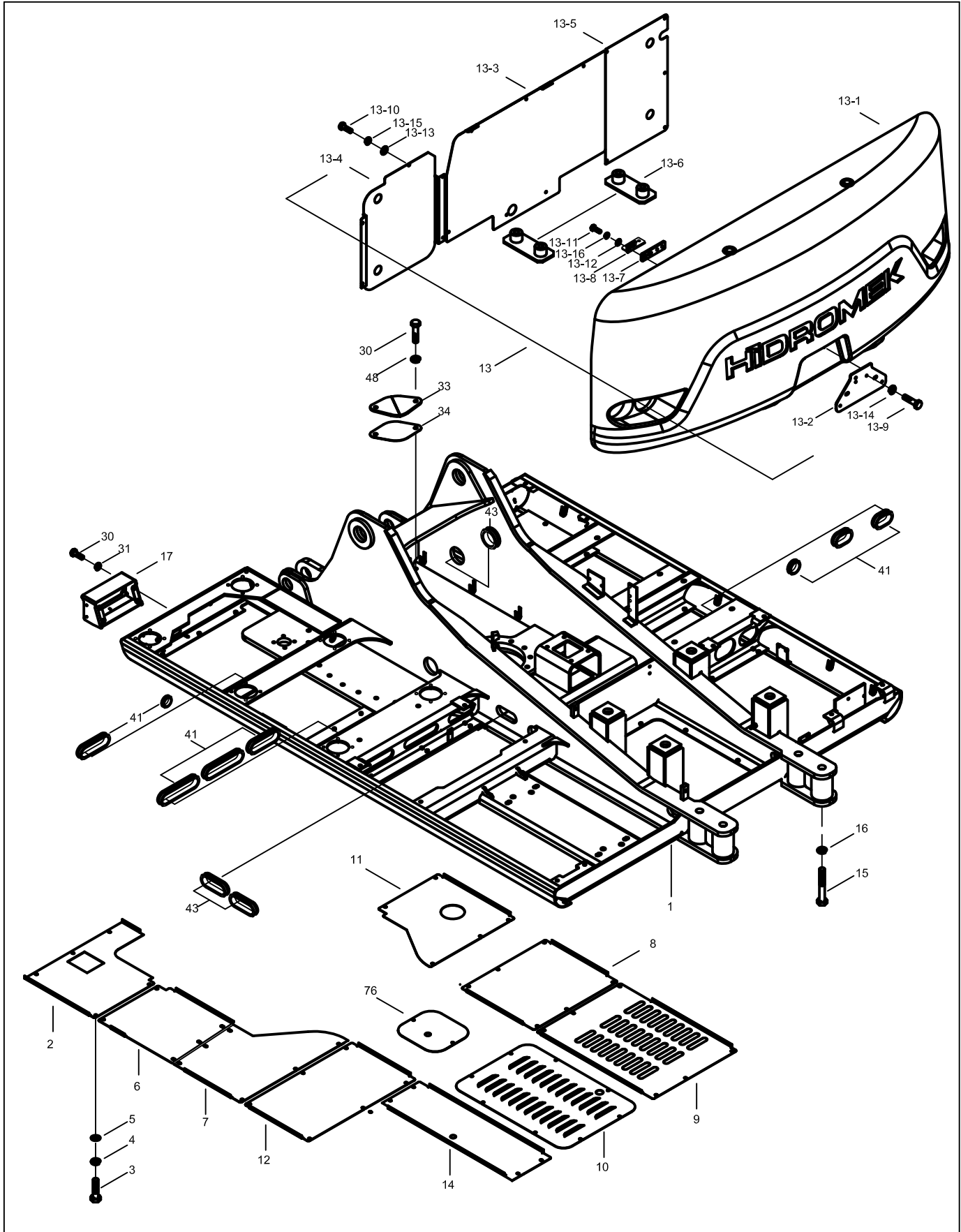
NOT: Bu görüntü 9123510- seri nolu makineden itibaren geçerlidir.  
NOTE: This view is valid from 9123510- serial number machine.

## ARASAC MONTAJI COVERPLATES MOUNTING



Bu görüntü 9123510- nolu makinalar için geçerlidir./  
This view is valid for 9123510- serial numbered machines.

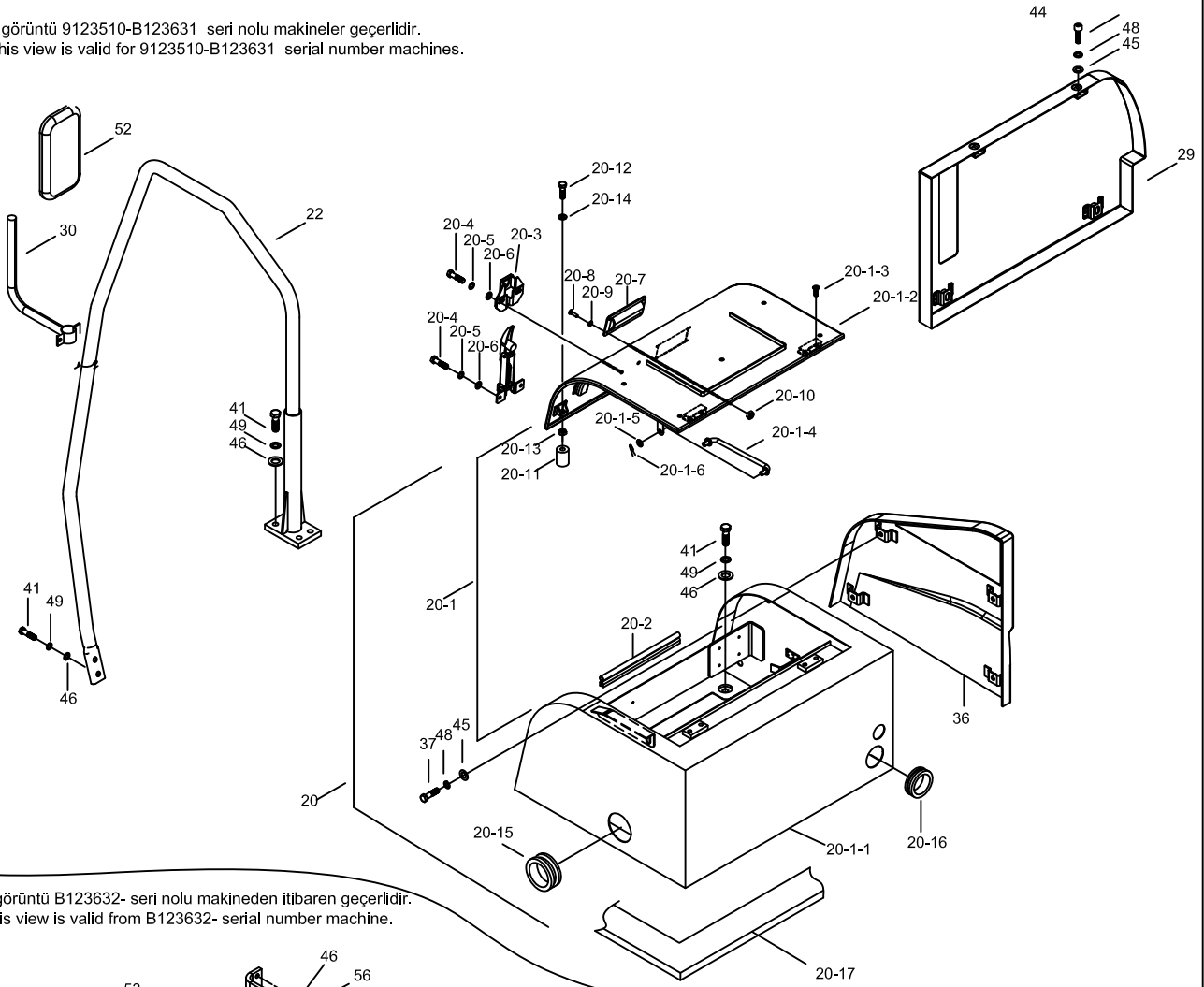
## ÜST ŞASE MONTAJI UPPER FRAME MOUNTING



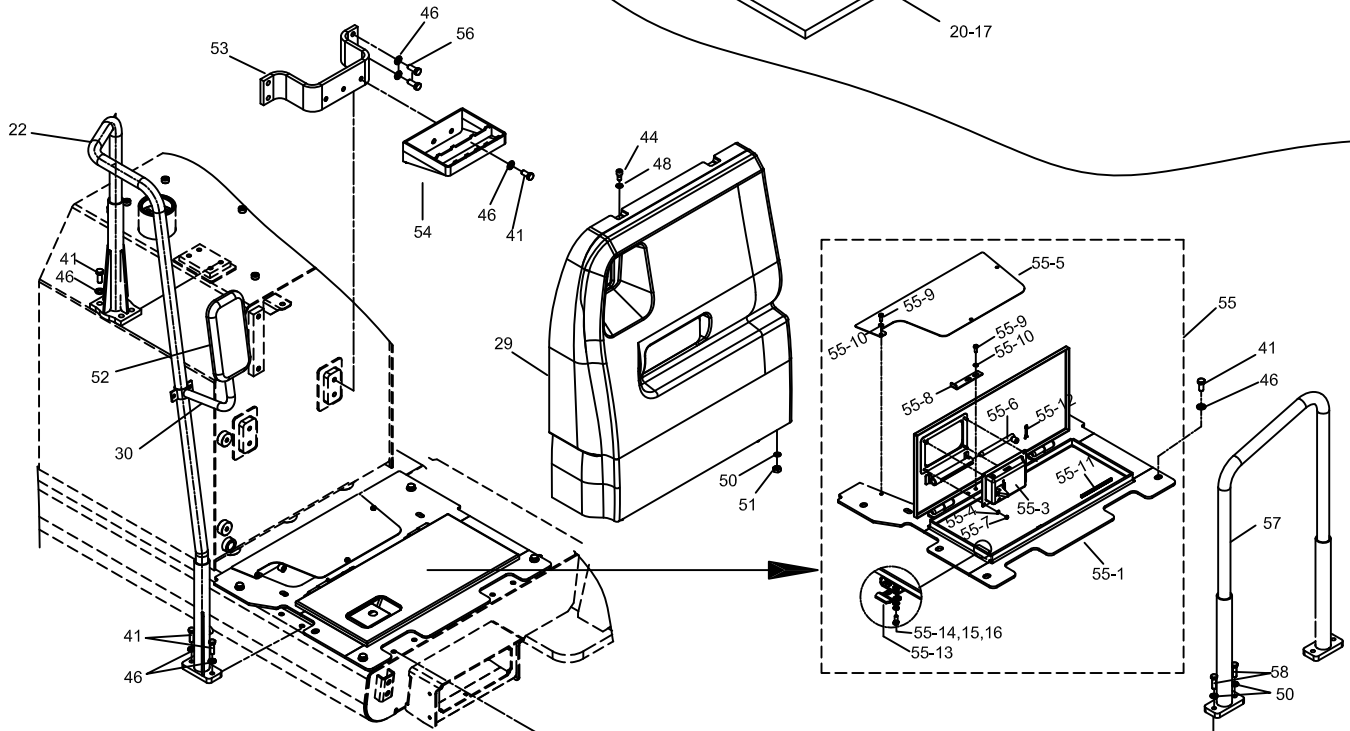
NOT: Bu görüntü 9123501-9123509 seri nolu makineler için geçerlidir.  
NOTE: This view is valid for 9123501-9123509 serial number machines.

## TAKIM SANDIĞI MONTAJI TOOL BOX MOUNTING

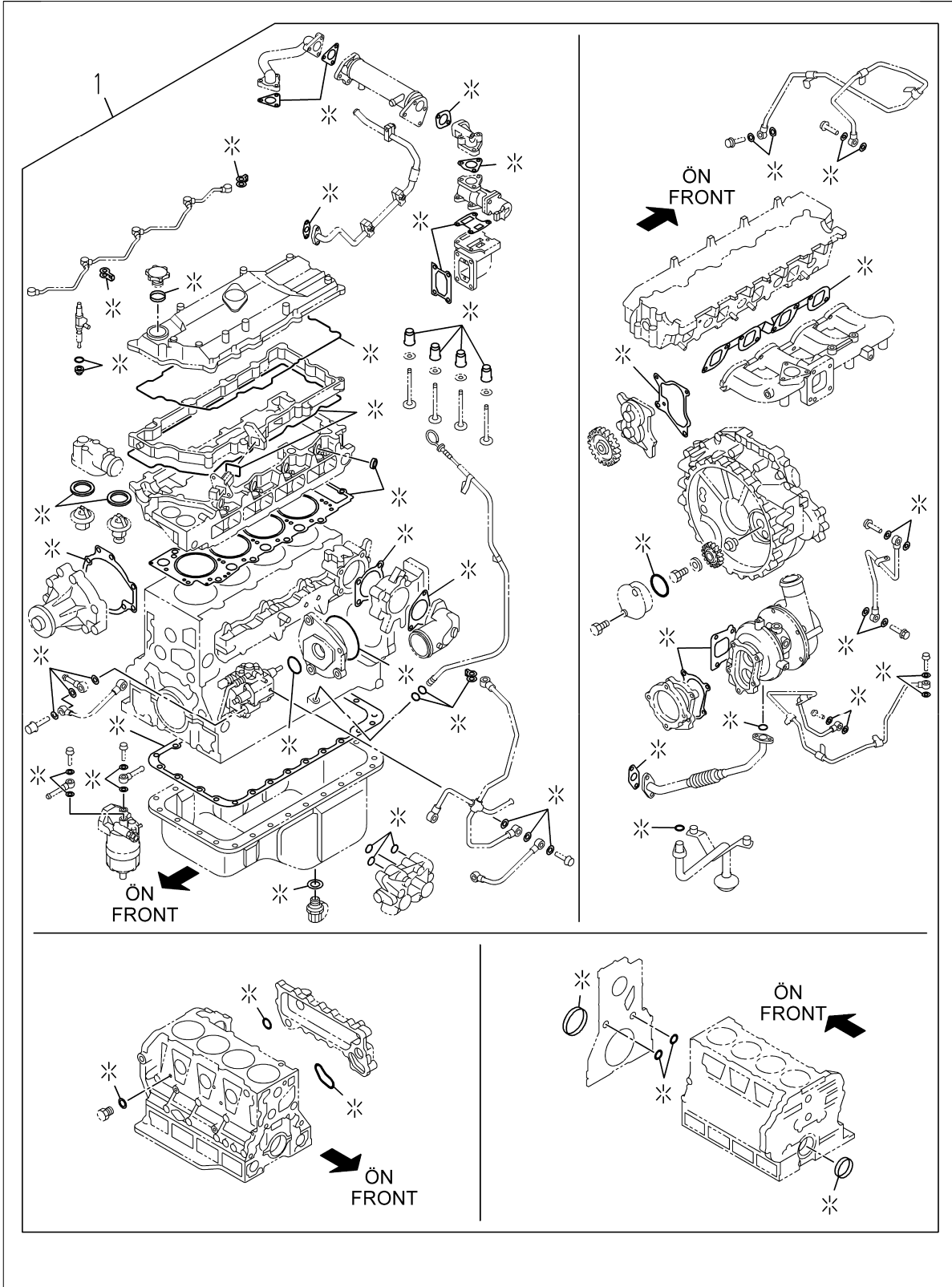
NOT: Bu görüntü 9123510-B123631 seri nolu makineler geçerlidir.  
NOTE: This view is valid for 9123510-B123631 serial number machines.



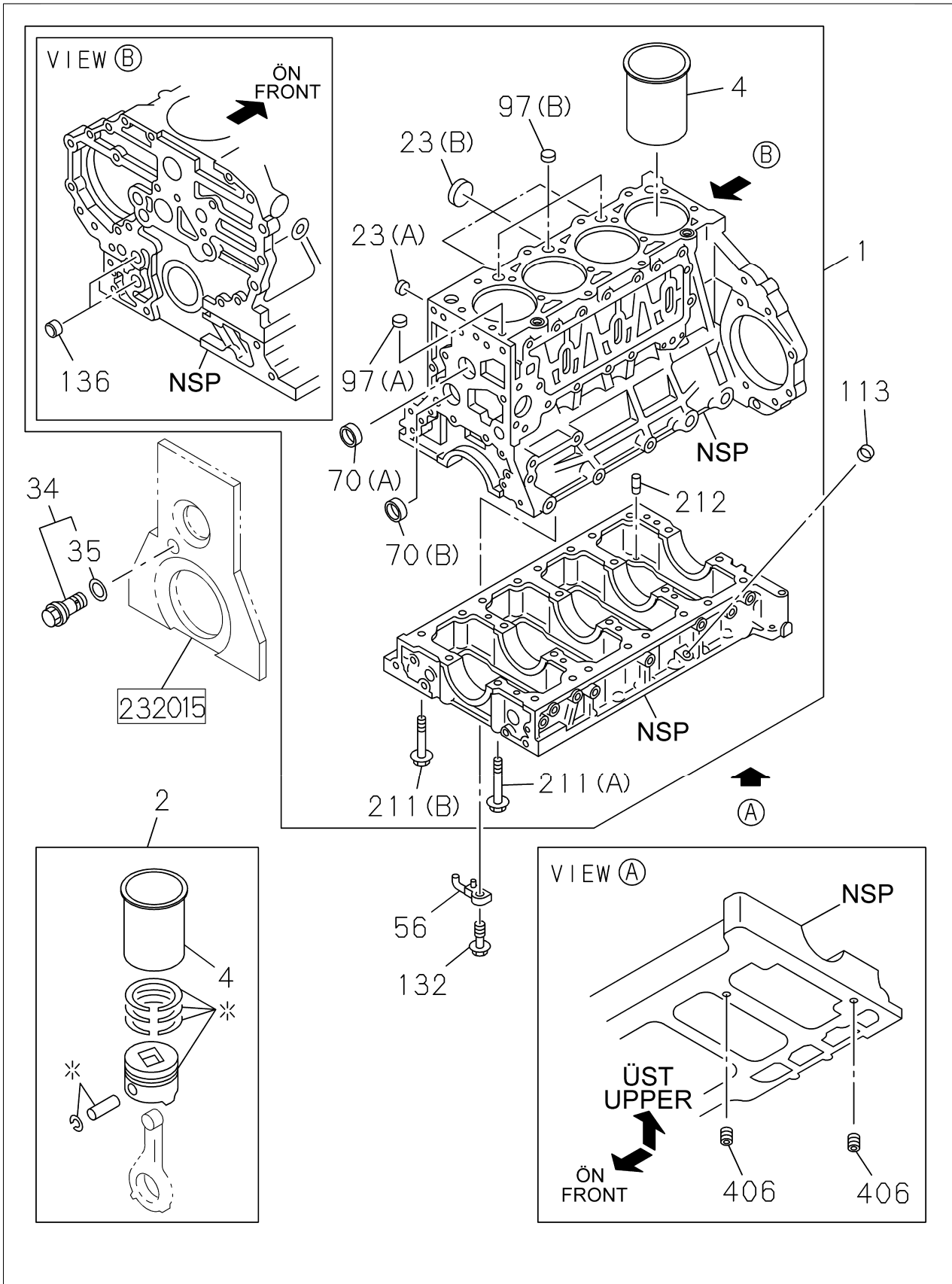
NOT: Bu görüntü B123632- seri nolu makineden itibaren geçerlidir.  
NOTE: This view is valid from B123632- serial number machine.



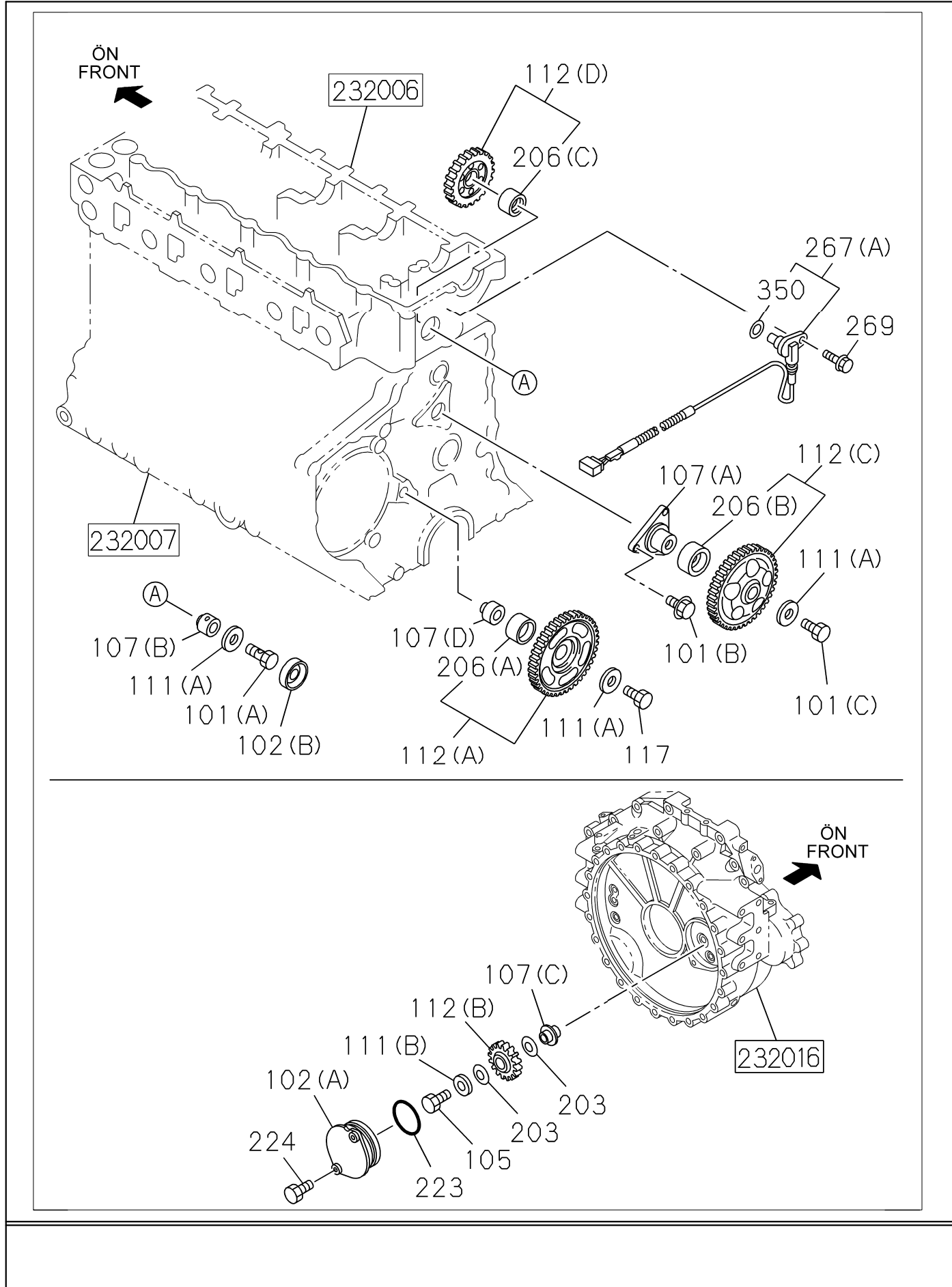
# MOTOR TAMİR TAKIMI ENGINE OVERHAUL GASKET KIT



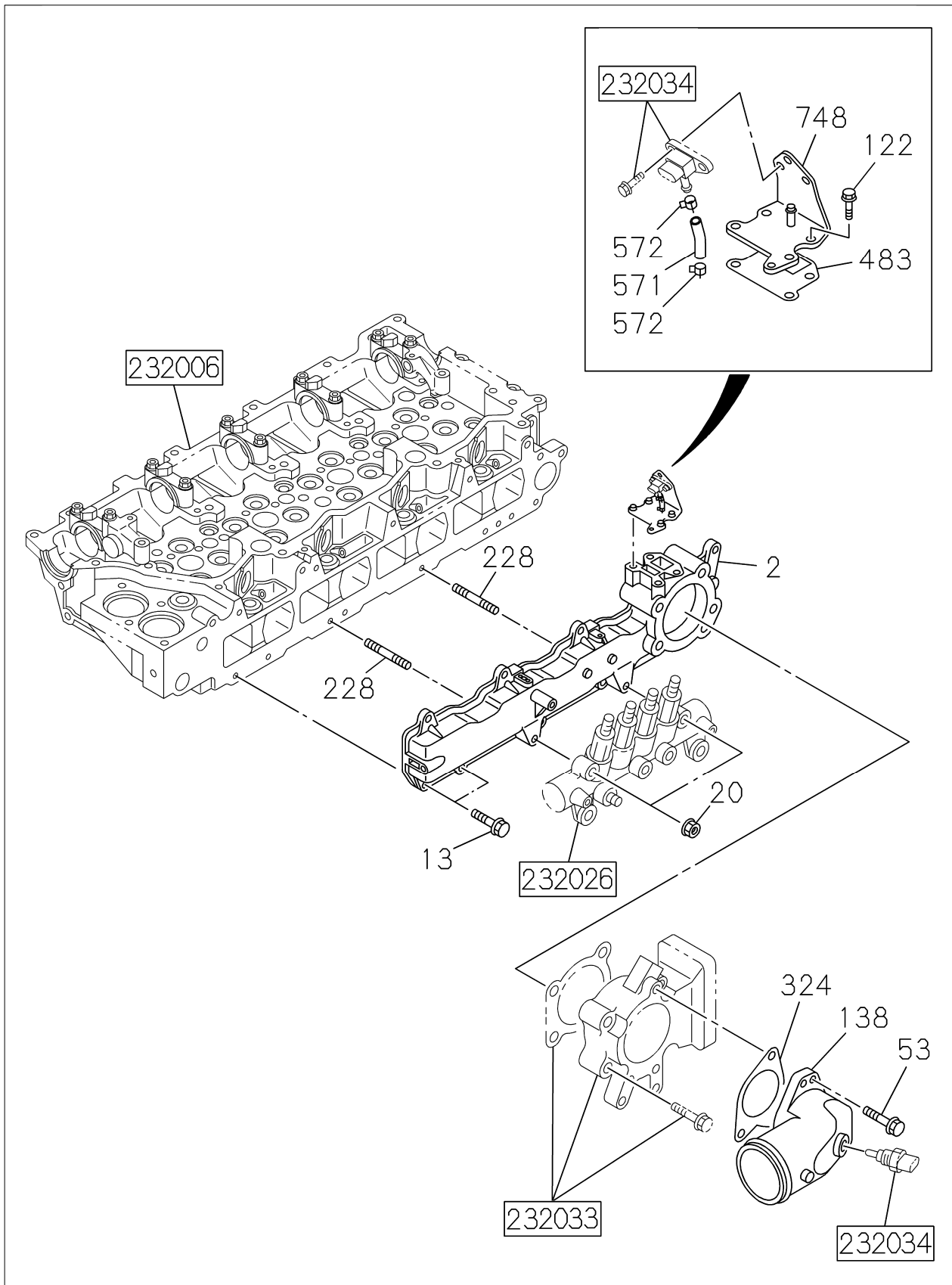
## SİLİNDİR BLOK MONTAJI CYLINDER BLOCK ASSEMBLY



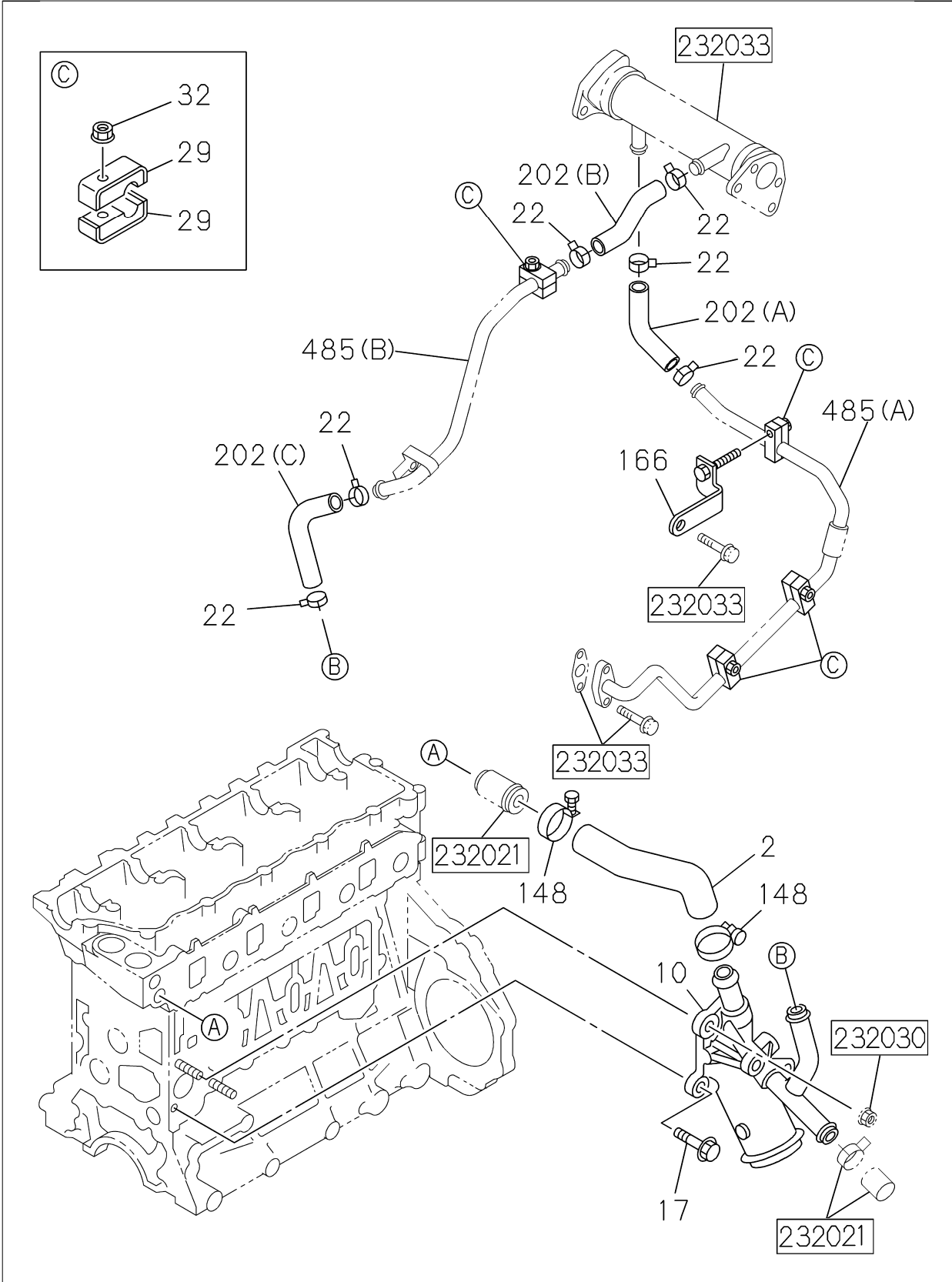
## ZAMANLAMA DİŞLİSİ TIMING GEAR



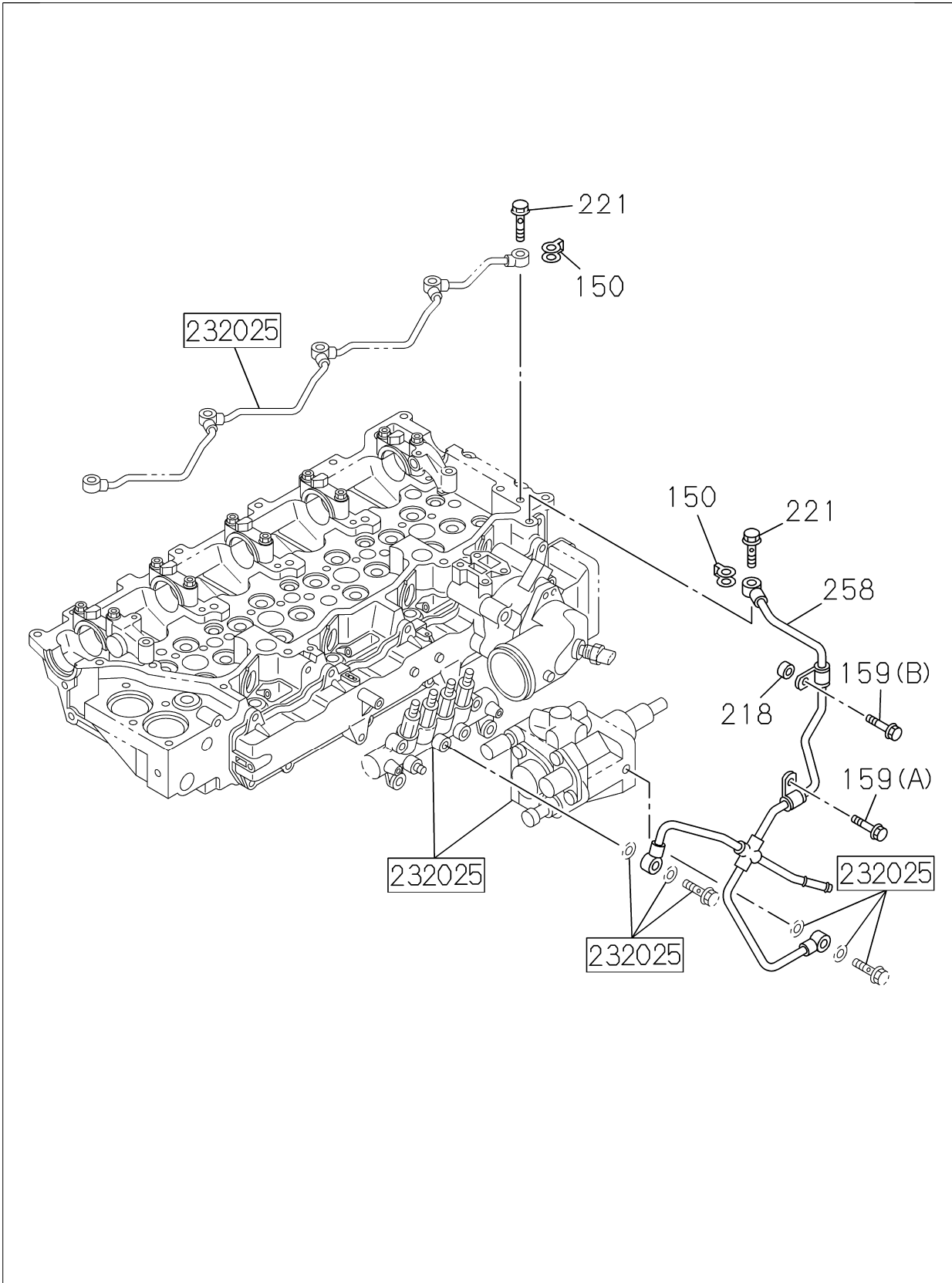
## EMME MANIFOLDU INLET MANIFOLD

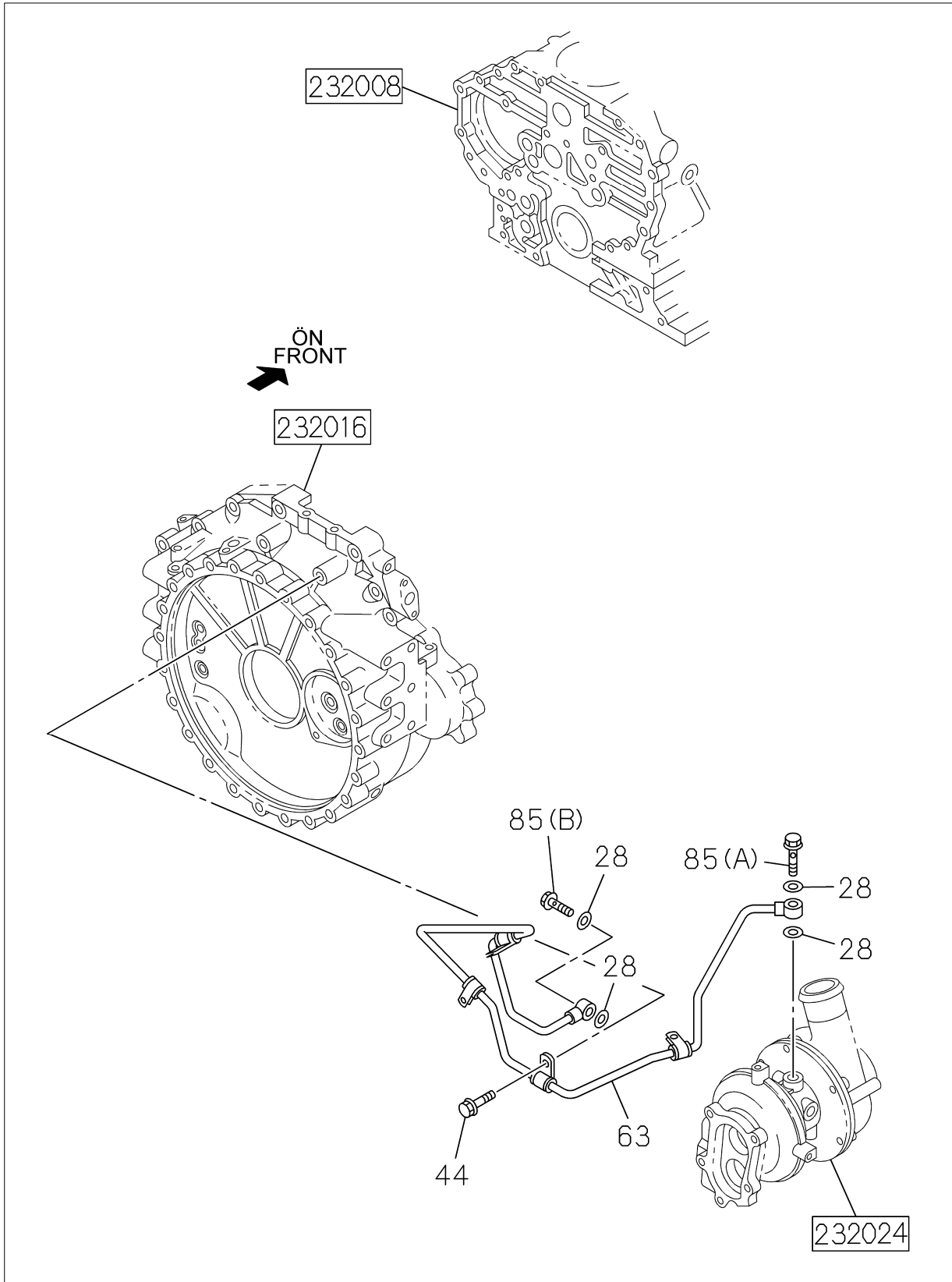


**EGR SOĞUTUCU TESİSATI**  
**EGR WATER PIPING**



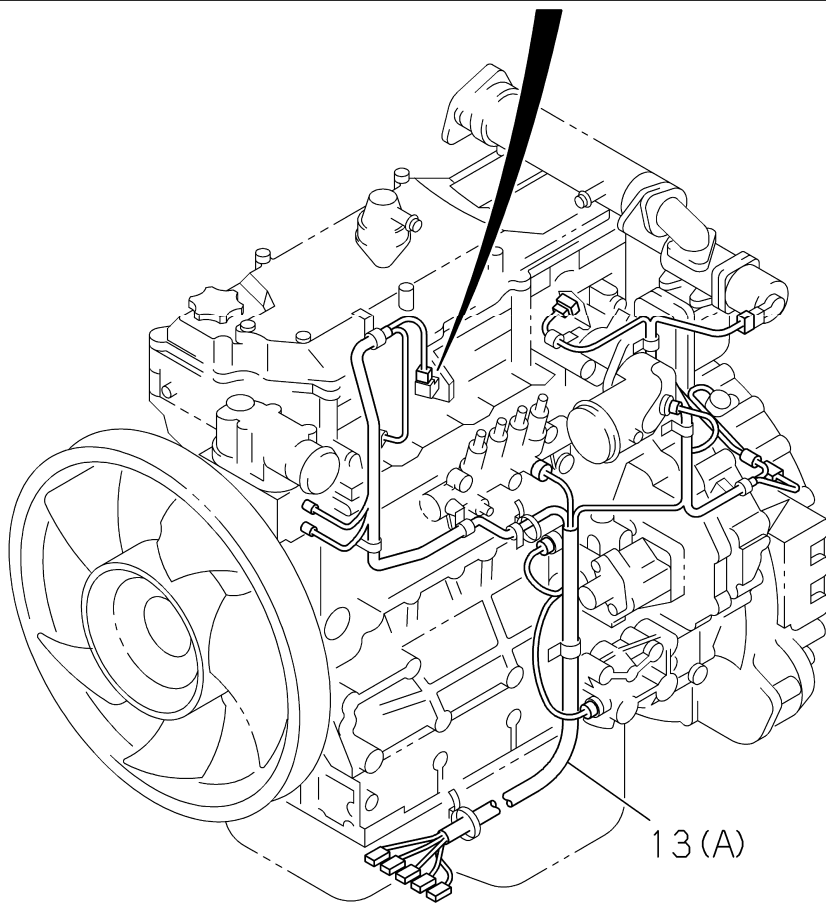
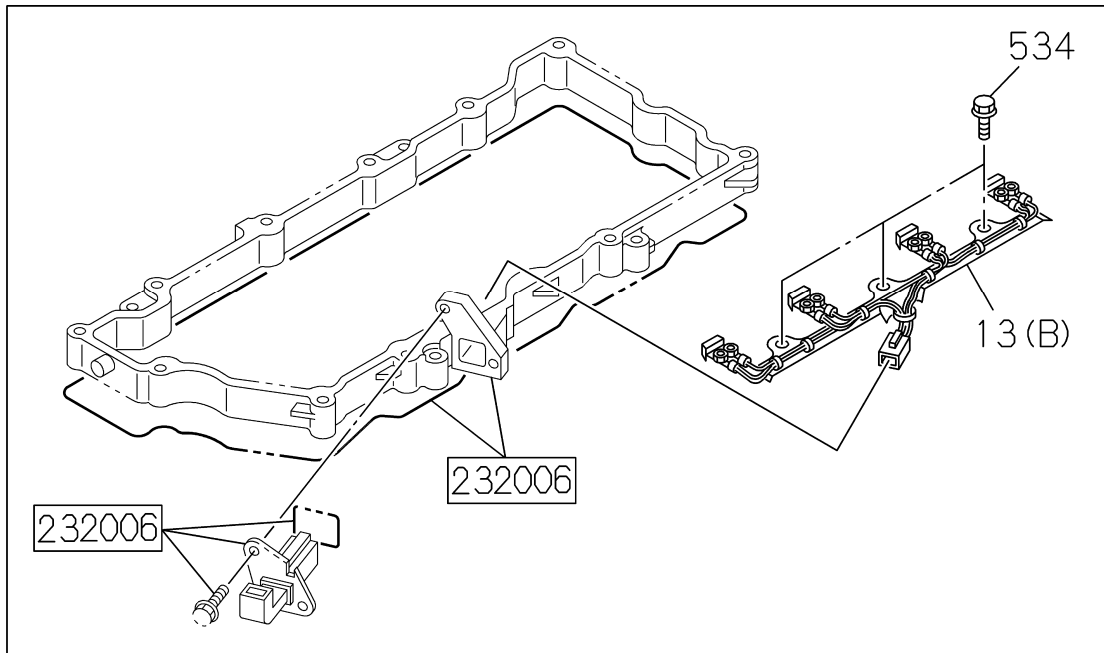
# YAKIT TESİSATI-3 FUEL INJECTION SYSTEM-3



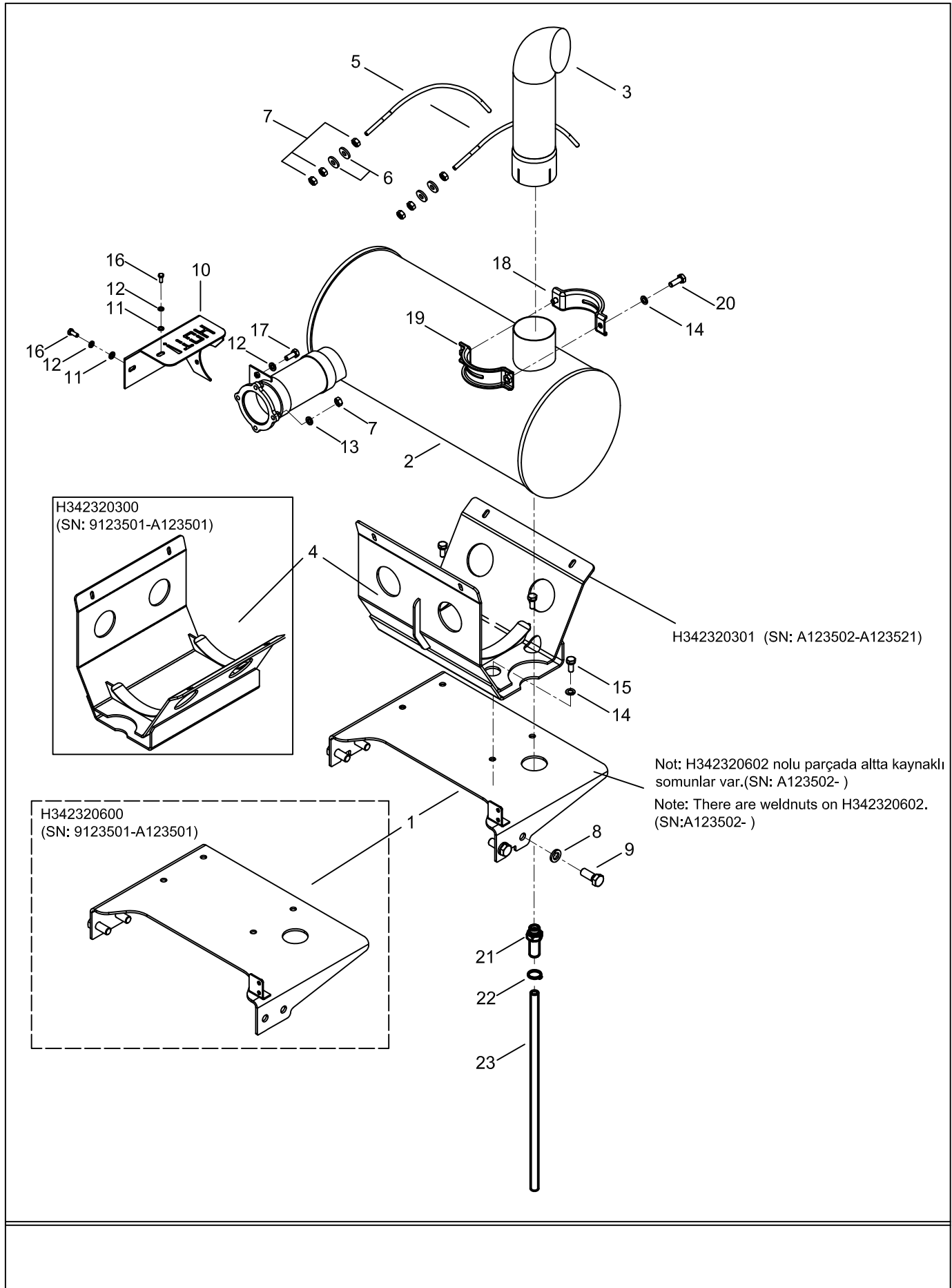
**YAĞLAMA TESİSATI  
OIL PIPING**

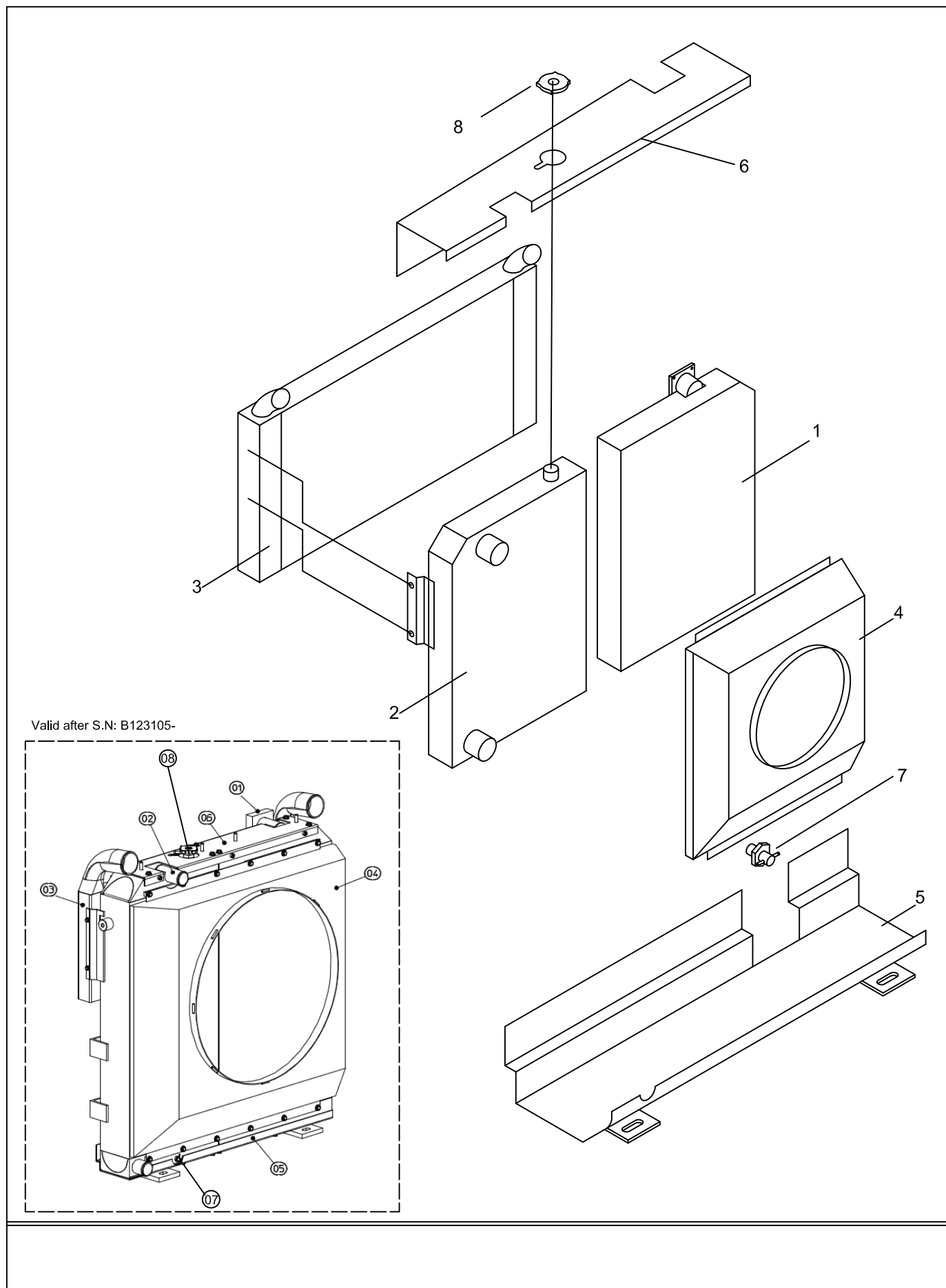


# MOTOR ELEKTRİK TESİSATI WIRING HARNESS

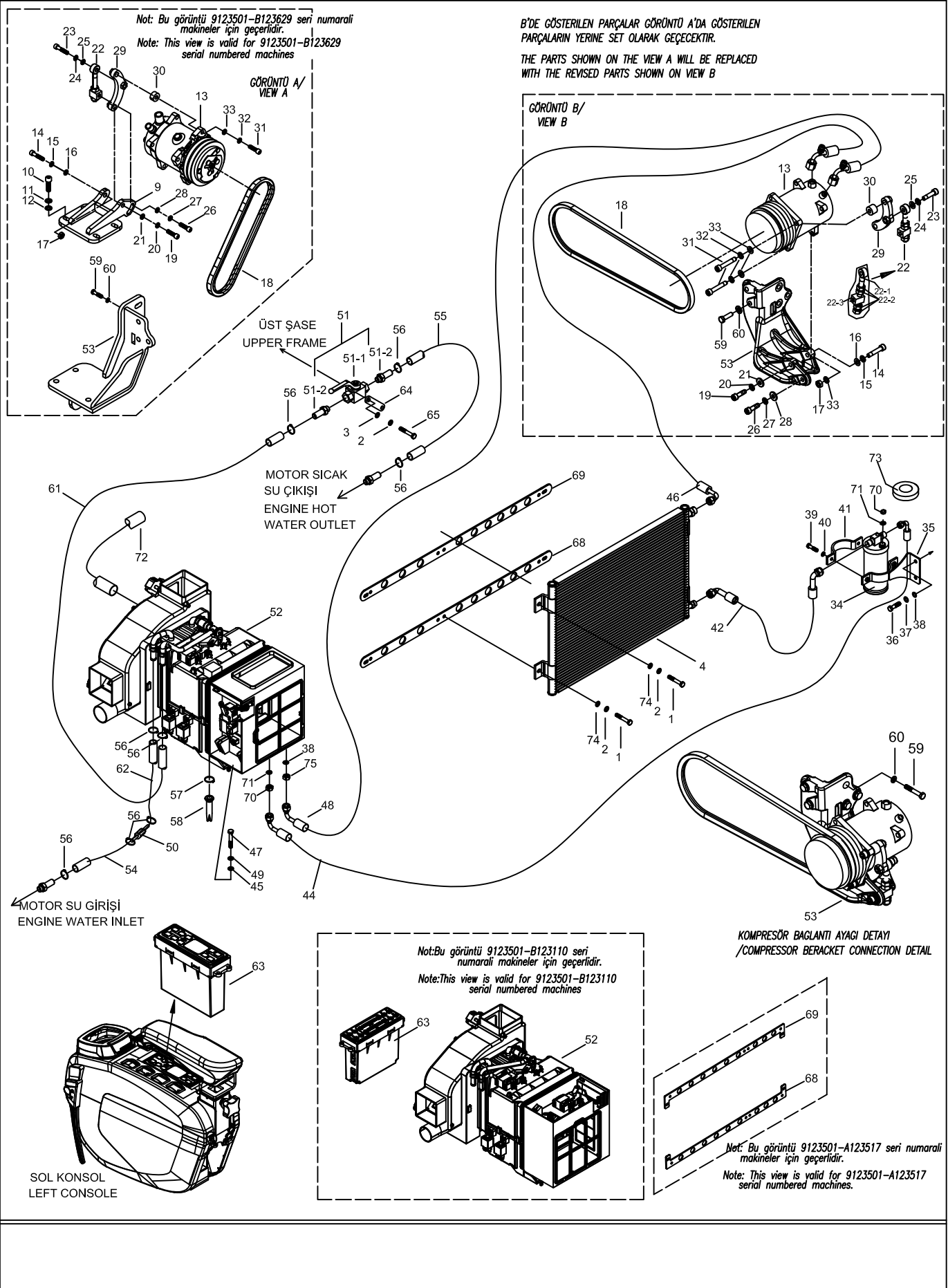


## EGZOZ MONTAJI EXHAUST MOUNTING

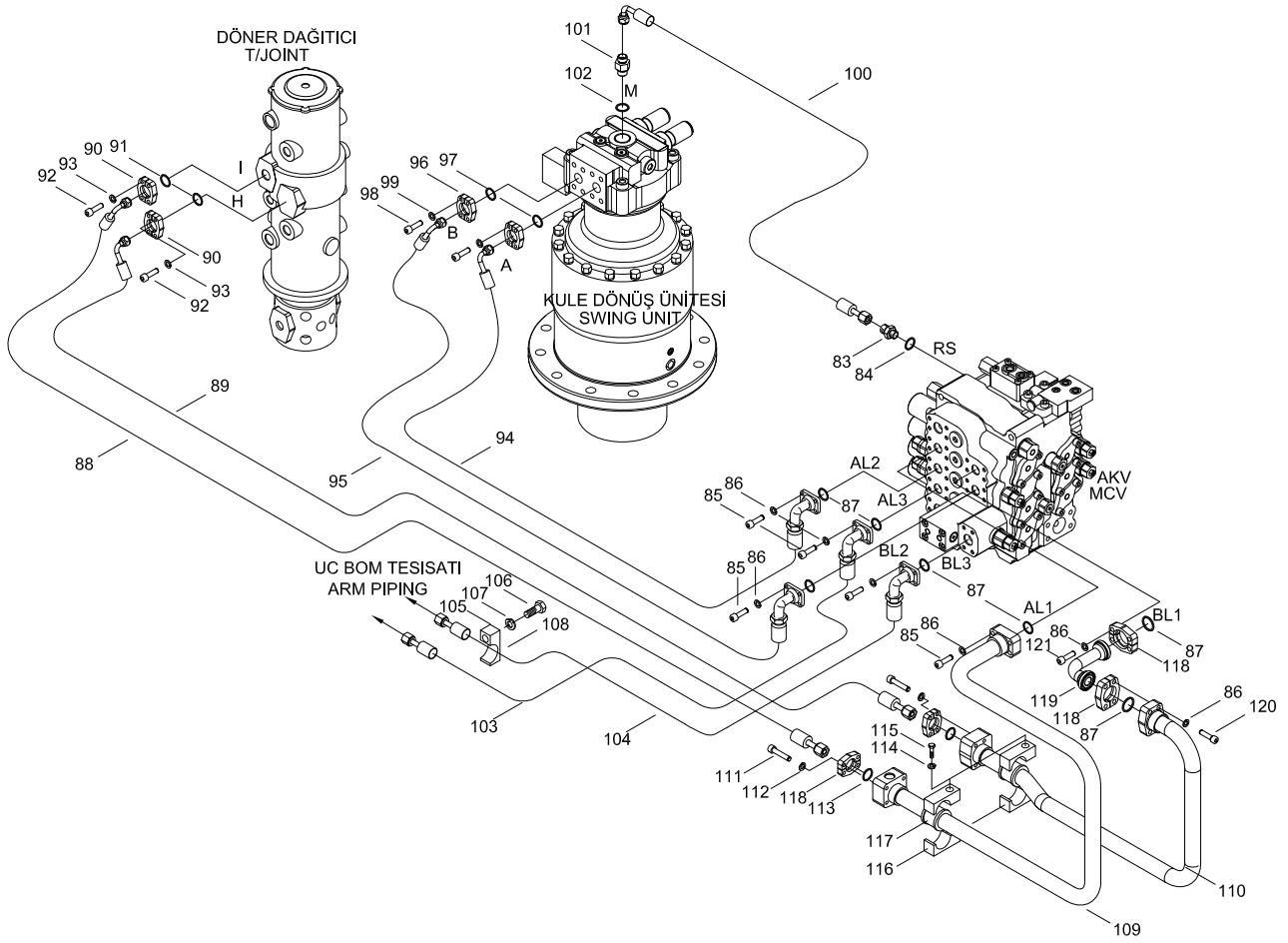


**RADYATÖR  
RADIATOR**

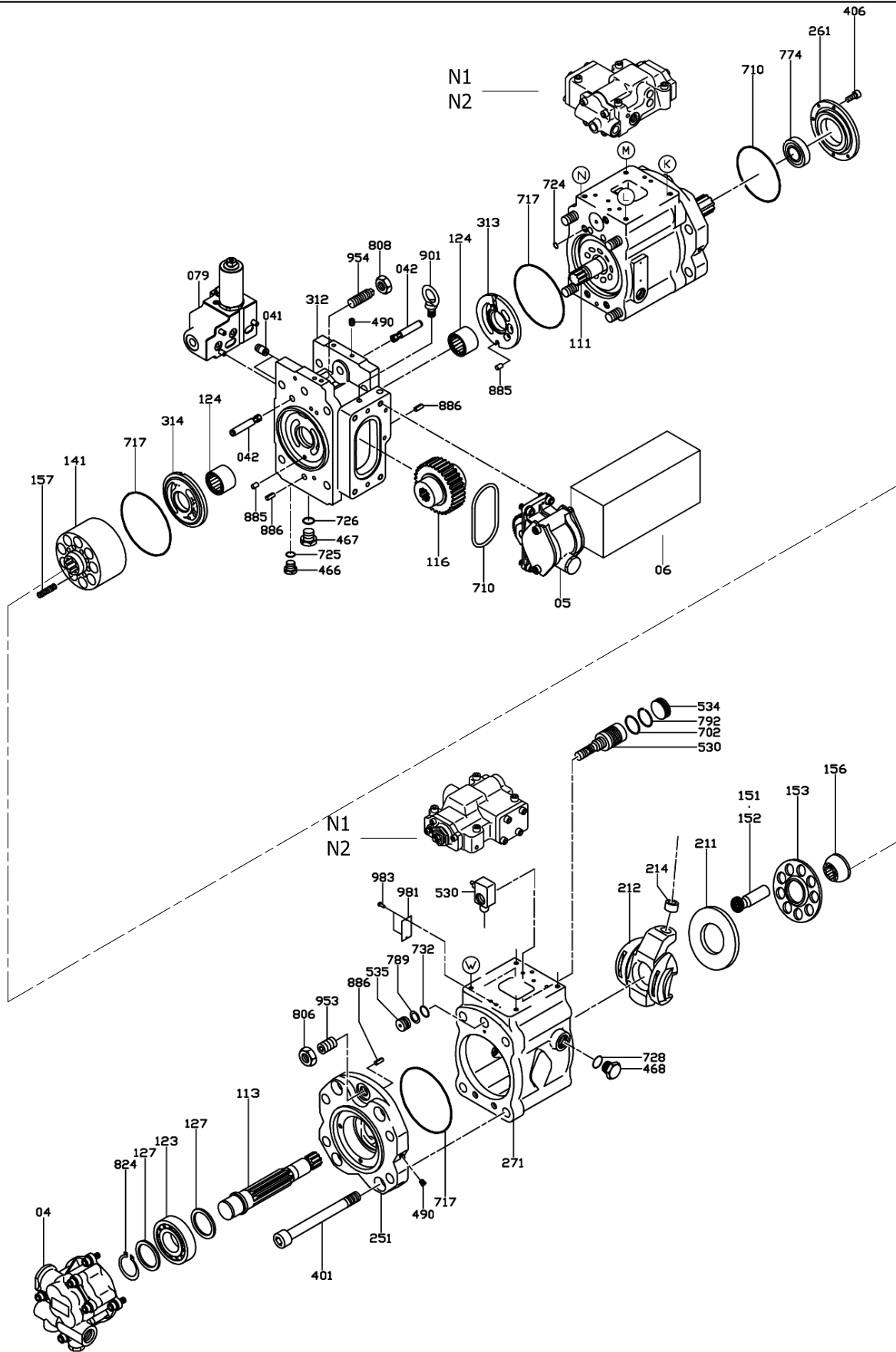
# KLİMA MONTAJI AIRCONDITION MOUNTING



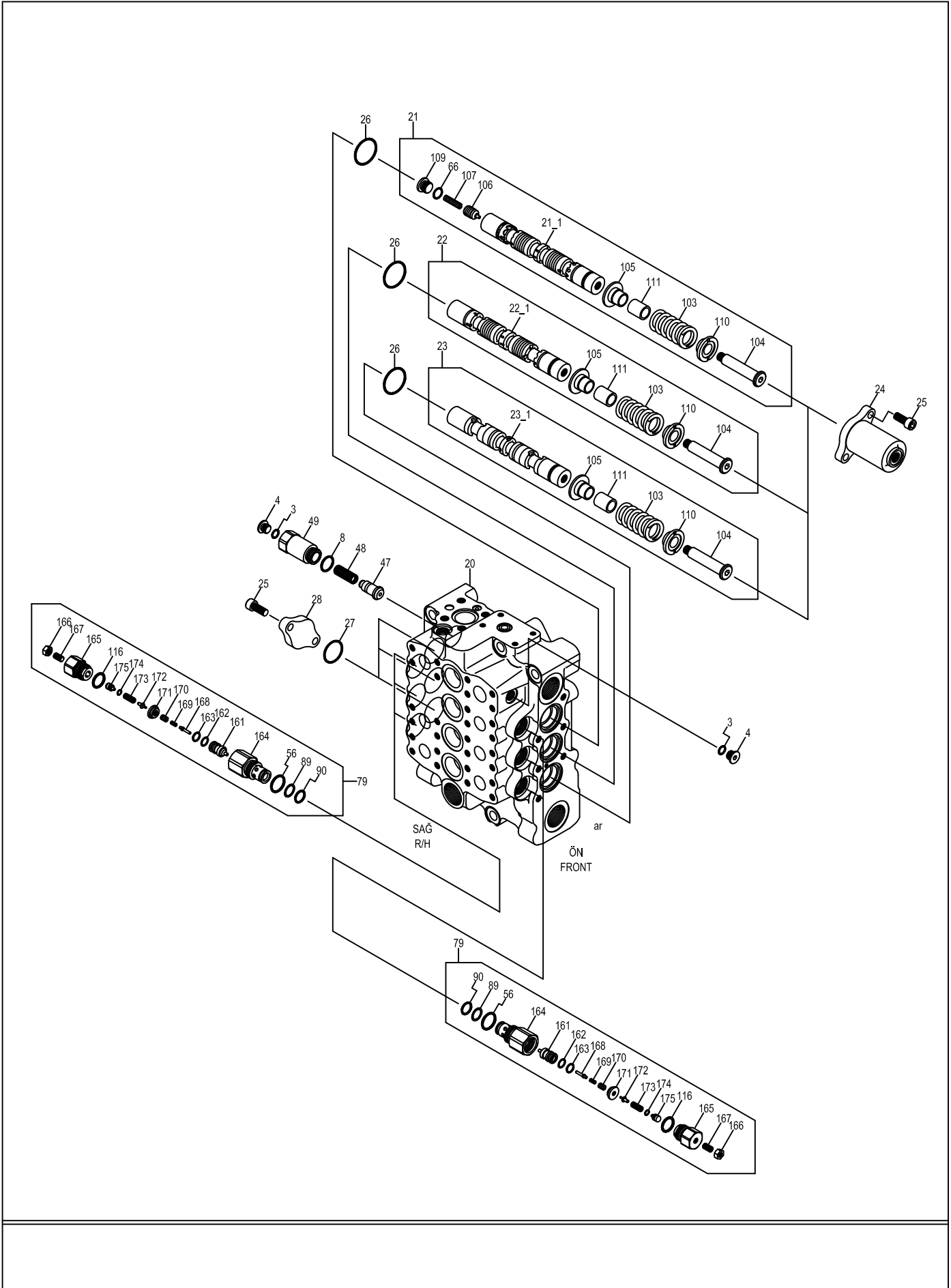
## ANA HİDROLİK MONTAJI (1) MAIN PIPING MOUNTING (1)



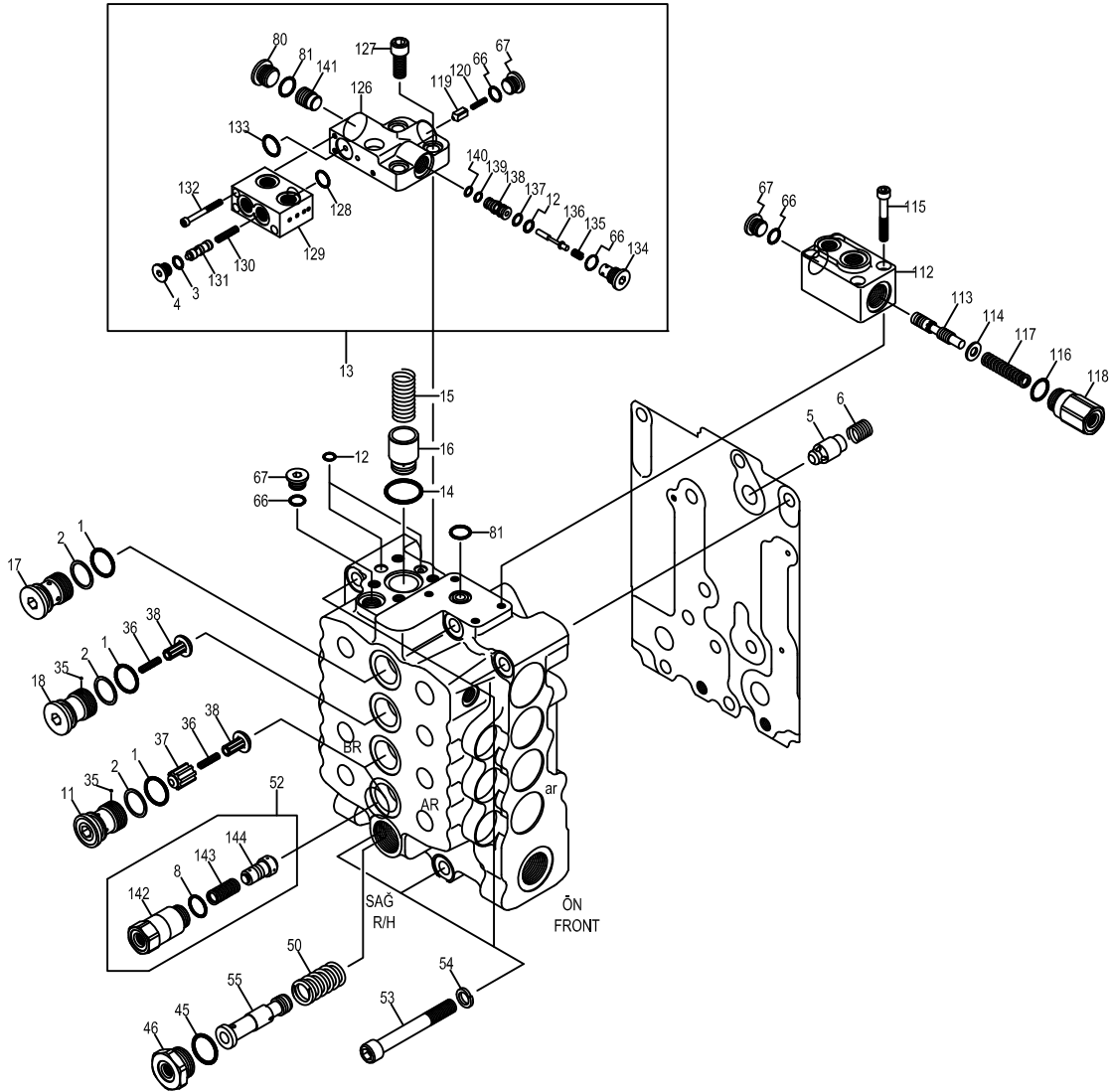
# HIDROLİK POMPA HYDRAULIC PUMP



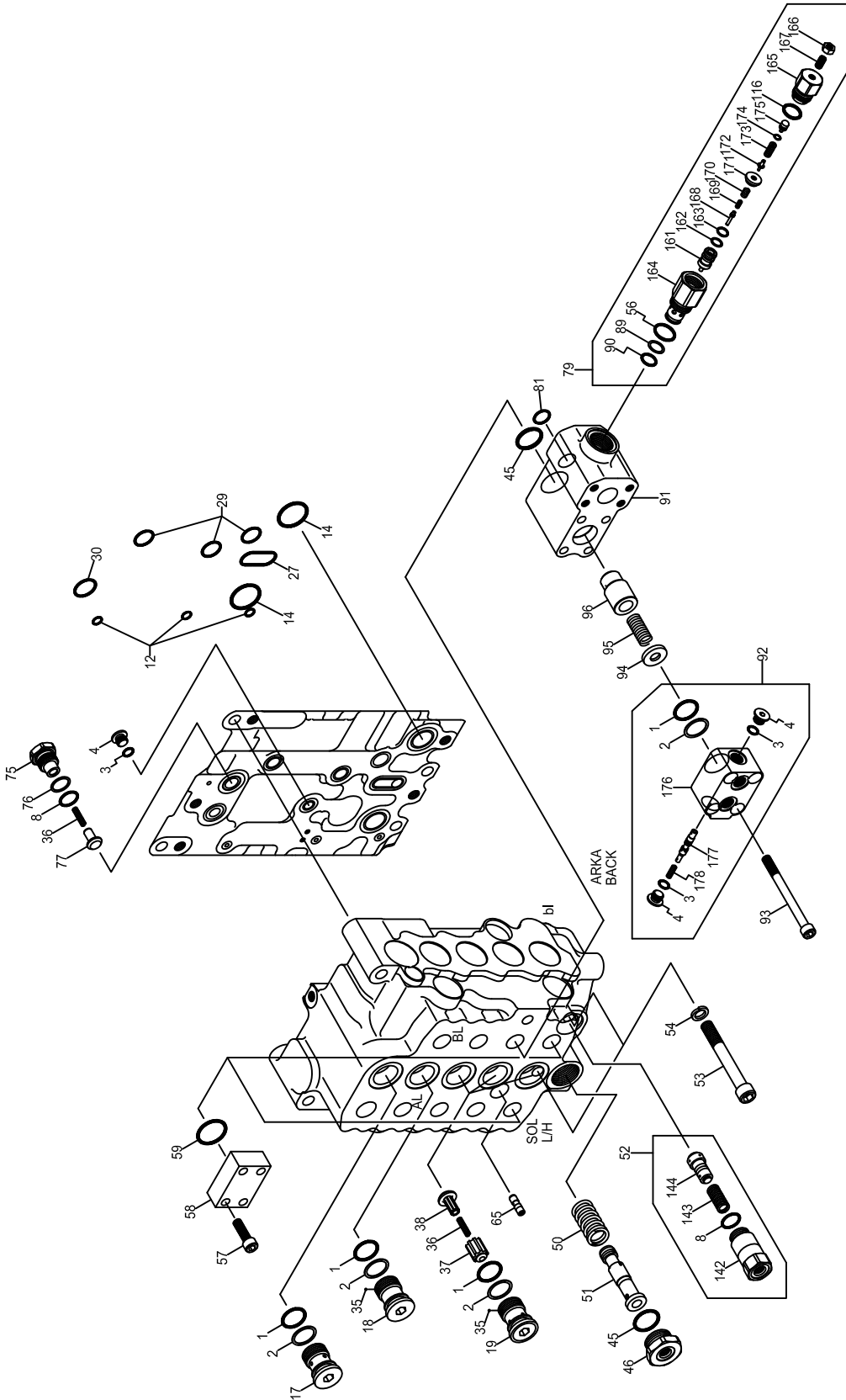
# ANA KONTROL VALFİ (1) MAIN CONTROL VALVE (1)



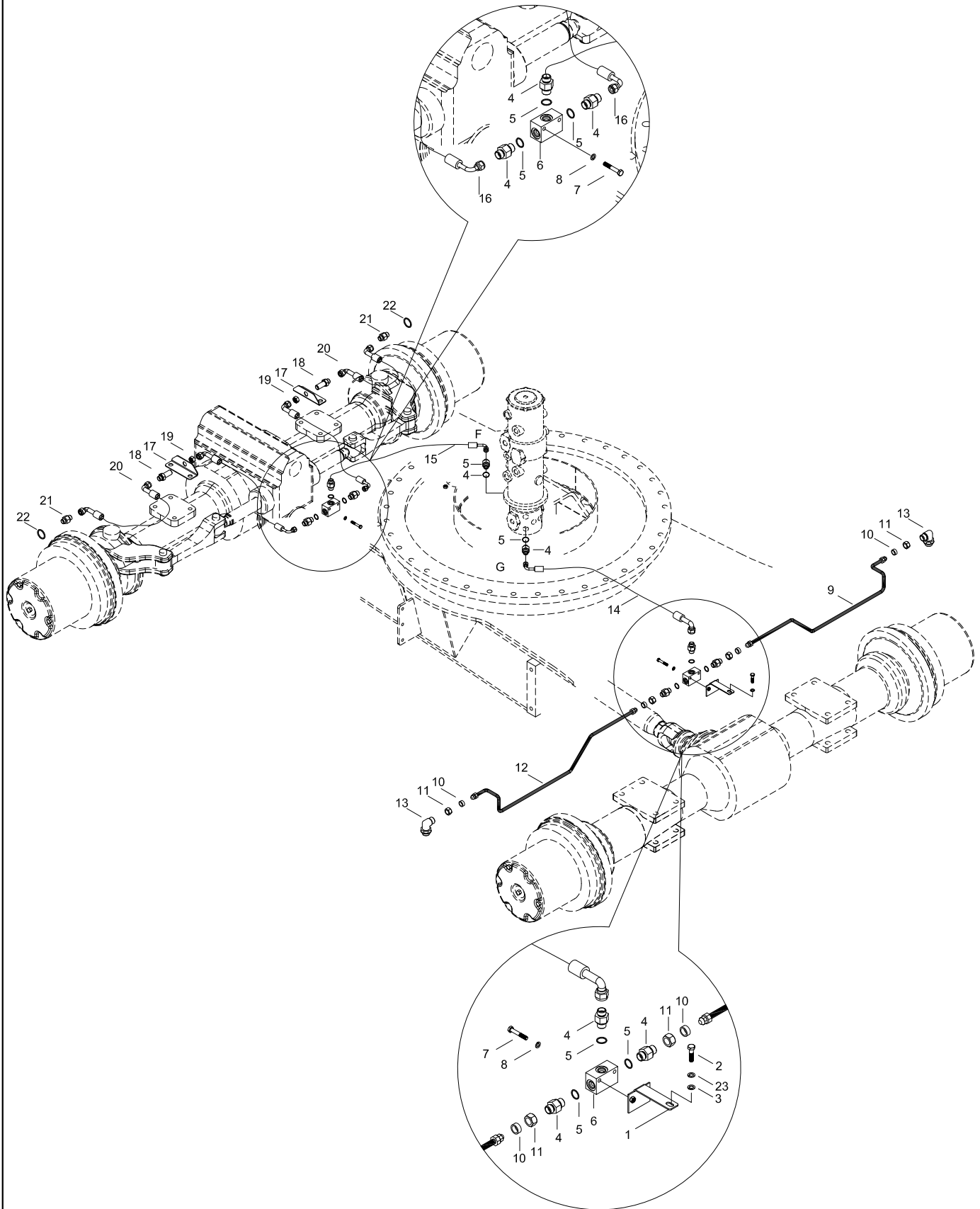
## ANA KONTROL VALFİ (2) MAIN CONTROL VALVE (2)



# ANA KONTROL VALFİ (4) MAIN CONTROL VALVE (4)



## ALT ŞASE HİDROLİK MONTAJI (2) LOWER FRAME HYDRAULIC MOUNTING (2)



CLICK HERE TO **DOWNLOAD** THE COMPLETE MANUAL

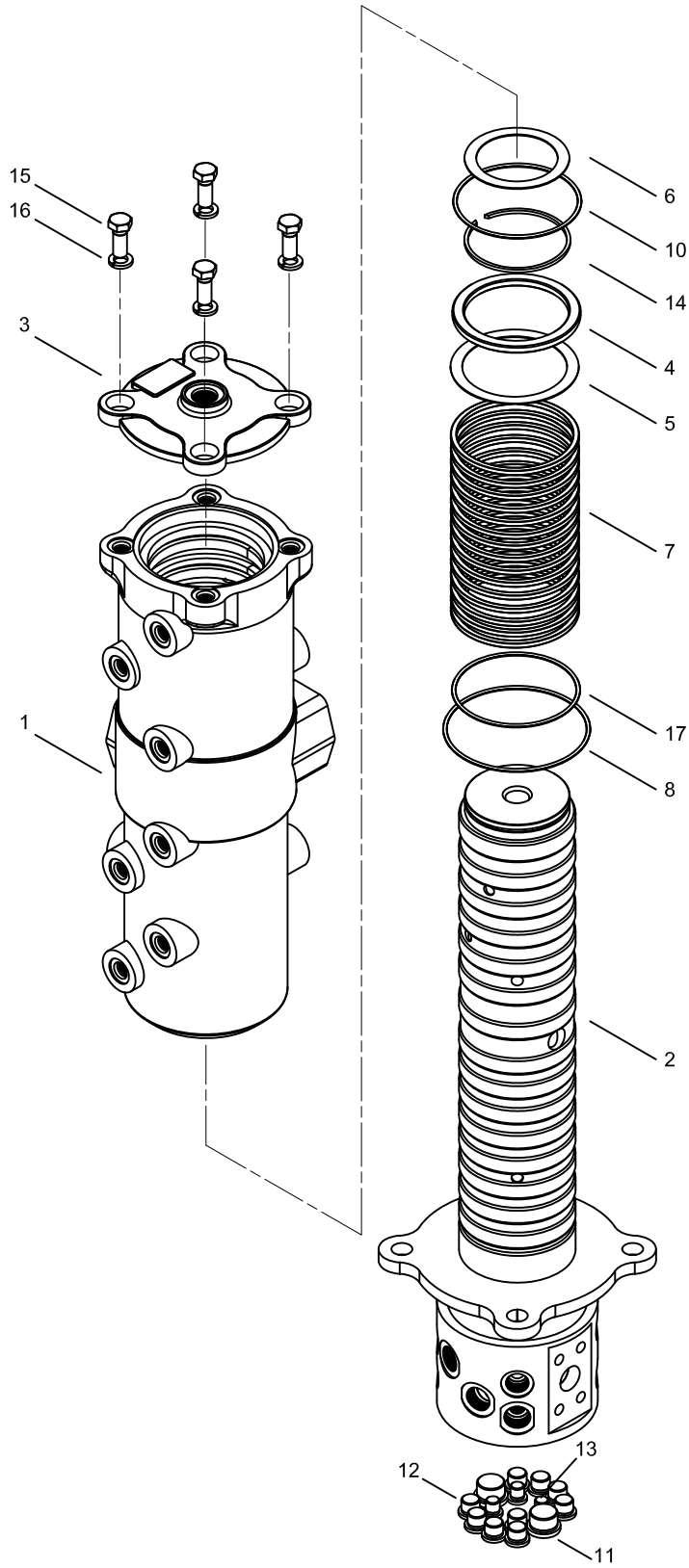
- Thank you very much for reading the preview of the manual.
- You can download the complete manual from: [www.heydownloads.com](http://www.heydownloads.com) by clicking the link below



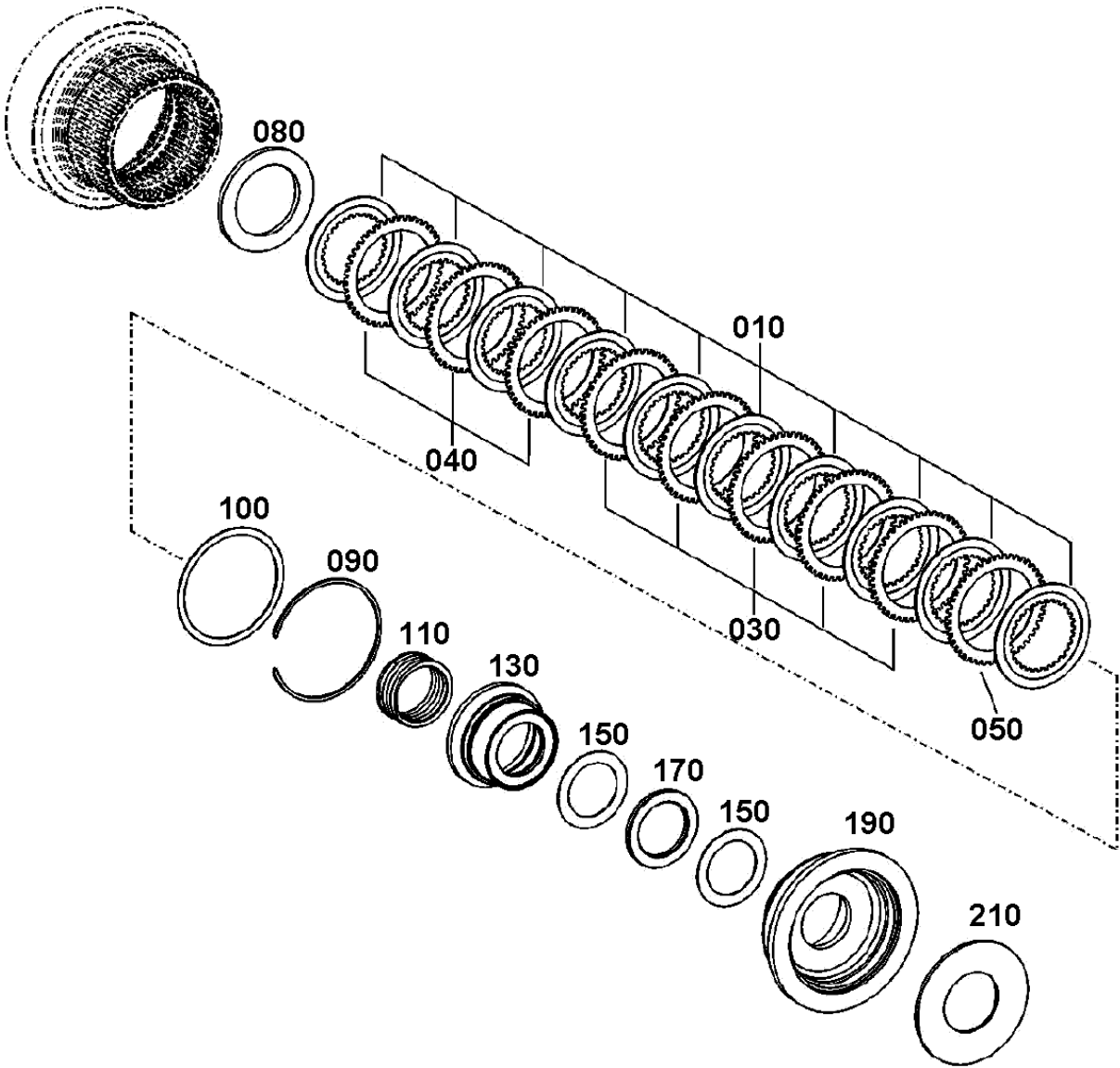
- Please note: If there is no response to CLICKING the link, please download this PDF first and then click on it.

CLICK HERE TO **DOWNLOAD** THE COMPLETE MANUAL

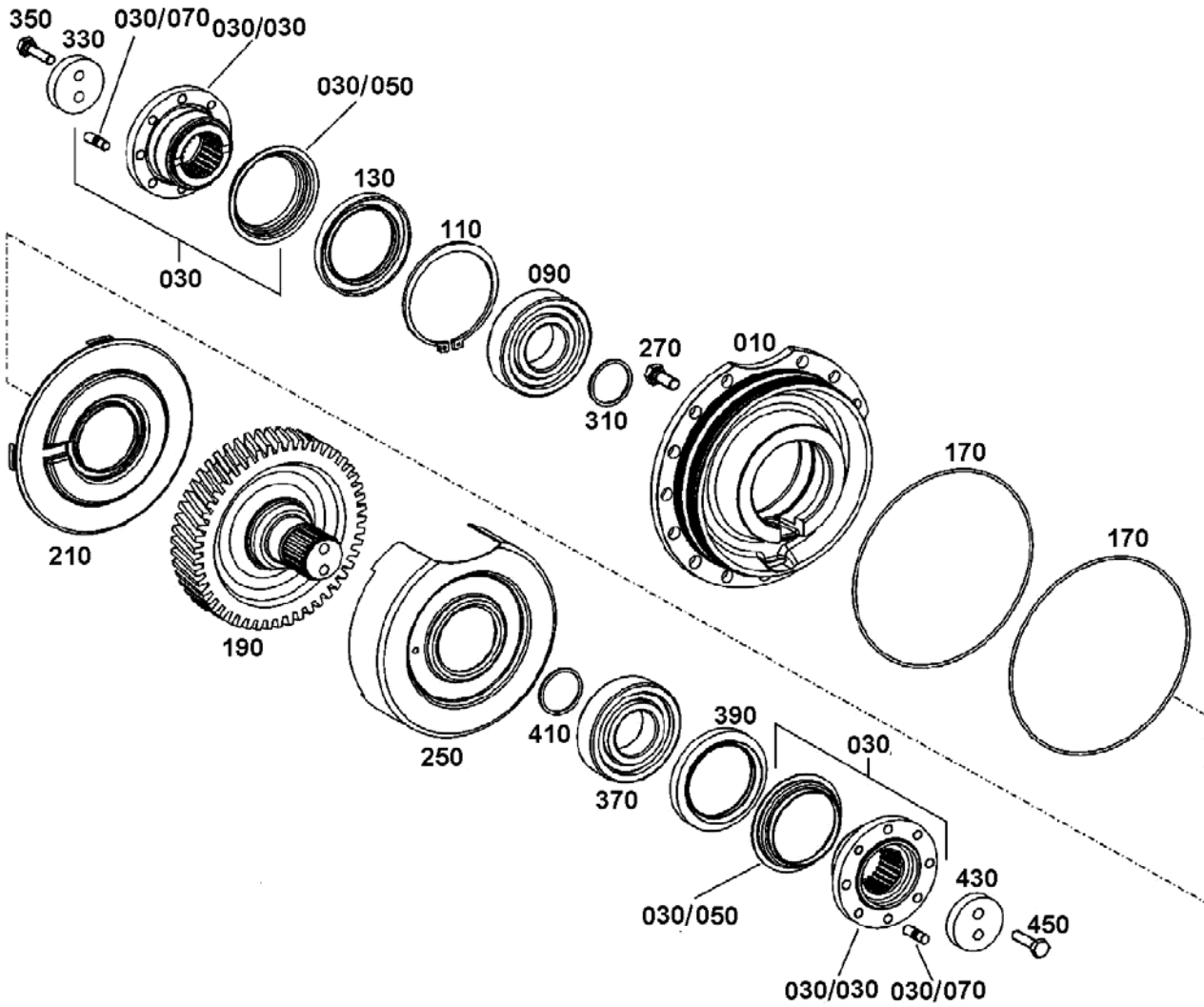
# DÖNER DAĞITICI TURNING JOINT



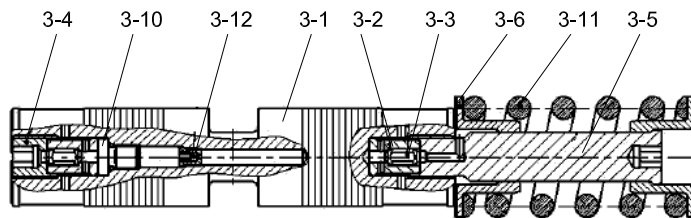
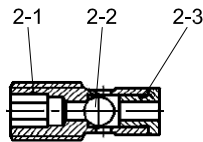
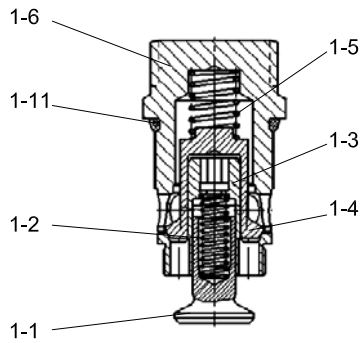
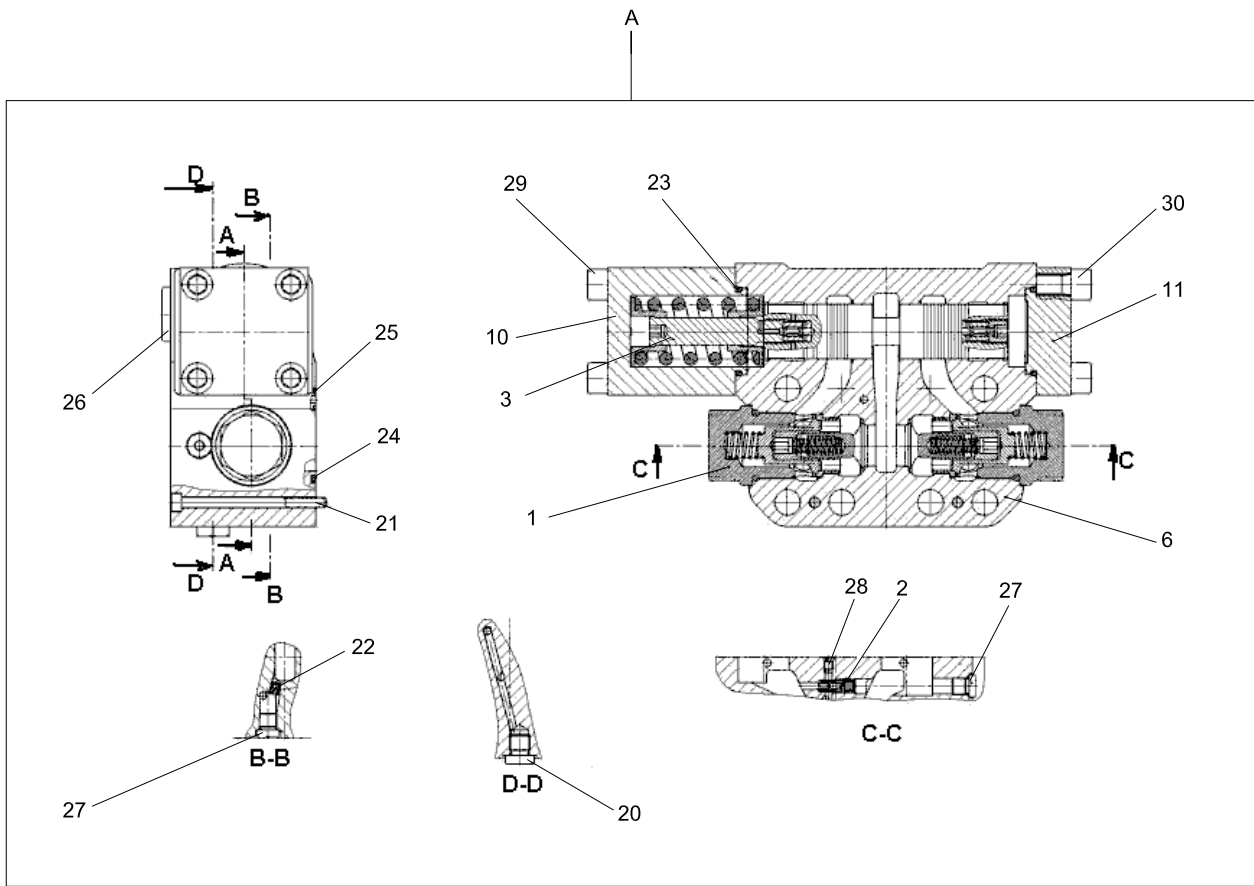
# KAVRAMA - ŞANZIMAN COUPLING - TRANSMISSION



# ÇIKTI - ŞANZIMAN OUTPUT - TRANSMISSION



# YÜRÜYÜŞ MOTORU (3) REGULATING MOTOR (3)



Dämpfung 'DOX00'

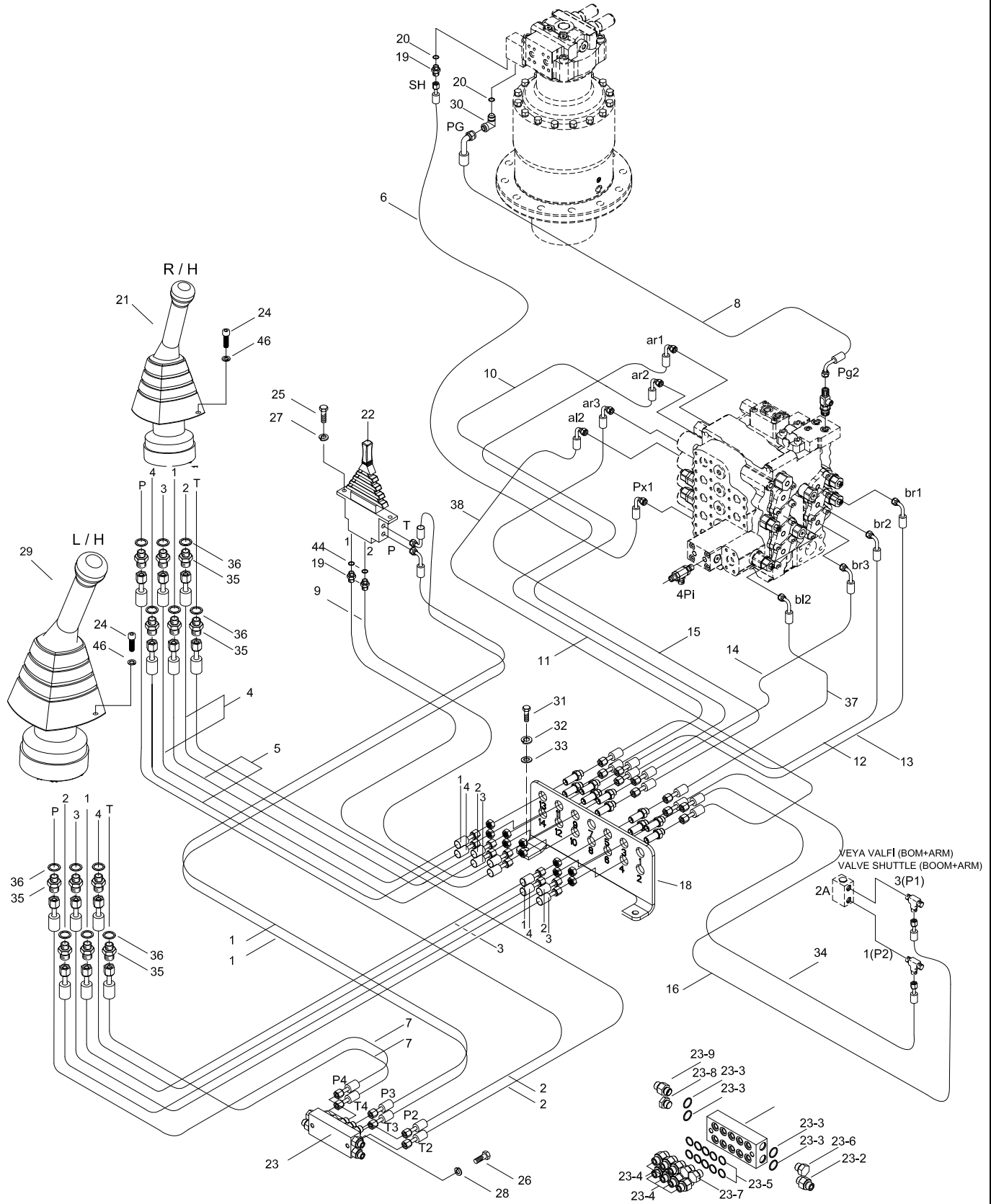


Dämpfung 'DOX0Y'



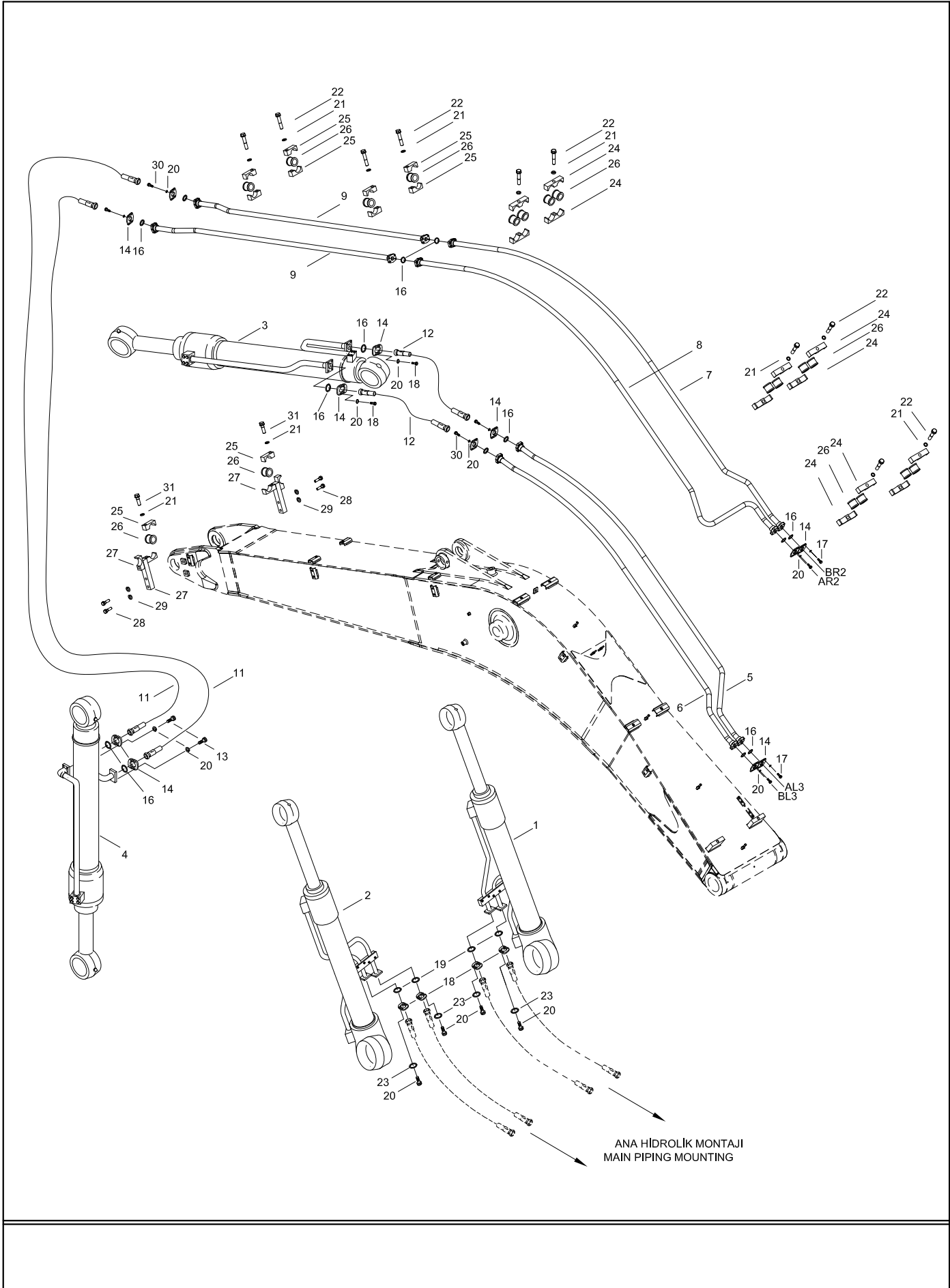


## PILOT DEVRE MONTAJI PILOT PIPING MOUNTING



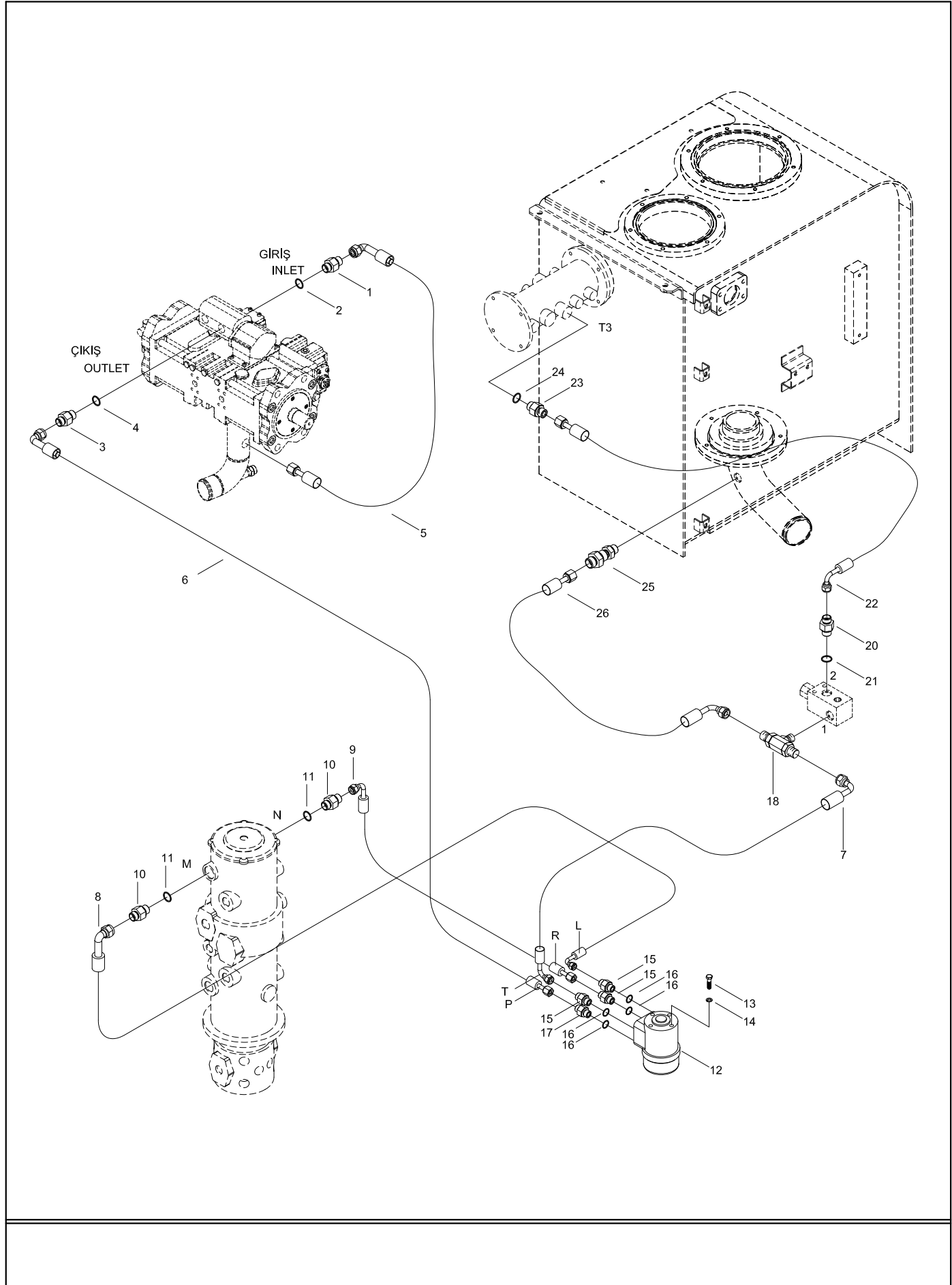
Bu görüntü A123509- nolu makinadan itibaren geçerlidir./  
This view is valid from A123509- serial numbered machine.

# ATAÇMAN TESİSATI ATTACHMENT PIPING

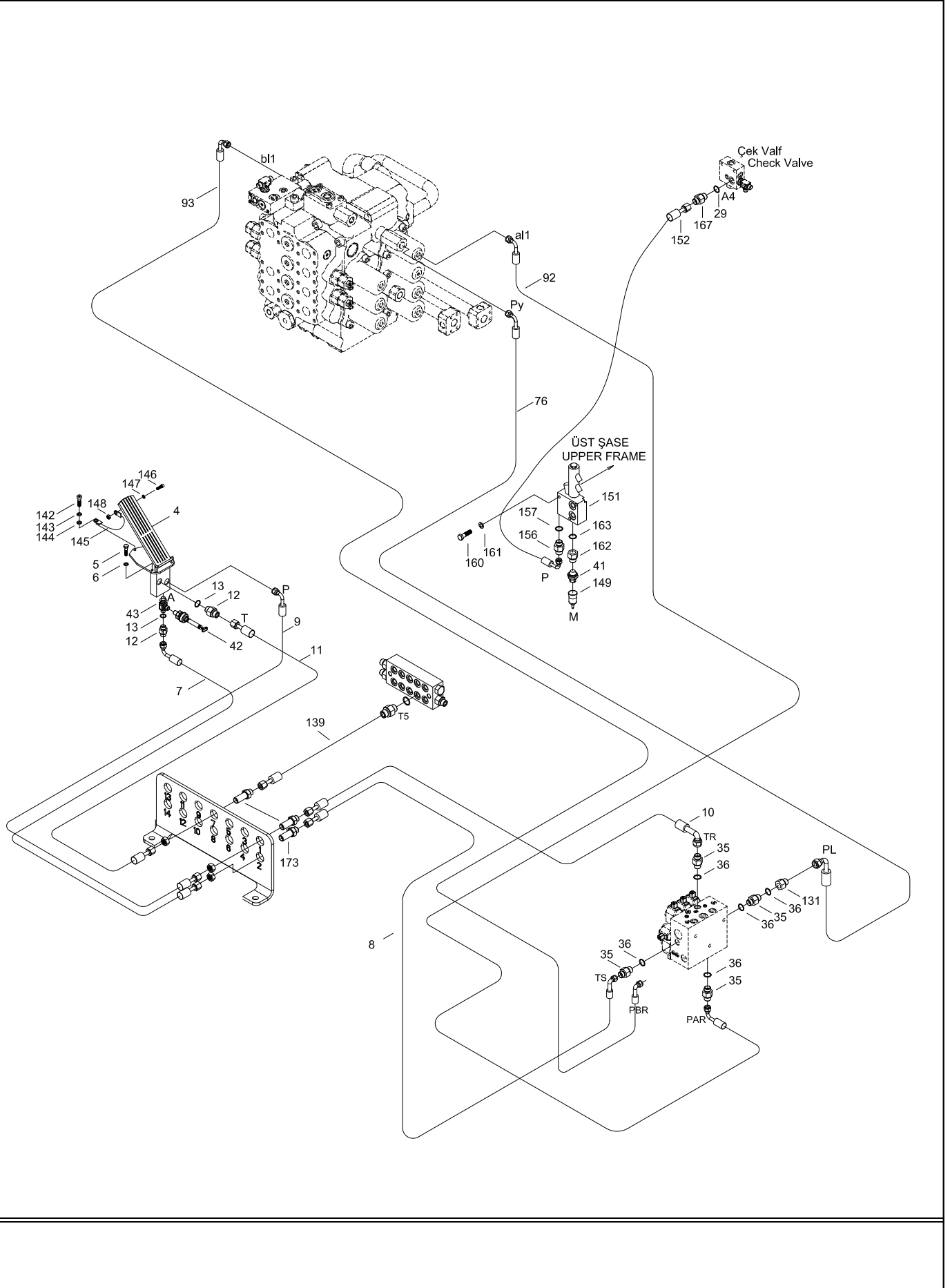


# GÜÇ HİDROLİĞİ MONTAJI (1)

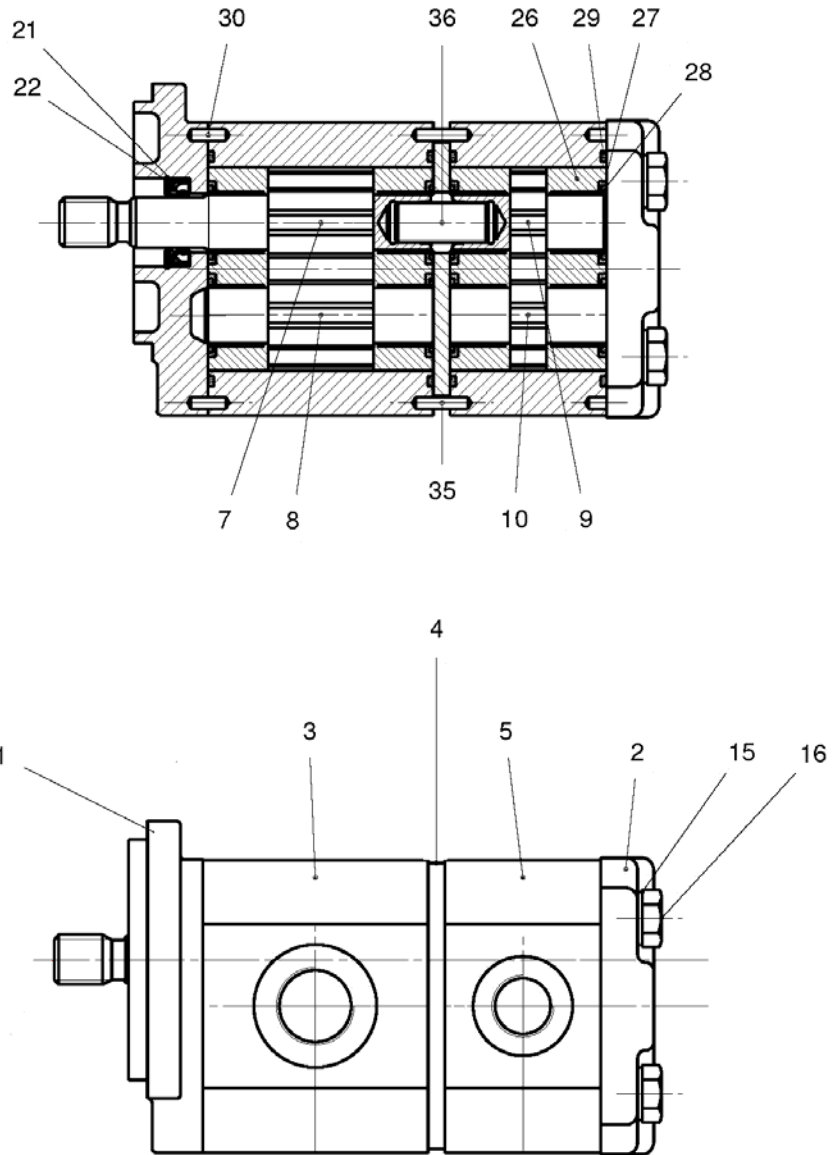
## POWER TRAIN HYDRAULIC MOUNTING (1)



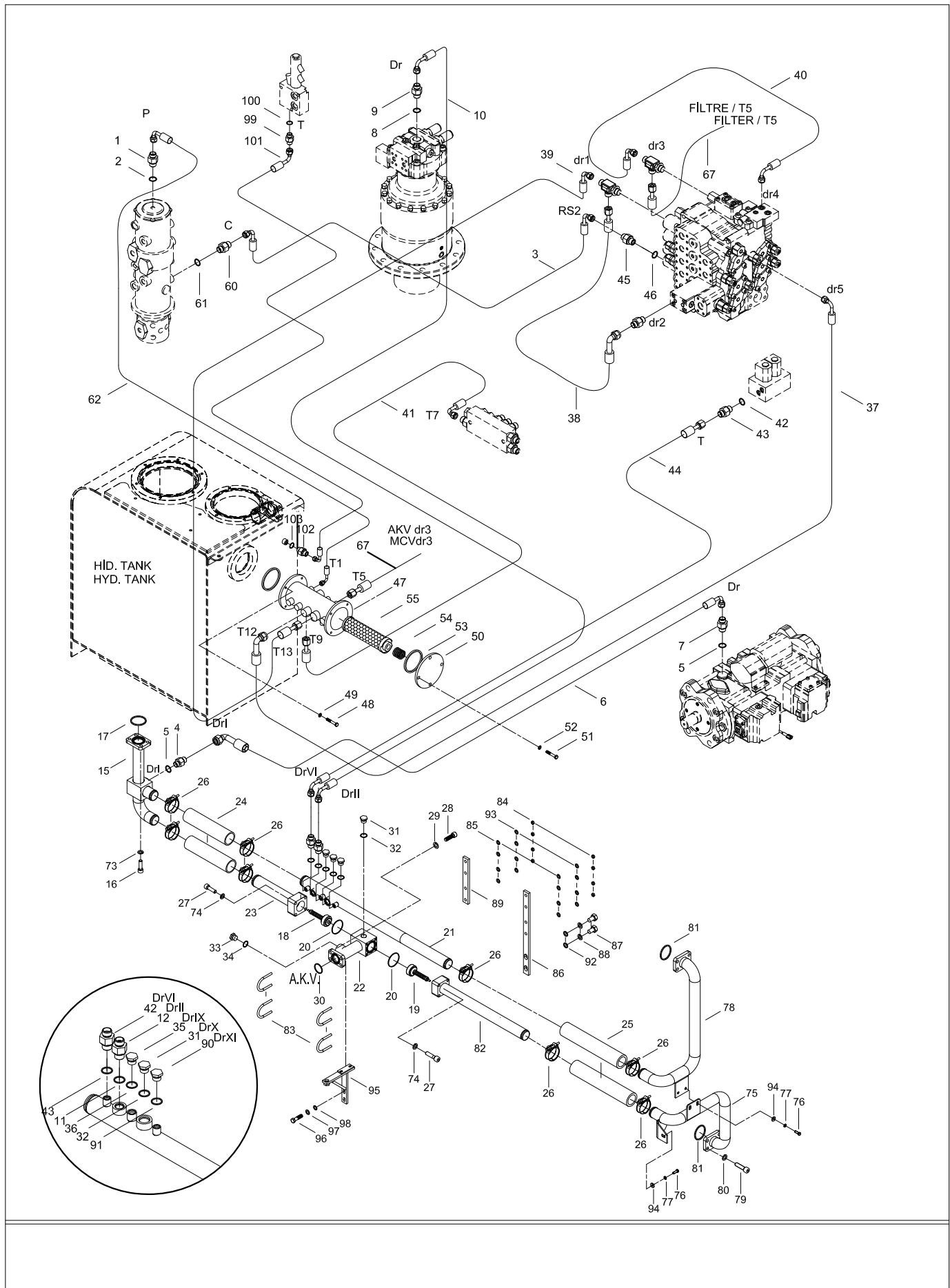
# GÜÇ HİDROLİĞİ MONTAJI (3-2) POWER TRAIN HYDRAULIC MOUNTING (3-2)



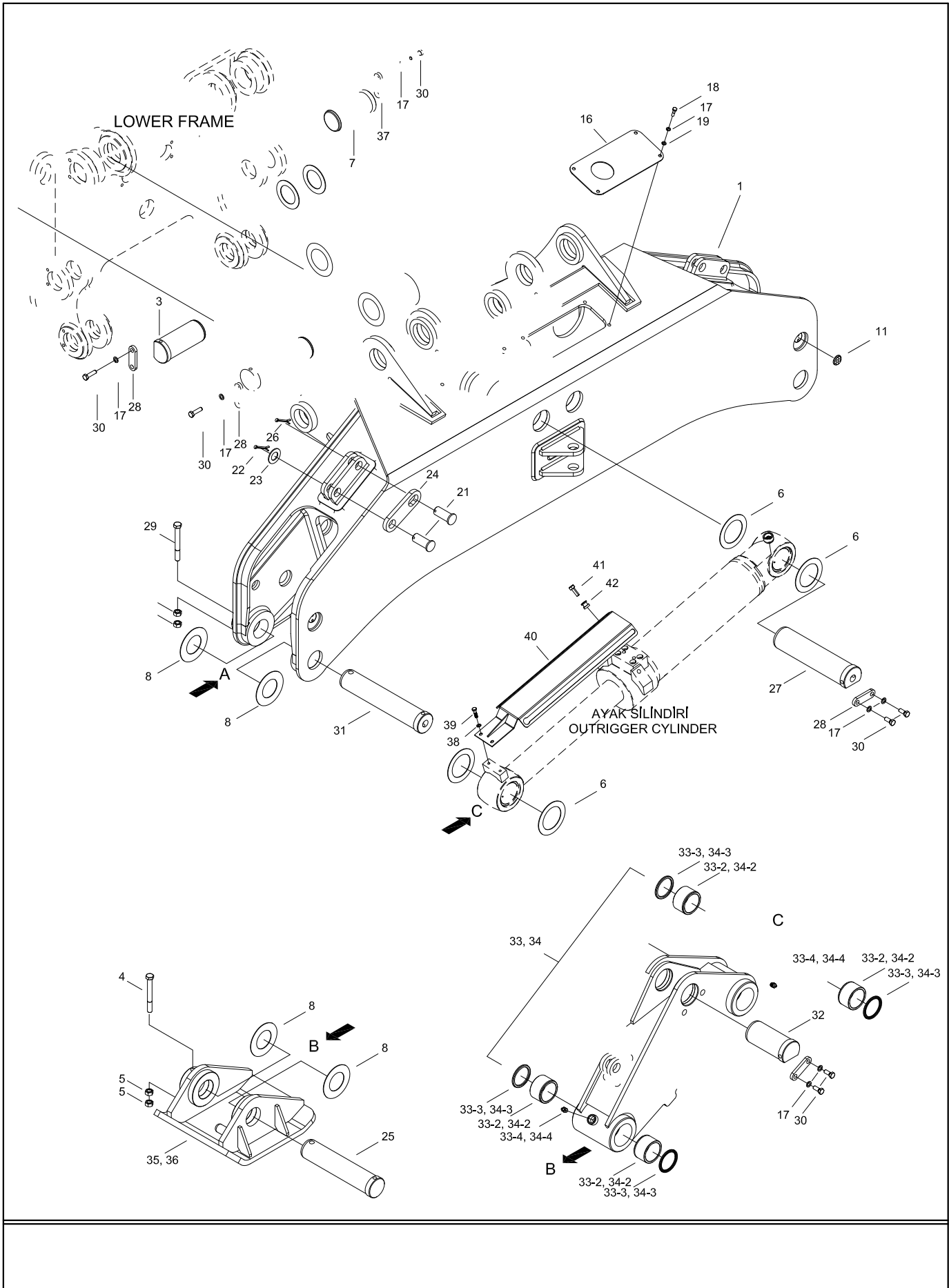
# DİREKSİYON POMPASI STEERING PUMP



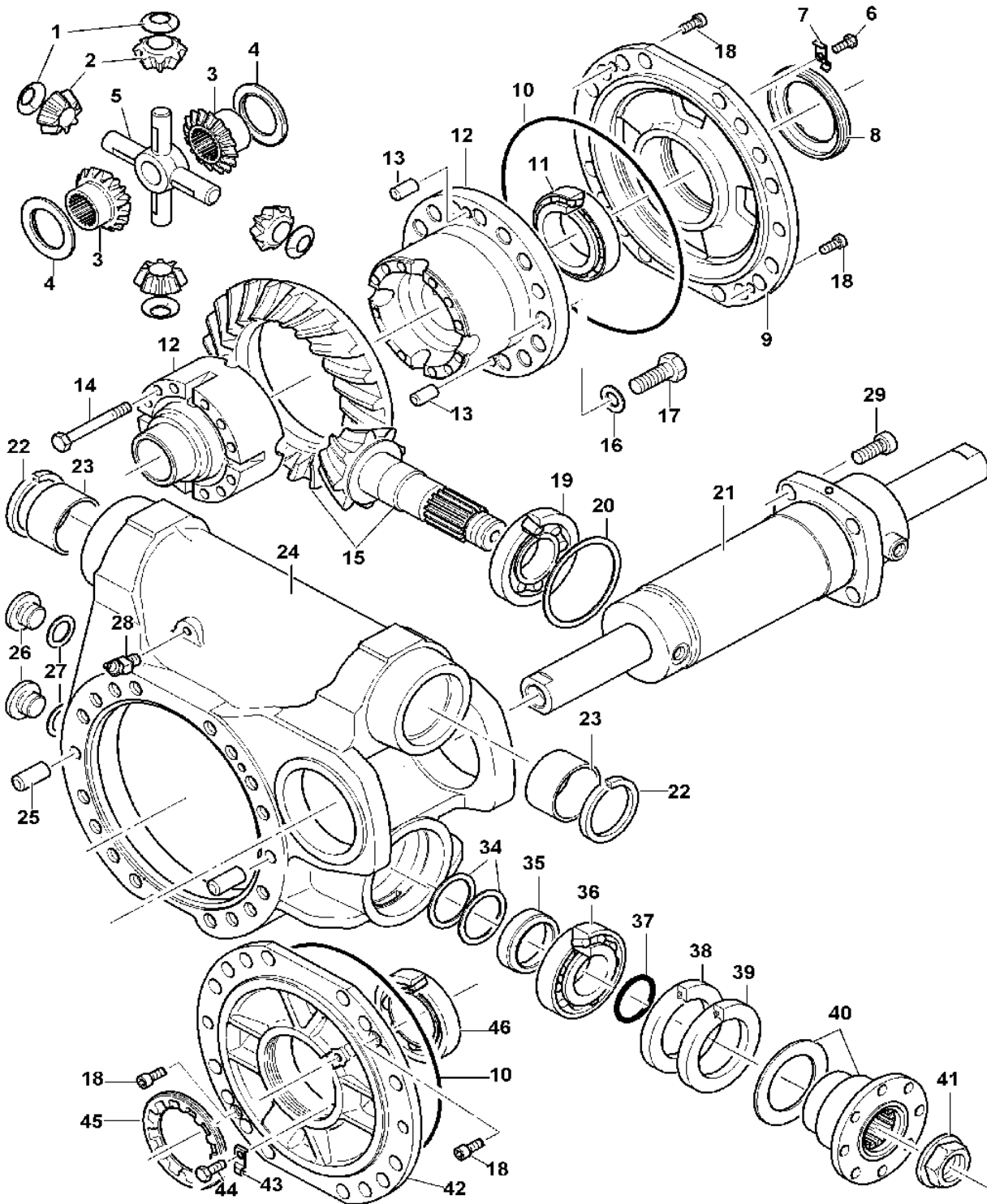
# DÖNÜŞ VE SIZINTI HATTI MONTAJI UPPER DRAIN PIPING MOUNTING



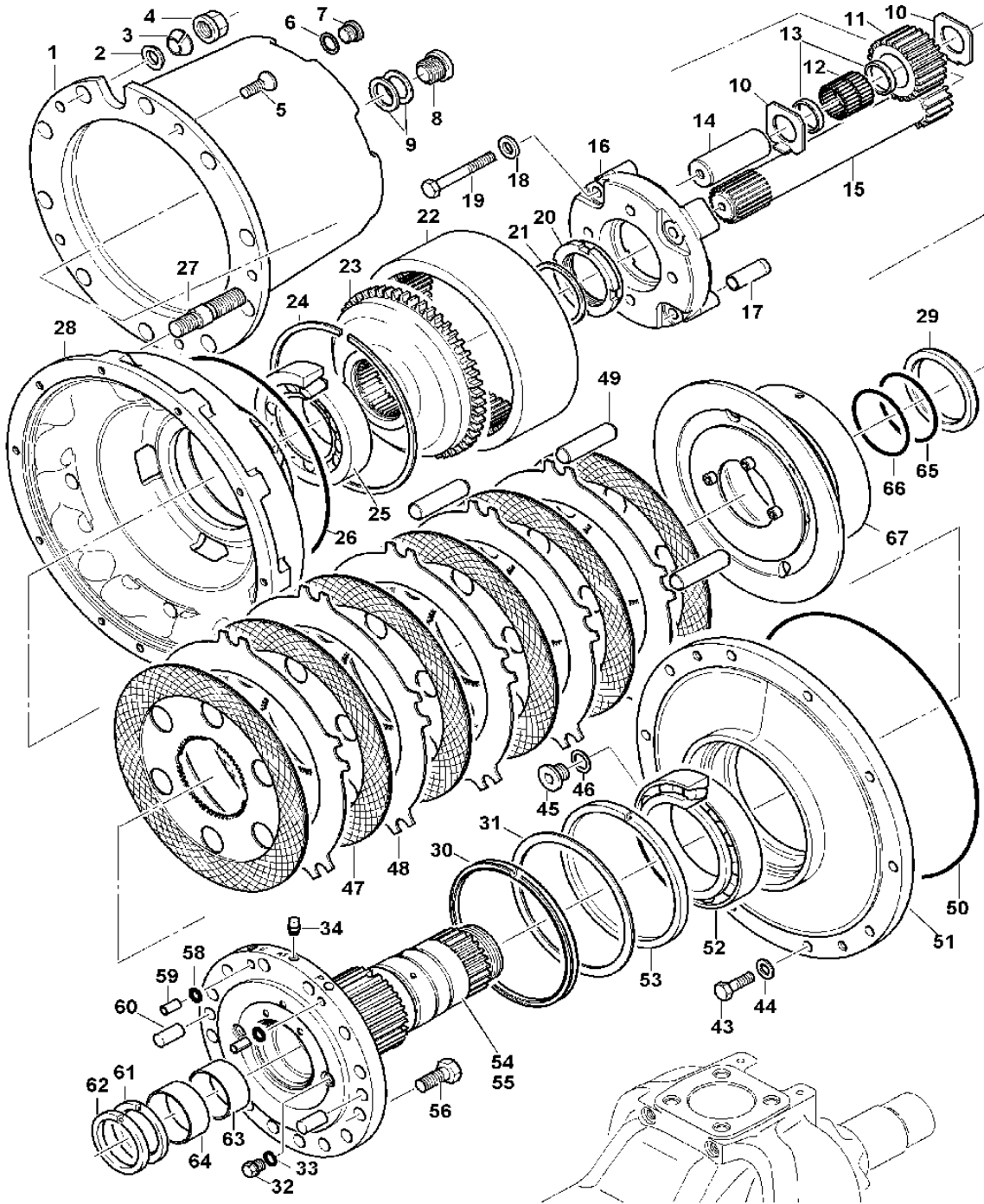
# OPSİYONEL AYAK MONTAJI OPTIONAL OUTRIGGER MOUNTING



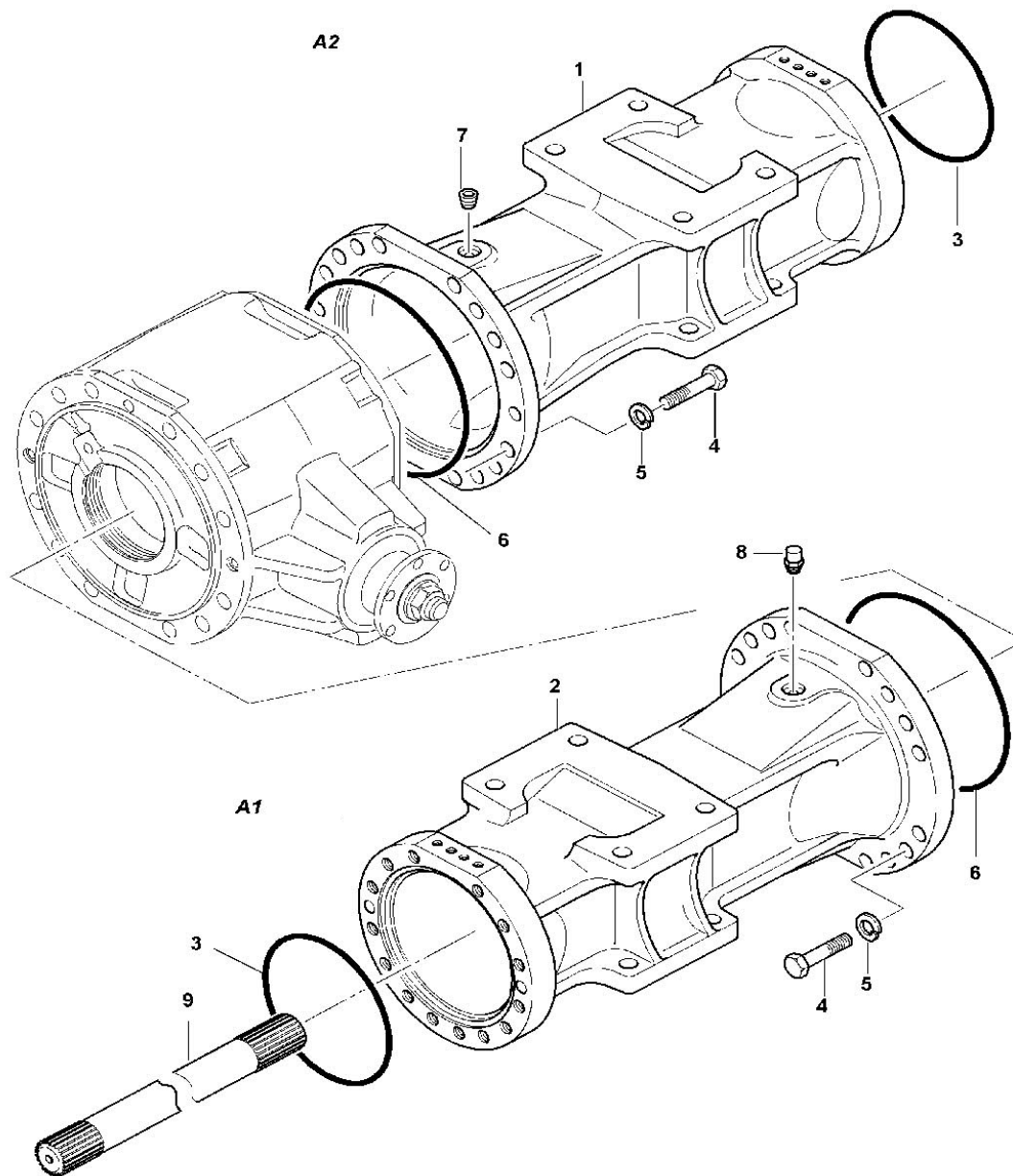
# DİFERANSİYEL - ÖN AKS DIFFERENTIAL - FRONT AXLE



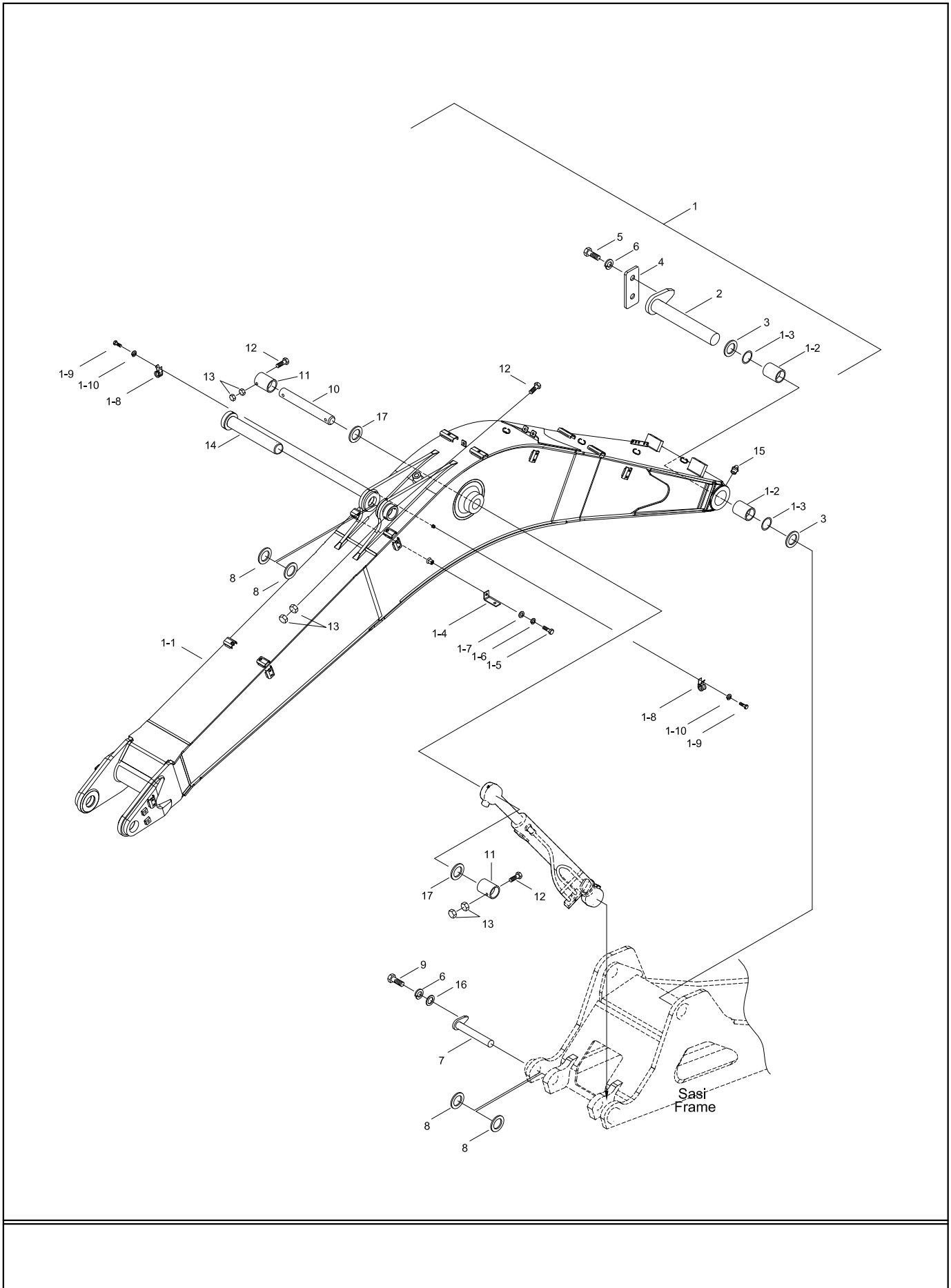
# KOVAN - ÖN AKS DRIVE ASSEMBLY - FRONT AXLE



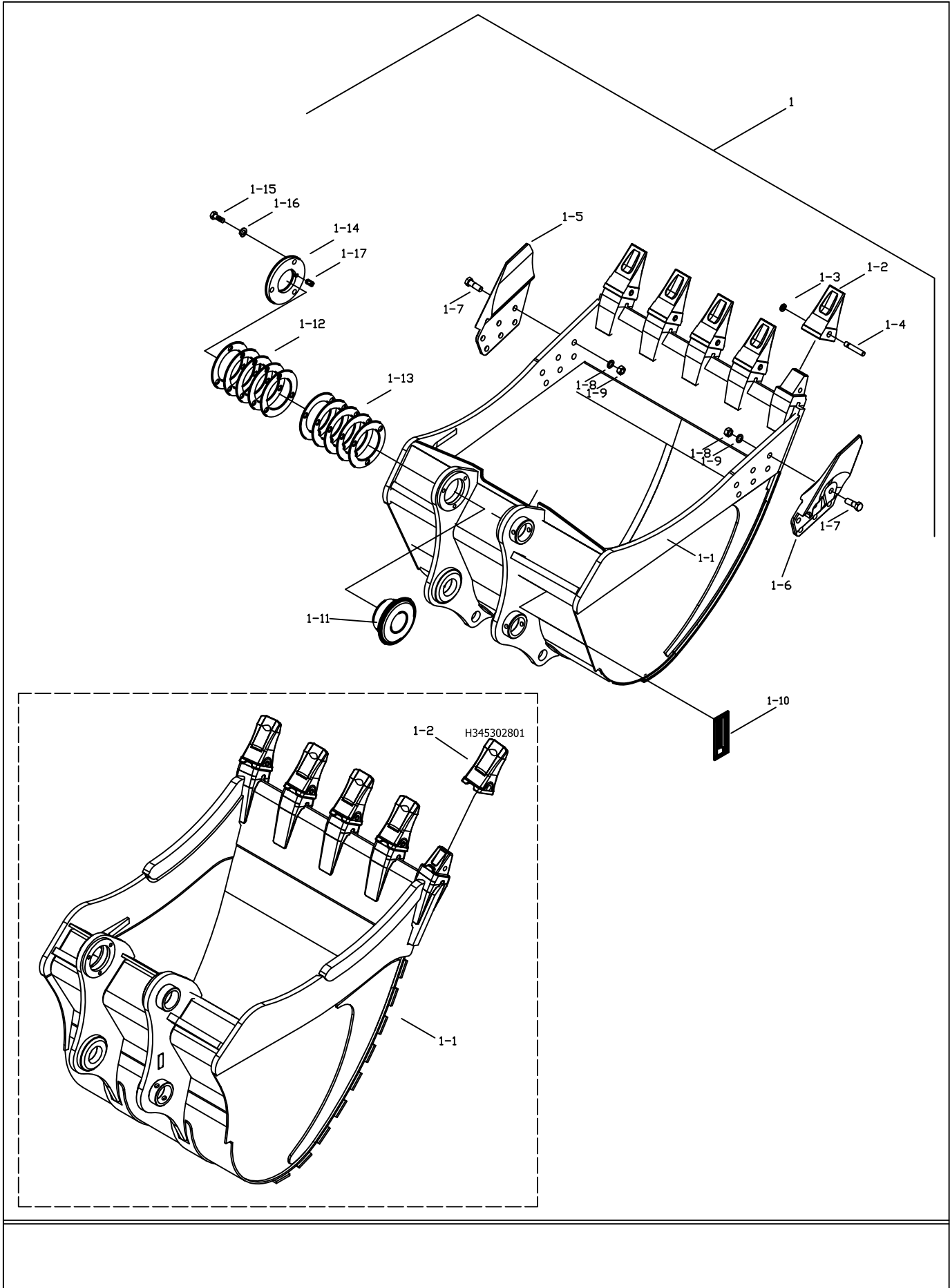
**AKS KOVANI - ARKA AKS**  
**AXLE CASING - REAR AXLE**



# ANA BOM MONTAJI BOOM MOUNTING

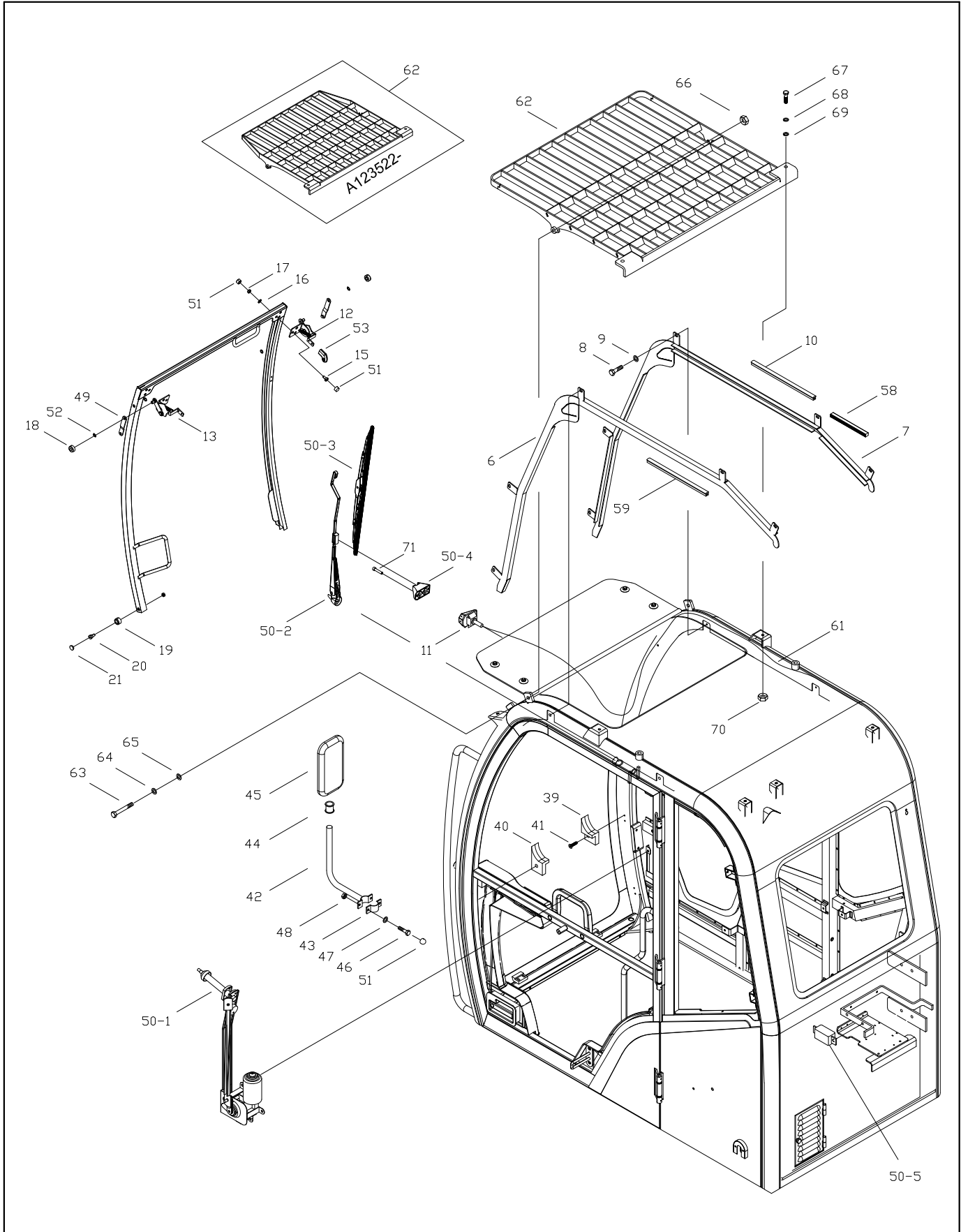


# DUAL RADIUS KEPÇE DUAL RADIUS BUCKET



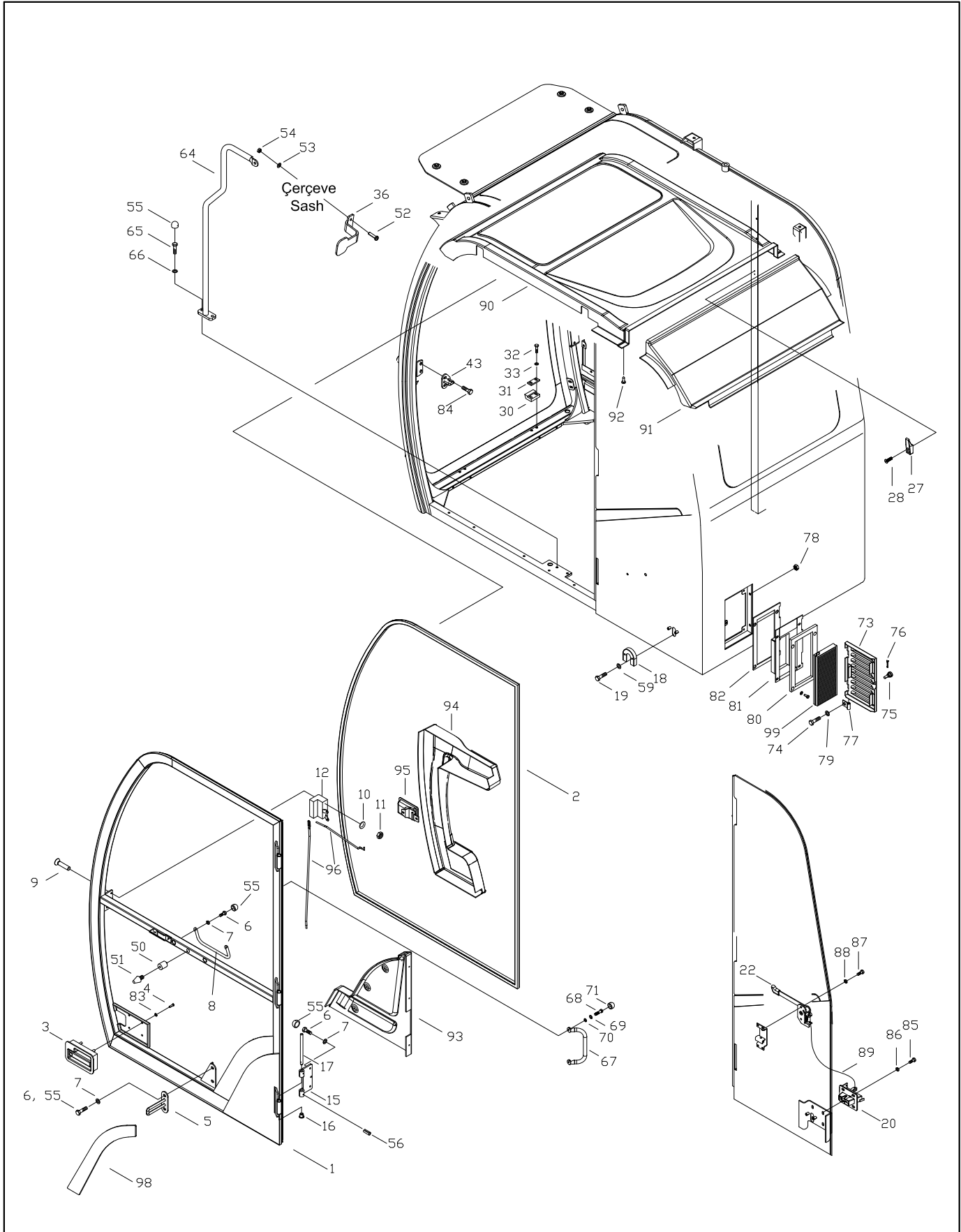


## KABİN (2) CAB (2)



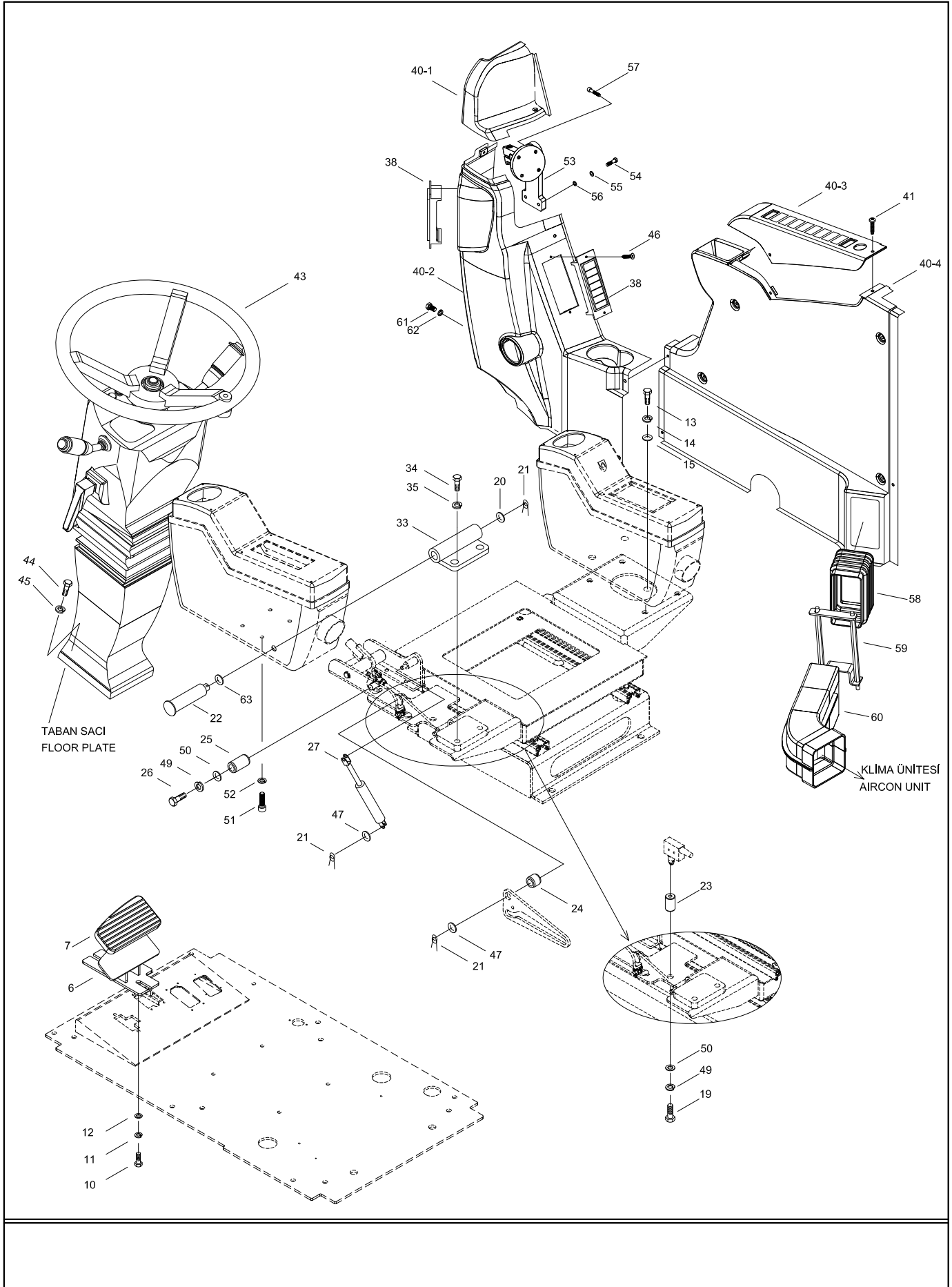
Bu görüntü 9123510- ve sonrası seri nolu makinalar için geçerlidir.  
This view is valid for 9123510- and continued serial numbered machines.

## KABİN (3) CAB (3)

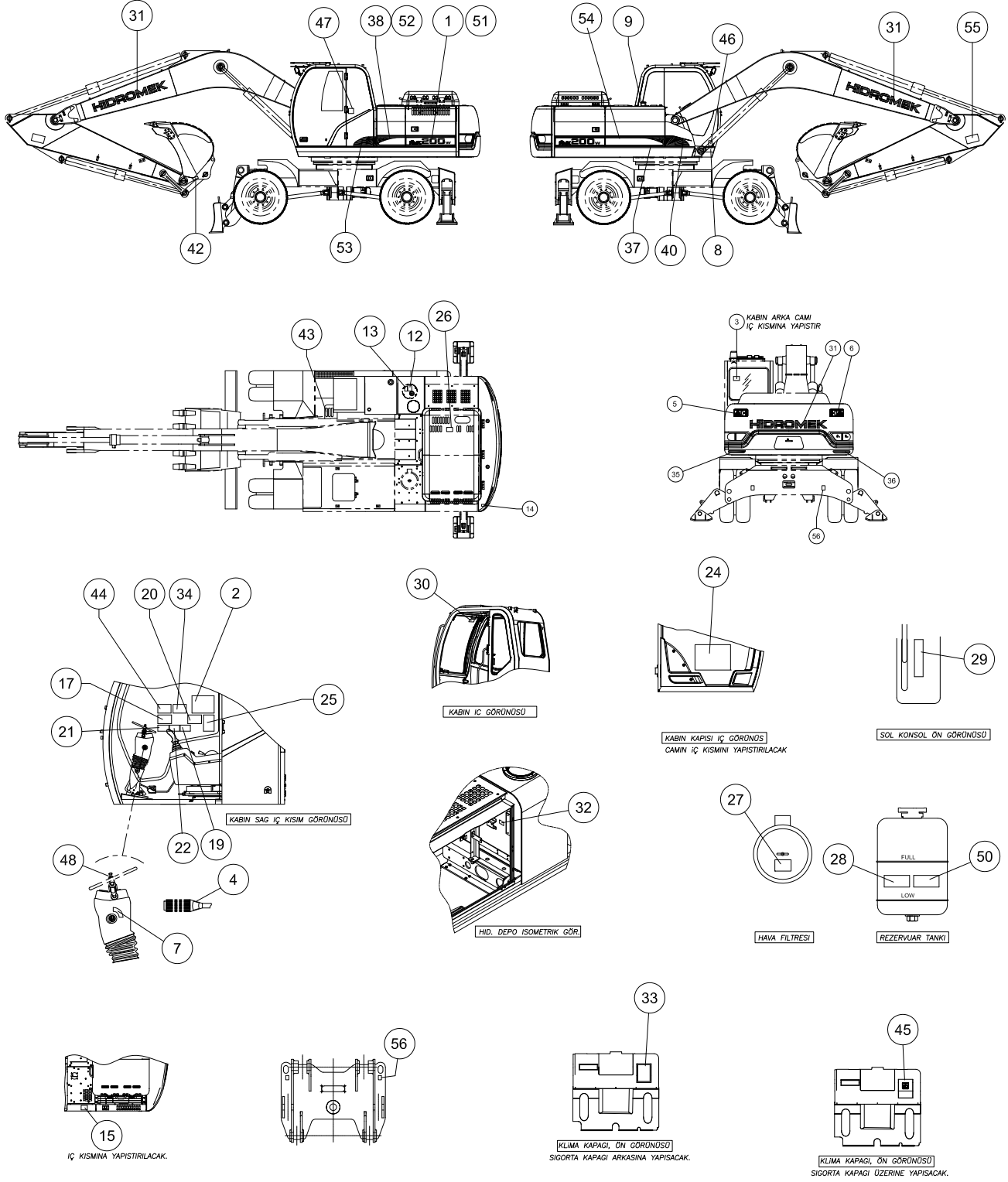


Bu görüntü 9123510- ve sonrası seri nolu makinalar için geçerlidir.  
This view is valid for 9123510- and continued serial numbered machines.

## KABİN İÇİ MONTAJI (2) CAB INTERIOR MOUNTING (2)

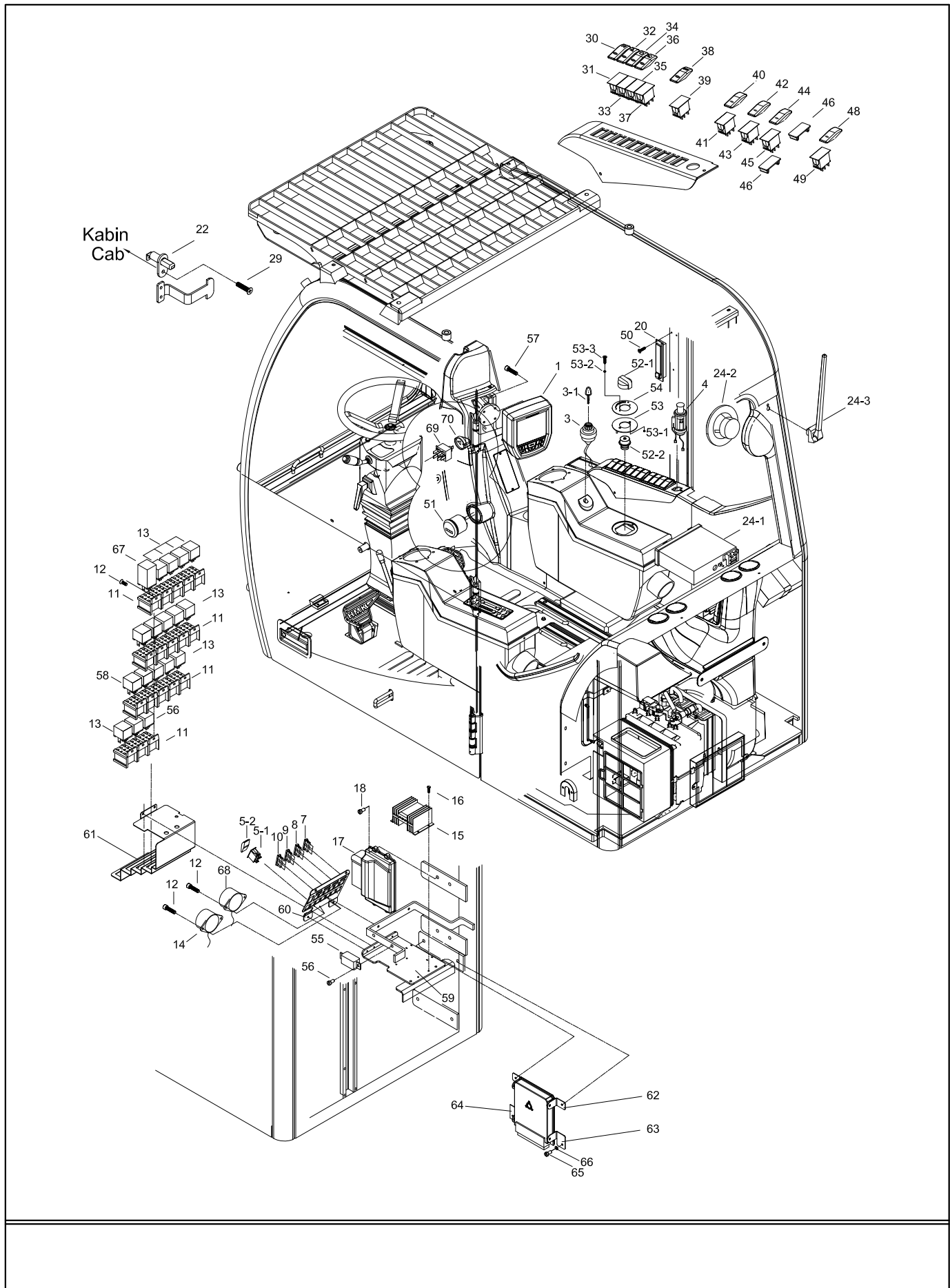


## ETİKET MONTAJI (TÜRKÇE) DECAL MOUNTING (TURKISH)

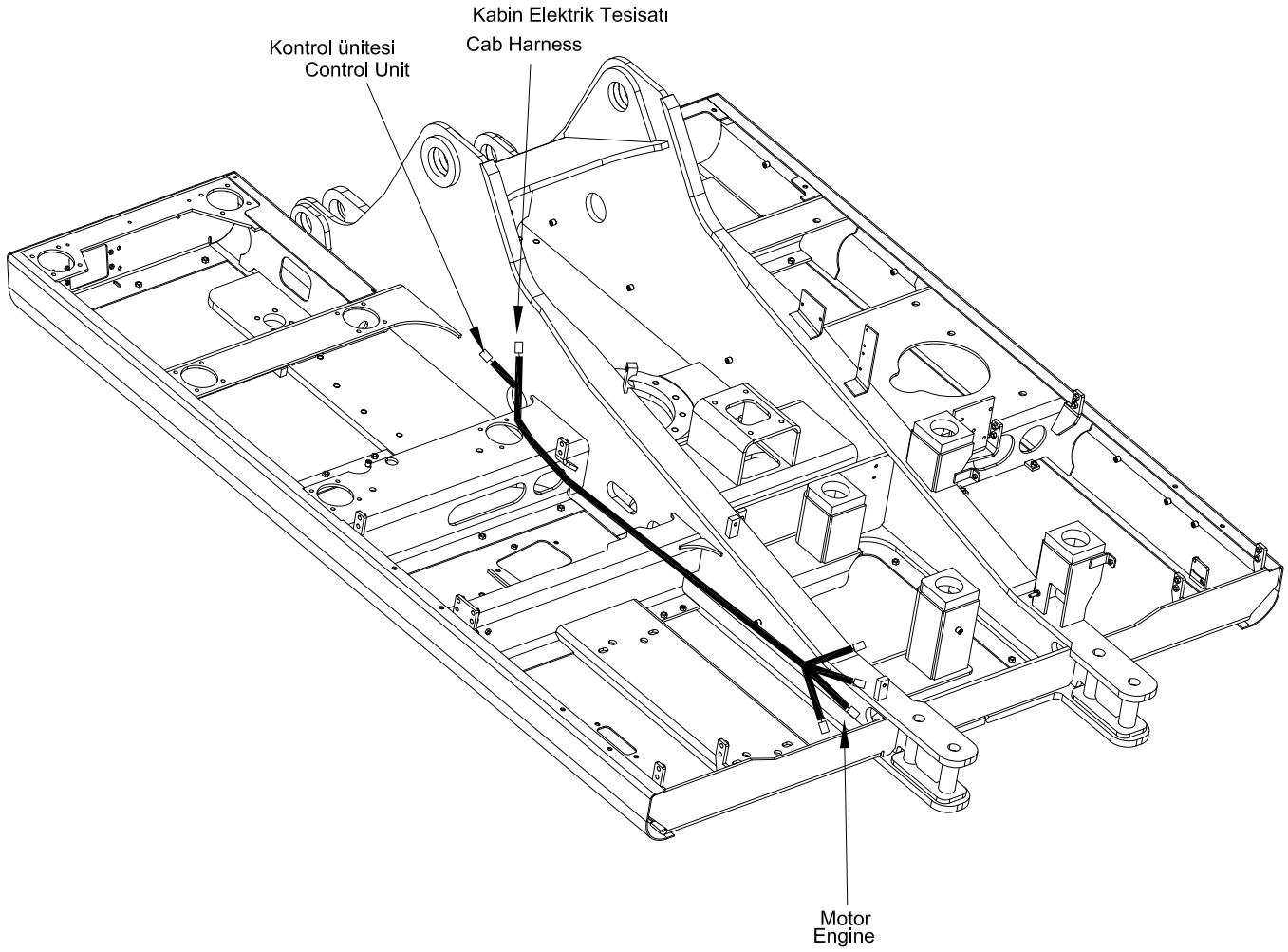


NOT: Bu görüntü 9123510- seri nolu makineden itibaren geçerlidir.  
NOTE: This view is valid from 9123510- serial number machine.

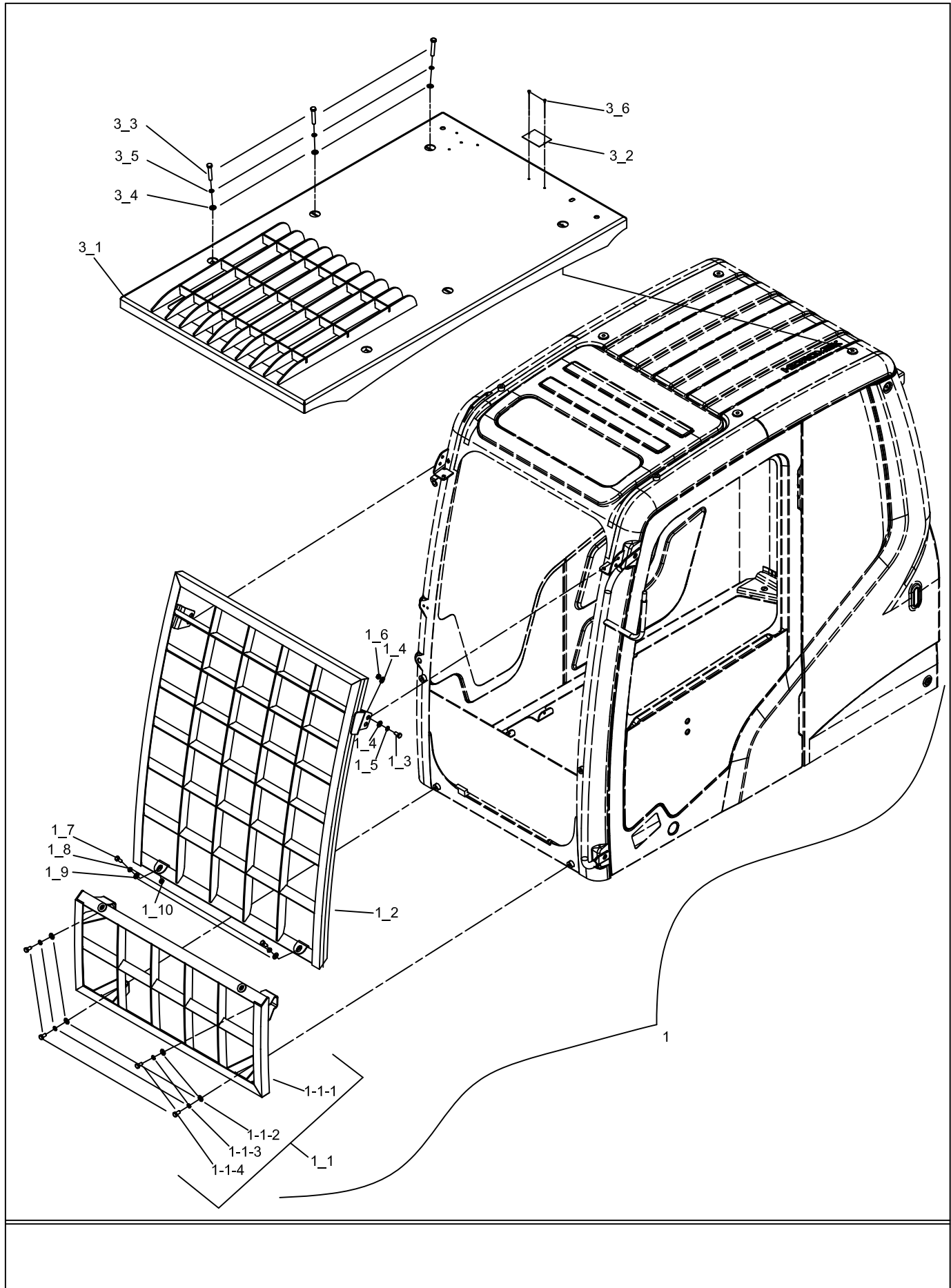
**ELEKTRİK (1)**  
**ELECTRIC (1)**



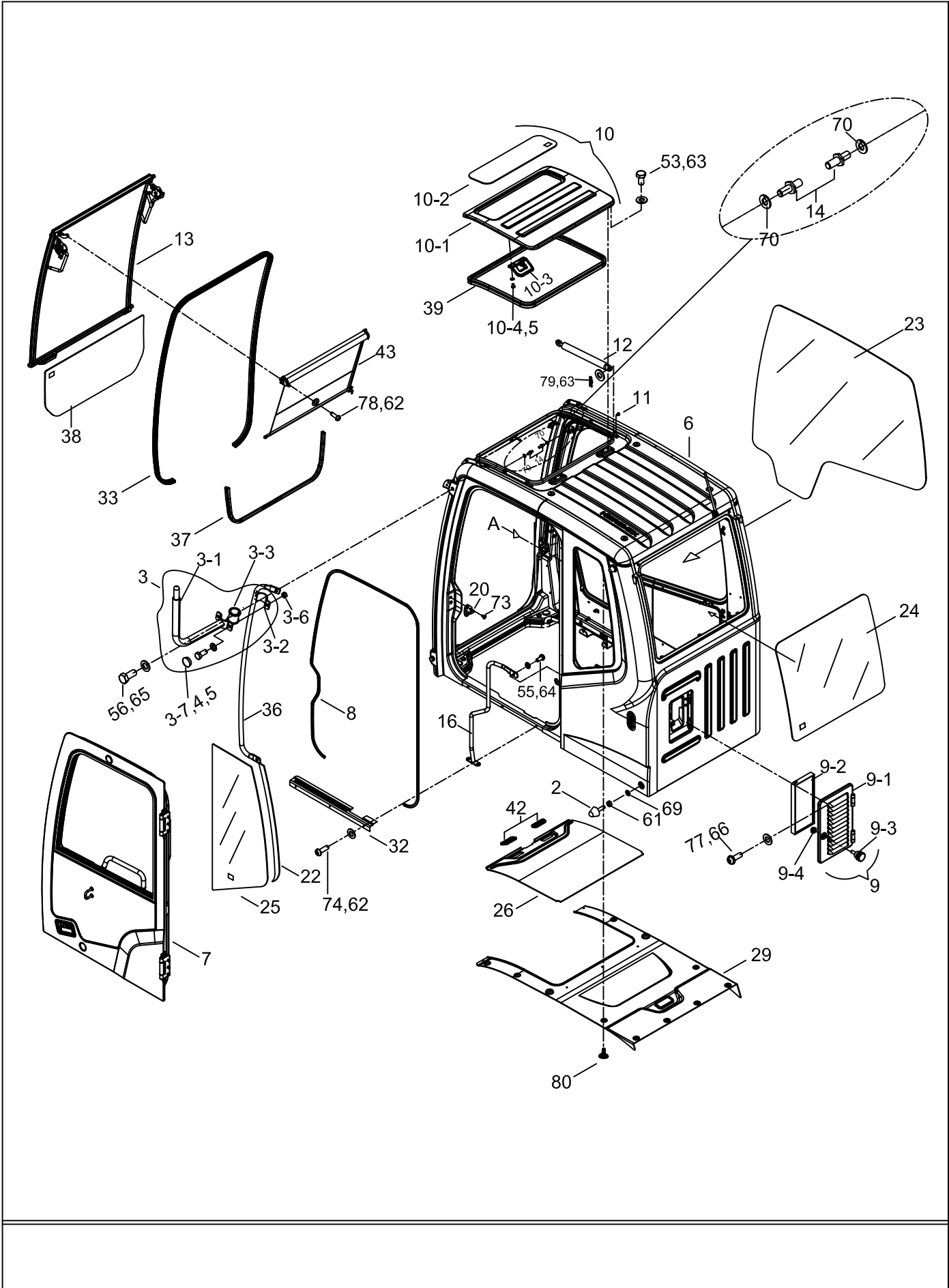
## MOTOR ELEKTRİK TESİSATI ENGINE HARNESS



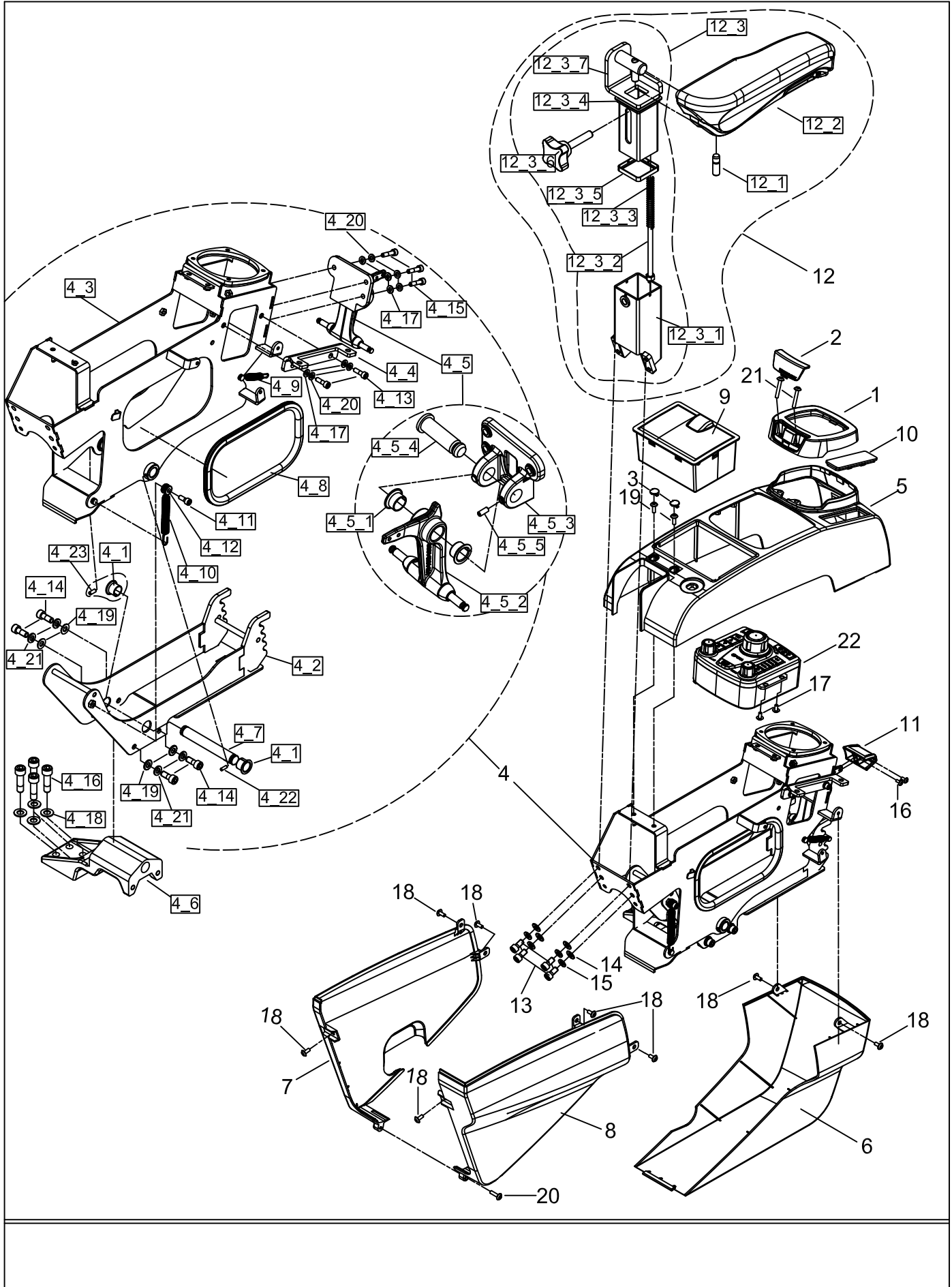
**KABİN KORUMA MONTAJI - FOGS (OP)**  
**FOGS GUARD ASS'Y (OP)**



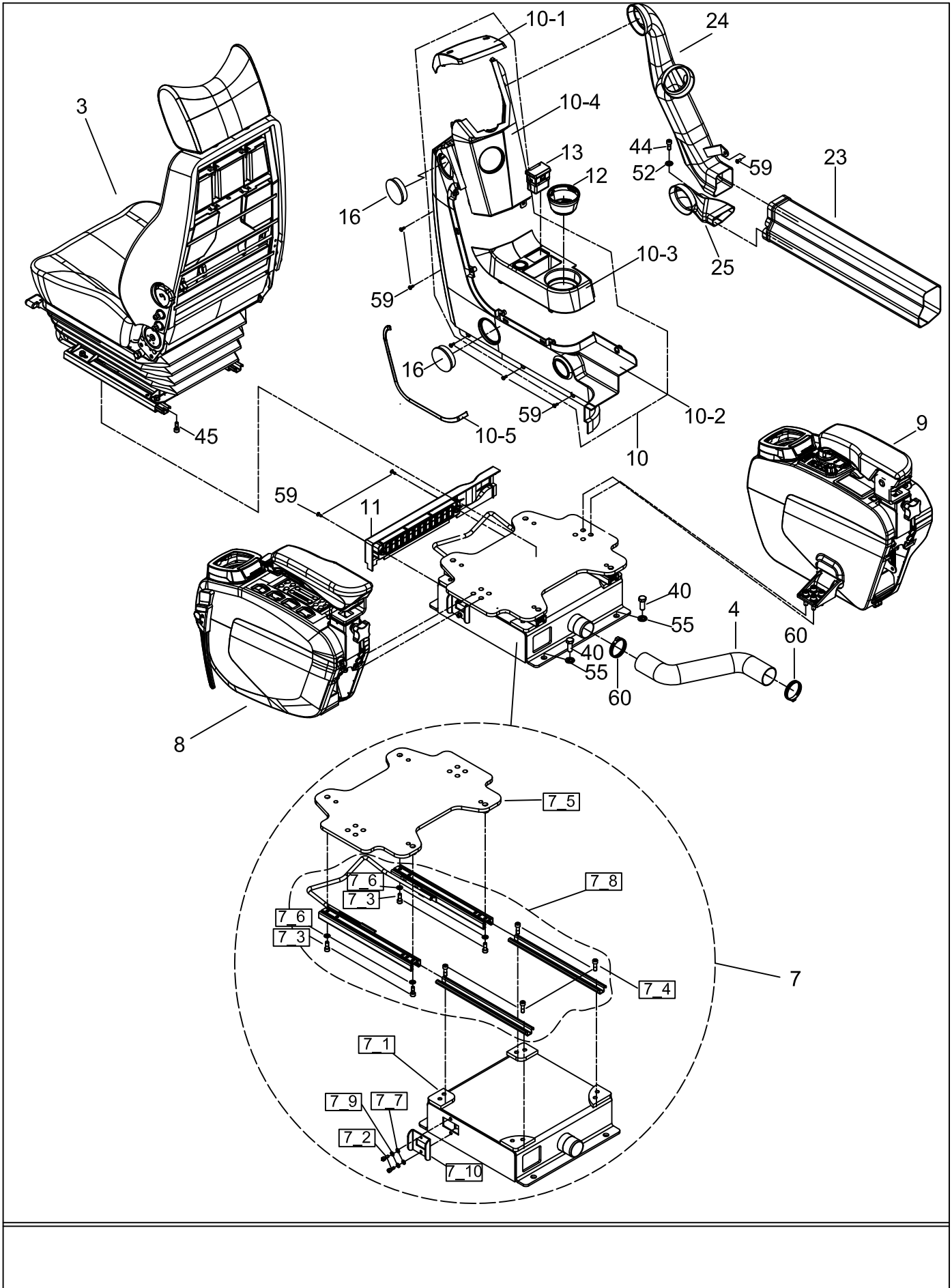
# KABIN MONTAJI-1 CAB ASS'Y-1

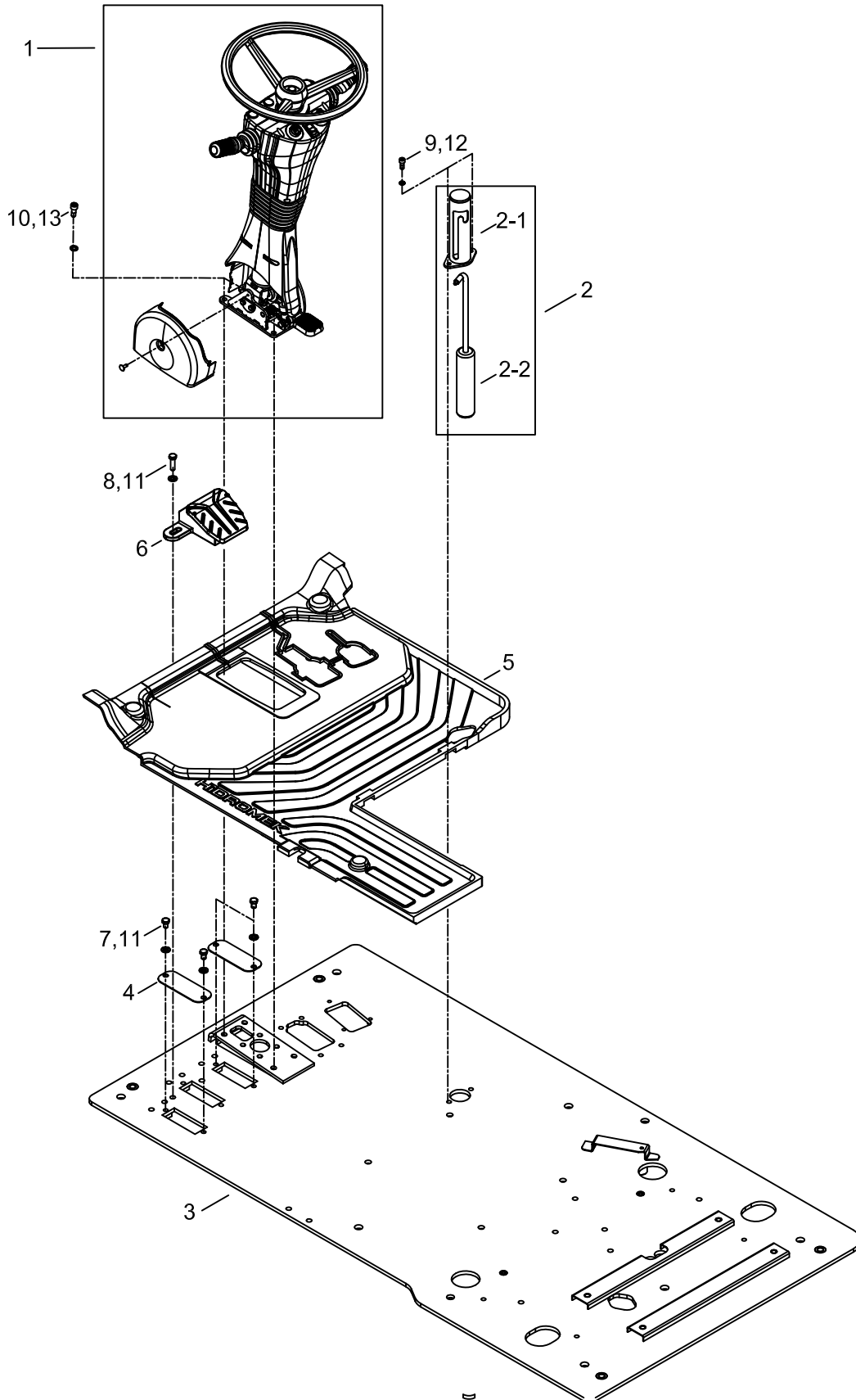


# KONSOL MONTAJI-SAĞ CONSOLE MOUNTING-(R/H)



### KABİNEÇİ MONTAJI-1 CAB INTERIOR MOUNTING-1



**PLATFORM MONTAJI (LASTIKLI)**  
**PLATFORM ASS'Y (W MACHINES)**

Parça No Part no	No	Sayfa Page	Parça No Part no	No	Sayfa Page	Parça No Part no	No	Sayfa Page
H239032017	13	234502-00	H239032042	34	234508-00	H239032077	9	234503-00
H239032017	13	234508-00	H239032043	34	234502-00	H239032078	10	234503-00
H239032018	14	234502-00	H239032043	34	234508-00	H239032079	11	234503-00
H239032018	14	234508-00	H239032044	34	234502-00	H239032080	12	234503-00
H239032019	15	234502-00	H239032044	34	234508-00	H239032081	13	234503-00
H239032019	15	234508-00	H239032045	34	234502-00	H239032081	6	234509-00
H239032020	16	234502-00	H239032045	34	234508-00	H239032082	14	234503-00
H239032020	16	234508-00	H239032046	34	234502-00	H239032082	8	234509-00
H239032021	17	234502-00	H239032046	34	234508-00	H239032083	1	234504-00
H239032021	17	234508-00	H239032047	34	234502-00	H239032083	1	234505-00
H239032021	56	234510-00	H239032047	34	234508-00	H239032084	2	234504-00
H239032022	18	234502-00	H239032048	34	234502-00	H239032084	2	234505-00
H239032022	18	234508-00	H239032048	34	234508-00	H239032085	3	234504-00
H239032023	19	234502-00	H239032049	34	234502-00	H239032085	3	234505-00
H239032023	19	234508-00	H239032049	34	234508-00	H239032086	4	234504-00
H239032024	20	234502-00	H239032050	34	234502-00	H239032086	4	234505-00
H239032024	20	234508-00	H239032050	34	234508-00	H239032087	5	234504-00
H239032025	20	234502-00	H239032051	35	234502-00	H239032087	23	234504-00
H239032025	20	234508-00	H239032051	35	234508-00	H239032087	5	234505-00
H239032026	20	234502-00	H239032052	36	234502-00	H239032087	23	234505-00
H239032026	20	234508-00	H239032052	36	234508-00	H239032088	6	234504-00
H239032027	20	234502-00	H239032053	37	234502-00	H239032088	6	234505-00
H239032027	20	234508-00	H239032053	37	234508-00	H239032089	7	234504-00
H239032028	21	234502-00	H239032054	38	234502-00	H239032089	7	234505-00
H239032028		234512-00	H239032054	38	234508-00	H239032090	8	234504-00
H239032028A		234502-00	H239032055	39	234502-00	H239032091	9	234504-00
H239032028a		234512-00	H239032055	39	234508-00	H239032091	9	234505-00
H239032029	22	234502-00	H239032056	40	234502-00	H239032092	9	234504-00
H239032030	23	234502-00	H239032056	40	234508-00	H239032092	9	234505-00
H239032031	24	234502-00	H239032057	41	234502-00	H239032093	9	234504-00
H239032032	25	234502-00	H239032057	41	234508-00	H239032093	9	234505-00
H239032033	26	234502-00	H239032058	42	234502-00	H239032094	9	234504-00
H239032033	26	234508-00	H239032058	42	234508-00	H239032094	9	234505-00
H239032034	27	234502-00	H239032062	46	234502-00	H239032095	9	234504-00
H239032034	27	234508-00	H239032062	46	234508-00	H239032095	9	234505-00
H239032035	28	234502-00	H239032063	•	234502-00	H239032096	9	234504-00
H239032035	17	234504-00	H239032063	•	234508-00	H239032096	9	234505-00
H239032035	17	234505-00	H239032064	•	234502-00	H239032097	9	234504-00
H239032036	29	234502-00	H239032065	•	234502-00	H239032097	9	234505-00
H239032037	34	234502-00	H239032066	1	234503-00	H239032098	11	234504-00
H239032037	34	234508-00	H239032067	2	234503-00	H239032098	11	234505-00
H239032038	34	234502-00	H239032068	3	234503-00	H239032099	12	234504-00
H239032038	34	234508-00	H239032069	4	234503-00	H239032099	12	234505-00
H239032039	34	234502-00	H239032070	5	234503-00	H239032100	13	234504-00
H239032039	34	234508-00	H239032071	6	234503-00	H239032100	13	234505-00
H239032040	34	234502-00	H239032072	7	234503-00	H239032101	14	234504-00
H239032040	34	234508-00	H239032073	7	234503-00	H239032101	14	234505-00
H239032041	34	234502-00	H239032074	7	234503-00	H239032102	15	234504-00
H239032041	34	234508-00	H239032075	7	234503-00	H239032102	15	234505-00
H239032042	34	234502-00	H239032076	8	234503-00	H239032103	16	234504-00

Parça No Part no	No	Sayfa Page	Parça No Part no	No	Sayfa Page	Parça No Part no	No	Sayfa Page
H346120202	28	236103-00	H347001200	9	237001-00	H347005102	31	237002-00
H346120203		236103-00	H347001200	9	237001-01	H347005102	31	237002-01
H346120302	31	236103-00	H347001501	12	237001-00	H347005304	37	237001-00
H346120500	72	236004-00	H347001501	12	237001-01	H347005304	37	237002-00
H346120501	93	236004-01	H347001600	13	237001-00	H347005305	37	237001-01
H346120600	13	236004-00	H347001600	13	237001-01	H347005305	37	237002-01
H346120601	94	236004-01	H347001700	14	237001-00	H347006000	43	237001-00
H346120804	26	236103-00	H347001700	14	237001-01	H347006000	43	237001-01
H346120904	27	236103-00	H347001800	15	237001-00	H347006000	43	237002-00
H346121100	45	236104-00	H347001800	15	237001-01	H347006000	43	237002-01
H346122301	6_9	236103-00	H347002000	17	237001-00	H347006300	52	237001-01
H346123300	6_10	236103-00	H347002000	17	237001-01	H347006300	52	237002-01
H346123500	40_3	236104-00	H347002200	19	237001-00	H347006400	54	237001-01
H346123600	40_4	236104-00	H347002200	19	237001-01	H347006400	54	237002-01
H346123700	40_1	236104-00	H347002300	20	237001-00	H347006500	53	237001-01
H346123800	40_2	236104-00	H347002300	20	237001-01	H347006500	53	237002-01
H346123900	58	236104-00	H347002400	21	237001-00	H347007000	51	237001-01
H346124300	52	236103-00	H347002400	21	237001-01	H347007000	51	237002-01
H346124400	60	236104-00	H347002400	21	237002-00	H347011103	8	237002-00
H346124500	53	236104-00	H347002400	21	237002-01	H347011200	9	237002-00
H346125300	59	236104-00	H347002500	22	237001-00	H347011200	9	237002-01
H346127600	64	238001-00	H347002500	22	237001-01	H347011501	12	237002-00
H346127700	62	238001-00	H347002900	26	237001-00	H347011501	12	237002-01
H346127800	63	238001-00	H347002900	26	237001-01	H347011600	13	237002-00
H346200201	1	236001-01	H347003001	27	237001-00	H347011600	13	237002-01
H346200201	1	236001-00	H347003001	27	237001-01	H347011700	14	237002-00
H347000500	3	237001-00	H347003100	28	237001-00	H347011700	14	237002-01
H347000500	3	237002-00	H347003100	28	237001-01	H347011800	15	237002-00
H347000501	3	237001-01	H347003200	29	237001-00	H347011800	15	237002-01
H347000501	3	237002-01	H347003200	29	237001-01	H347012000	17	237002-00
H347000600	12	230104-00	H347003300	30	237001-00	H347012000	17	237002-01
H347000600	1_2	230301-00	H347003300	30	237001-01	H347012200	19	237002-00
H347000600	1_2	230302-00	H347003500	32	237001-00	H347012200	19	237002-01
H347000600	1_10	235302-00	H347003500	32	237001-01	H347012300	20	237002-00
H347000600	1_10	235303-00	H347003900	35	237001-00	H347012300	20	237002-01
H347000600	1-12	235304-00	H347004000	36	237001-00	H347012500	22	237002-00
H347000600	42	237001-00	H347004300	56	237001-01	H347012500	22	237002-01
H347000600	42	237001-01	H347004300	56	237002-01	H347012900	26	237002-00
H347000600	42	237002-00	H347004703	38	237001-00	H347012900	26	237002-01
H347000600	42	237002-01	H347004703	38	237002-00	H347013001	27	237002-00
H347000801	5	237001-00	H347004704	38	237001-01	H347013001	27	237002-01
H347000801	5	237001-01	H347004704	38	237002-01	H347013100	28	237002-00
H347000801	5	237002-00	H347004803	39	237001-00	H347013100	28	237002-01
H347000801	5	237002-01	H347004803	39	237002-00	H347013200	29	237002-00
H347000901	6	237001-00	H347004903	40	237001-00	H347013200	29	237002-01
H347000901	6	237001-01	H347004903	40	237002-00	H347013300	30	237002-00
H347000901	6	237002-00	H347004904	40	237001-01	H347013300	30	237002-01
H347001103	8	237001-00	H347004904	40	237002-01	H347013500	32	237002-00
H347001104	8	237001-01	H347005102	31	237001-00	H347013500	32	237002-01
H347001104	8	237002-01	H347005102	31	237001-01	H347016100		230108-00

CLICK HERE TO **DOWNLOAD** THE COMPLETE MANUAL

- Thank you very much for reading the preview of the manual.
- You can download the complete manual from: [www.heydownloads.com](http://www.heydownloads.com) by clicking the link below



- Please note: If there is no response to CLICKING the link, please download this PDF first and then click on it.

CLICK HERE TO **DOWNLOAD** THE COMPLETE MANUAL