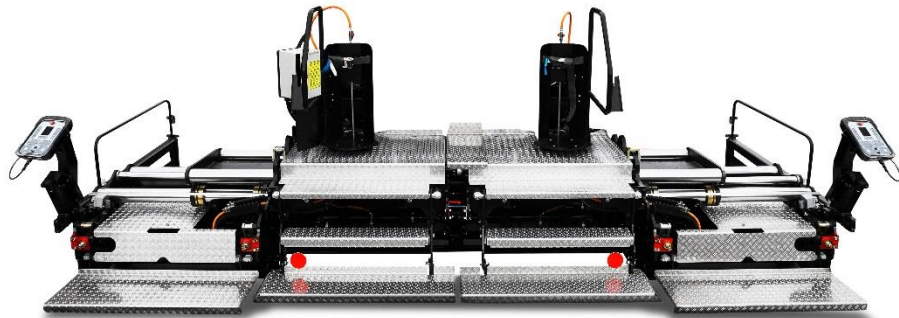


Parts Catalogue

V6000TVE Screed

Print Date : 7th Oct 2020



© 2020 Dynapac GmbH

*Your Partner
on the Road Ahead*

[dynapac.com](https://www.dynapac.com)

CLICK HERE TO **DOWNLOAD** THE COMPLETE MANUAL

- Thank you very much for reading the preview of the manual.
- You can download the complete manual from: www.heydownloads.com by clicking the link below



- Please note: If there is no response to **CLICKING** the link, please download this PDF first and then click on it.

CLICK HERE TO **DOWNLOAD** THE COMPLETE MANUAL

Adjusting screw

D614134600 Adjusting screw See page 78

Electric

4812017900 Electric See page 195

Electric

4812017908 Electric See page 196

Cable

4812033703 Cable harness W21 AT750 See page 198

Electric r.h. 750

4812033695 Electric r.h. 750 See page 199

Electric

4812033699 Electric See page 200

Cable

4812033703 Cable harness W21 AT750 See page 198

Extension mount, AT350, electric, l.h.

4812232159 Extension mount, AT350, electric, l.h. See page 103

El. heating

4812232157 El. heating See page 106

Tamper drive ext. part 350mm, l.h.

4812029716 Tamper drive ext. part 350mm, l.h. See page 109

Vibration ext. part 350mm, l.h.

4812029876 Vibration ext. part 350mm, l.h. See page 112

Tamper guide plate ext. part 350mm, l.h.

4812029847 Tamper guide plate ext. part 350mm, l.h. See page 114

Footboard

4812075063 Footboard See page 115

Footboard

4812075064 Footboard See page 116

Protecting hood

4812233007 Protecting hood See page 117

Adjusting screw

D614134600 Adjusting screw See page 78

Coupling

4720004332 Coupling See page 119

Coupling

4812035437 Coupling See page 120

Electric l.h. 350

4812033694 Electric l.h. 350 See page 121

Electric

4812033698 Electric See page 122

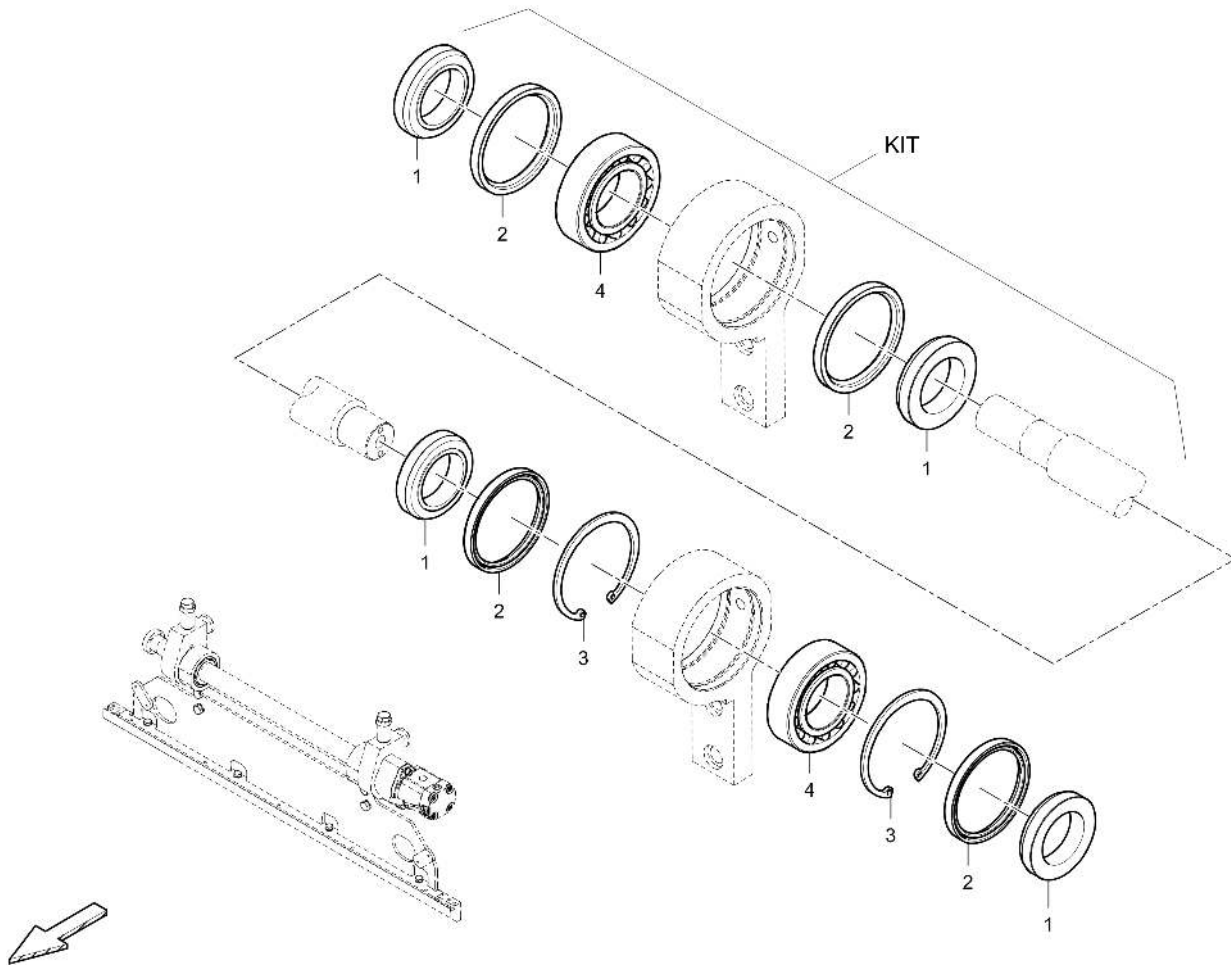
Cable

4812033702 Cable harness W22 AT 350 See page 123

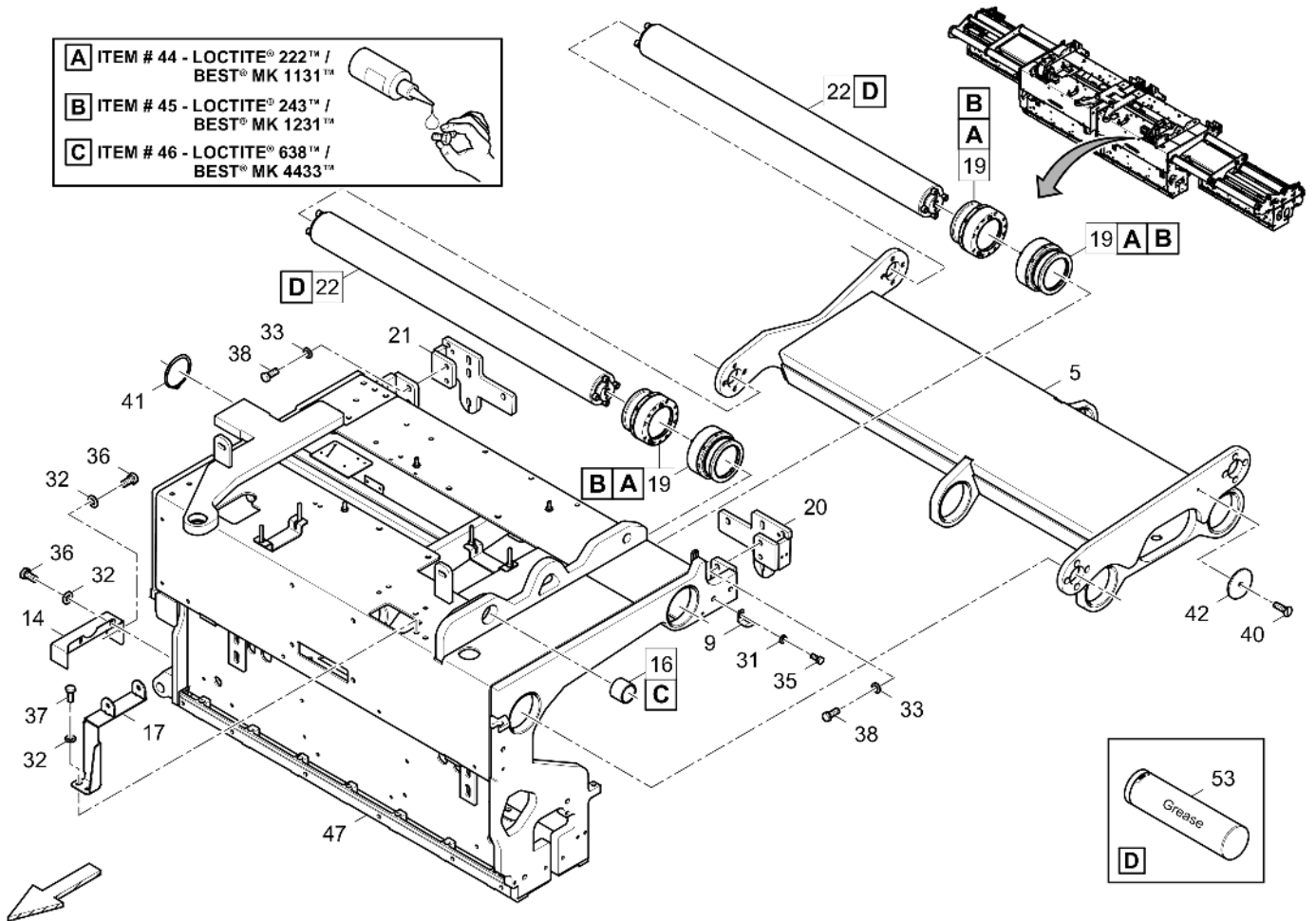
4812036694 Mounting parts	476
Connecting cable, PLC	
4812071240 Cable W17	477
Electric system, conv.	
Electric system, E-conv.	
4812023956 Electric system, E-conv.	478
Electric	
4812215875 Electric	479
Junction box	
4812215879 Junction box	482
Harness	
4812215881 Harness W1	486
4812015273 Harness W2	487
4812016819 Harness W3	488
4812015946 Harness W4	489
Control box	
4812202381 Control box	491
4812071020 Control box 33 KVA	504
Electric side plate	
4812016776 Electric side plate	514
Terminal box, l.h.	
4812016089 Terminal box, l.h.	517
Terminal box, r.h.	
4812016090 Terminal box, r.h.	518
Harness	
4812016094 Harness W15	519
4812016096 Harness W15.1	520
4812016097 Harness W15.2	521
4812016101 Harness W15.3	522
4812015917 Harness W15.4	523
4812016107 Harness W16	524
4812016108 Harness W16.1	525
4812016109 Harness W16.2	526
4812016111 Harness W16.3	527
4812015925 Harness W16.4	528
Electric side plate	
4812072489 Electric side plate	529
Electric side shield	
4812072450 El. Side shield	530
Dummy plug	
4812217456 Dummy plug	531
Harness W15	
4812072455 Harness W15	532
Harness W15.1	
4812071304 Harness W15.1	533
Harness W15.2	
4812071307 Harness W15.2	534

Electric sonic sensor	
4812217321 Electric sonic sensor	730
Cable harness W1	
4812217230 Cable harness W1	731
4812231392 End plate, cpl., without heating	
4812231392 End plate, cpl., without heating	732
End plate	
4812231391 End plate	733
End plate, l.h.	
4812231388 End plate, l.h.	734
Safety lock	
4720003740 Safety lock	See page 582
Kit, for the front pin	
4812201086 Kit, for the front pin	739
End plate, r.h.	
4812231389 End plate, r.h.	740
Safety lock	
4720003740 Safety lock	See page 582
Kit, for the front pin	
4812201086 Kit, for the front pin	See page 739
4812234693 End plate, l.h. & r.h.	
4812234693 End plate, l.h. & r.h.	746
End plate, l.h. & r.h.	
4812234692 End plate, l.h. & r.h.	749
End plate, l.h.	
4812234690 End plate, l.h.	750
Hinge, l.h.	
4812234689 Hinge, l.h.	See page 620
Safety lock	
4720003740 Safety lock	See page 582
End plate, r.h.	
4812234691 End plate, r.h.	756
Hinge, r.h.	
4812234680 Hinge, r.h.	See page 627
Safety lock	
4720003740 Safety lock	See page 582
4812231566 End pl., upper part e-heated	
4812231566 End pl., upper part e-heated	762
End plate	
4812231565 End plate	763
End plate, l.h.	
4812231540 End plate, l.h.	764

Bearing KITS D299000250 Bearing kit, tamper wing



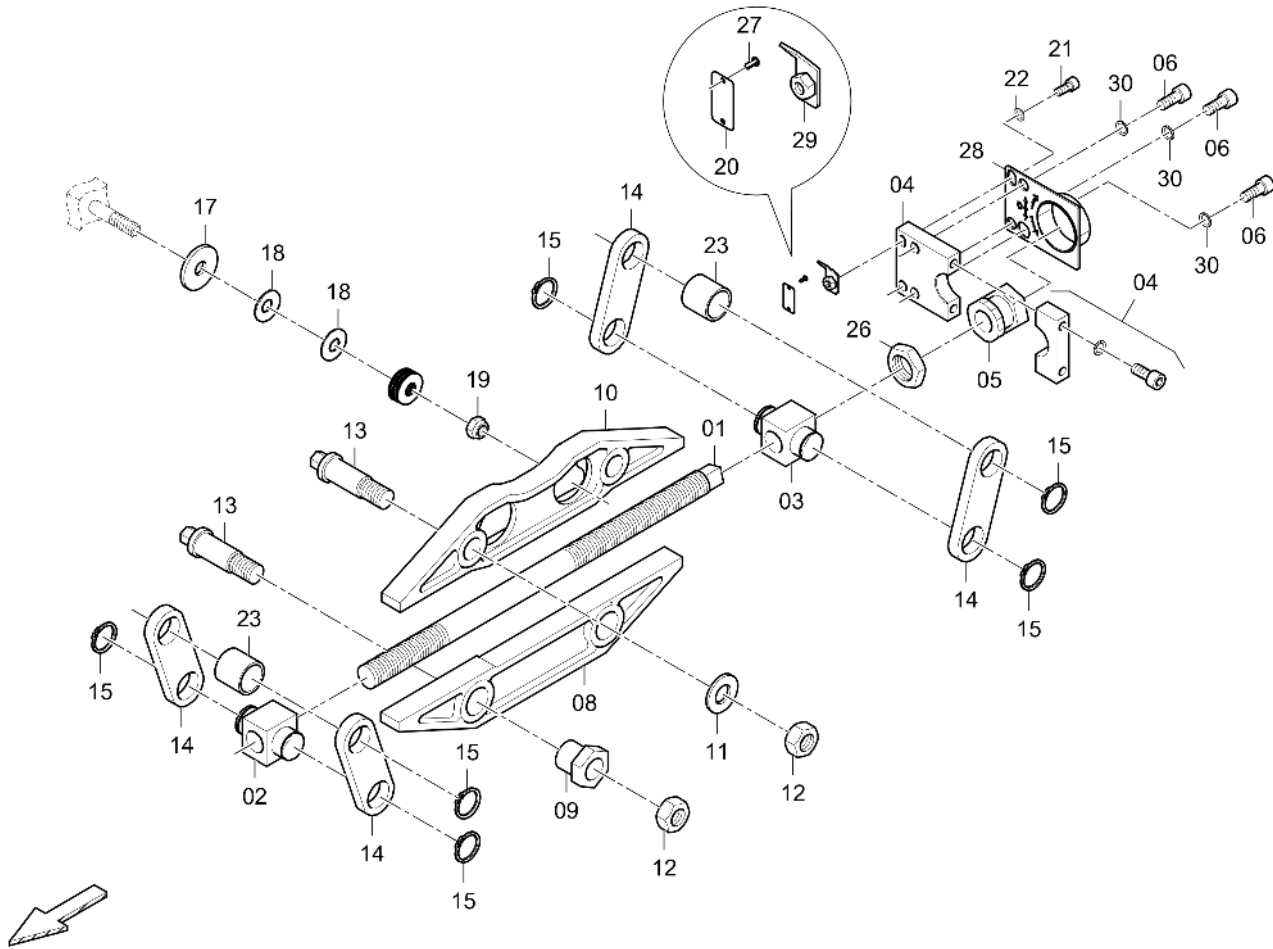
Item	Part No.	Name	Qty	L	C	SN INFO
KIT	D299000250	Bearing kit, tamper wing	1			
1	4730008748	Spacer	4			
2	4749040079	Seal ring	4			
3	4749900486	Circlip	2			
4	D935011814	Pendulum roller bearing	2			



Refer to Parts Online for the most up to date information. The printed information might be outdated.

Wed Oct 07 08:31:36 UTC 2020

Vertical adjustment, r.h. D614015000 Vertical adjustment, r.h.



Item	Part No.	Name	Qty	L	C	SN INFO
01	4730008784	Adjusting spindle	1			
02	4730008785	Nut	1			
03	4730008786	Nut	1			
04	4720003559	Support	1			
04.1	4730008791	Support	1			
04.2	4730008792	Support	1			
04.3	4700508053	Hexagon socket head cap screw M	2			
04.4	4749900025	Shake-proof washer	2			
05	4730008793	Adjusting nut	1			
06	0211140403	Hex. socket head capscrew	3			
08	4730008794	Guide rail, bottom	1			
09	4730008795	Eccentric bushing	2			
10	4730008789	Guide rail, top	1			
11	0300027469	Washer	2			
12	0261109978	Hexagon nut	4			
13	4720003558	Bolt	4			

Refer to Parts Online for the most up to date information. The printed information might be outdated.

Wed Oct 07 08:31:52 UTC 2020

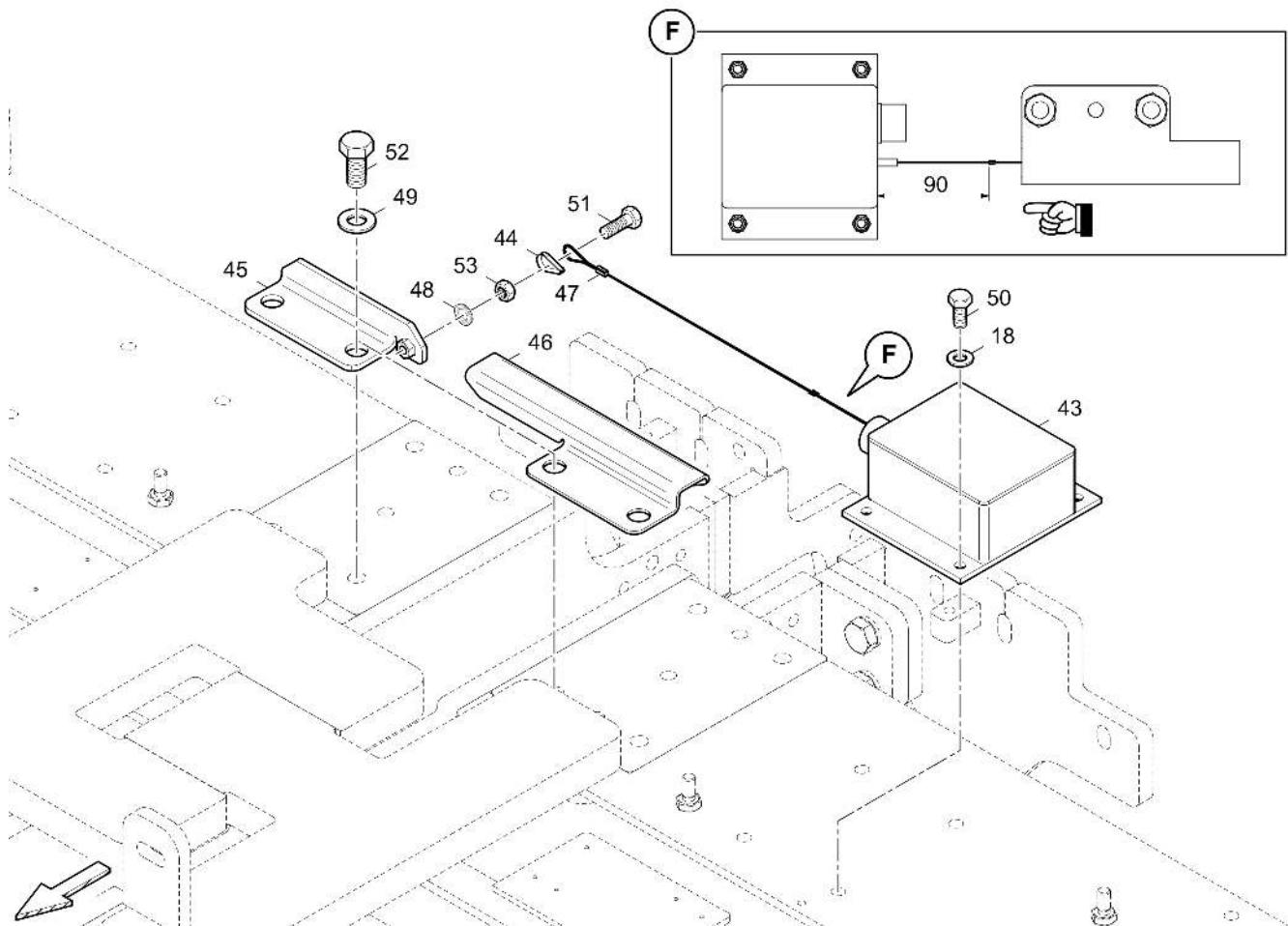
Referenced Pages

4812031450 Scale, r.h. 18

Item	Part No.	Name	Qty	L	C	SN INFO
18	4812026679	Retainer	2			
19	4812031328	Flat steel	4			
20	0333310055	Washer	8			
21	0333310050	Lock washer	32			
22	0333310051	Lock washer	28			
23	0333310052	Flat washer	28			
24	0147124403	Screw	8			
25	0147132203	Hexagon head screw	20			
26	0147132503	Hex. Head screw M8 x 25	4			
27	0147133012	Hex. head screw	20			
28	0147132303	Hexagon bolt	28			
29	0147136203	Hex.bolt M10x25	8			
30	0147136003	Screw cap	16			
31	0147136303	Screw	4			
32	0147140103	Screw	20			
35	0266211000	Hexagon nut	48			
36	0261211400	Hexagon nut	16			
37	4812026683	Pipe clamp	4			
38	D961102003	Nut	4			
40	0211124703	Hex sock. screw	4			
42	D614134400	Cover, l.h.	1			
43	D614134500	Cover, r.h.	1			
44	0211140003	Screw	8			
45	D608020600	Angle	1			
46	4812032122	Tamper bar	4			
47	D608020700	Angle	1			
49	4812230422	Flat steel	4			
50	4812230419	Guide plate	4			
51	0301235800	Plain washer	28			
52	0301233500	Plain washer	20			
56	4812215020	Flat tube heater, booster	2			
57	4812215014	Flat tube heater, outside	2			
58	4812215017	Flat tube heater, outside	2			
59	4812018621	Jam profile	2			
60	4812018626	Jam profile	2			
61	4812018627	Insulation	2			
62	4812018635	Insulation	2			
64	5541221000	Hexagon nut	8			

Refer to Parts Online for the most up to date information. The printed information might be outdated.

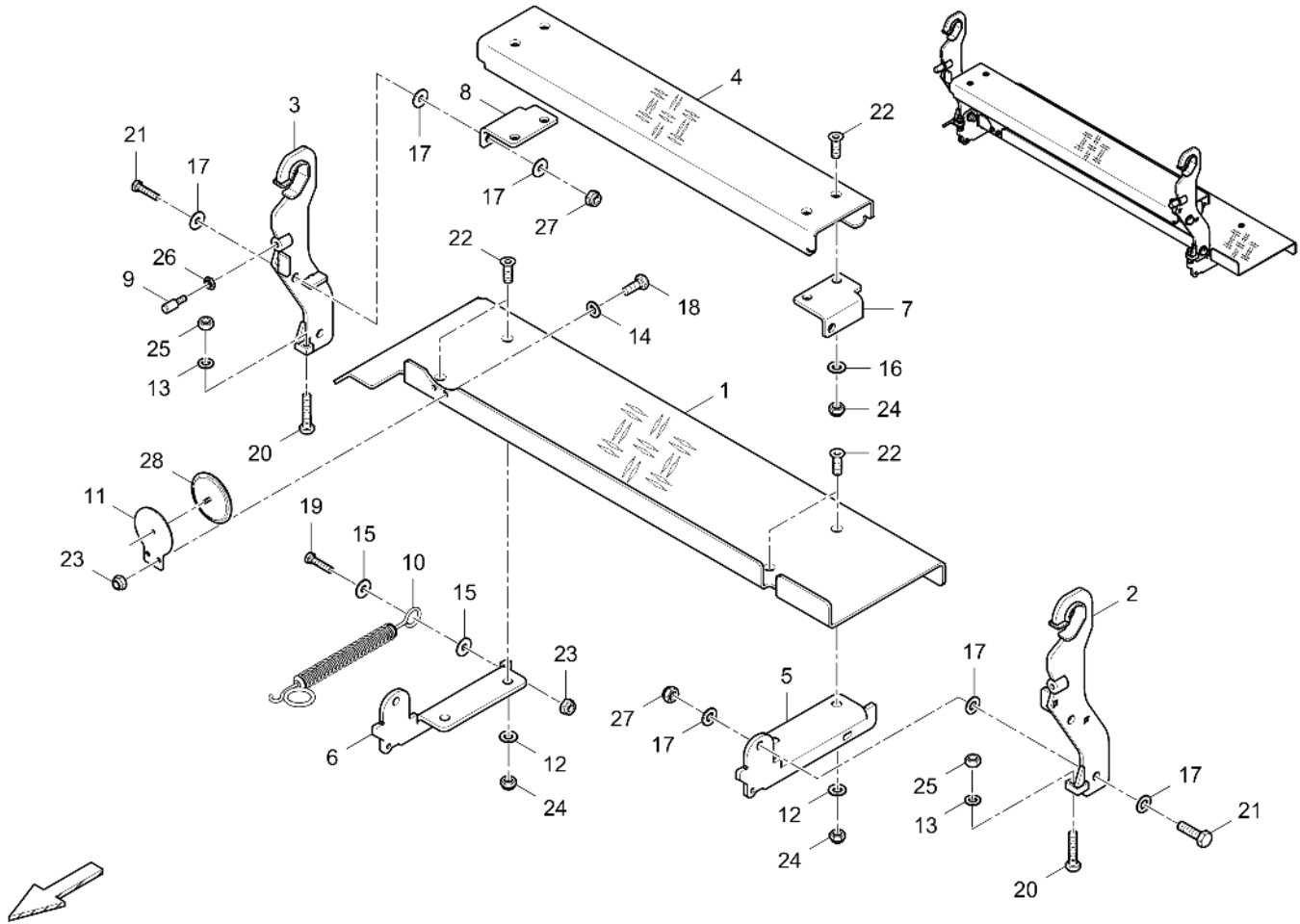
Wed Oct 07 08:32:10 UTC 2020



Item	Part No.	Name	Qty	L	C	SN INFO
1	4812028138	Support block	1			
2	4812028143	Support block	1			
3	4812012245	Fork end, l.h.	1			
4	4812012230	Fork end, r.h.	1			
5	4812028150	Holding device	2			
6	4812011783	Worm cover	1			
7	4730008780	Bearing	4			
8	4730014754	Setting nut	1			
9	4730014756	Washer	2			
10	4730014853	Joint part	2			
11	4730015372	Setting nut	1			
12	4730015375	Joint part	2			
13	D606030900	Top con rod	1			
14	D606100001	Sleeve	2			
15	4812015382	Bolt	2			
16	4730009052	Washer	2			
17	4749901860	Washer	2			

Refer to Parts Online for the most up to date information. The printed information might be outdated.

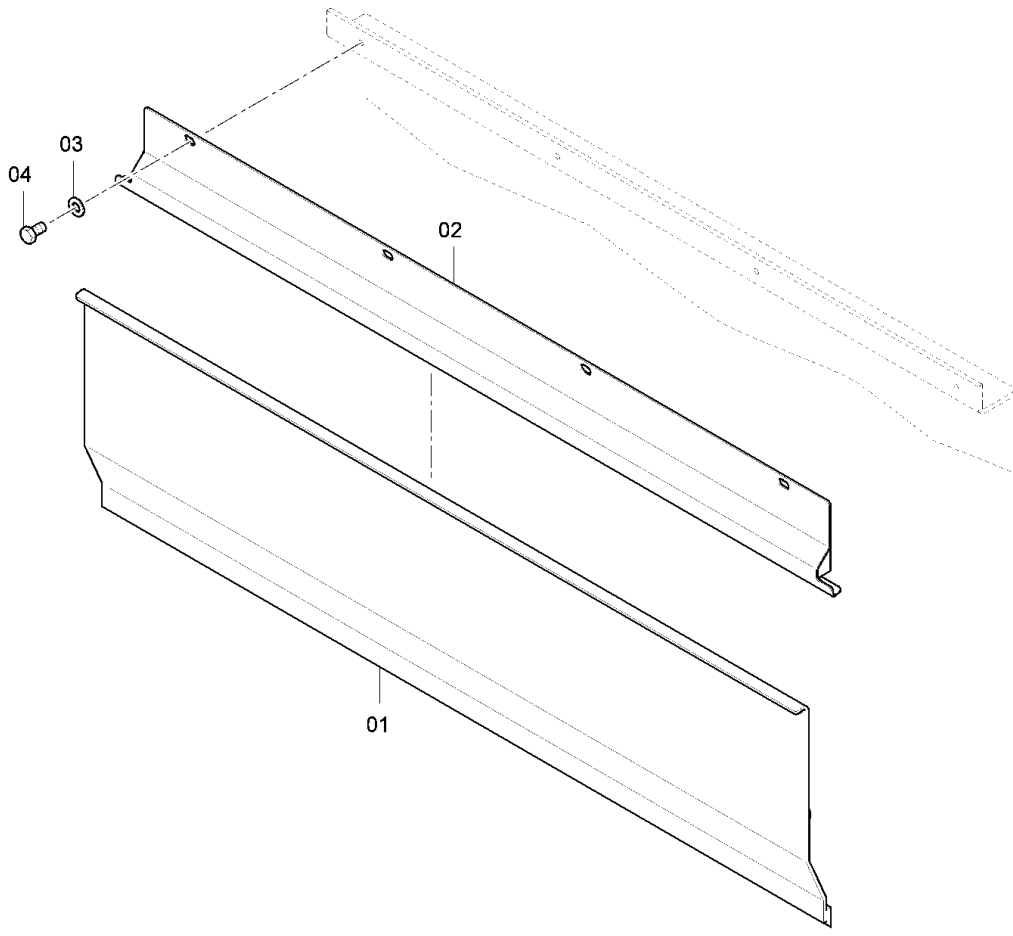
Wed Oct 07 08:32:26 UTC 2020

Footboard, middle screed, r.h. 4812074840 Footboard, MT r.h.

Item	Part No.	Name	Qty	L	C	SN INFO
1	D615143201	Footboard plate	1			
2	4812074804	Arm, l.h.	1			
3	4812074803	Arm, r.h.	1			
4	D615143103	Footboard	1			
5	D614143105	Arm, l.h.	1			
6	D614143107	Arm, r.h.	1			
7	D614143108	Retainer, l.h.	1			
8	D614143110	Retainer, r.h.	1			
9	D606080104	Pivot	2			
10	D614144000	Spring	1			
11	4812073815	Retainer	1			
12	4730011831	Washer	4			
13	0333310052	Flat washer	2			
14	0301233500	Plain washer	2			
15	0300013040	Flat washer	2			
16	D939130012	Washer	4			

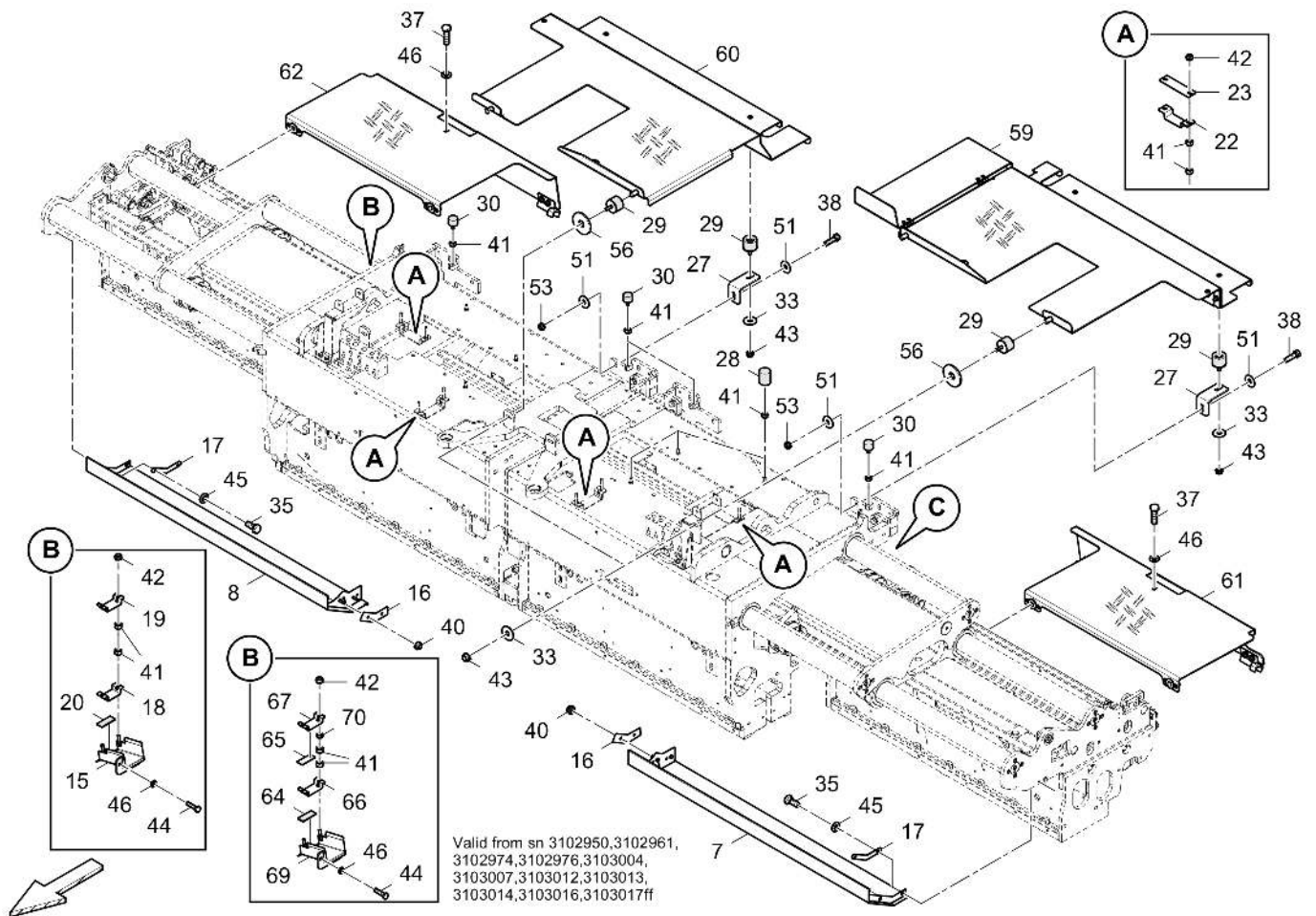
Refer to Parts Online for the most up to date information. The printed information might be outdated.

Wed Oct 07 08:32:37 UTC 2020

Tamper guide plate ext. part, VT I.h. 4812031275 Tamper guide plate ext. part, I.h.

Item	Part No.	Name	Qty	L	C	SN INFO
1	4812031281	Tamper guide plate	1			
2	4812031278	Guide rail	1			
3	D939776115	Lock washer	4			
4	0147135903	Hexagon bolt	4			

Protection and trim plates, valid from s/n 3103220, 3221, 3223, 3305, 3343, 3365, 3430, 3431, 3435, 3436, 3444, ff 4812239274 Protection and trim plates

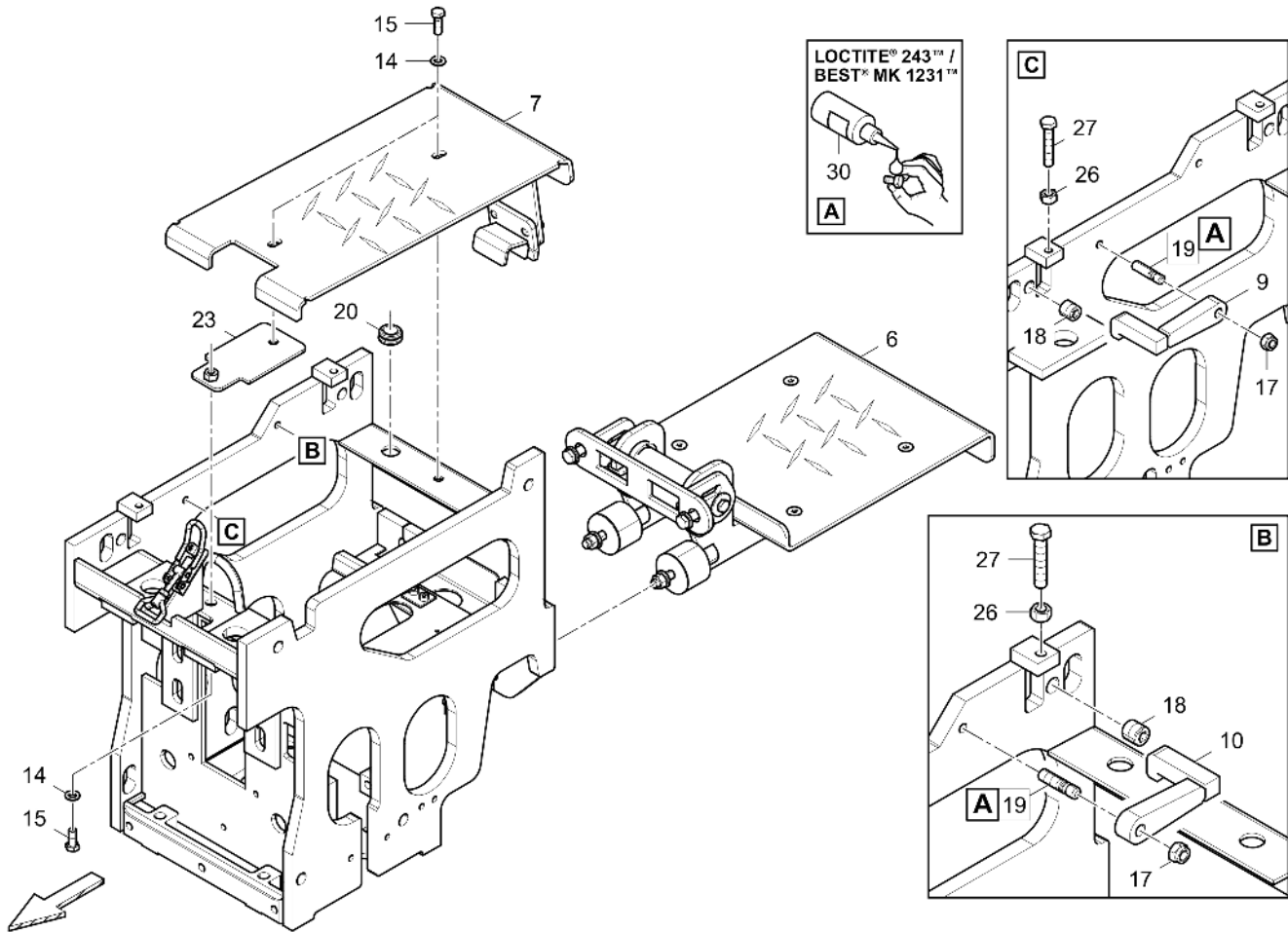


Refer to Parts Online for the most up to date information. The printed information might be outdated.

Wed Oct 07 08:32:58 UTC 2020

Referenced Pages

D614134600 Adjusting screw 78

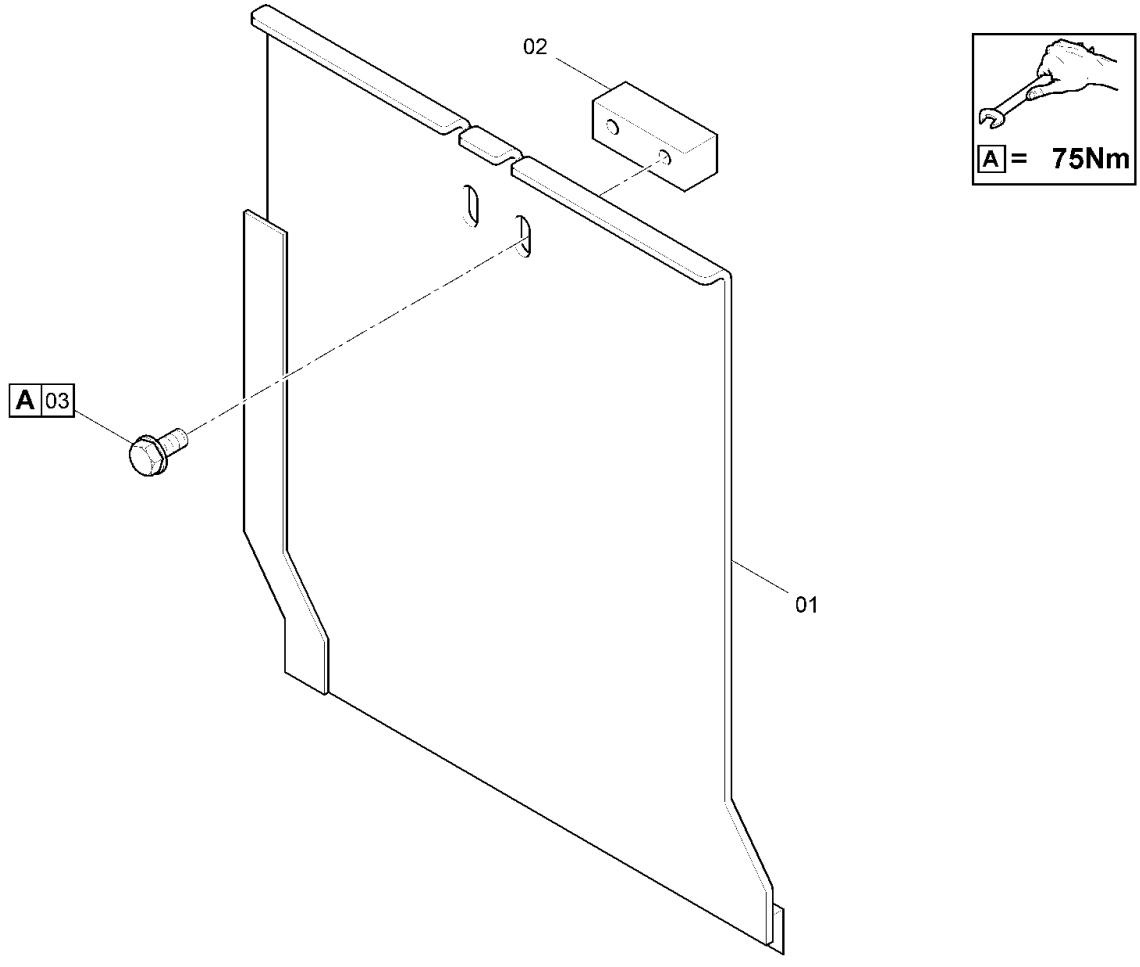


Item	Part No.	Name	Qty	L	C	SN INFO
1	4812233091	Extension mount	1			
2	4812232157	El. heating	1			
3	4812029716	Tamper drive ext. part 350mm, l.h.	1			
4	4812029876	Vibration ext. part 350mm, l.h.	1			
5	4812029847	Tamper guide plate ext. part 350mm, l.h.	1			
6	4812075063	Footboard	1			
7	4812233007	Protecting hood	1			
8	D614134600	Adjusting screw	2			
9	D614214200	Adjusting mount	1			
10	D614214300	Adjusting mount	1			
11	4720004332	Coupling	1			
12	D614210303	Washer	2			
13	4730013152	Washer	2			
14	0333310051	Lock washer	3			
15	0147136303	Screw	2			
16	0147155103	Screw DIN933	4			
17	5730008013	Hexagon nut	2			

Refer to Parts Online for the most up to date information. The printed information might be outdated.

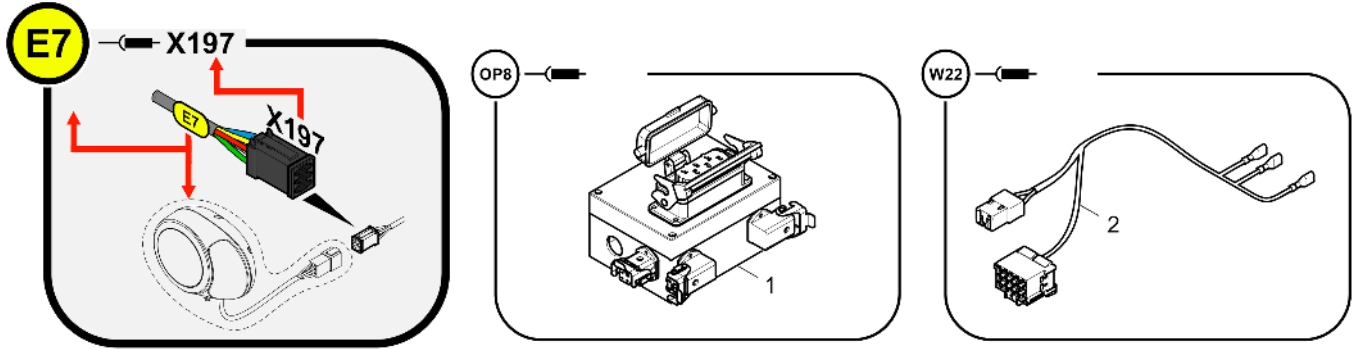
Wed Oct 07 08:33:14 UTC 2020

Tamper guide plate ext. part 350mm, l.h. 4812029847 Tamper guide plate ext. part 350mm, l.h.



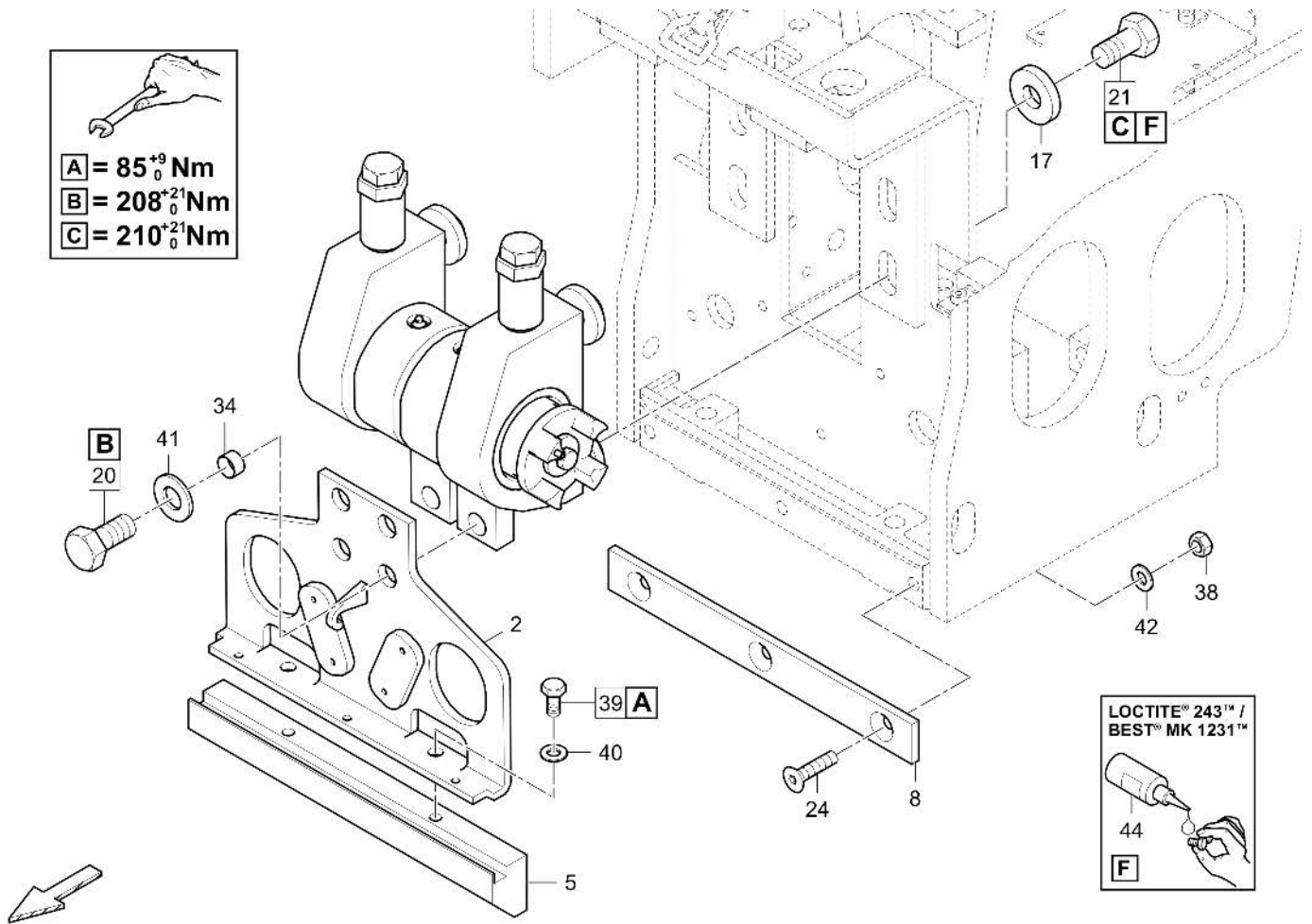
Item	Part No.	Name	Qty	L	C	SN INFO
1	4812029848	Tamper guide plate	1			
2	D606305603	Stop	1			
3	0147300067	Tensilock screw	2			

Electric AT I.h. 350 4812017894 Electric



Item	Part No.	Name	Qty	L	C	SN INFO
1	4812017905	Electric	1			
2	4812033702	Cable harness W22 AT 350	1			

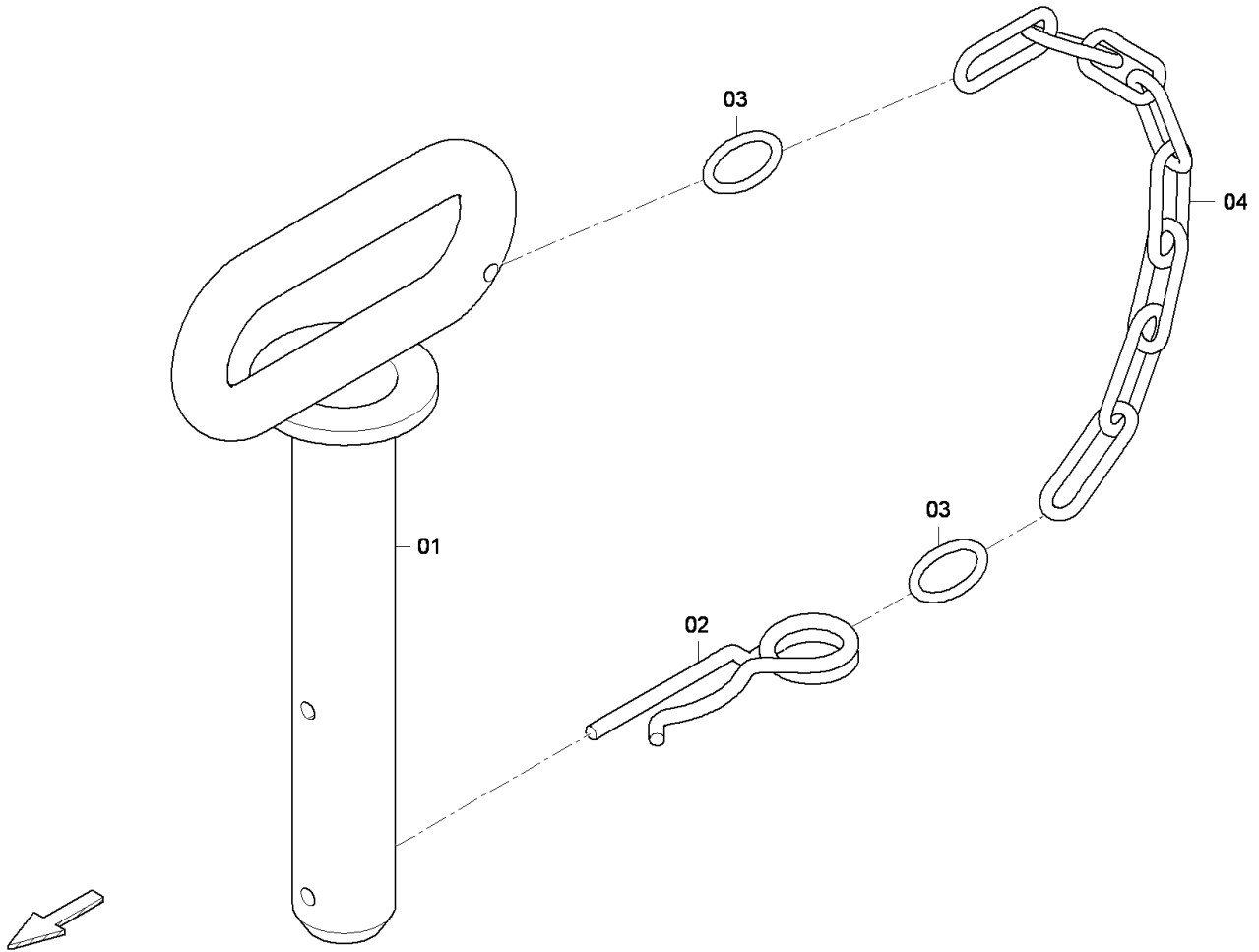
Tamper drive ext. part 350mm, r.h. 4812029768 Tamper drive ext. part 350mm, r.h.



Referenced Pages

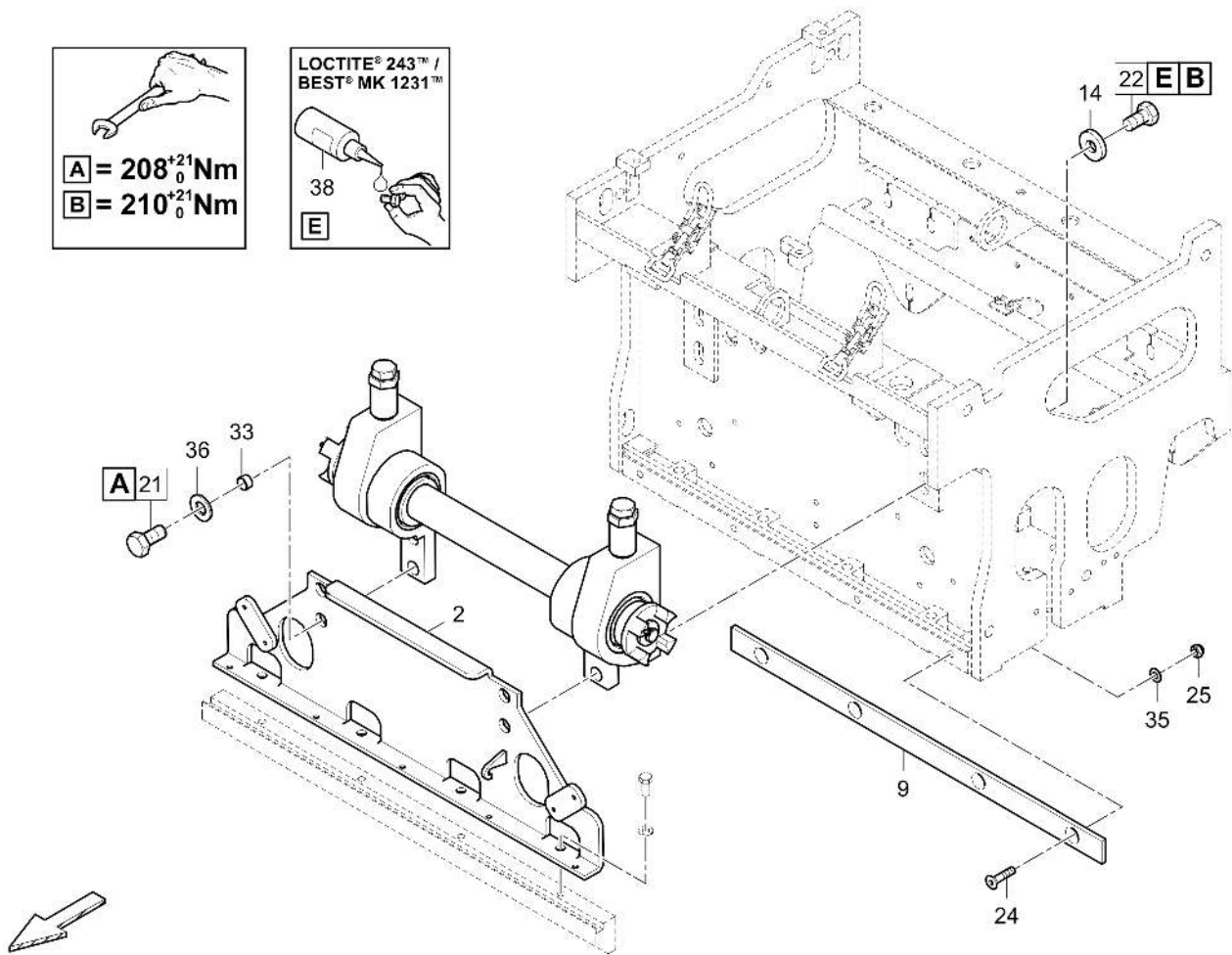
4812035437 Coupling 120

Socket pin 4812028407 Socket pin

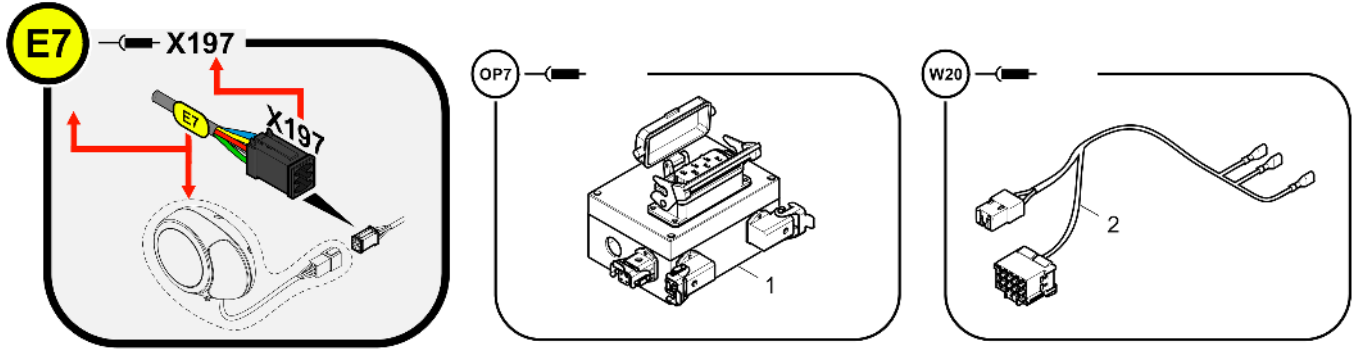


Item	Part No.	Name	Qty	L	C	SN INFO
1	4812028406	Socket pin	1			
2	4749300213	Spring cotter	1			
3	4749300214	Key ring	2			
4	D393000193	Chain	1			

Tamper drive ext. part 750mm 4812028555 Tamper drive ext. part 750mm

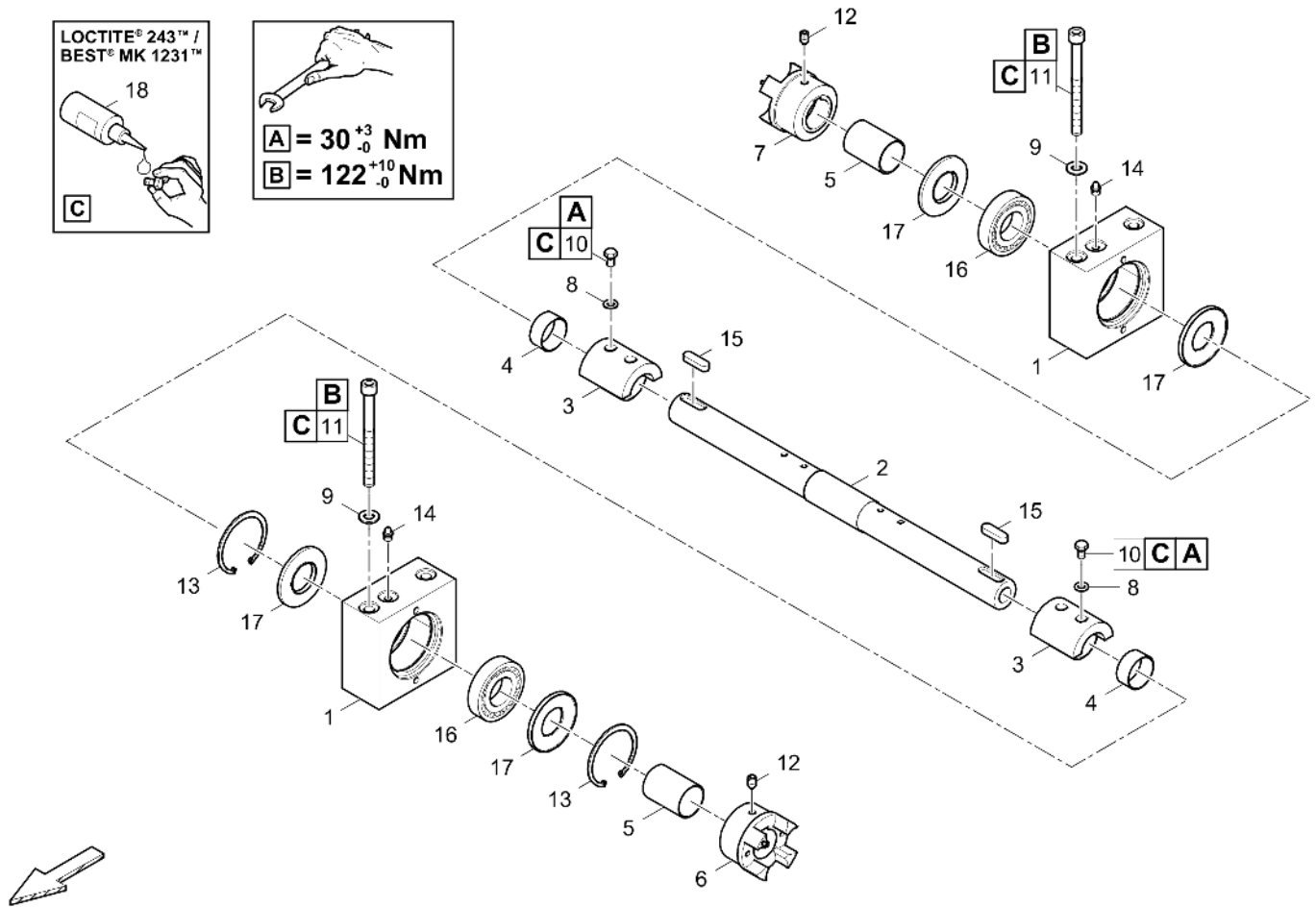


Electric AT I.h. 750 4812017899 Electric AT I.h. 750



Item	Part No.	Name	Qty	L	C	SN INFO
1	4812017907	Electric	1			
2	4812033701	Cable harness W20 AT750	1			

Vibration ext. part 750mm 4812233616 Vibration ext. part 750mm



Item	Part No.	Name	Qty	L	C	SN INFO
1	4812233617	Bearing	2			
2	4812029014	Vibration tube	1			
3	4812033564	Kinetic energy mass	2			
4	4812029016	Spacer	2			
5	4812029017	Spacer	2			
6	4730014757	Coupling	1			
6.1	4749900664	Dowel sleeve	1			
7	4730014758	Coupling	1			
7.1	4749900664	Dowel sleeve	1			
8	4749901806	Washer	4			
9	4749901808	Washer	4			
10	0211132303	Hex. socket screw	4			
11	0211110440	Hexagon socket head cap screw	4			
12	0190124143	Threaded pin	2			
13	4749900351	Circlip	2			
14	D935511210	Grease nipple	2			

Refer to Parts Online for the most up to date information. The printed information might be outdated.

Wed Oct 07 08:34:41 UTC 2020

Referenced Pages

D614134600 Adjusting screw 78

Referenced Pages

4812028407 Socket pin 154

Referenced Pages

D614134600 Adjusting screw 78

Referenced Pages

4812028757 Tamper guide plate ext. part 750mm, r.h. 191

Referenced Pages

4812029716 Tamper drive ext. part 350mm, l.h. 109

Referenced Pages

4812033702 Cable harness W22 AT 350 123

Referenced Pages

D614134600 Adjusting screw 78

Referenced Pages

4812027938 Material duct, adj., 1000mm, r.h. 153

	Referenced Pages	
4812075066 Footboard		171
	Referenced Pages	
4812075065 Footboard		170

Referenced Pages

4812028555 Tamper drive ext. part 750mm 164

Referenced Pages

4812232812 Extension mount, AT750, electric, r.h. 181

Referenced Pages

4812218140 Vibration ext. part 750mm 167

Referenced Pages

4812233616 Vibration ext. part 750mm 184

Referenced Pages

4812033699 Electric 200

Referenced Pages

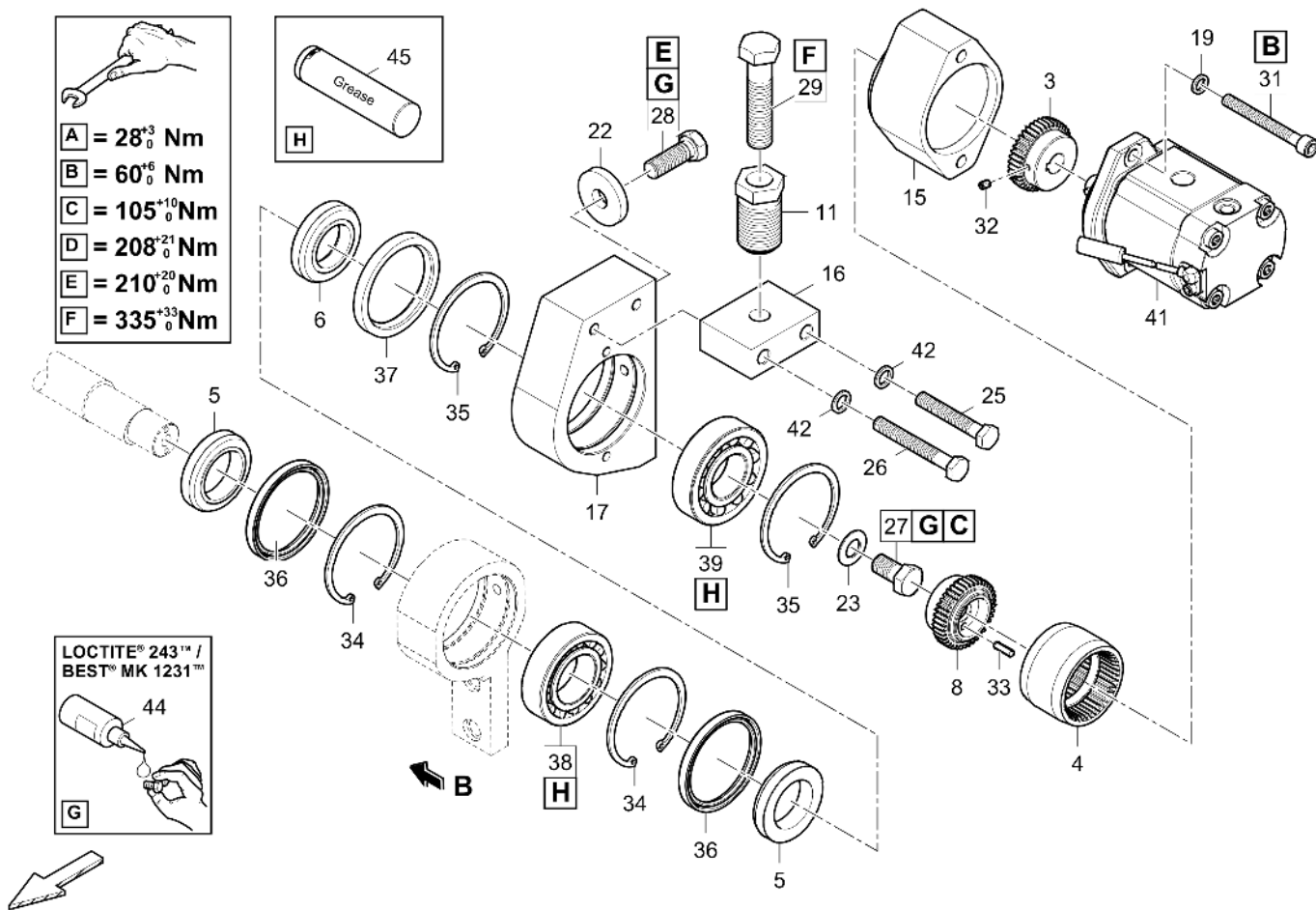
4720004332 Coupling 119

Referenced Pages

4812029882 Vibration ext. part 350mm, r.h. 137

Referenced Pages

4812017906 Electric 149

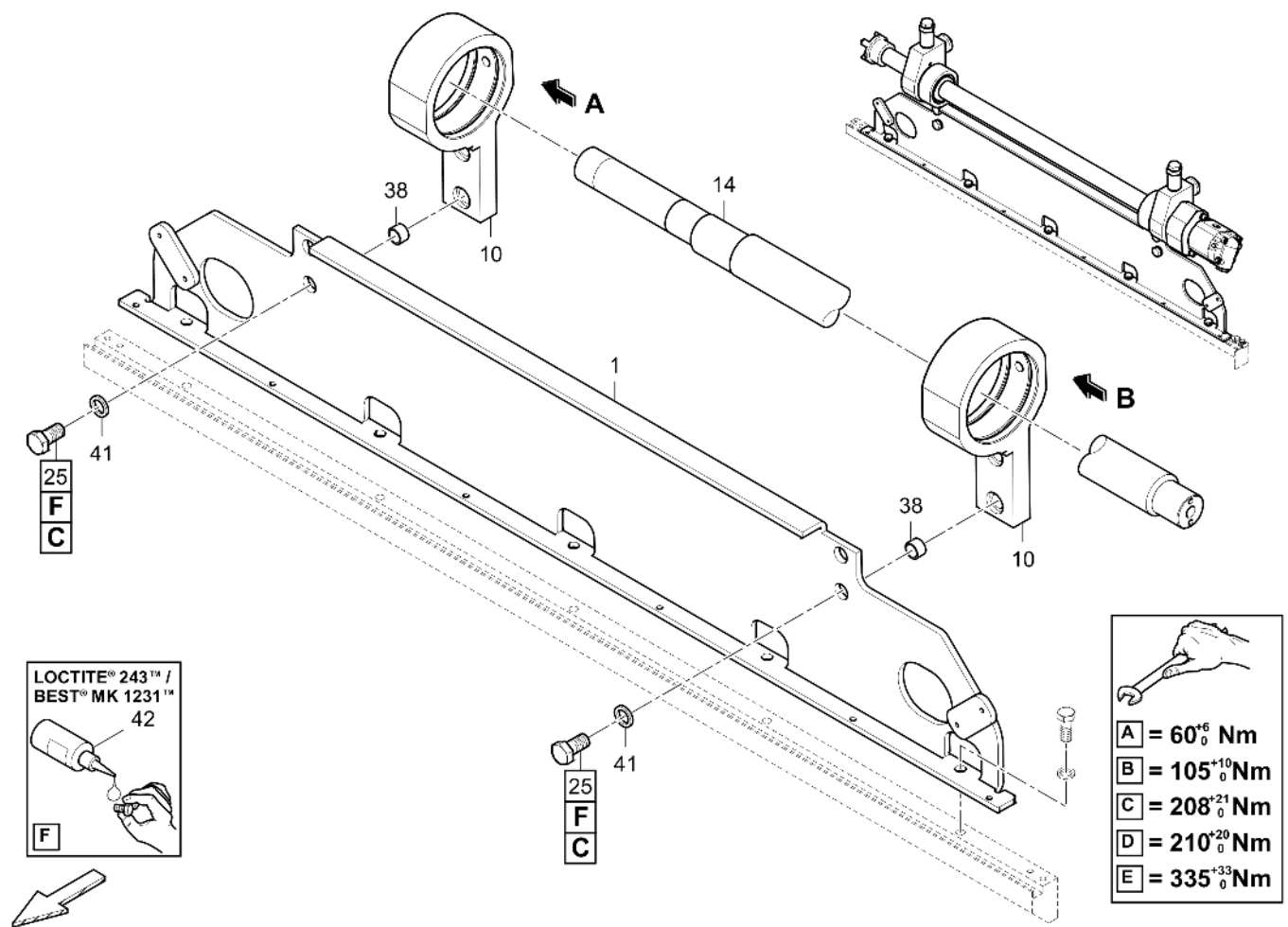


Item	Part No.	Name	Qty	L	C	SN INFO
1	4812032123	Tamper frame	1			
3	4812005471	Boss	1			
4	4812044123	Sleeve	1			
5	4730008748	Spacer	4			
6	4730012257	Spacer	2			
7	4730005134	Spacer	1			
8	4730012260	Coupling	1			
9	4730014426	Support block	1			
10	4730014428	Rocker assy	2			
11	4730014442	Adjusting screw	2			
12	D606021001	Flange	1			
13	D606021002	Spacer block	1			
14	D706021301	Tamper shaft	1			
15	4812227162	Housing	1			
16	4730015279	Block	1			
17	4730015280	Support block	1			
18	4749901806	Washer	2			

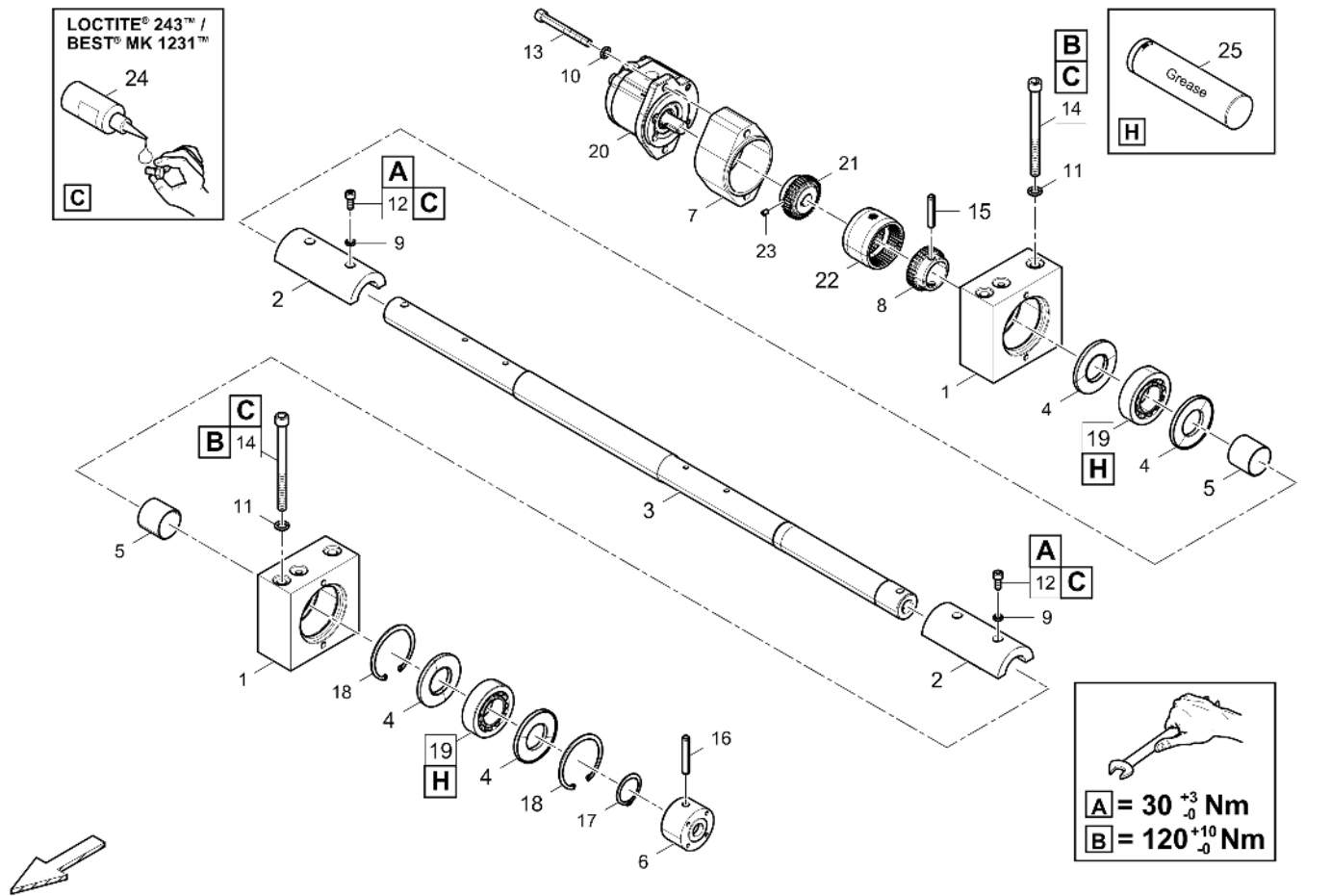
Refer to Parts Online for the most up to date information. The printed information might be outdated.

Wed Oct 07 08:35:14 UTC 2020

Tamper drive ext. part, r. h. 4812227172 Tamper drive ext. part, r.h.



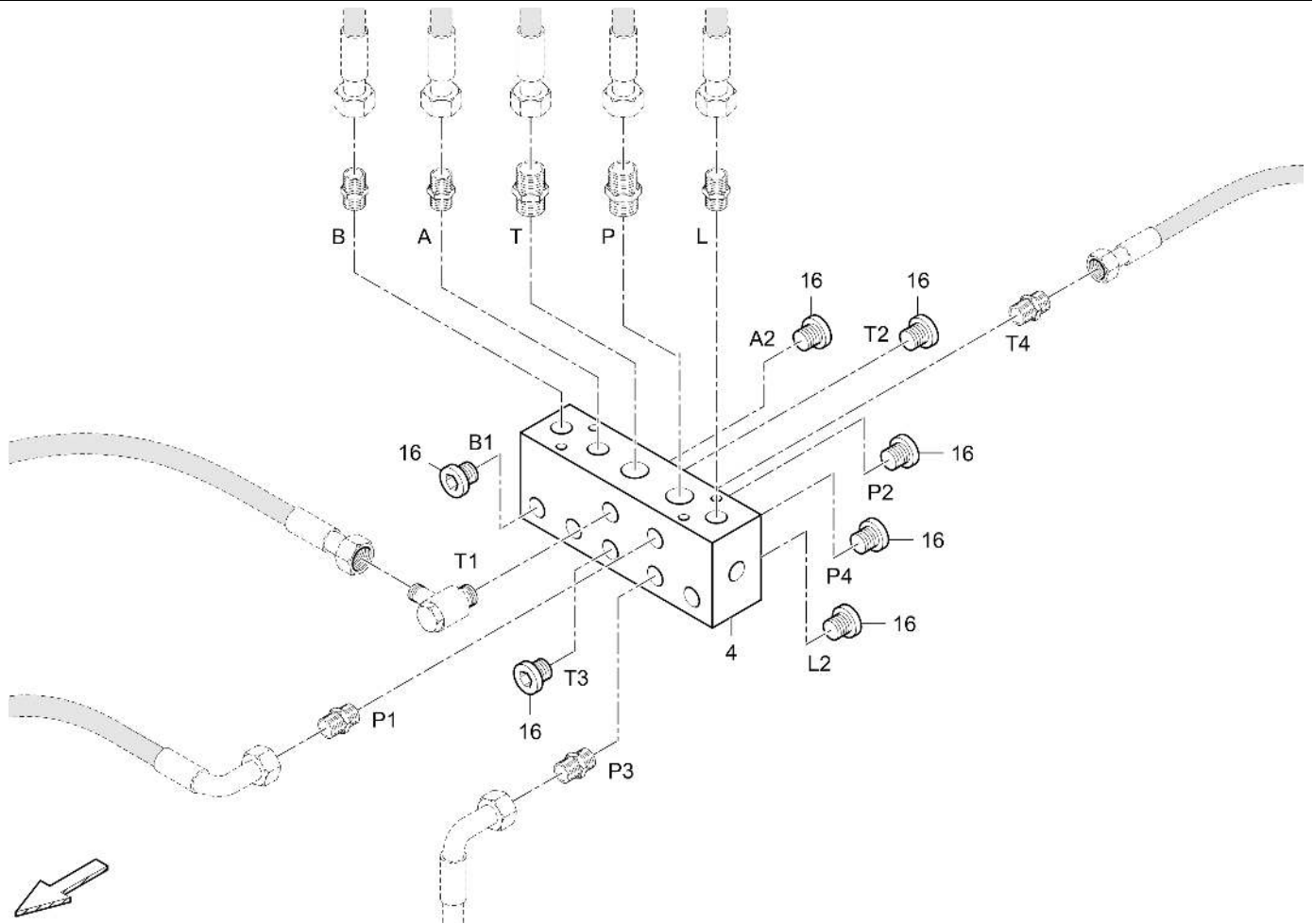
Vibration MTR 4812233163 Vibration MTR



Item	Part No.	Name	Qty	L	C	SN INFO
1	4812233617	Bearing	2			
2	4812009757	Kinetic energy mass	2			
3	4812031829	Vibration tube	1			
4	4749302735	Sealing moulded product	4			
5	4812027252	Spacer	2			
6	D606101001	Flange	1			
7	4812012552	Housing	1			
8	4730012328	Joint part	1			
9	4749901806	Washer	4			
10	4749901807	Lock washer	2			
11	4749901808	Washer	4			
12	0211132303	Hex. socket screw	4			
13	0211137503	Screw	2			
14	0211110440	Hexagon socket head cap screw	4			
15	4749901060	Dowel sleeve	1			
16	D931501330	Dowel pin	1			

Refer to Parts Online for the most up to date information. The printed information might be outdated.

Wed Oct 07 08:35:43 UTC 2020

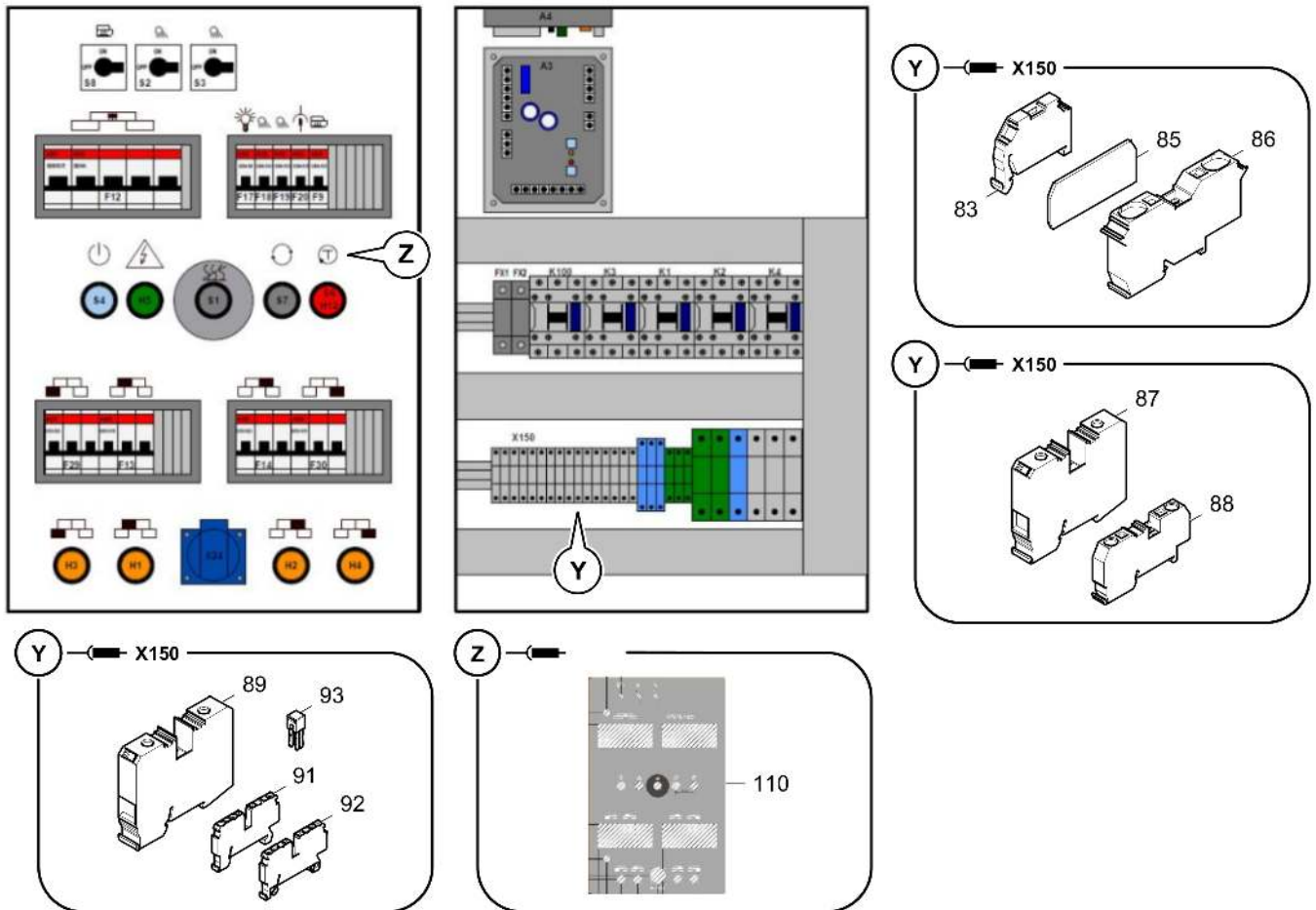


Item	Part No.	Name	Qty	L	C	SN INFO
4	4812031663	Connection block	1			
10	D961935120	Male connector	11			
11	4749220723	Elbow union	1			
12	4812038223	Hose	1			
13	4812038221	Hose	1			
15	D961935104	Straight double-ended union	4			
16	D961175109	Plug screw	8			
18	4812038224	Hose	1			
19	4812038220	Hose	1			
20	4749901806	Washer	4			
21	0211134203	Screw	4			
22	D961907008	Stud	2			
23	4812038215	Hose	2			
24	4812016473	Hose	2			
25	4749220734	Stud	2			
26	4812016444	Hose	2			
27	4812016451	Hose	2			

Refer to Parts Online for the most up to date information. The printed information might be outdated.

Wed Oct 07 08:35:55 UTC 2020

Item	Part No.	Name	Qty	L	C	SN INFO
84	4812071486	Hexagon nut	2			
85	D938501002	Nut	4			
86	4812217392	Hexagon socket head cap screw	2			
87	0333310055	Washer	2			

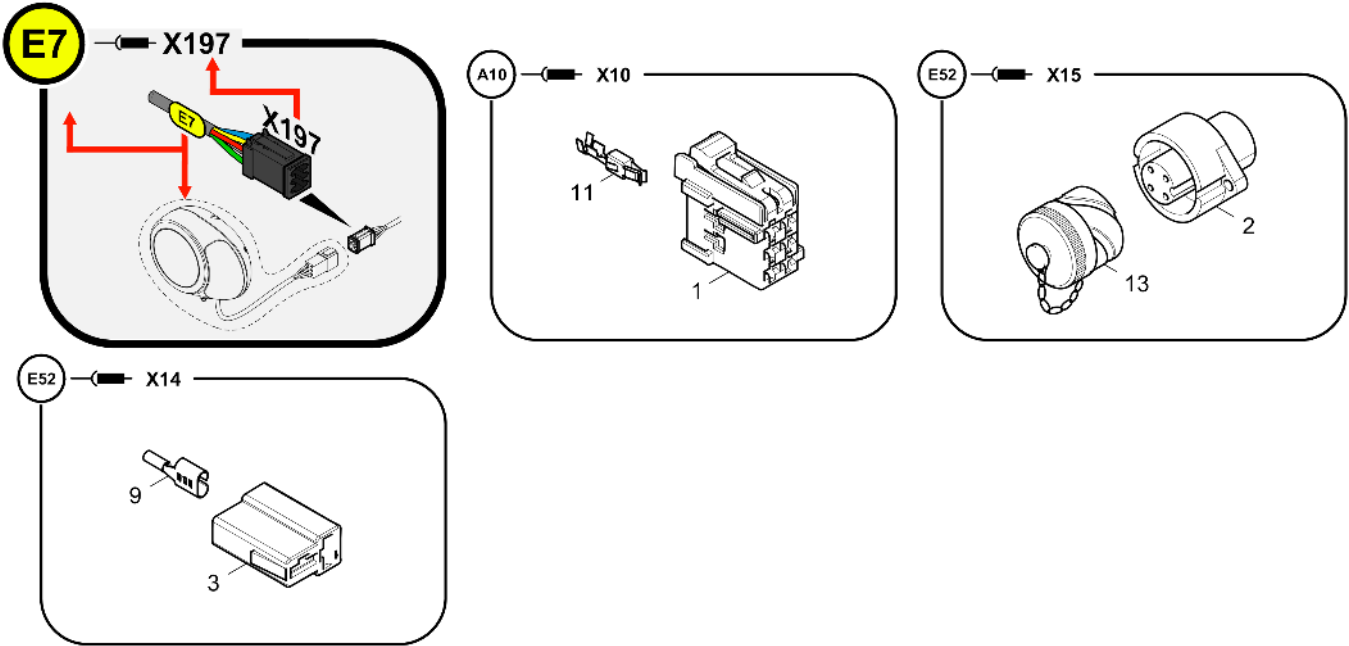


Item	Part No.	Name	Qty	L	C	SN INFO
1	4812217912	Switch cabinet	1			
1.5	4812227510	Lock, cpl.	1			
1.7	4812024627	Key	1			
4	D977451039	Window	4			
27	4812032799	Overload release, 4-pole	1			
28	D977455780	Overload release	1			
29	4812033308	Overload release	2			
30	4812033230	Overload release	2			
31	4812033228	Overload release	1			
32	4812033229	Overload release, 1-pole	3			
33	4812012728	Power breaker	2			
34	4812012729	Power breaker	2			
35	D977580296	Signal light, yellow	4			
36	D977580297	Signal light, green	1			
40	4812074901	Lamp base	1			
41	4812074912	Lamp base	4			
42	4812074913	Lamp base	1			

Refer to Parts Online for the most up to date information. The printed information might be outdated.

Wed Oct 07 08:36:28 UTC 2020

Harness 4812217778 Harness W15.4



Item	Part No.	Name	Qty	L	C	SN INFO
1	4812046164	Power-timer housing	1			
2	D977465404	Installation box	1			
3	D977330125	Female housing	1			
9	4812046142	Receptacle	2			
11	4812030987	Female contact	4			
13	D977465408	Protection cap	1			

Refer to Parts Online for the most up to date information. The printed information might be outdated.

Wed Oct 07 08:36:40 UTC 2020

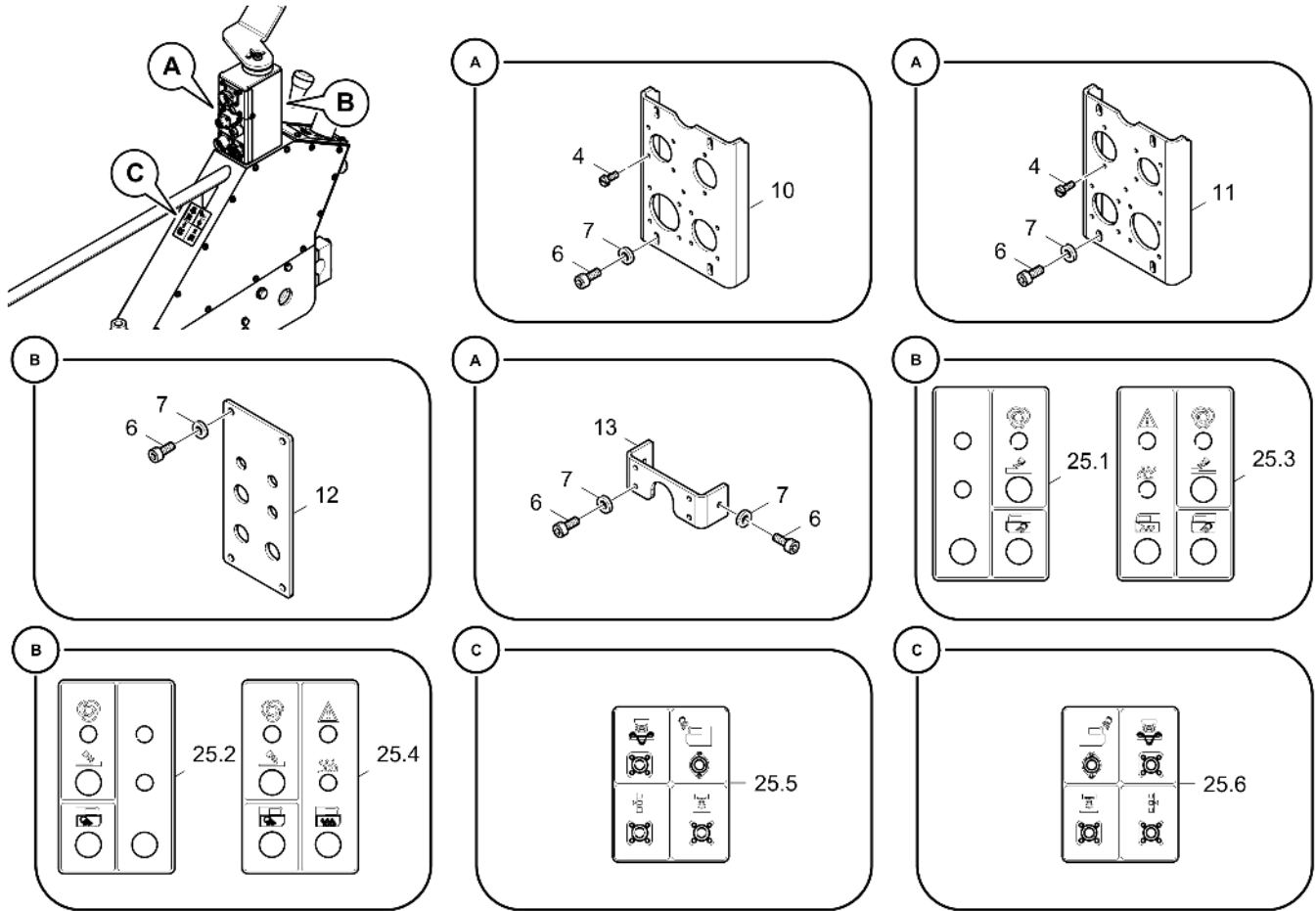
CLICK HERE TO **DOWNLOAD** THE COMPLETE MANUAL

- Thank you very much for reading the preview of the manual.
- You can download the complete manual from: www.heydownloads.com by clicking the link below



- Please note: If there is no response to **CLICKING** the link, please download this PDF first and then click on it.

CLICK HERE TO **DOWNLOAD** THE COMPLETE MANUAL

Harness 4812217857 Mounting parts side shield

Item	Part No.	Name	Qty	L	C	SN INFO
4	0160099758	Slotted screw	28			
6	4812216710	Screw	20			
7	4812202818	Lock washer	20			
10	4812239950	Cover plate, l.h.	1			
11	4812060089	Cover plate, r.h.	1			
12	4812216412	Cover plate	2			
13	4812216423	Cover plate	2			
25	4812072942	Decals	1			
25.1	4812072913	Adhesive foil, l.h.	1			
25.2	4812072914	Adhesive foil, r.h.	1			
25.3	4812217187	Adhesive foil, l.h.	1			
25.4	4812217185	Adhesive foil, r.h.	1			
25.5	4812217171	Adhesive foil, l.h.	1			
25.6	4812217249	Adhesive foil, r.h.	1			

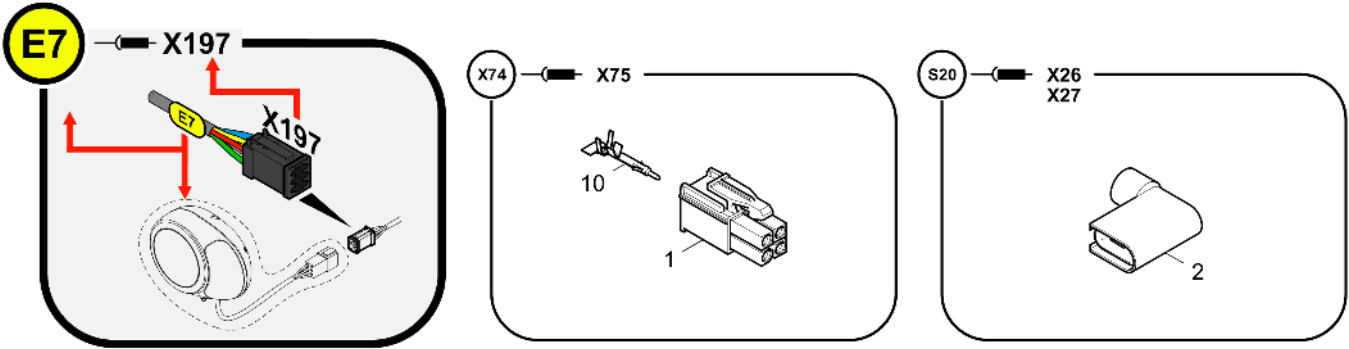
Refer to Parts Online for the most up to date information. The printed information might be outdated.

Wed Oct 07 08:36:55 UTC 2020

Item	Part No.	Name	Qty	L	C	SN INFO
17	D977478247	Dust cap	1			
50	4812017859	Housing	1			

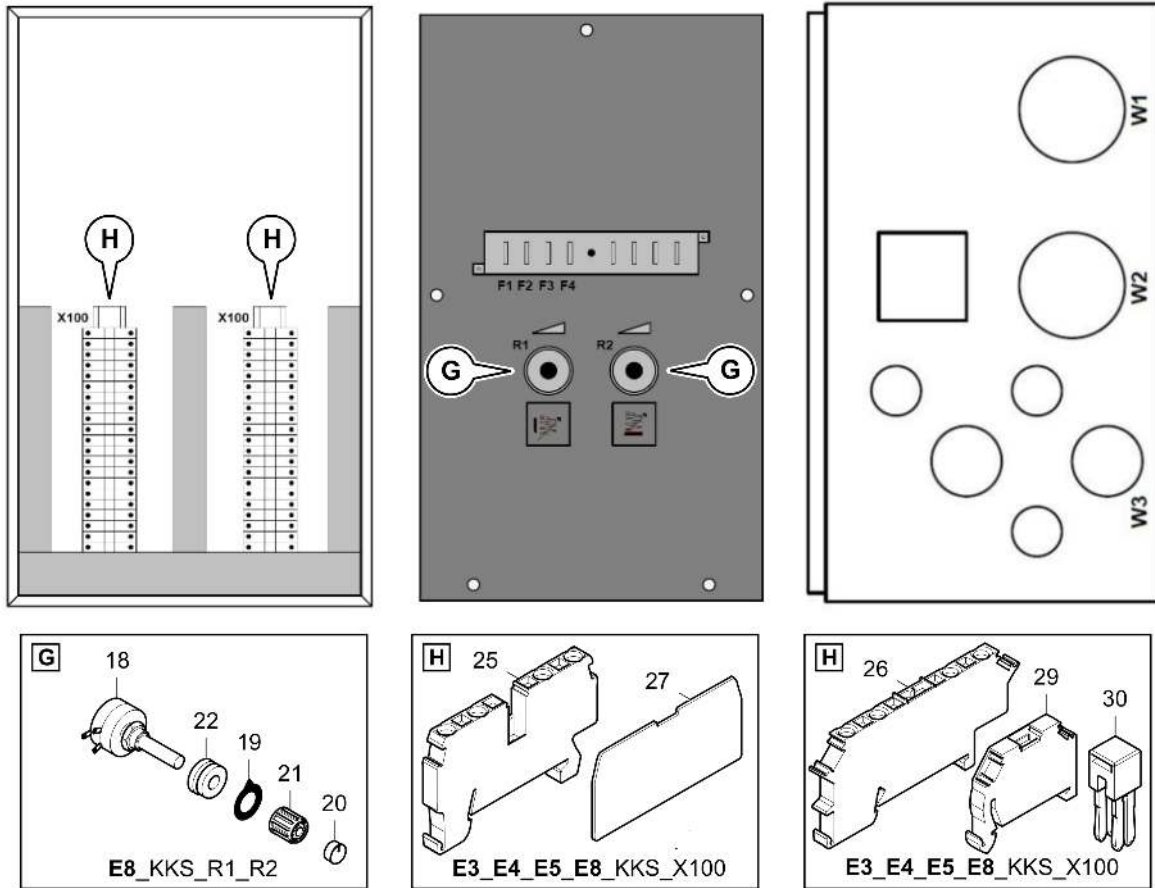
Item	Part No.	Name	Qty	L	C	SN INFO
X23		Electrical components			X23 - X23	
X23.1	D977331002	Timer housing	1			
X23.2	D977418051	Protection cap	1			

Cable 4812072758 Harness W16.12



Item	Part No.	Name	Qty	L	C	SN INFO
1	4812072646	Connector housing	1			
2	D977397656	Receptacle	2			
10	4812013158	Male contact	2			

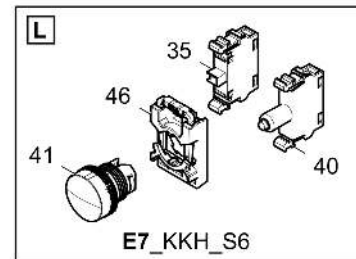
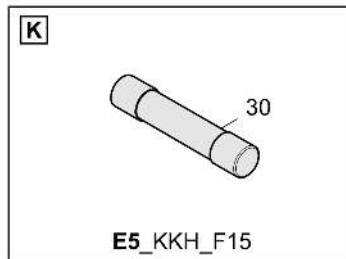
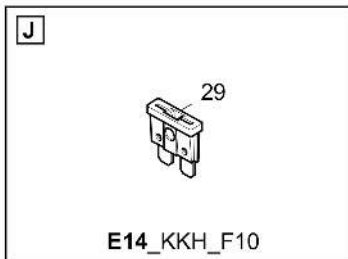
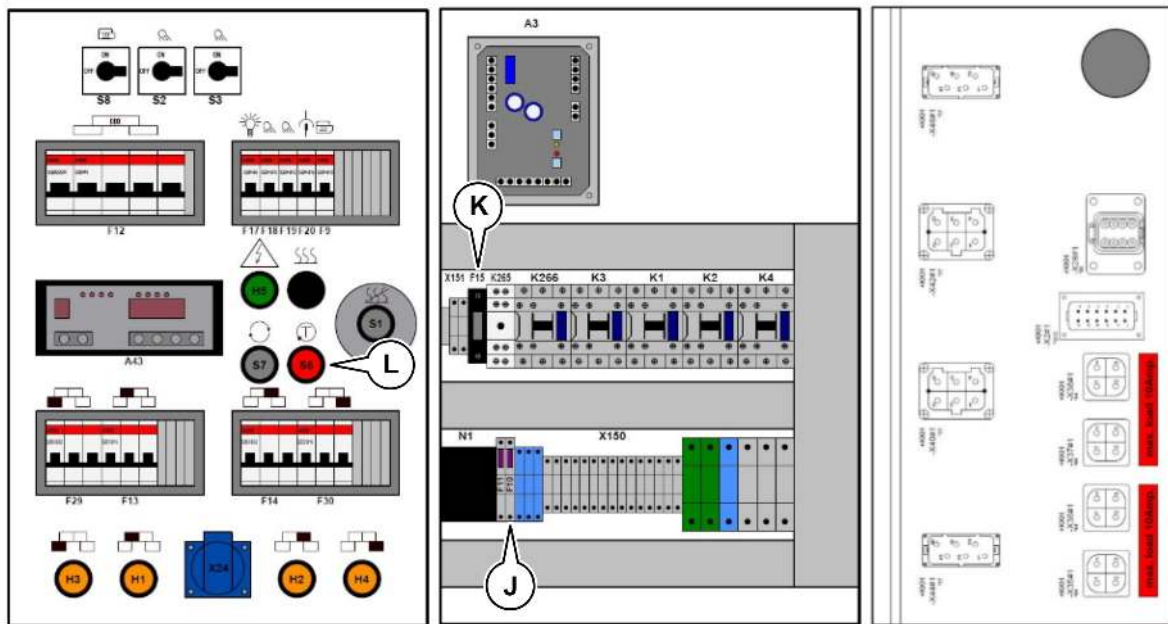
	Referenced Pages	
4812071224 Harness W1	403
4812071225 Harness W2	405
4812217647 Harness W3	407
4812217649 Harness W15	420
4812217818 Harness W15.1	421
4812217769 Harness W15.2	422
4812217661 Harness W15.3	423
4812217778 Harness W15.4	424
4812072825 Harness W15.5	425
4812217811 Harness W15.8	426
4812075497 Harness W15.20	437
4812217651 Harness W16	427
4812217832 Harness W16.1	428
4812217770 Harness W16.2	429
4812217663 Harness W16.3	430
4812217805 Harness W16.4	431
4812072826 Harness W16.5	432
4812217851 Harness W16.8	433
4812075498 Harness W16.20	438



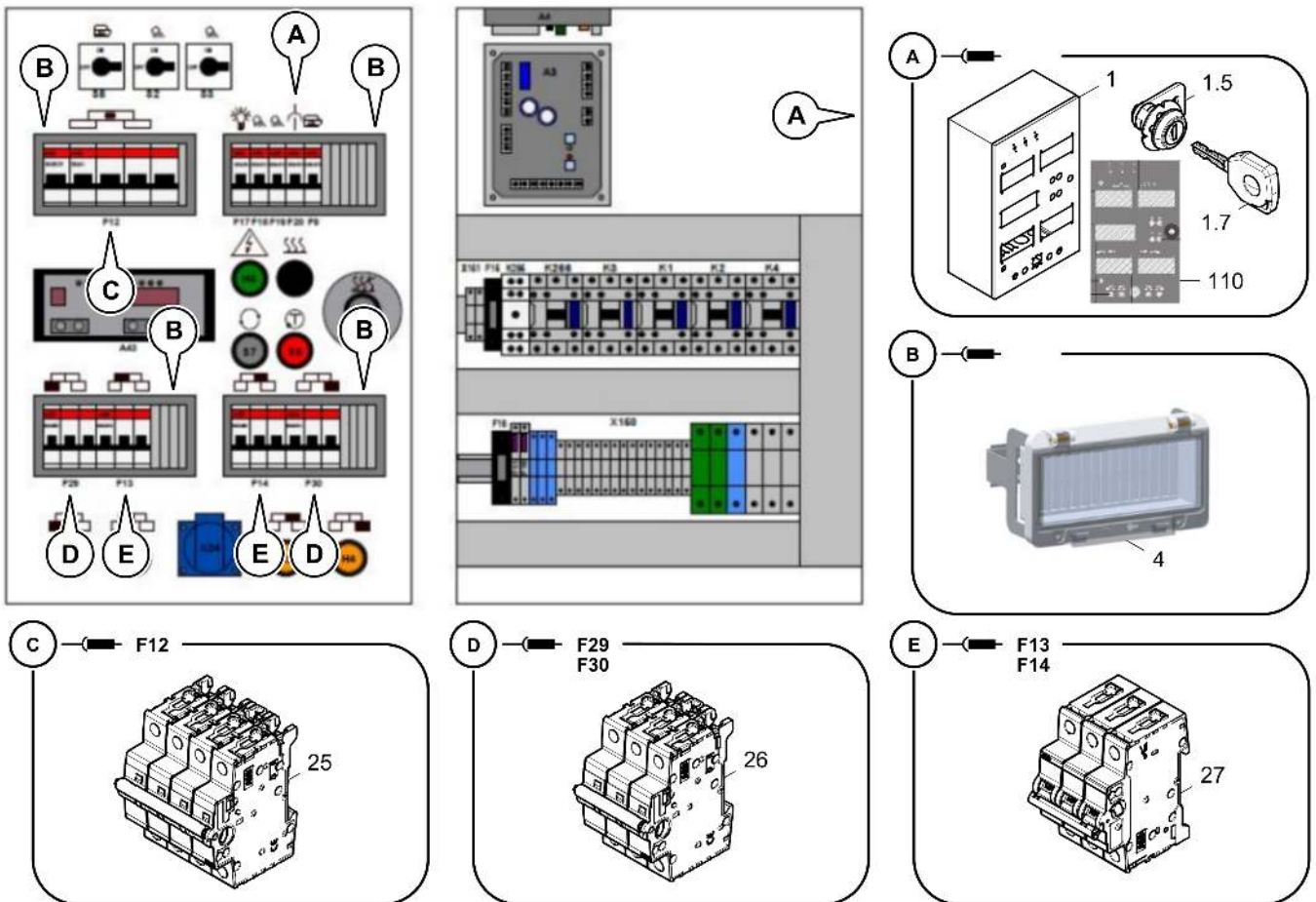
Item	Part No.	Name	Qty	L	C	SN INFO
3	4812215881	Harness W1	1			
4	4812015273	Harness W2	1			
5	4812016819	Harness W3	1			
6	4812015946	Harness W4	1			
10	D977454250	Fuse	1			
11	D977454252	Fuse	1			
12	D977454253	Fuse	1			
13	D977454254	Fuse	1			
14	D977455748	Fuse box	1			
15	D977459518	Bridge	4			
17	D977180606	Resistor	4			
18	D977189850	Potentiometer	2			
19	D977599032	Pointer	2			
20	D977599033	Cover	2			
21	D977599031	Button	2			
22	D977418710	Bushing socket	2			
25	D977425147	Through clamp	36			

Refer to Parts Online for the most up to date information. The printed information might be outdated.

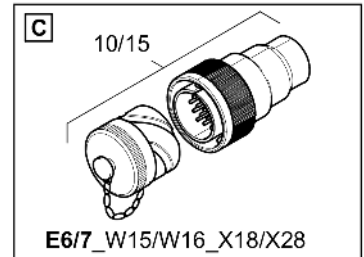
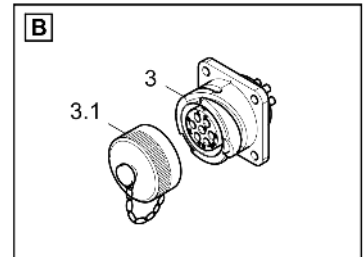
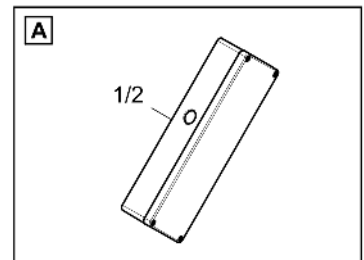
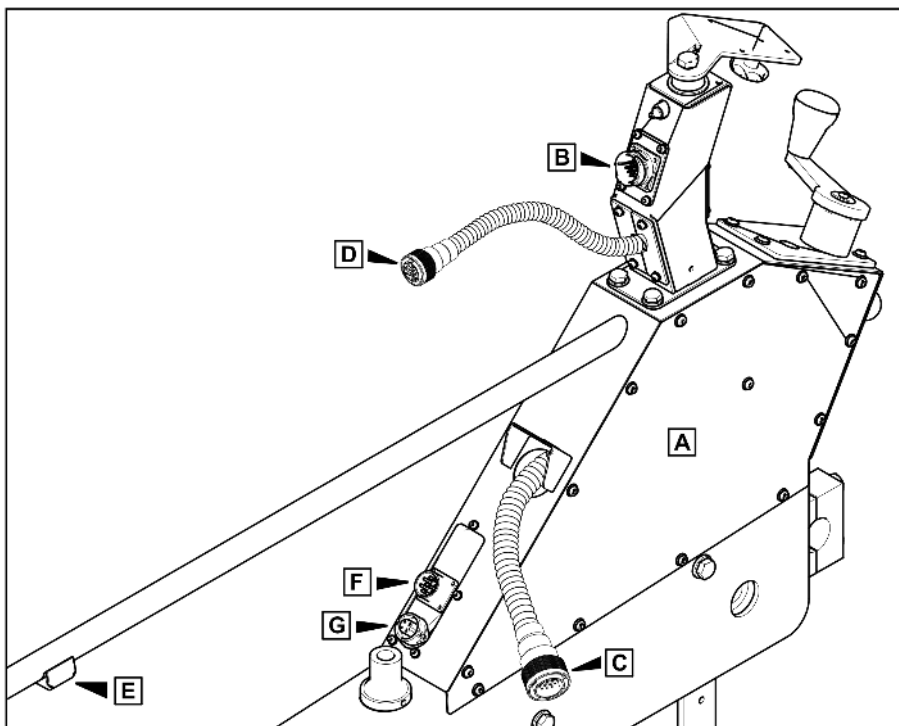
Wed Oct 07 08:38:04 UTC 2020



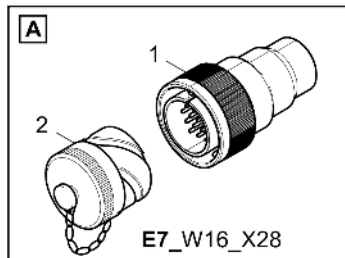
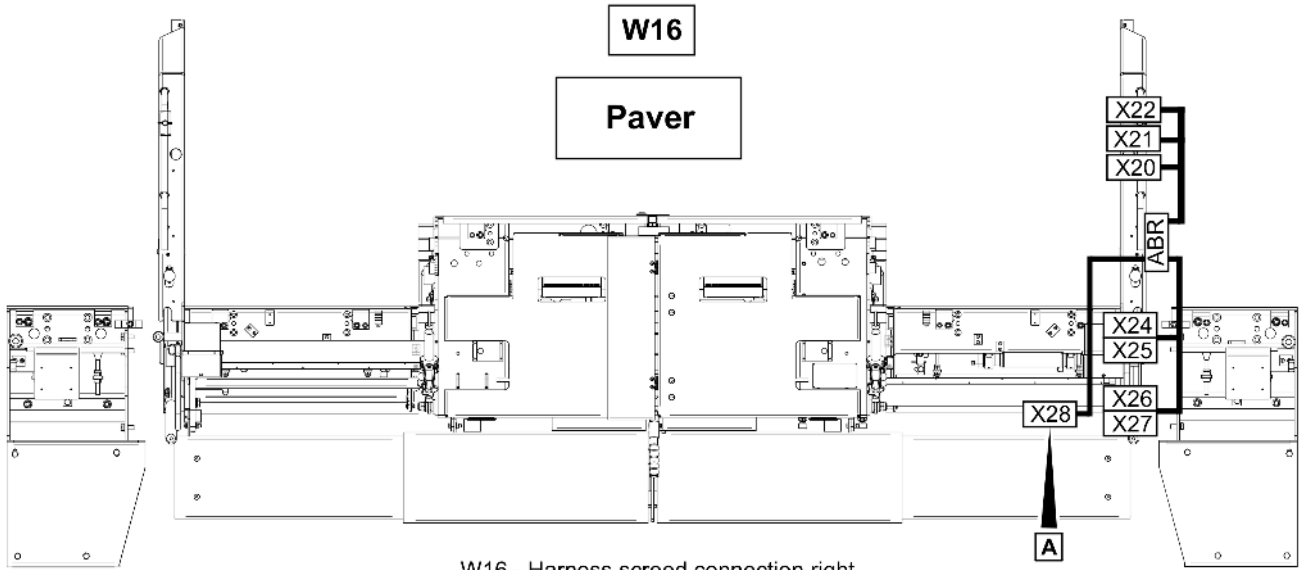
Control box 4812071020 Control box 33 KVA



Electric side plate 4812016776 Electric side plate

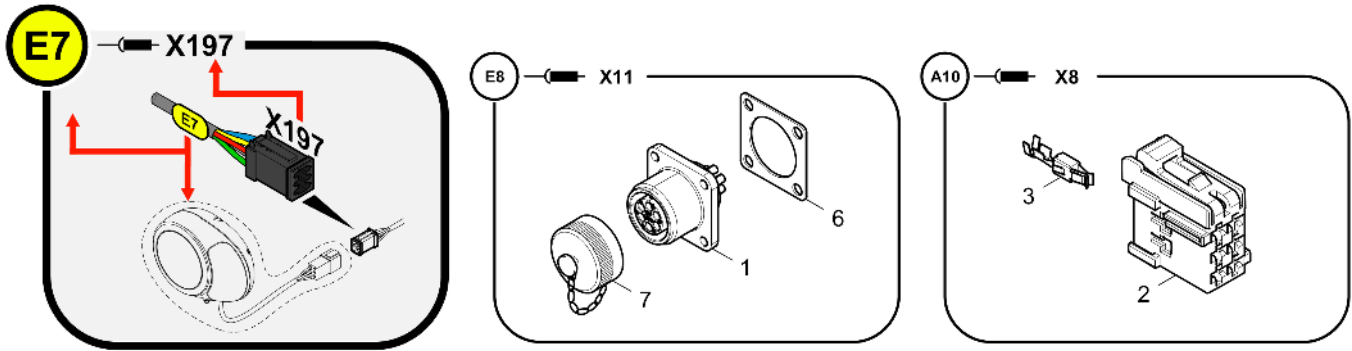


Harness 4812016107 Harness W16



Item	Part No.	Name	Qty	L	C	SN INFO
1	4812073681	Plug	1			
2	4812073686	Dust cap	1			

Harness W15.2 4812071307 Harness W15.2

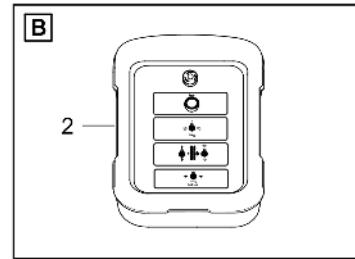
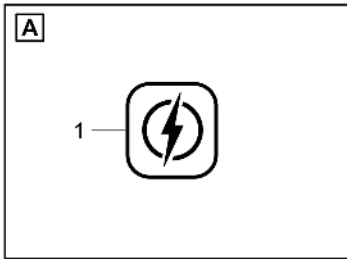
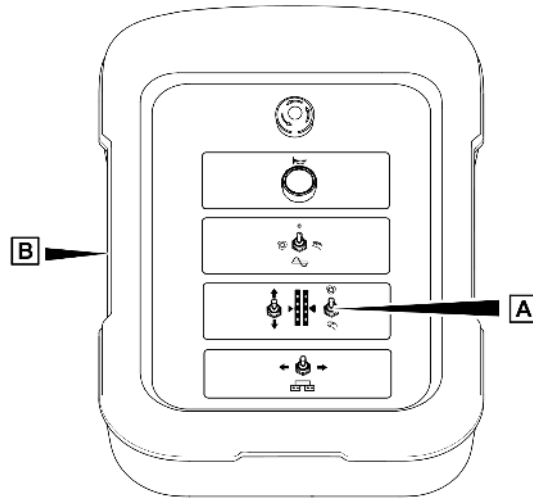


Item	Part No.	Name	Qty	L	C	SN INFO
1	4812073676	Socket	1			
2	4812029218	Power-timer housing	1			
3	4812030987	Female contact	3			
6	D977416564	Sealing	1			
7	4812073687	Dust cap	1			

Referenced Pages

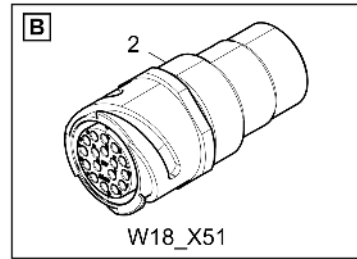
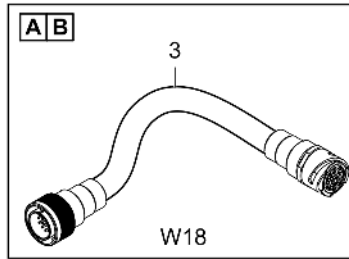
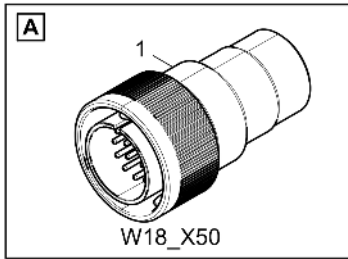
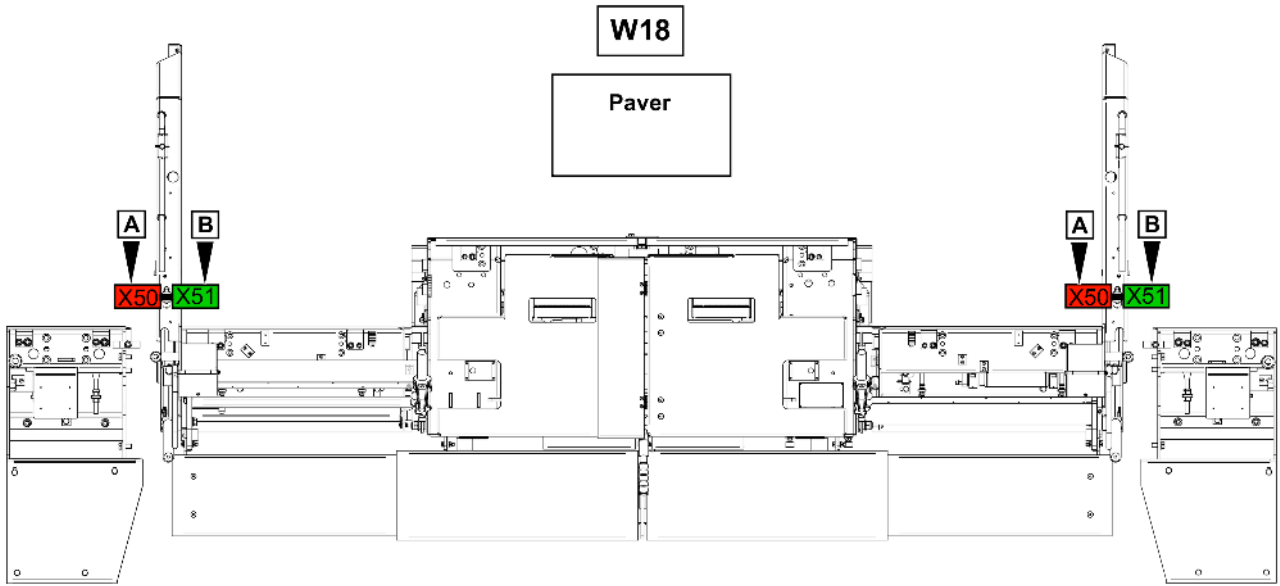
4812017755 Housing MTR 442

Remote control 4812018043 Remote control

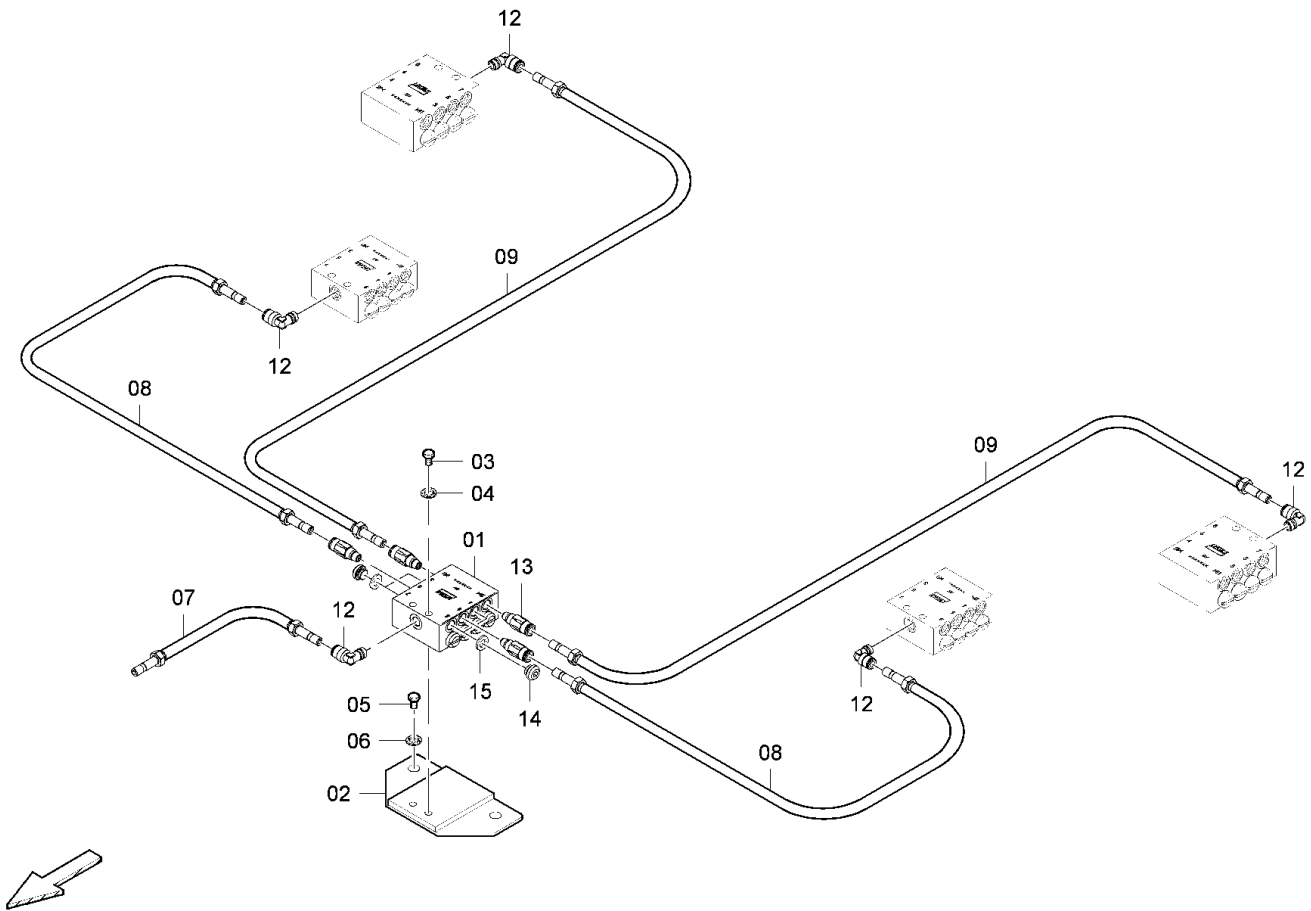


Item	Part No.	Name	Qty	L	C	SN INFO
1	4812016231	Remote control	1			
2	4812016220	Housing	1			

Connecting cable, con. 4812017559 Harness W18



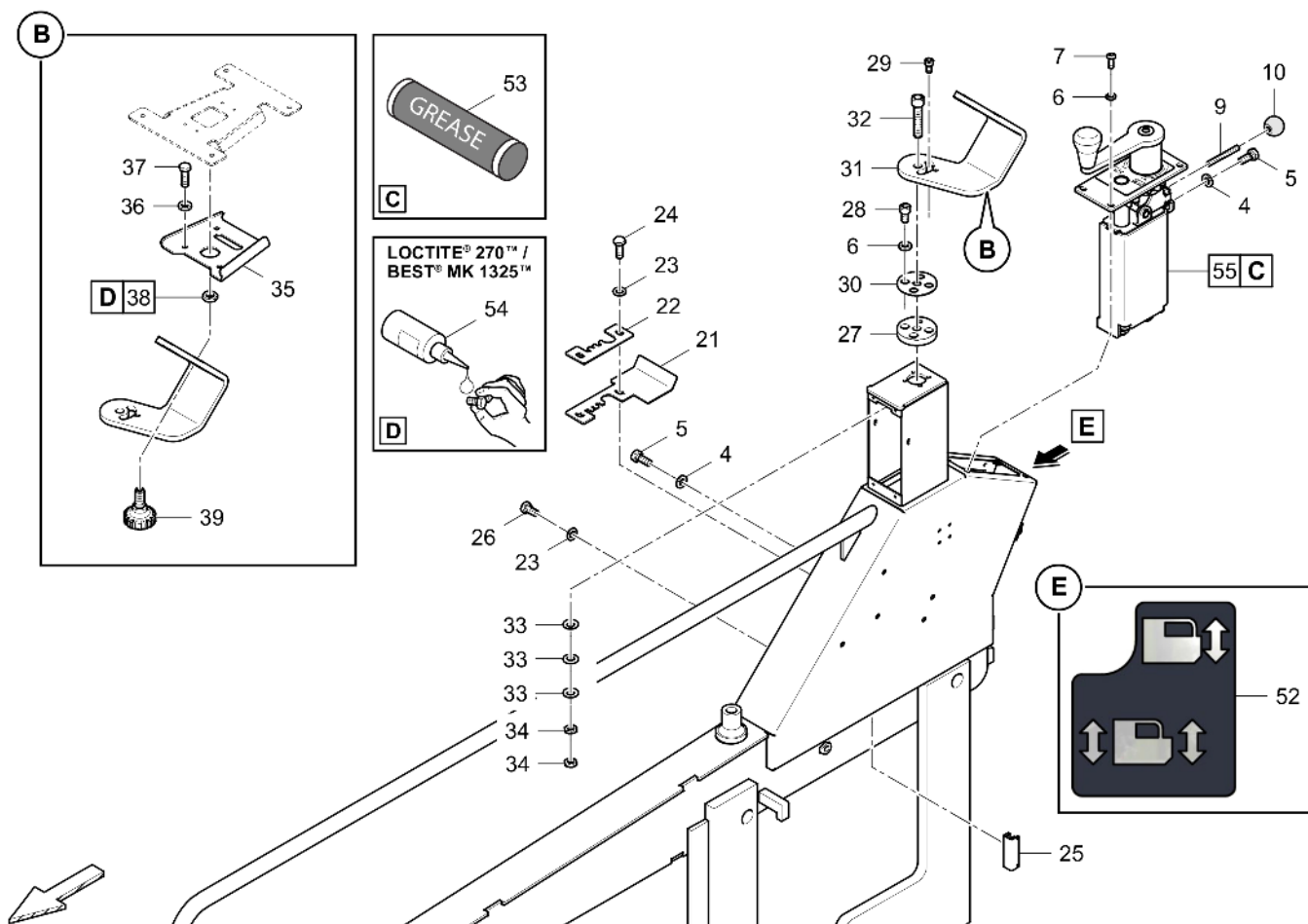
Item	Part No.	Name	Qty	L	C	SN INFO
1	4812040142	Plug	1			
2	4812075980	Socket	1			
3	4812017559	Harness W18	1			

4812041544 Central lubrication 4812041544 Central lubrication

Item	Part No.	Name	Qty	L	C	SN INFO
1	D93555011	Grease spreader	1			
2	D606000200	Retainer	1			
3	0147125303	Hex. head screw	2			
4	0333310045	Schnorr-lock washer	2			
5	0147135903	Hexagon bolt	2			
6	4749901807	Lock washer	2			
7	4812037251	Grease hose	1			
8	D606000316	Grease hose	2			
9	D706000301	Grease hose	2			
12	D93555120	Screwing	5			
13	D93555079	Screwing	4			
14	D93555205	Plug screw	4			
15	D93555003	Sealing	4			

Refer to Parts Online for the most up to date information. The printed information might be outdated.

Wed Oct 07 08:39:45 UTC 2020



Item	Part No.	Name	Qty	L	C	SN INFO
1	4812239627	End plate right	1			
2	4812060108	Side cover	1			
4	0333310050	Lock washer	2			
5	0147132303	Hexagon bolt	2			
6	0333310055	Washer	24			
7	0215000620	Hexagon socket button head screw	4			
8	0215000621	Hexagon socket button head screw	17			
9	4749901042	Stud screw	1			
10	4749900811	Ball knob	1			
11	4812014970	Pipe	3			
12	4812238564	Roller	2			
13	4812238563	Roller	4			
14	4812231167	Roller	1			
15	0333310052	Flat washer	3			
16	0147141303	Screw	3			
17	4812231374	Wire rope	1			
18	4812231370	Cable	1			

Refer to Parts Online for the most up to date information. The printed information might be outdated.

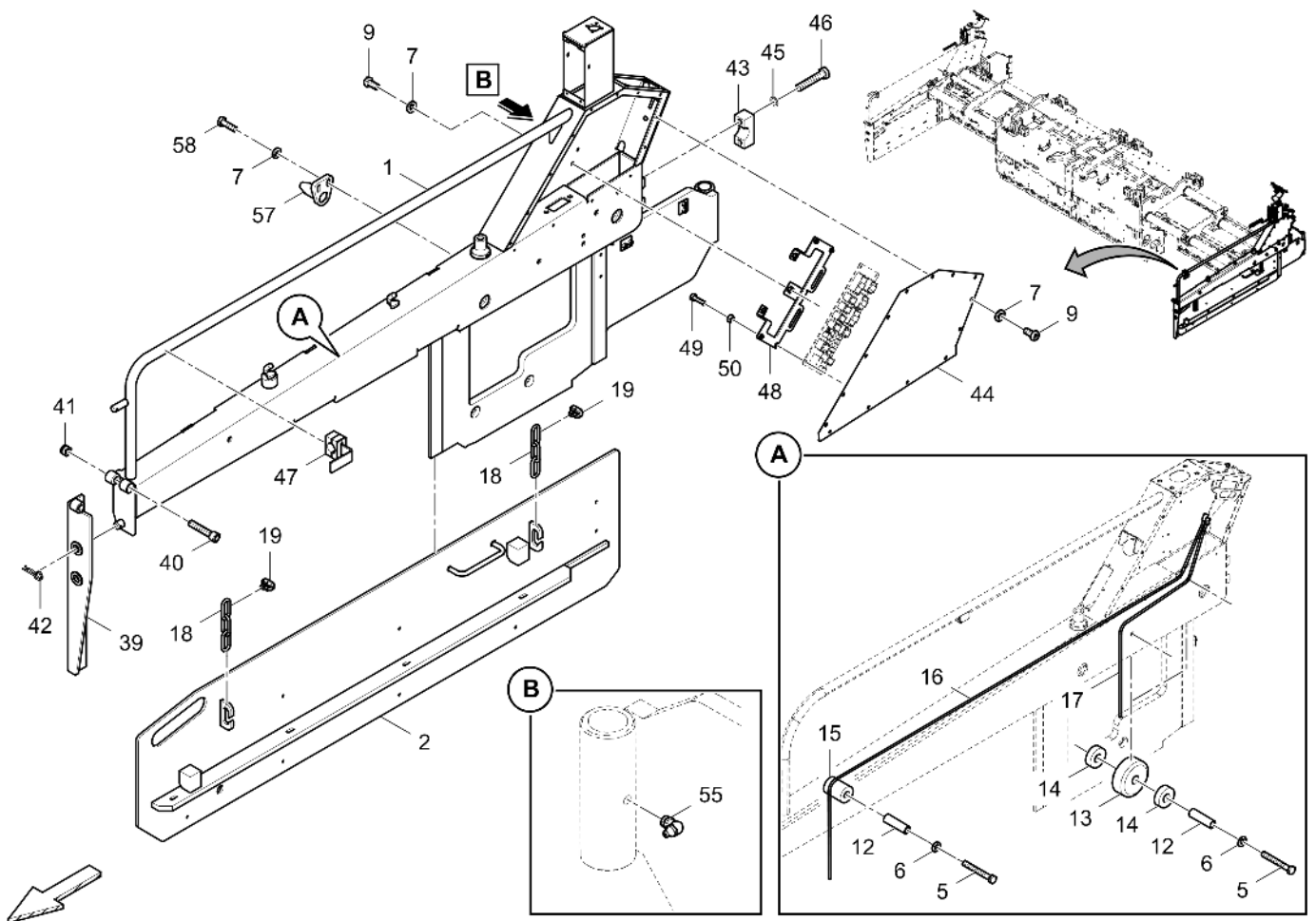
Wed Oct 07 08:39:53 UTC 2020

Referenced Pages

4812239667 End plate, cpl 576

Referenced Pages

4812061129 Spindle, l.h. 580

End plate, l.h. 4812239684 End plate, l.h.

Refer to Parts Online for the most up to date information. The printed information might be outdated.

Wed Oct 07 08:40:09 UTC 2020

Item	Part No.	Name	Qty	L	C	SN INFO
57	4812239959	Guide	1			
58	0147124703	Hex.bolt	2			
59	4812035201	Eccentric lock	1			
60	0216195773	Countersunk screw	1			
61	4812217188	Adhesive foil	1			
62	4812161897	Paver Grease / 1 cartridge	1			
63	4747400056	Thread locking, 50ml	1			
64	4812061148	Spindle, r.h.	1			

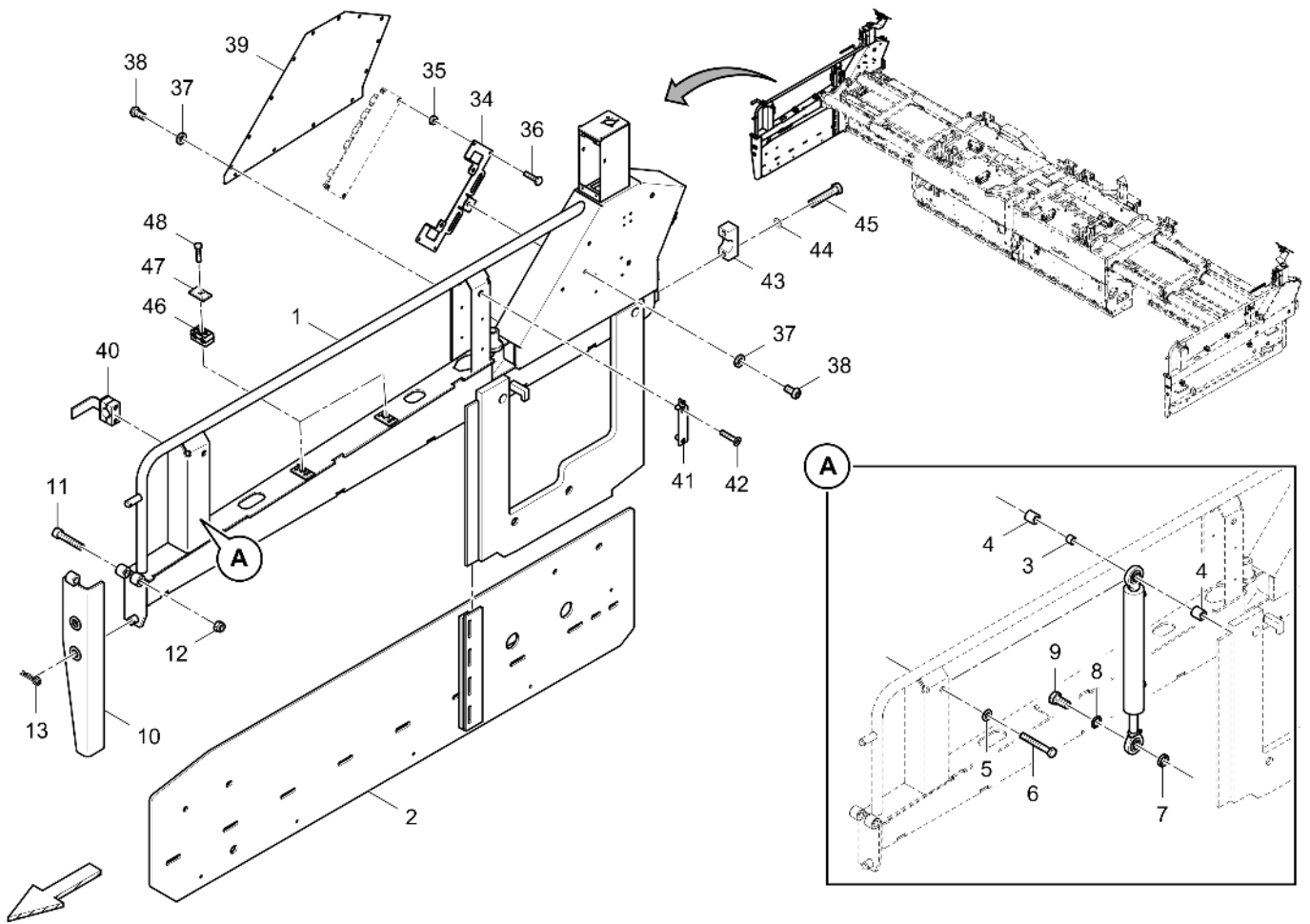
Referenced Pages

4720003740 Safety lock 582

Referenced Pages

4720003740 Safety lock 582

End plate, r.h. 4812239846 End plate, r.h.



Refer to Parts Online for the most up to date information. The printed information might be outdated.

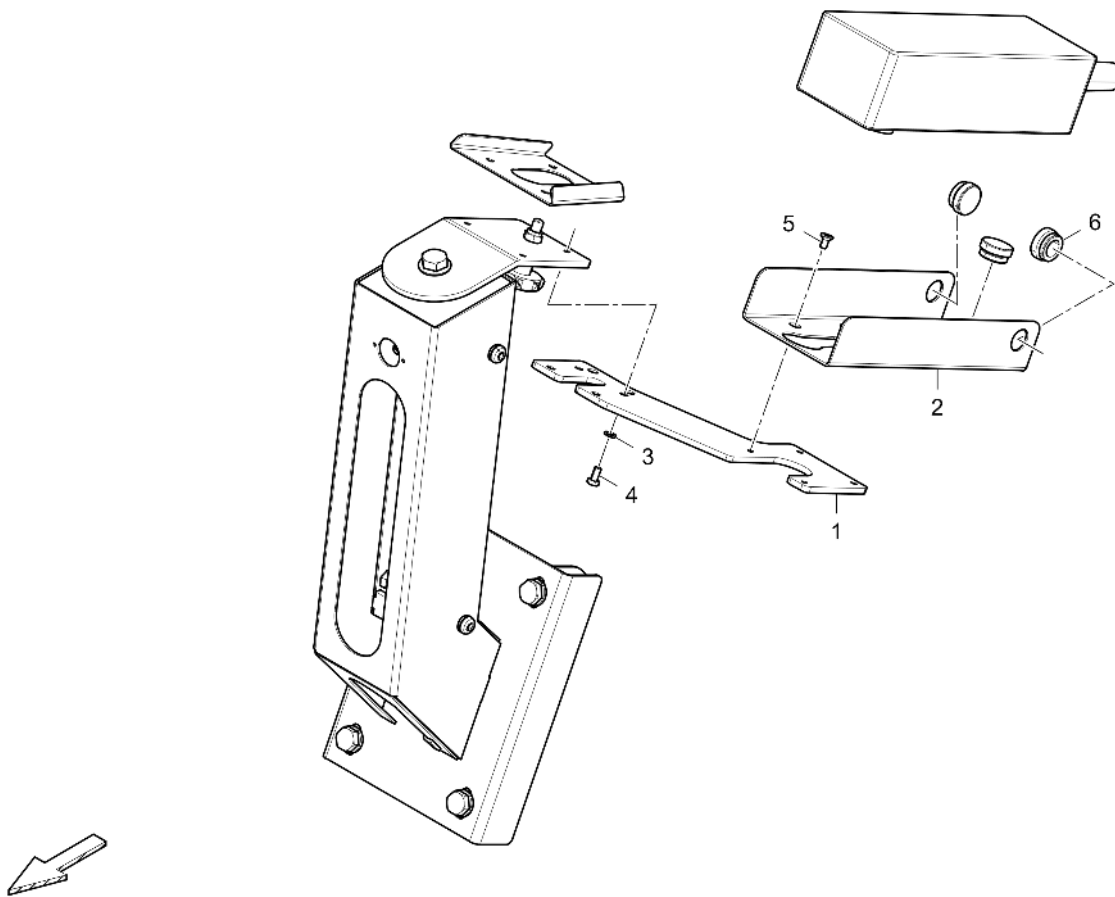
Wed Oct 07 08:40:23 UTC 2020

Referenced Pages

4812217461 Harness W6 451

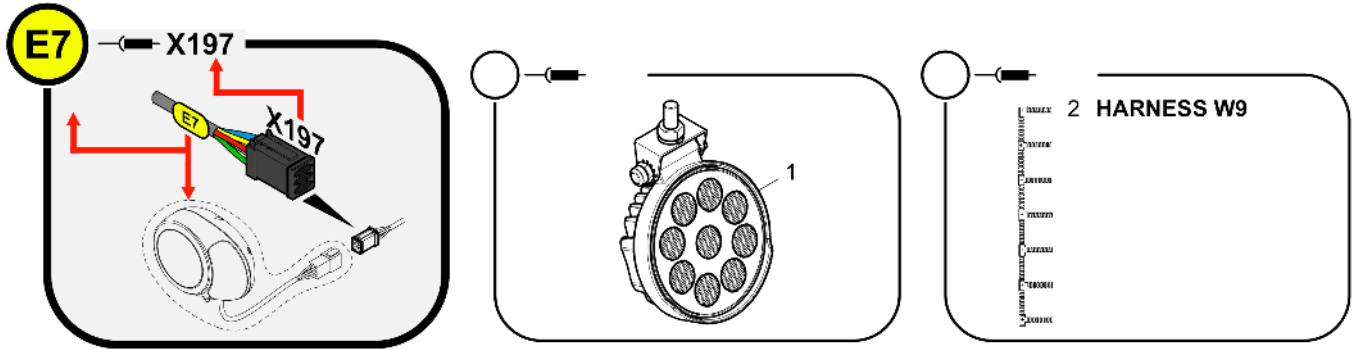
Item	Part No.	Name	Qty	L	C	SN INFO
17	4749300093	Clamp	2			
18	0211125003	Screw, M6x30, 8.8	4			
19	4747200017	Cleat x m	1			
20	4812018545	Plug	4			
21	4812018546	Plug	4			
22	4812073234	Suppression	2			
23	4812073235	Clamping plate	2			
24	0291118802	Hexagon nut	2			

	Referenced Pages	
4812217864 Harness W8		456
	Referenced Pages	
4812217238 Electric		661

Conversion kit ex. operation, r.h. 4812032141 Conversion kit ex. operation, r.h.

Item	Part No.	Name	Qty	L	C	SN INFO
1	4812032142	Adapter plate	1			
2	D614152001	Bracket for remote control	1			
3	0333317507	Schnorr-lock washer	4			
4	0147120403	Screw	4			
5	0216110046	Countersunk screw	4			
6	4749302522	Grommet	3			

4812074772 Lighting side plate 4812074772 Electric, lighting side plate



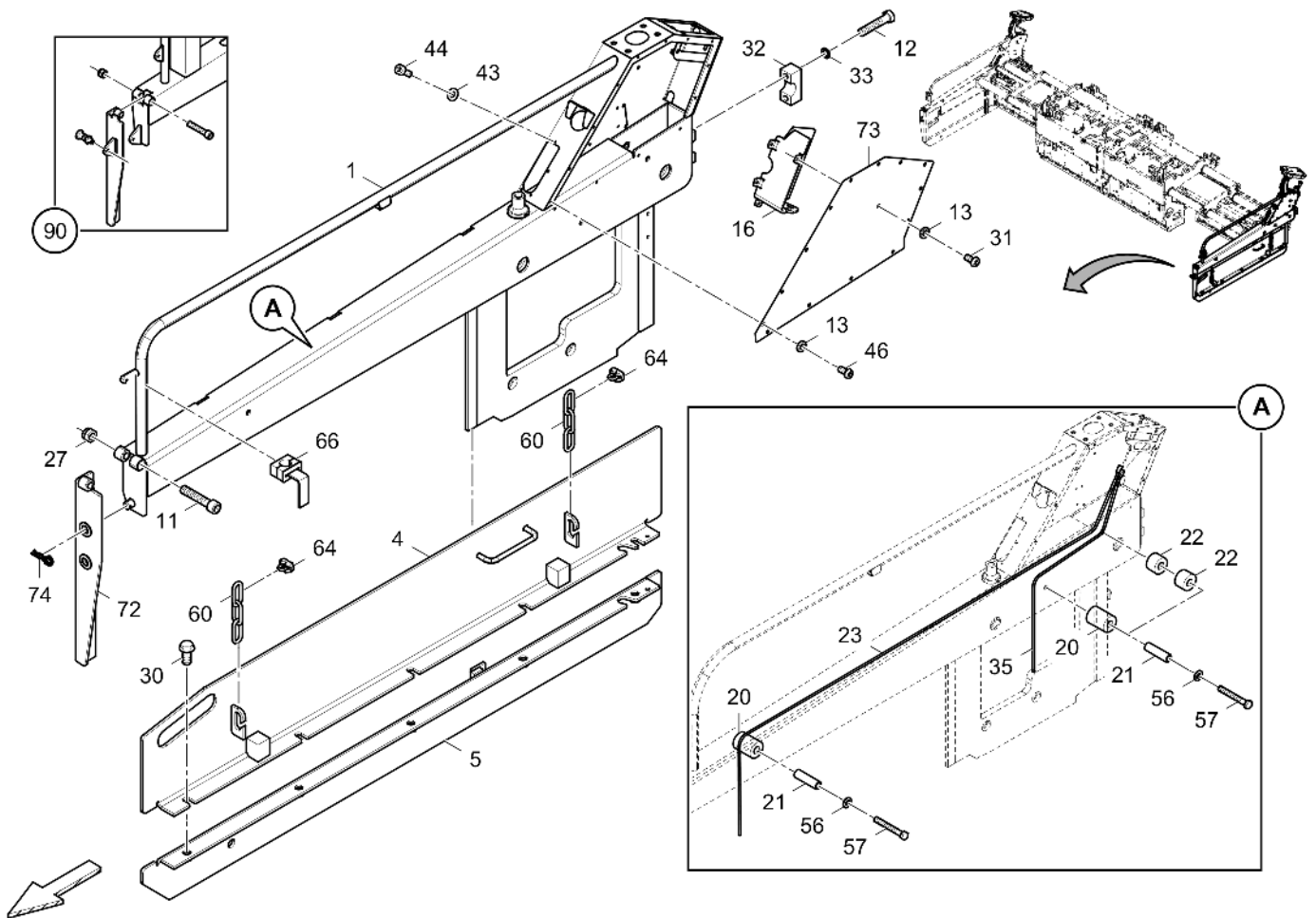
Item	Part No.	Name	Qty	L	C	SN INFO
1	4812074770	Spot light	1			
2	4812013628	Harness W9	1			

Referenced Pages

4812239844 End plate, l.h. 651

	Referenced Pages	
4812217864 Harness W8		456
	Referenced Pages	
4812217238 Electric		661

End plate, l.h. 4812231388 End plate, l.h.



Refer to Parts Online for the most up to date information. The printed information might be outdated.

Wed Oct 07 08:40:48 UTC 2020

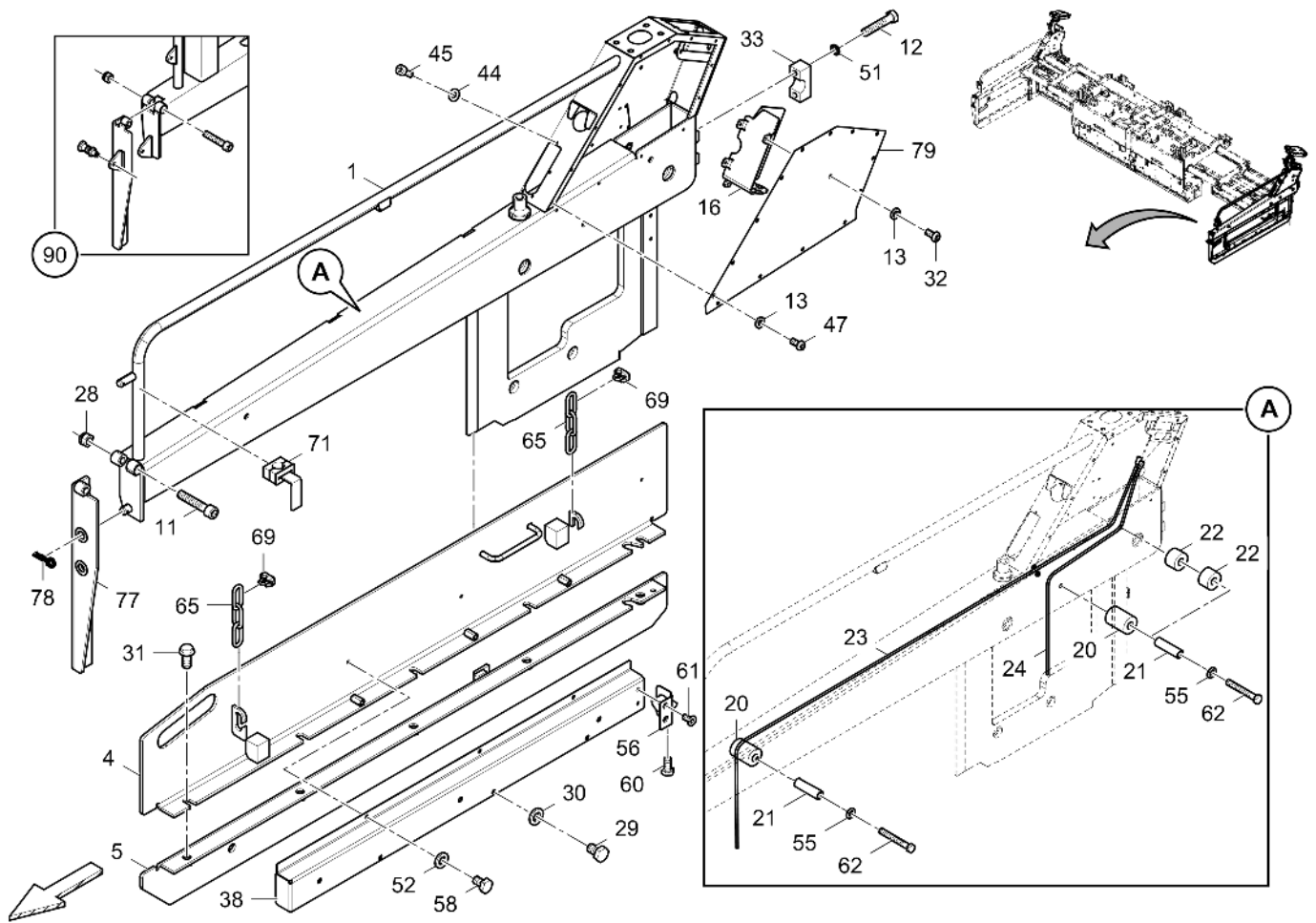
Referenced Pages

4720003740 Safety lock 582

Referenced Pages

4812234689 Hinge, l.h. 620

End plate, l.h. 4812231540 End plate, l.h.



Refer to Parts Online for the most up to date information. The printed information might be outdated.

Wed Oct 07 08:40:58 UTC 2020

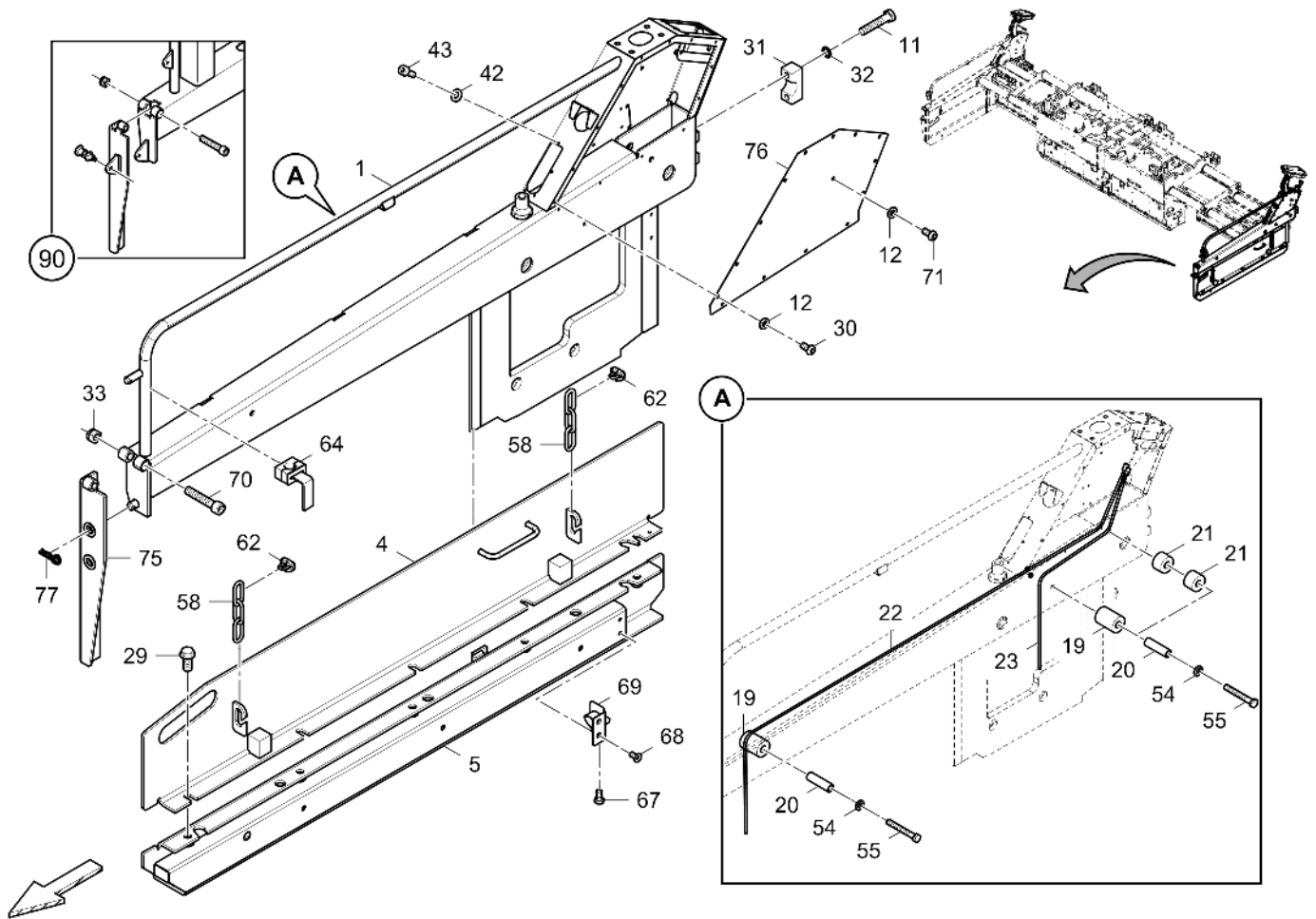
Referenced Pages

4720003740 Safety lock 582

Referenced Pages

4812201086 Kit, for the front pin 739

End plate, l.h. 4812231652 End plate, l.h.



Refer to Parts Online for the most up to date information. The printed information might be outdated.

Wed Oct 07 08:41:09 UTC 2020

Referenced Pages

4720003740 Safety lock 582

Referenced Pages

4812234689 Hinge, l.h. 620

Item	Part No.	Name	Qty	L	C	SN INFO
17	4812018546	Plug	4			
18	4749301795	Strap retainer	1			
19	0301232100	Plain washer	12			
20	0211124703	Hex sock. screw	12			
21	4749300518	Clamp	6			

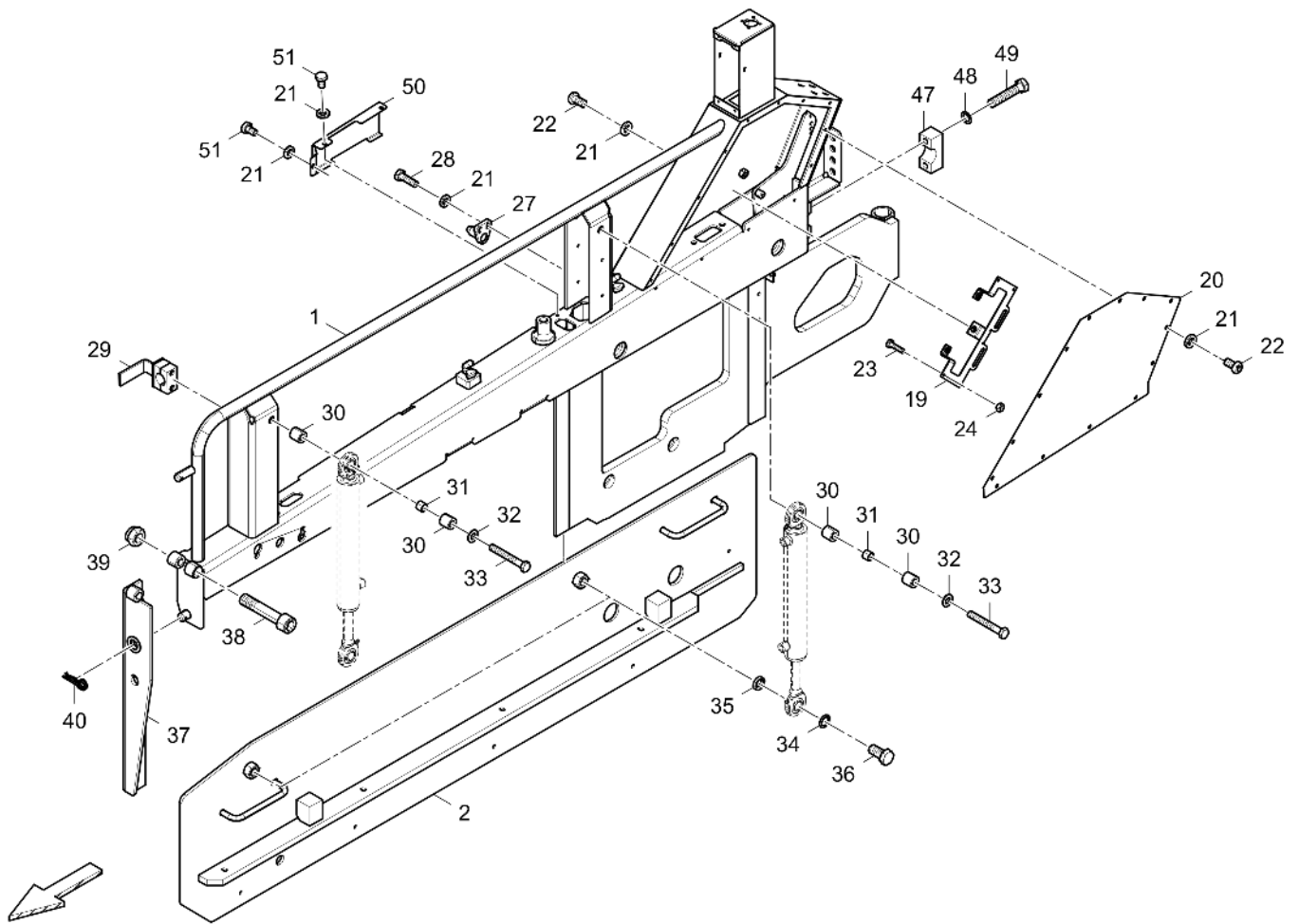
Item	Part No.	Name	Qty	L	C	SN INFO
18	4812234446	Spindle	1			
19	4812234447	Spindle	1			
20	4812231155	Spindle nut	1			
21	4812231154	Spindle nut	1			
22	0301237800	Plain washer(A) 17 x 30 x 3	4			
23	0337212100	Feather key	1			
24	4812231238	Shift dog	1			
25	D930177009	Pressure spring	1			
26	D614161400	Crank handle	1			
27	4812236172	Shim	3			
28	4812231314	Cover	1			
29	0300013040	Flat washer	1			
30	4749302381	Handle	1			
31	4812017592	Shift fork	1			
32	4812231326	Sleeve	1			
33	0147134003	Screw	1			
34	4812231165	Sleeve	1			
35	D938590011	Washer	2			
36	4812231338	Sleeve	1			
37	0333310050	Lock washer	2			
38	0266211000	Hexagon nut	3			
39	0190124150	Set screw	1			
40	5730008547	Eyebolt	1			
41	4749900811	Ball knob	1			
42	4812231374	Wire rope	1			
43	4812231370	Cable	1			
44	4812239567	Chain link	2			
45	4749302415	Rope clamp	2			
46	4812231350	Fixture	1			
47	0333310043	Schnorr-lock washer	2			
48	0147140705	Hexagon head screw	2			
49	4812231309	Control box holder	1			
50	0333310051	Lock washer	4			
51	0147136003	Screw cap	4			
52	4812232881	Cover plate	1			
53	0301231500	Plain washer(A) 4.3 x 9 x 0.8	16			
54	4812216710	Screw	16			
55	4812232926	Clamping plate	2			

Refer to Parts Online for the most up to date information. The printed information might be outdated.

Wed Oct 07 08:41:23 UTC 2020

	Referenced Pages	
4812073612 Retainer		842
	Referenced Pages	
4812073061 Harness W25.3		468

End plate, l.h. 4812063434 End plate, l.h.



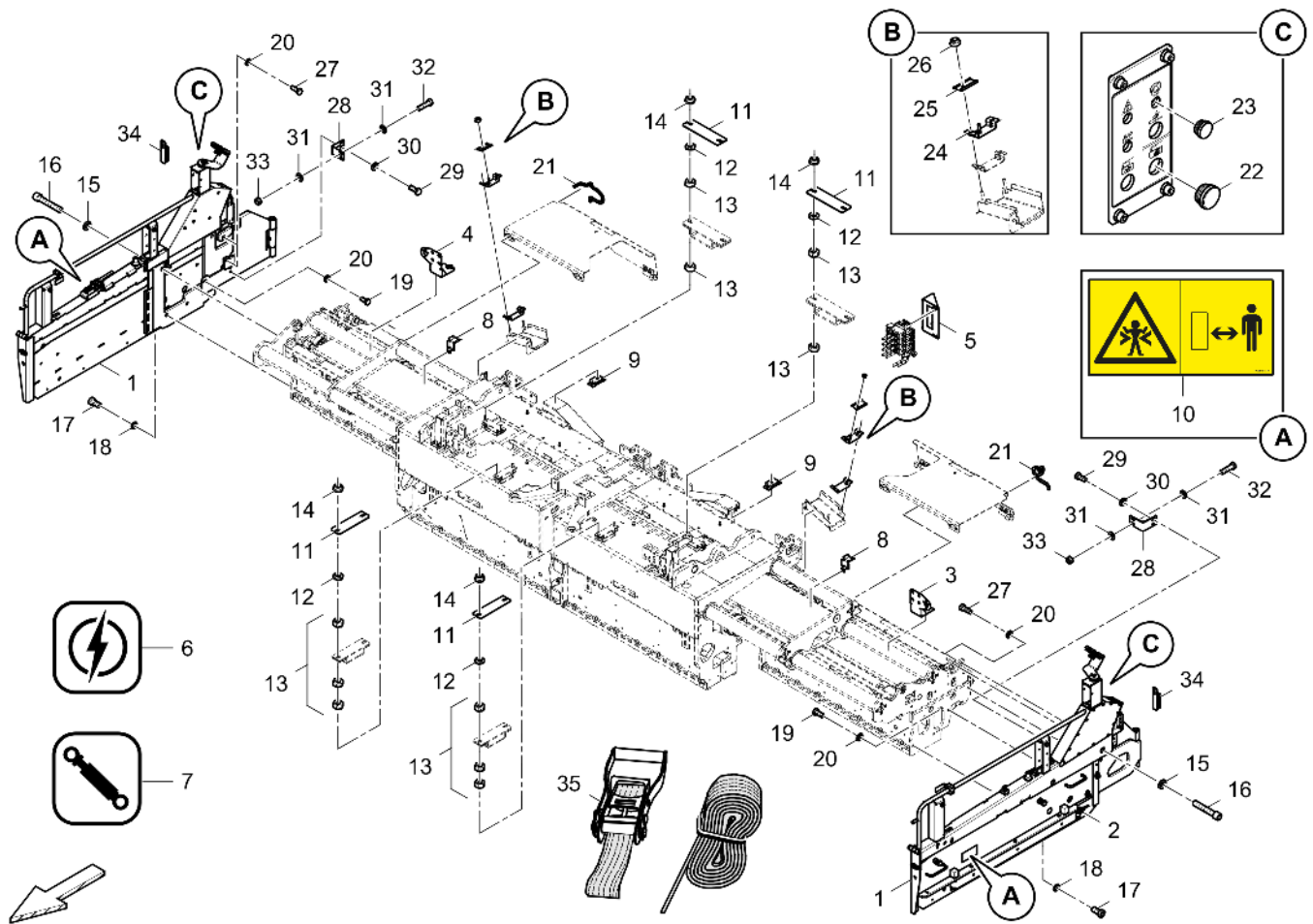
Refer to Parts Online for the most up to date information. The printed information might be outdated.

Wed Oct 07 08:41:29 UTC 2020

Referenced Pages

4812239393 Valve support 660

4812063558 Foldable hydr. end plate, el. heating, l.h. & r.h. 4812063558 Foldable hydr. end plate, el. heating, l.h. & r.h.



Item	Part No.	Name	Qty	L	C	SN INFO
1	4812063437	Foldable hydr. end plate	1			
2	4812063482	Electric, heating lower heated	1			
3	4812063871	Stiffening plate, l.h.	1			
4	4812063808	Stiffening plate, r.h.	1			
5	4812239393	Valve support	1			
6	4812075631	Electric, foldable hydr. end plate	1			
7	4812075865	Hydraulic, side shields	1			
8	4812010756	Hose clamp	2			
9	4812010929	Suppression	2			
10	D956044900	Warning sign: Danger of violent pressure	2			
11	4812033554	Suppression	4			
12	0261211100	Hex.nut-M10	8			
13	0266211100	Nut hexagon	20			
14	5541396800	Hexagon nut	8			
15	0333310053	Washer	4			

Refer to Parts Online for the most up to date information. The printed information might be outdated.

Wed Oct 07 08:41:35 UTC 2020

Referenced Pages

4812010756 Hose clamp 671

Referenced Pages

4812071225 Harness W2 405

CLICK HERE TO **DOWNLOAD** THE COMPLETE MANUAL

- Thank you very much for reading the preview of the manual.
- You can download the complete manual from: www.heydownloads.com by clicking the link below



- Please note: If there is no response to **CLICKING** the link, please download this PDF first and then click on it.

CLICK HERE TO **DOWNLOAD** THE COMPLETE MANUAL