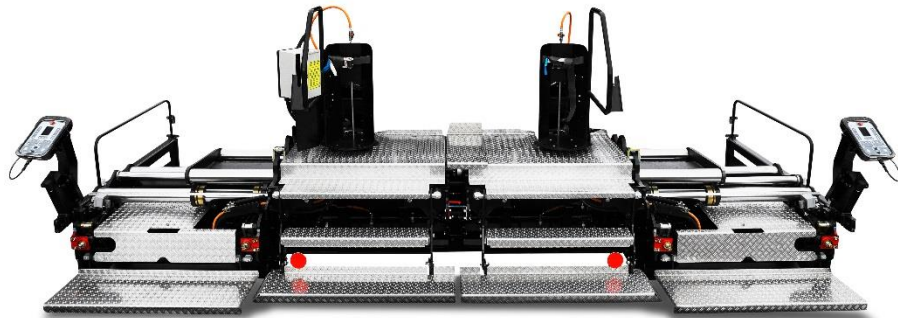


# Parts Catalogue

## V5100TV Screed

Print Date : 7th Oct 2020



© 2020 Dynapac GmbH

*Your Partner  
on the Road Ahead*

[dynapac.com](https://www.dynapac.com)

CLICK HERE TO **DOWNLOAD** THE COMPLETE MANUAL

- Thank you very much for reading the preview of the manual.
- You can download the complete manual from: [www.heydownloads.com](http://www.heydownloads.com) by clicking the link below



- Please note: If there is no response to CLICKING the link, please download this PDF first and then click on it.

CLICK HERE TO **DOWNLOAD** THE COMPLETE MANUAL

**Material duct, adj., 1000mm, l.h.**

4812027937 Material duct, adj., 1000mm, l.h. . . . . See page 131

**Material duct, adj., 1000mm, r.h.**

4812027938 Material duct, adj., 1000mm, r.h. . . . . See page 132

**Socket pin**

4812028407 Socket pin . . . . . See page 133

**Brace pipe**

4812026950 Brace pipe . . . . . See page 134

**Operation width 8.1m, gas**

4812233127 Operation width 8.1m, gas . . . . . 211

**Extension mount, AT750, gas, l.h.**

4812232986 Extension mount, AT750, gas, l.h. . . . . See page 136

**Vibration ext. part 750mm**

4812233616 Vibration ext. part 750mm . . . . . See page 139

**Gas heating, AT750, l.h.**

4812233099 Gas heating, AT750, l.h. . . . . See page 141

**Gas system ext. part 750mm**

D614215100 Gas system ext. part 750mm . . . . . See page 143

**Tamper drive ext. part 750mm**

4812028555 Tamper drive ext. part 750mm . . . . . See page 144

**Vibration ext. part 750mm**

4812218140 Vibration ext. part 750mm . . . . . See page 147

**Tamper guide plate ext. part 750mm, l.h.**

4812028745 Tamper guide plate ext. part 750mm, l.h. . . . . See page 149

**Footboard**

4812075065 Footboard . . . . . See page 150

**Footboard**

4812075066 Footboard . . . . . See page 151

**Protecting hood**

4812232538 Protecting hood . . . . . See page 152

**Adjusting screw**

D614134600 Adjusting screw . . . . . See page 74

**Extension mount, AT750, gas, r.h.**

4812232987 Extension mount, AT750, gas, r.h. . . . . See page 154

**Vibration ext. part 750mm**

4812233616 Vibration ext. part 750mm . . . . . See page 139

**Gas heating, AT750, r.h.**

4812233100 Gas heating, AT750, r.h. . . . . See page 158

**Gas system ext. part 750mm**

D614215100 Gas system ext. part 750mm . . . . . See page 143

**Tamper drive ext. part 750mm**

4812028555 Tamper drive ext. part 750mm . . . . . See page 144

4812238571 End plate, r.h. . . . . See page 477

**Safety lock**

4720003740 Safety lock . . . . . See page 476

**End plate, l.h.**

4812238570 End plate, l.h. . . . . See page 472

**Safety lock**

4720003740 Safety lock . . . . . See page 476

**Gas upper heating**

4812238684 Gas upper heating . . . . . 486

**Injector burner**

D614166302 Injector burner . . . . . 489

**Gas heating side shield**

4812018851 Gas heating side plate . . . . . 490

**Harness**

4812018676 Harness W15.5 . . . . . See page 438

4812015919 Harness W15.6 . . . . . See page 376

4812018677 Harness W15.7 . . . . . See page 389

4812018684 Harness W16.5 . . . . . See page 445

4812015927 Harness W16.6 . . . . . See page 379

4812018685 Harness W16.7 . . . . . See page 446

**Gas Lower Heating, l.h. & r.h.**

4812238681 Gas Lower Heating, l.h. & r.h. . . . . 492

**End plate, l.h. & r.h.**

4812238583 End plate, l.h. & r.h. . . . . See page 471

**End plate, r.h.**

4812238571 End plate, r.h. . . . . See page 477

**Safety lock**

4720003740 Safety lock . . . . . See page 476

**End plate, l.h.**

4812238570 End plate, l.h. . . . . See page 472

**Safety lock**

4720003740 Safety lock . . . . . See page 476

**Gas lower heating**

4812238683 Gas lower heating . . . . . 496

**Injector burner**

D614166302 Injector burner . . . . . See page 489

**Gas heating side shield**

4812018851 Gas heating side plate . . . . . See page 490

**Harness**

4812018676 Harness W15.5 . . . . . See page 438

4812015919 Harness W15.6 . . . . . See page 376

4812018677 Harness W15.7 . . . . . See page 389

4812018684 Harness W16.5 . . . . . See page 445

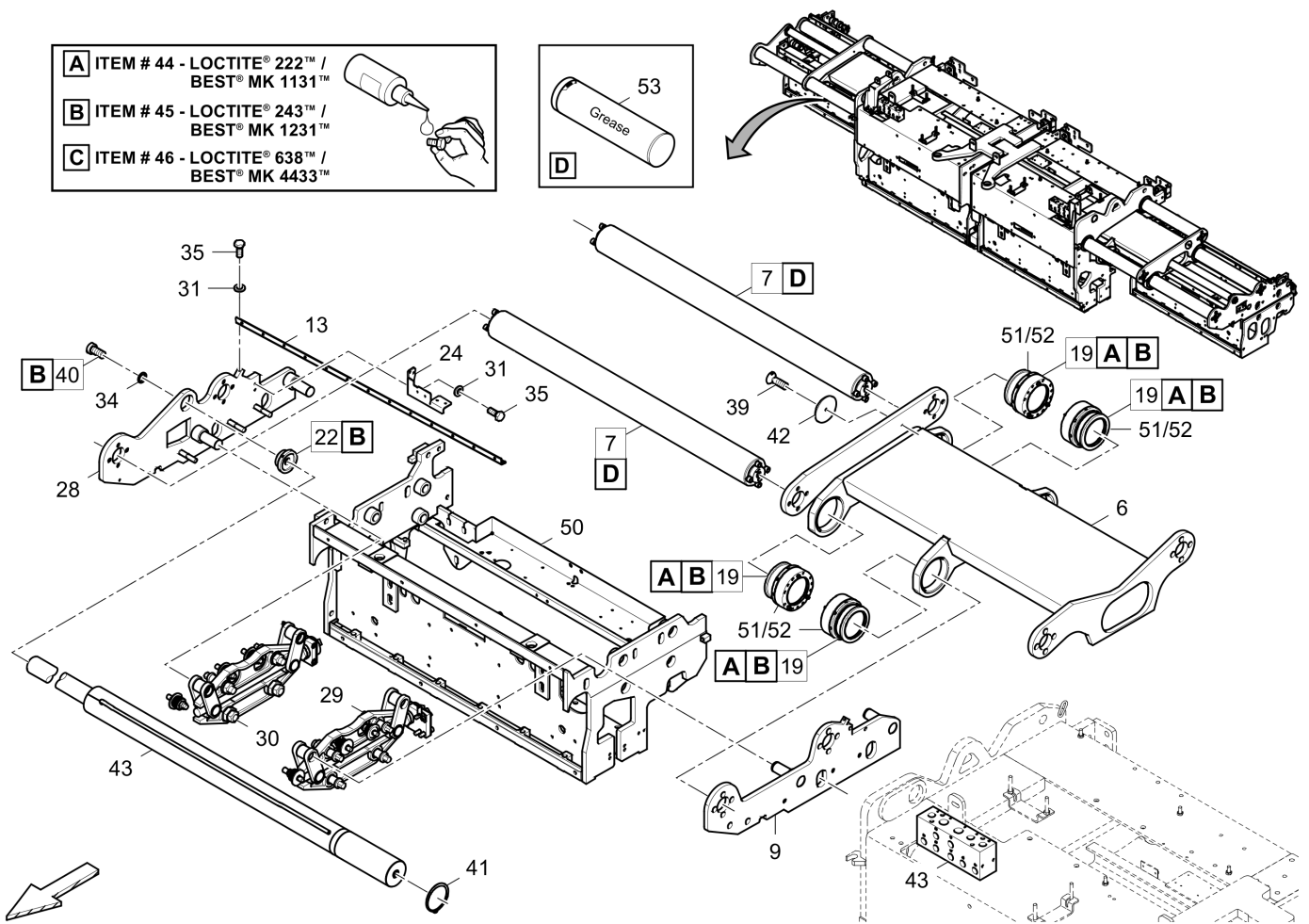
4812015927 Harness W16.6 . . . . . See page 379

4812018685 Harness W16.7 . . . . . See page 446

**End plate heating with skid, l.h. & r.h.**



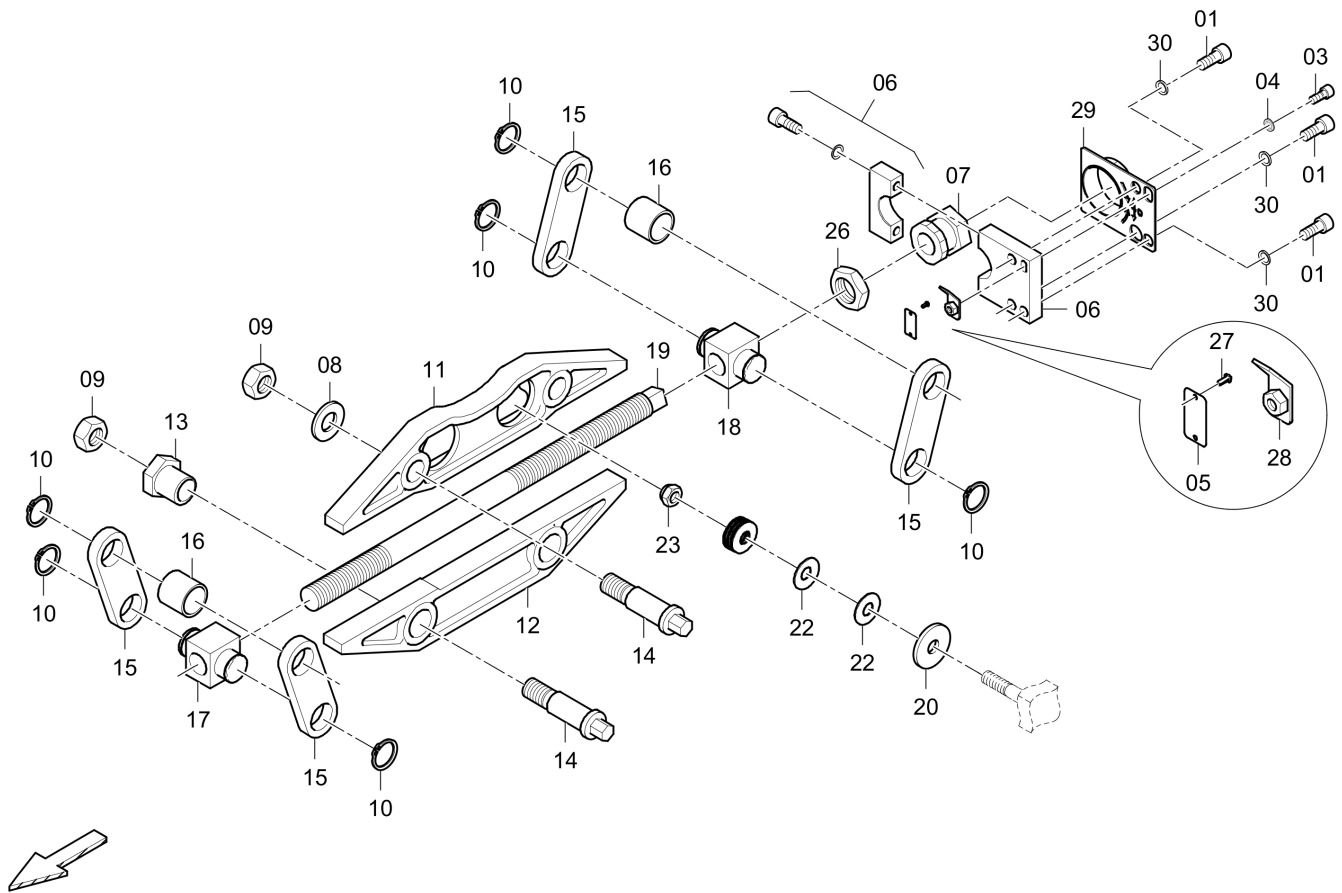
Basic screed - from S/N 3102043,2056,2061 ff. 4812016321A Basic screed



Refer to Parts Online for the most up to date information. The printed information might be outdated.

Wed Oct 07 08:20:08 UTC 2020

## Vertical adjustment, l.h. D614014900 Vertical adjustment, l.h.



Item	Part No.	Name	Qty	L	C	SN INFO
01	0211140403	Hex. socket head capscrew	3			
03	0211132603	Hex. sock. screw	1			
04	4749901806	Washer	1			
05	4738000539	Scale	1			
06	4720003559	Support	1			
06.1	4730008791	Support	1			
06.2	4730008792	Support	1			
06.3	4700508053	Hexagon socket head cap screw M	2			
06.4	4749900025	Shake-proof washer	2			
07	4730008793	Adjusting nut	1			
08	0300027469	Washer	2			
09	0261109978	Hexagon nut	4			
10	0335113600	Snap ring	6			
11	4730008789	Guide rail, top	1			
12	4730008794	Guide rail, bottom	1			
13	4730008795	Eccentric bushing	2			

Refer to Parts Online for the most up to date information. The printed information might be outdated.

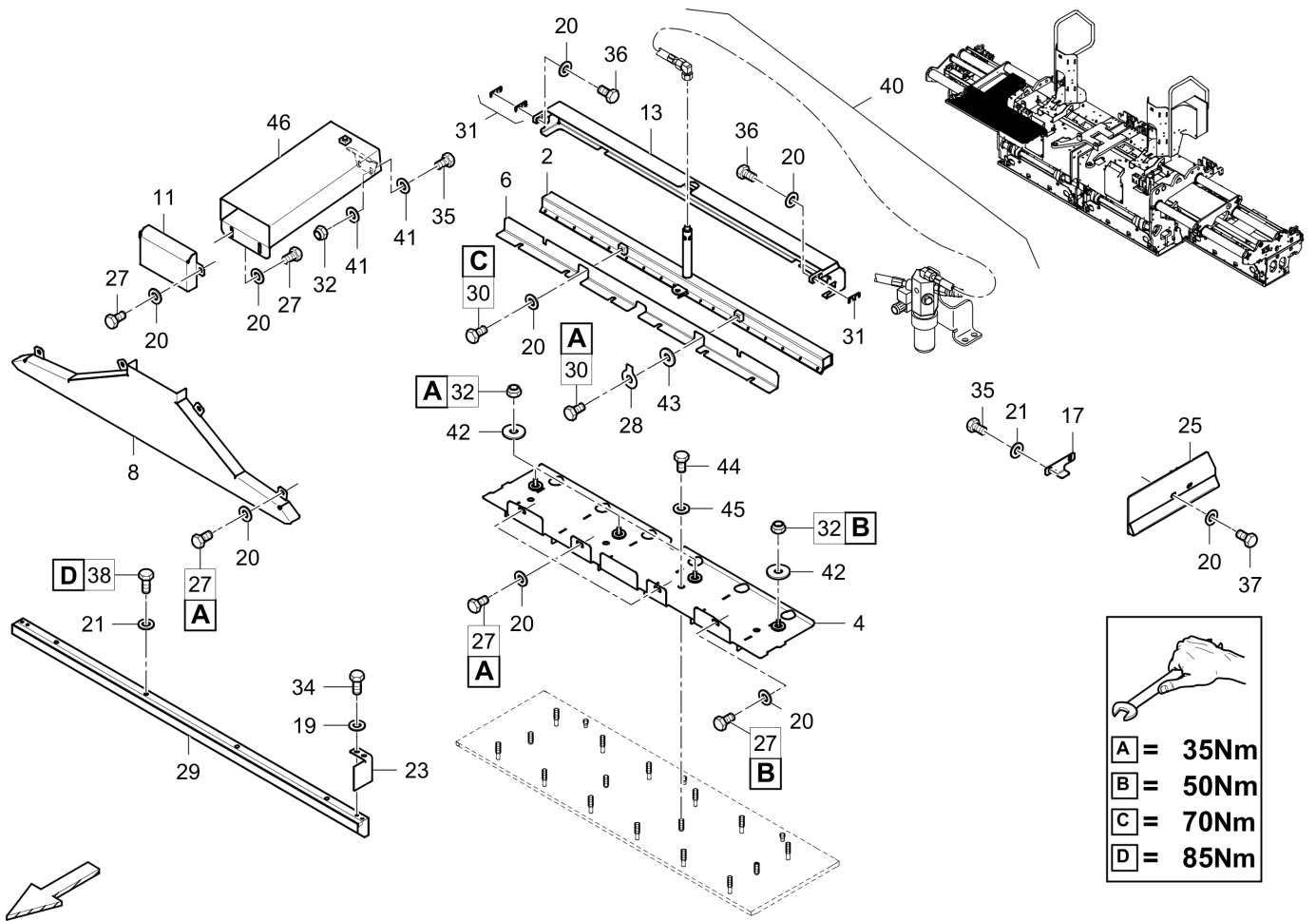
Wed Oct 07 08:20:14 UTC 2020

Item	Part No.	Name	Qty	L	C	SN INFO
18	4812037344	Bushing	2			
19	4812037828	Retainer	1			
20	4812037832	Retainer	1			
21	4812044786	Guide unit	16			
22	4812230860	Crosshead, l.h.	2			
23	4812230861	Crosshead, r.h.	2			
24	4730014424	Adjustment nut	2			
25	D614010002	Joint rod	1			
28	D614012700	Guide cylinder	4			
29	D614014100	Outer shield	1			
30	D614014200	Outer shield	1			
31	D614014900	Vertical adjustment, l.h.	2			
32	D614015000	Vertical adjustment, r.h.	2			
33	0333310050	Lock washer	10			
34	0333310051	Lock washer	9			
35	0333310049	Lock washer	8			
36	0333310046	Schnorr-lock washer	2			
37	0147132303	Hexagon bolt	10			
38	0147136003	Screw cap	5			
39	0147136203	Hex.bolt M10x25	4			
40	0147147703	Hexagon bolt M16x40	8			
41	0162110316	Countersunk screw	2			
42	0215001083	Hexagon socket head cap screw	2			
43	D936006179	Circlip	4			
44	D977860101	Reflector	2			
45	4812033315	Hydraulic diagram	1			
46	4747400037	Threadlocking	1			
47	4747400034	Thread locking, 250ml	1			
48	4747400058	Threadlocking	1			
49	4812161899	Dynapac Auger Grease 0.7 kg	1			
50	4812063770	Washer	4			
51	4812063789	Washer	2			
52	4747400056	Thread locking, 50ml	1			
53	4812077055	Holding device, l.h.	1			
54	4812077077	Holding device, l.h.	1			
55	4812077074	Holding device, r.h.	1			
56	4812077087	Holding device, r.h.	1			
57	0147124403	Screw	4			

Refer to Parts Online for the most up to date information. The printed information might be outdated.

Wed Oct 07 08:20:18 UTC 2020

**Gas heating 4812016374 Gas heating**



Refer to Parts Online for the most up to date information. The printed information might be outdated.

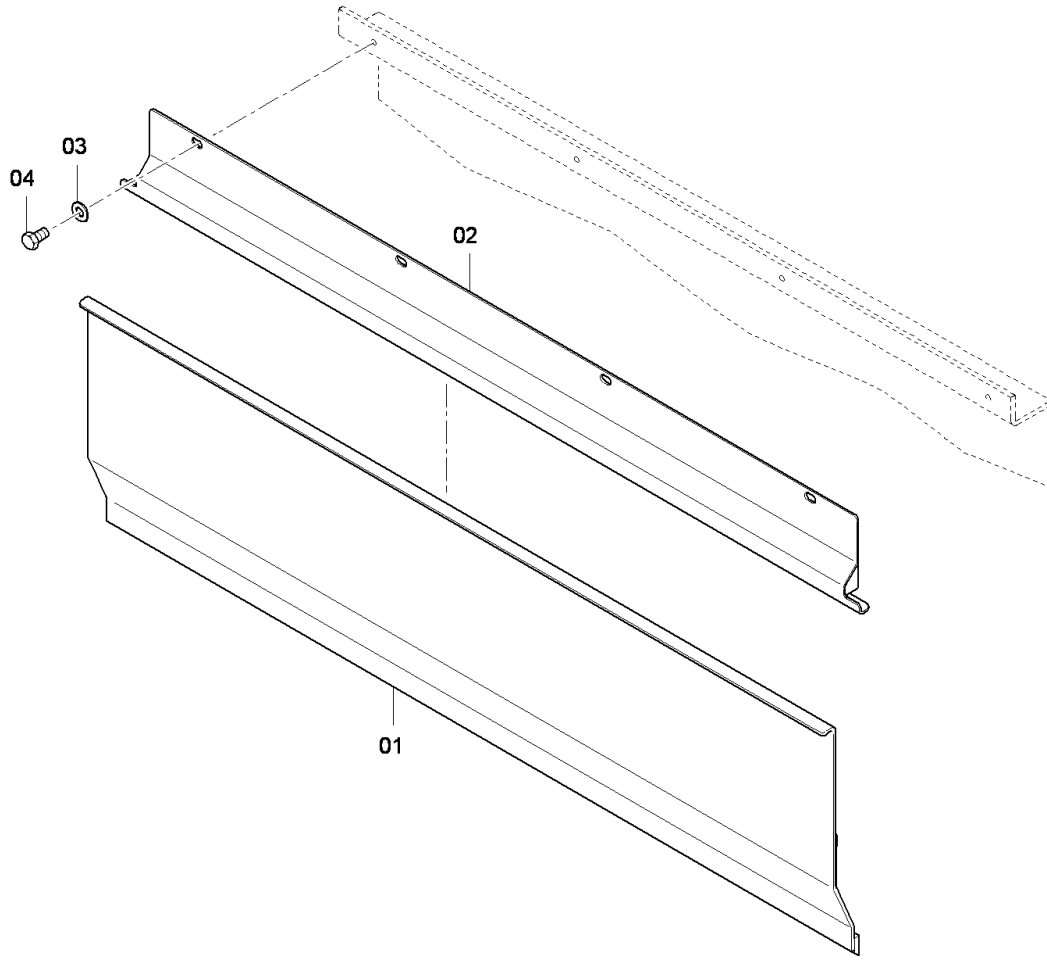
Wed Oct 07 08:20:19 UTC 2020

Item	Part No.	Name	Qty	L	C	SN INFO
16.2	4749302332	Pressure gauge	1			
17	4749200065	Hose break protection	2			
20	D953509247	Shut off valve	2			
21	4749240072	Hose	2			
22	D614020101	Pipeline	2			
23	D961910008	Cross union	2			
24	4749241233	Hose	2			
25	4749241249	Hose	2			
26	4749240594	Hose	2			
27	4749241250	Hose	1			
28	4749240740	Hose	2			
29	D961917006	Elbow socket	4			
30	4749302034	Gas filter	2			
30.1	4749302108	Filter insert	1			
31	4749302244	Adapter	2			
32	4749100822	Solenoid valve	2			
33	4730010811	Screwing	2			
34	4812011320	Coupling	2			
37	D963365025	Solenoid valve	2			
38	4749300515	Clamp	2			
39	0211125403	Screw	4			
40	0301232100	Plain washer	4			
41	4749220482	Stud	2			
42	4749220479	Stud	2			
43	4730011597	Primary air throttle	4			
44	4749301795	Strap retainer	2			
45	D614014501	Rubber	2			
46	0129327071	Blind rivet	8			
47	0211125003	Screw, M6x30, 8.8	8			
48	4749300187	Clamp	6			
49	4730014627	Holder	2			
50	0291118507	Nut	4			
51	0215001097	Screw	4			
52	4749300125	Cover plate	2			
53	4749300349	Weld-on plate	2			
54	0211125103	Hex sock. screw	4			
55	0333310045	Schnorr-lock washer	4			
56	4749302243	Adapter	2			

Refer to Parts Online for the most up to date information. The printed information might be outdated.

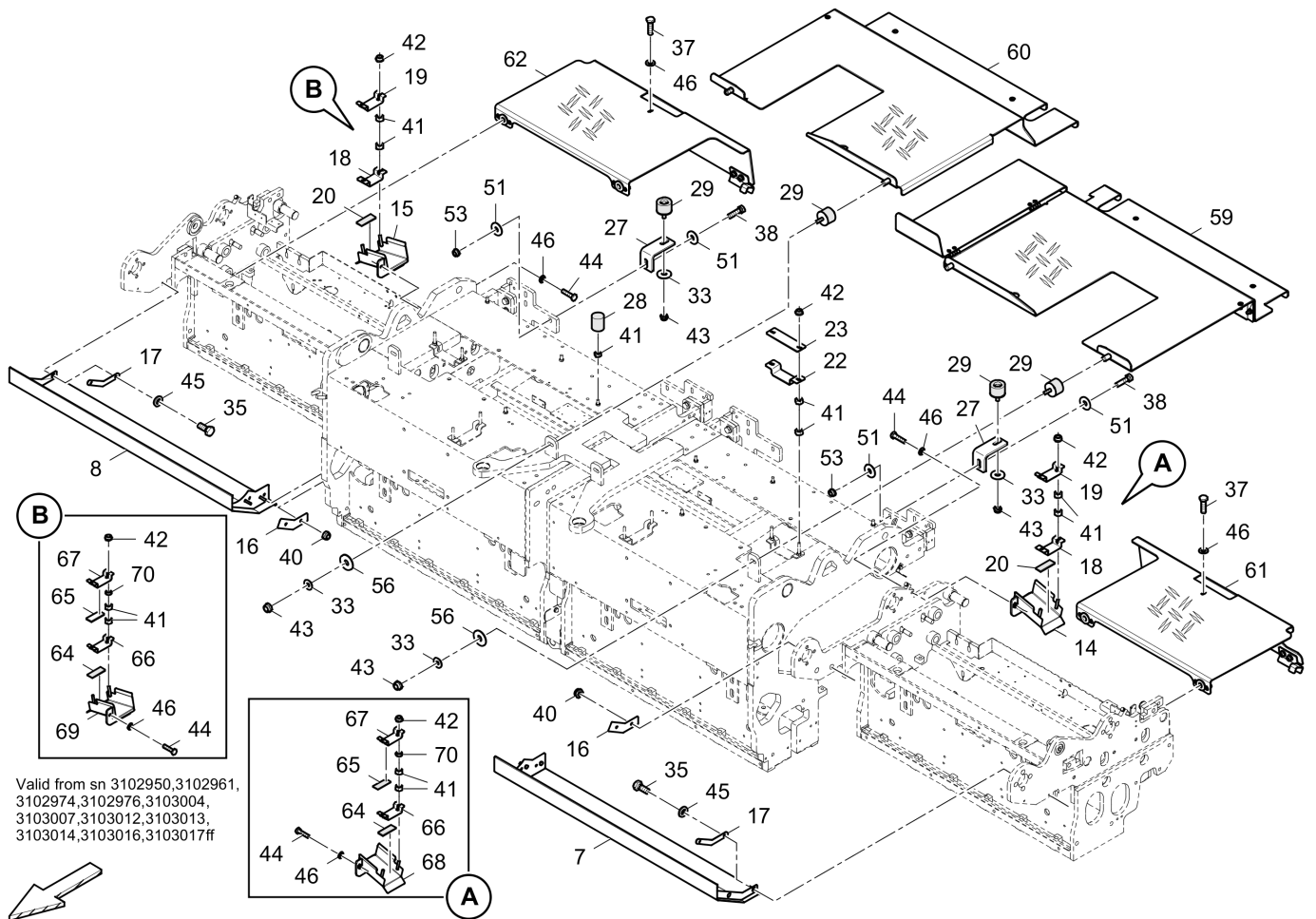
Wed Oct 07 08:20:23 UTC 2020

Item	Part No.	Name	Qty	L	C	SN INFO
53	0266211000	Hexagon nut	1			
54	4812005400	Motor	2			
54.1	4812009251	Seal kit	1			
55	4812011624	Drive shaft	1			
57	4747400034	Thread locking, 250ml	1			

**Tamper guide plate ext. part, VT I.h. 4812028033 Tamper guide plate, VT I.h.**


Item	Part No.	Name	Qty	L	C	SN INFO
1	4812028034	Tamper guide plate	1			
2	4812028057	Guide rail	1			
3	D939776115	Lock washer	4			
4	0147135903	Hexagon bolt	4			

Protection and trim plates, valid from s/n 3102913, 2925, ff 4812239212 Protection and trim plates



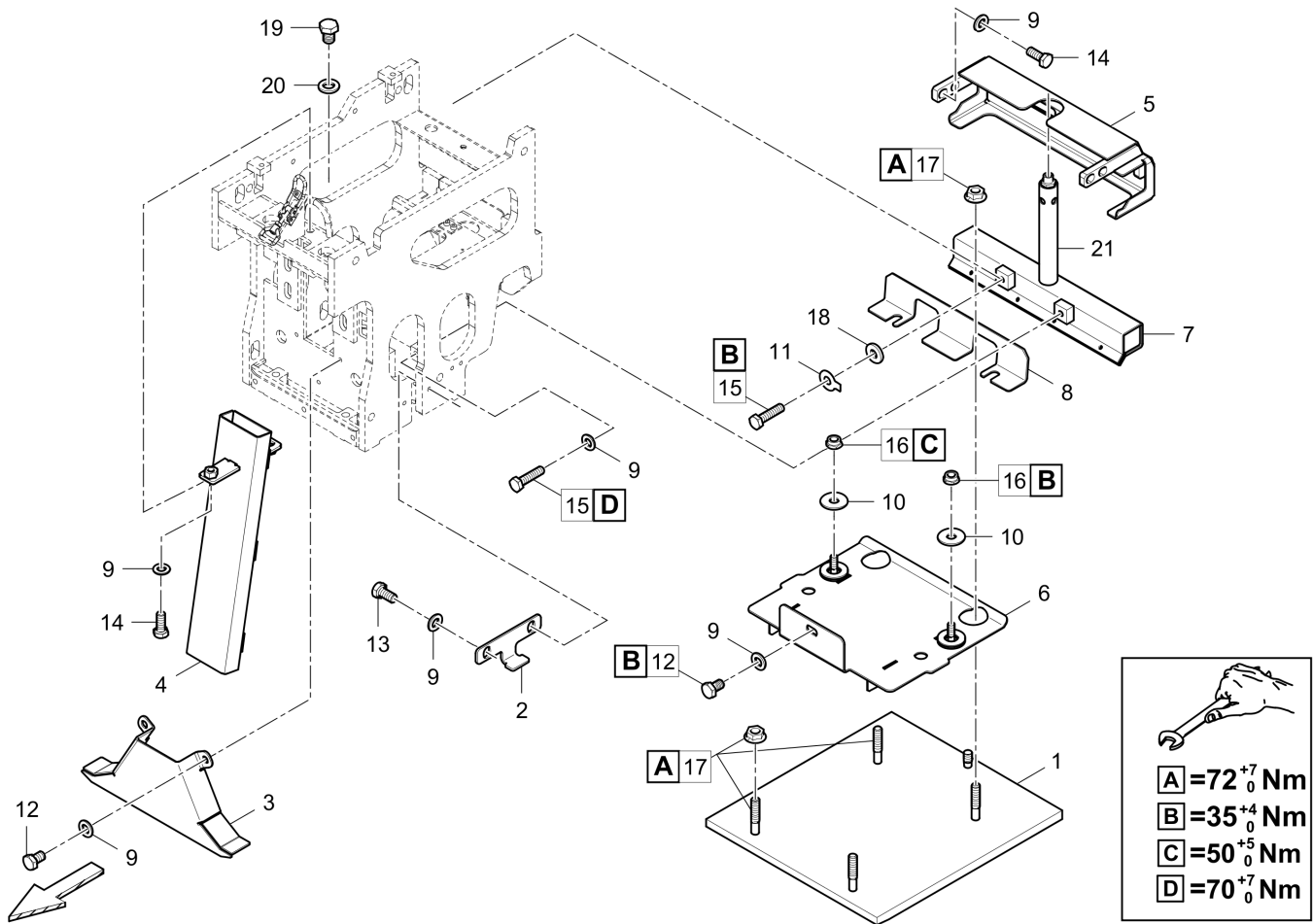
Valid from sn 3102950,3102961,  
3102974,3102976,3103004,  
3103007,3103012,3103013,  
3103014,3103016,3103017ff

---

Referenced Pages

D614134600 Adjusting screw ..... 74

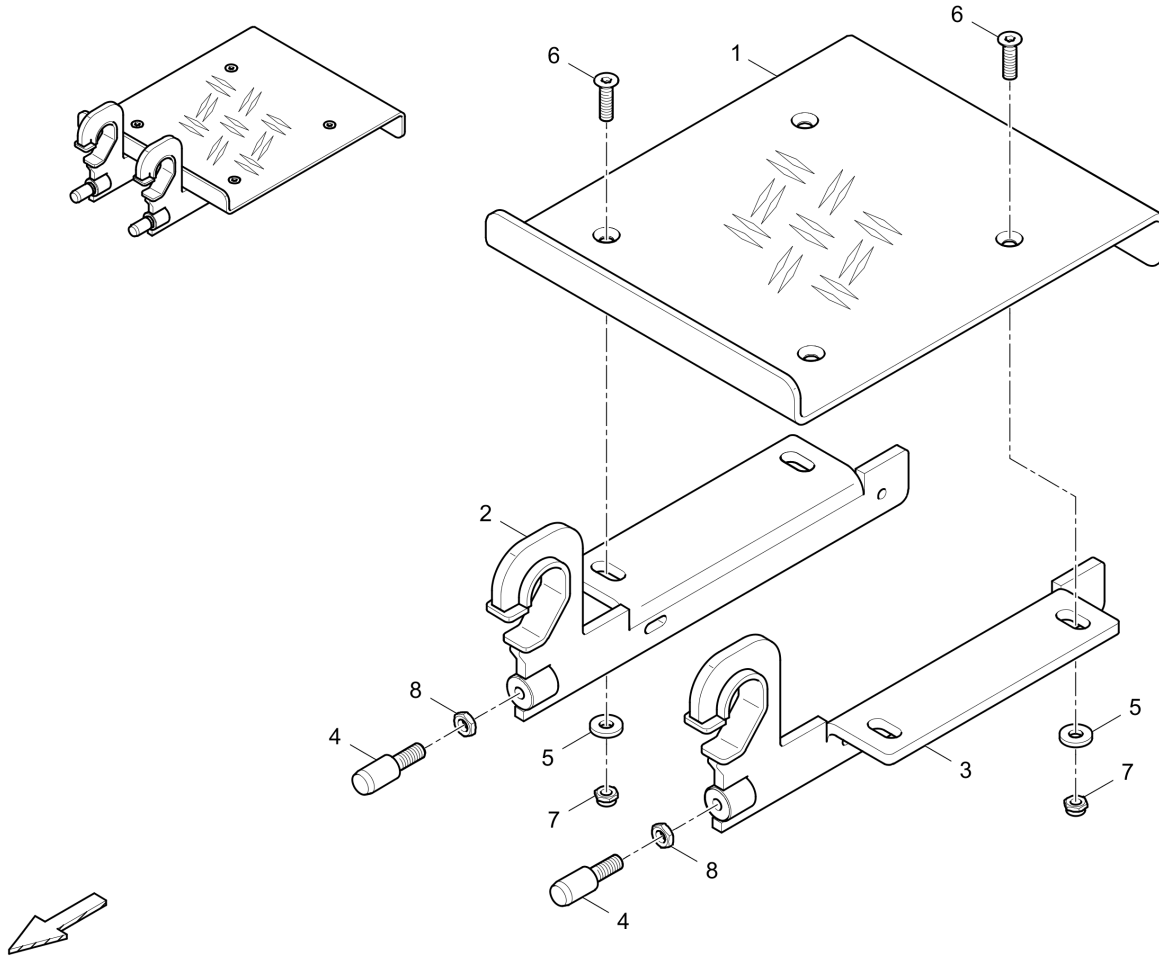
## Gas heating, AT350, I.h. 4812232530 Gas heating, AT350, I.h.



Item	Part No.	Name	Qty	L	C	SN INFO
1	4812232156	Screed plate	1			
2	4812026550	Sealing	1			
3	D614204100	Exhaust duct	1			
4	4812029794	Exhaust duct	1			
5	4812029785	Protection hood	1			
6	4812029791	Flame baffle	1			
7	4812029783	Injector burner	1			
7.1	D930177533	Nozzle	1			
8	4812029788	Shield	1			
9	0333310051	Lock washer	11			
10	0300013038	Flat washer	2			
11	D936780009	Washer	1			
12	0147135903	Hexagon bolt	3			
13	0147136003	Screw cap	2			
14	0147136203	Hex.bolt M10x25	5			
15	0147136503	Hex.bolt M10x40	2			

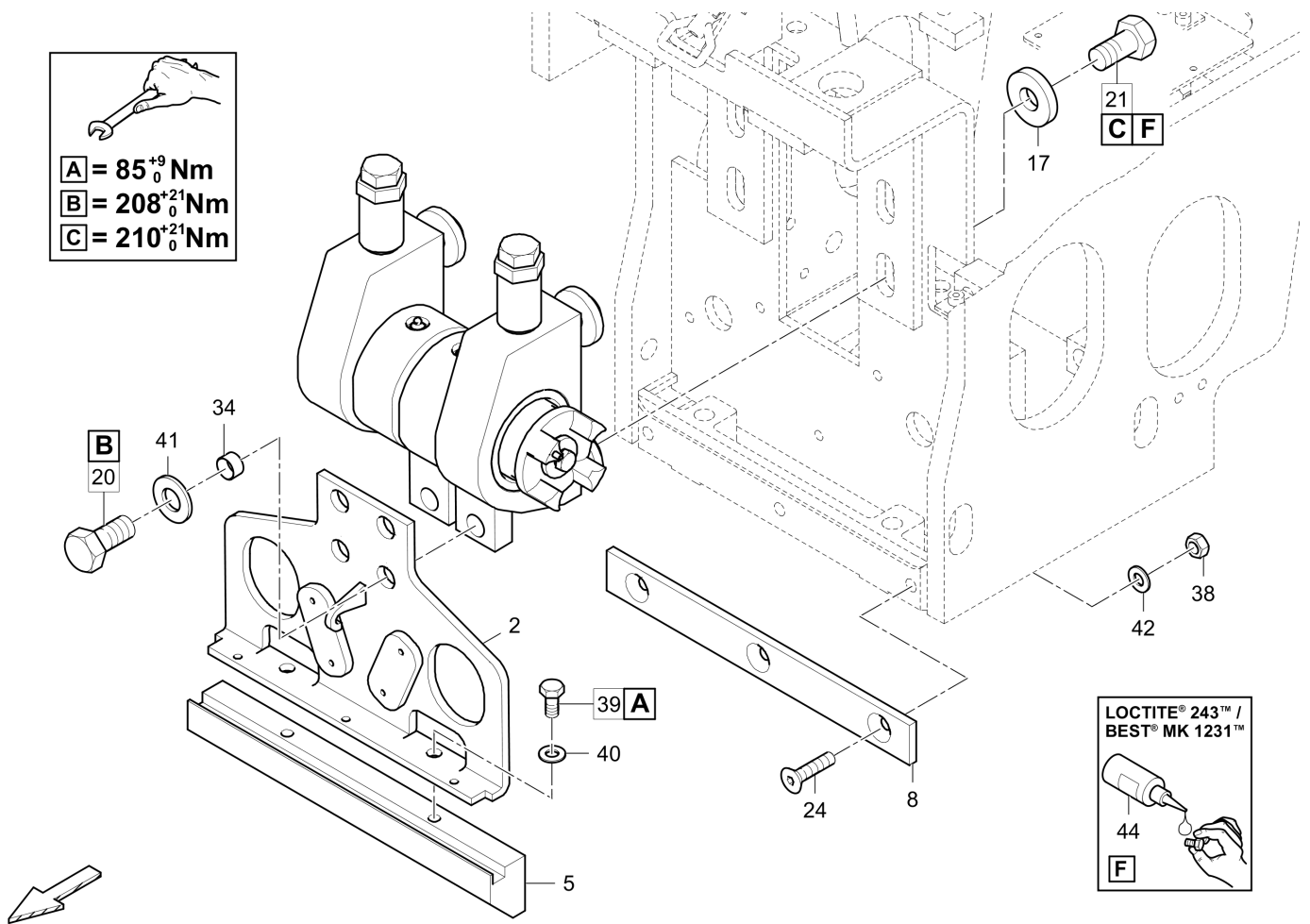
Refer to Parts Online for the most up to date information. The printed information might be outdated.

Wed Oct 07 08:20:38 UTC 2020

**Footboard 4812075064 Footboard**

Item	Part No.	Name	Qty	L	C	SN INFO
1	D614208101	Step plate	1			
2	4812075091	Arm	1			
3	4812075094	Arm	1			
4	D606080104	Pivot	2			
5	D939130012	Washer	4			
6	3370044501	Countersunk screw	4			
7	5541396800	Hexagon nut	4			
8	0261109157	Hexagon nut	2			

**Tamper drive ext. part 350mm, r.h. 4812029768 Tamper drive ext. part 350mm, r.h.**

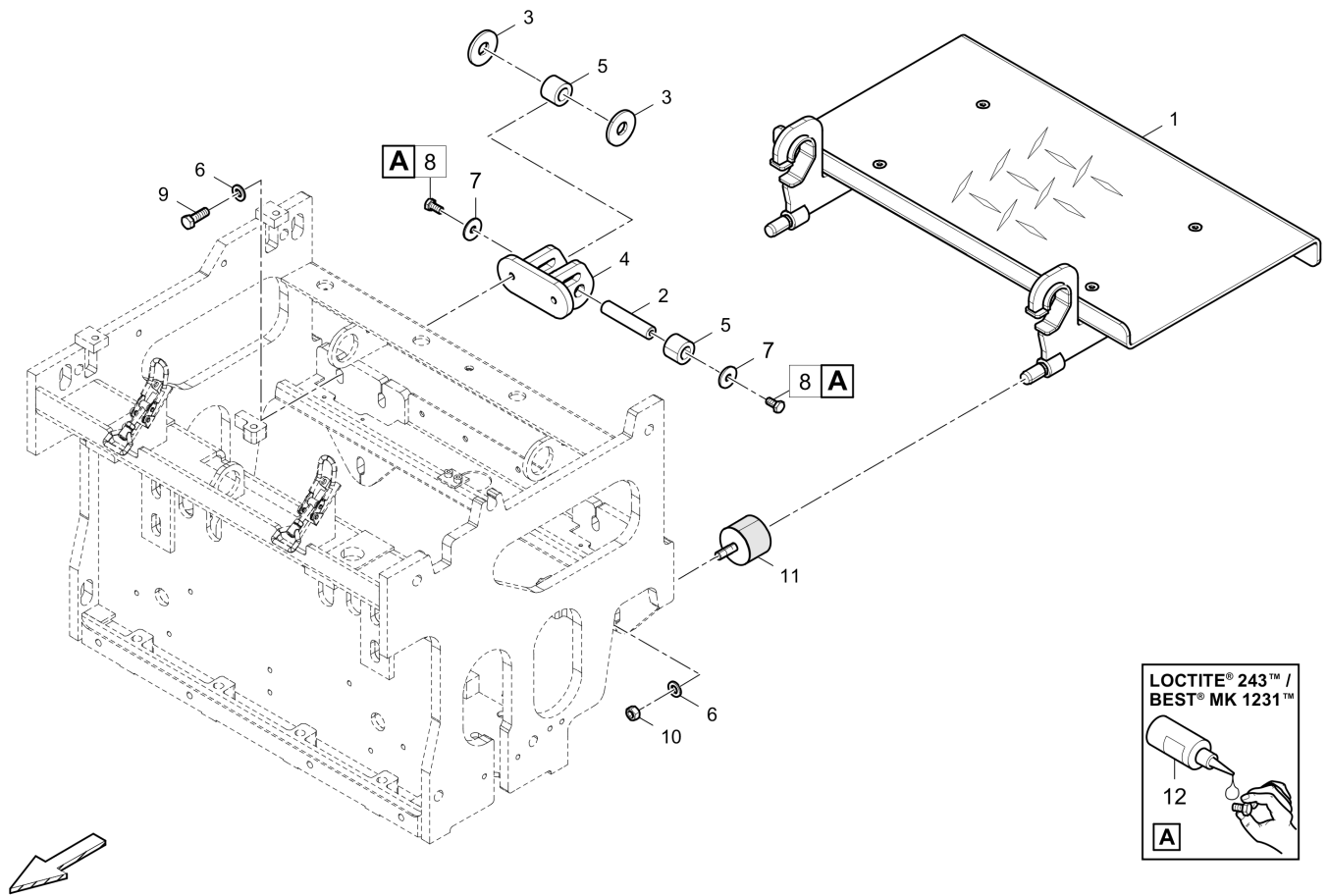


---

Referenced Pages

4720004332 Coupling ..... 113

Item	Part No.	Name	Qty	L	C	SN INFO
15	0337719600	Feather key	2			
16	4749540044	Bearing	2			
17	4749302735	Sealing moulded product	4			
18	4747400034	Thread locking, 250ml	1			

**Footboard** 4812075065 Footboard

Item	Part No.	Name	Qty	L	C	SN INFO
1	4812075066	Footboard	1			
2	4812230967	Bolt	2			
3	4812230953	Rubber disk	4			
4	4812232511	Bracket	2			
5	4812019386	Elastomer	4			
6	0333310052	Flat washer	6			
7	0300013051	Flat washer	4			
8	0147136003	Screw cap	4			
9	0147140203	Hex. head screw M12 x 35	4			
10	0266211200	Hexagon nut	2			
11	4812016885	Rubber buffer	2			
12	4747400034	Thread locking, 250ml	1			

Refer to Parts Online for the most up to date information. The printed information might be outdated.

Wed Oct 07 08:21:01 UTC 2020

---

Referenced Pages

D614215100 Gas system ext. part 750mm ..... 143

---

Referenced Pages

4812026950 Brace pipe ..... 134

---

Referenced Pages

4720004332 Coupling ..... 113

---

	Referenced Pages	
4720004332 Coupling .....		113
	Referenced Pages	
4812232989 Extension mount, AT350, gas, r.h. ....		115

---

	Referenced Pages	
D614215100 Gas system ext. part 750mm .....		143
	Referenced Pages	
4812233100 Gas heating, AT750, r.h. ....		158

---

Referenced Pages

4812026950 Brace pipe ..... 134

---

	Referenced Pages	
D614134600 Adjusting screw .....		74
	Referenced Pages	
4812232986 Extension mount, AT750, gas, l.h. ....		136

---

Referenced Pages

4812027938 Material duct, adj., 1000mm, r.h. .... 132

---

Referenced Pages

4812028745 Tamper guide plate ext. part 750mm, l.h. .... 149

---

Referenced Pages

4812232538 Protecting hood ..... 152

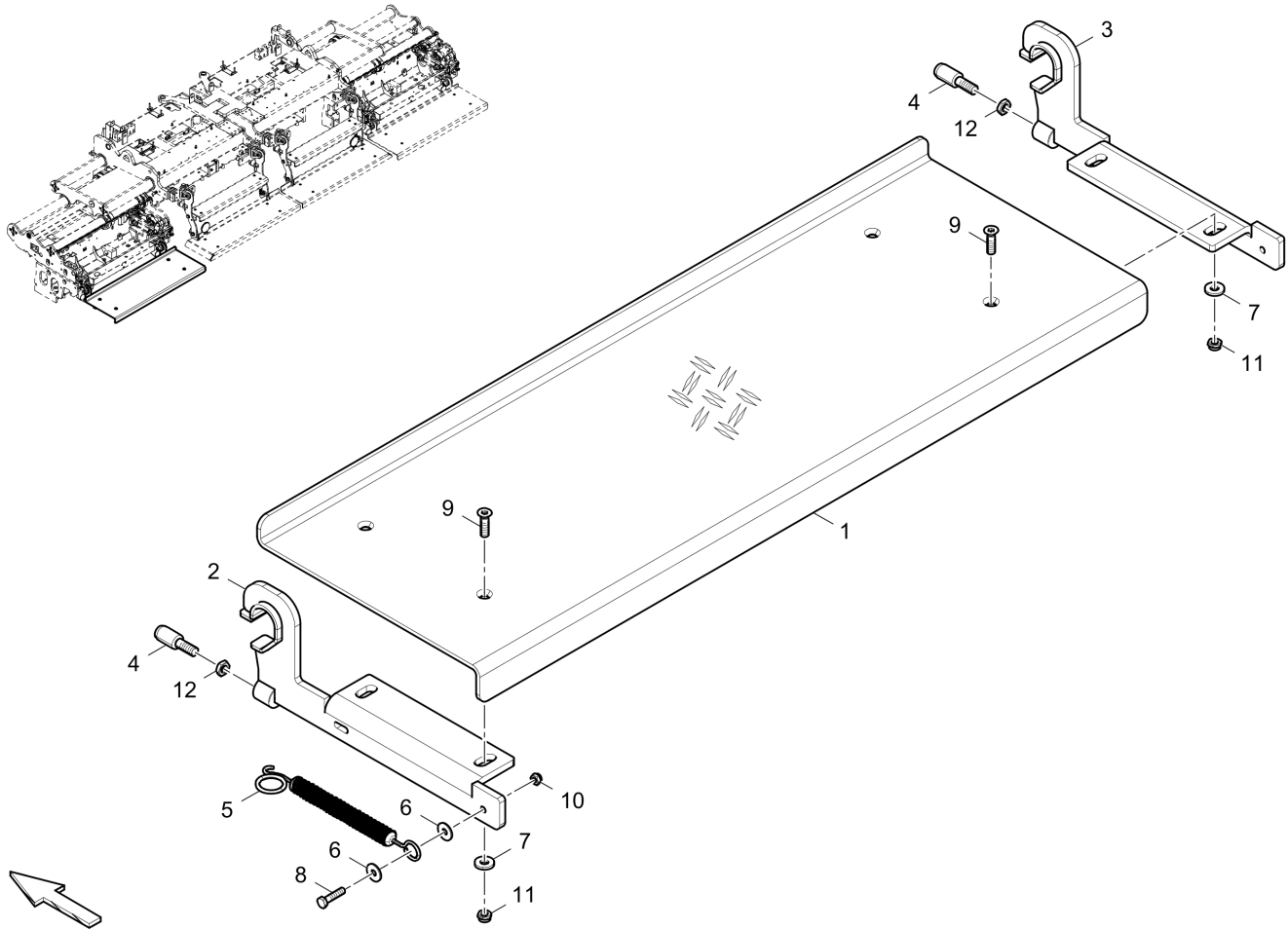
---

	Referenced Pages	
4812035437 Coupling .....		114
	Referenced Pages	
4812232988 Extension mount, AT350, gas, l.h. ....		98

---

Referenced Pages

4812027937 Material duct, adj., 1000mm, l.h. .... 131

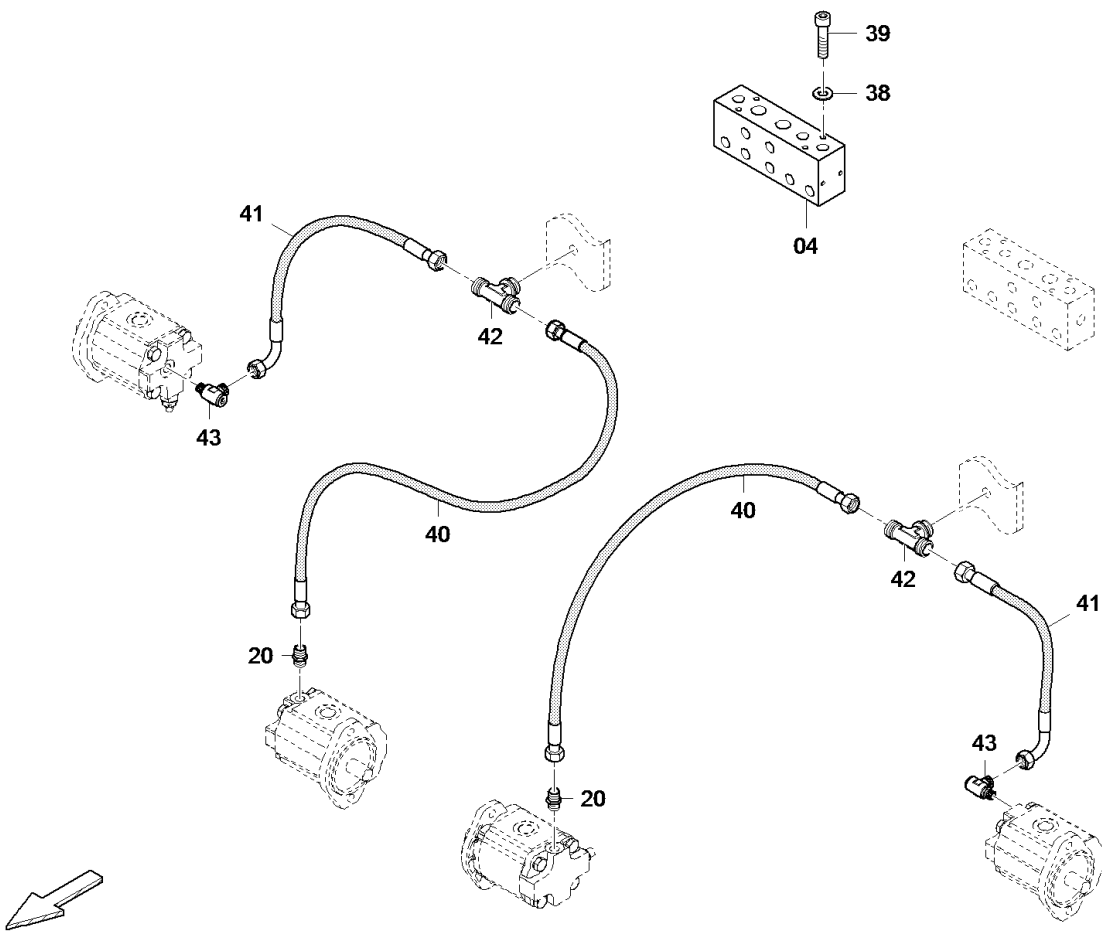
**Footboard, side screed, l.h. 4812074814 Footboard, VT l.h.**

Item	Part No.	Name	Qty	L	C	SN INFO
1	D614143301	Footboard plate	1			
2	4812074808	Arm, l.h.	1			
3	4812074810	Arm, r.h.	1			
4	D606080104	Pivot	2			
5	D614144000	Spring	1			
6	0300013040	Flat washer	2			
7	D939130012	Washer	4			
8	0147132712	Screw DIN933	1			
9	3370044501	Countersunk screw	4			
10	0291111000	Lock nut	1			
11	4812036733	Nut	4			
12	0261109157	Hexagon nut	2			

Refer to Parts Online for the most up to date information. The printed information might be outdated.

Wed Oct 07 08:21:19 UTC 2020

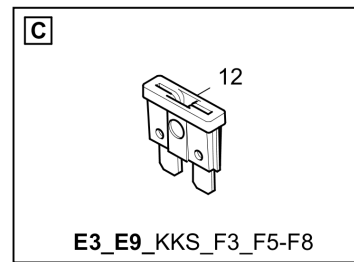
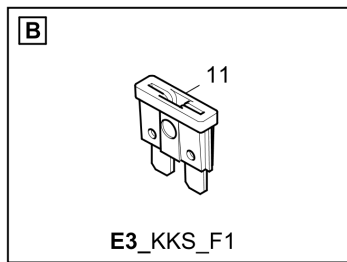
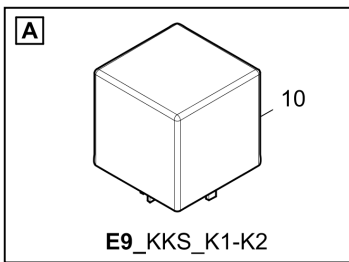
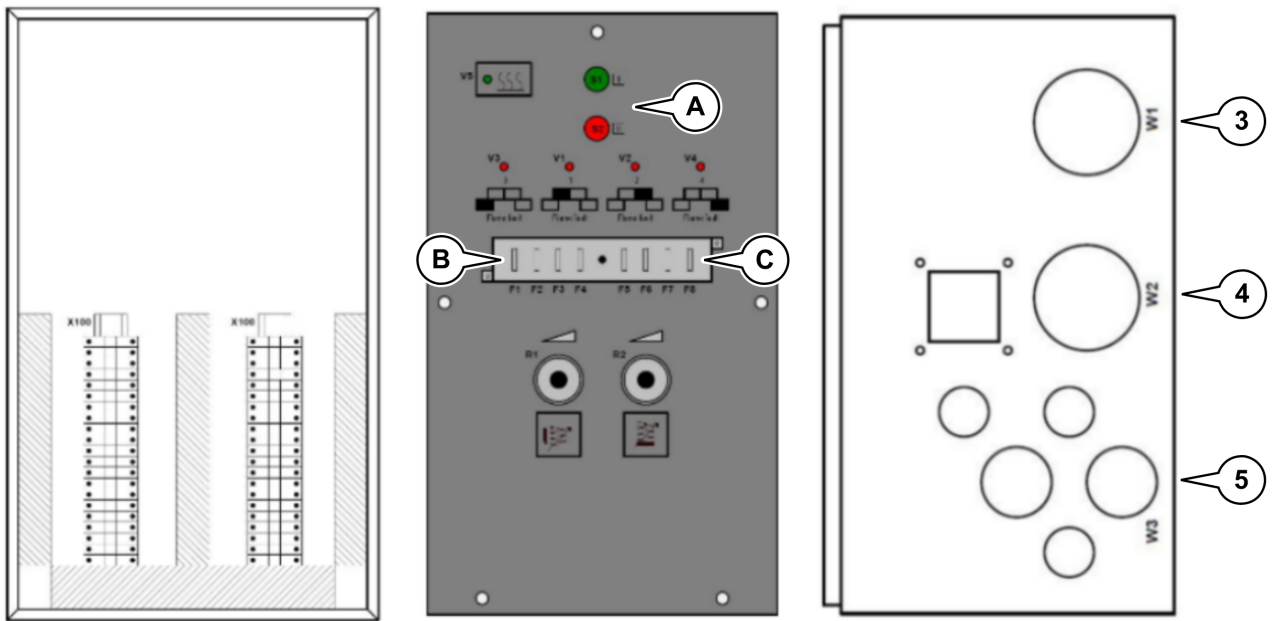
Item	Part No.	Name	Qty	L	C	SN INFO
21	4749900508	Cup spring	1			
23	0147147503	Hex bolt	5			
24	0147147803	Hexagon bolt	4			
25	0147110707	Hexagon head screw	2			
26	0211132803	Hex sock. screw	2			
27	0211137503	Screw	2			
28	4749900236	Threaded pin	1			
29	0106010104	Cylinder pin	2			
30	4749900486	Circlip	2			
31	D936030849	Circlip	2			
32	4749040079	Seal ring	4			
33	4749040059	Seal ring	3			
34	D935011814	Pendulum roller bearing	2			
35	4749540018	Bearing	2			
36	4749302339	Bushing	4			
37	4812005306	Motor	1			
38	0333310049	Lock washer	4			
39	4747400034	Thread locking, 250ml	1			
40	4812161897	Paver Grease / 1 cartridge	1			

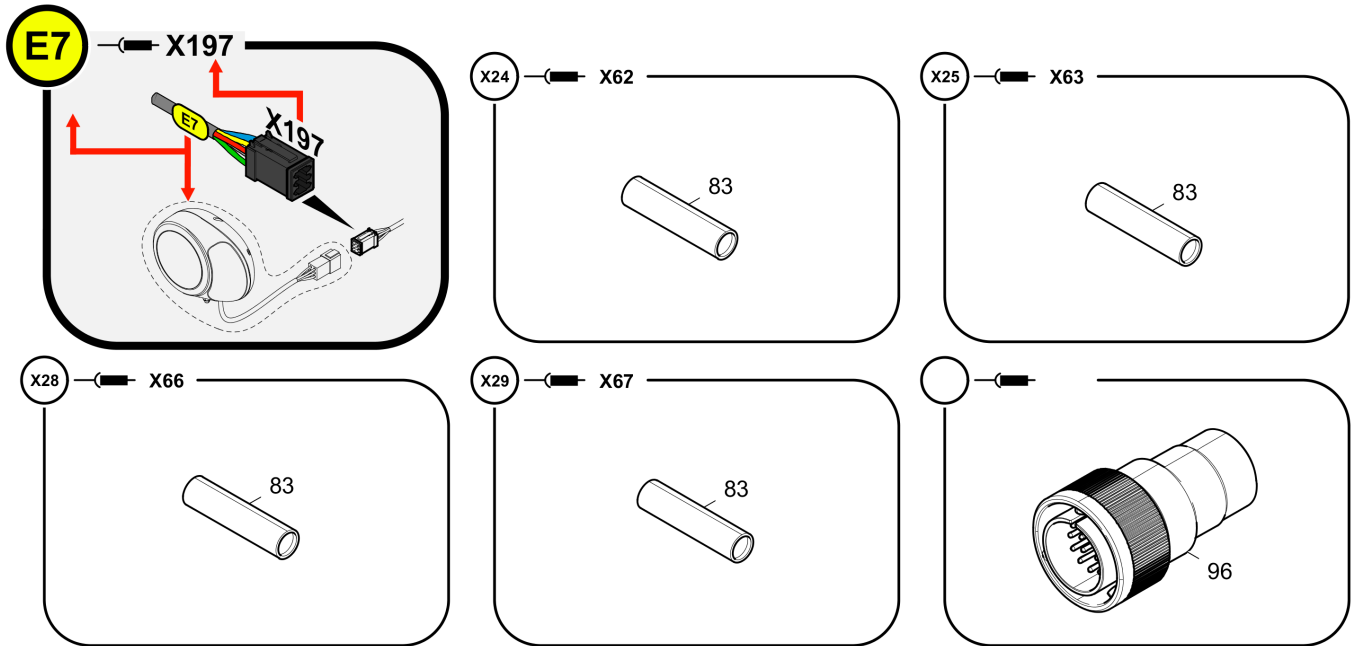


Item	Part No.	Name	Qty	L	C	SN INFO
15	0190124143	Threaded pin	1			
16	4749901060	Dowel sleeve	1			
17	4749900351	Circlip	2			
18	0337719600	Feather key	1			
19	4749540044	Bearing	2			
20	4749302735	Sealing moulded product	4			
21	4812013465	Gear motor	1			
22	4812005471	Boss	1			
23	4812044123	Sleeve	1			
24	D937954487	Threaded pin	1			
25	4747400034	Thread locking, 250ml	1			
26	4812161897	Paver Grease / 1 cartridge	1			

Item	Part No.	Name	Qty	L	C	SN INFO
33	4812016441	Socket	2			
34	D961917008	Elbow socket	2			
35	D961951084	Male connector	2			

**Junction box** 4812215861 Junction box





Item	Part No.	Name	Qty	L	C	SN INFO
27	D977396215	Tab	4			
33	D977479787	Socket	1			
42	D977476443	Valve plug	2			
48	D977476436	Elbow plug schwarz / black	2			
62	4812076773	Gasket	1			
83	4812036525	Cable joint	4			
84	4812045784	Screw	4			
85	D977416567	Sealing	1			
86	D977416507	Counter nut	4			
88	4812044724	Sealing	4			
91	0291112862	Hexagon nut	2			
92	0160099742	Slotted screw	4			
93	0211117403	Cap screw	2			
94	4812076648	Socket enclosure	1			
95	4812077052	Socket holder	1			
96	4812016881	Dummy plug	1			
97	4812217392	Hexagon socket head cap screw	2			

Refer to Parts Online for the most up to date information. The printed information might be outdated.

Wed Oct 07 08:21:58 UTC 2020

CLICK HERE TO **DOWNLOAD** THE COMPLETE MANUAL

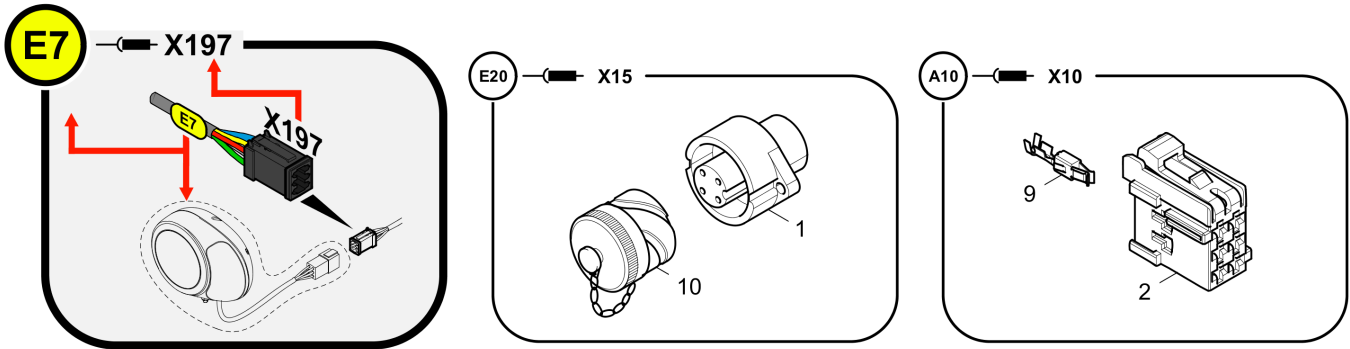
- Thank you very much for reading the preview of the manual.
- You can download the complete manual from: [www.heydownloads.com](http://www.heydownloads.com) by clicking the link below



- Please note: If there is no response to CLICKING the link, please download this PDF first and then click on it.

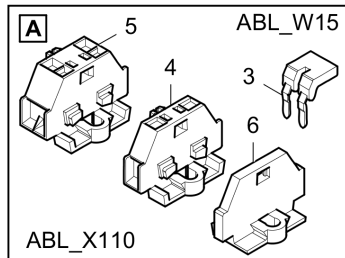
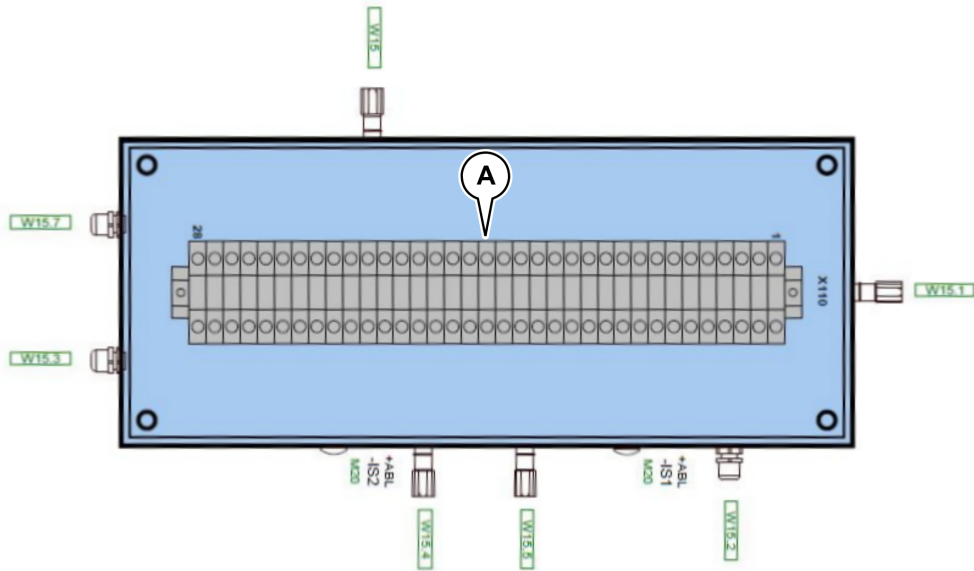
CLICK HERE TO **DOWNLOAD** THE COMPLETE MANUAL

**Harness W15.4** 4812072494 **Harness W15.4**



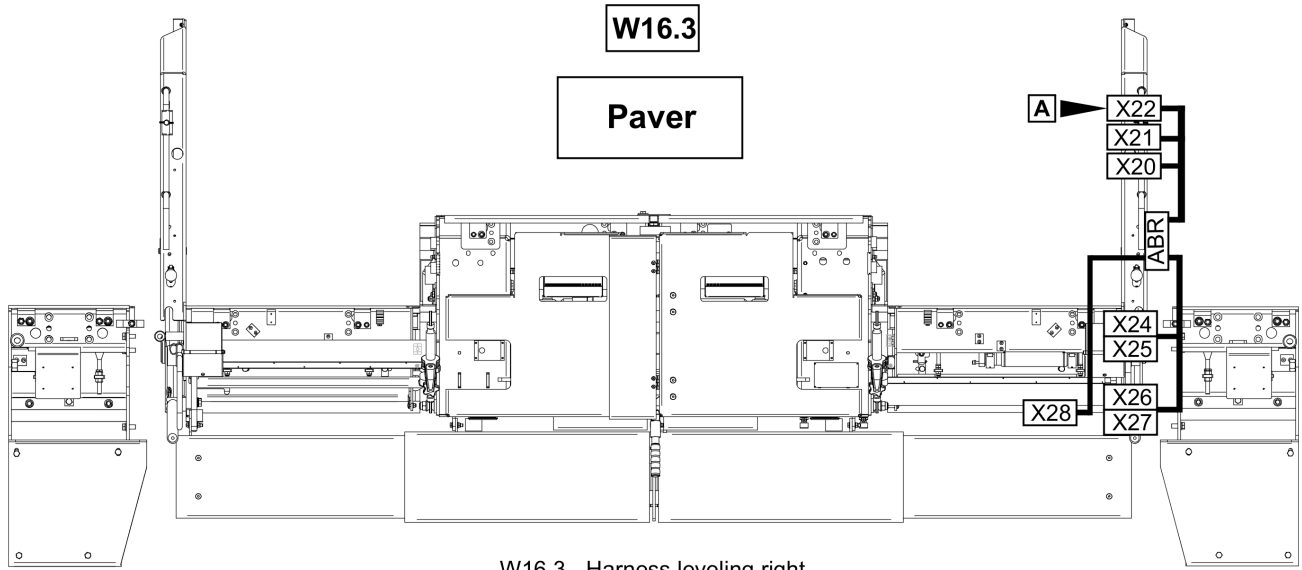
Item	Part No.	Name	Qty	L	C	SN INFO
1	D977465404	Installation box	1			
2	4812046164	Power-timer housing	1			
9	4812030987	Female contact	2			
10	D977465408	Protection cap	1			

**Terminal box, l.h.** 4812016089 Terminal box, l.h.

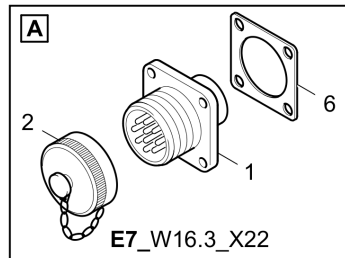


Item	Part No.	Name	Qty	L	C	SN INFO
3	D977425176	Bridge	1			
4	D977425171	Through clamp	6			
5	D977425172	Through clamp	20			
6	D977425175	Cover plate	1			

**Harness 4812016111 Harness W16.3**

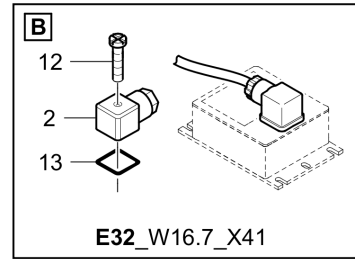
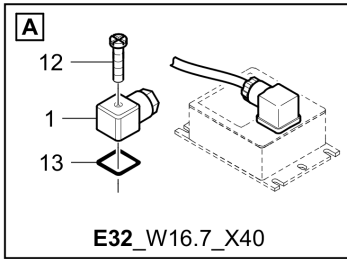
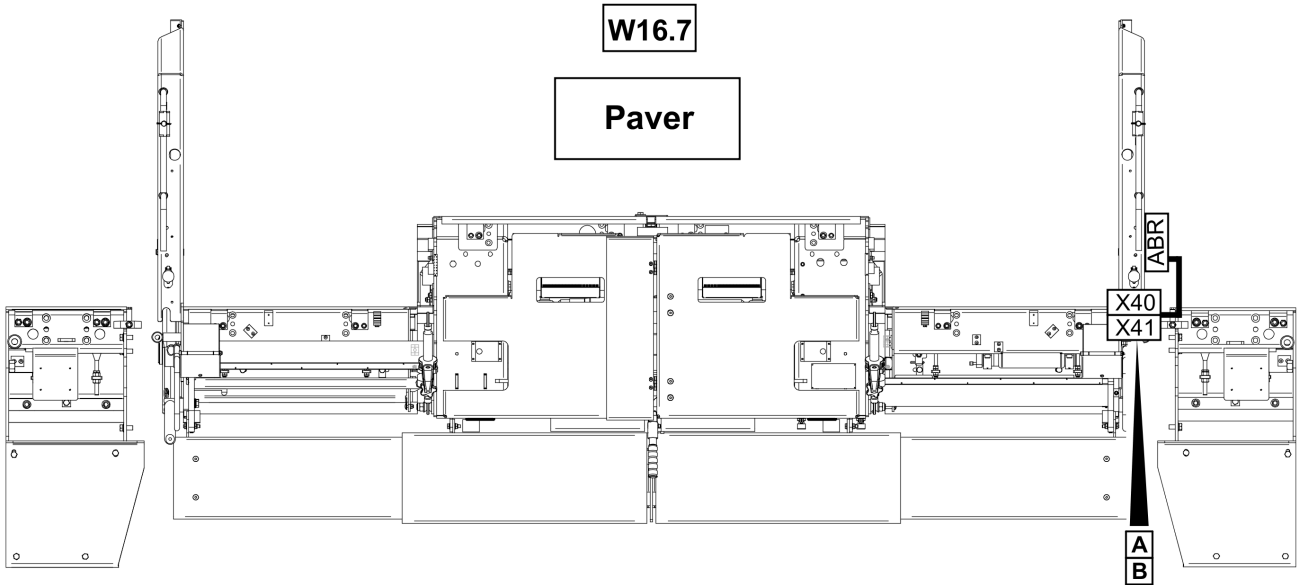


W16.3 - Harness leveling right



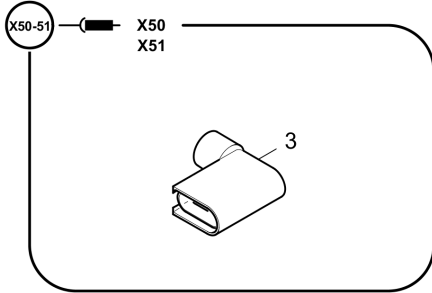
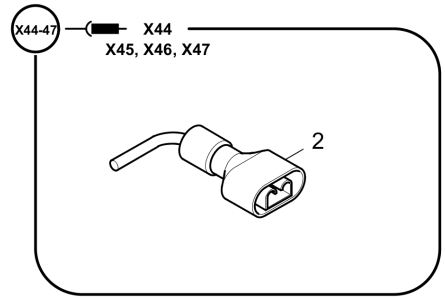
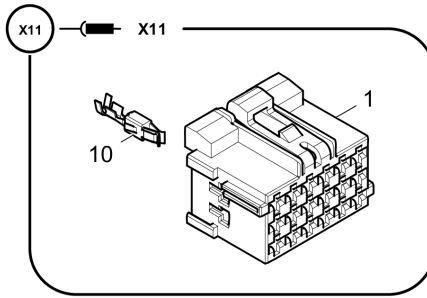
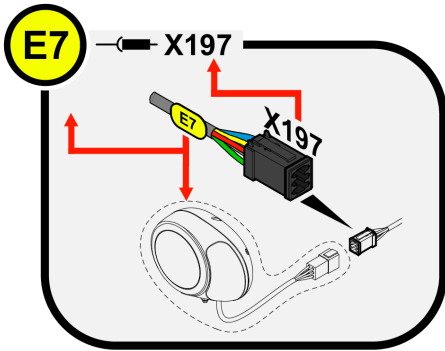
Item	Part No.	Name	Qty	L	C	SN INFO
1	4812073671	Socket	1			
2	4812073688	Dust cap	1			
6	D977416566	Sealing	1			

**Harness 4812016965 Harness W16.7**

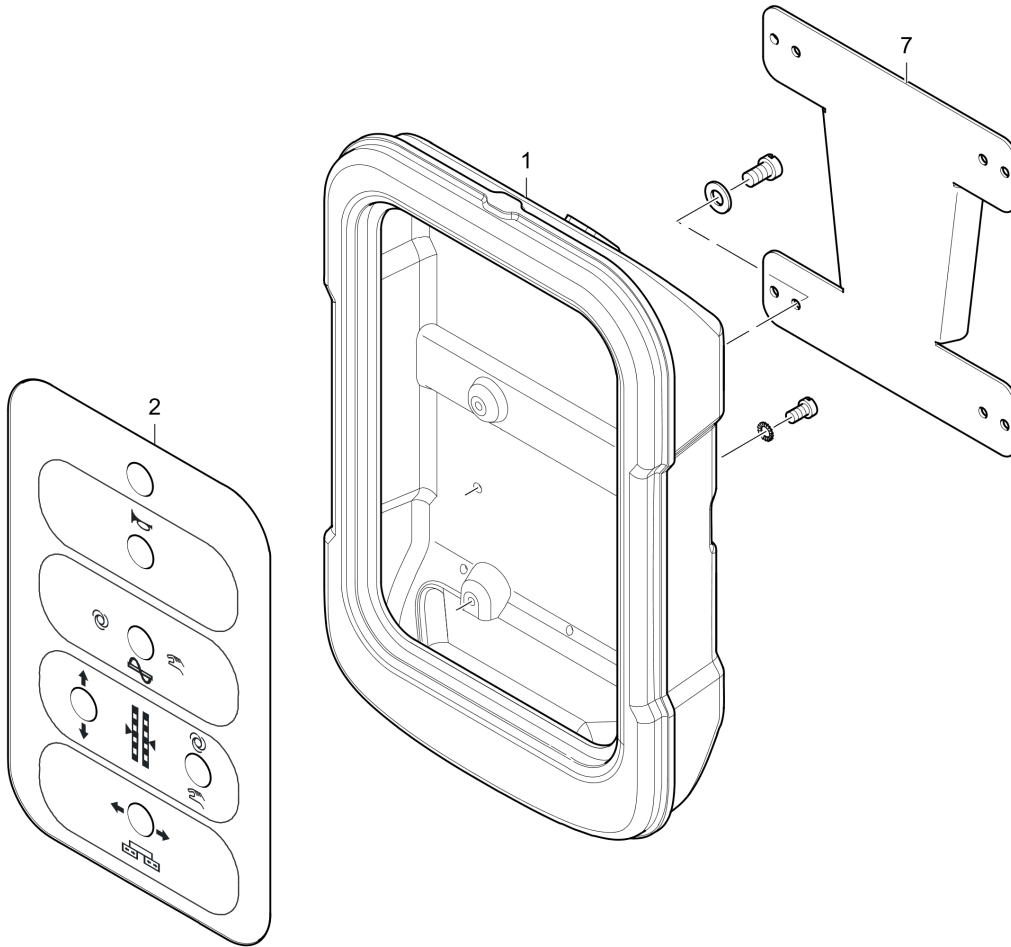


Item	Part No.	Name	Qty	L	C	SN INFO
1	D977476437	Elbow plug grau/ grey	1			
2	D977476436	Elbow plug schwarz / black	1			
12	4812045784	Screw	1			
13	4812044724	Sealing	1			

**Harness** 4812072491 Harness W16.5

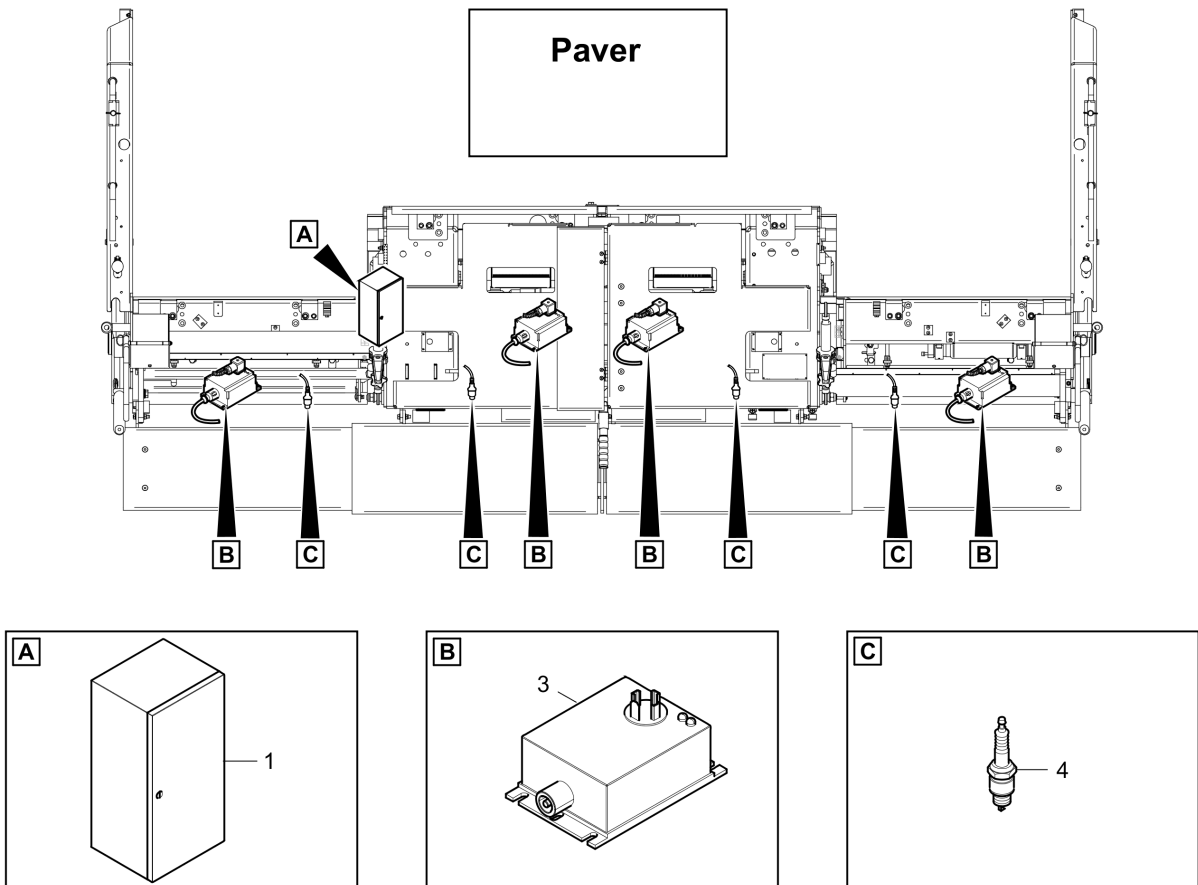


Item	Part No.	Name	Qty	L	C	SN INFO
1	4812029238	Power-timer housing	1			
2	4749100631	Receptacle for tabs Red	4			
3	D977397656	Receptacle	2			
10	4812030987	Female contact	5			

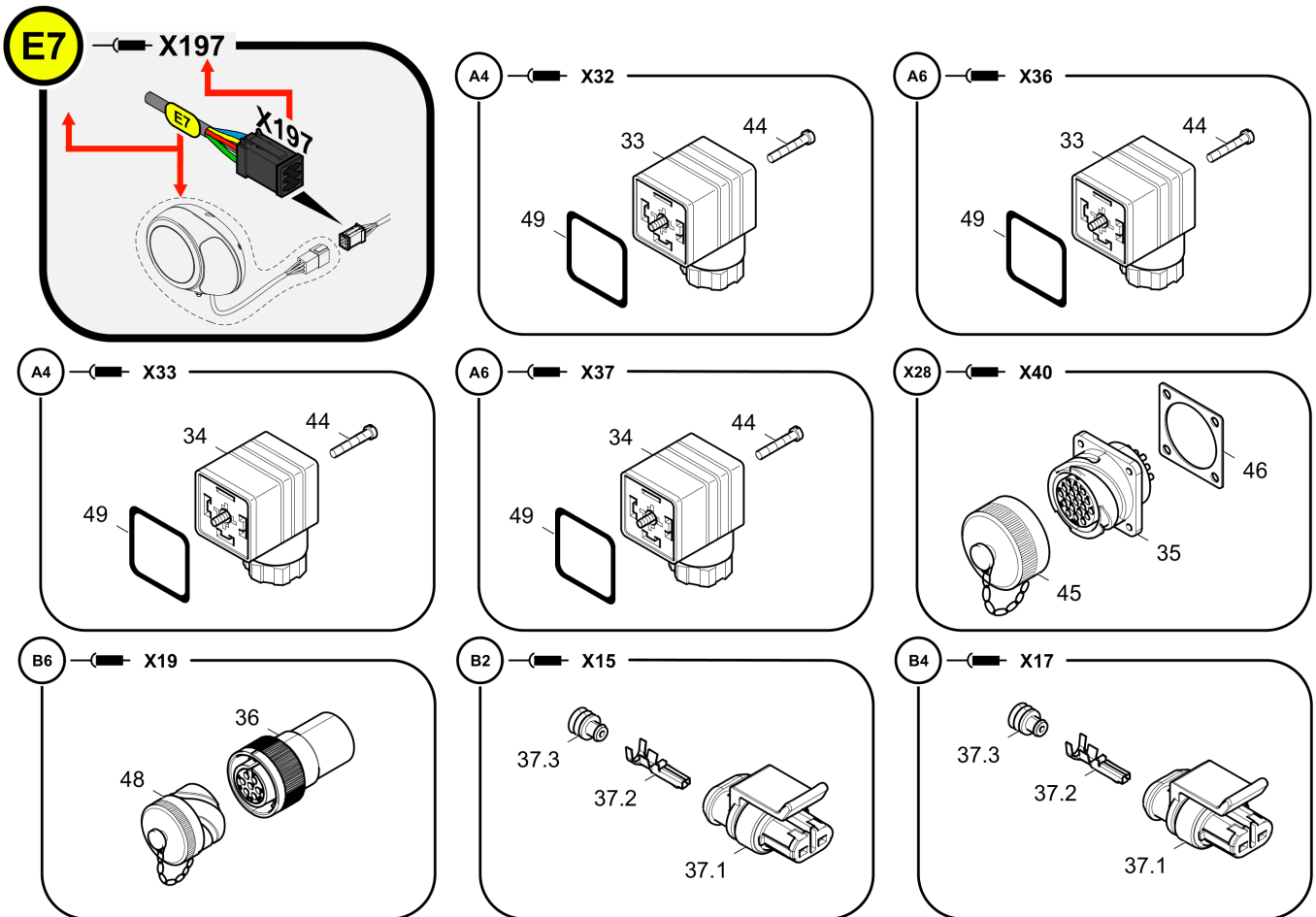
**Housing** 4812016220 Housing

Item	Part No.	Name	Qty	L	C	SN INFO
1	4812017986	Housing	1			
2	4812016233	Foil stickers	1			
7	4812035683	Retainer plate	1			

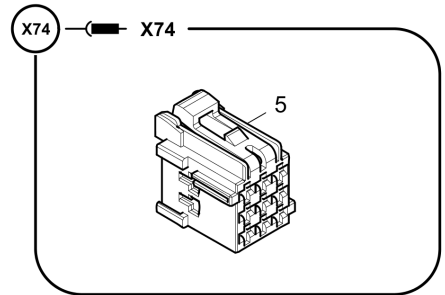
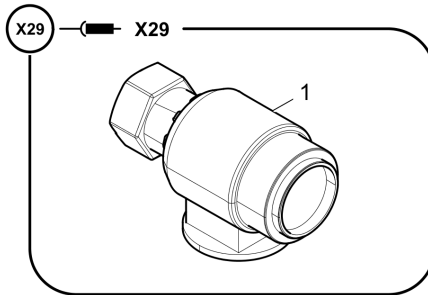
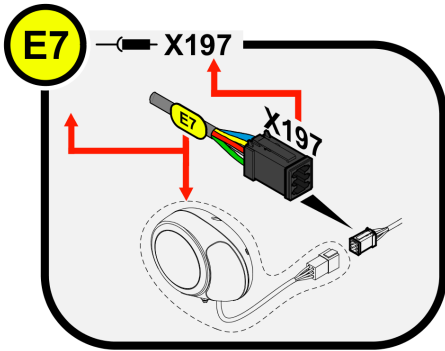
**Electric 4812023961 Electric**



**Harness 4812023968 Harness W2**

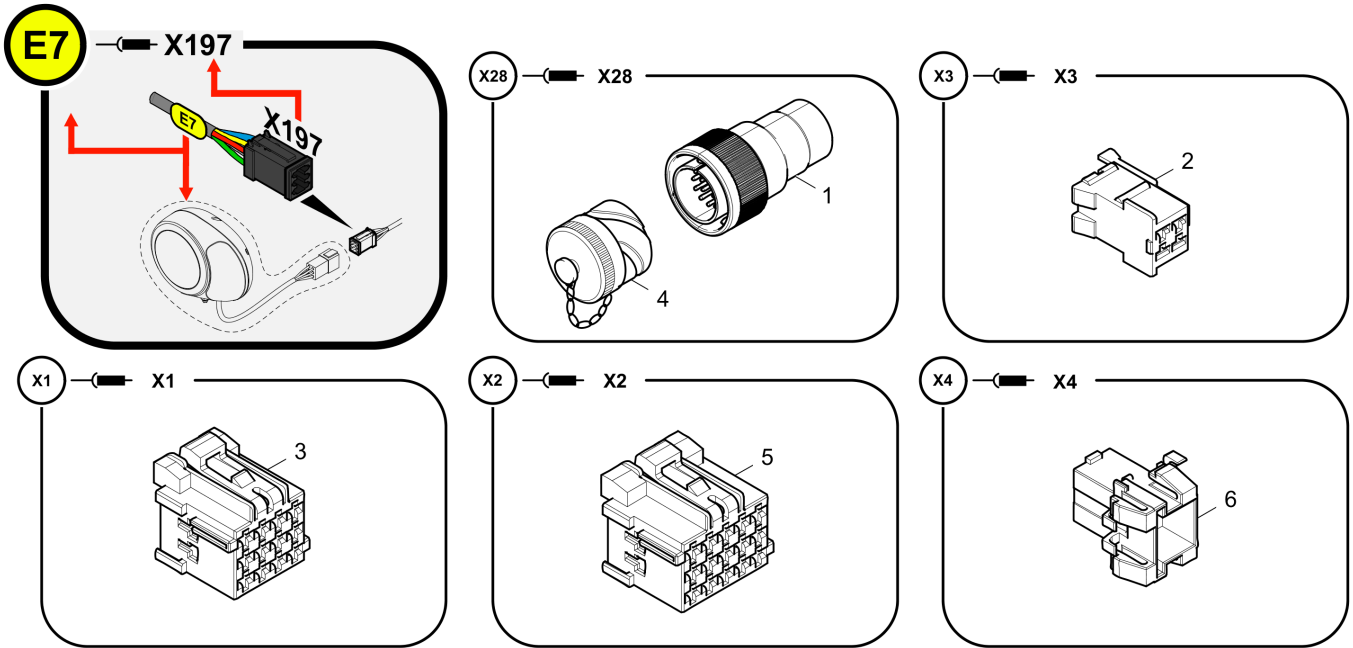


**Harness** 4812018688 Harness W7



Item	Part No.	Name	Qty	L	C	SN INFO
1	4812041899	Plug	1			
5	4812029603	Power timer housing	1			

**Harness** 4812018679 Harness W16

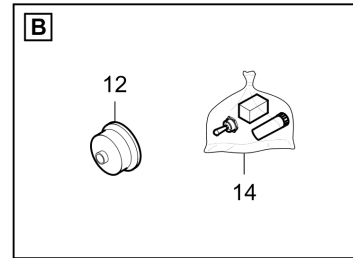
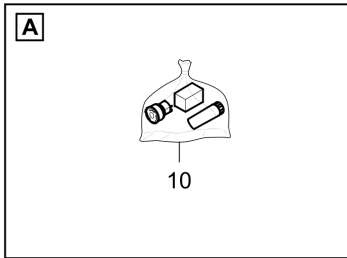
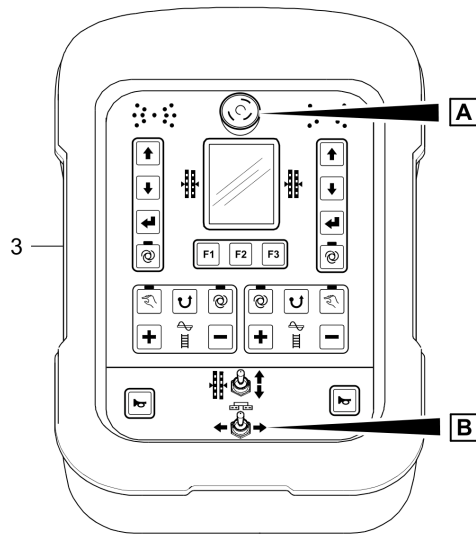


Item	Part No.	Name	Qty	L	C	SN INFO
1	4812073681	Plug	1			
2	4812029304	Power-timer housing	1			
3	4812029613	Power-timer housing	1			
4	4812073686	Dust cap	1			
5	4812046158	Power timer housing	1			
6	4812029308	Socket	1			

Refer to Parts Online for the most up to date information. The printed information might be outdated.

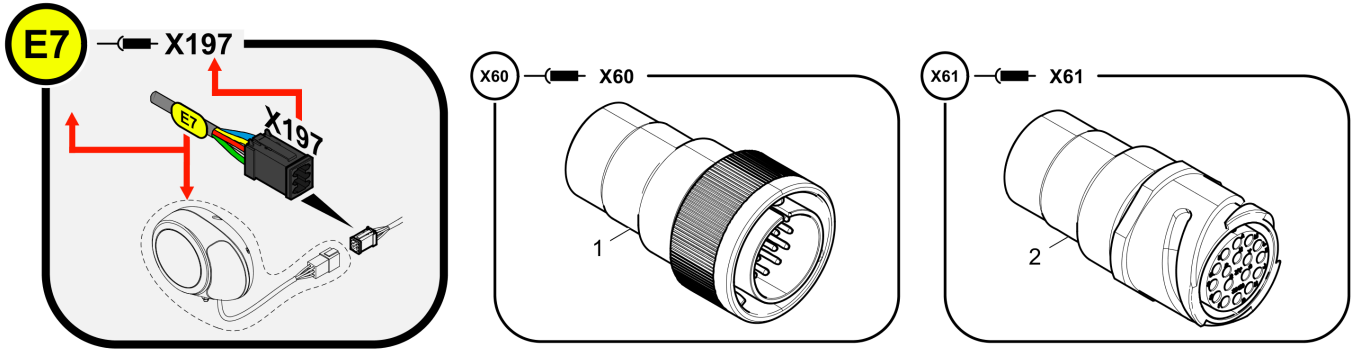
Wed Oct 07 08:23:18 UTC 2020

**Remote control** 4812015926 Remote control, PLC

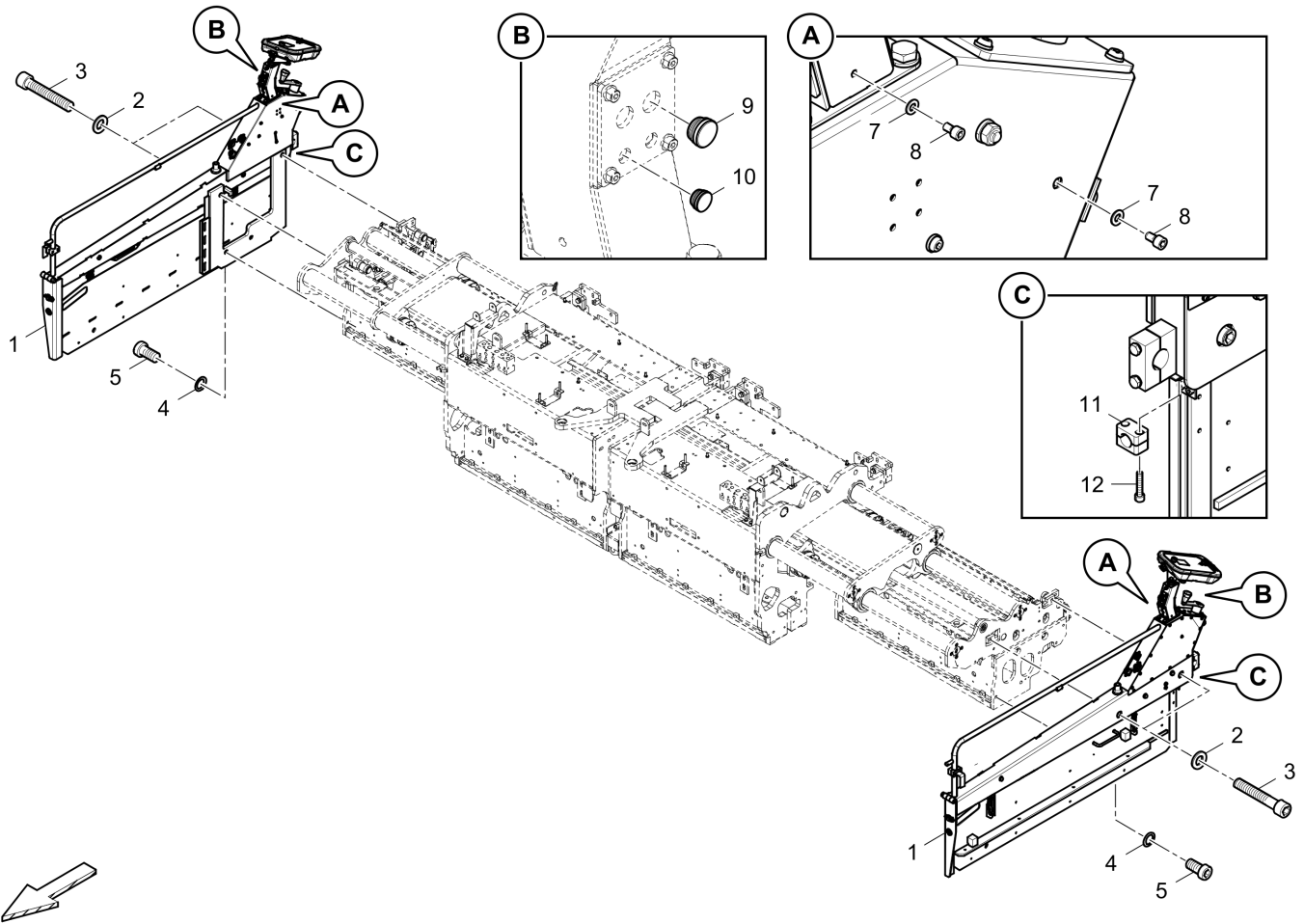


Item	Part No.	Name	Qty	L	C	SN INFO
3	4812024563	Remote control	1	Without cable / ohne Kabel		
10	4812005575	Repair kit Emergency push button	1			
12	4812004994	Protection cap	2			
14	4812005574	Repair kit switch	1			
14	4812076190	1 Switch repair kit, alternative part	1			
14	4812076199	2 Switch repair kit, alternative part	1			

Connecting cable, PLC 4812215755 Cable W17



Item	Part No.	Name	Qty	L	C	SN INFO
1	4812073681	Plug	1			
2	4812075980	Socket	1			
.	4812215755	Cable, cpl				

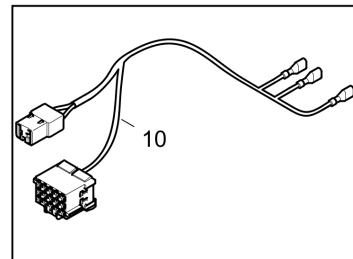
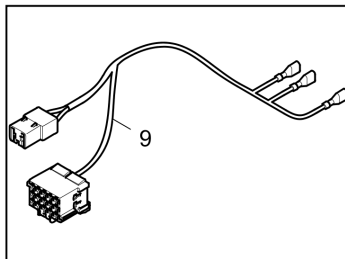
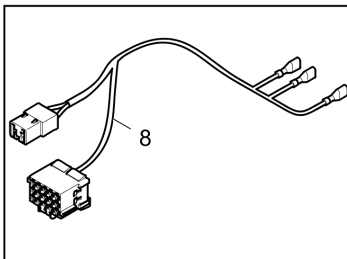
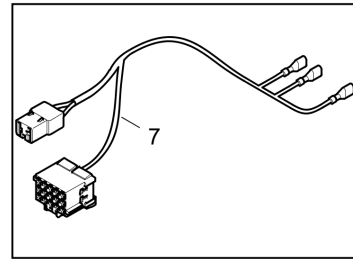
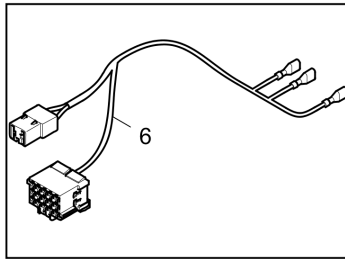
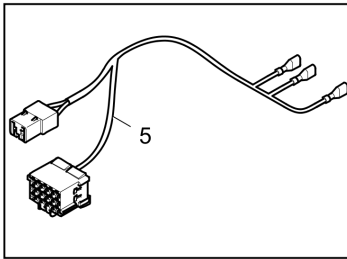
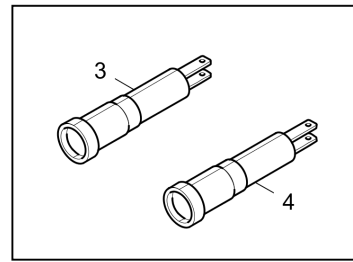
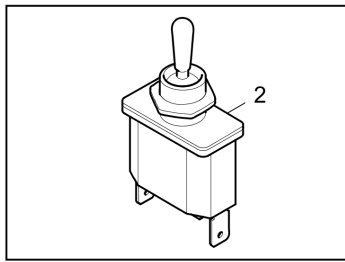
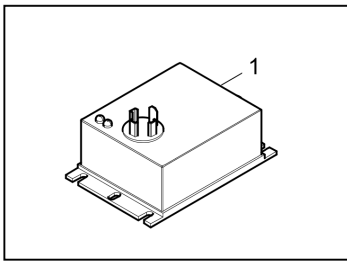
**End plate, unheated** 4812238700 End plate, unheated

Item	Part No.	Name	Qty	L	C	SN INFO
1	4812238583	End plate, l.h. & r.h.	1			
2	0333310053	Washer	4			
3	0211196064	Hexagon socket head cap screw	4			
4	0333310044	Lock Washer	4			
5	0215001074	Hexagon socket head cap screw	4			
7	0333310055	Washer	4			
8	0215000621	Hexagon socket button head screw	4			
9	4812018545	Plug	4			
10	4812018546	Plug	4			
11	4749300093	Clamp	2			
12	0211125003	Screw, M6x30, 8.8	4			

Refer to Parts Online for the most up to date information. The printed information might be outdated.

Wed Oct 07 08:23:34 UTC 2020

Item	Part No.	Name	Qty	L	C	SN INFO
56	0266211200	Hexagon nut	2			
57	D814408020	Dovetail	1			
58	0147120403	Screw	4			
59	0333317507	Schnorr-lock washer	4			
60	D930429155	Star grip screw	1			
61	0291111000	Lock nut	1			
62	D935511210	Grease nipple	1			
63	4812235681	Holding device	1			
64	0211110424	Hexagon socket head cap screw	1			
65	5730007656	Hexagon nut	3			
66	4749300213	Spring cotter	1			
67	4812231350	Fixture	1			
68	0333310043	Schnorr-lock washer	2			
69	0147140705	Hexagon head screw	2			
70	4812232734	Cover plate	1			
71	0215000620	Hexagon socket button head screw	1			
72	4720003740	Safety lock	1			
73	4812023964	Holding plate	1			
74	0266210600	Hexagon nut M4	4			
75	0147117303	Hex. head screw	4			
76	4812161897	Paver Grease / 1 cartridge	1			

**Gas heating side shield 4812018851 Gas heating side plate**

Item	Part No.	Name	Qty	L	C	SN INFO
1	4812076891	Ignition box	2			
2	D977532017	Toggle switch	2			
3	4749100744	Diode	2			
4	4749100745	Diode	2			
5	4812018676	Harness W15.5	1			
6	4812015919	Harness W15.6	1			
7	4812018677	Harness W15.7	1			
8	4812018684	Harness W16.5	1			
9	4812015927	Harness W16.6	1			
10	4812018685	Harness W16.7	1			

---

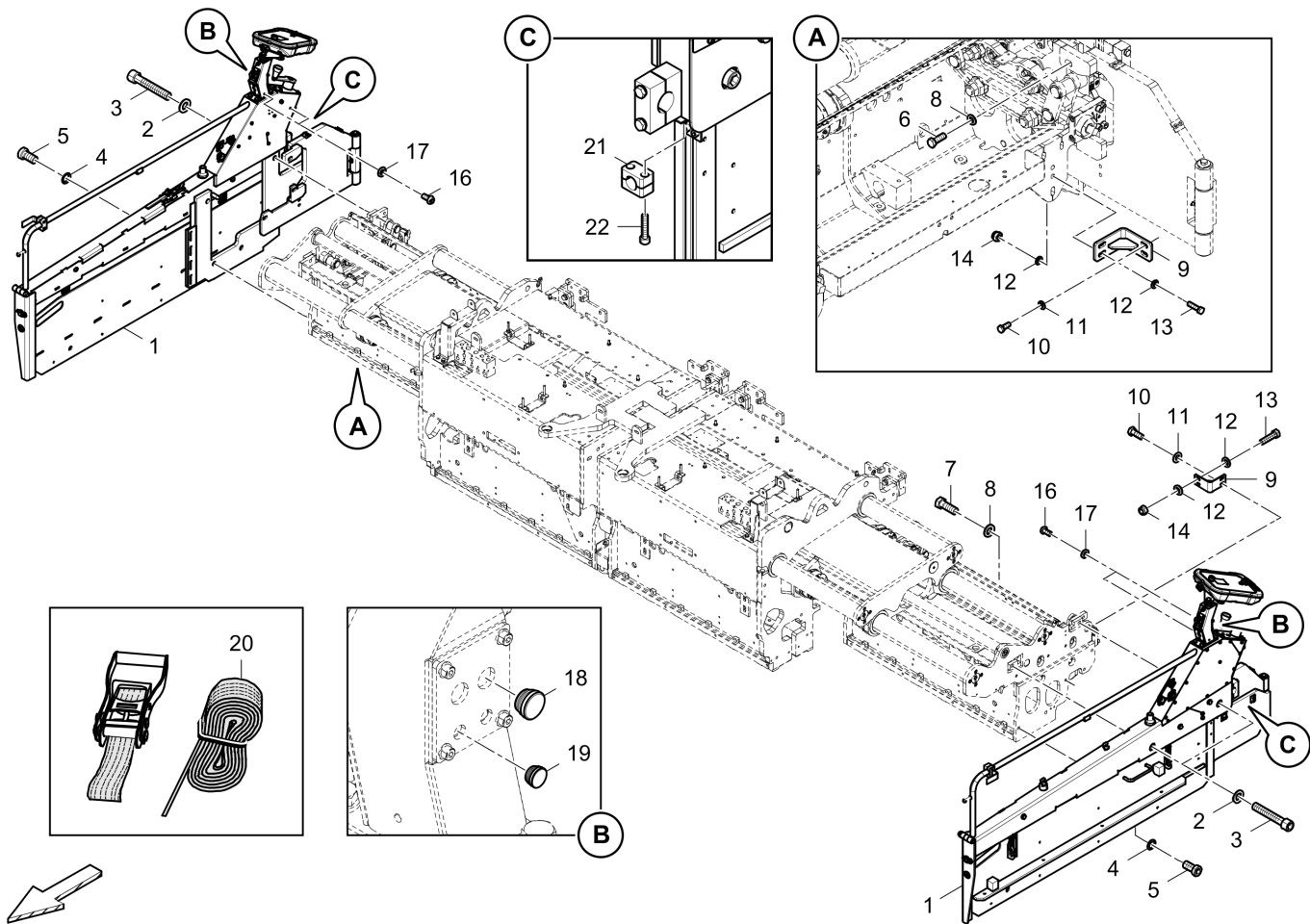
Referenced Pages

4812018676 Harness W15.5	438
4812015919 Harness W15.6	376
4812018677 Harness W15.7	389
4812018684 Harness W16.5	445
4812015927 Harness W16.6	379
4812018685 Harness W16.7	446

Referenced Pages

4812018851 Gas heating side plate	490
-----------------------------------	-----

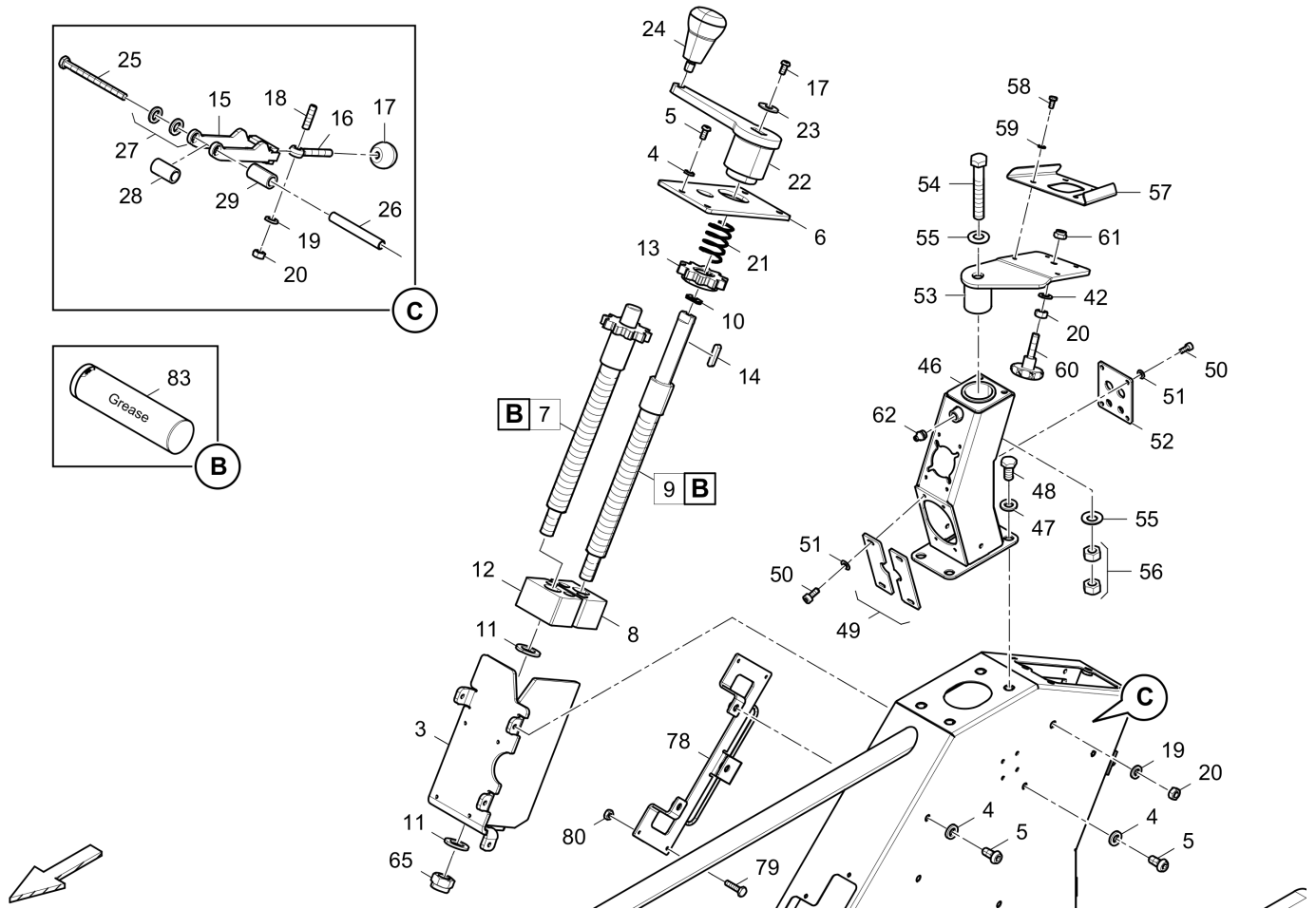
**End plate unheated, l.h. & r.h. 4812238743 End plate unheated, l.h. & r.h.**



Item	Part No.	Name	Qty	L	C	SN INFO
1	4812238742	End plate, l.h. & r.h.	1			
2	0333310053	Washer	4			
3	0211196064	Hexagon socket head cap screw	4			
4	0333310044	Lock Washer	4			
5	0215001074	Hexagon socket head cap screw	4			
6	0147147803	Hexagon bolt	4			
7	0147147603	Screw M16X35	2			
8	0333310049	Lock washer	6			
9	D614191700	Angle holder	2			
10	0147140103	Screw	4			
11	0333310052	Flat washer	4			
12	0301235800	Plain washer	8			
13	5530999900	Hexagon head screw	4			
14	5730008013	Hexagon nut	4			
16	0215000621	Hexagon socket button head screw	4			
17	0333310055	Washer	4			

Refer to Parts Online for the most up to date information. The printed information might be outdated.

Wed Oct 07 08:23:50 UTC 2020



Item	Part No.	Name	Qty	L	C	SN INFO
1	4812238739	Holder f. end plate, r.h.	1			
1.35	D930136621	Bushing	2			
2	4812237342	Side cover, r.h.	1			
3	4812238555	Support plate, r.h.	1			
4	0333310055	Washer	25			
5	0215000621	Hexagon socket button head screw	25			
6	4812231314	Cover	1			
7	4812234446	Spindle	1			
8	4812231155	Spindle nut	1			
9	4812234447	Spindle	1			
10	4812236172	Shim	3			
11	0301237800	Plain washer(A) 17 x 30 x 3	4			
12	4812231154	Spindle nut	1			
13	4812231238	Shift dog	1			
14	0337212100	Feather key	1			
15	4812017592	Shift fork	1			
16	5730008547	Eyebolt	1			

Refer to Parts Online for the most up to date information. The printed information might be outdated.

Wed Oct 07 08:23:56 UTC 2020

---

	Referenced Pages	
4812234680 Hinge, r.h. ....		524
	Referenced Pages	
4812238741 End plate, r.h. ....		519

---

	Referenced Pages	
4812234680 Hinge, r.h. ....		524
	Referenced Pages	
4812238741 End plate, r.h. ....		519

Item	Part No.	Name	Qty	L	C	SN INFO
18	4812030625	Cup spring	4			
19	4812235701	Clamping bush	1			
20	0147155703	Hexagon head screw	1			
21	4812024051	Sheet	2			
22	0301233500	Plain washer	3			
23	0147132403	Hex.bolt	2			
24	4812231309	Control box holder	1			
25	0333310051	Lock washer	4			
26	0147136003	Screw cap	4			
27	4812232926	Clamping plate	2			
28	4812232881	Cover plate	1			
29	0301231500	Plain washer(A) 4.3 x 9 x 0.8	8			
30	4812216710	Screw	16			
31	0266113905	Hexagon nut	1			
32	4812232919	Receptacle plate	1			
33	4749900481	Cup spring	2			
34	0147141103	Hex. head screw M12 x 80	1			
35	0266211200	Hexagon nut	2			
36	D814408020	Dovetail	1			
37	0333317507	Schnorr-lock washer	4			
38	0147120403	Screw	4			
39	D930429155	Star grip screw	1			
40	0266211000	Hexagon nut	1			
41	0291111000	Lock nut	1			
42	D935511210	Grease nipple	1			
43	4812234039	Support plate	1			
44	D939476170	Countersunk screw	2			
45	4812231350	Fixture	1			
46	0333310043	Schnorr-lock washer	2			
47	0147140705	Hexagon head screw	2			
48	4749300509	Clamp	2			
49	4749300383	Cover plate	2			
50	0147132712	Screw DIN933	2			
51	4812023964	Holding plate	1			
52	0147117303	Hex. head screw	4			
53	0266210600	Hexagon nut M4	4			
54	4812234034	Safety lock	1			
54.1	4812234033	Safety lock	1			

Refer to Parts Online for the most up to date information. The printed information might be outdated.

Wed Oct 07 08:24:03 UTC 2020

---

Referenced Pages

4812009373 Harness W6	428
4812018688 Harness W7	430
4812018689 Harness W8	431
4812018676 Harness W15.5	438
4812018684 Harness W16.5	445

---

	Referenced Pages	
4812238804 Hydr. end plate unheated, r.h. ....		552
	Referenced Pages	
4812238806 Hydr. end plate unheated, l.h. & r.h. ....		547

---

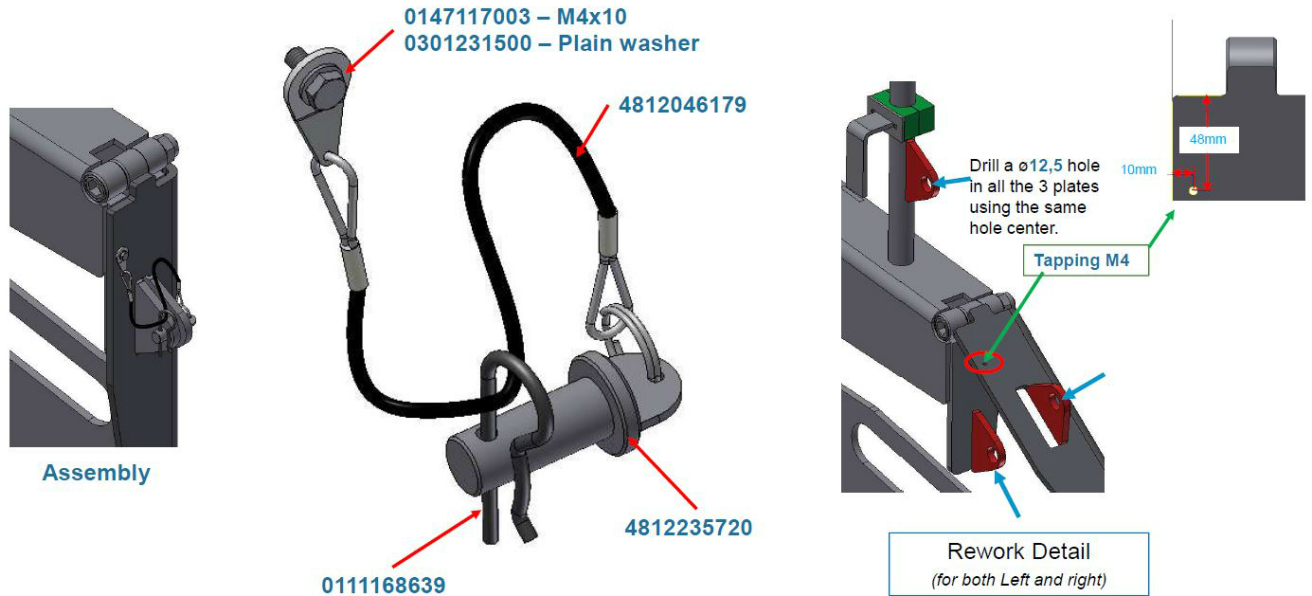
Referenced Pages

4812019242 Hydraulic, end plate .....	561
4812010450 Control block .....	564

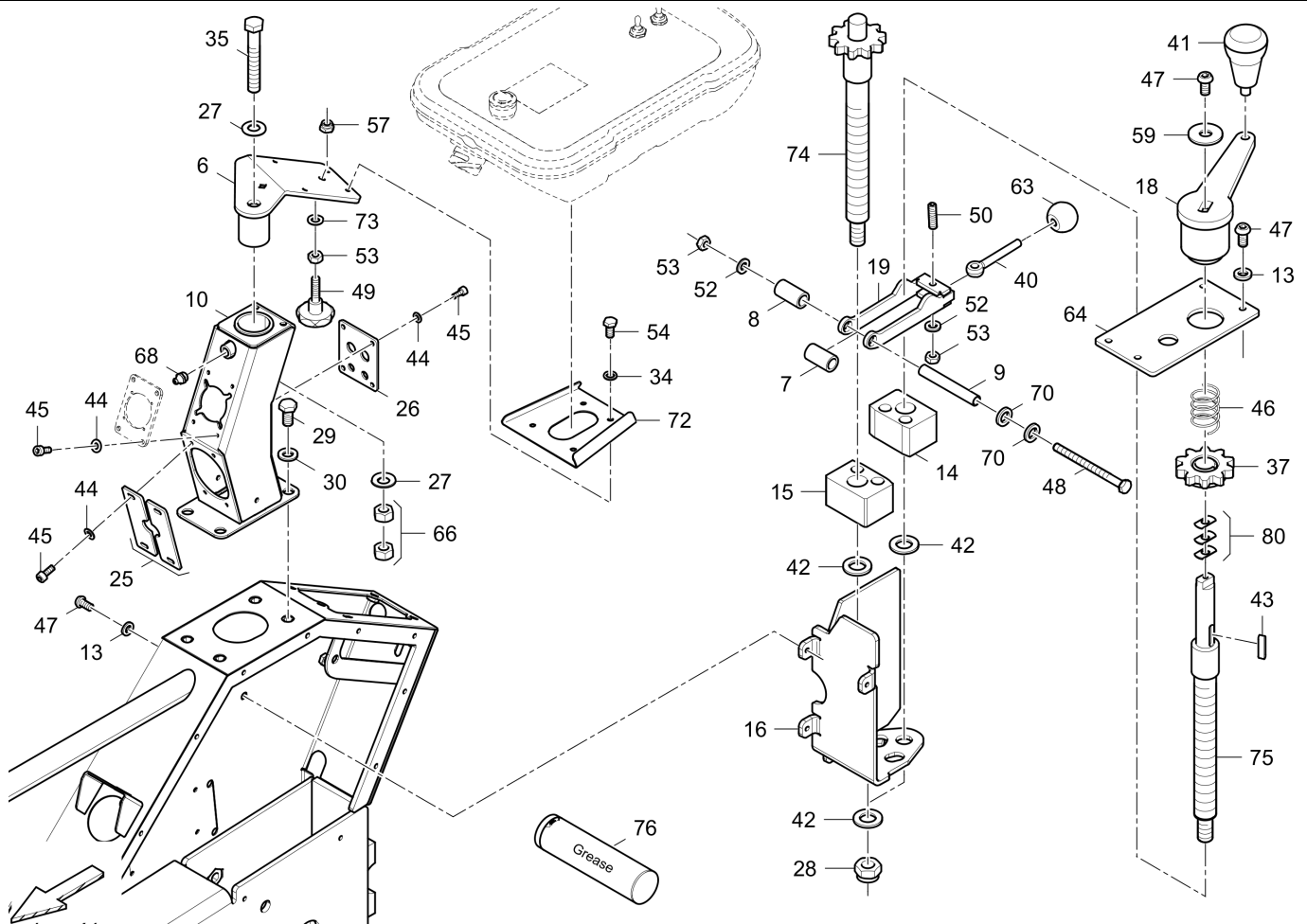
**Kit, for the front pin** 4812201086 Kit, for the front pin

**KIT- INSTALLATION DETAILS**

FOR THE SIDE SHIELD FRONT PIN



Item	Part No.	Name	Qty	L	C	SN INFO
1	4812235720	Pin	2			
2	0111168639	Locking clip	2			
3	4812046179	Rope	2			
4	0147117003	Screw	2			
5	0301231500	Plain washer(A) 4.3 x 9 x 0.8	2			



Item	Part No.	Name	Qty	L	C	SN INFO
1	4812231339	End plate, l.h.	1			
4	4812231539	Upper part	1			
5	4812231386	Bottom part	1			
6	4812232919	Receptacle plate	1			
7	4812231165	Sleeve	1			
8	4812231338	Sleeve	1			
9	4812231326	Sleeve	1			
10	4812231309	Control box holder	1			
11	0211110424	Hexagon socket head cap screw	1			
12	0147140705	Hexagon head screw	2			
13	0333310055	Washer	25			
14	4812231154	Spindle nut	1			
15	4812231155	Spindle nut	1			
16	4812232897	Support plate	1			
18	D614161400	Crank handle	1			
19	4812017592	Shift fork	1			
20	4812231167	Roller	2			

Refer to Parts Online for the most up to date information. The printed information might be outdated.

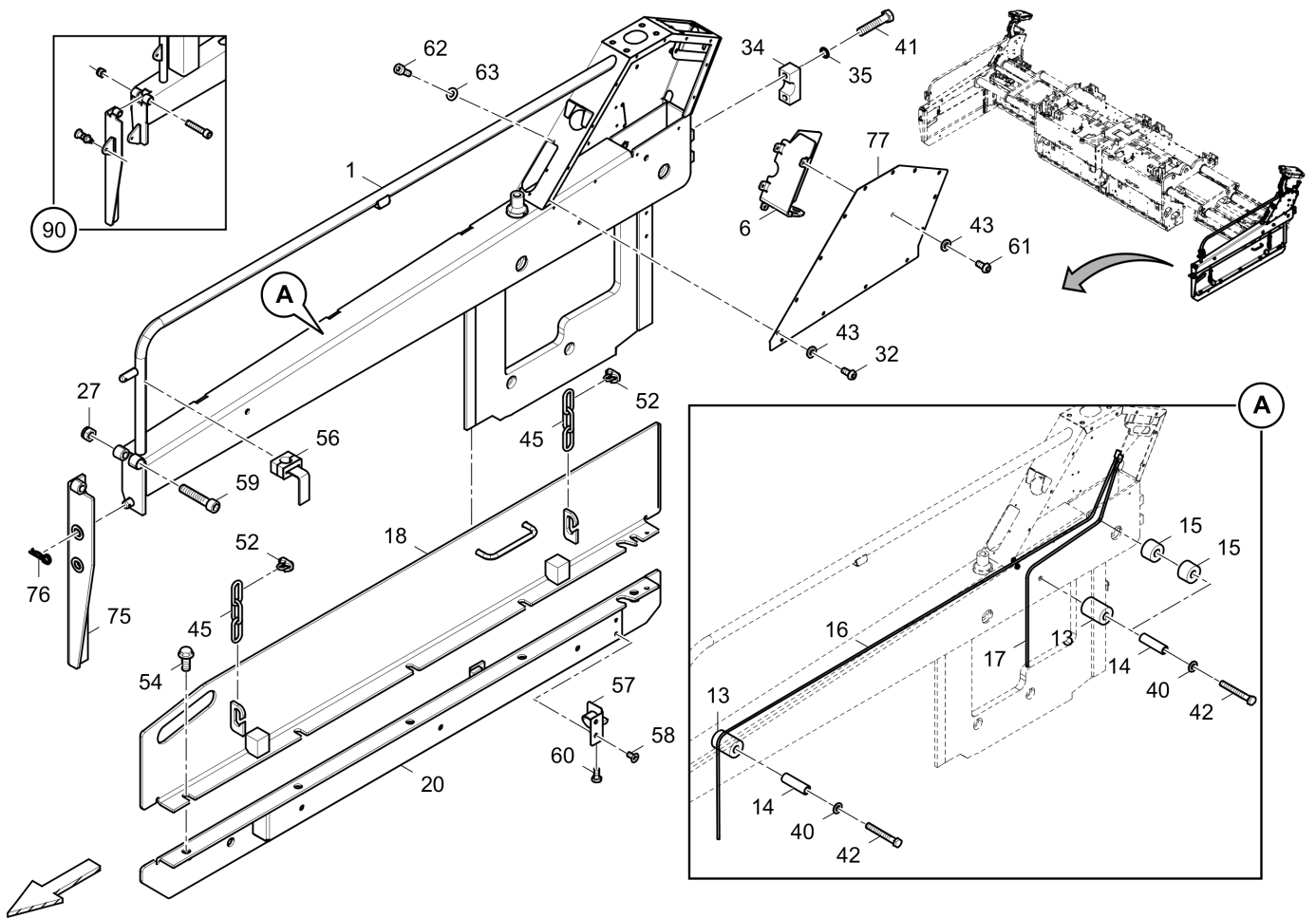
Wed Oct 07 08:24:20 UTC 2020

---

Referenced Pages

4812201086 Kit, for the front pin ..... 590

**End plate, l.h. 4812231381 End plate, l.h.**



Refer to Parts Online for the most up to date information. The printed information might be outdated.

Wed Oct 07 08:24:26 UTC 2020

---

Referenced Pages

4720003740 Safety lock ..... 476

Item	Part No.	Name	Qty	L	C	SN INFO
62	4749302415	Rope clamp	2			
63	D938590011	Washer	2			
64	4720003740	Safety lock	1			
65	D814408020	Dovetail	1			
66	0301233500	Plain washer	1			
67	D499018630	Screw	1			
68	0216195725	Screw	2			
69	4812231178	Clamping pipe	1			
70	0211110424	Hexagon socket head cap screw	1			
71	0215000620	Hexagon socket button head screw	1			
72	4812234446	Spindle	1			
73	4812234447	Spindle	1			
74	4812161897	Paver Grease / 1 cartridge	1			
75	4812235674	Holding device	1			
76	4812232734	Cover plate	1			
77	4749300213	Spring cotter	1			
78	4812236172	Shim	3			
90	4812201086	Kit, for the front pin	1			

---

Referenced Pages

4812015936 Harness W15.5	375
4812015919 Harness W15.6	376
4812016952 Harness W15.7	377
4812015937 Harness W16.5	378
4812015927 Harness W16.6	379
4812016965 Harness W16.7	380

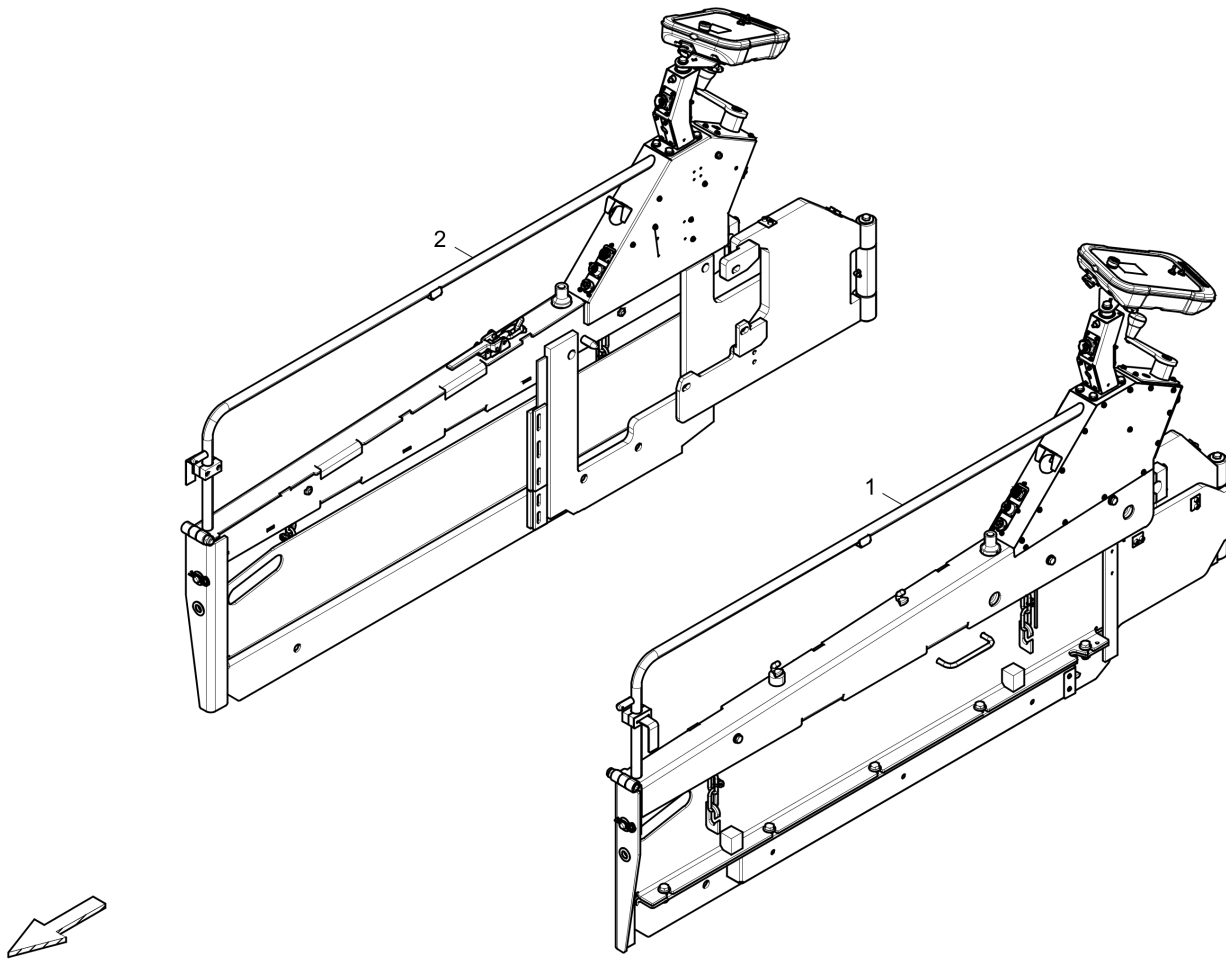
Referenced Pages

4812015940 Electric, side shield	615
----------------------------------	-----

---

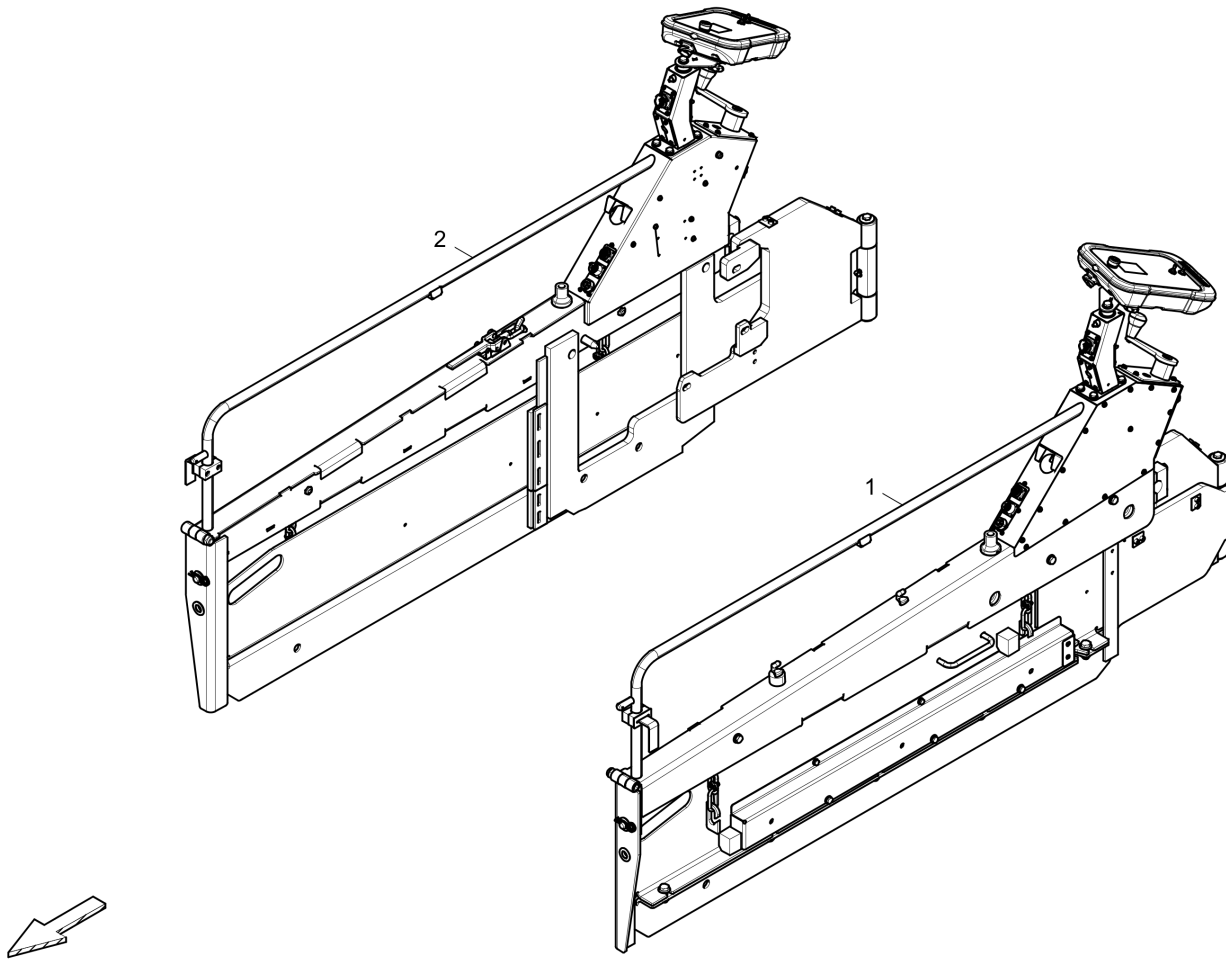
Referenced Pages

4812234689 Hinge, l.h. .... 518

**End plate, l.h. & r.h. heated** 4812235446 End plate, l.h. & r.h. heated

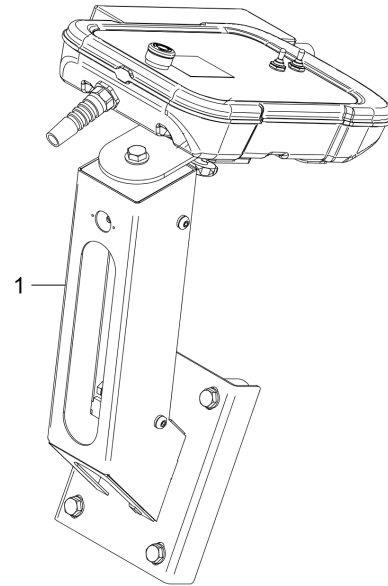
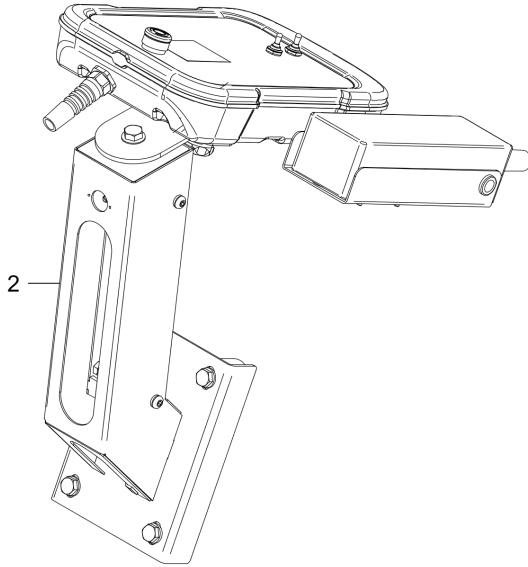
Item	Part No.	Name	Qty	L	C	SN INFO
1	4812235444	End plate, l.h.	1			
2	4812235443	End plate, r.h.	1			

Item	Part No.	Name	Qty	L	C	SN INFO
56	4812232920	Receptacle plate	1			
57	0291111000	Lock nut	1			
58	0147141103	Hex. head screw M12 x 80	1			
59	4749900481	Cup spring	2			
60	0266211200	Hexagon nut	2			
61	D930429155	Star grip screw	1			
62	D935511210	Grease nipple	1			
63	D814408020	Dovetail	1			
64	0301233500	Plain washer	1			
65	0147120403	Screw	4			
66	4720003740	Safety lock	1			
67	0333317507	Schnorr-lock washer	4			
68	0215000620	Hexagon socket button head screw	1			
69	4812232734	Cover plate	1			
70	4812235681	Holding device	1			
71	0211110424	Hexagon socket head cap screw	1			
72	5730007656	Hexagon nut	3			
73	4749300213	Spring cotter	1			
74	4812231214	Clamping pipe	1			
75	D499018630	Screw	1			
76	0216195725	Screw	2			
77	4812035201	Eccentric lock	1			
78	0216195773	Countersunk screw	1			
79	4812161897	Paver Grease / 1 cartridge	1			

**End plate, l.h. & r.h. heated** 4812235452 End plate, l.h. & r.h. heated

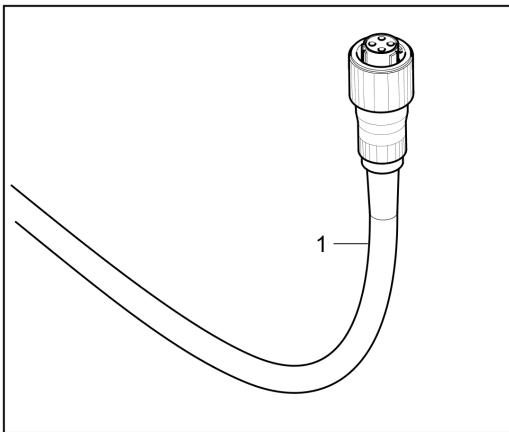
Item	Part No.	Name	Qty	L	C	SN INFO
1	4812235451	End plate, l.h.	1			
2	4812235450	End plate, r.h.	1			

Item	Part No.	Name	Qty	L	C	SN INFO
56	4812232920	Receptacle plate	1			
57	0291111000	Lock nut	1			
58	0147141103	Hex. head screw M12 x 80	1			
59	4749900481	Cup spring	2			
60	0266211200	Hexagon nut	2			
61	D930429155	Star grip screw	1			
62	D935511210	Grease nipple	1			
63	D814408020	Dovetail	1			
64	0301233500	Plain washer	1			
65	0147120403	Screw	4			
66	4720003740	Safety lock	1			
67	0333317507	Schnorr-lock washer	4			
68	0215000620	Hexagon socket button head screw	1			
69	4812232734	Cover plate	1			
70	4812235681	Holding device	1			
71	0211110424	Hexagon socket head cap screw	1			
72	5730007656	Hexagon nut	3			
73	4749300213	Spring cotter	1			
74	4812231214	Clamping pipe	1			
75	4812231563	Cover	1			
76	0147132003	Hex. head screw	3			
77	D499018630	Screw	1			
78	0216195725	Screw	2			
79	4812035201	Eccentric lock	1			
80	0216195773	Countersunk screw	1			
81	4812161897	Paver Grease / 1 cartridge	1			

**Conversion kit ex. operating unit 4812012671 Conversion kit ex. operation**

Item	Part No.	Name	Qty	L	C	SN INFO
1	4812032140	Conversion kit ex. operation, l.h.	1			
2	4812032141	Conversion kit ex. operation, r.h.	1			

**Electric** 4812007511 Electric, metering element



Item	Part No.	Name	Qty	L	C	SN INFO
1	4812006760	Harness W5	1			
2	4812045649	Distance sensor	2			

CLICK HERE TO **DOWNLOAD** THE COMPLETE MANUAL

- Thank you very much for reading the preview of the manual.
- You can download the complete manual from: [www.heydownloads.com](http://www.heydownloads.com) by clicking the link below



- Please note: If there is no response to CLICKING the link, please download this PDF first and then click on it.

CLICK HERE TO **DOWNLOAD** THE COMPLETE MANUAL