

Parts Catalogue

DFP7AX Forward Plate

Engine : Honda GX 120 - CARB Phase III



No. DL00825417 | 2022-01-04

© 2022 Dynapac GmbH

*Your Partner
on the Road Ahead*

CLICK HERE TO **DOWNLOAD** THE COMPLETE MANUAL

- Thank you very much for reading the preview of the manual.
- You can download the complete manual from: www.heydownloads.com by clicking the link below



- Please note: If there is no response to CLICKING the link, please download this PDF first and then click on it.

CLICK HERE TO **DOWNLOAD** THE COMPLETE MANUAL

Forward Plate DFP7AX

| Item | Part No. | Qty | Name | SN INFO |
|------|------------|-----|--------------------------|---------|
| KIT | 4812216980 | 1 | Repair kit, transmission | |
| 1 | DL05650122 | 1 | Centrifugal clutch | |
| 2 | DL92410581 | 1 | V-belt | |
| 3 | DL09181604 | 1 | Fitting key | |
| 4 | DL23010173 | 1 | V-belt pulley | |
| 5 | DL23010132 | 1 | Washer | |
| 6 | DL07230819 | 1 | Socket-head cap screw | |

Refer to Parts Online for the most up to date information. The printed information might be outdated.

Thu Dec 30 11:52:47 UTC 2021

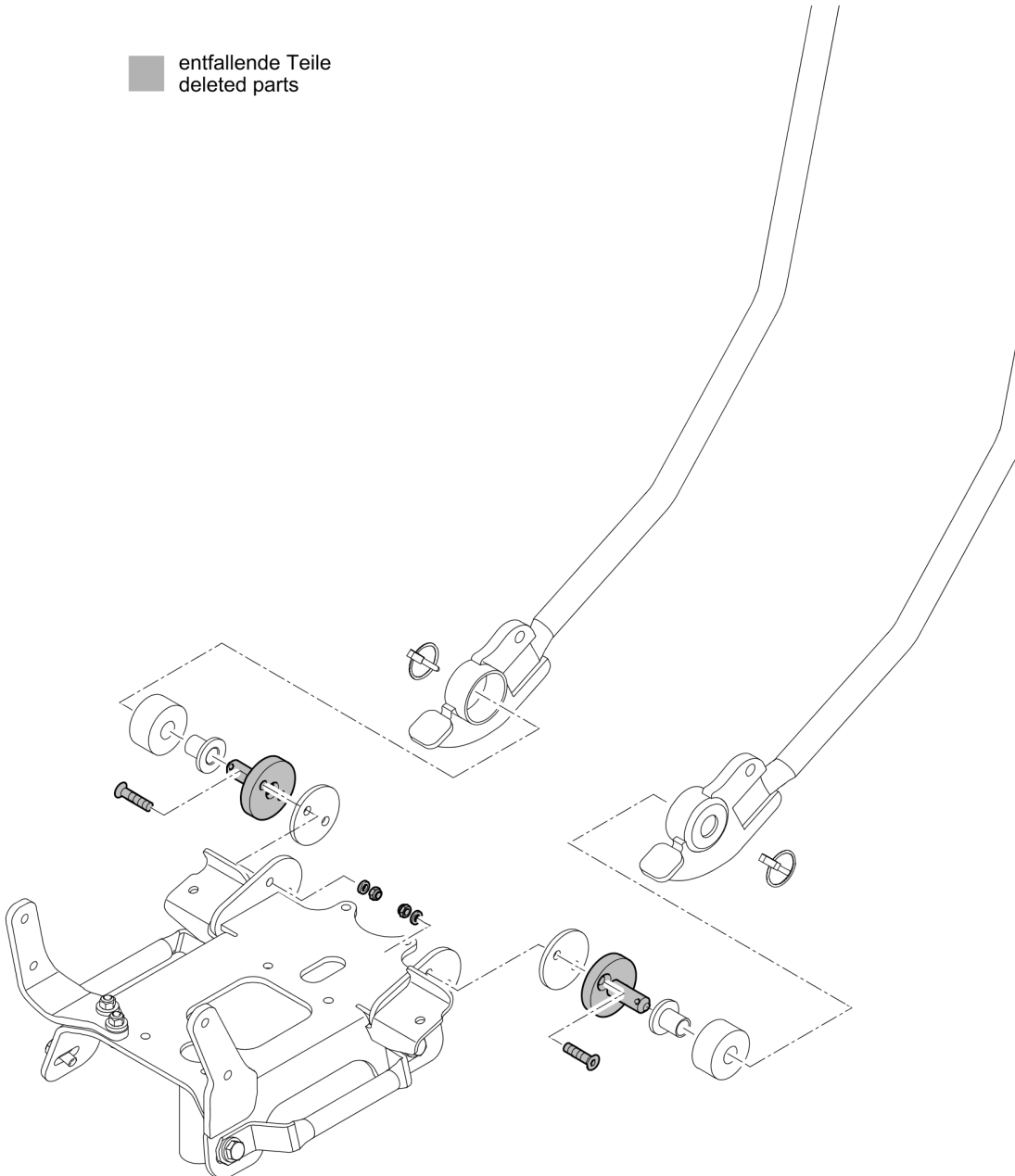
Forward Plate DFP7AX

| Item | Part No. | Qty | Name | SN INFO |
|------|------------|-----|---------------------------|---------|
| KIT | 4812071373 | 1 | Refurbishing kit - decals | |
| 1 | DL00832998 | 1 | Decal,maintenance instr. | |
| 2 | DL00833000 | 1 | Decal,operation | |
| 3 | DL00833833 | 1 | Decal,indication | |
| 4 | DL00833226 | 1 | Decal,indication | |
| 5 | DL05050358 | 1 | Decal,indication | |
| 6 | DL05050359 | 1 | Decal,indication | |
| 7 | DL00832651 | 1 | Decal,indication | |
| 8 | DL00833653 | 1 | Decal,indication | |
| 9 | DL92410412 | 1 | Type designation | |
| 10 | DL92410221 | 1 | Decal | |
| 11 | DL00833968 | 1 | Warning sign | |

Forward Plate DFP7AX

Field kits DL92401007 T1- Transport wheels

entfallende Teile
deleted parts



Forward Plate DFP7AX

| Item | Part No. | Qty | Name | SN INFO |
|------|------------|-----|-----------------------|---------|
| 1 | DL05748597 | 1 | Crankcase | |
| 2 | DL05747185 | 1 | Ball bearing,grooved | |
| 3 | DL05748598 | 1 | Radial seal | |
| 4 | DL05747376 | 1 | Governor / controller | |
| 5 | DL05747266 | 2 | Weight | |
| 6 | DL05747209 | 1 | Holder | |
| 7 | DL05747346 | 2 | Pin | |
| 8 | DL05747226 | 1 | Spool valve | |
| 9 | DL05747347 | 1 | Shaft | |
| 10 | DL05747180 | 2 | Drain plug | |
| 11 | DL05747129 | 2 | Gasket, oil drain | |
| 12 | DL05747233 | 1 | Thrust disc | |
| 13 | DL05747377 | 1 | Spring ring | |
| 14 | DL05747188 | 1 | Loop ring | |
| 15 | DL05747379 | 1 | Collar nut | |
| 16 | DL05747348 | 2 | Washer | |
| 17 | DL05747349 | 1 | Spring cotter | |
| 18 | DL05747380 | 2 | Screw | |
| 19 | DL05748599 | 1 | Oil pressure switch | |

CLICK HERE TO **DOWNLOAD** THE COMPLETE MANUAL

- Thank you very much for reading the preview of the manual.
- You can download the complete manual from: www.heydownloads.com by clicking the link below



- Please note: If there is no response to CLICKING the link, please download this PDF first and then click on it.

CLICK HERE TO **DOWNLOAD** THE COMPLETE MANUAL

Forward Plate DFP7AX

| Item | Part No. | Qty | Name | SN INFO |
|------|------------|-----|--------------------|---------|
| 1 | DL05747464 | 1 | Rubber,supporter | |
| 2 | DL05747161 | 1 | Filter,fuel | |
| 3 | DL05748913 | 1 | Fuel tank complete | |
| 4 | DL05748914 | 1 | Tank cover | |
| 5 | DL05748593 | 1 | Gasket, tank cover | |
| 6 | DL05748568 | 1 | Hexagon bolt | |
| 7 | DL05747188 | 1 | Loop ring | |
| 8 | DL05748915 | 1 | Fuel hose | |
| 9 | DL05747312 | 2 | Collar nut | |
| 10 | DL05748570 | 2 | Hose clip | |

Forward Plate DFP7AX

| Item | Part No. | Qty | Name | SN INFO |
|------|------------|-----|--------------------|---------|
| 1 | DL05748625 | 1 | Engine cover | |
| 2 | DL05747408 | 1 | Rubber grommet | |
| 3 | DL05748626 | 1 | Side plate | |
| 4 | DL05747327 | 1 | Cover | |
| 5 | DL05748627 | 1 | Oil alarm unit | |
| 6 | DL05748628 | 1 | Engine stop switch | |
| 7 | DL05747322 | 6 | Hexagon bolt | |
| 8 | DL05747325 | 1 | Screw | |
| 9 | DL05747648 | 1 | Cable clip | |
| 10 | DL05747318 | 1 | Screw | |

Forward Plate DFP7AX

| Item | Part No. | Qty | Name | SN INFO |
|------|------------|-----|----------------------|---------|
| 0 | DL05650122 | 1 | Centrifugal clutch | |
| 1 | DL05660548 | 1 | Belt pulley | |
| 2 | DL05113306 | 1 | Ball bearing,grooved | |
| 3 | DL05660215 | 1 | Spring ring | |
| 4 | DL05660777 | 1 | Circlip | |
| 5 | DL05660459 | 1 | Hub | |
| 6 | DL05660214 | 2 | Centrifugal weight | |
| 7 | DL05660174 | 2 | Support with lining | |
| 8 | DL05660366 | 4 | Tension spring | |
| 9 | DL05660134 | 2 | Cover disc | |
| 10 | DL05660807 | 2 | Circlip,external | |

Forward Plate DFP7AX

| Item | Part No. | Qty | Name | SN INFO |
|-------|------------|------|-----------------------|---------|
| 1 | DL23003471 | 1 | Water tank, assembled | |
| 2 | DL23003273 | 1 | Plate | |
| 3 | DL23003440 | 1 | Tapped plate | |
| 4 | DL07210616 | 3 | Pens head scew | |
| 5 | DL08621064 | 3 | Washer | |
| 6 | DL00652070 | 2.00 | Expanded rubber | |
| 7 | DL06144100 | 2 | Stop buffer | |
| 8 | DL08752084 | 2 | Spring washer | |
| 9 | DL08130813 | 2 | Safety nut | |
| 10 | DL92410189 | 1 | Decal | |
| 52.17 | - | | Protection Bow | |

Forward Plate DFP7AX

| Item | Part No. | Qty | Name | SN INFO |
|--------|------------|-----|-------------------------|---------|
| 0 | DL23010020 | | Exciter Unit, assembled | |
| 1 | DL05114078 | 1 | Ball bearing,grooved | |
| 2 | DL05115078 | 1 | Ball bearing,grooved | |
| 3 | DL05428122 | 1 | Inner ring | |
| 4 | DL06510380 | 1 | Locking cap | |
| 5 | DL07230819 | 1 | Socket-head cap screw | |
| 6 | DL07611616 | 1 | Magnetic plug | |
| 7 | DL09181604 | 1 | Fitting key | |
| 8 | DL09224400 | 1 | Circlip,internal | |
| 9 | DL09312808 | 1 | Radial seal | |
| 10 | DL23010162 | 1 | Exciter shaft | |
| 11 | DL23010174 | 1 | Exciter housing | |
| 12 | DL23010173 | 1 | V-belt pulley | |
| 13 | DL23010132 | 1 | Washer | |
| 14 | DL23010157 | 1 | Seal | |
| 15 | DL07231661 | 3 | Socket-head cap screw | |
| 16 | DL06270014 | 3 | Wedge safety washer | |
| 17 | DL23010158 | 1 | Bushing | |
| 65.05 | - | | Base Plate | |
| 194.08 | - | | Service kit | |

Forward Plate DFP7AX



| Item | Part No. | Qty | Name | SN INFO |
|-------|------------|-----|--------------------|---------|
| 1 | DL23003429 | 2 | Holder | |
| 2 | DL88003146 | 2 | Band, belt | |
| 3 | DL07140842 | 4 | Hexagon bolt | |
| 4 | DL08500823 | 4 | Round anchor plate | |
| 5 | DL08510817 | 4 | Washer | |
| 6 | DL08130813 | 4 | Safety nut | |
| 7 | DL23060325 | 4 | Buffer | |
| 8 | DL23003422 | 1 | Steering handle | |
| 9 | DL07141017 | 4 | Hexagon bolt | |
| 10 | DL08501028 | 4 | Washer | |
| 12.12 | | | Engine Carrier | |
| 52.16 | | | Steering Handle | |

Refer to Parts Online for the most up to date information. The printed information might be outdated.

Thu Dec 30 11:53:14 UTC 2021

CLICK HERE TO **DOWNLOAD** THE COMPLETE MANUAL

- Thank you very much for reading the preview of the manual.
- You can download the complete manual from: www.heydownloads.com by clicking the link below



- Please note: If there is no response to CLICKING the link, please download this PDF first and then click on it.

CLICK HERE TO **DOWNLOAD** THE COMPLETE MANUAL