

# Parts Catalogue

## DFP11 Forward Plate

Engine : Honda GX 160 - CARB Phase III



No. DL00825419 | 2022-01-04

© 2022 Dynapac GmbH

*Your Partner  
on the Road Ahead*

CLICK HERE TO **DOWNLOAD** THE COMPLETE MANUAL

- Thank you very much for reading the preview of the manual.
- You can download the complete manual from: [www.heydownloads.com](http://www.heydownloads.com) by clicking the link below



- Please note: If there is no response to CLICKING the link, please download this PDF first and then click on it.

CLICK HERE TO **DOWNLOAD** THE COMPLETE MANUAL

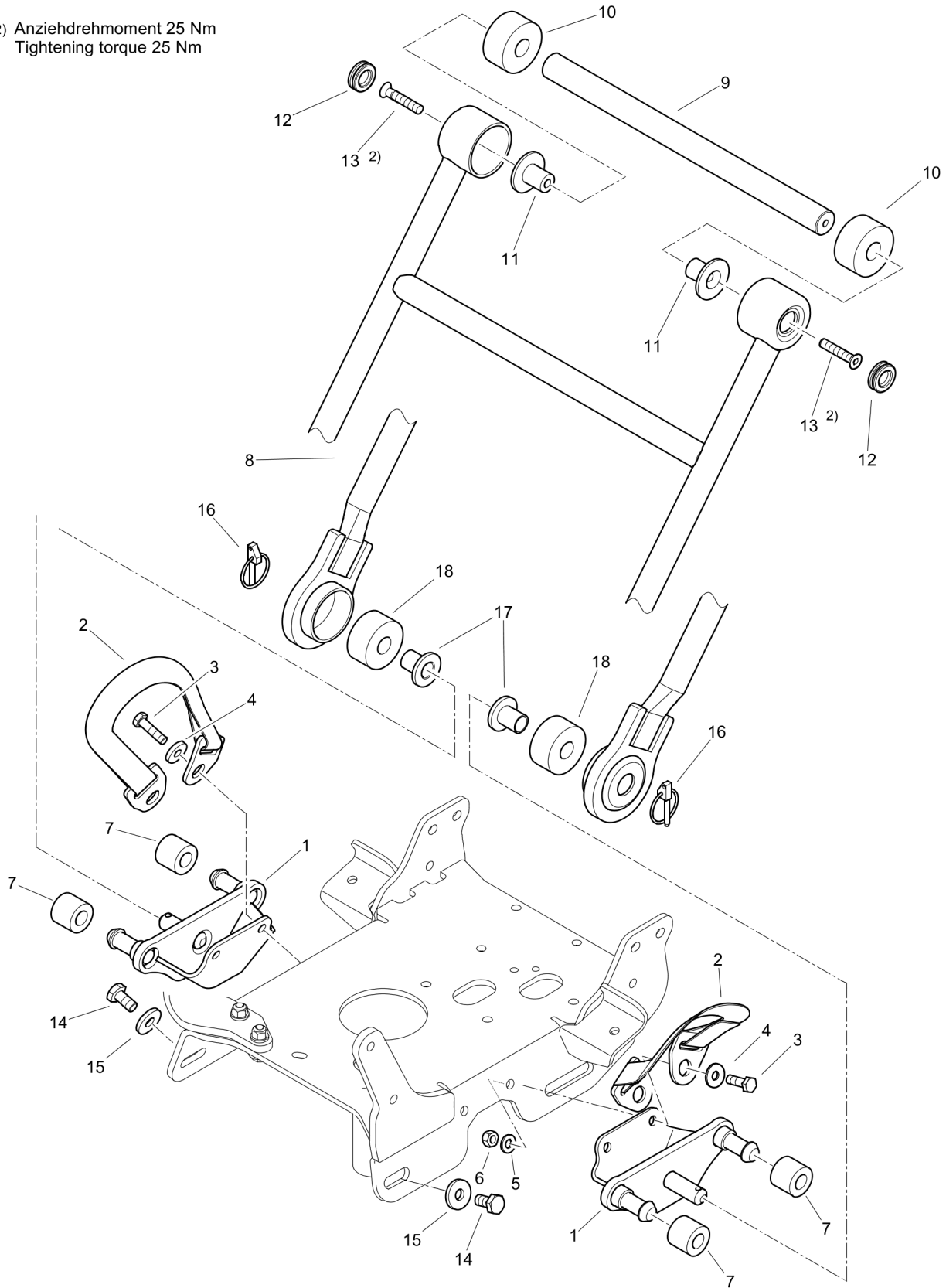
# Forward Plate DFP11

| Item | Part No.   | Qty | Name                     | SN INFO |
|------|------------|-----|--------------------------|---------|
| KIT  | 4812216977 | 1   | Repair kit, transmission |         |
| 1    | DL05650122 | 1   | Centrifugal clutch       |         |
| 2    | DL92410581 | 1   | V-belt                   |         |
| 3    | DL09181604 | 1   | Fitting key              |         |
| 4    | DL23010140 | 1   | V-belt pulley            |         |
| 5    | DL23010132 | 1   | Washer                   |         |
| 6    | DL07230819 | 1   | Socket-head cap screw    |         |

# Forward Plate DFP11

| Item | Part No.   | Qty | Name                      | SN INFO |
|------|------------|-----|---------------------------|---------|
| KIT  | 4812071374 | 1   | Refurbishing kit - decals |         |
| 1    | DL00832998 | 1   | Decal,maintenance instr.  |         |
| 2    | DL00833000 | 1   | Decal,operation           |         |
| 3    | DL00833833 | 1   | Decal,indication          |         |
| 4    | DL00833226 | 1   | Decal,indication          |         |
| 5    | DL05050358 | 1   | Decal,indication          |         |
| 6    | DL05050359 | 1   | Decal,indication          |         |
| 7    | DL00832654 | 1   | Decal,indication          |         |
| 8    | DL00833653 | 1   | Decal,indication          |         |
| 9    | DL92410405 | 1   | Type designation          |         |
| 10   | DL92410221 | 1   | Decal                     |         |
| 11   | DL00833968 | 1   | Warning sign              |         |

2) Anziehdrehmoment 25 Nm  
Tightening torque 25 Nm



# Forward Plate DFP11

| Item  | Part No.             | Qty | Name                     | SN INFO |
|-------|----------------------|-----|--------------------------|---------|
| 11.00 | DL05747048_100<br>1E |     | Engine Parts List        |         |
| 11.01 | DLMOT015175_0<br>0   |     | Crankcase                |         |
| 11.02 | DLMOT015176_0<br>0   |     | Front Cover              |         |
| 11.08 | DLMOT015177_0<br>0   |     | Cylinder Head            |         |
| 11.09 | DLMOT015178_0<br>0   |     | Camshaft                 |         |
| 11.19 | DLMOT017193_0<br>0   |     | Crankshaft And Piston    |         |
| 11.21 | DLMOT015180_0<br>0   |     | Fuel Tank                |         |
| 11.22 | DLMOT018012_0<br>0   |     | Dry Air Filter           |         |
| 11.25 | DLMOT015182_0<br>0   |     | Throttle Control         |         |
| 11.26 | DLMOT017191_0<br>0   |     | Silencer                 |         |
| 11.31 | DLMOT015184_0<br>0   |     | Recoil Starter           |         |
| 11.44 | DLMOT015185_0<br>0   |     | Covering                 |         |
| 11.46 | DLMOT015186_0<br>0   |     | Contact Breaker/Ign.Coil |         |
| 11.53 | DLMOT017194_0<br>0   |     | Carburetor               |         |
| 12.12 | DL92410076_00        |     | Engine Carrier           |         |
| 12.13 | DL92410077_00        |     | Engine                   |         |
| 19.07 | DLEA002910_00        |     | Centrifugal Clutch       |         |

CLICK HERE TO **DOWNLOAD** THE COMPLETE MANUAL

- Thank you very much for reading the preview of the manual.
- You can download the complete manual from: [www.heydownloads.com](http://www.heydownloads.com) by clicking the link below



- Please note: If there is no response to CLICKING the link, please download this PDF first and then click on it.

CLICK HERE TO **DOWNLOAD** THE COMPLETE MANUAL

# Forward Plate DFP11

| Item | Part No.   | Qty | Name            | SN INFO |
|------|------------|-----|-----------------|---------|
| 1    | DL05748920 | 1   | Valve stem seal |         |
| 2    | DL05748961 | 1   | Camshaft        |         |
| 3    | DL05747139 | 1   | Return spring   |         |
| 4    | DL05748962 | 2   | Pushrod         |         |
| 5    | DL05747231 | 2   | Rocker arm      |         |
| 6    | DL05747404 | 2   | Tappet          |         |
| 7    | DL05747406 | 2   | Journal         |         |
| 8    | DL05748963 | 1   | Inlet valve     |         |
| 9    | DL05748964 | 1   | Outlet valve    |         |
| 10   | DL05747345 | 2   | Valve spring    |         |
| 11   | DL05747106 | 2   | Valve plate     |         |
| 12   | DL05747257 | 1   | Guide plate     |         |
| 13   | DL05747272 | 2   | Bolt            |         |
| 14   | DL05747354 | 2   | Adjustment nut  |         |

# Forward Plate DFP11

| Item  | Part No.   | Qty | Name               | SN INFO |
|-------|------------|-----|--------------------|---------|
| 1     | DL05742127 | 1   | Silencer           |         |
| 2     | DL05749156 | 1   | Muffler guard      |         |
| 3     | DL05747169 | 1   | Avoid-sparks       |         |
| 4     | DL05748624 | 1   | Exhaust gasket     |         |
| 5     | DL05747316 | 4   | Self tapping screw |         |
| 6     | DL05747317 | 1   | Self tapping screw |         |
| 7     | DL05747190 | 2   | Hexagon nut        |         |
| 12.13 |            |     | Engine             |         |

# Forward Plate DFP11

| Item  | Part No.   | Qty | Name            | SN INFO   |
|-------|------------|-----|-----------------|---|
| 1     | DL23030223 | 1   | Engine carrier  |   |
| 2     | DL07141020 | 4   | Hexagon bolt    |   |
| 3     | DL08752106 | 4   | Spring washer   |   |
| 4     | DL23030173 | 1   | Holder          |   |
| 5     | DL07140842 | 2   | Hexagon bolt    |   |
| 6     | DL08510817 | 2   | Washer          |   |
| 7     | DL23030205 | 1   | Stop            | DFP11 - from<br>101924241001 to<br>101924241036 |
| 7     | DL23030229 | 1   | Stop            | DFP11 - from<br>101924241037 ff.                |
| 8     | DL23030176 | 2   | Carrying handle |   |
| 9     | DL08590820 | 2   | Washer          |   |
| 10    | DL08130813 | 2   | Safety nut      |   |
| 65.05 | -          |     | Base Plate      |   |

# Forward Plate DFP11



| Item  | Part No.      | Qty | Name         | SN INFO                                      |
|-------|---------------|-----|--------------|--|
| 65.05 | DL92410075_00 |     | Base Plate   | SN - from<br>101924241001 to<br>101924241074 |
| 65.05 | DL23020007_01 |     | Base Plate   | SN - from<br>101924241075 ff.                |
| 65.06 | DL23010002_01 |     | Exciter Unit |  |

Refer to Parts Online for the most up to date information. The printed information might be outdated.

Mon Jan 03 04:58:21 UTC 2022

# Forward Plate DFP11

| Item | Part No.   | Qty | Name                     | SN INFO |
|------|------------|-----|--------------------------|---------|
| 2    | DL00832998 | 1   | Decal,maintenance instr. |         |
| 3    | DL00833000 | 1   | Decal,operation          |         |
| 4    | DL00833833 | 1   | Decal,indication         |         |
| 5    | DL00833226 | 1   | Decal,indication         |         |
| 6    | DL05050358 | 1   | Decal,indication         |         |
| 7    | DL05050359 | 1   | Decal,indication         |         |
| 8    | DL00832654 | 1   | Decal,indication         |         |
| 9    | DL00833653 | 1   | Decal,indication         |         |
| 10   | DL92410405 | 1   | Type designation         |         |
| 11   | DL92410221 | 1   | Decal                    |         |

# Forward Plate DFP11

| Item  | Part No.   | Qty  | Name                  | SN INFO |
|-------|------------|------|-----------------------|---------|
| 1     | DL23003471 | 1    | Water tank, assembled |         |
| 2     | DL23003273 | 1    | Plate                 |         |
| 3     | DL23003440 | 1    | Tapped plate          |         |
| 4     | DL07210616 | 3    | Pens head scew        |         |
| 5     | DL08621064 | 3    | Washer                |         |
| 6     | DL00652070 | 2.00 | Expanded rubber       |         |
| 7     | DL06144100 | 2    | Stop buffer           |         |
| 8     | DL08752084 | 2    | Spring washer         |         |
| 9     | DL08130813 | 2    | Safety nut            |         |
| 10    | DL92410189 | 1    | Decal                 |         |
| 52.17 | -          |      | Protection Bow        |         |

CLICK HERE TO **DOWNLOAD** THE COMPLETE MANUAL

- Thank you very much for reading the preview of the manual.
- You can download the complete manual from: [www.heydownloads.com](http://www.heydownloads.com) by clicking the link below



- Please note: If there is no response to CLICKING the link, please download this PDF first and then click on it.

CLICK HERE TO **DOWNLOAD** THE COMPLETE MANUAL