

- Catalogo RICAMBI
- SPARE PARTS Catalogue
- Catalogo de PIEZAS DE REPUESTO
- Catalogue de PIECES DETACHEES
- ERSATZTEILKATALOG

macchine edili ed agricole
d DIECI
S.r.l.

XRM 732



Servizio Assistenza Tecnica
Via E. Majorana, 2-4 - 42027 Montecchio Emilia (RE) ITALY
Tel. +39 0522 869611 - Fax S.A.T. +39 0522 869 744
www.dieci.com - E-mail: service@dieci.com

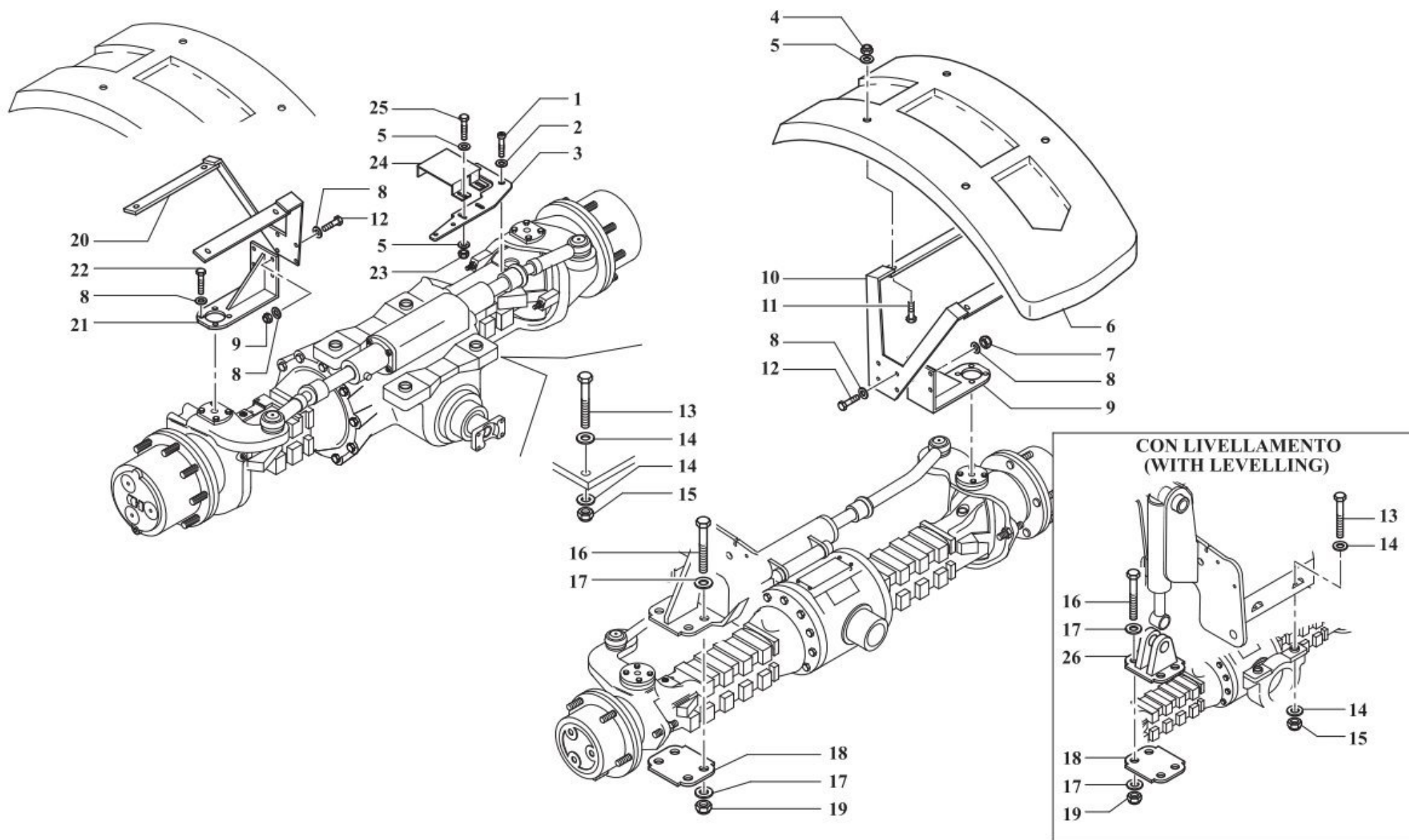
CLICK HERE TO **DOWNLOAD** THE COMPLETE MANUAL

- Thank you very much for reading the preview of the manual.
- You can download the complete manual from: www.heydownloads.com by clicking the link below



- Please note: If there is no response to CLICKING the link, please download this PDF first and then click on it.

CLICK HERE TO **DOWNLOAD** THE COMPLETE MANUAL



NUMERO TAVOLA
TABLE NUMBER
D10017

VERSIONE
VERSION
00
09/08/05

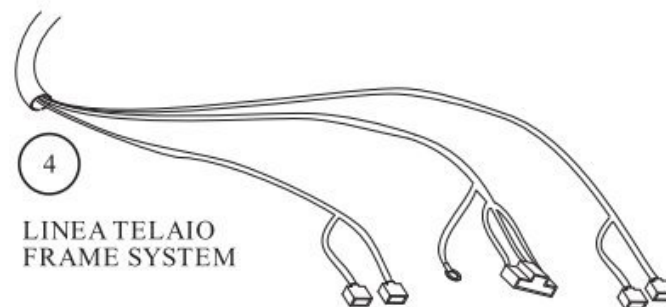
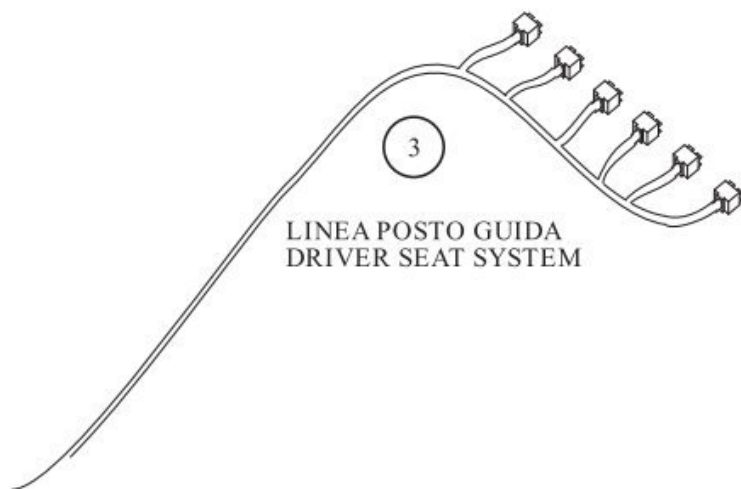
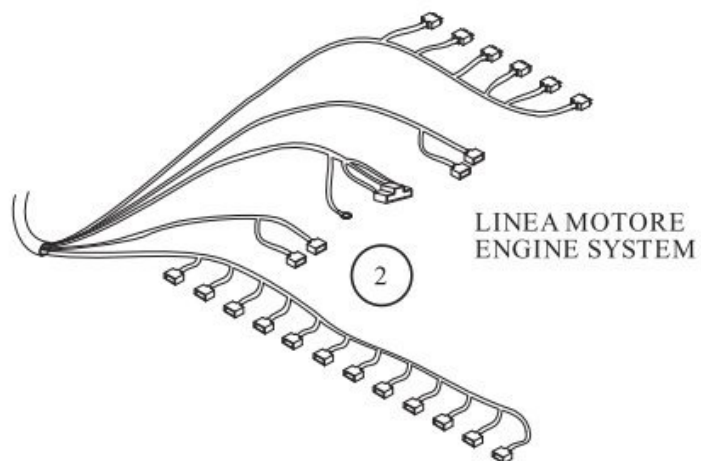
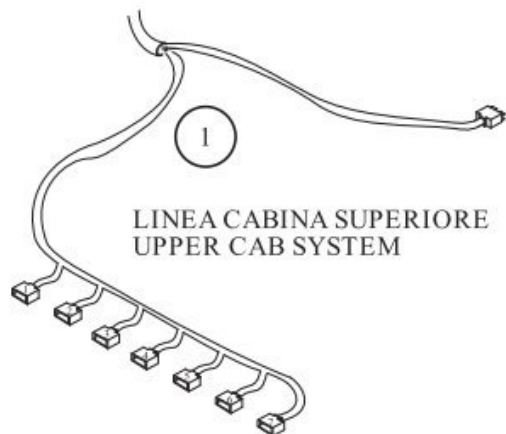
CODICE MACCHINA
MACHINE CODE
ZEUS



DESCRIZIONE:

PARAFANGHI E SUPPORTI
MUDGUARDS AND SUPPORTS
GARDE-BOUE ET SUPPORTS
GUARDABARROS Y SOPORTES
KOTFL GEL UND HALTERUNGEN

Table	Position	Code	Description	Qty
D20029	1	BXO1016	CAB	1
D20029	2	3E.1612061	HOUSING	1
D20029	3	BAL5112	WASHER	1
D20029	4	BAE2010	SCREW	1
D20029	5	3E.1612031	COVER	1
D20029	6	3E.1612038	COVER	1
D20029	7	BAE1250	SCREW	1
D20029	8	BAL5106	WASHER	1
D20029	9	3E.1612032	HOUSING	1
D20029	10	3E.1612045	TIRE	1
D20029	11	3E.1612022	FOOTBOARD	1
D20029	12	3E.1612062	COVER JOYSTICK	1
D20029	13	BSM3056	DOCUMENT FOLDER	1
D20029	14	3E.1612060	COVER	1
D20029	15	3E.1612059	COVER	1
D20029	16	AXB1322/50	DIAGRAMS	1



NUMERO TAVOLA
TABLE NUMBER
D30042

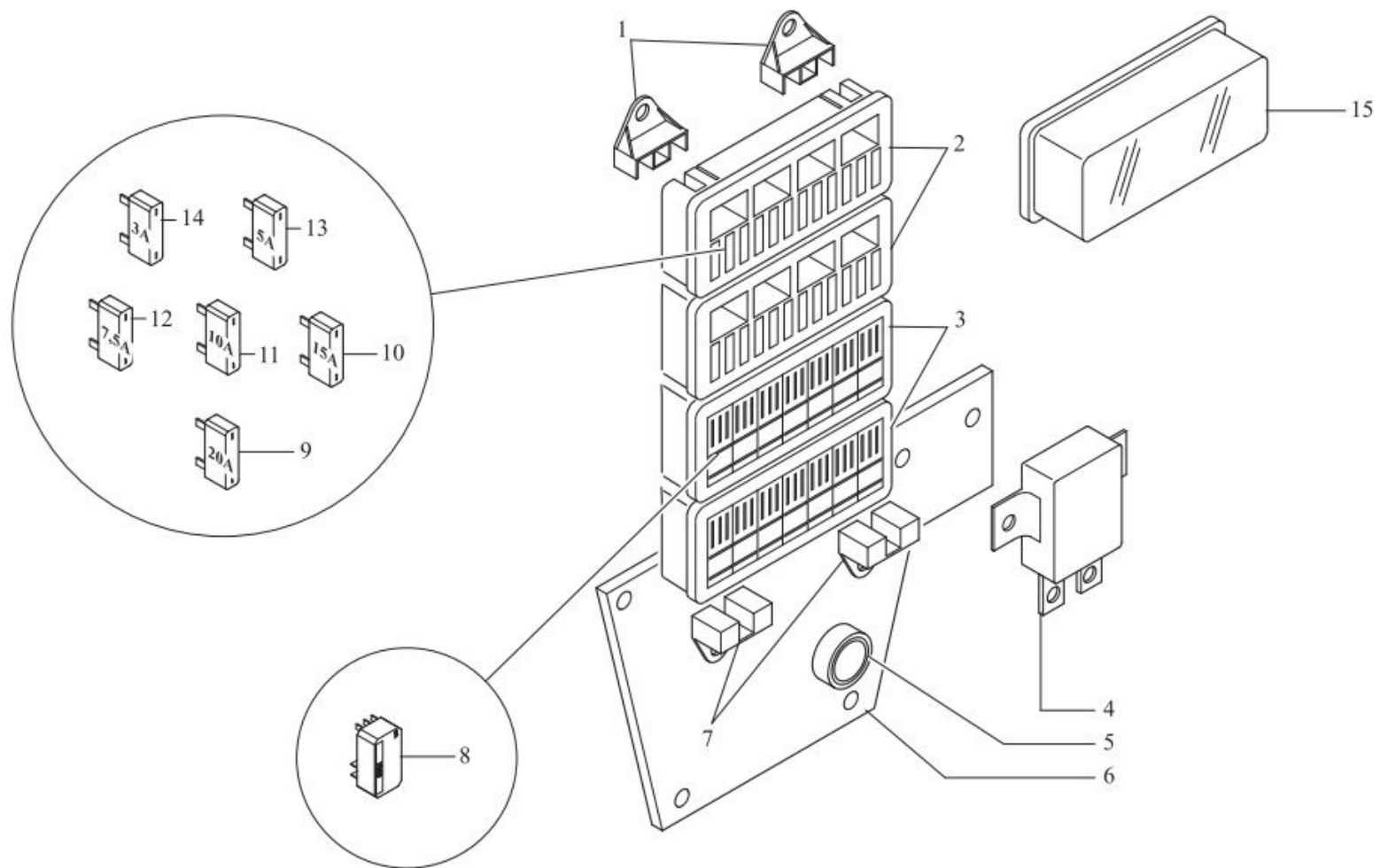
VERSIONE
VERSION
00
31/12/05

CODICE MACCHINA
MACHINE CODE
ZEUS



DESCRIZIONE:

LINEE ELETTRICHE
ELECTRICAL SYSTEMS
LIGNES ELECTRIQUES
LINEAS ELECTRICAS
ELEKTROANSCHLUESSE



NUMERO TAVOLA
TABLE NUMBER
D30032

VERSIONE
VERSION
00
31/12/05

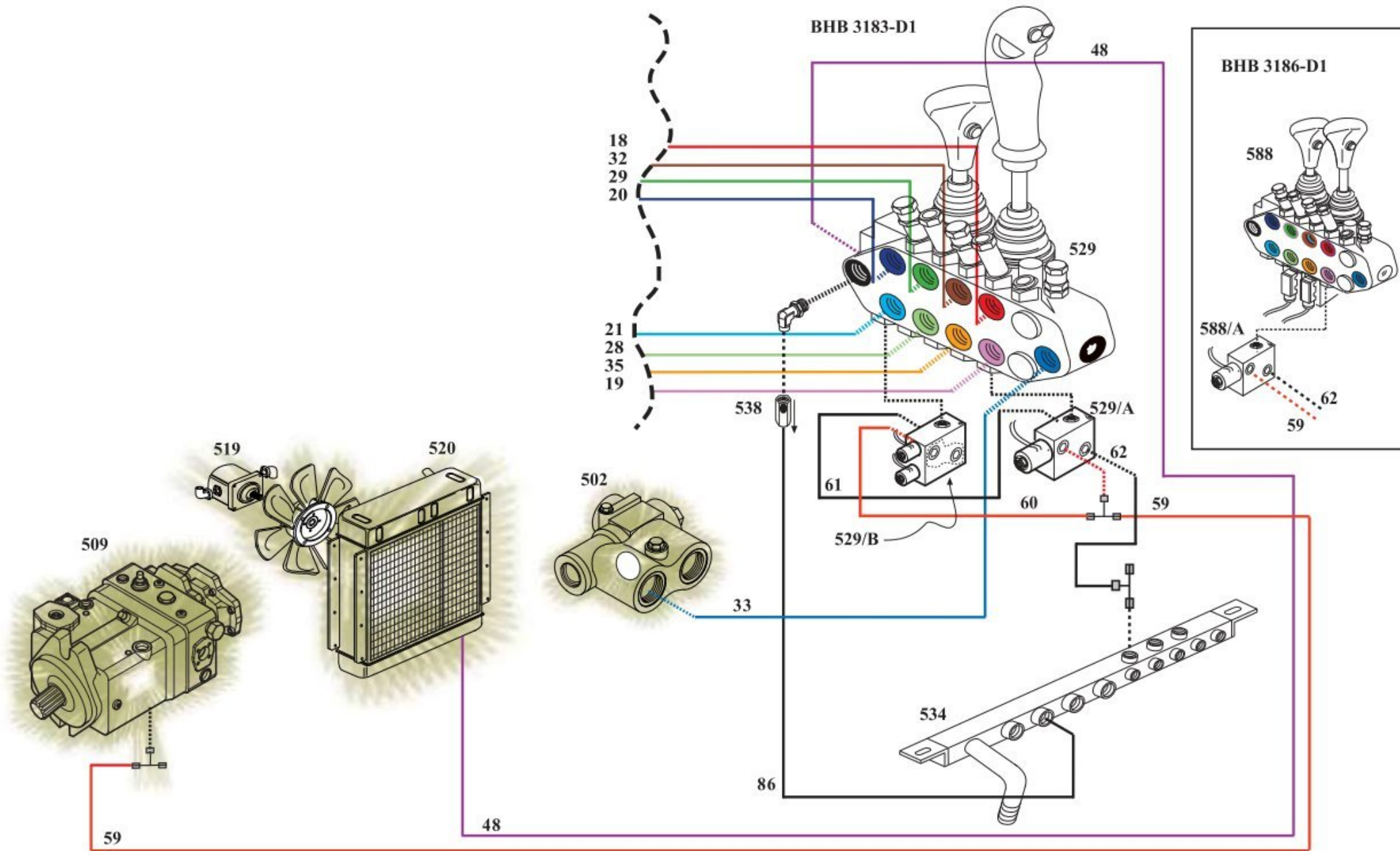
CODICE MACCHINA
MACHINE CODE
ZEUS

macchine edili ed agricole
d DIECI

DESCRIZIONE:

SCHEDA ELETTRICA
CARD ELECTRICAL WORKER
OUVRIER ÉLECTRIQUE DE CARTE
TRABAJADOR ELÉCTRICO DE LA TARJET
KARTE ELEKTRISCHER ARBEITER

Table	Position	Code	Description	Qty
40024	1	BCV8145	FORK HOLDER PLATE	1
40024	2	BUD5521	PIN	1
40024	3	BUD5522	PIN STOP	1
40024	4	BWH2165	REMARKS	1



NUMERO TAVOLA
TABLE NUMBER
D50061

VERSIONE
VERSION
00
09/08/05

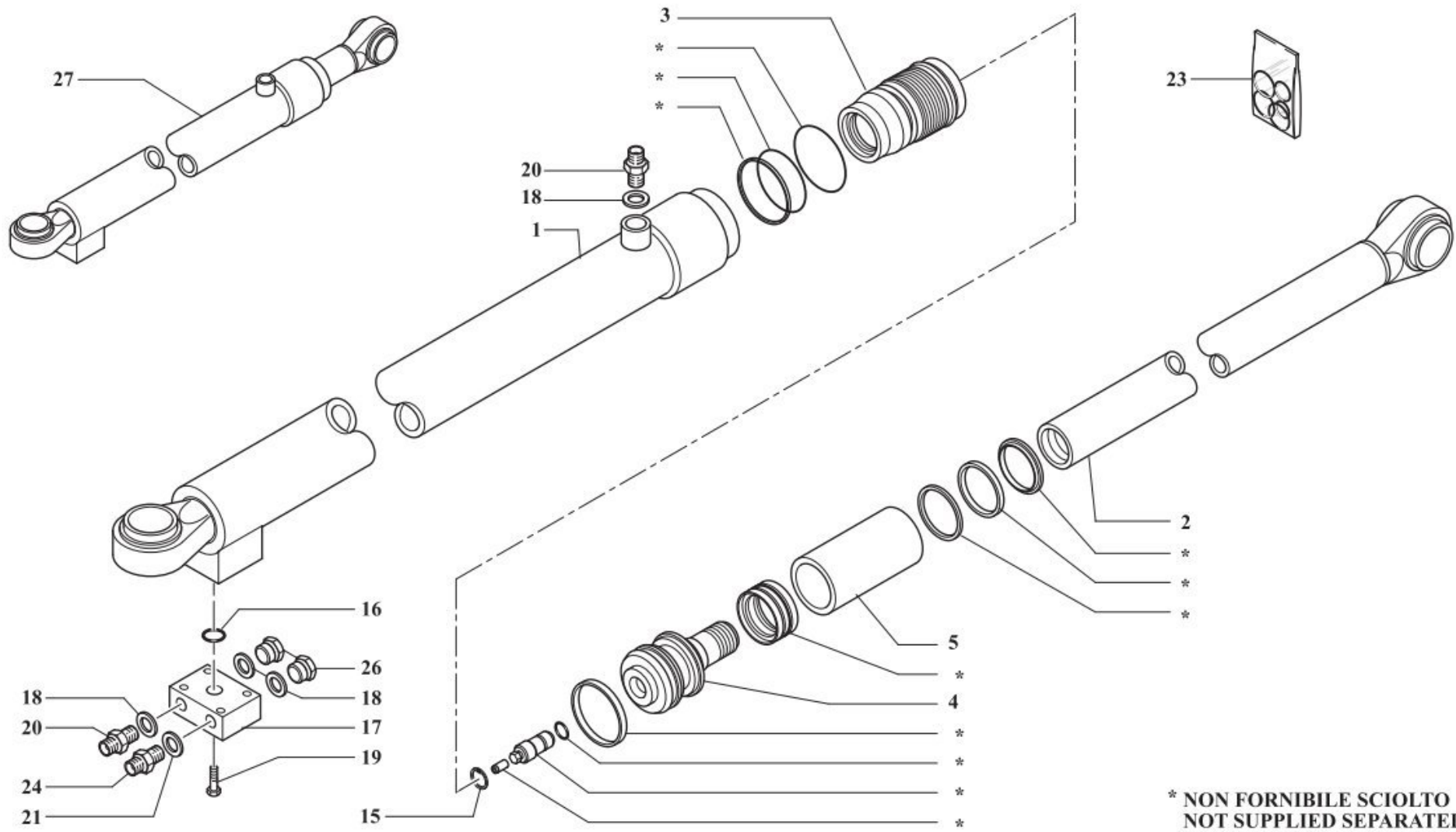
CODICE MACCHINA
MACHINE CODE
ZEUS

d macchine edili ed agricole
DIECI

DESCRIZIONE:

IMPIANTO IDRAULICO (DISTRIBUTORE DINOIL)
HYDRAULIC SYSTEM (DINOIL)
INSTALLATION HYDRAULIQUE (DINOIL)
CIRCUITO HIDRAULICO (DINOIL)
HYDRAULIKANLAGE (DINOIL)

Table	Position	Code	Description	Qty
50063	1	BHG4730	WASHER	1
50063	2	BWQ2129	SNAP RING	1
50063	3	BHE1413/LC	SOLENOID VALVE	1
50063	4	BHA0563	HOLLOW STUD	1
50063	5	BHA0856	PLUG BLUE	1
50063	6	BHA0861	PLUG RED	1
50063	12	BKE2000	GUARD	1
50063	151	BKV4550	FLEXIBLE PIPE	1
50063	152	BKV4560	FLEXIBLE PIPE	1
50063	153	BKF5600	FLEXIBLE PIPE	1
50063	154	BKF5590	FLEXIBLE PIPE	1
50063	155	BHF4650	FLEXIBLE PIPE	1
50063	545	BHM0105	CYLINDER	1
50063	546	BHA0859	RAPID COUPLING	1
50063	547	BHA0860	RAPID COUPLING	1
50063	578	BHB3162	SELECTOR	1
50063	579	BHE1368	VALVE	1
50063	581	BHM1302	CYLINDER	1



* NON FORNIBILE SCIOLTO
 NOT SUPPLIED SEPARATELY
 NICHT EINZELN LIEFERBAR


NUMERO TAVOLA TABLE NUMBER D60027	VERSIONE VERSION 00 10/08/05	CODICE MACCHINA MACHINE CODE ZEUS 35.10		DESCRIZIONE:	CILINDRO SFILO ESTERNO EXTERIOR EXTENSION CYLINDER CYLINDRE EXTENSION EXTERNE CILINDRO EXTENSION EXTERNO HUBZYLINDER AUSSERER TELESKOPMAST
--	--	---	---	--------------	--

Table	Position	Code	Description	Qty
70007	1	BHD0128	PUMP	1
70007	2	BHN1127	HYDROSTATIC MOTOR	1
70007	3	BHG4720	WASHER	1
70007	4	BHA0109	NIPPLE	1
70007	5	BVG2391	OR RING	1
70007	6	BAL3311	WASHER (SCHNORR)	1
70007	7	BHF2111	VALVE LOADSENSING	1
70007	8	BHD3111	PUMP	1
70007	9	2T.2060088	COUPLING	1
70007	10	2T.1035101	FLANGE	1
70007	11	2T.3213083	FLANGE	1
70007	12	BAL2209	WASHER	1
70007	13	BAA7254	SCREW	1
70007	14	BVG2619	O RING	1
70007	15	BHA0291	FITTING	1
70007	16	2T.2014001	WASHER	1
70007	17	BAA7254	SCREW	1
70007	18	BHA1499/F	T-UNION	1
70007	19	BHG4728/1	WASHER	1
70007	20	BHA0103/F	NIPPLE	1
70007	21	BHG4720	WASHER	1
70007	22	BHA0109	NIPPLE	1
70007	23	#	IN CODING PHASE	1
70007	24	BHA0403	FITTING	1
70007	25	BVG2382	OR RING	1
70007	26	BHA0974	FLANGE	1
70007	27	BKA0051	GAUGE CONNECTION	1
70007	28	BHA1910	FITTING	1
70007	29	BHA1470	FITTING	1
70007	30	BHG4733	WASHER	1
70007	31	BHA0175	NIPPLE	1
70007	32	BHA0914/F	FLANGE	1
70007	33	BKA0049	GAUGE CONNECTION	1
70007	34	BHG4731	WASHER	1

CLICK HERE TO **DOWNLOAD** THE COMPLETE MANUAL

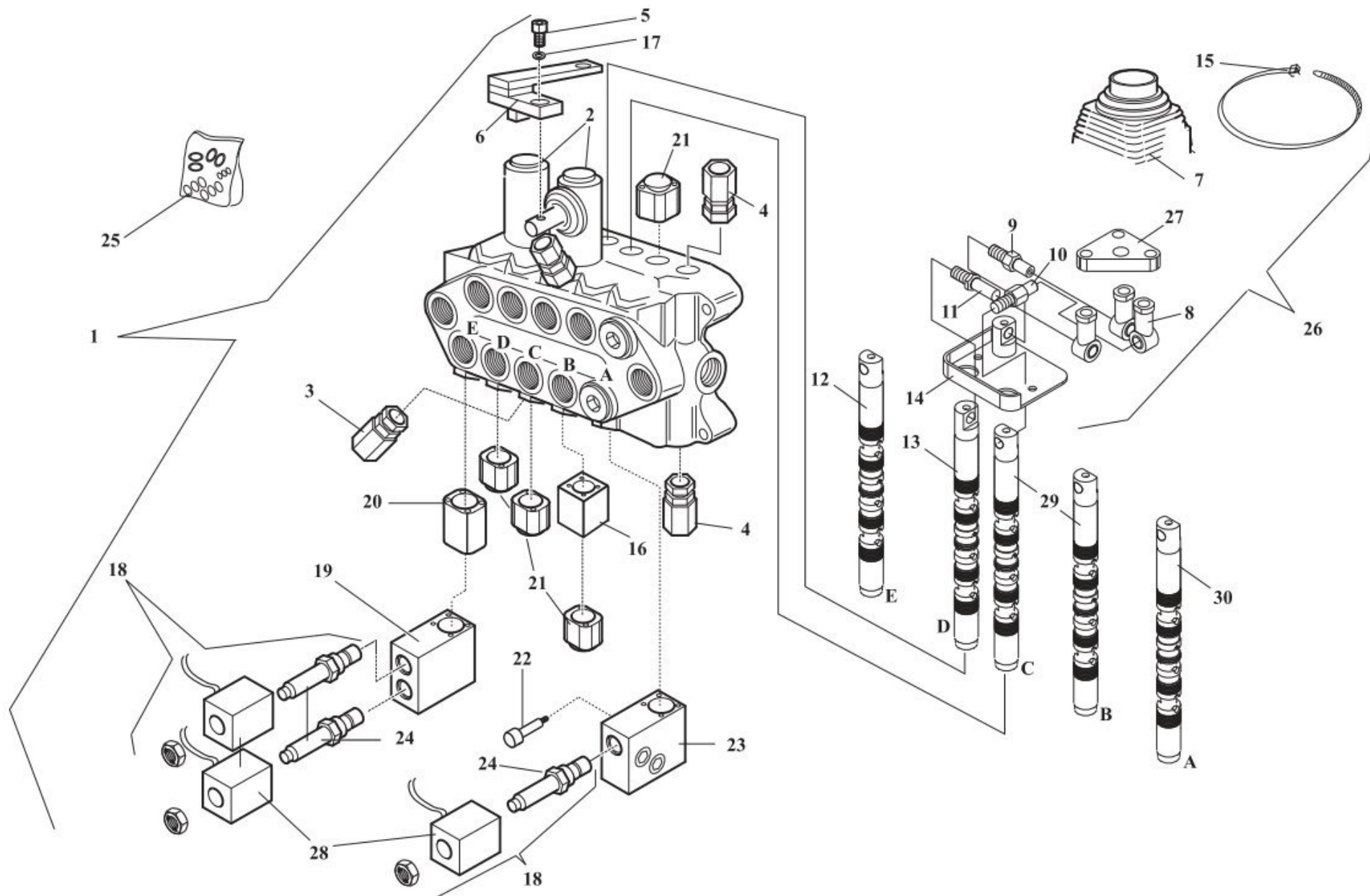
- Thank you very much for reading the preview of the manual.
- You can download the complete manual from: www.heydownloads.com by clicking the link below



- Please note: If there is no response to CLICKING the link, please download this PDF first and then click on it.

CLICK HERE TO **DOWNLOAD** THE COMPLETE MANUAL

Table	Position	Code	Description	Qty
70027	1	BHE1409/LC	BOBINA	1
70027	2	4H.551010001	CONNECTOR	1
70027	3	BHE1420/LC	KIT	1
70027	4	BHE1408/LC	SOMBRERETE	1
70027	5	BHA0128	NIPPLE	1
70027	6	BHG4730	WASHER	1
70027	7	BHA0101	NIPPLE	1
70027	8	BHG4723	WASHER	1
70027	9	BHB0202	DISTRIBUTOR	1
70027	10	BHE1417/LC	SOLENOID VALVE	1
70027	11	BHE1399/LC	KIT JUNTAS	1



NUMERO TAVOLA
TABLE NUMBER
D80005

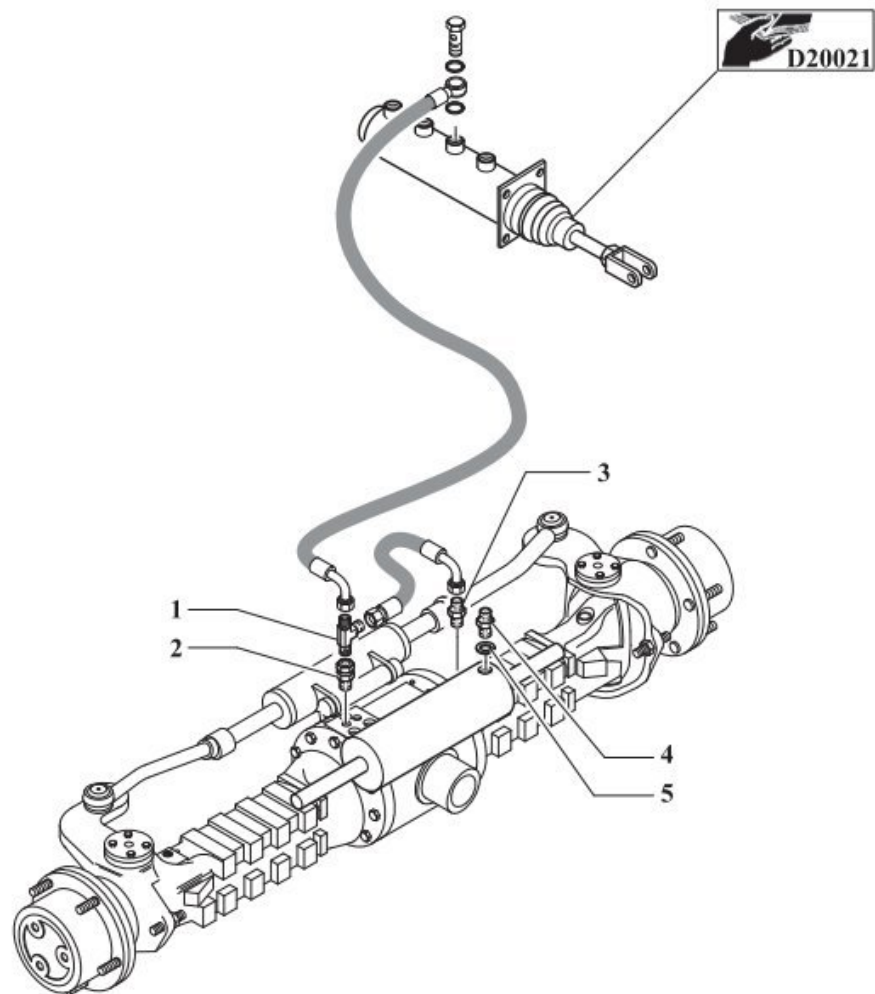
VERSIONE
VERSION
00
27/04/05

CODICE MACCHINA
MACHINE CODE
ZEUS



DESCRIZIONE:

DISTRIBUTORE DINOIL
DISTRIBUTOR DINOIL
DISTRIBUTEUR DINOIL
DISTRIBUIDOR DINOIL
STEUERSCHIEBER DINOIL



NUMERO TAVOLA
TABLE NUMBER
D90028

VERSIONE
VERSION
00
10/08/05

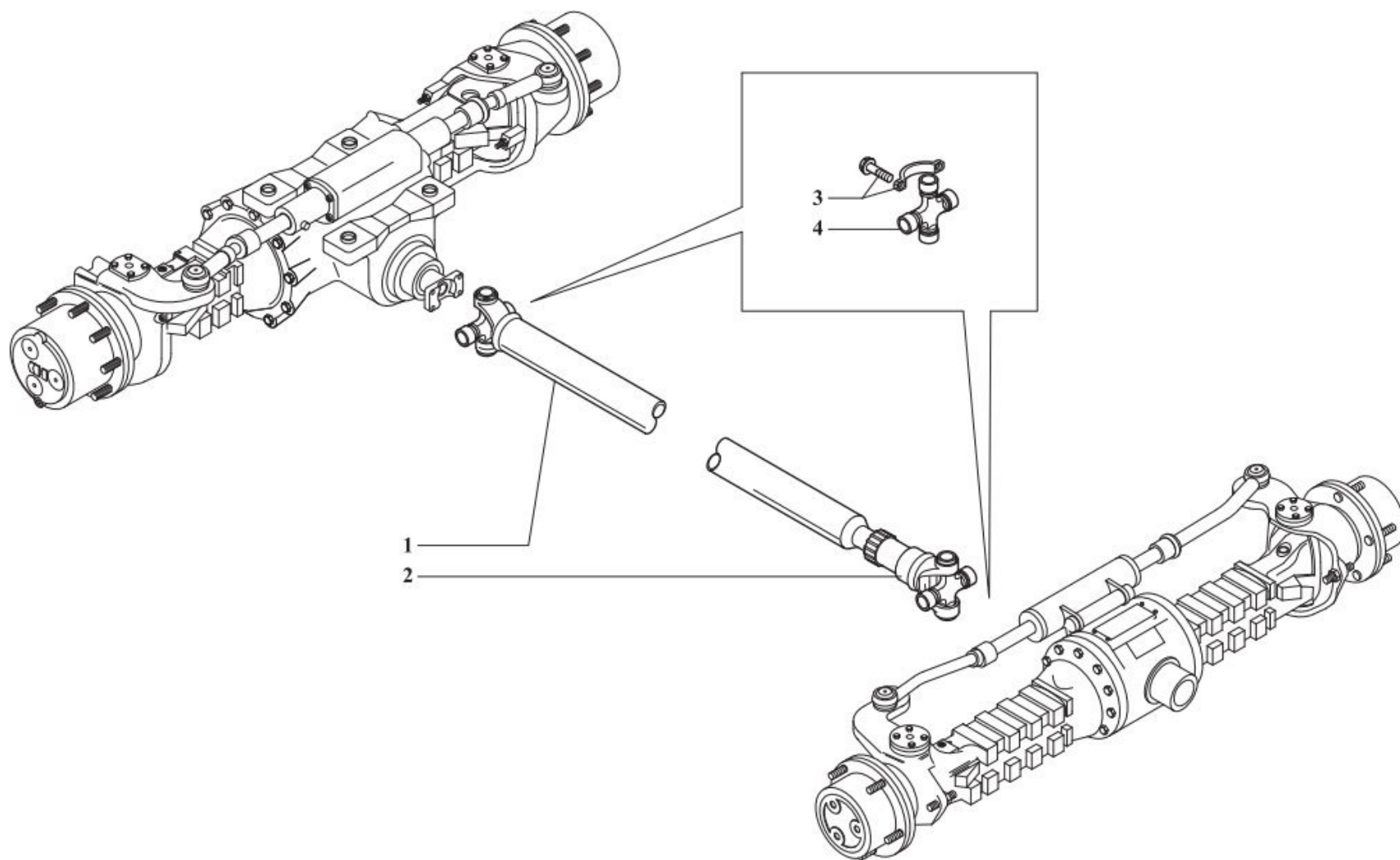
CODICE MACCHINA
MACHINE CODE
ZEUS

macchine edili ed agricole
d DIECI

DESCRIZIONE:

IMPIANTO DI FRENATURA
BRAKING SYSTEM
SYSTEME DE FREINAGE
SISTEMA DE FRENADO
BREMSSYSTEM

Table	Position	Code	Description	Qty
90032	1	BHC5027	AIR FILTER	1
90032	2	BKC6590	TUBE	1
90032	3	BHC1002	NUT	1
90032	4	BHC5023	EVACUATION VALVE	1
90032	5	BHC5028	CARTRIDGE	1
90032	6	BHC1004	GASKET	1
90032	7	BHC5029	CARTRIDGE	1
90032	8	BHC1008	COLLAR	1
90032	9	BHC1003	COVER	1
90032	11	BSH9142	COUPLING	1
90032	12	1F.04936137	INDICATOR	1
90032	13	BSH9148	COUPLING	1
90032	14	BAG4117	NUT	1
90032	15	BHC1001	SCREW	1
90032	16	BWF1119	CLAMP	1
90032	17	BWM1541	TUBE	1
90032	18	BAA7203	SCREW	1
90032	19	BAL5113	WASHER	1
90032	20	BS11047	STOPPER	1
90032	21	BHC1007	CLAMP	1
90032	22	BHC5038	INTAKE ELBOW	1
90032	23	BHC5033	INTAKE ELBOW	1
90032	24	BHC5034	INTAKE ELBOW	1
90032	25	BWF1104	CLAMP	1
90032	26	BWF1115	CLAMP	1
90032	27	BWF1115	CLAMP	1
90032	28	BHC1005	NUT	1
90032	29	BHC1006	GASKET	1



NUMERO TAVOLA
TABLE NUMBER
DA0069

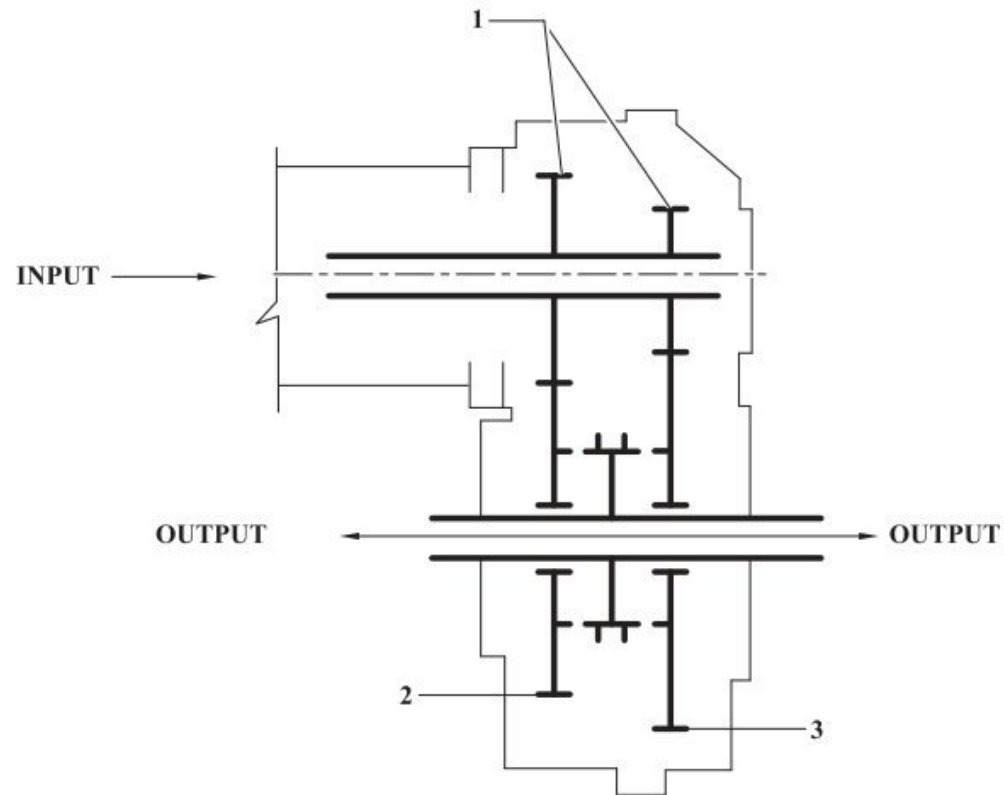
VERSIONE
VERSION
00
10/08/05

CODICE MACCHINA
MACHINE CODE
ZEUS

d DIECI
macchine edili ed agricole

DESCRIZIONE:

ALBERI DI TRASMISSIONE
TRANSMISSION SHAFT
ARBRES DE TRASMISSION
ARBOLES DE TRANSMISSION
GETRIEBEWELLEN




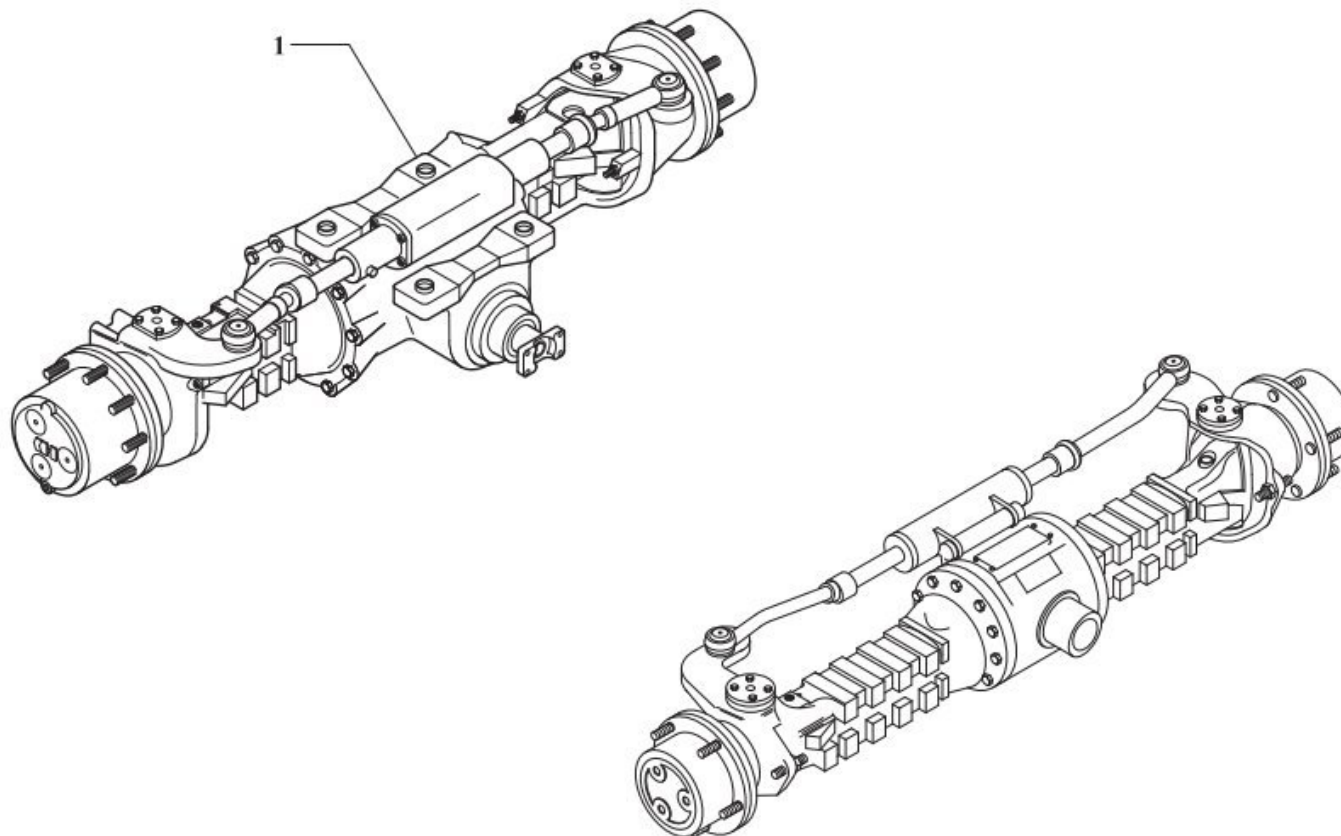
NUMERO TAVOLA TABLE NUMBER DA0036	VERSIONE VERSION 00 11/05/05	CODICE MACCHINA MACHINE CODE ZEUS		DESCRIZIONE:	INGRANAGGI GEARS ENGRENAGES ENGRANAJES ZAHNRUC'80DER
--	--	--	---	--------------	--

Table	Position	Code	Description	Qty
A0073	1	5H.006030197	NUT	1
A0073	2	5H.016133243	SCREW	1
A0073	3	5H.2120600112	ARM	1
A0073	4	5H.1120607001	SCREW	1
A0073	5	/	NOT AVAILABLE	1
A0073	6	5H.2120670001	REDUCTION BUSHING	1
A0073	7	5H.7290600901	SEAL	1
A0073	8	5H.005010121	BALL BEARING	1
A0073	9	5H.002010078	CIRCLIP	1
A0073	10	5H.001051389	O - RING	1
A0073	11	5H.2120661003	JOINT	1
A0073	12	5H.2770600501	BEARING	1
A0073	13	5H.2120600602	BUSHING	1
A0073	14	5H.1120402201	SCREW	1
A0073	15	5H.2120600703	COVER	1
A0073	16	5H.7340701501	PLUG	1
A0073	17	5H.008010213	GREASER	1
A0073	18	5H.2120670005	PIVOT PIN	1
A0073	19	5H.2120670004	PIVOT PIN	1
A0073	20	5H.001393169	DUST EXCLUDER	1
A0073	21	5H.2120600501	ARTICULATED JOINT	1
A0073	23	5H.2120605101	SEAL RING	1
A0073	24	/	NOT AVAILABLE	1
A0073	25	5H.1120161003	MAGNETIC PLUG	1
A0073	26	5H.1120161001	PLUG	1
A0073	27	5H.2120600318	STEERING CASE	1
A0073	28	5H.1770600901	SEAL RING	1
A0073	29	5H.005103166	BEARING	1
A0073	30	5H.9320607407	HOLLOW STUD	1
A0073	31	5H.1120604901	HUB WHEEL	1
A0073	32	5H.001051178	O - RING	1
A0073	33	5H.1120600504	RING GEAR	1
A0073	34	5H.1120600707	RING GEAR SUPPORT	1
A0073	35	5H.002143191	CIRCLIP	1



486

NUMERO TAVOLA
TABLE NUMBER
DA0077

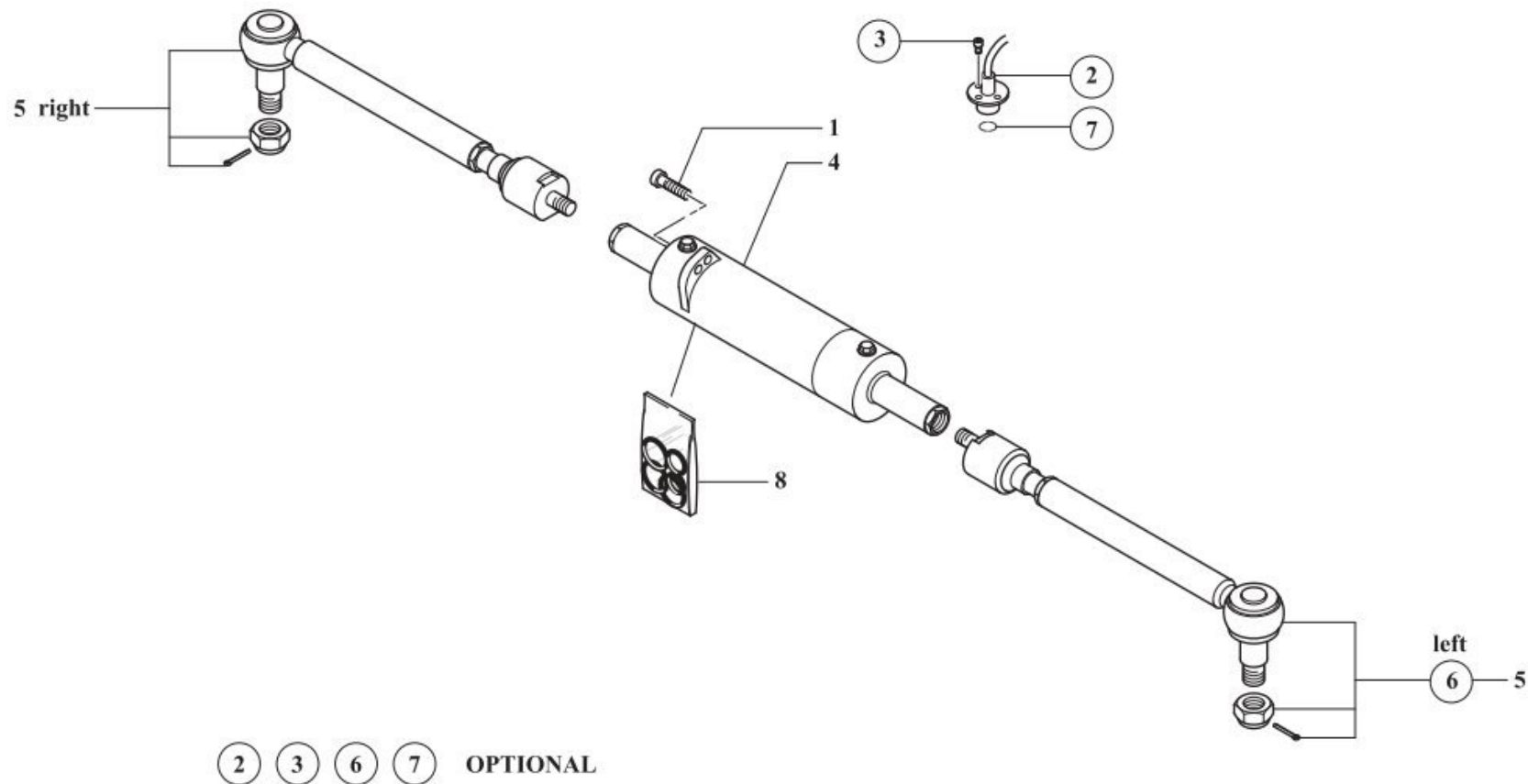
VERSIONE
VERSION
00
10/08/05

CODICE MACCHINA
MACHINE CODE
ZEUS




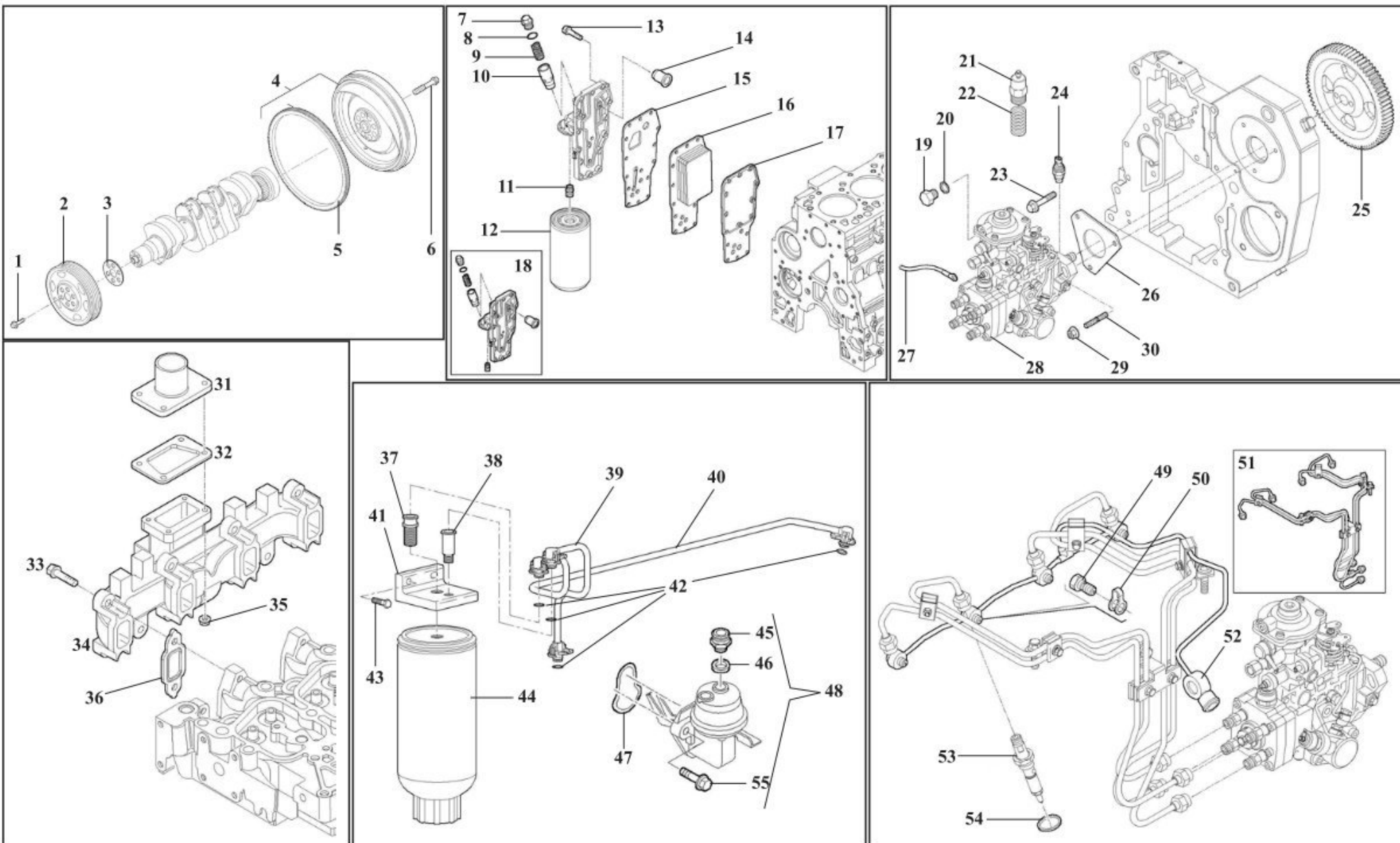
DESCRIZIONE:

PONTE DIFFERENZIALE POSTERIORE
REAR AXLE
PONT.DIFF. ARRIERE
PUENTE DIF. TRASERO
ACHSE HINTEN



486

NUMERO TAVOLA TABLE NUMBER DA0081	VERSIONE VERSION 00 10/08/05	CODICE MACCHINA MACHINE CODE ZEUS		DESCRIZIONE: BARRE STERZO E CILINDRO POSTERIORE REAR STEERING RODS AND CYLINDER BARRES DIRECTION ET CYLINDRE POST. BARRAS DIRECCION Y CILINDRO TRASERO HINTERE LENKS...ULEN UND ZYLINDER
--	--	--	---	--



NUMERO TAVOLA
TABLE NUMBER
DF0002

VERSIONE
VERSION
00
23/03/05

CODICE MACCHINA
MACHINE CODE
ZEUS



DESCRIZIONE:

PEZZI DI RICAMBIO 2 (PER MOTORE DIESEL ASPIRATO)
EXCHANGE PIECE (FOR NATURALLY ASPIRATED DIESEL ENGINE)
PIÈCE DE RECHANGE (POUR MOTEUR DIÉSEL A ASPIRATION NATURELLE)
PIEZA DE REPUESTO (POR MOTOR DIESEL DE ASPIRACION NATURAL)
ERSATZSTÜCK (FÜR DIESEL-SAUGMOTOR)

Table	Position	Code	Description	Qty
F0005	35	1F.4899031	SCREW	1
F0005	36	1F.2830266	PUMP	1
F0005	37	1F.4895244	OPENING	1
F0005	38	1F.4895305	GASKET	1
F0005	39	1F.504037873	INJECT. LINE SET	1
F0005	40	1F.500390441	NOZZLE ASSY	1
F0005	41	1F.4895297	GASKET	1
F0005	42	1F.504046196	TUBE	1

CLICK HERE TO **DOWNLOAD** THE COMPLETE MANUAL

- Thank you very much for reading the preview of the manual.
- You can download the complete manual from: www.heydownloads.com by clicking the link below



- Please note: If there is no response to CLICKING the link, please download this PDF first and then click on it.

CLICK HERE TO **DOWNLOAD** THE COMPLETE MANUAL