

All rights reserved by **CNHi**.

The information contained in this catalogue is intended to be of a general nature only. **CNHi** may at any time and from time to time, for technical or other necessary reasons, modify any of the details or specifications of the product described in this catalogue.

To be sure of getting accurate, detailed and up-to-date information, an intending buyer should consult his nearest **CNHi** dealer or distributor.

Single item numeration method used in this catalogue may not be used without written consent from **CNHi**.

CLICK HERE TO **DOWNLOAD** THE COMPLETE MANUAL

- Thank you very much for reading the preview of the manual.
- You can download the complete manual from: www.heydownloads.com by clicking the link below



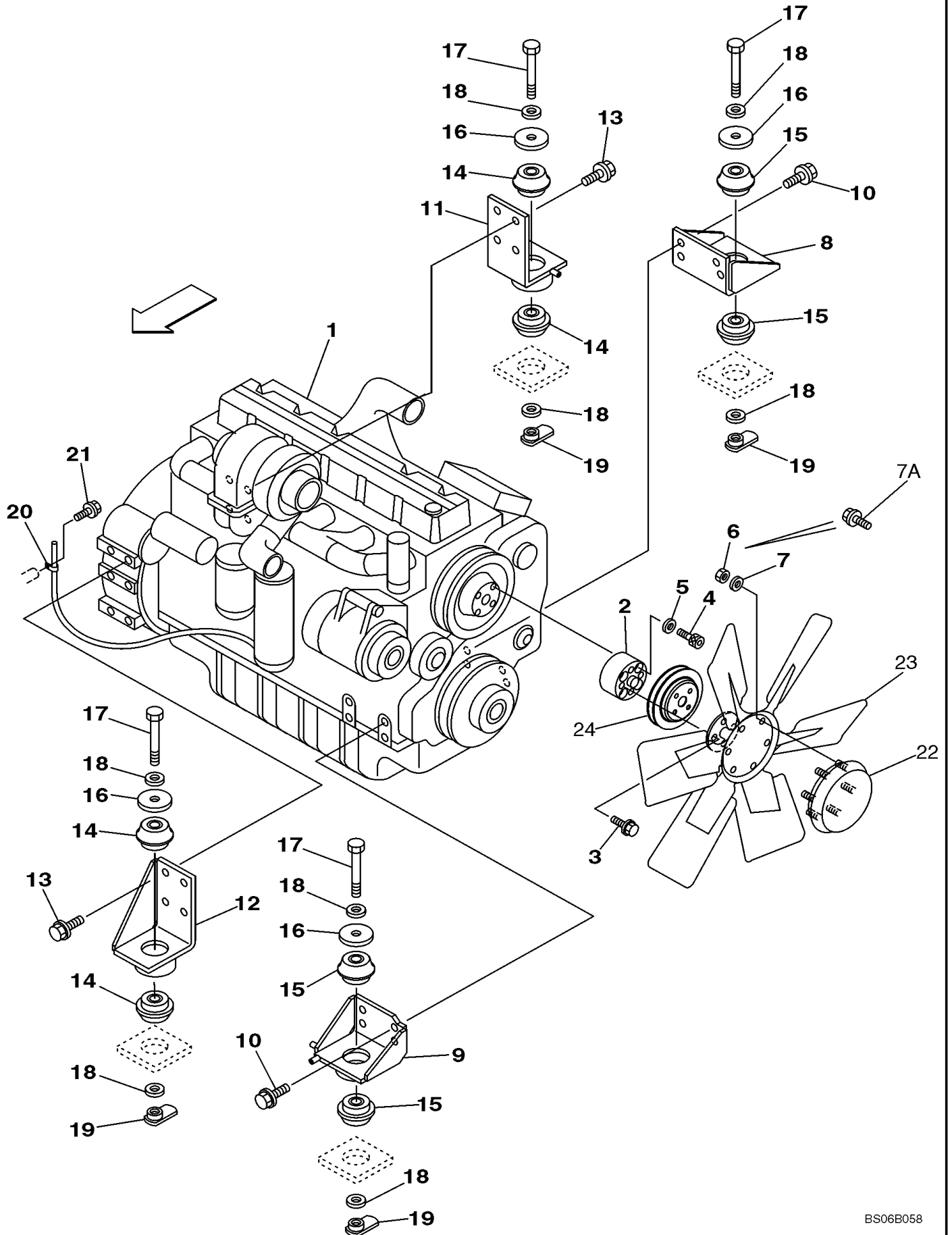
- Please note: If there is no response to CLICKING the link, please download this PDF first and then click on it.

CLICK HERE TO **DOWNLOAD** THE COMPLETE MANUAL

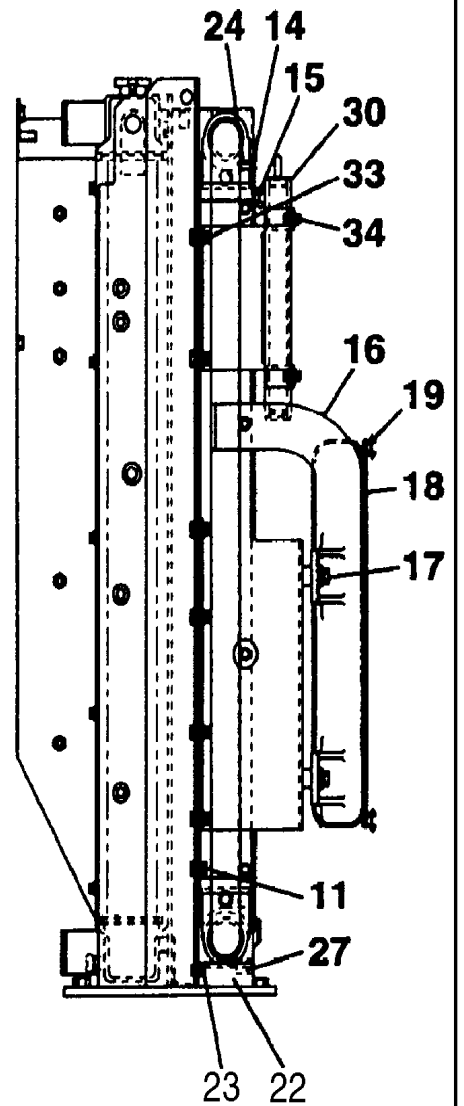
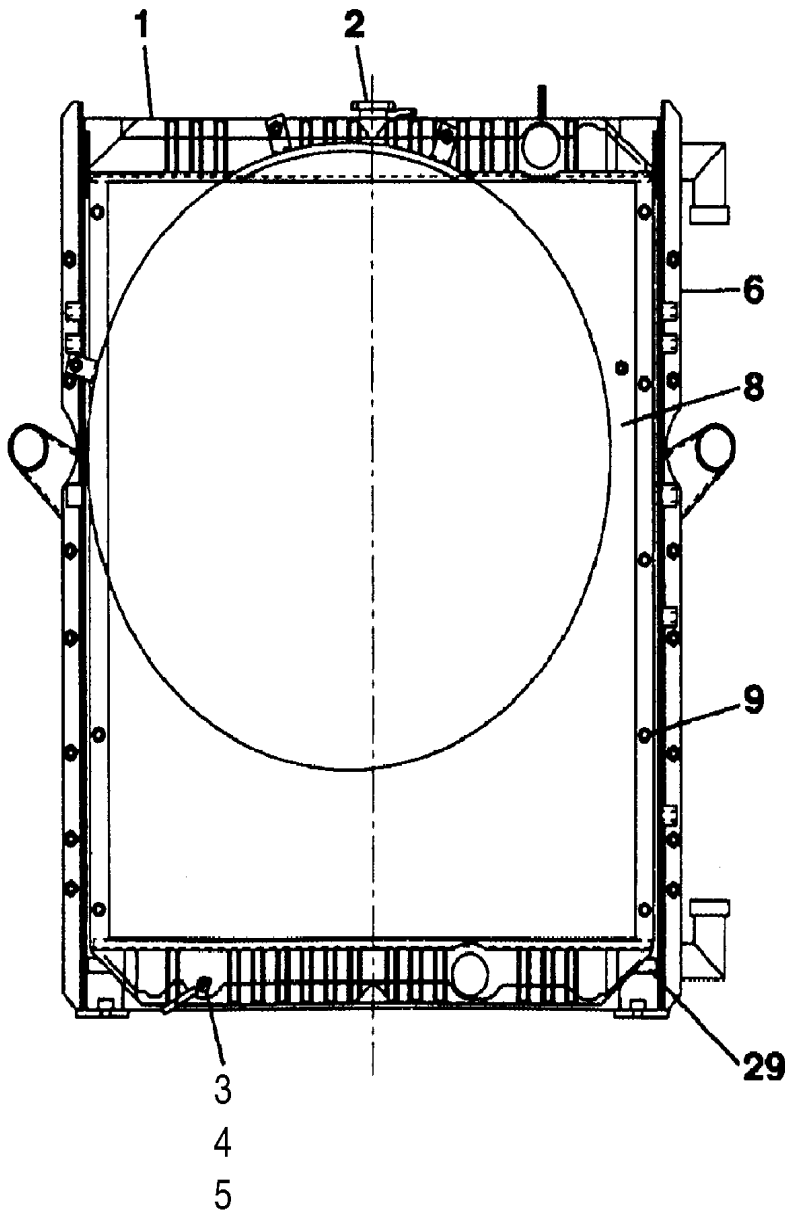
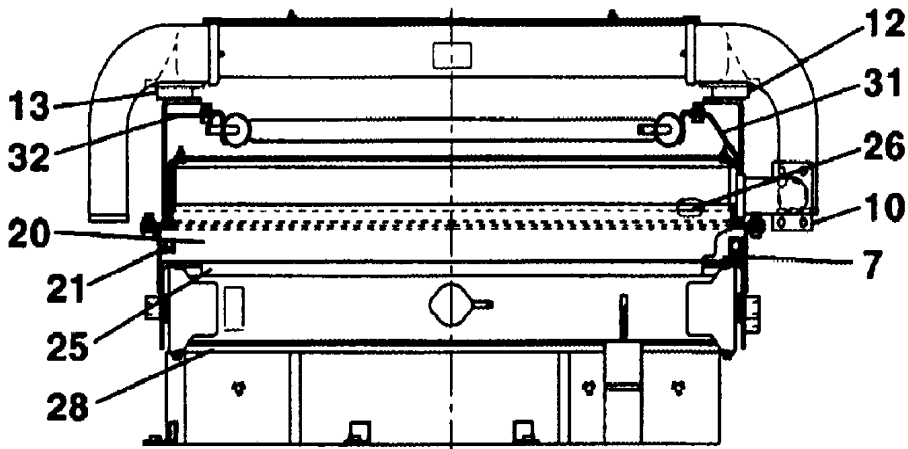
TABLE OF CONTENTS

05-06A	TRACK CHAINS, 800 MM (31-1/2 IN) - FOOTSTEP, P.I.N. DAC0733205 -
05-07	TRACK CHAINS, 850 MM (33-1/2 IN), - P.I.N. DAC0733204
05-07A	TRACK CHAINS, 850 MM (33-1/2 IN) - FOOTSTEP, P.I.N. DAC0733205 -
05-08	TRACK CHAINS, 900 MM (35-1/2 IN), - P.I.N. DAC0733204
05-08A	TRACK CHAINS, 900 MM (35-1/2 IN) - FOOTSTEP, P.I.N. DAC0733205 -
05-09	TRACK - IDLER
05-10	TRACK - ADJUSTER
05-11	TRACK - ROLLER, UPPER
05-12	TRACK - ROLLER, LOWER

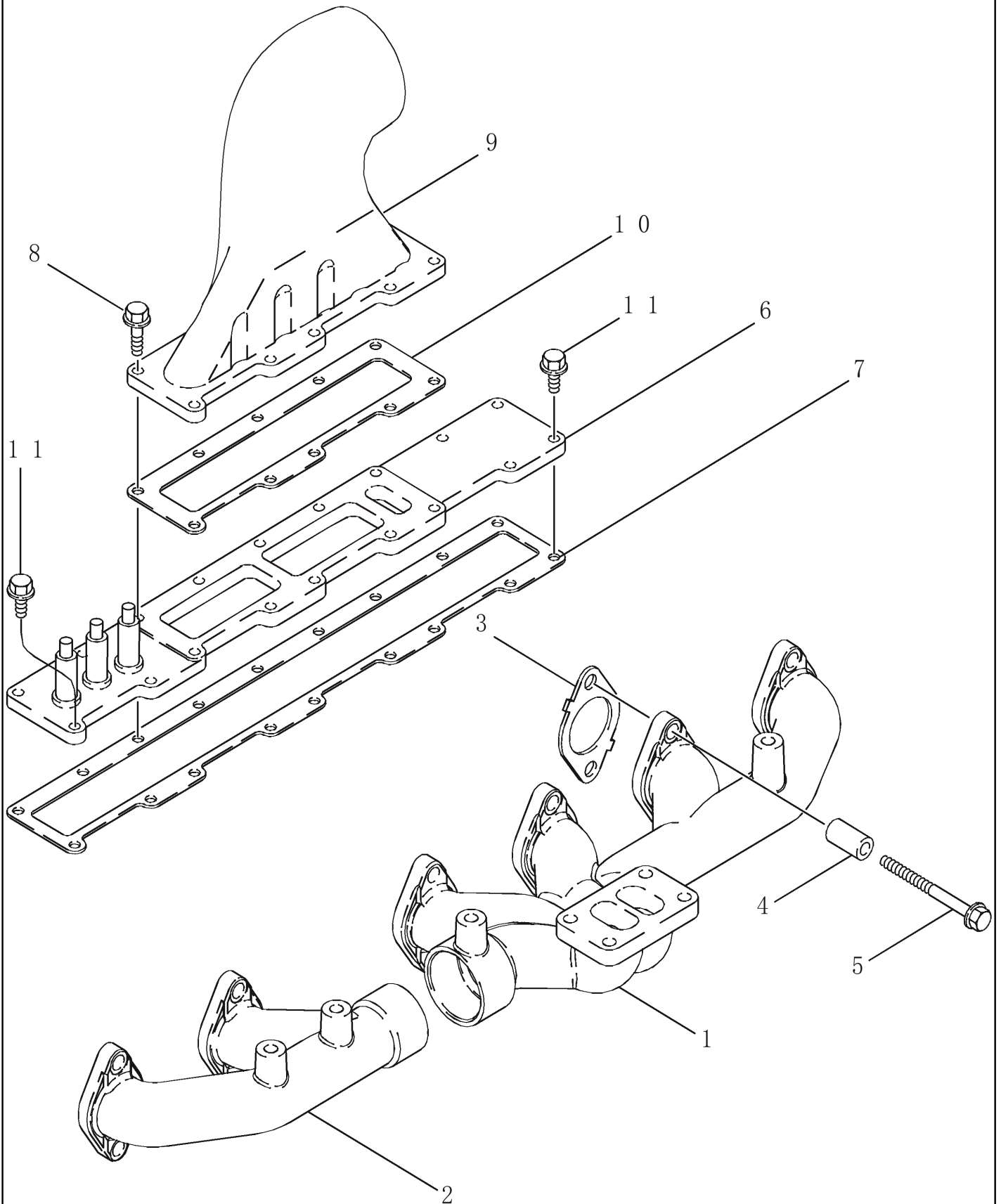
ENGINE MOUNTING



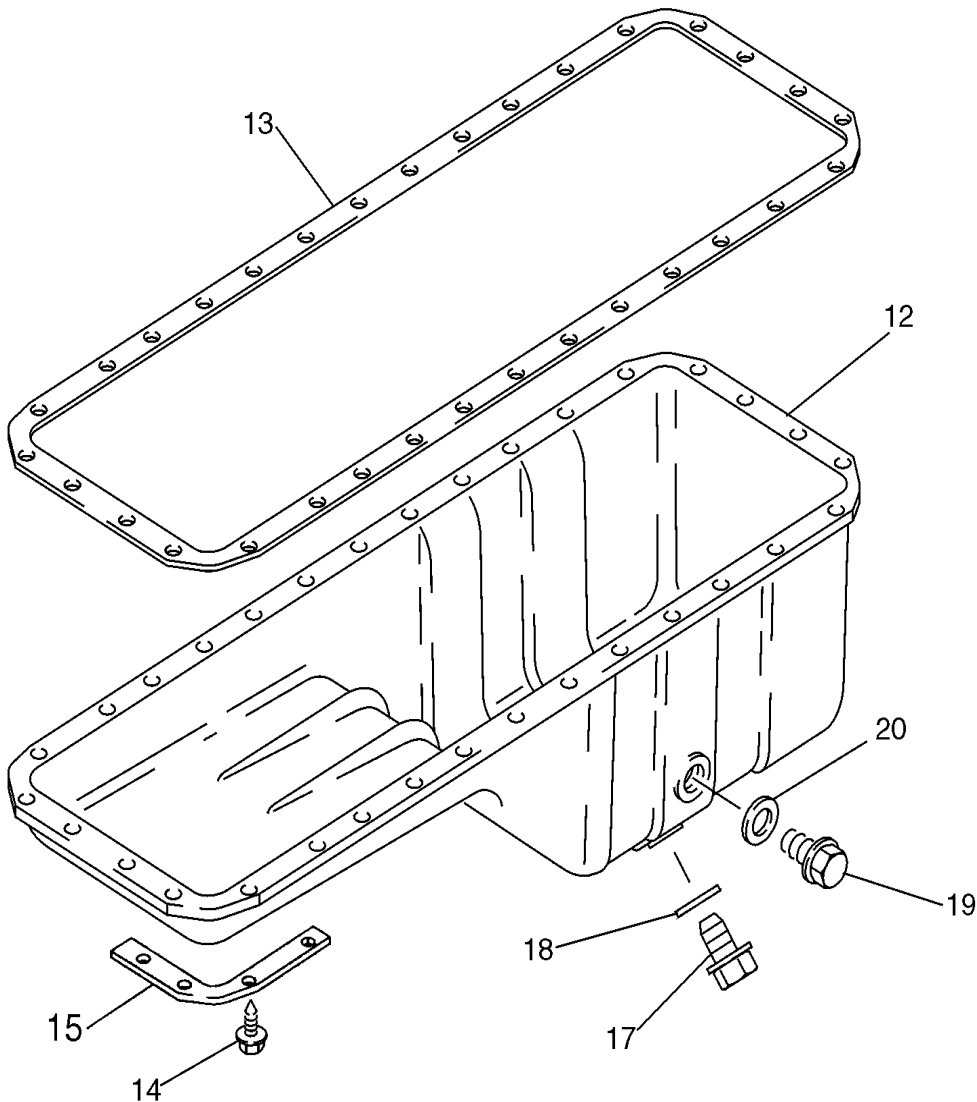
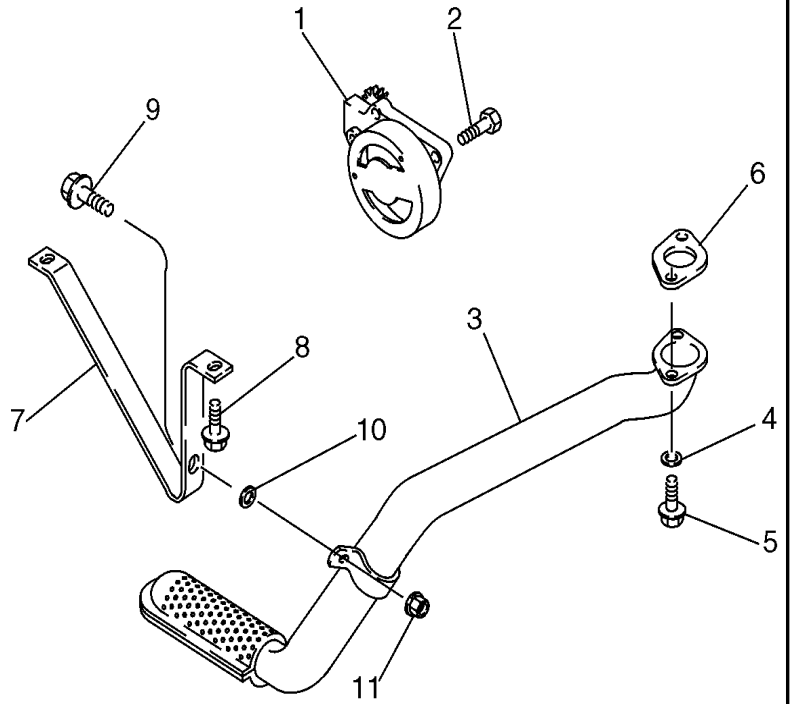
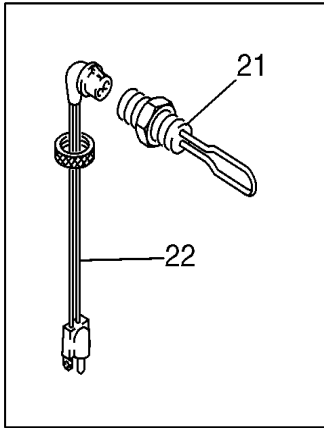
RADIATOR ASSY



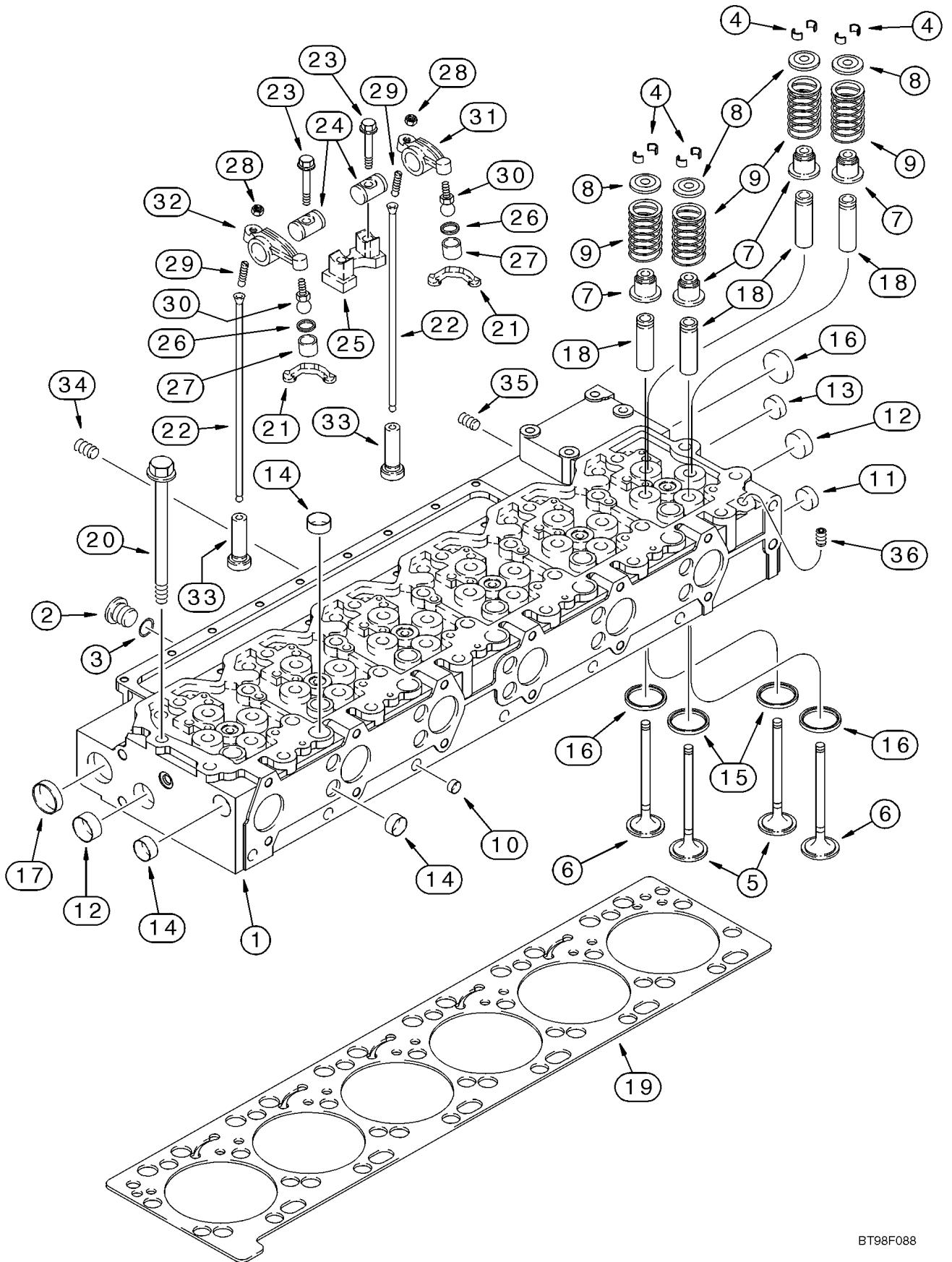
MANIFOLDS - EXHAUST AND INTAKE



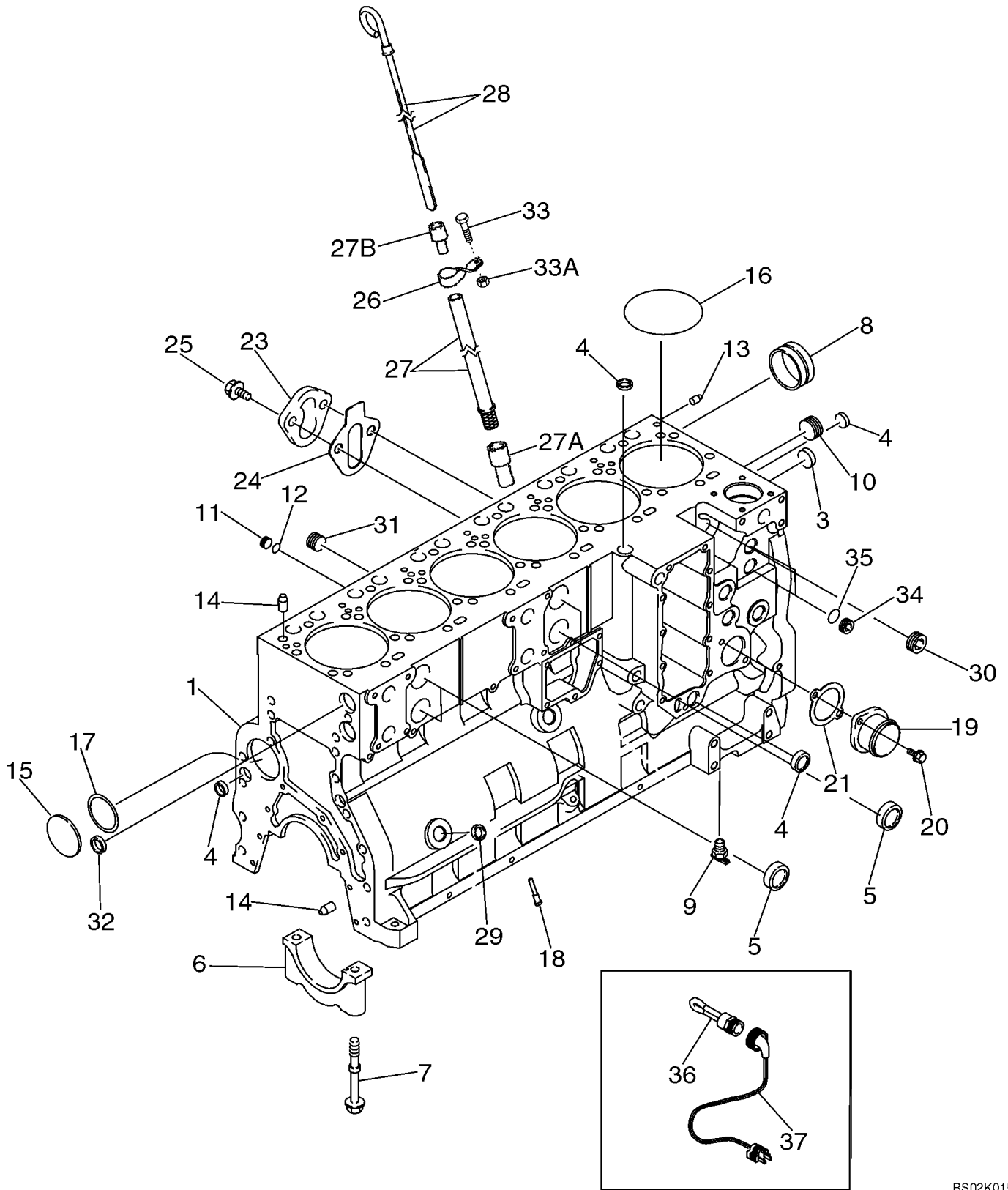
OIL PUMP AND OIL PAN



CYLINDER HEAD - VALVE MECHANISM



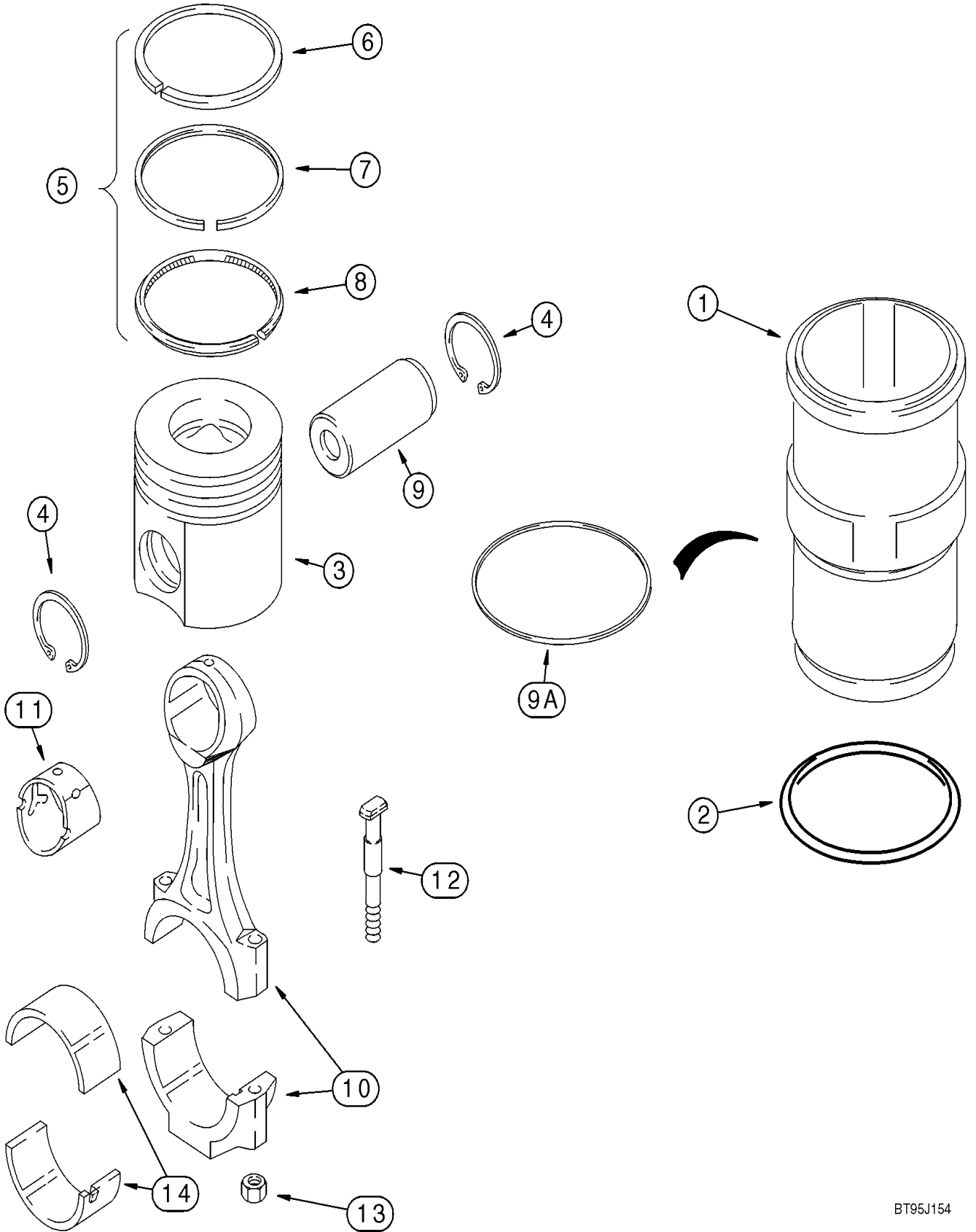
CYLINDER BLOCK



BS02K015

Note: Basic engines and reman engines are generic engines. The engines are complete internally; however, externally all parts are not supplied with the engines. Check the configuration of the engine being removed, with the configuration of the engine being installed. For any external components not supplied with the engine being installed, reuse those parts from the engine that has just been removed. Do not return the old engine, until the unit is reassembled.

PISTONS - CONNECTING RODS

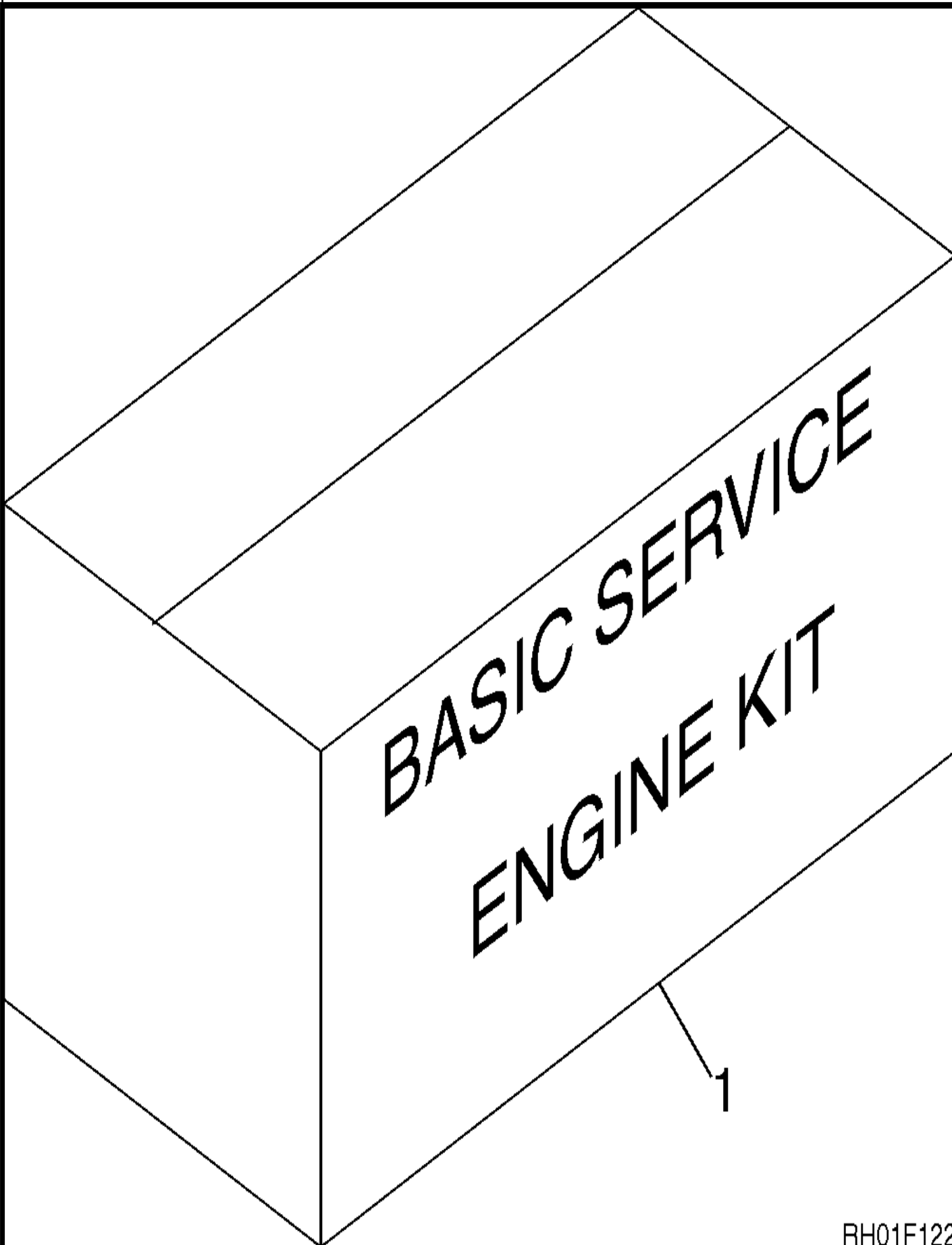


02-25

p2

10/2020

GASKET KIT, BASIC SERVICE ENGINE

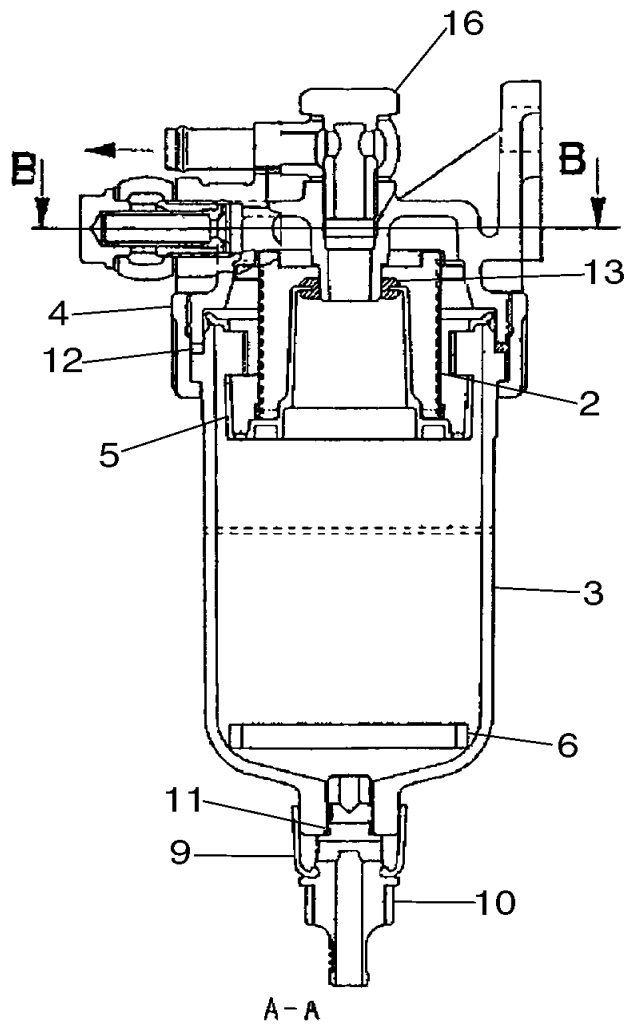
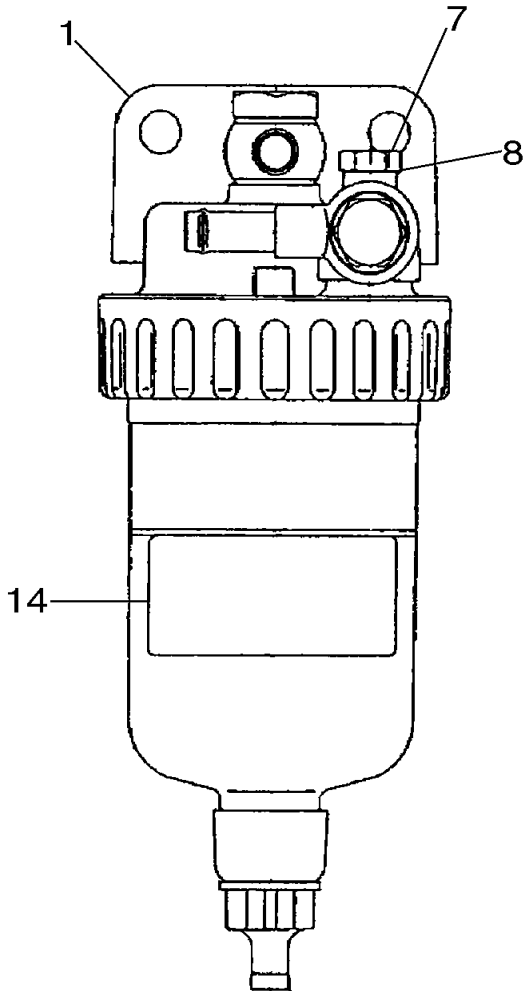
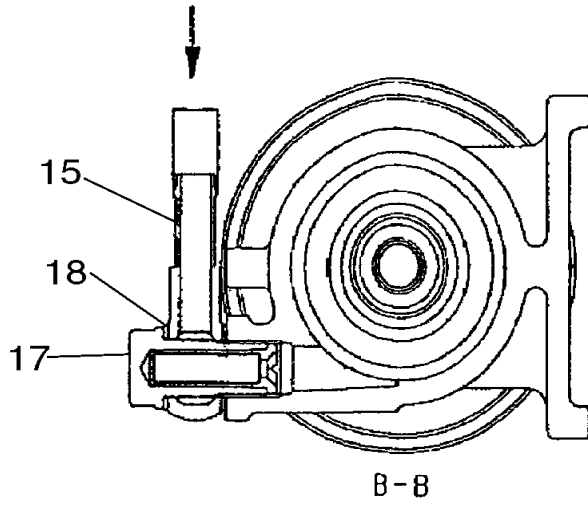
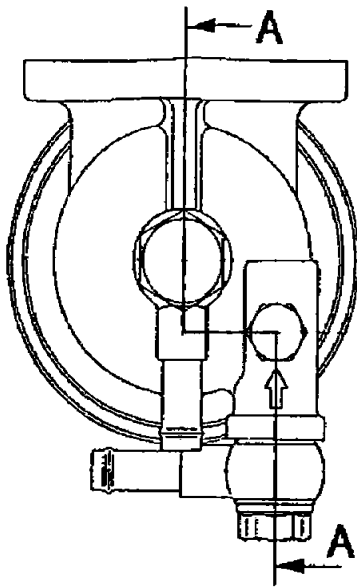


**BASIC SERVICE
ENGINE KIT**

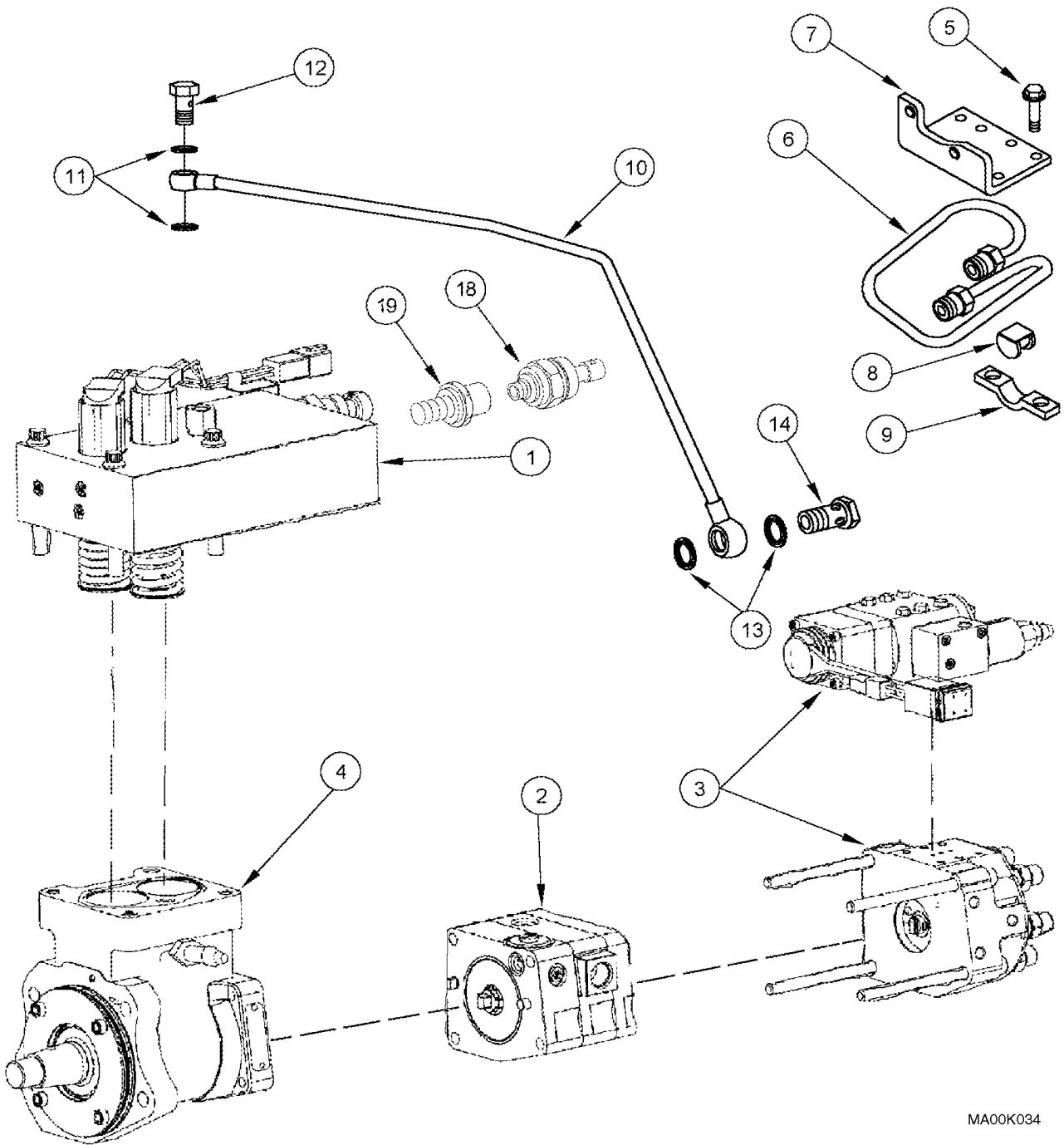
1

RH01E122

WATER SEPARATOR ASSY



FUEL INJECTION PUMP

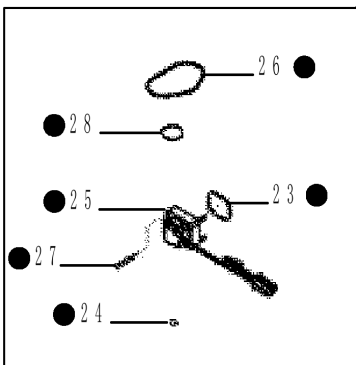
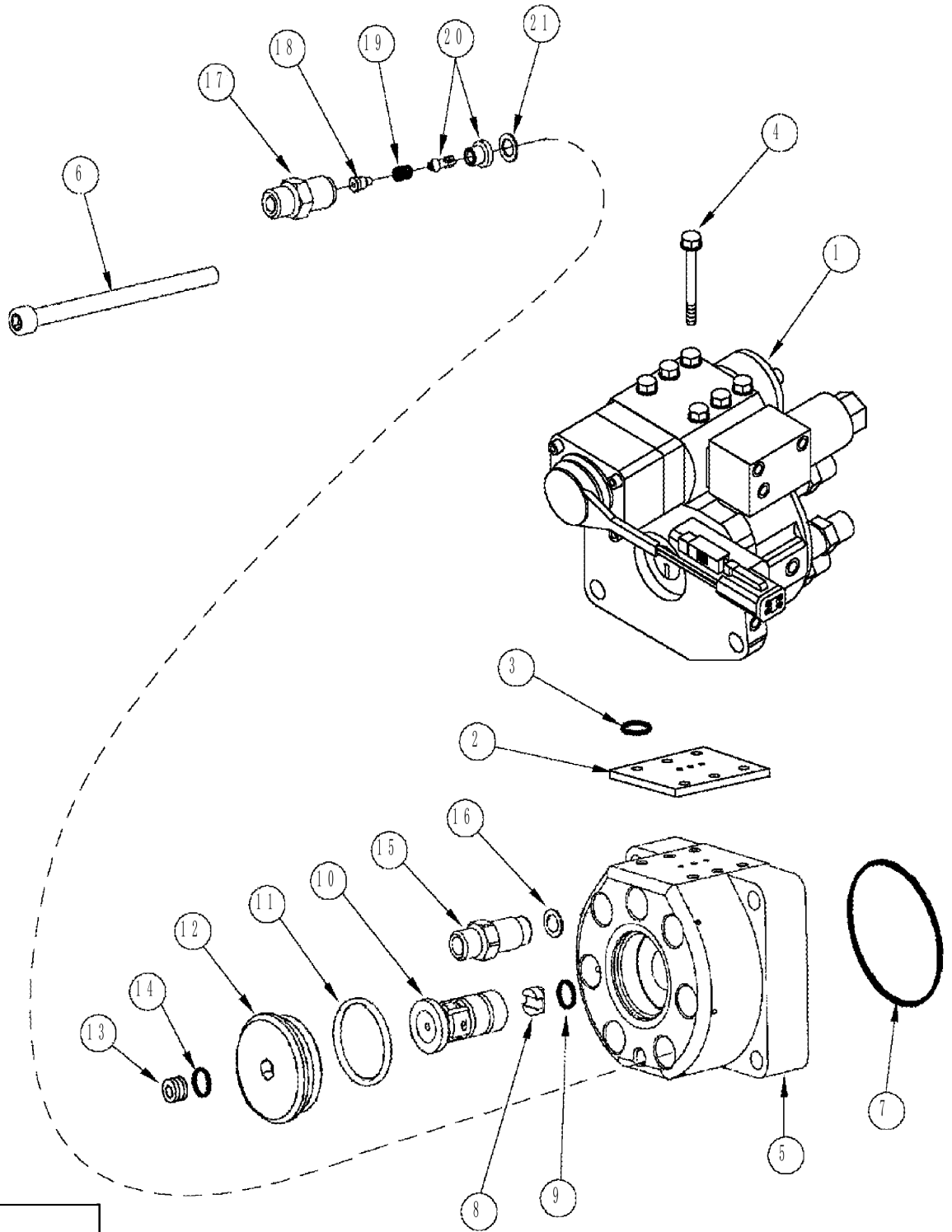


03-09

p2

10/2020

FUEL INJECTION PUMP



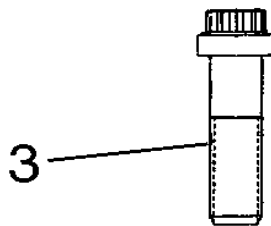
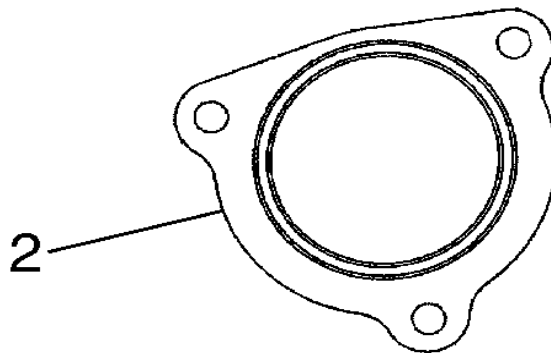
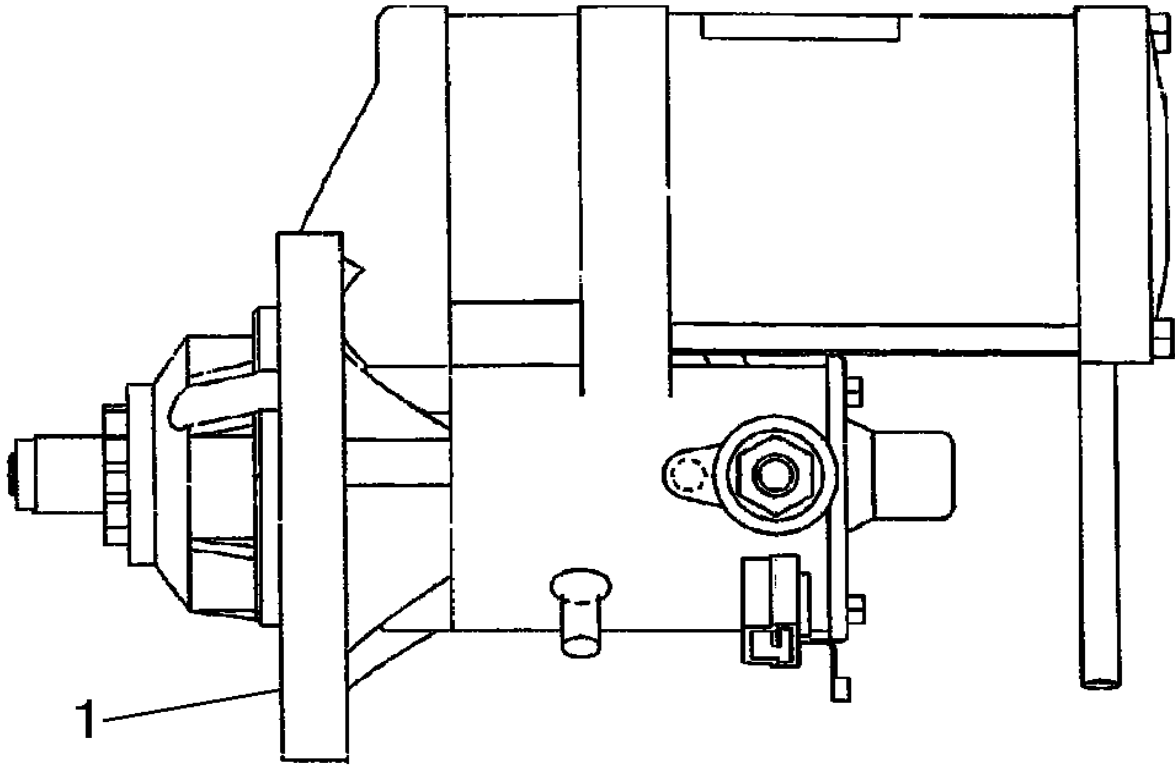
● = 22

04-01

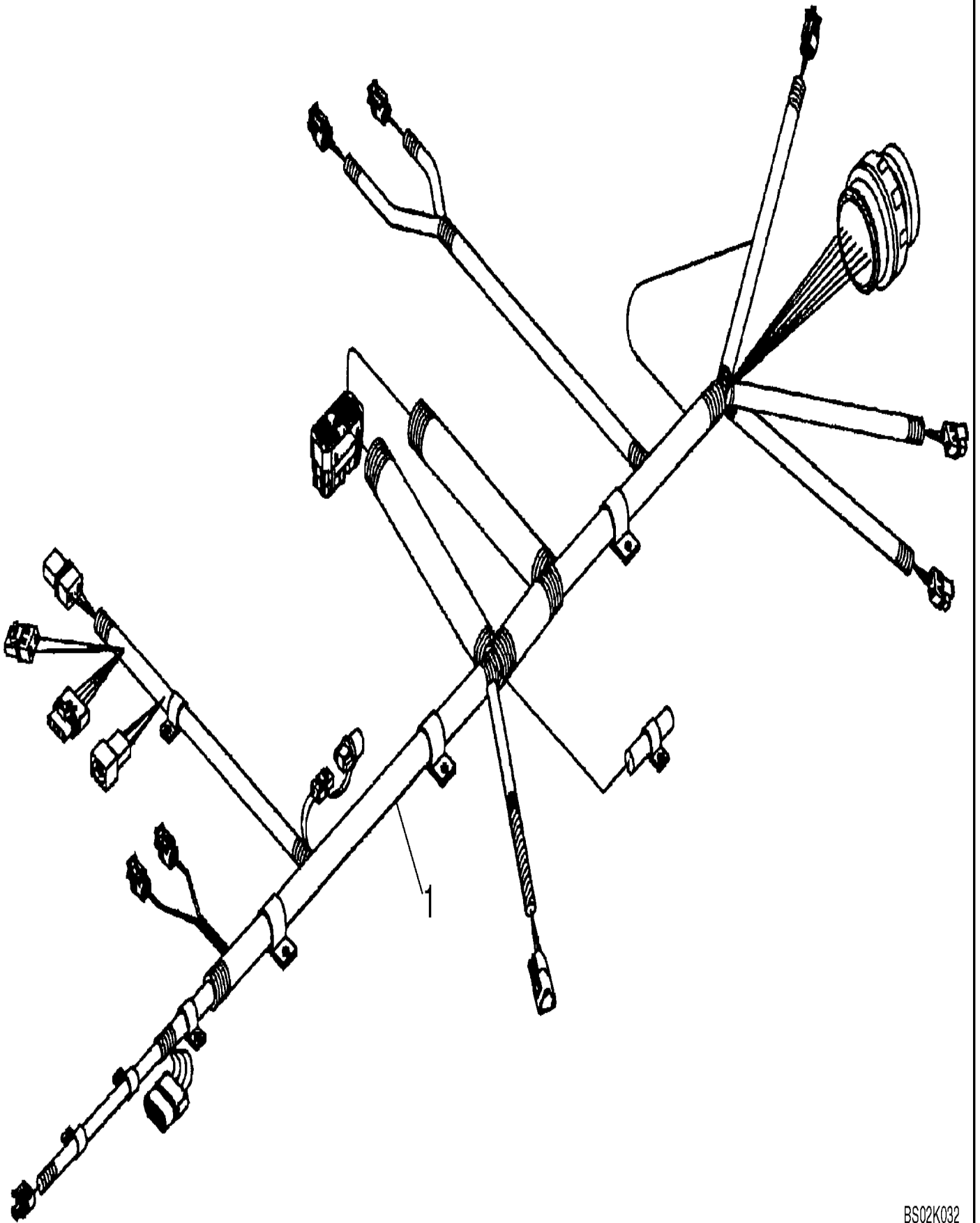
p1

10/202
0

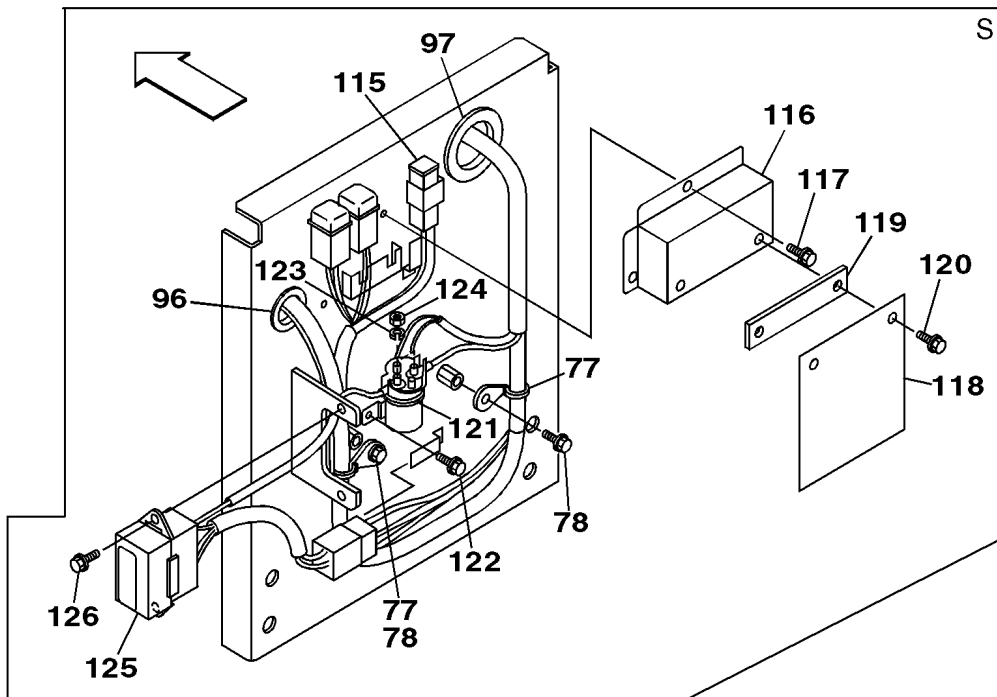
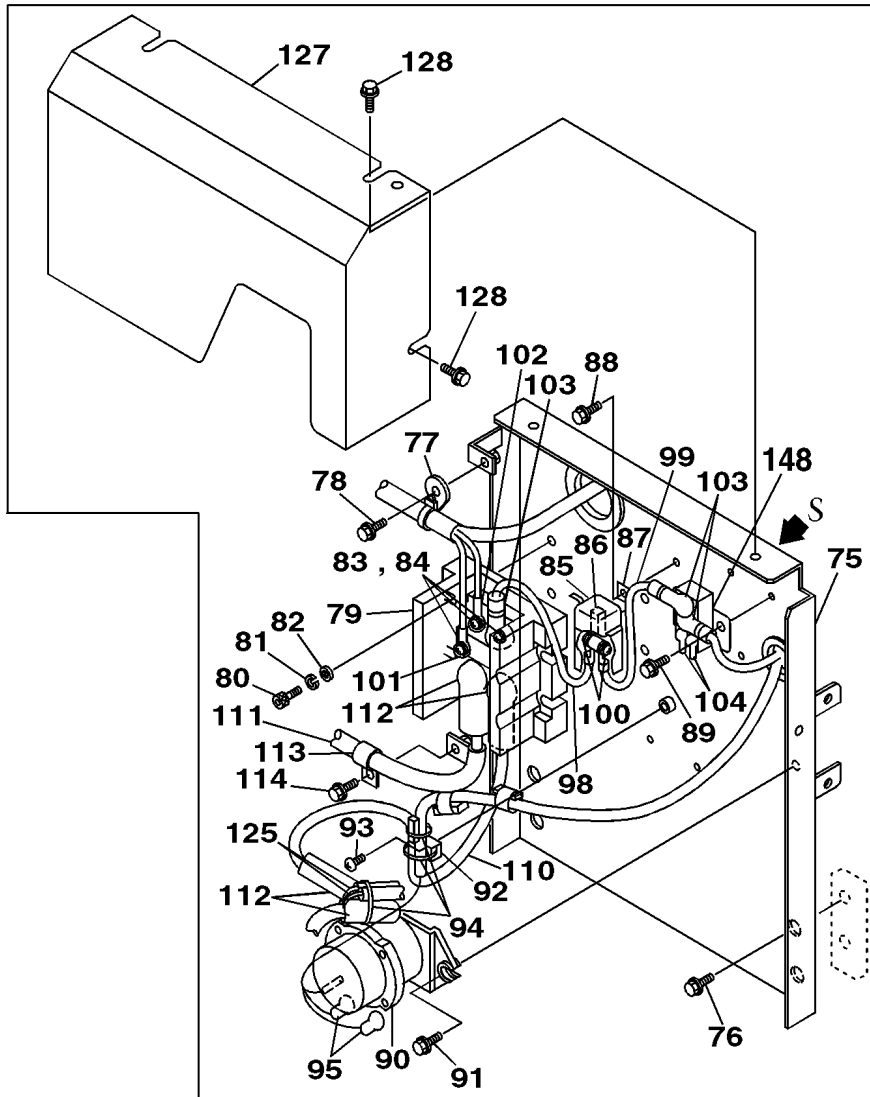
STARTER MOUNTING



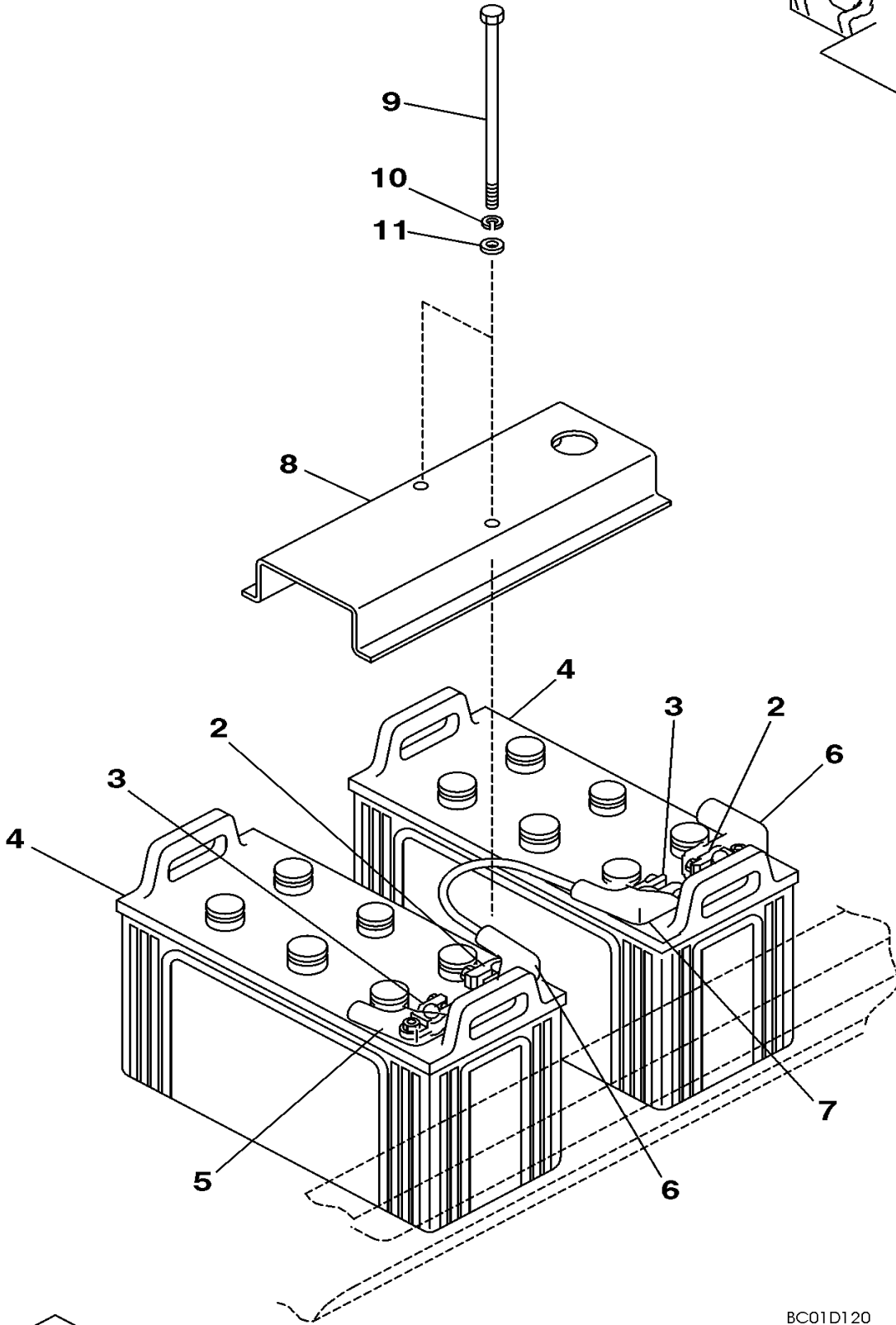
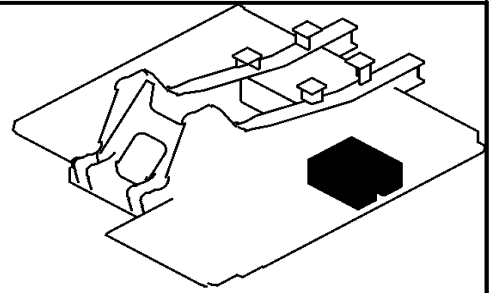
HARNESS - ELECTRONIC IGNITION CONTROL MODULE



HARNESS, MAIN - RELAY PANEL



BATTERY - MOUNTING

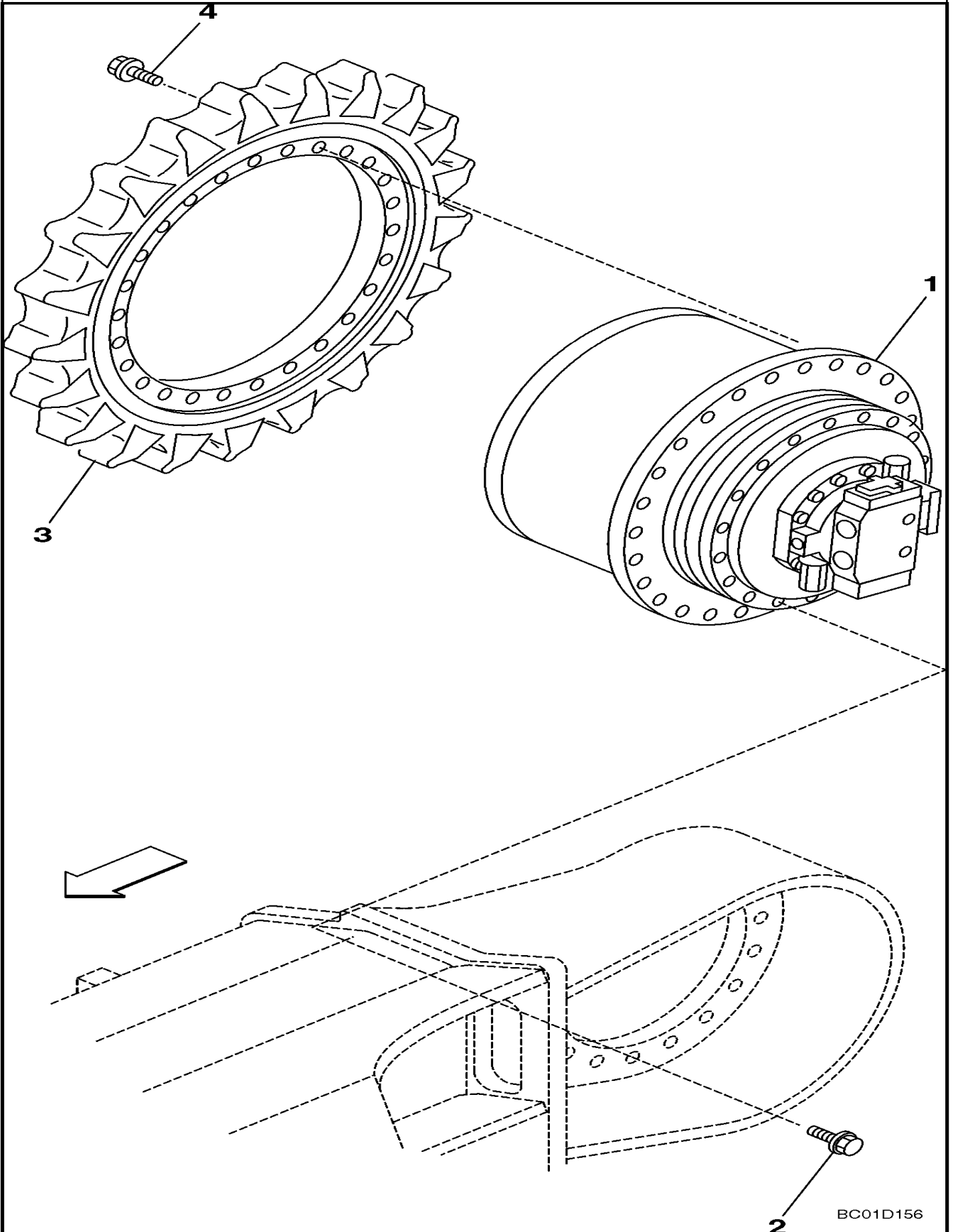


06-01

p1

10/202
0

TRACK DRIVE ASSY

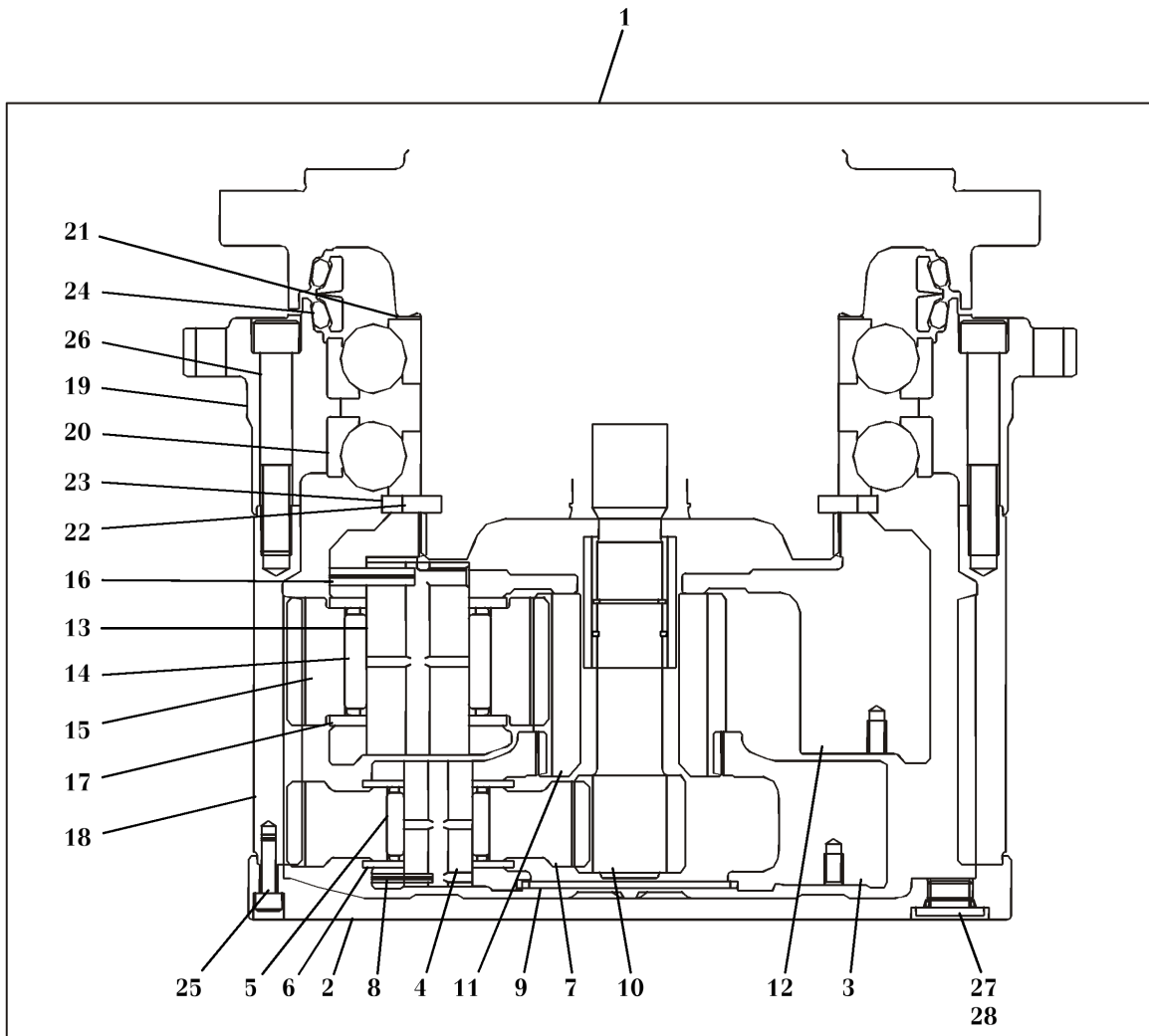


06-02B

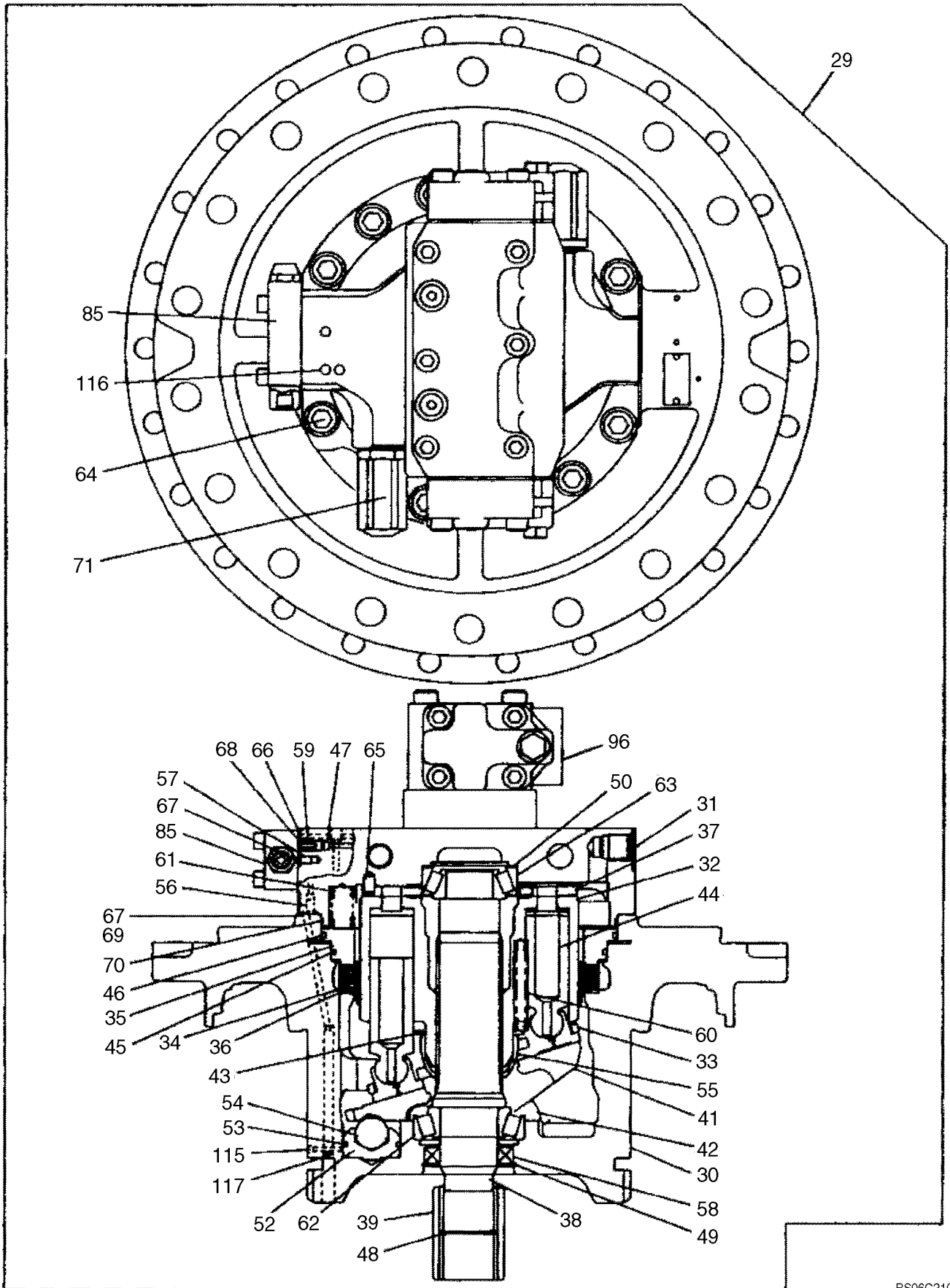
p2

10/202
0

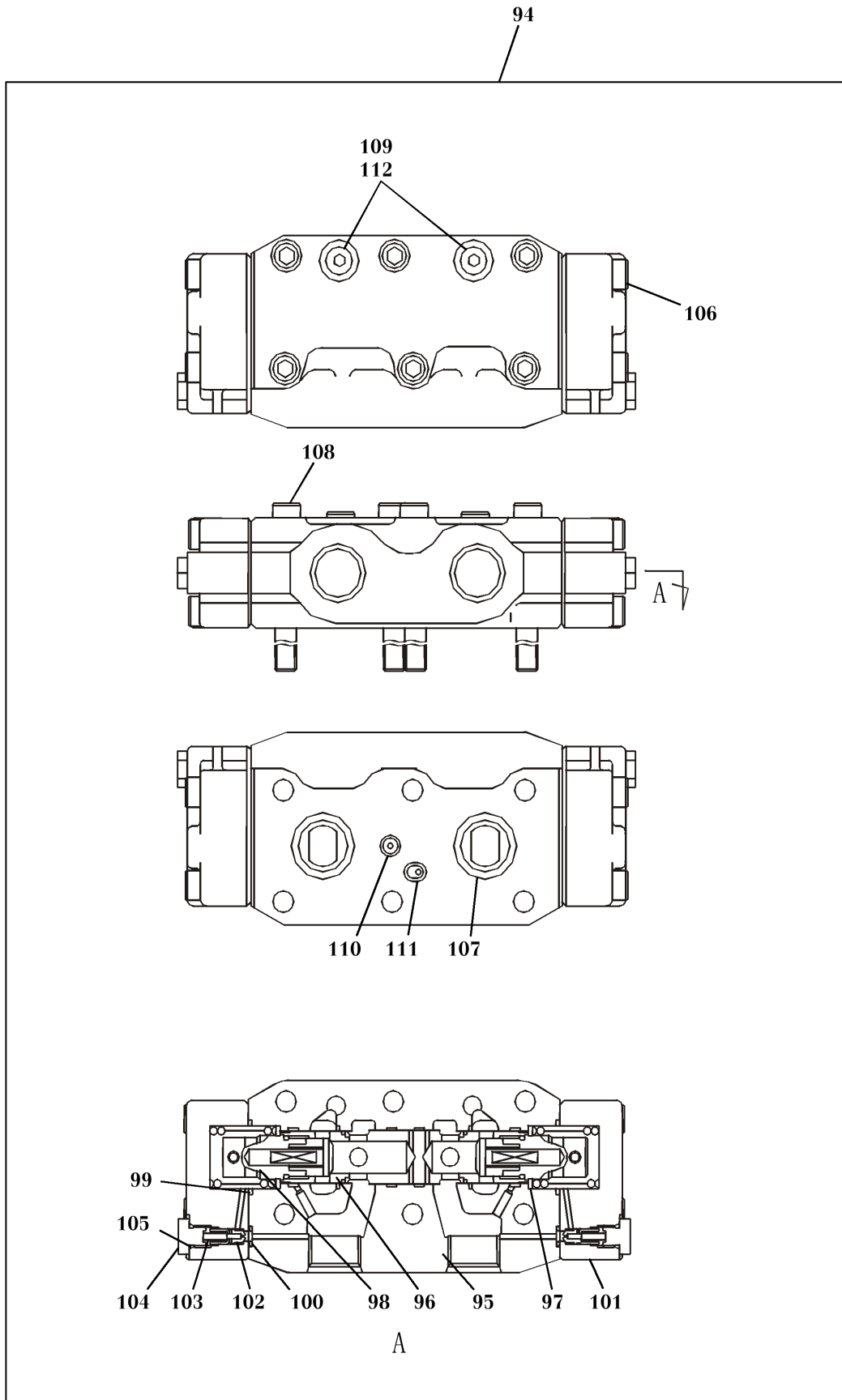
MOTOR ASSY - GEAR ASSY, REDUCTION



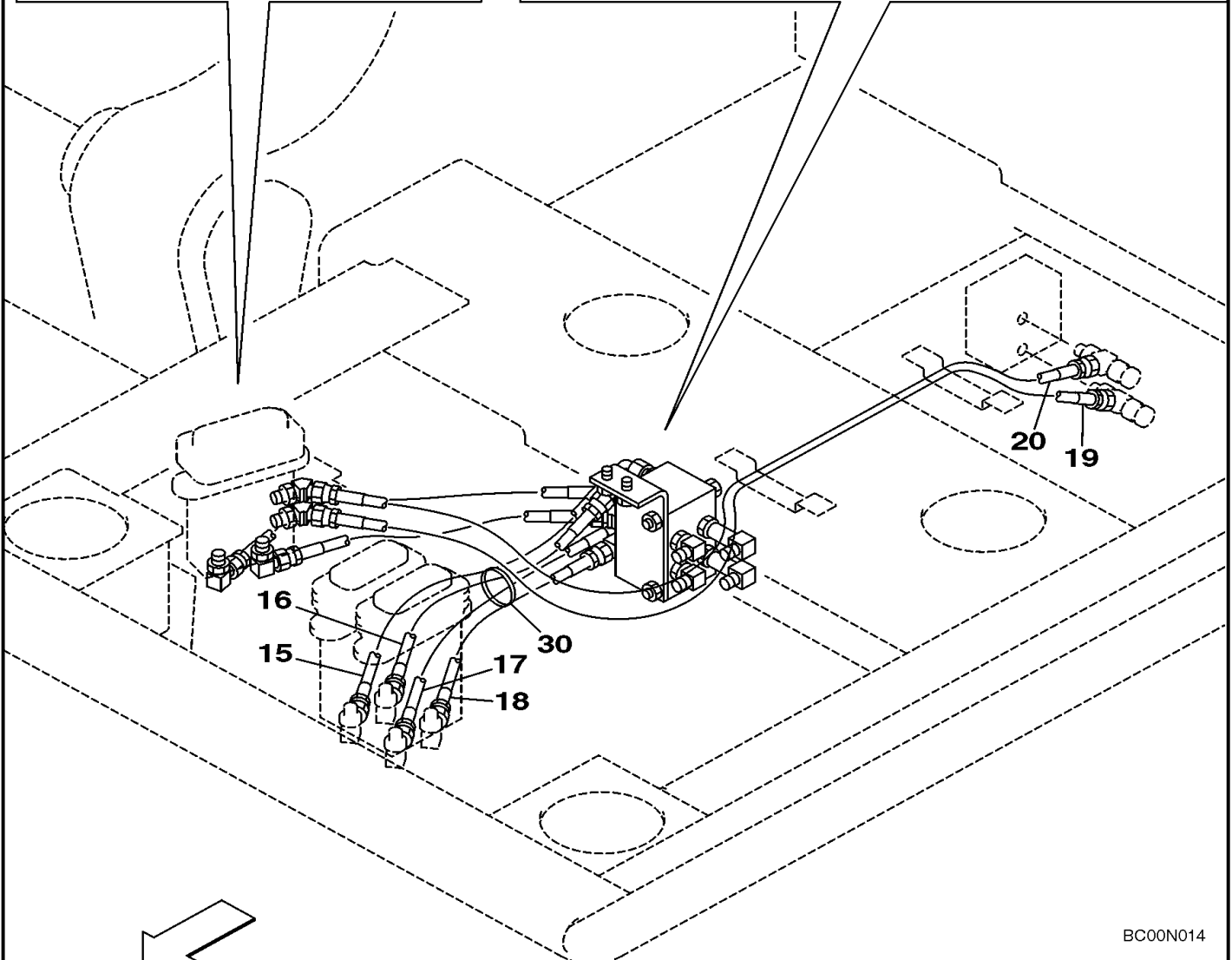
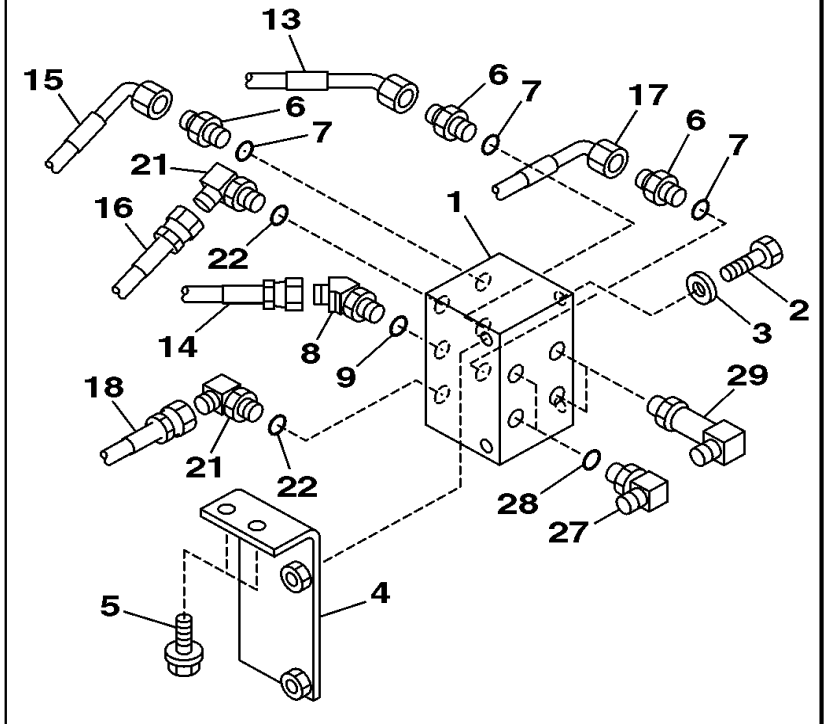
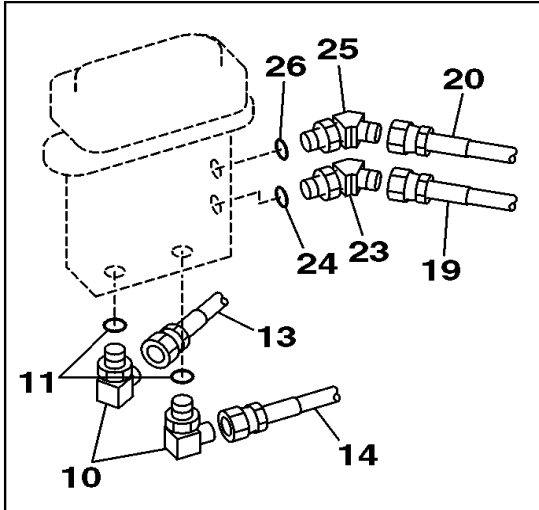
MOTOR ASSY - TRAVEL, INLET AND OUTLET



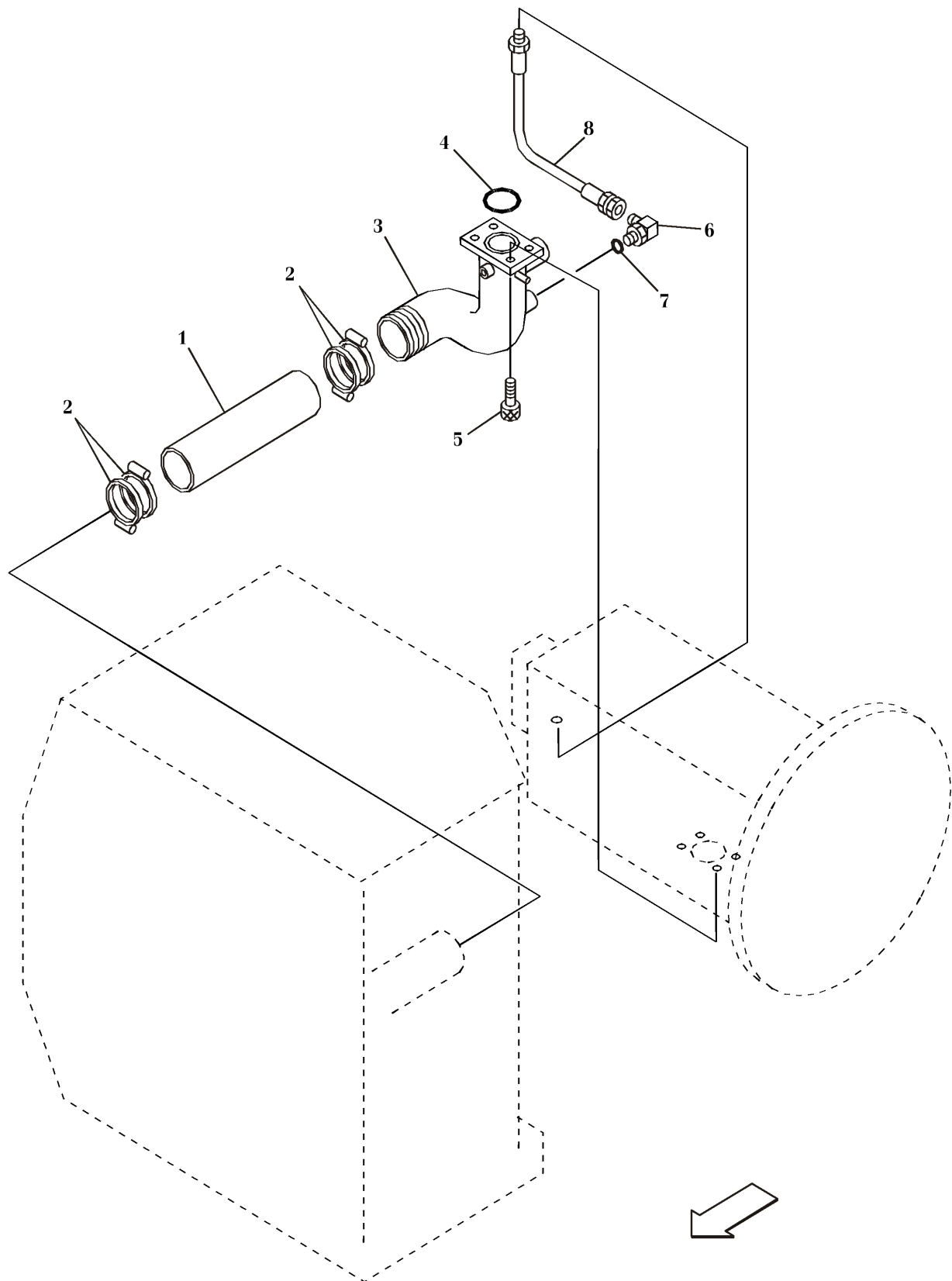
MOTOR ASSY - TRACK DRIVE, P.I.N. DAC0733142 -



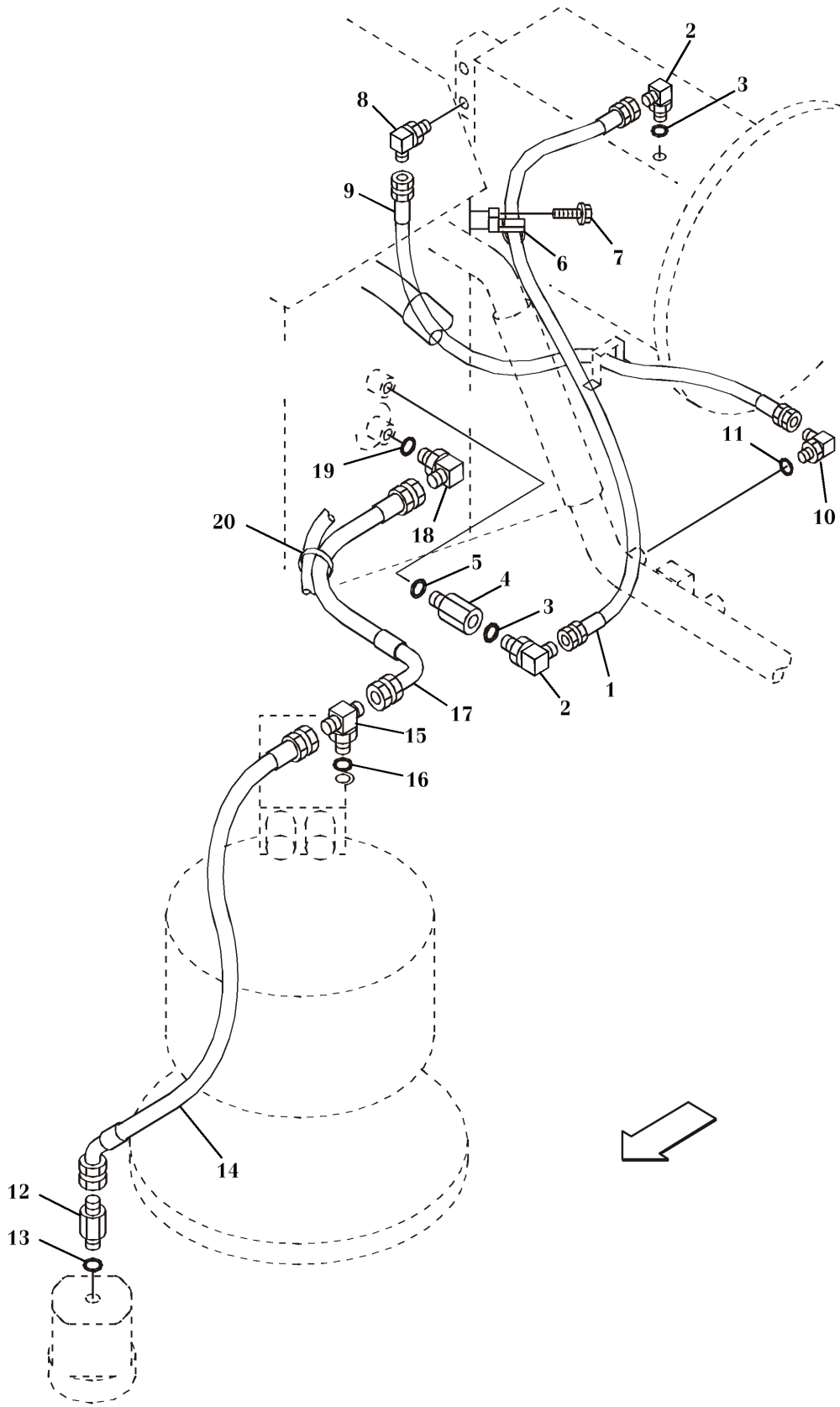
HYDRAULICS - TRAVEL CONTROL, SINGLE PEDAL



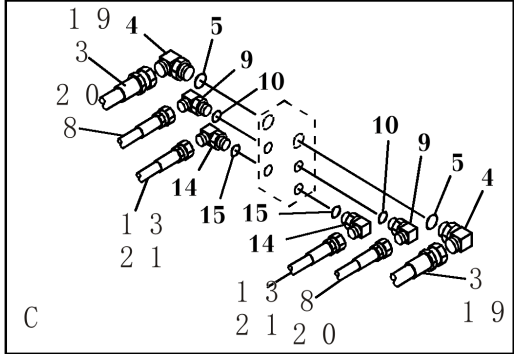
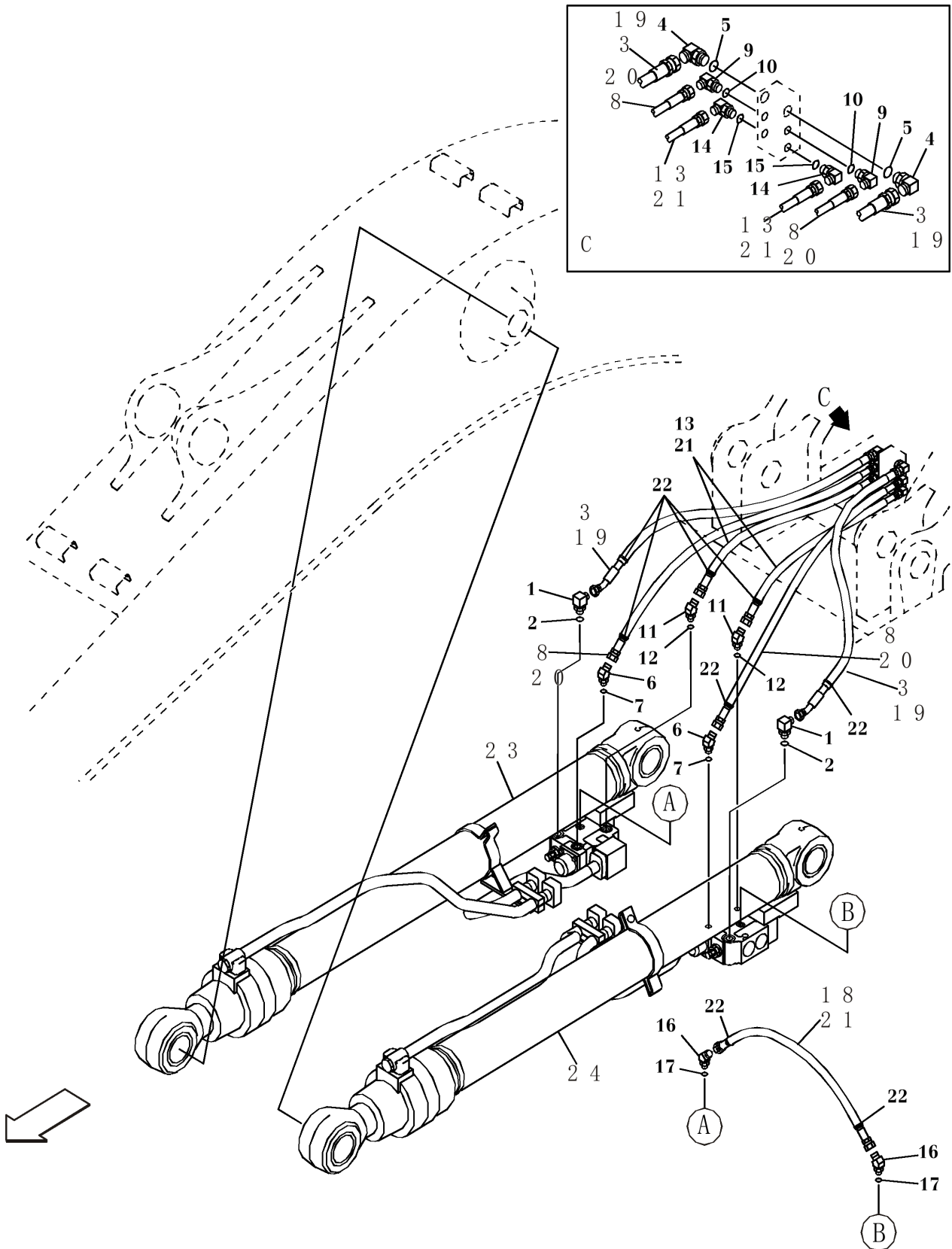
HYDRAULICS - PUMP SUCTION LINE



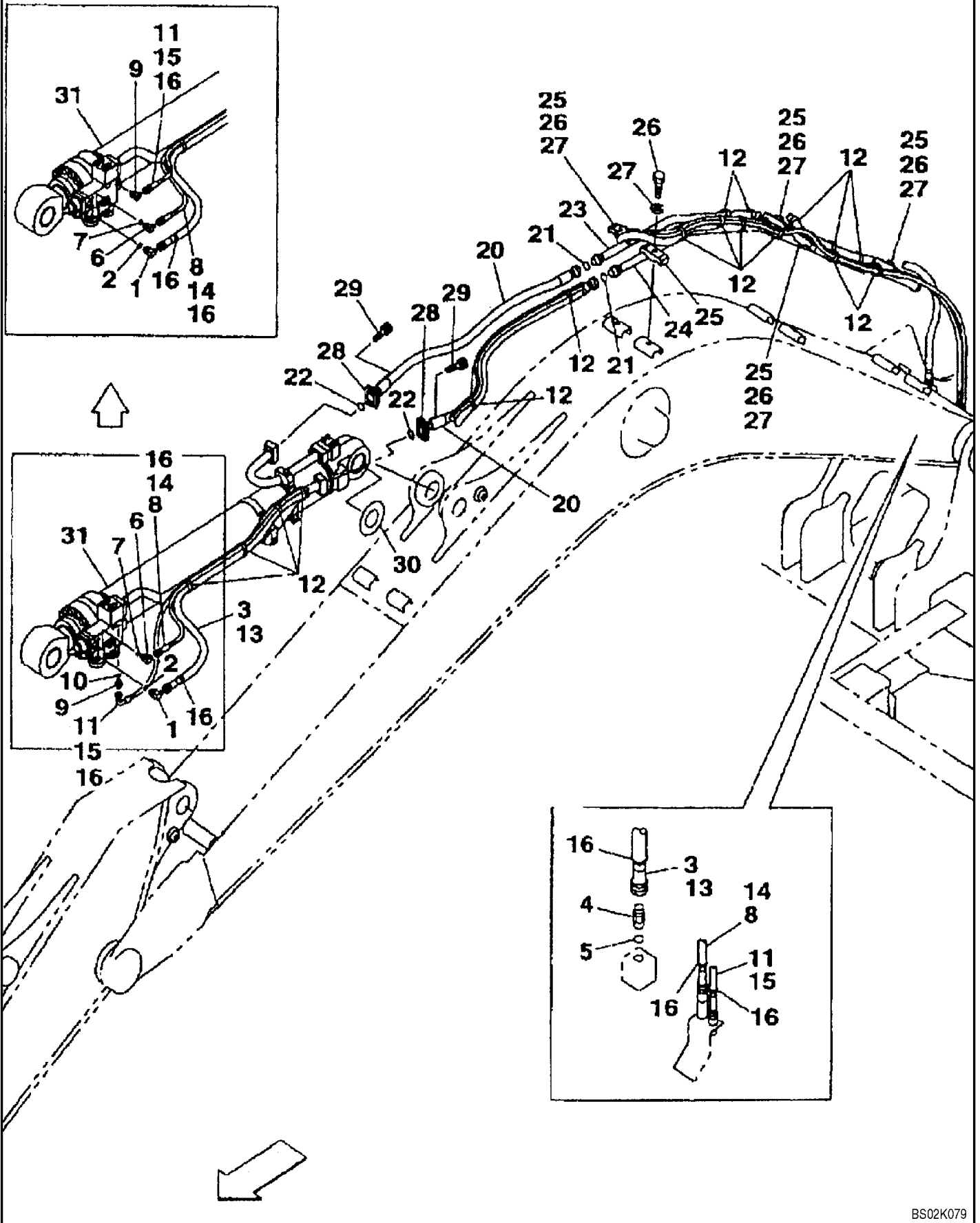
HYDRAULICS - DRAIN LINE, MODELS WITHOUT LOAD HOLD



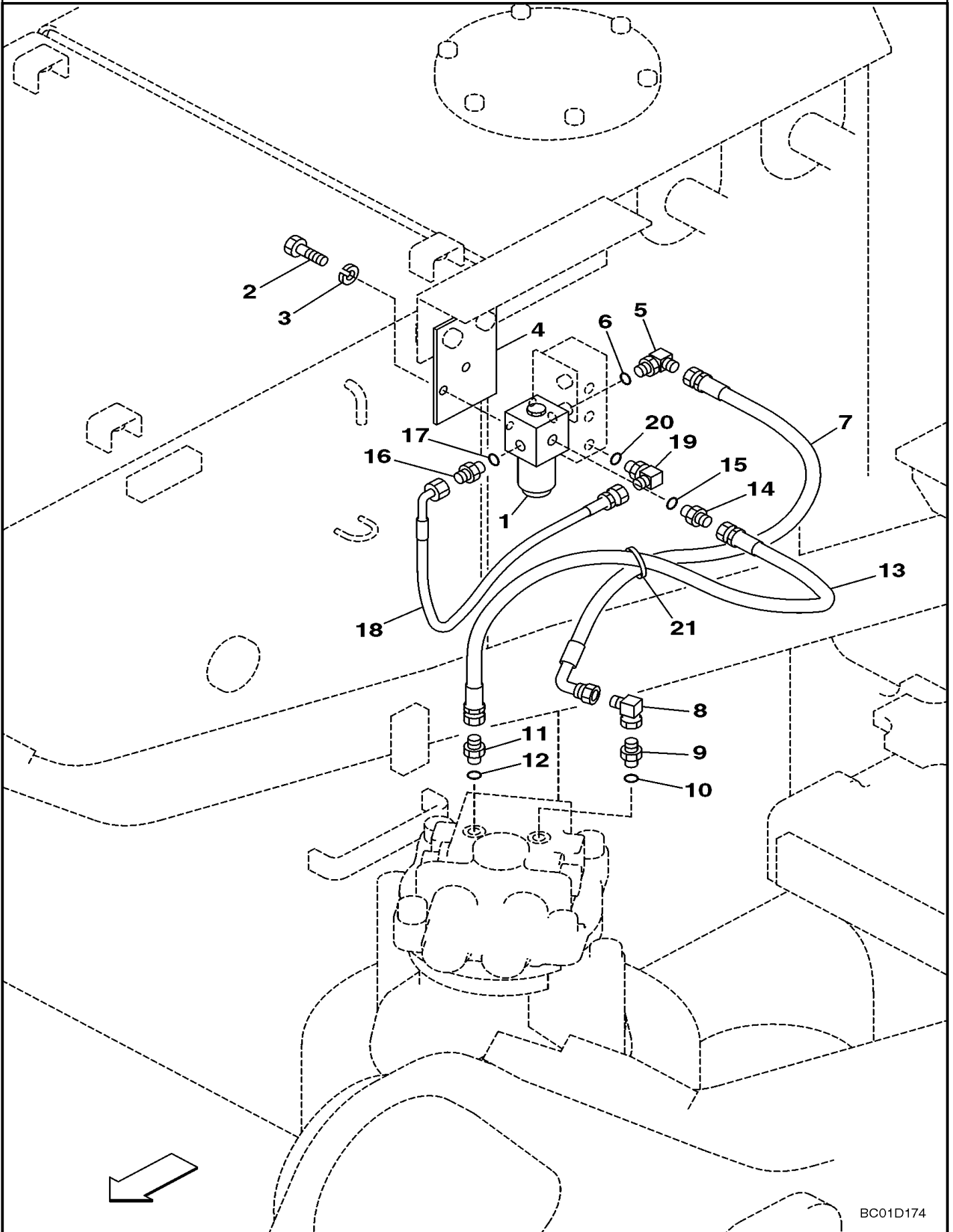
HYDRAULICS - BOOM CYLINDER, MODELS WITH LOAD HOLD



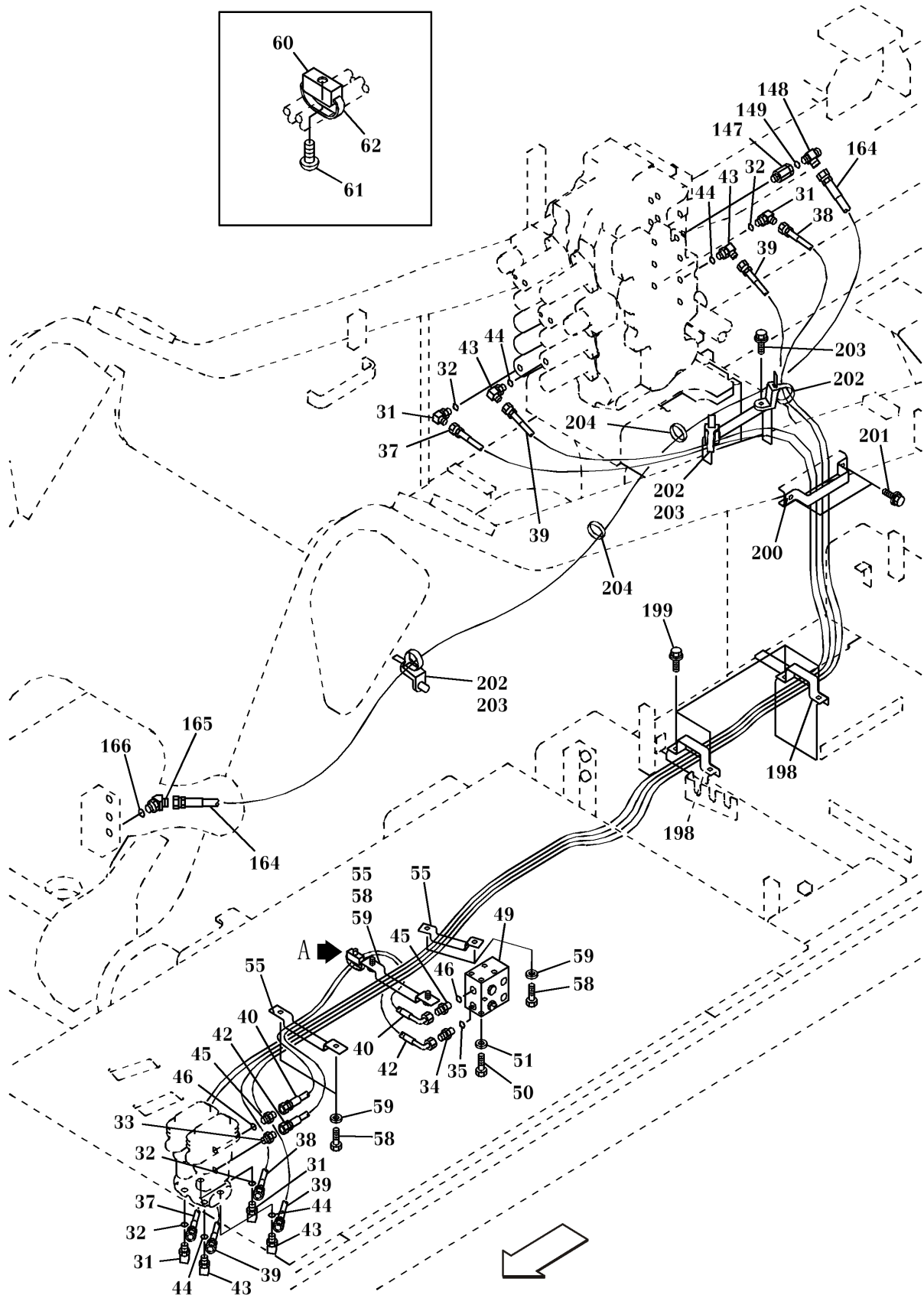
HYDRAULICS - ARM CYLINDER, MODELS WITH LOAD HOLD



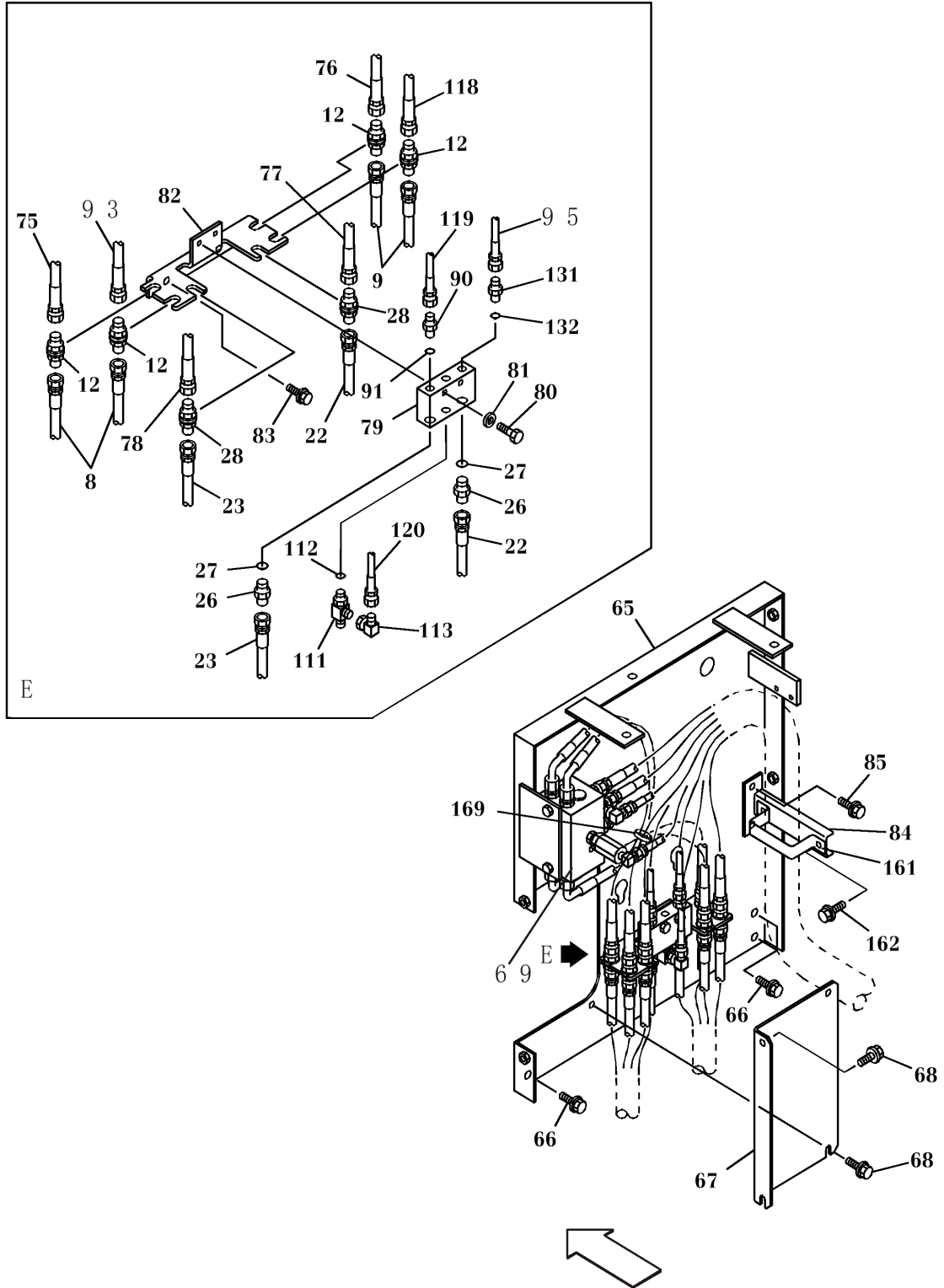
HYDRAULICS - FREE SWING



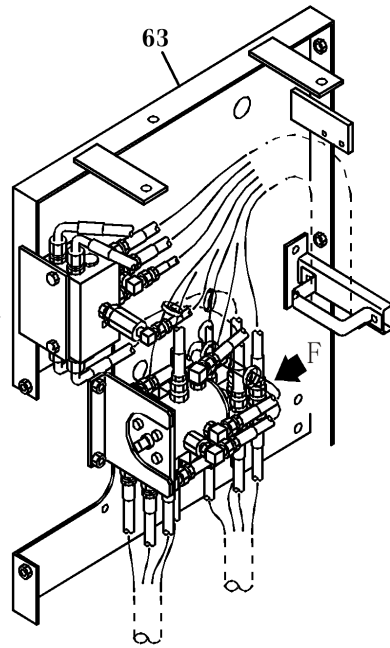
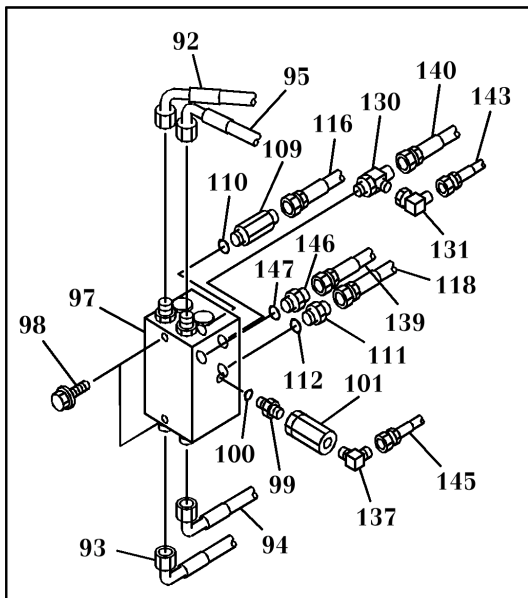
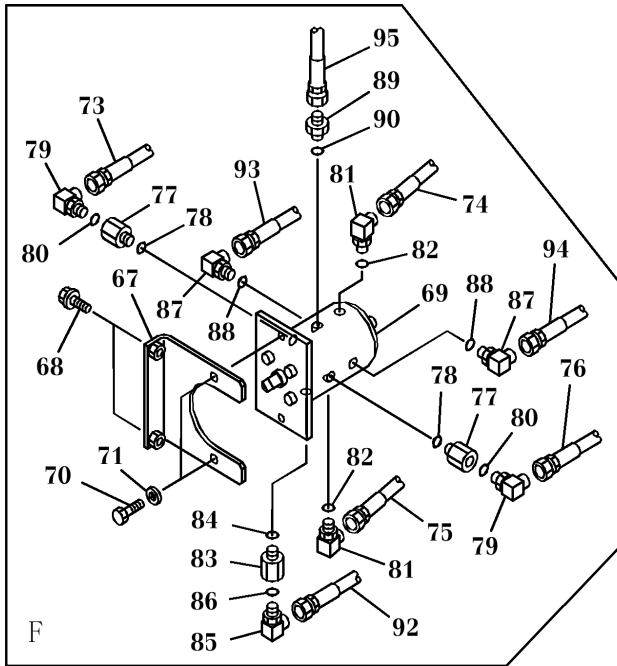
PILOT CONTROL LINES, TRAVEL - MODELS WITH LOAD HOLD & CONTROL SELECTOR VALVE



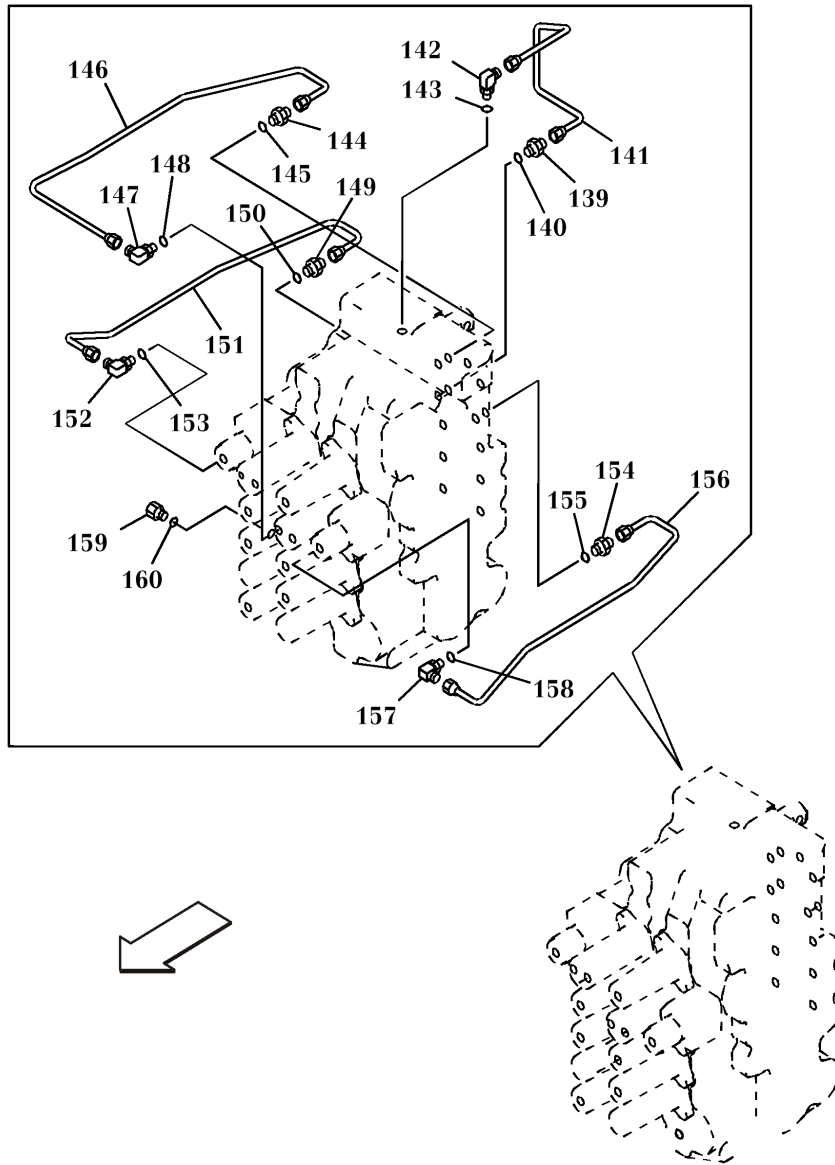
PILOT CONTROL LINES, PARTITION - MODELS WITHOUT LOAD HOLD



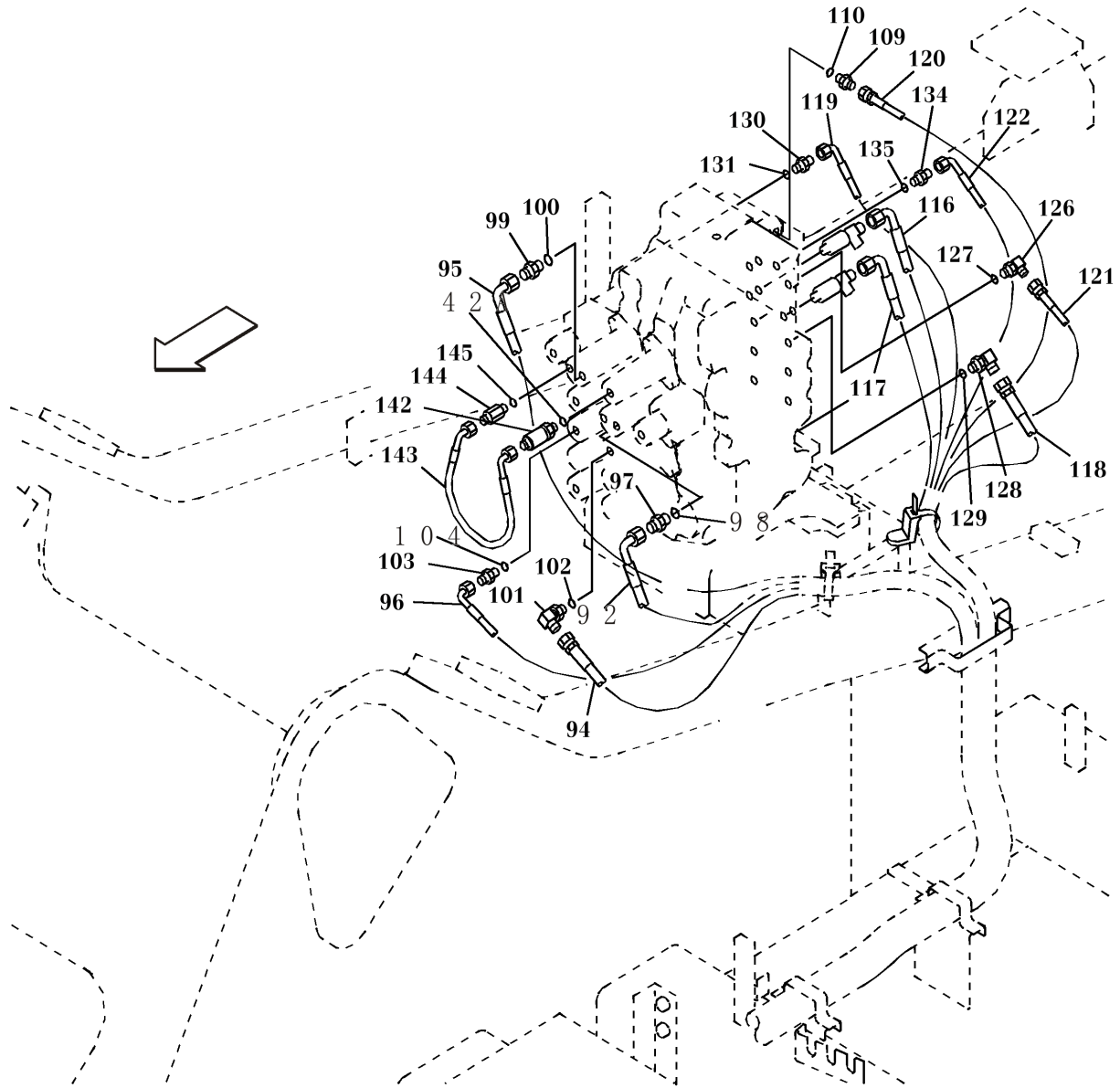
PILOT CONTROL LINES, PARTITION - MODELS WITH CONTROL SELECTOR VALVE



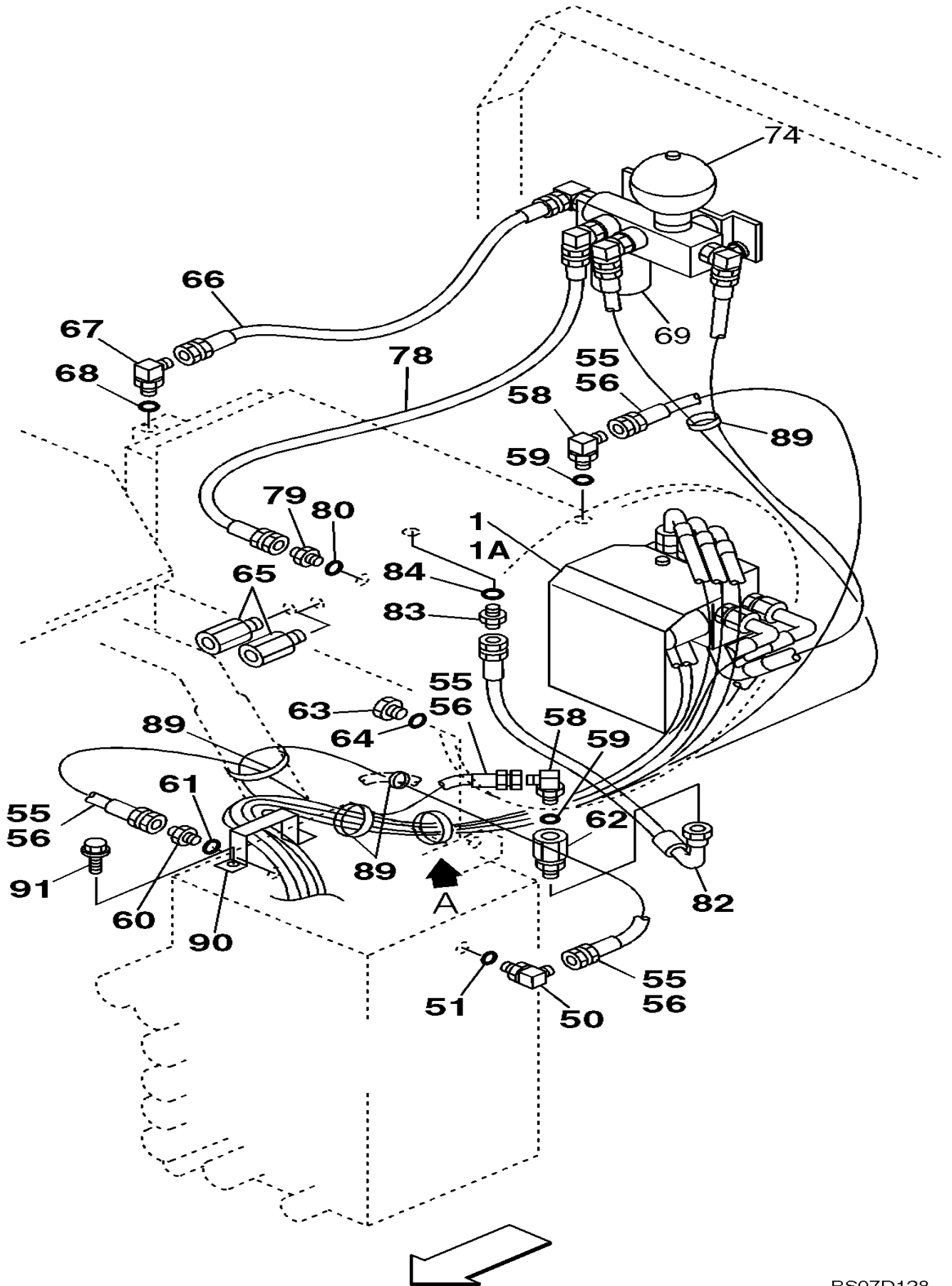
PILOT CONTROL LINES, CONTROL VALVE - MODELS WITHOUT LOAD HOLD



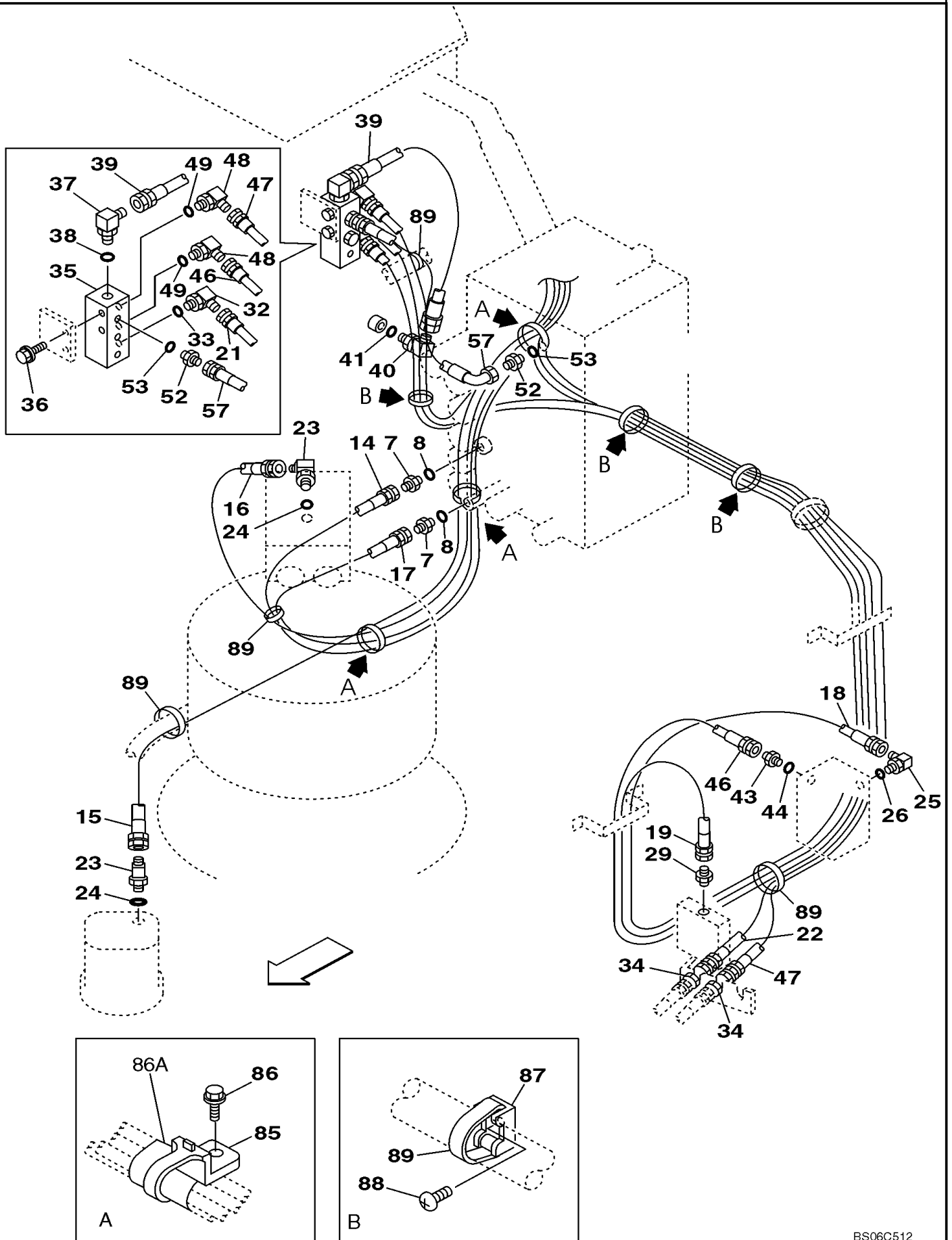
PILOT CONTROL LINES, CONTROL VALVE - MODELS WITH LOAD HOLD



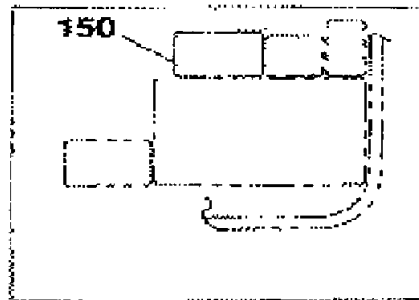
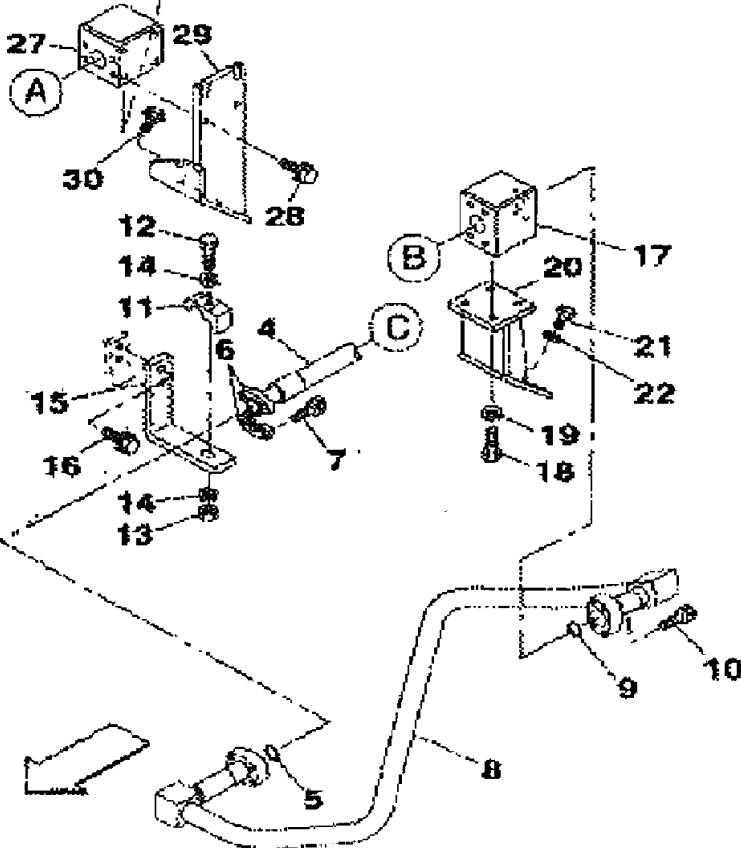
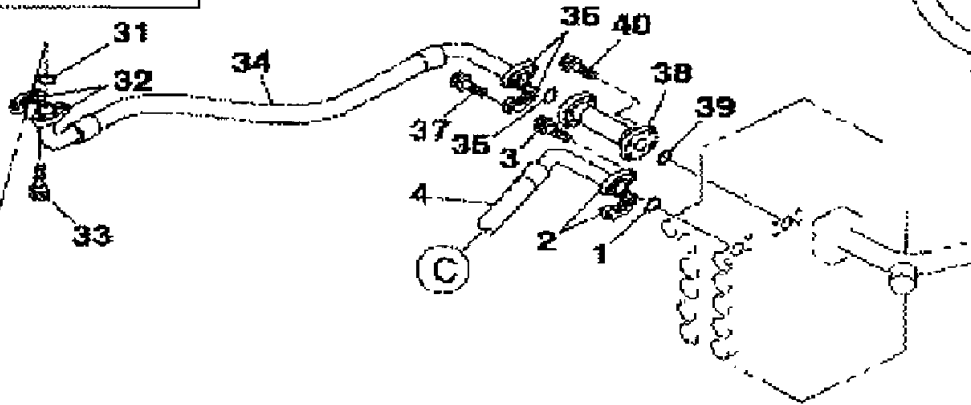
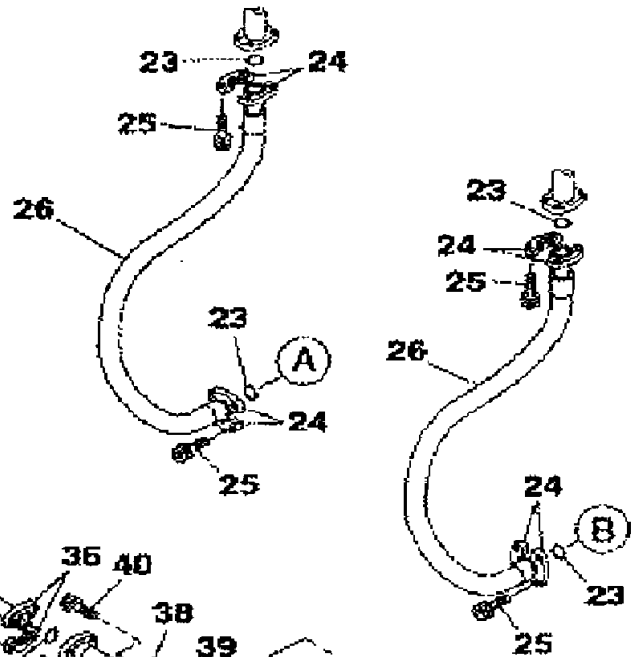
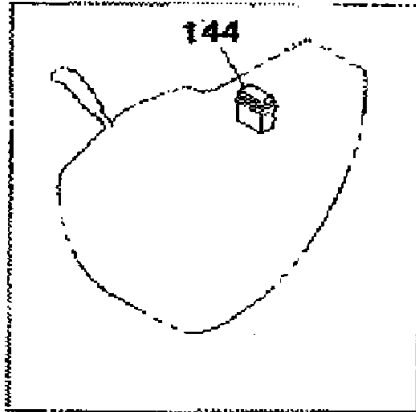
HYDRAULICS - PILOT PRESSURE, RETURN LINES



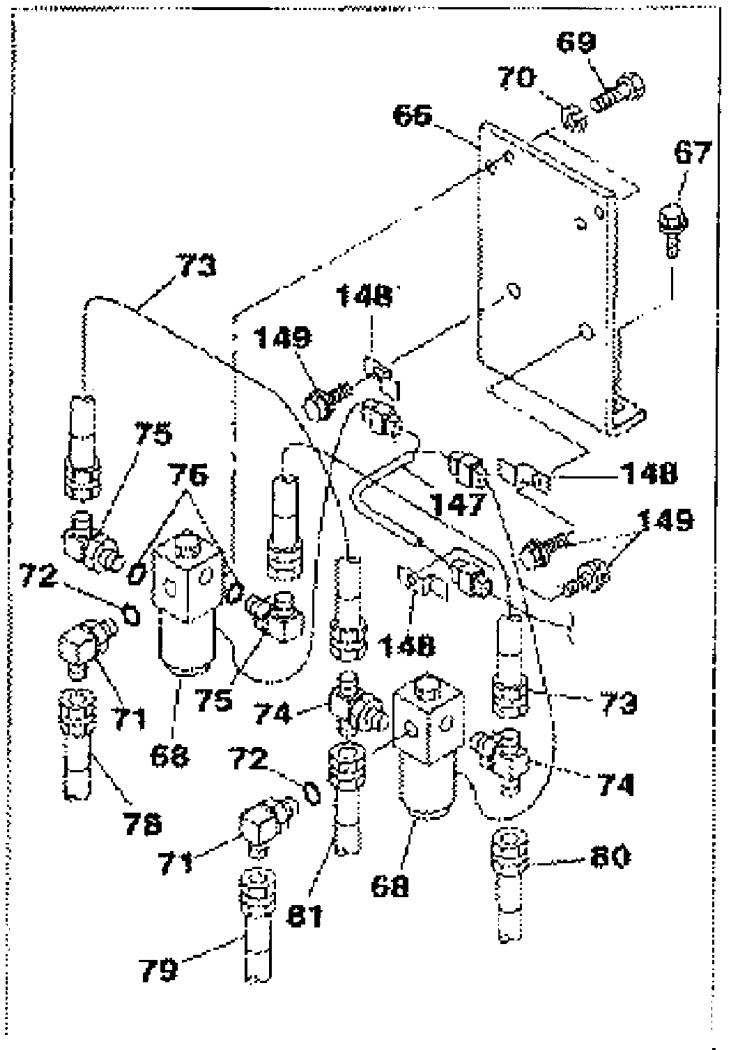
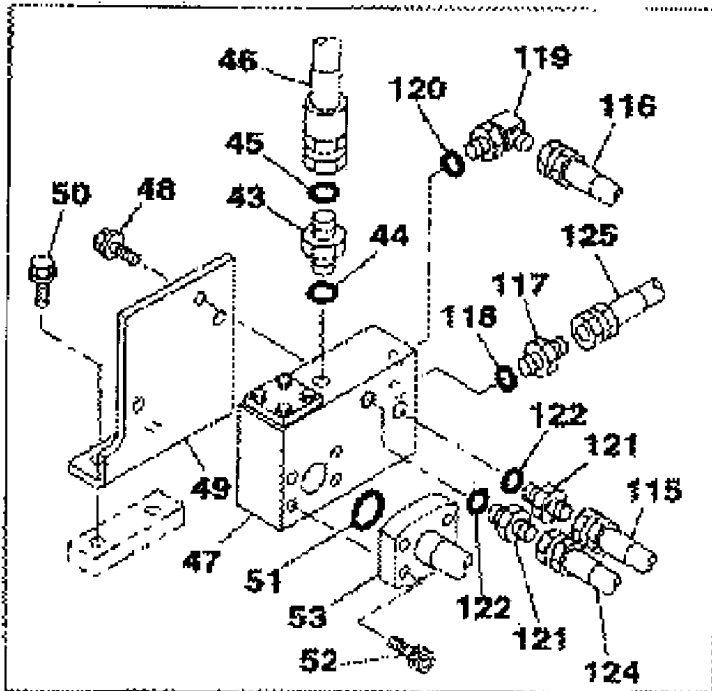
HYDRAULICS - PILOT PRESSURE, RETURN LINES



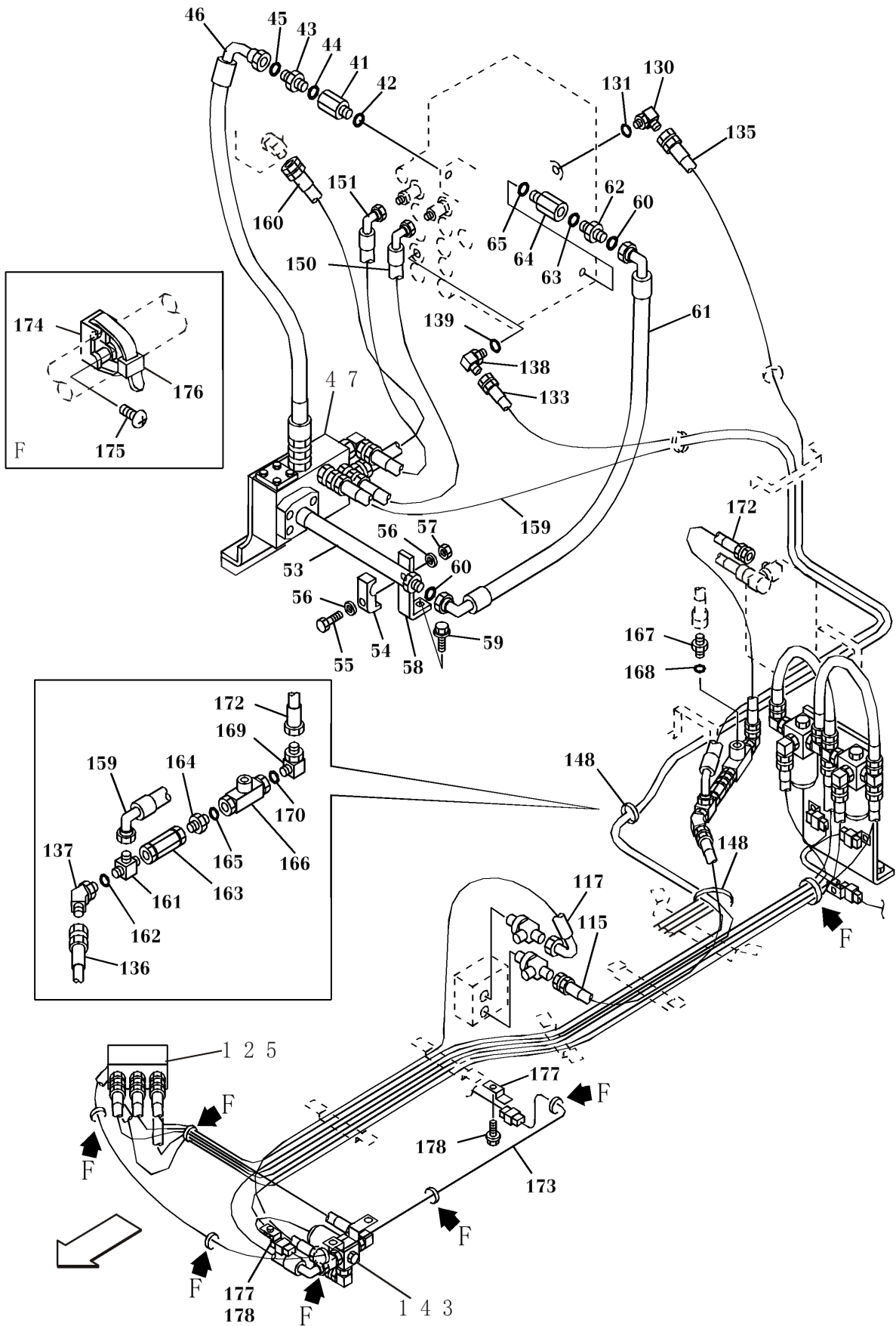
HYDRAULICS, AUXILIARY - DOUBLE ACTING CIRCUIT, TRIGGER ACTIVATED



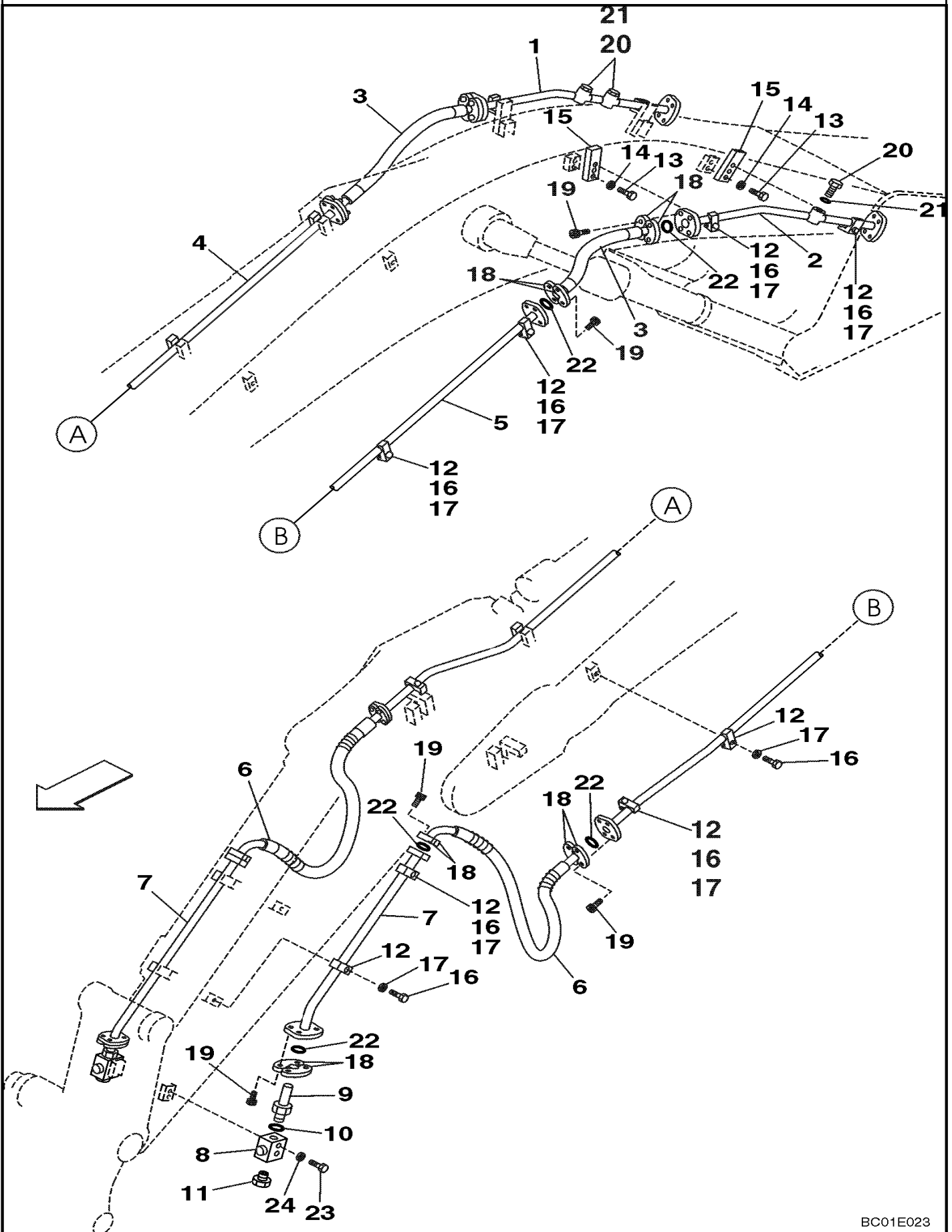
HYDRAULICS, AUXILIARY - DOUBLE ACTING CIRCUIT, TRIGGER ACTIVATED



HYDRAULICS, AUXILIARY - MULTI-PURPOSE + 3 WAY VALVE, TRIGGER ACTIVATED



HYDRAULICS, AUXILIARY ATTACHMENT - TRIGGER ACTIVATED, 3,25 M (10 FT 8 IN) ARM



CLICK HERE TO **DOWNLOAD** THE COMPLETE MANUAL

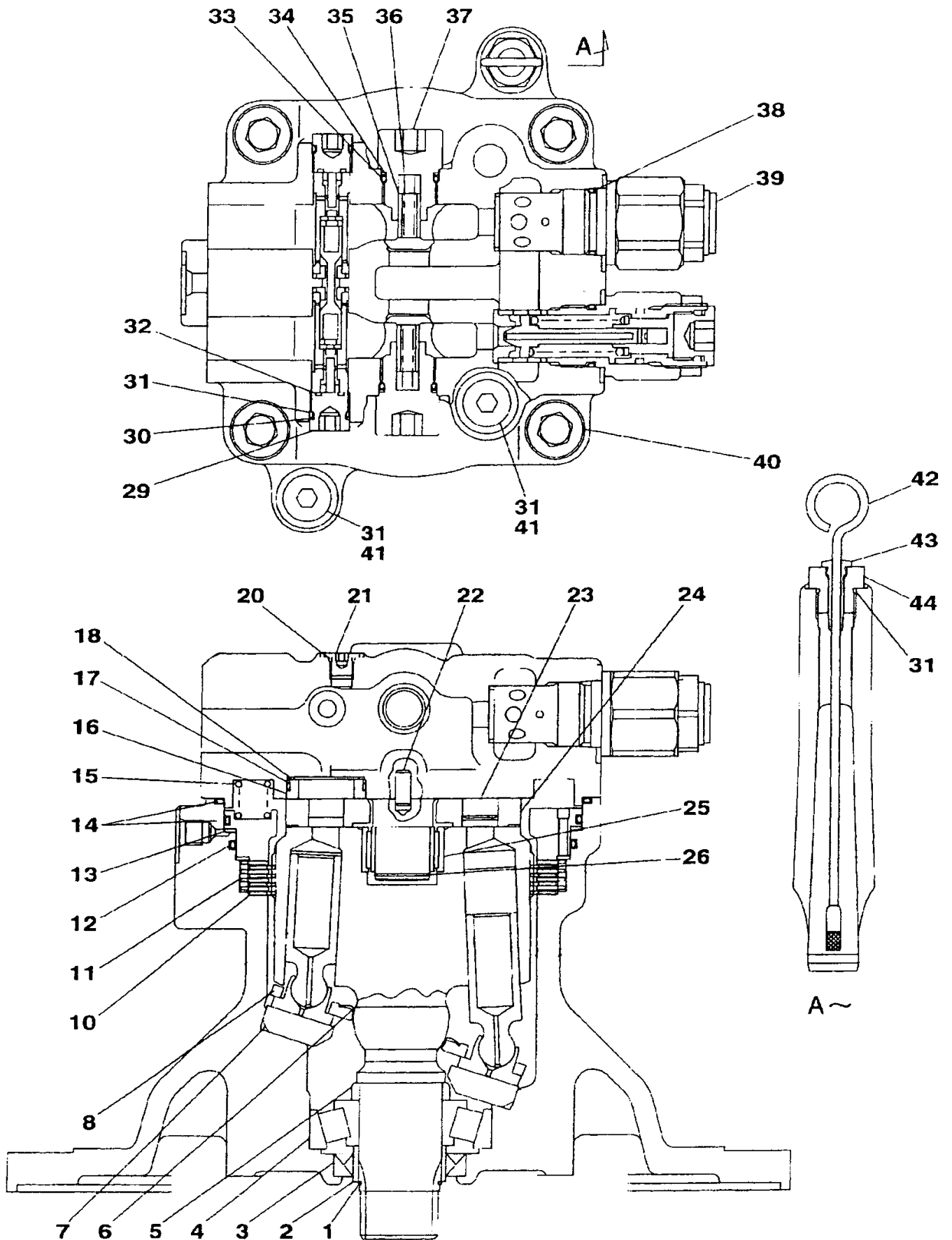
- Thank you very much for reading the preview of the manual.
- You can download the complete manual from: www.heydownloads.com by clicking the link below



- Please note: If there is no response to CLICKING the link, please download this PDF first and then click on it.

CLICK HERE TO **DOWNLOAD** THE COMPLETE MANUAL

MOTOR ASSY - SWING

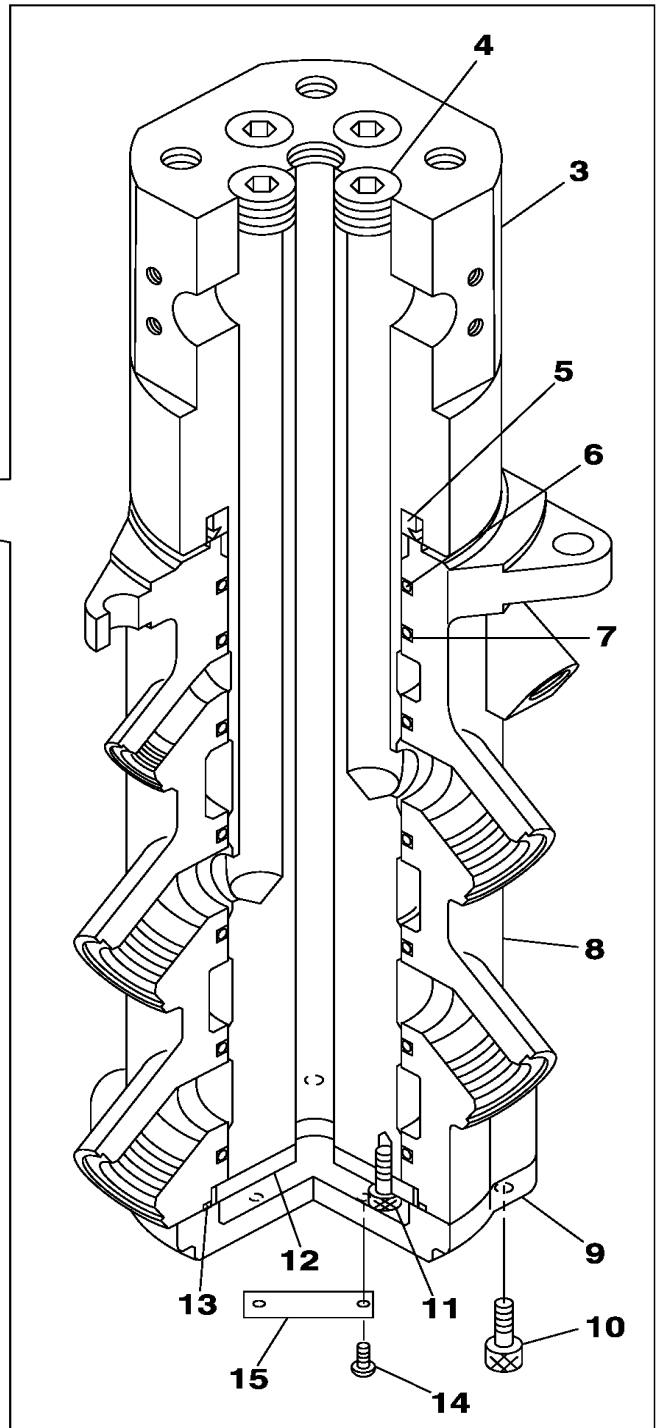
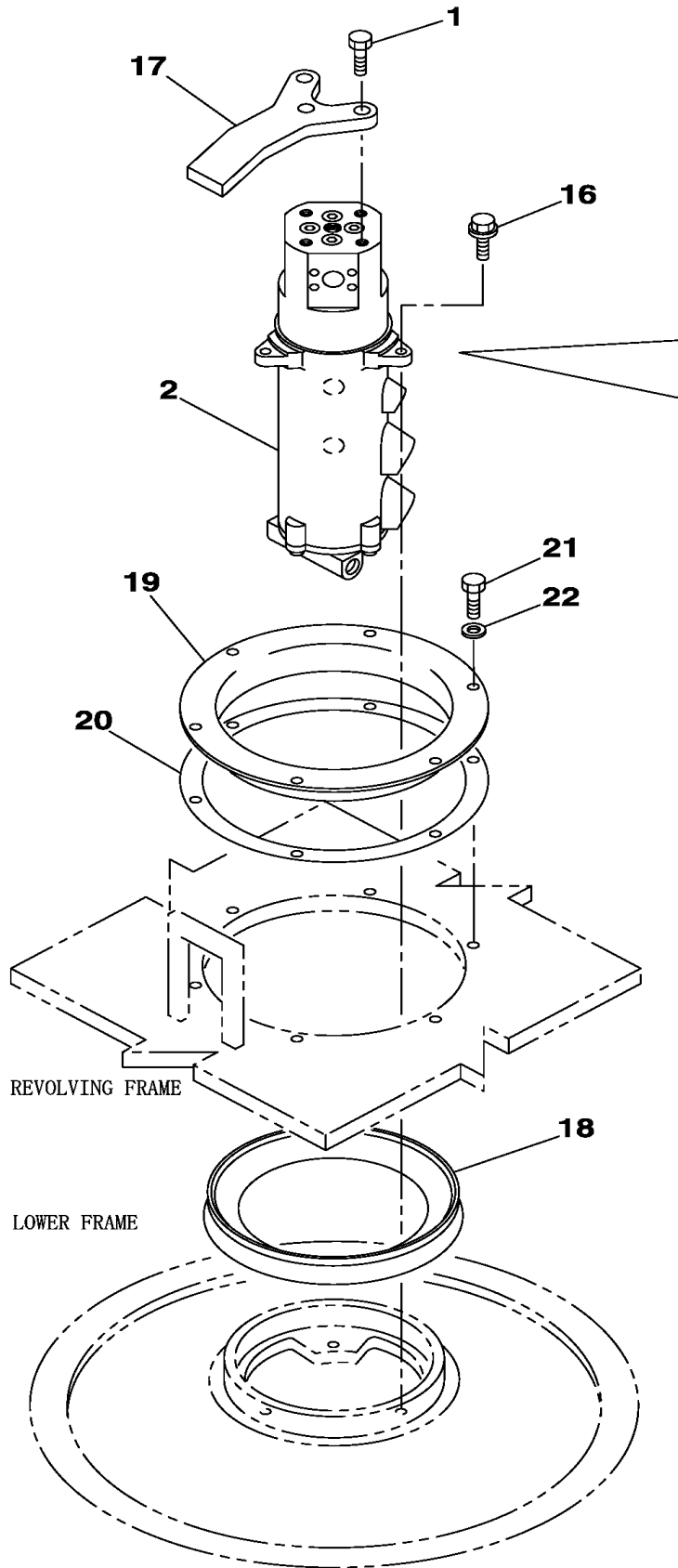


08-63A

p1

10/202
0

HYDRAULICS - JOINT, SWIVEL CENTER (P.I.N. DAC 0733255 -)

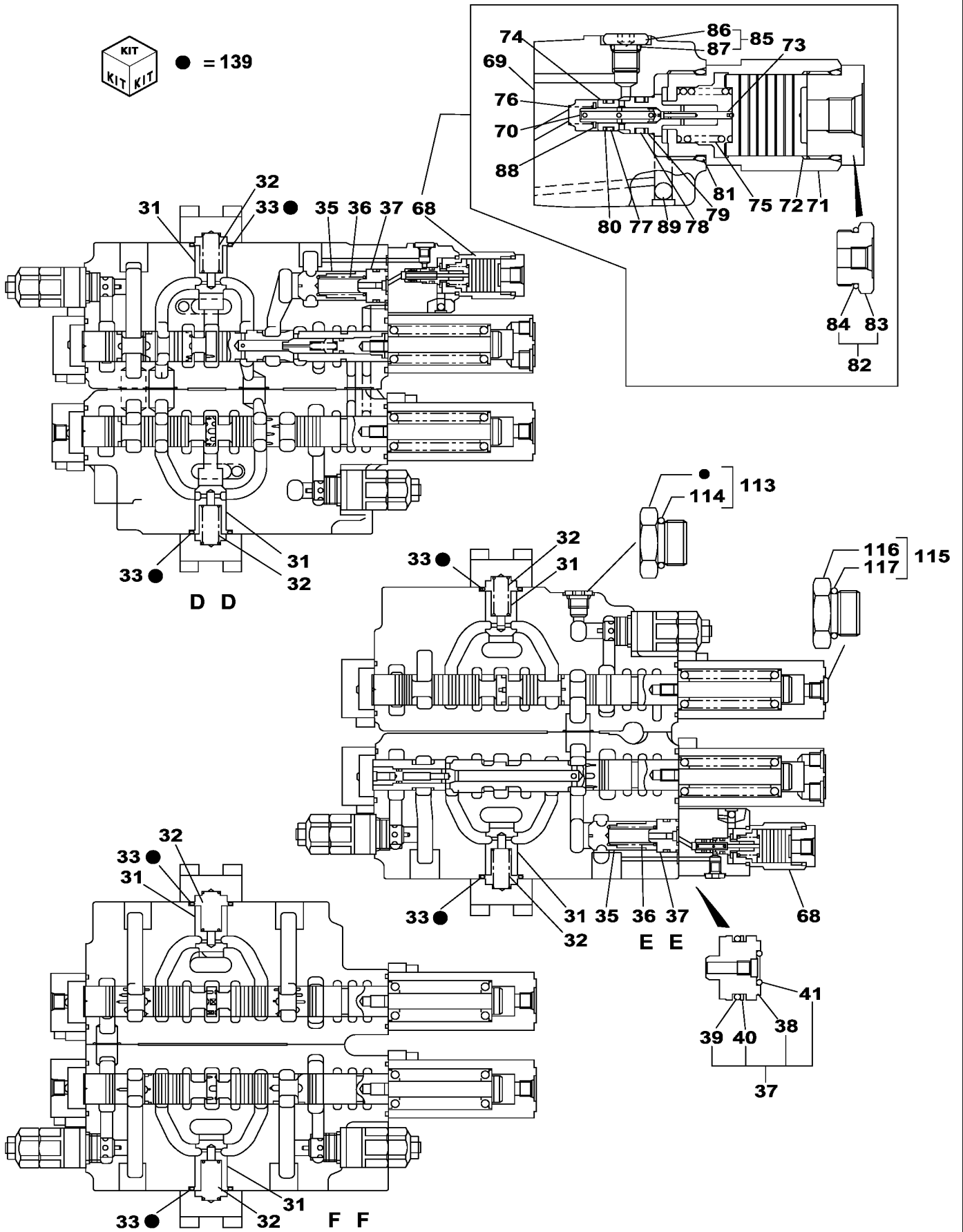


FRONT

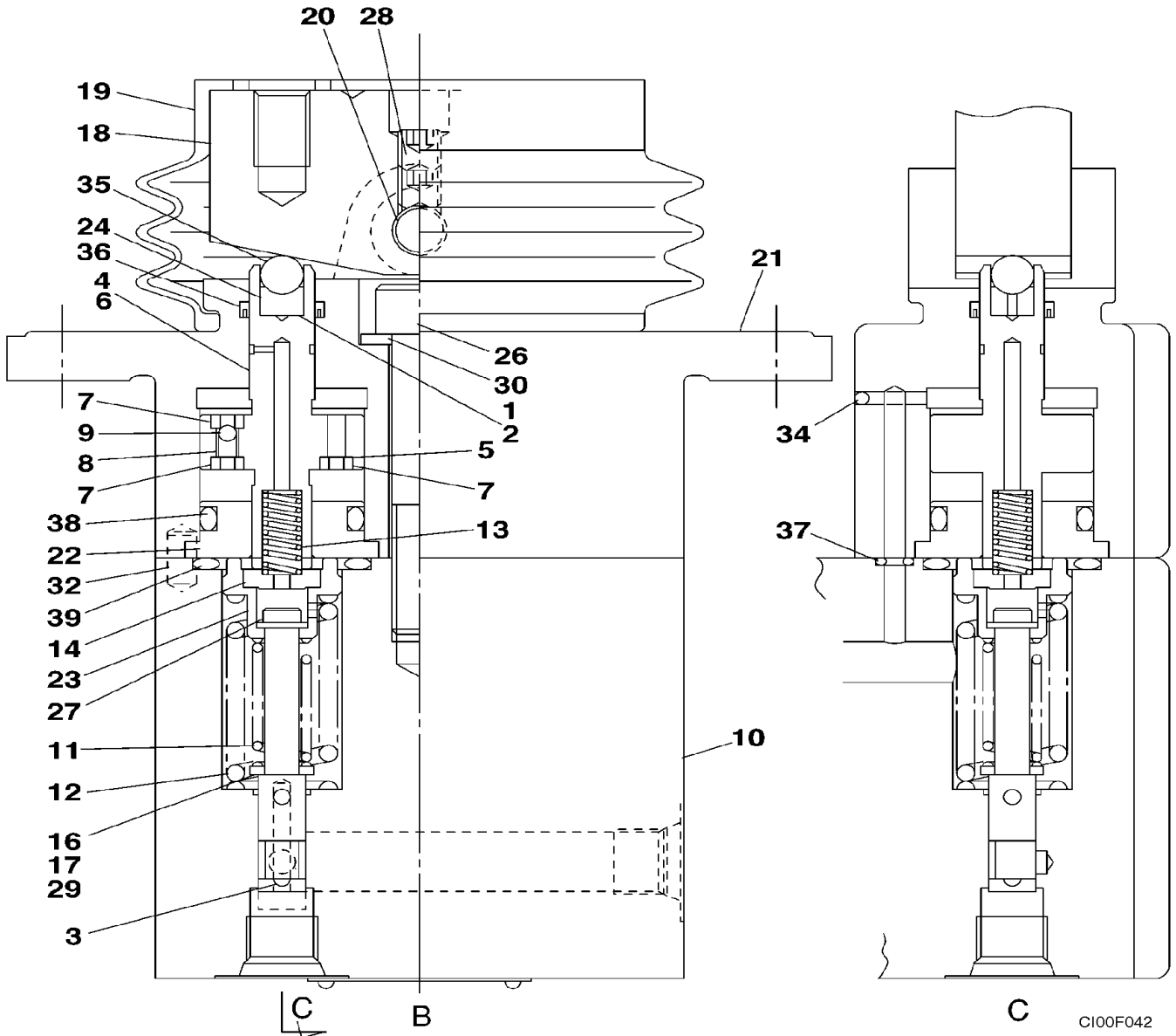
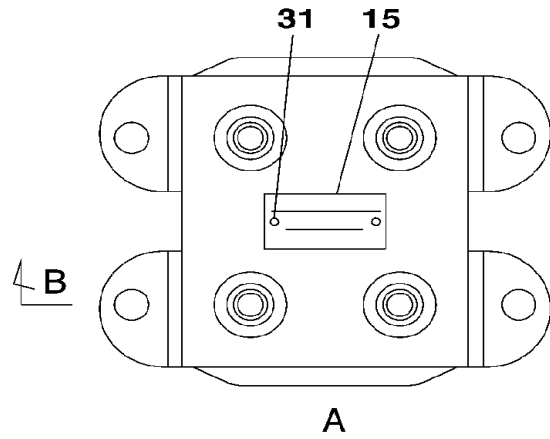
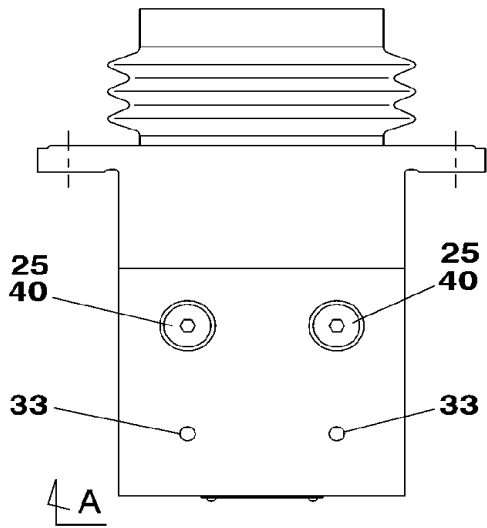
CONTROL VALVE



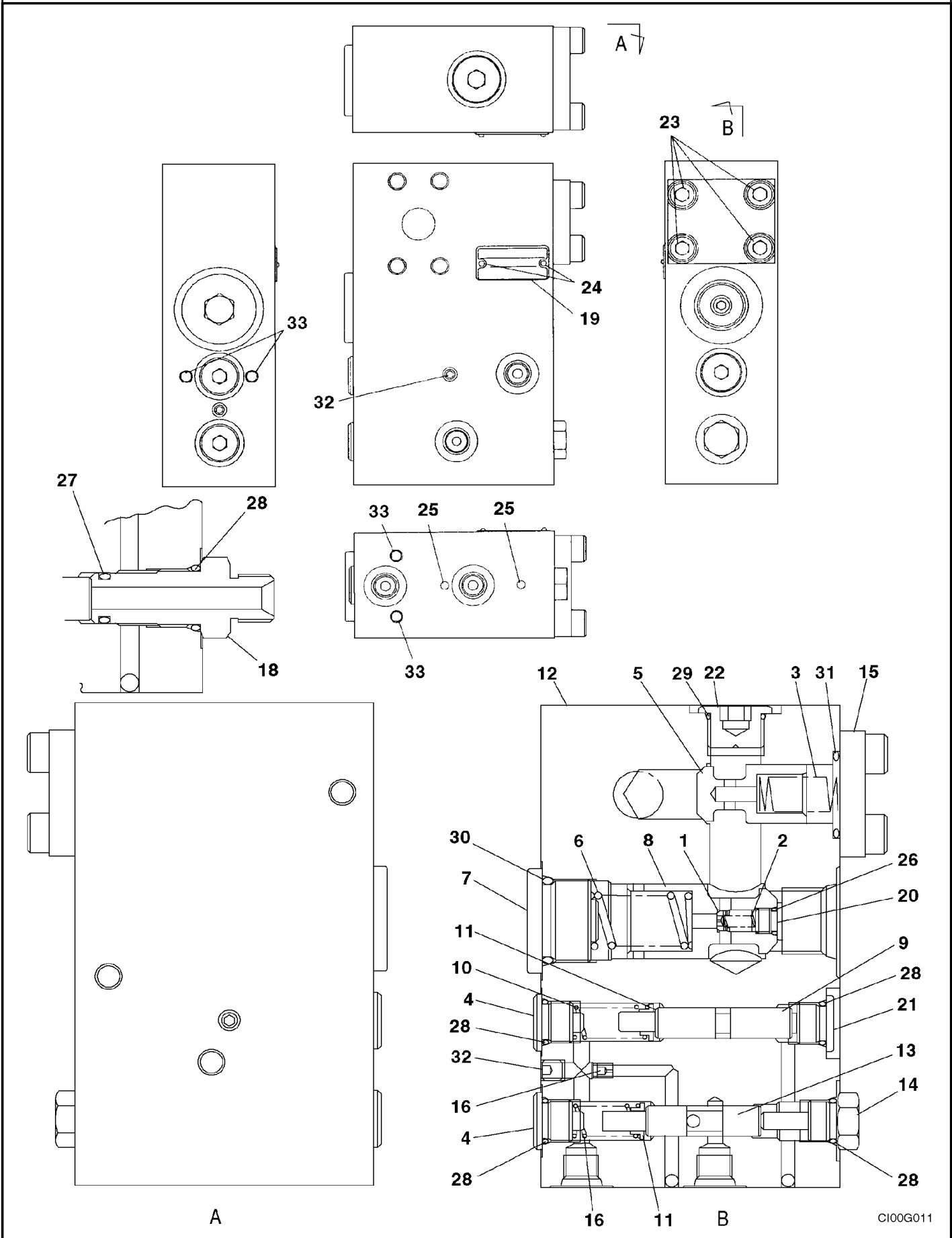
● = 139



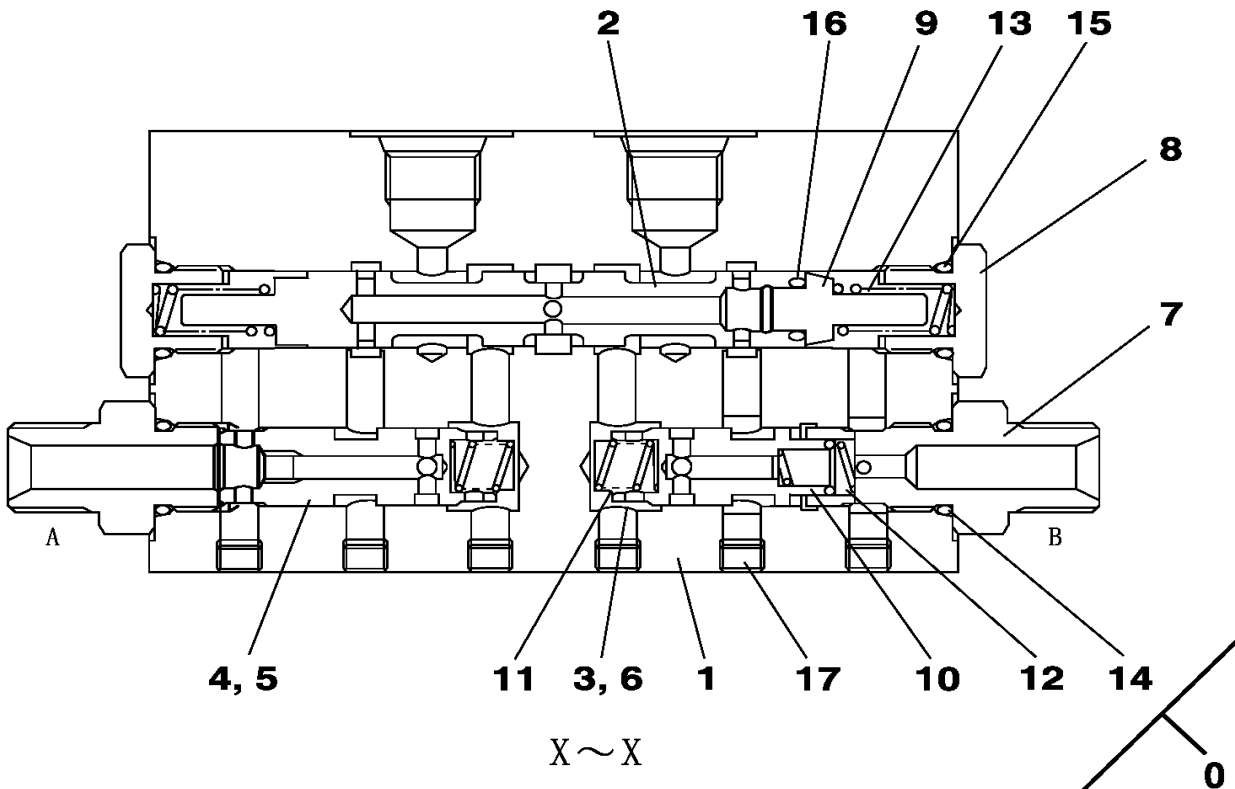
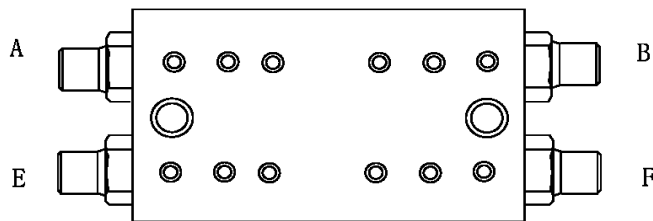
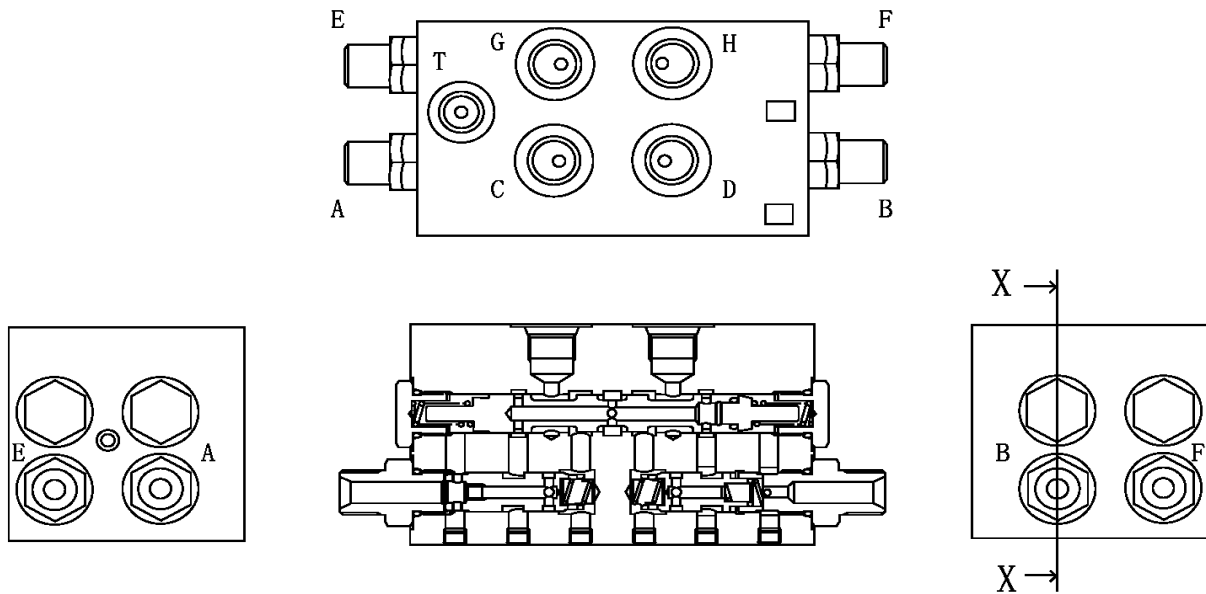
VALVE, CONTROL - TRAVEL



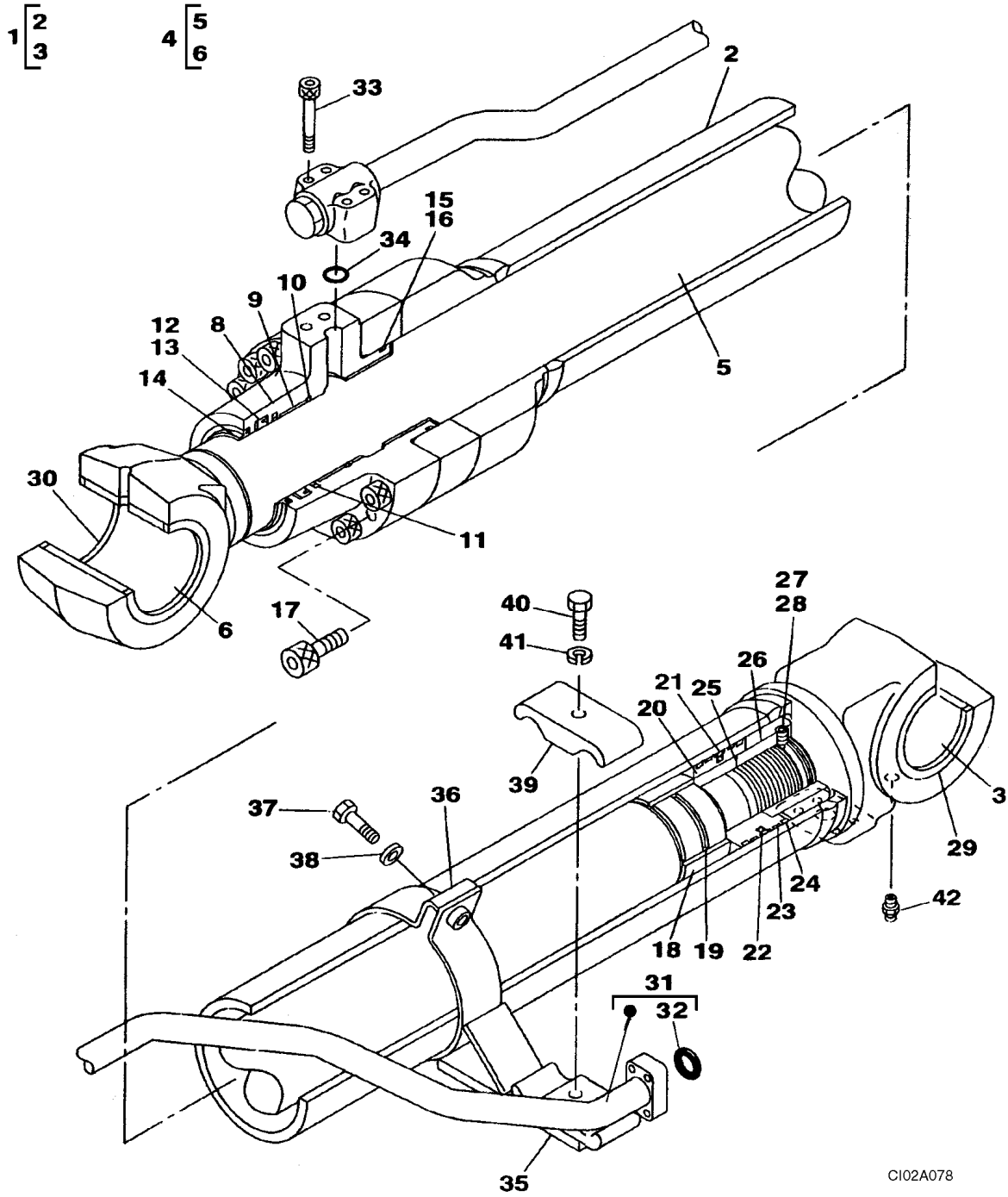
VALVE ASSY, RELIEF - FLOW CONTROL



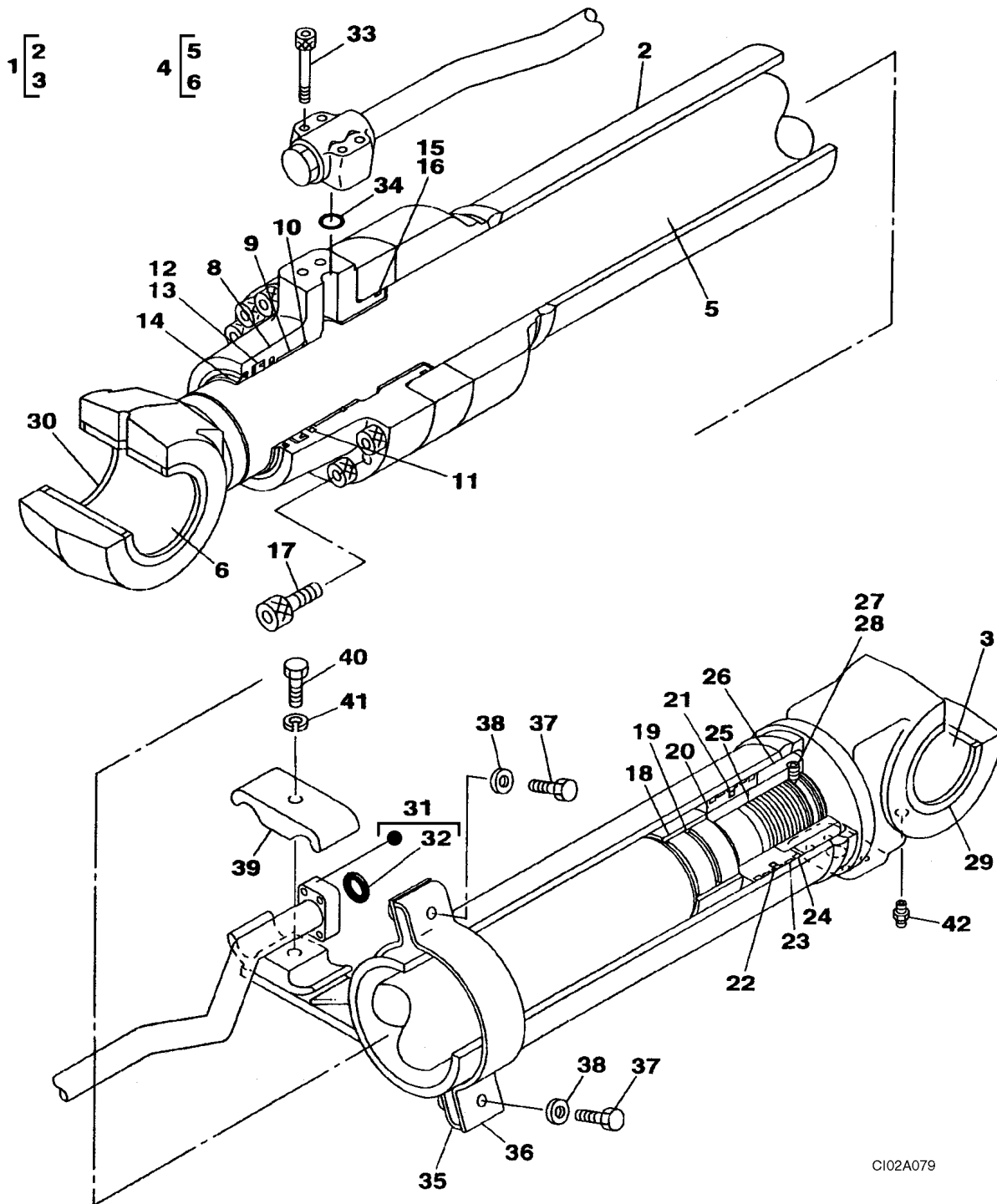
CUSHION VALVE - PILOT (MODELS WITHOUT LOAD HOLD)



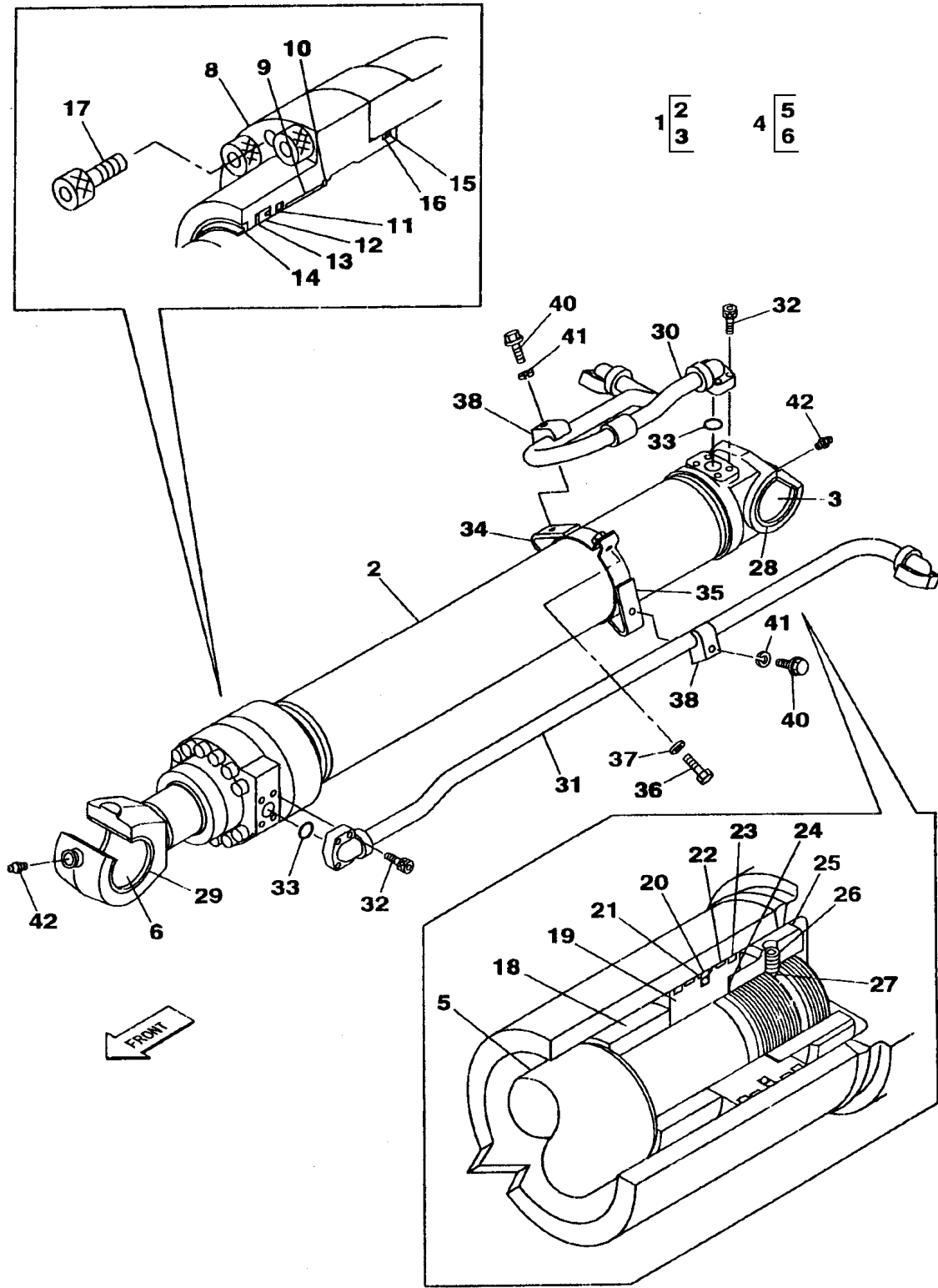
CYLINDER ASSY, BOOM, RIGHT HAND - MODELS WITH LOAD HOLD



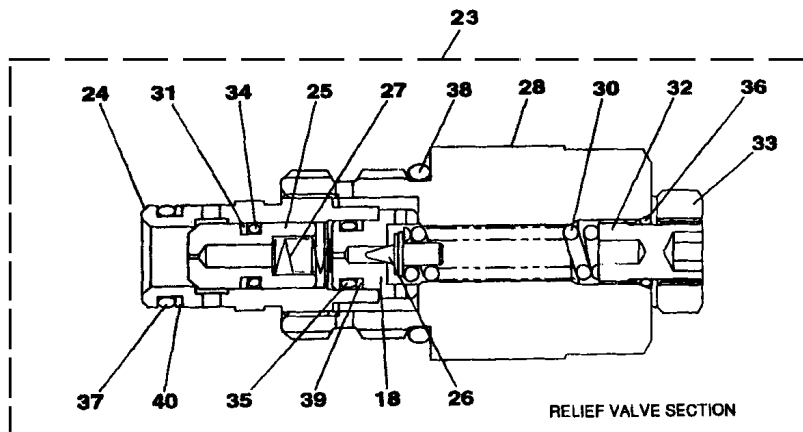
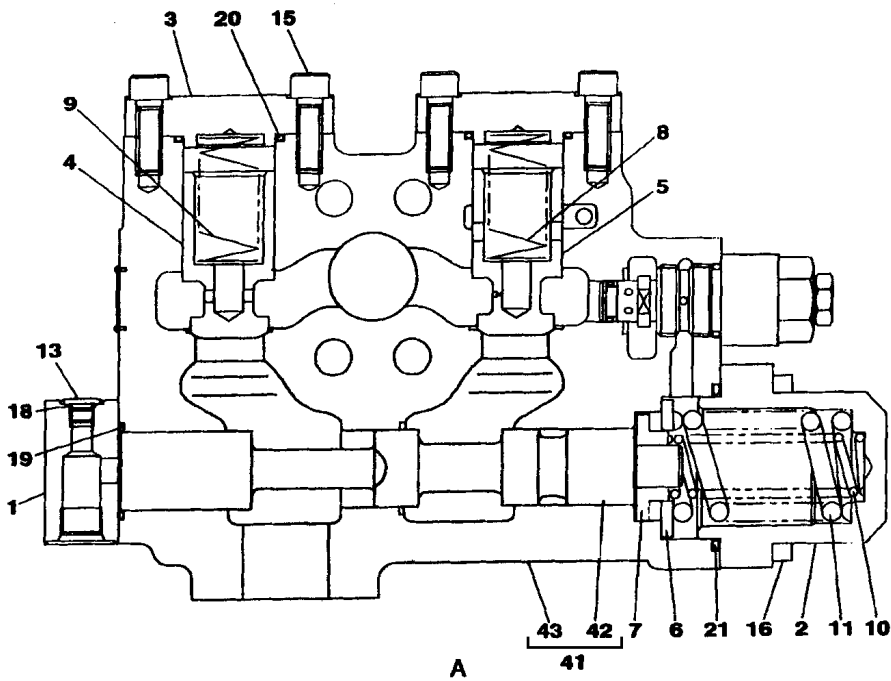
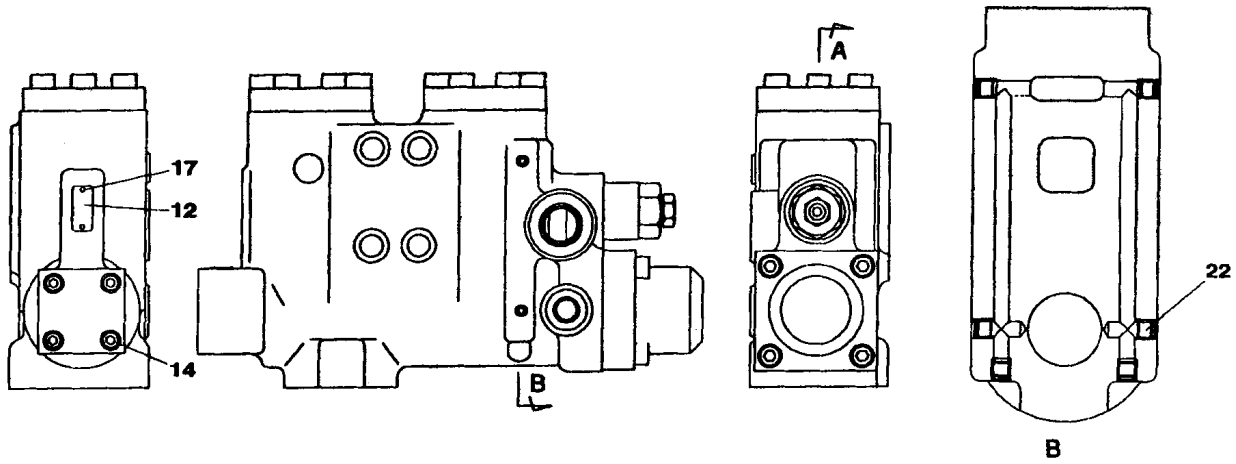
CYLINDER ASSY, BOOM, LEFT HAND - MODELS WITH LOAD HOLD



CYLINDER ASSY, BUCKET



VALVE ASSY, RELIEF - ARM CYLINDER, MODELS WITH LOAD HOLD



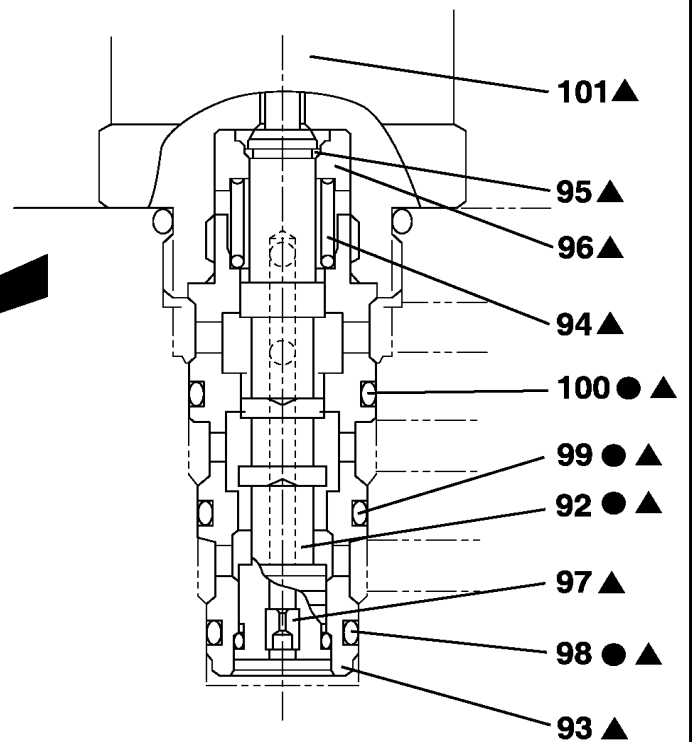
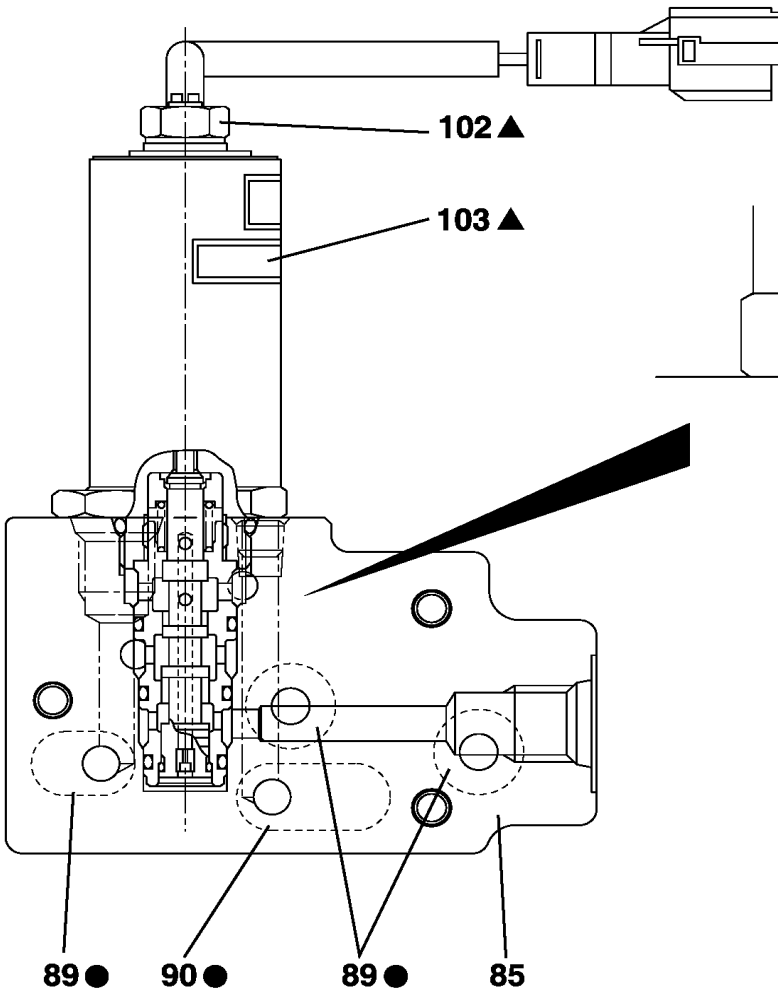
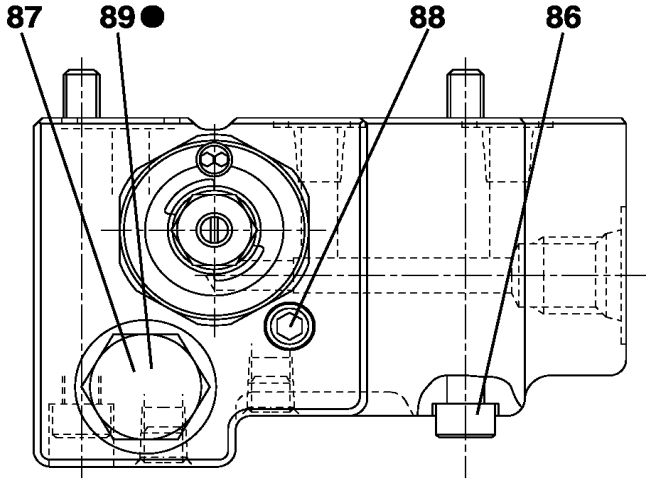
HIGH PRESSURE PUMP - SOLENOID VALVE (STANDARD)



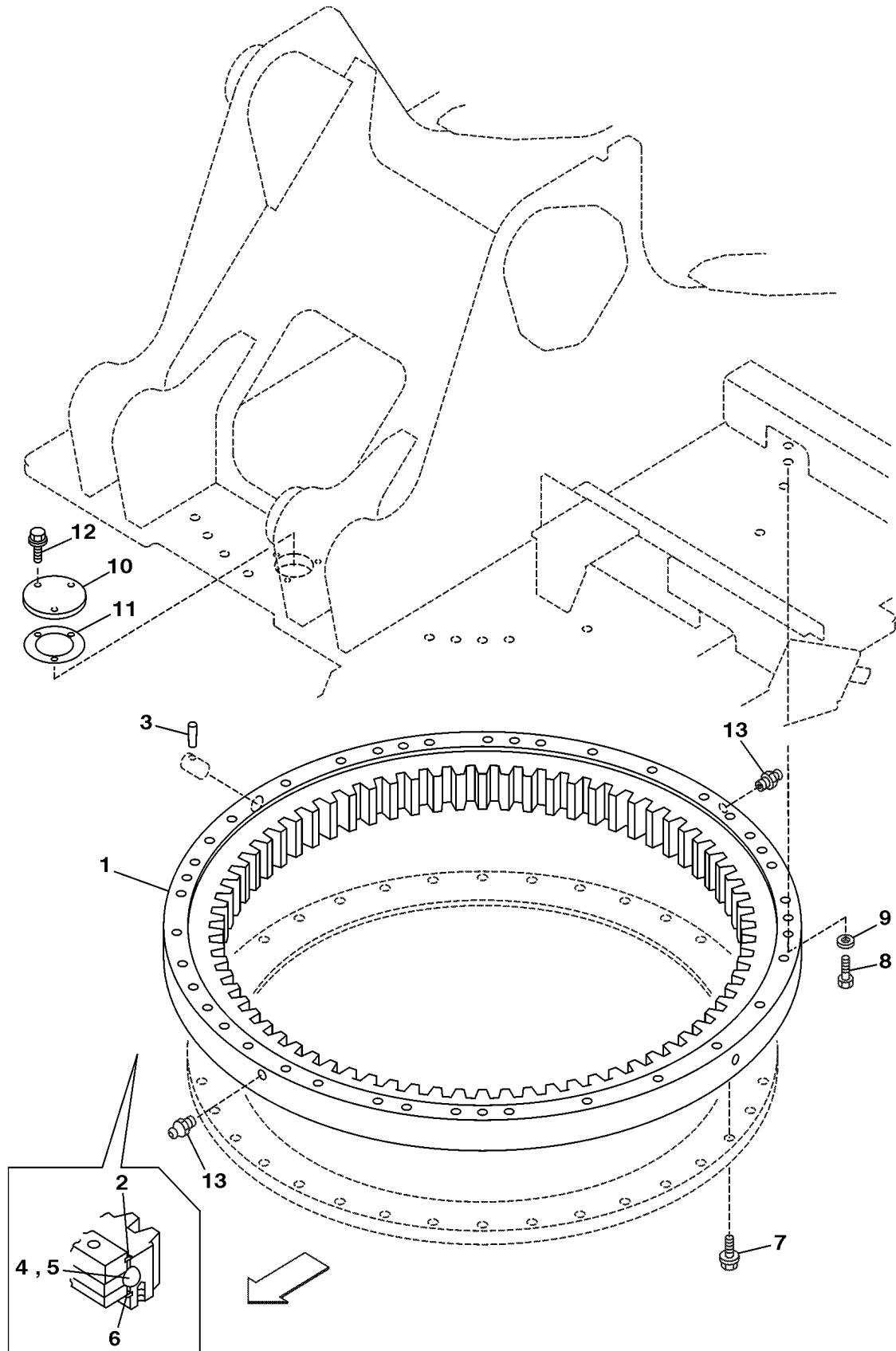
● = 163



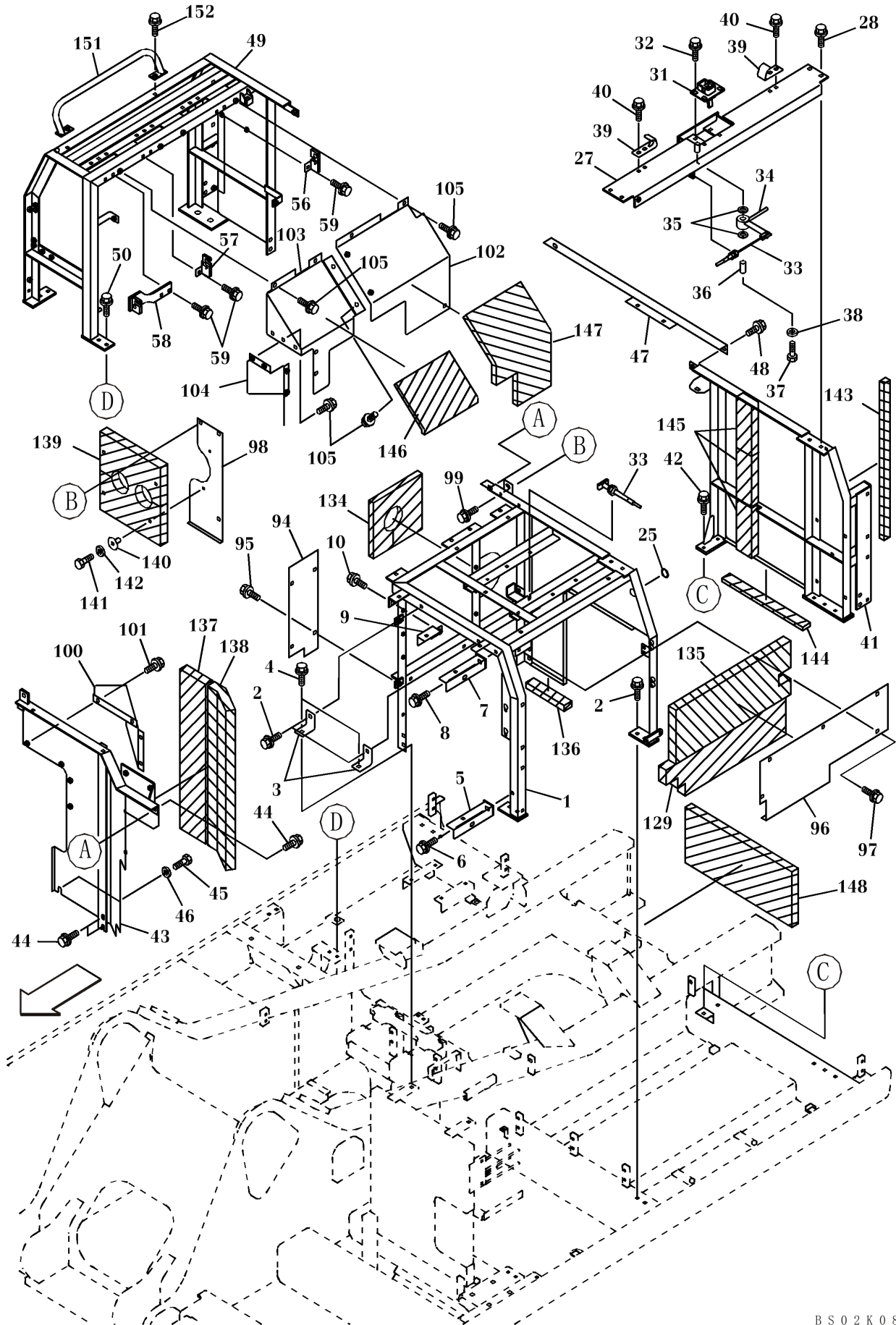
▲ = 91



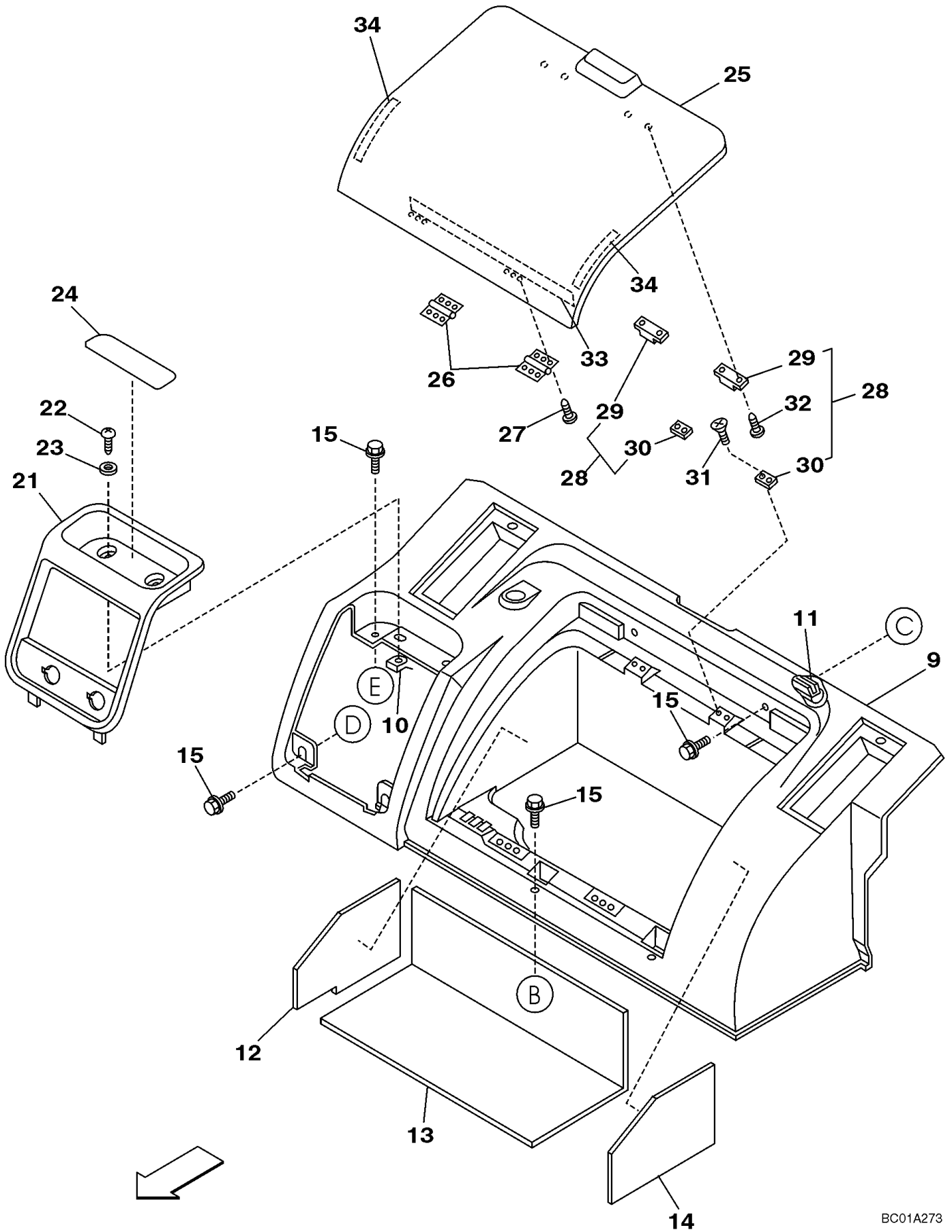
TURNTABLE BEARING



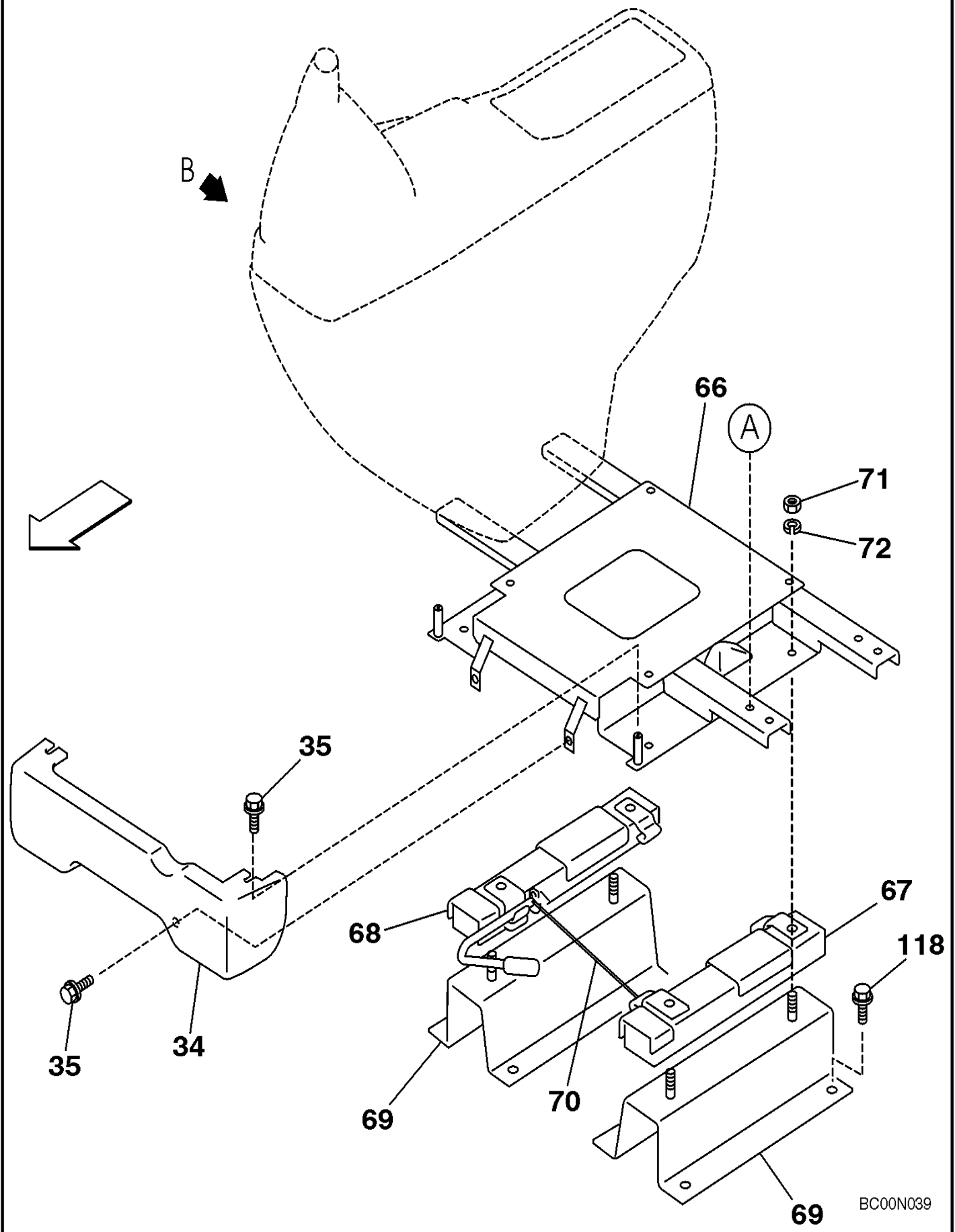
FRAMES, COVERS - INSULATION



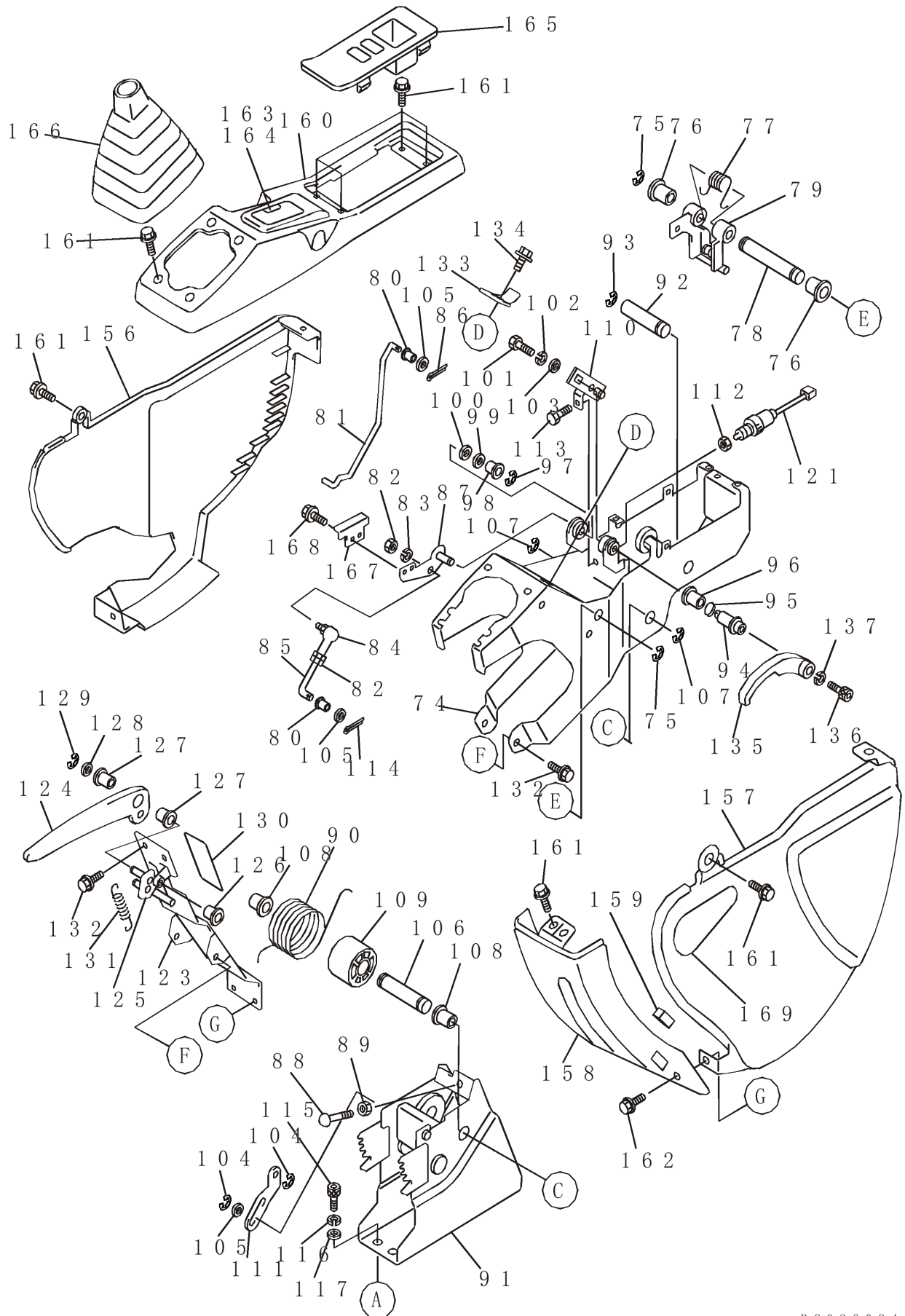
CONSOLE, CONTROL - OPERATORS COMPARTMENT



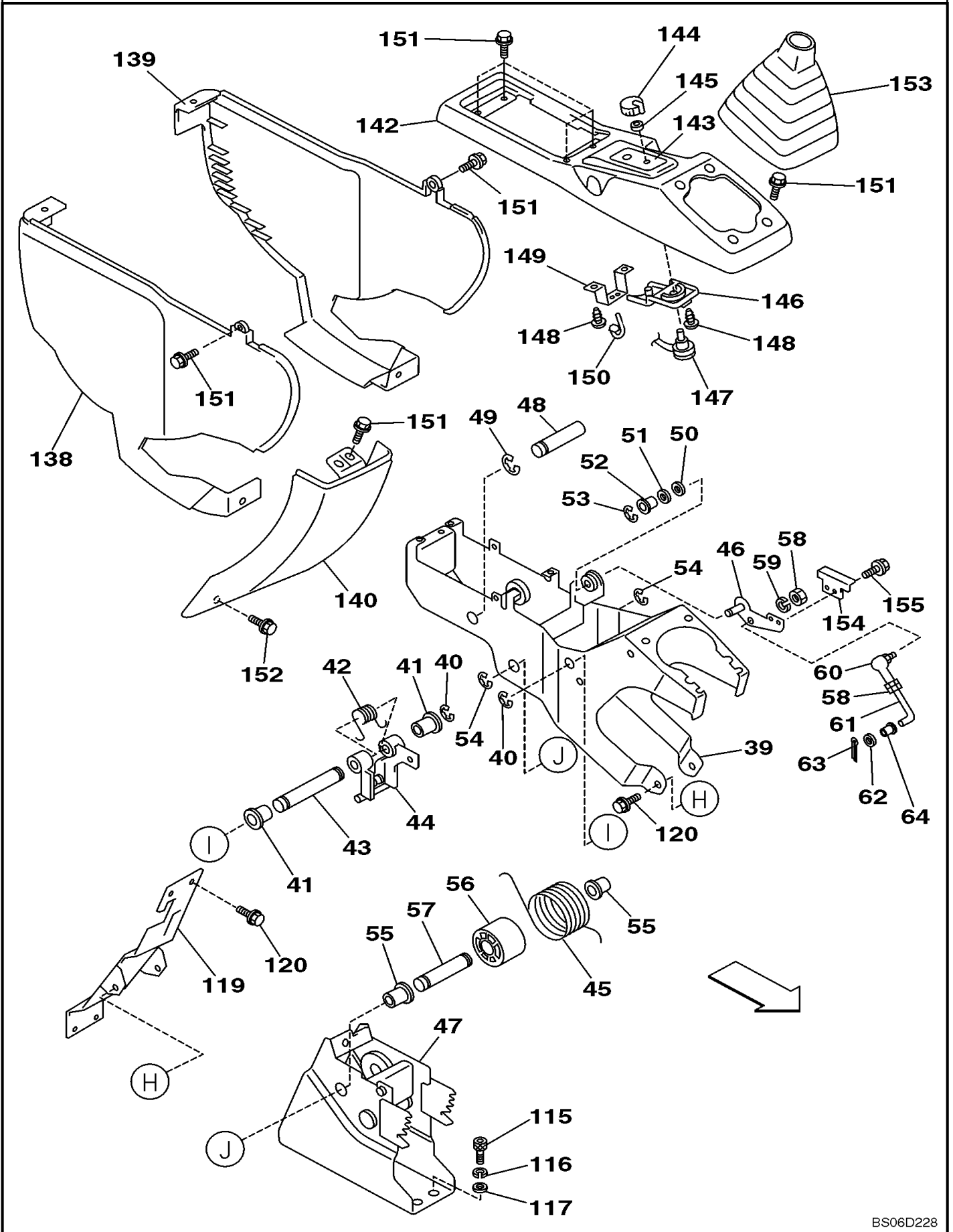
SEAT, MOUNTING



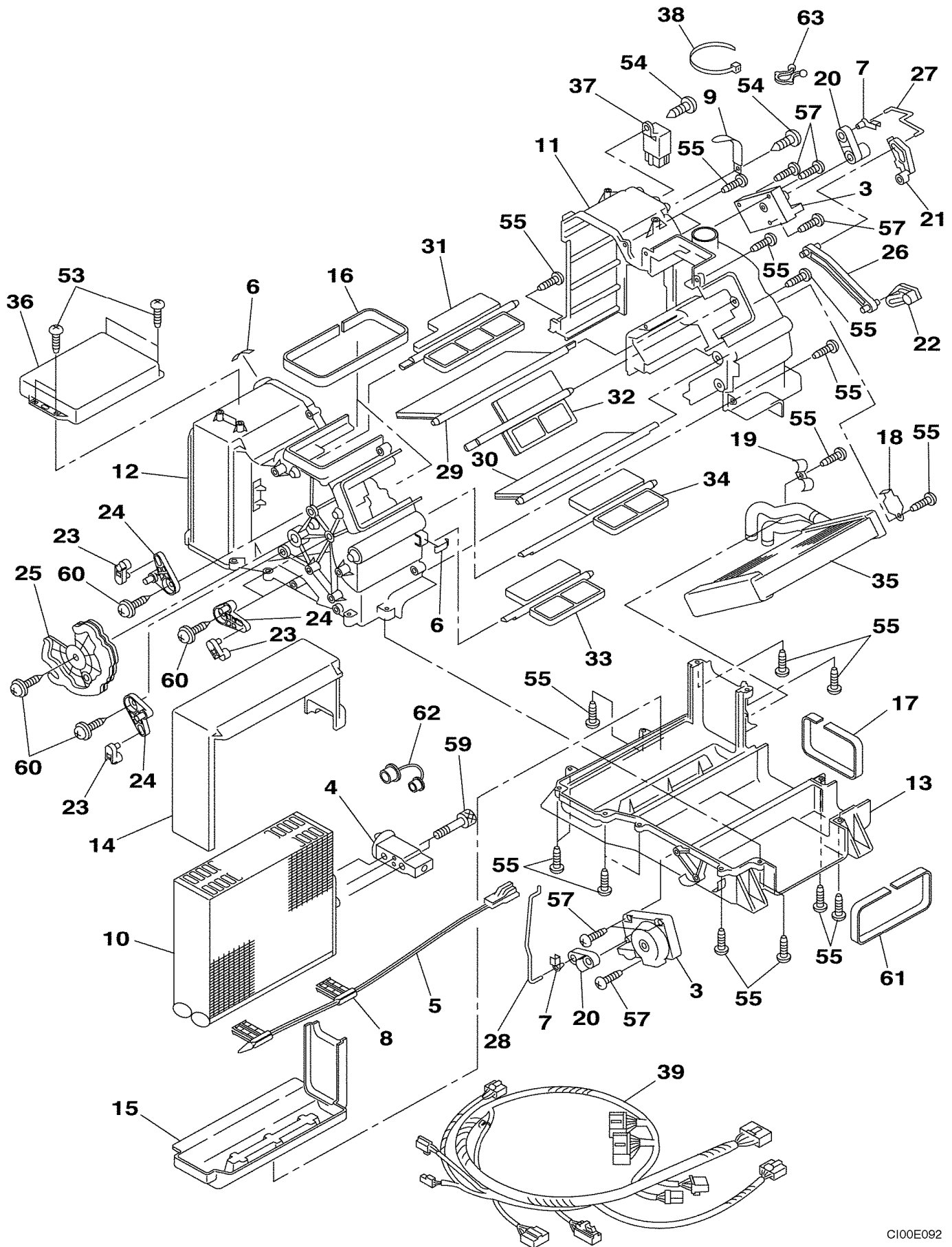
HAND CONTROL, LEFT-HAND ARM (P.I.N. DAC0733255 -) - WHEAT



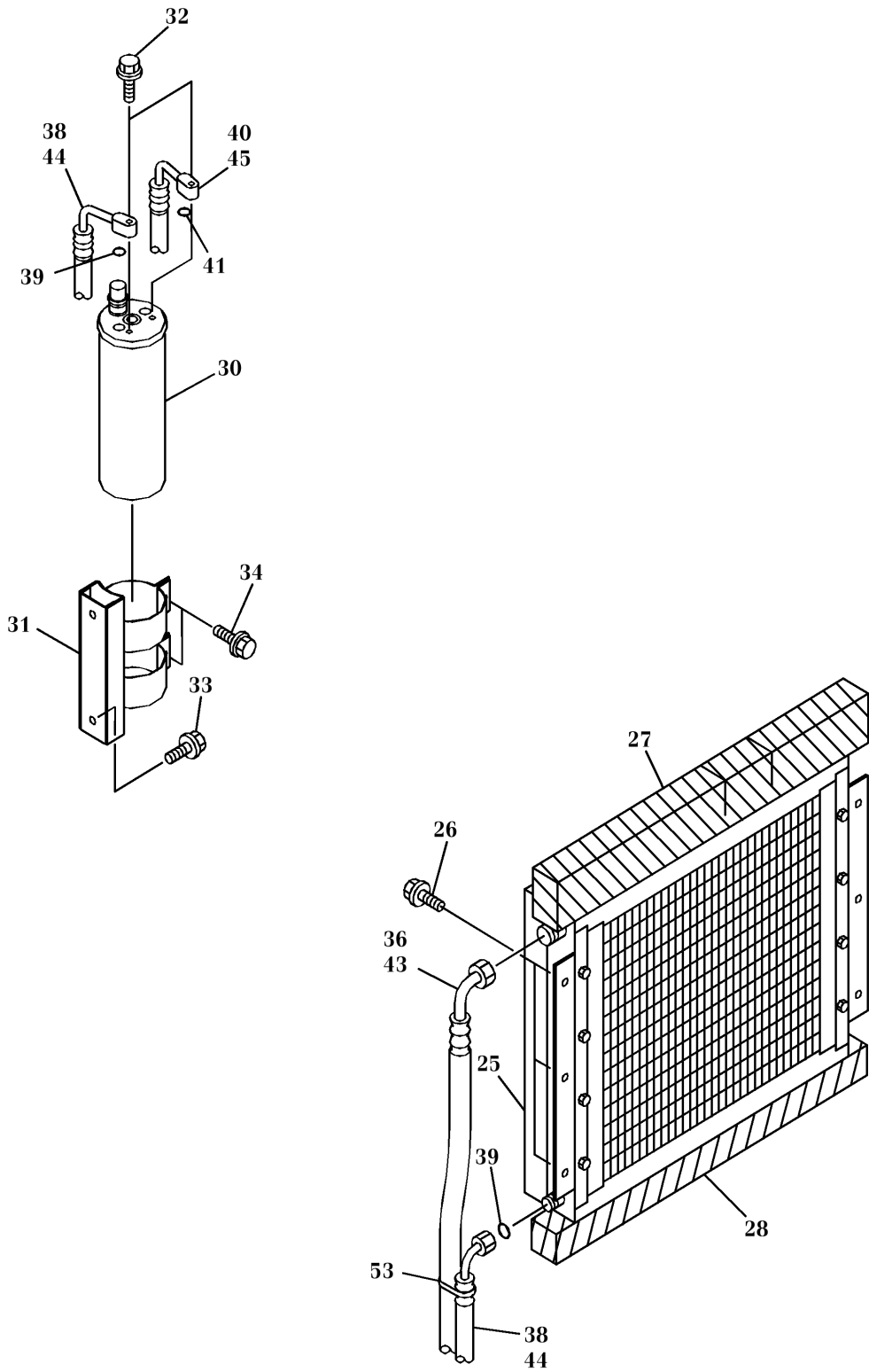
HAND CONTROL, RIGHT-HAND ARM (P.I.N. DAC0733255 -) - WHEAT



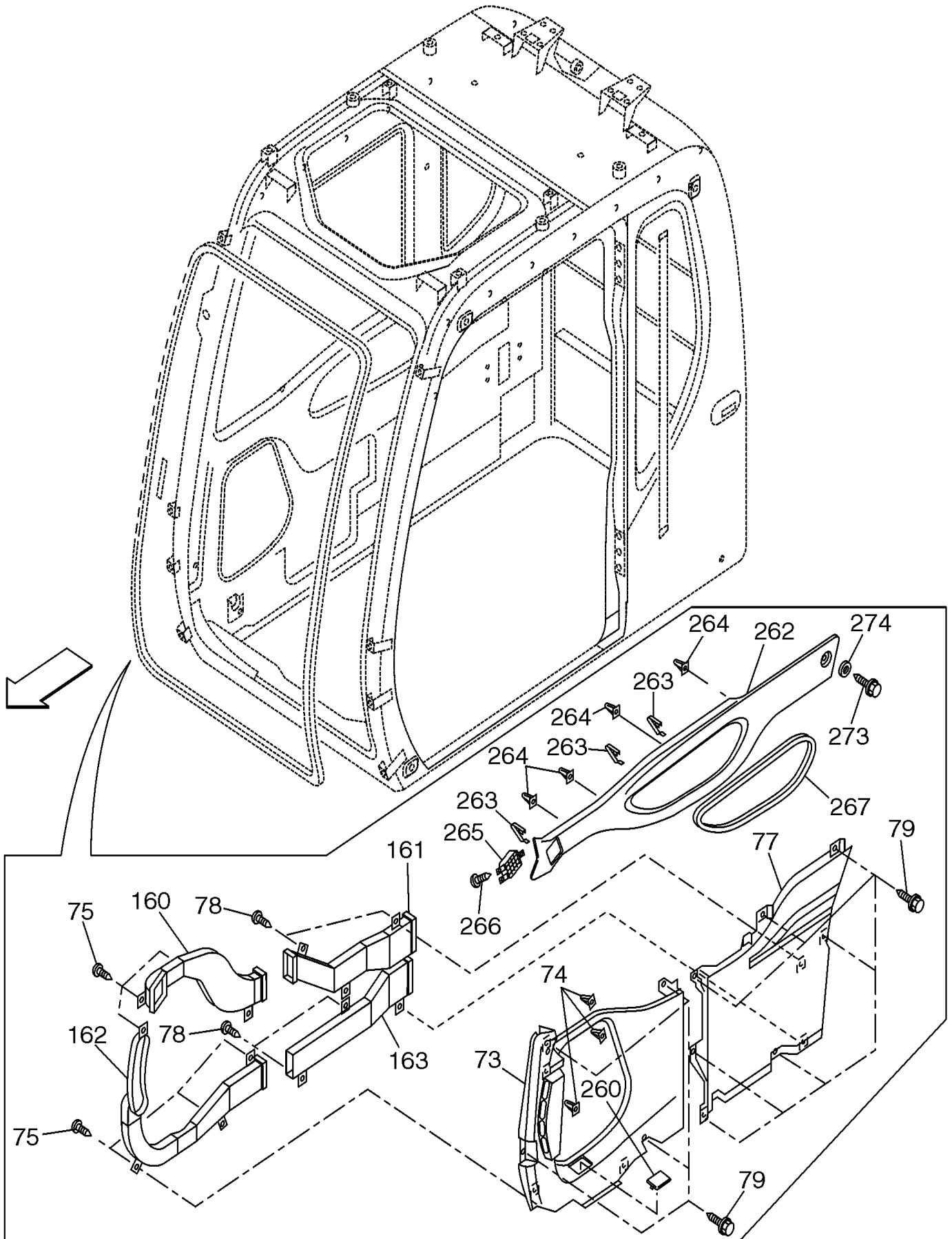
AIR CONDITIONING SYSTEM



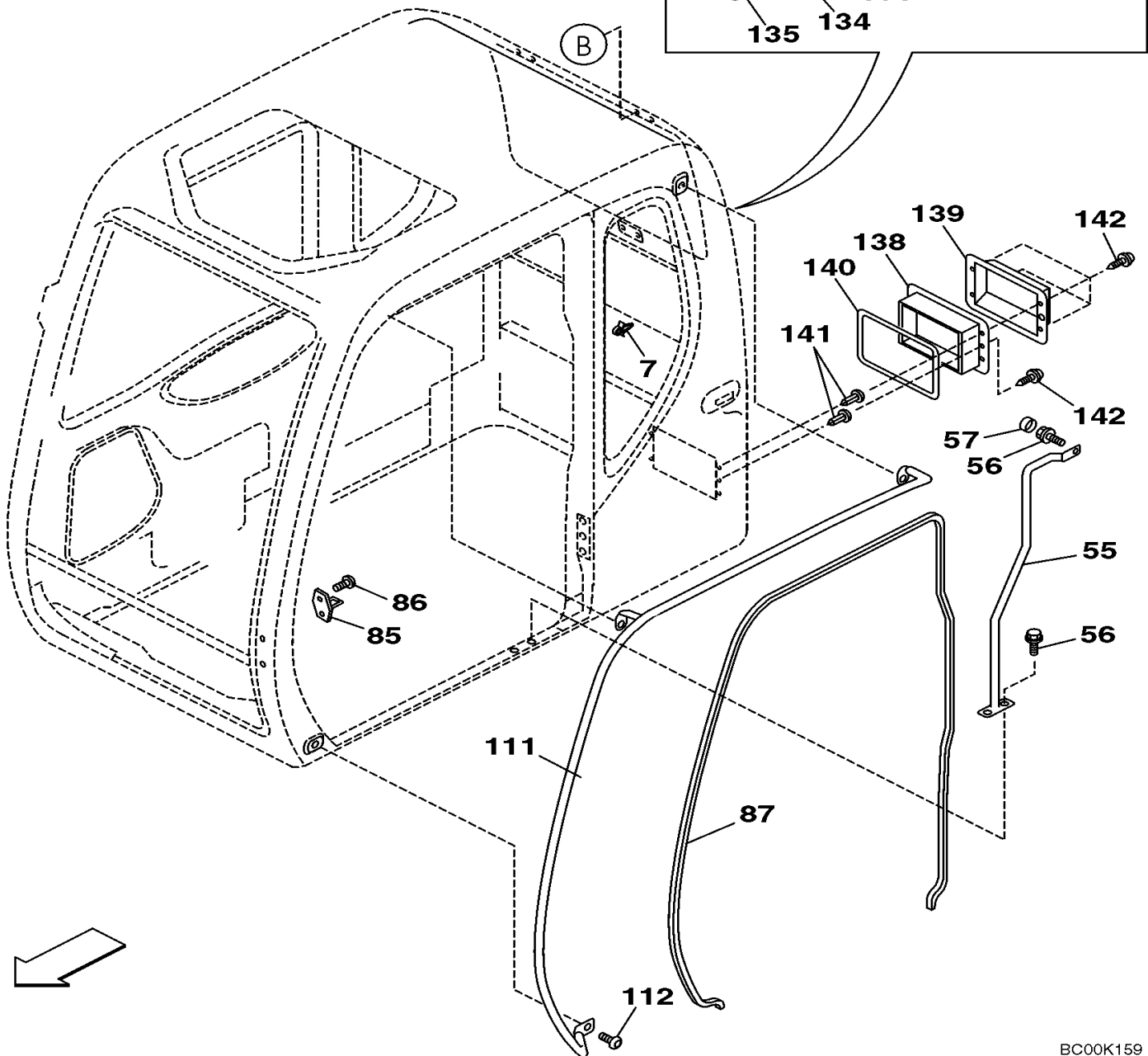
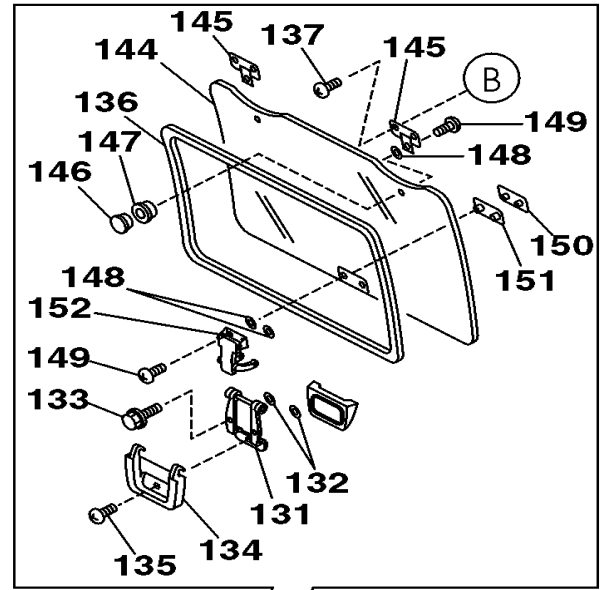
AIR CONDITIONING - CONDENSER AND RECEIVER-DRIER



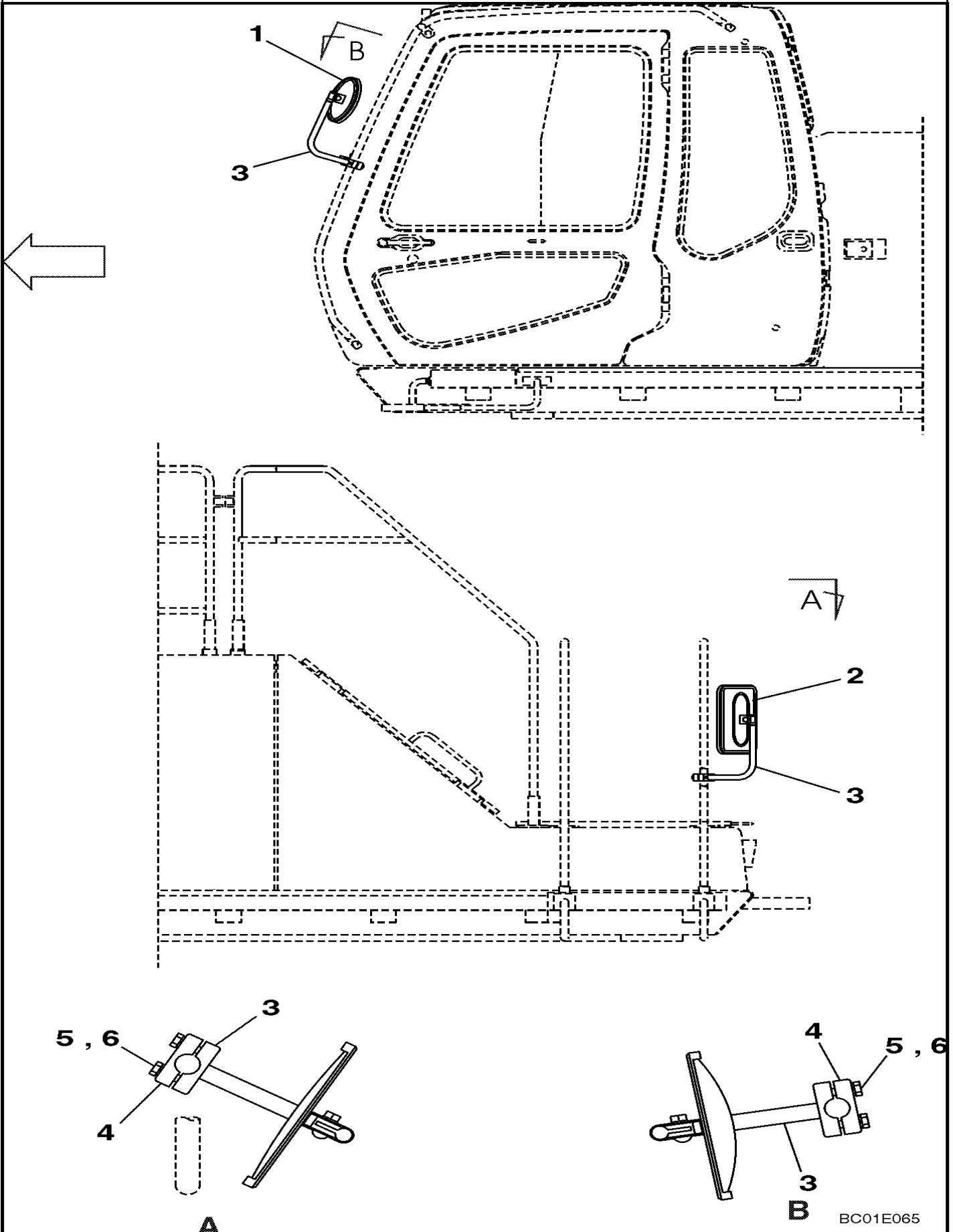
CAB - DUCTS AND TRIM (P.I.N. DAC0700255 -)



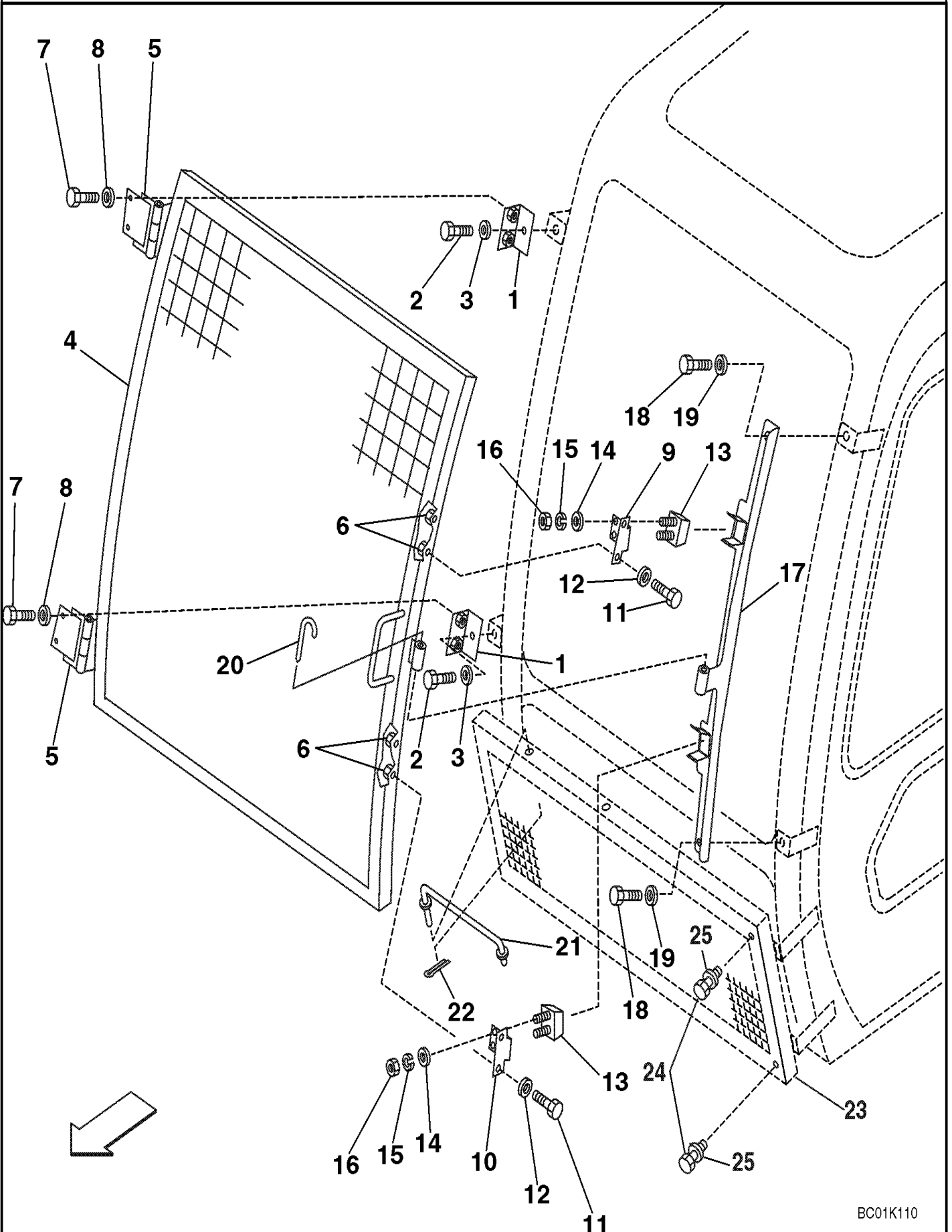
CAB - WINDOW, REAR



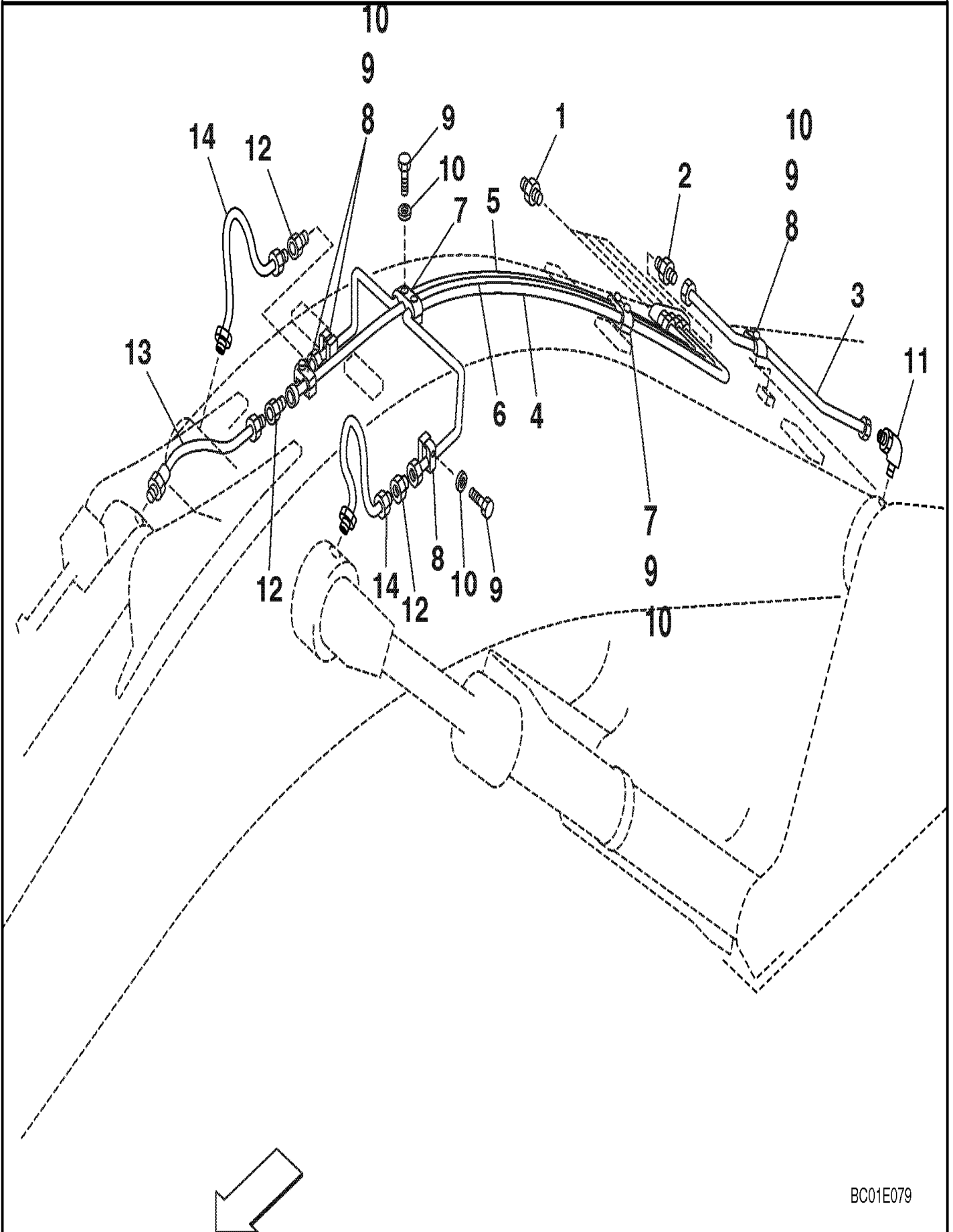
CAB - MIRROR, REAR VIEW



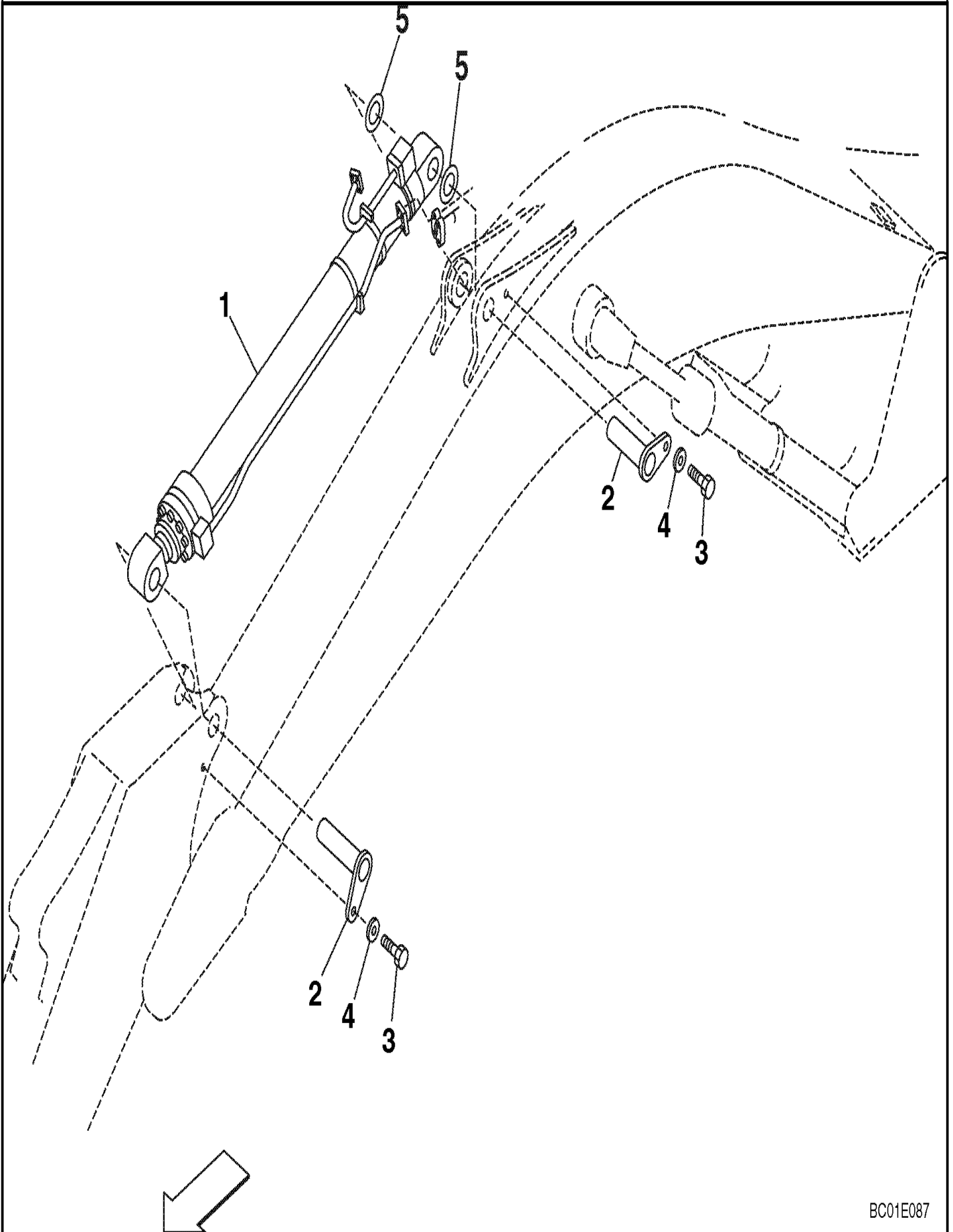
GUARD, BRUSH - CAB FRONT SCREEN



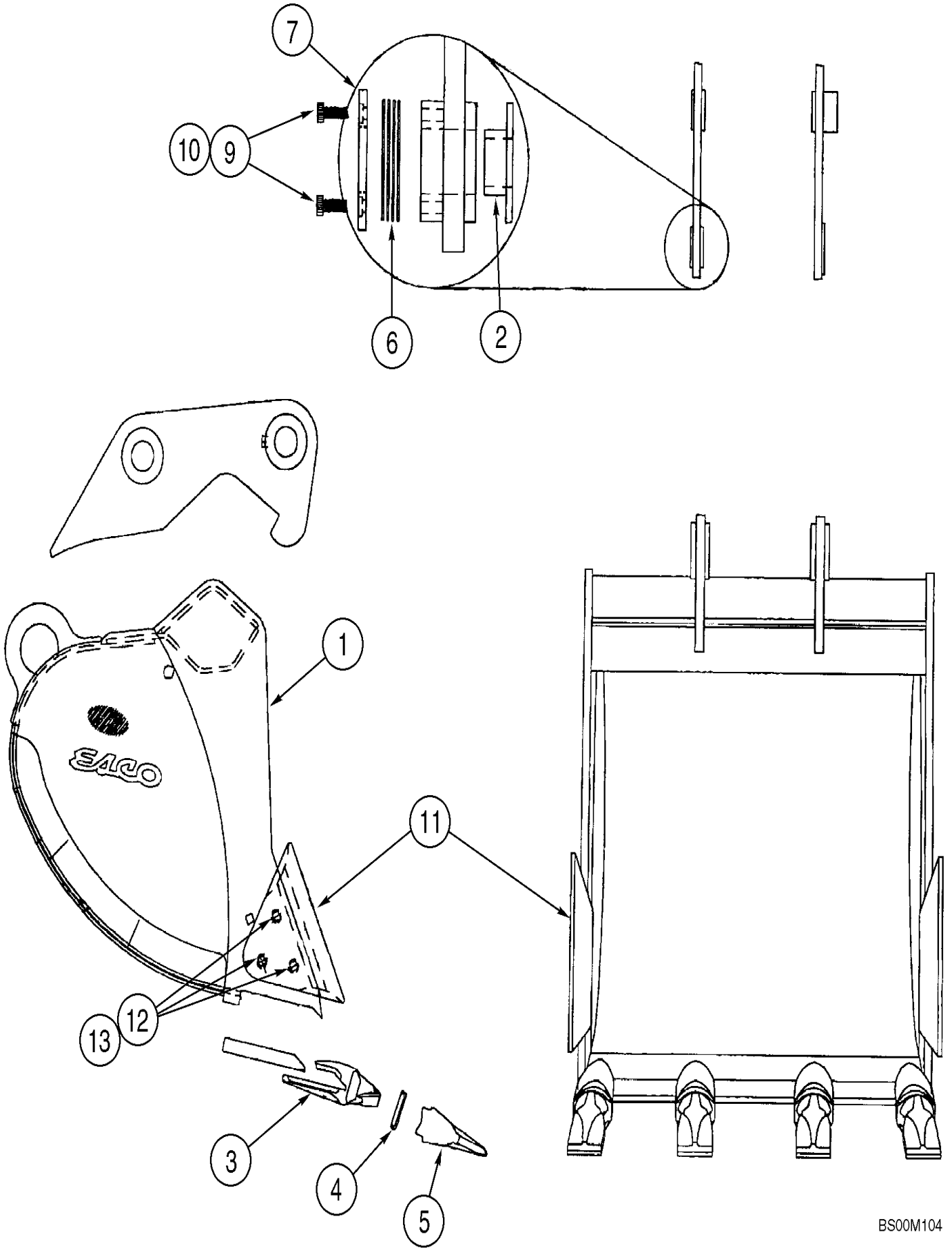
LUBRICATION CIRCUIT - BOOM



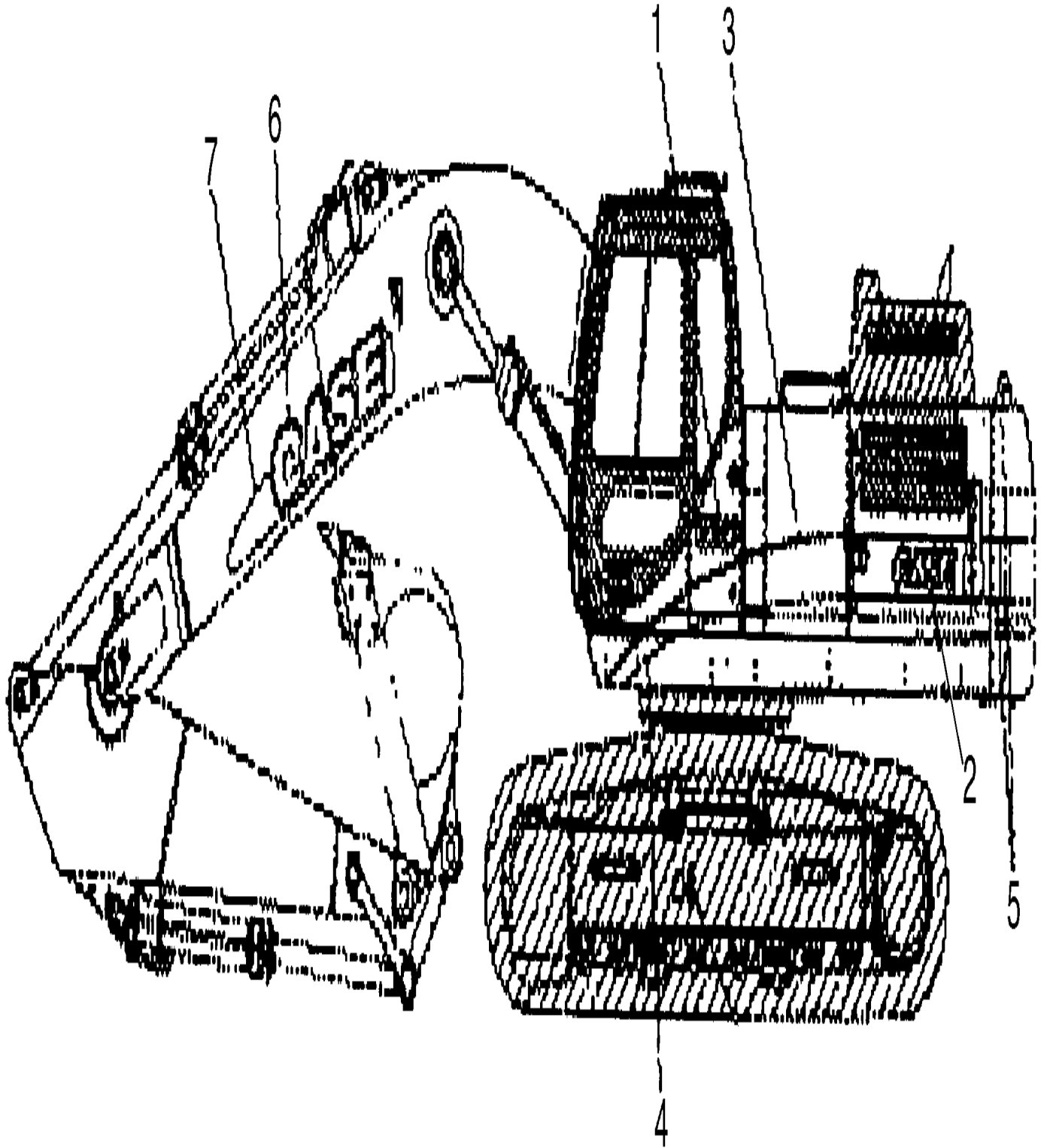
ARM CYLINDER - MOUNTING



BUCKETS, ESCO - HEAVY DUTY BUCKETS



DECALS

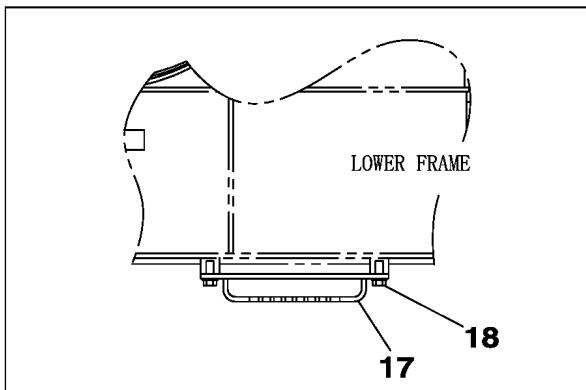
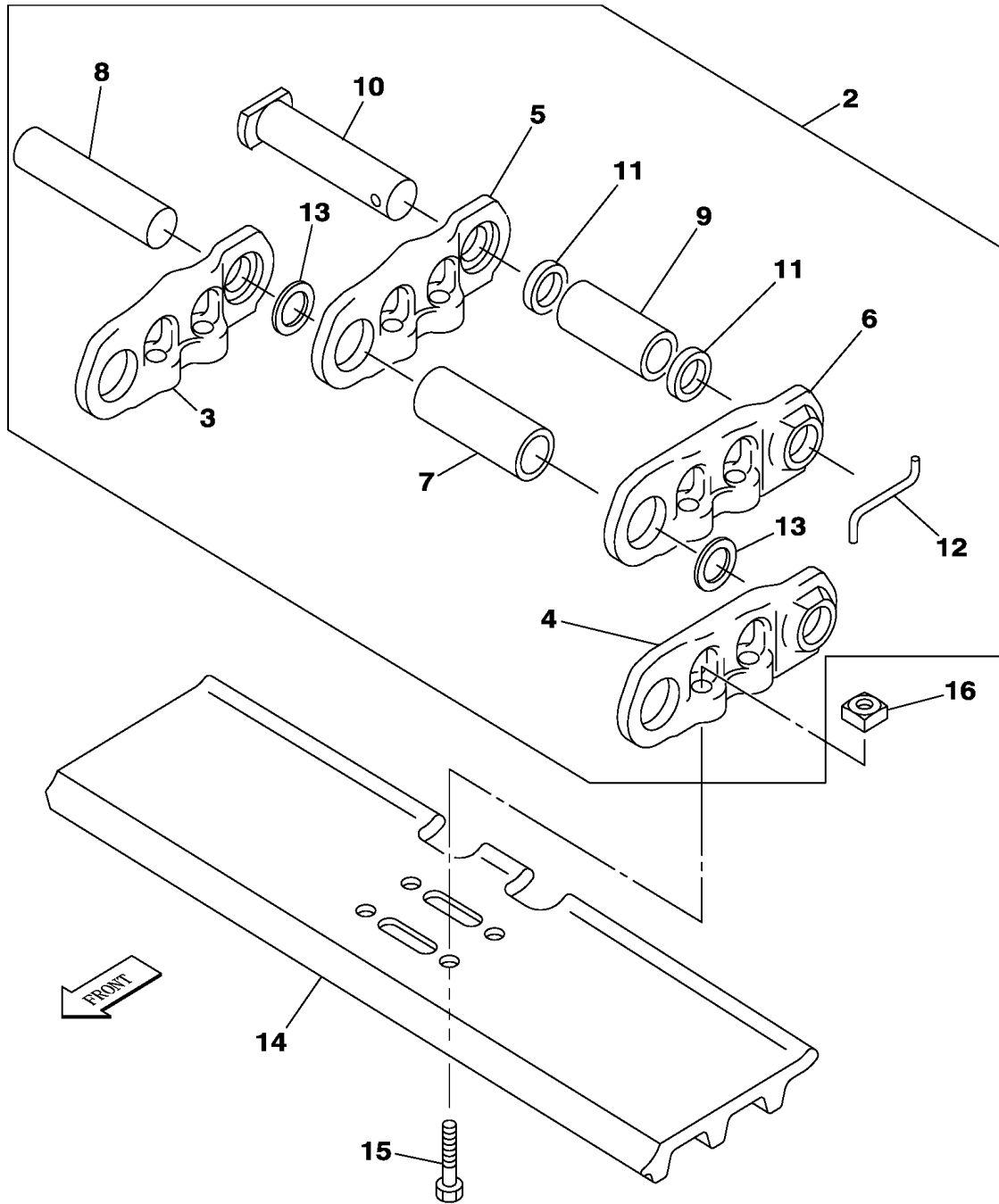


SECTION INDEX

TRACKS/STEERING

05-01	UNDERCARRIAGE
05-02	GUARD, TRACK ASSY
05-03	UNDERCARRIAGE COVER, LOWER
05-04	TRACK CHAINS, 600 MM (23-5/8 IN), - P.I.N. DAC0733204
05-04A	TRACK CHAINS, 600 MM (23-5/8 IN) - FOOTSTEP, P.I.N. DAC0733205 -
05-05	TRACK CHAINS, 700 MM (27-5/8 IN), - P.I.N. DAC0733204
05-05A	TRACK CHAINS, 700 MM (27-5/8 IN) - FOOTSTEP, P.I.N. DAC0733205 -
05-06	TRACK CHAINS, 800 MM (31-1/2 IN), - P.I.N. DAC0733204
05-06A	TRACK CHAINS, 800 MM (31-1/2 IN) - FOOTSTEP, P.I.N. DAC0733205 -
05-07	TRACK CHAINS, 850 MM (33-1/2 IN), - P.I.N. DAC0733204
05-07A	TRACK CHAINS, 850 MM (33-1/2 IN) - FOOTSTEP, P.I.N. DAC0733205 -
05-08	TRACK CHAINS, 900 MM (35-1/2 IN), - P.I.N. DAC0733204
05-08A	TRACK CHAINS, 900 MM (35-1/2 IN) - FOOTSTEP, P.I.N. DAC0733205 -
05-09	TRACK - IDLER
05-10	TRACK - ADJUSTER
05-11	TRACK - ROLLER, UPPER
05-12	TRACK - ROLLER, LOWER

TRACK CHAINS, 600 MM (23-5/8 IN) - FOOTSTEP, P.I.N. DAC0733205 -

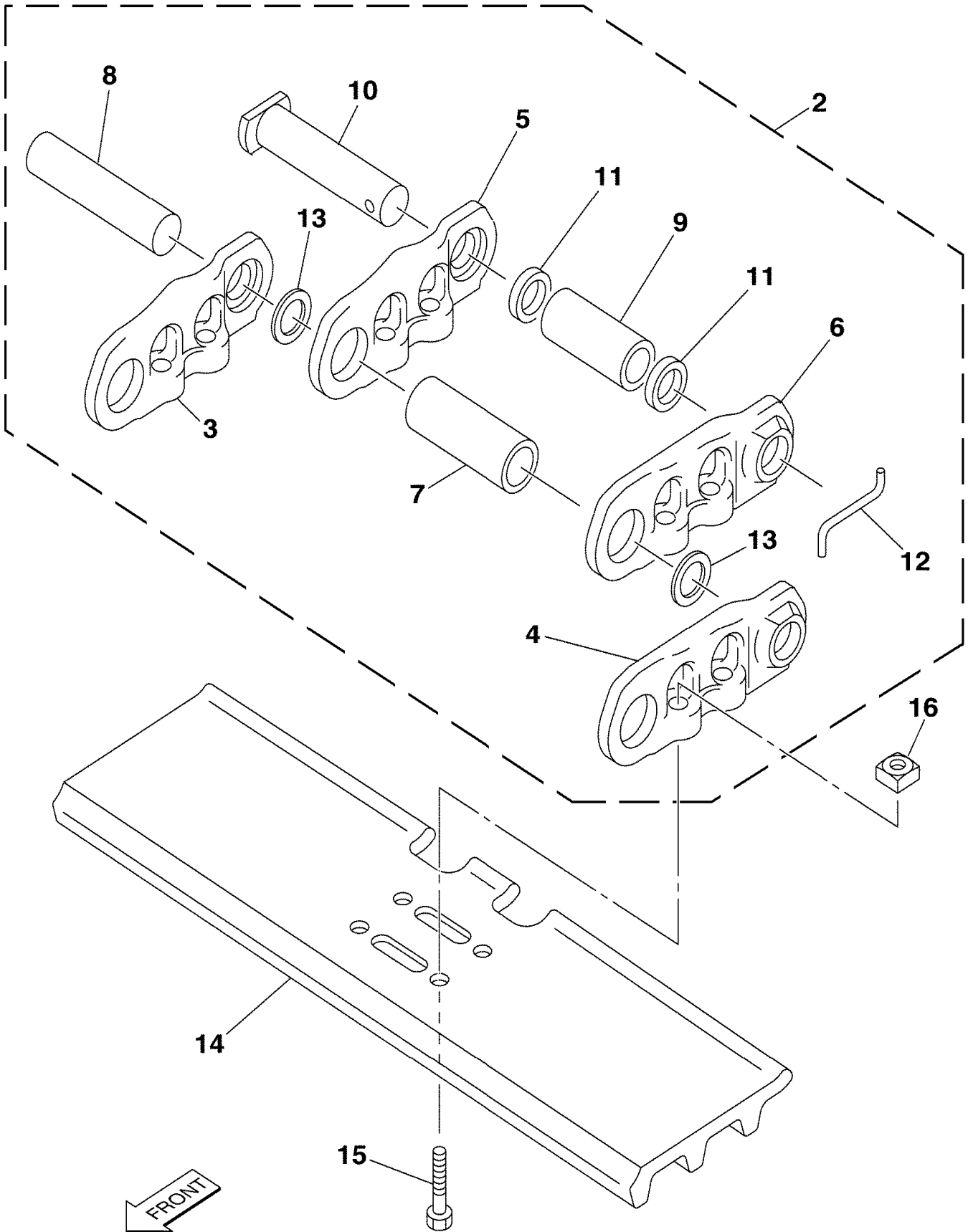


05-07

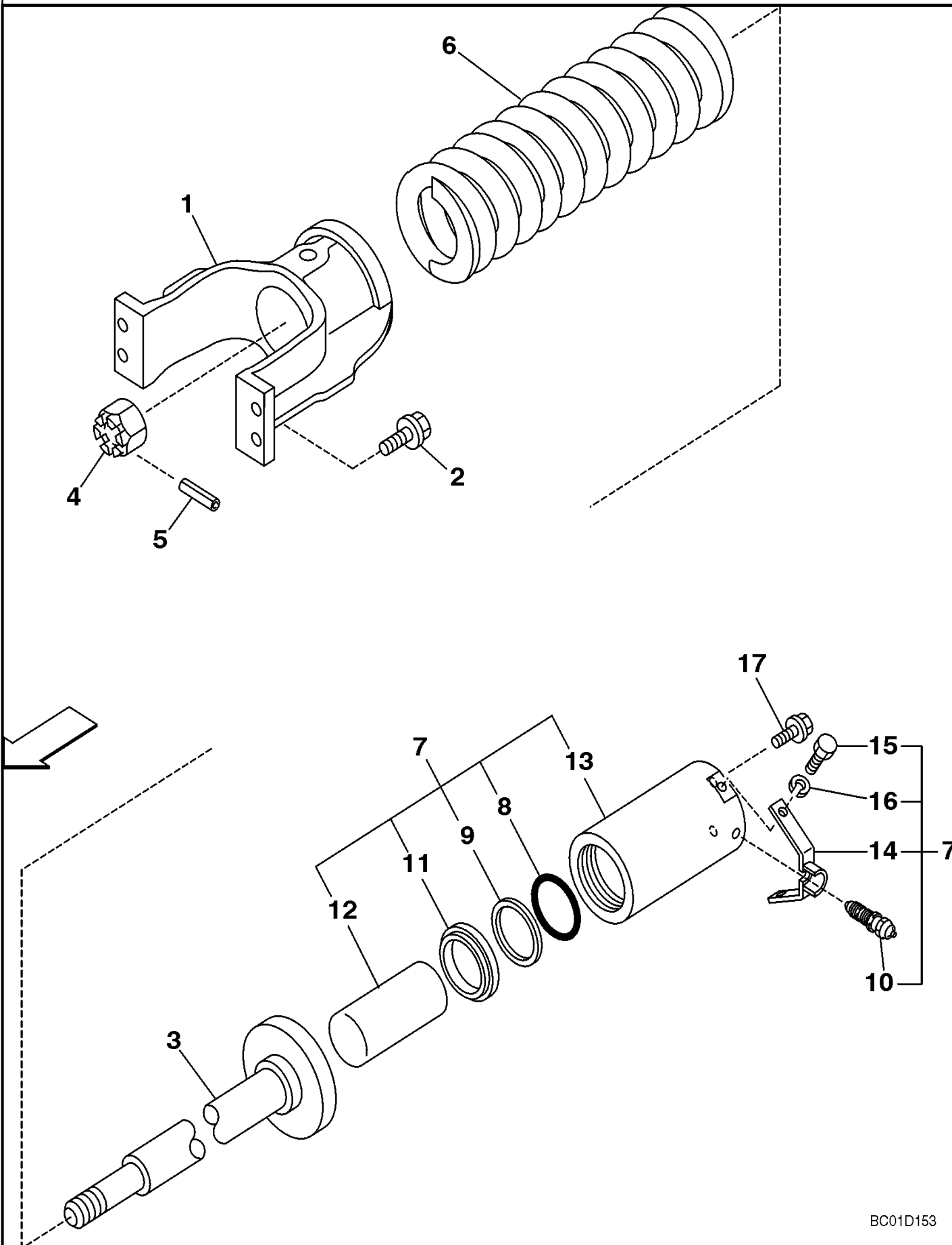
p1

10/202
0

TRACK CHAINS, 850 MM (33-1/2 IN), - P.I.N. DAC0733204



TRACK - ADJUSTER



INDEX - INDICE - INDEX - ZAHLENVERZEICHNIS - INDICE - INDICE - INDHOLD - INHOUD

Number	Figure	Sequence	Ref.	Number	Figure	Sequence	Ref.
151486A1	08-53		54	152127A1	08-34		109
151548A1	09-25		56	152127A1	08-34		129
151552A1	08-27		73	152127A1	08-36		126
151552A1	08-29		101	152127A1	08-36		132
151552A1	08-31		73	152127A1	08-36		152
151552A1	08-33		102	152127A1	08-38		103
151582A1	02-04		54	152127A1	08-38		109
151582A1	09-25		60	152127A1	08-38		130
151582A1	09-25		62	152127A1	08-40		127
151612A1	09-47		8	152127A1	08-40		133
151650A1	06-05		8	152127A1	08-40		158
151650A1	08-08		39	152127A1	08-42		60
151654A1	08-08		45	152127A1	08-42		79
151655A1	06-05		2	152127A1	08-42		83
151655A1	08-09		7	152127A1	08-43		27
151688A1	03-01		18	152127A1	08-43		7
151756A1	09-36		13	152127A1	08-45		52
151888A1	08-49		80	152127A1	08-45		7
151888A1	08-51		80	152127A1	08-49		132
151888A1	08-53		115	152127A1	08-50		83
151888A1	08-55		115	152127A1	08-50		93
152012A1	08-07		4	152127A1	08-51		117
152012A1	08-08		4	152127A1	08-51		121
152012A1	08-49		41	152127A1	08-53		167
152012A1	08-53		41	152127A1	08-54		118
152031A1	09-15		31	152127A1	08-54		128
152032A1	09-44		12	152127A1	08-55		152
152032A1	09-47		20	152127A1	08-55		156
152127A1	06-05		5	152128A1	08-23		125A
152127A1	06-07		6	152128A1	08-25		13
152127A1	08-20		11	152128A1	08-25		15
152127A1	08-20		14	152128A1	08-25		29
152127A1	08-20		16	152128A1	08-25		3
152127A1	08-21		34	152128A1	08-25		47
152127A1	08-21		45	152128A1	08-27		123
152127A1	08-22		34	152128A1	08-27		88
152127A1	08-22		45	152128A1	08-29		111
152127A1	08-23		34	152128A1	08-29		146
152127A1	08-23		45	152128A1	08-31		105
152127A1	08-24		34	152128A1	08-31		88
152127A1	08-24		45	152128A1	08-33		112
152127A1	08-26		131	152128A1	08-33		150
152127A1	08-26		90	152128A1	08-34		105
152127A1	08-28		113	152128A1	08-34		123
152127A1	08-28		154	152128A1	08-34		97
152127A1	08-30		132	152128A1	08-34		99
152127A1	08-30		90	152128A1	08-36		120
152127A1	08-32		114	152128A1	08-36		122
152127A1	08-32		156	152128A1	08-36		128
152127A1	08-34		103	152128A1	08-36		146

INDEX - INDICE - INDEX - ZAHLENVERZEICHNIS - INDICE - INDICE - INDHOLD - INHOUD

Number	Figure	Sequence	Ref.	Number	Figure	Sequence	Ref.
157851A1	06-05		4	158131A1	08-84		44
157856A1	08-46		36	158131A1	08-85		41
157856A1	08-46		49	158131A1	08-86		36
157856A1	08-46		64	158352A1	08-62		16
157856A1	08-52		70	158403A1	04-15		2
157856A1	08-52		83	158451A1	09-49		5
157856A1	08-52		98	158678A1	03-02A		18
157912A1	02-04		60	158679A1	03-02A		15
157912A1	02-05		13	158749A1	09-07		24
157912A1	02-05		18	158749A1	09-07		73
157915A1	02-04		57	158919A1	02-01		10
157915A1	02-05		23	158919A1	02-01		13
157916A1	02-01		26	158919A1	05-01		4
157923A1	03-02		12	158919A1	05-03		2
157935A1	08-44		30	158919A1	09-03		15
157937A1	08-07		8	158923A1	03-01		11
157937A1	08-08		8	158929A1	09-01		10
157937A1	08-15		9	158930A1	09-01		11
157968A1	08-23		138	158950A1	09-03		14
157968A1	08-24		164	158962A1	04-06		147
157971A1	08-45		47	158962A1	04-06		52
157972A1	08-26		118	158962A1	08-47		98
157972A1	08-26		93	158962A1	08-51		148
157972A1	08-28		117	158962A1	08-55		183
157972A1	08-28		141	158962A1	09-26		19
157972A1	08-30		118	158970A1	02-05		21
157972A1	08-30		94	159002A1	08-23		52
157972A1	08-32		118	159002A1	08-42		63
157972A1	08-32		142	159019A1	08-21		40
157972A1	08-34		118	159019A1	08-22		40
157972A1	08-34		93	159019A1	08-23		40
157972A1	08-36		117	159019A1	08-24		40
157972A1	08-36		141	159019A1	08-49		115
157972A1	08-38		118	159019A1	08-49		116
157972A1	08-38		94	159019A1	08-51		115
157972A1	08-40		118	159019A1	08-51		116
157972A1	08-40		142	159019A1	08-53		150
158061A1	02-05		17	159019A1	08-53		151
158061A1	08-11		19	159019A1	08-55		150
158062A1	03-02		17	159019A1	08-55		151
158068A1	03-02		23	159032A1	08-42		90
158069A1	03-02		26	159036A1	08-26		161
158069A1	09-26		43	159036A1	08-28		183
158069A1	09-27		43	159036A1	08-30		168
158100A1	06-07		19	159036A1	08-32		196
158100A1	08-47		89	159037A1	09-25		46
158131A1	08-80		41	159047A1	08-46		45
158131A1	08-81		37	159047A1	08-52		79
158131A1	08-82		41	159054A1	08-05		31
158131A1	08-83		37	159063A1	08-45		46

INDEX - INDICE - INDEX - ZAHLENVERZEICHNIS - INDICE - INDICE - INDHOLD - INHOUD

Number	Figure	Sequence	Ref.	Number	Figure	Sequence	Ref.
254100A1	09-55		5	320-21444	09-55		13
254100A1	09-56		5	320-21444	09-56		15
254104A1	09-54		4	321-6872	09-61		9
254104A1	09-55		4	321-7040	09-61		8
254104A1	09-56		4	326-816	04-02		4
263136	02-12		4	326380A1	03-03		14
263136	02-15		2	338W050Z03	06-02		8
263136	02-19		30	338W060Z01	08-89		78
300642A1	09-16		3	338W060Z03	06-02A		8
300642A1	09-17			338W060Z03	06-02B		8
301-1413	08-63A		14	338W100Z05	06-02		16
307040A1	09-17			338W100Z05	06-02A		16
307042A1	09-17		5	338W100Z05	06-02B		16
307043A1	09-17		9	353-225	02-21		16
307043A1	09-17A		8	366700A1	02-12		11
307044A1	09-17		10	372231A2	02-01		1
307044A1	09-17A		9	372231A2	02-19		
307045A1	09-17			378635A1	09-53		6
307045A1	09-17A			378635A1	09-54		6
307046A1	09-17		13	378635A1	09-55		6
307046A1	09-17A		21	378635A1	09-56		8
307047A1	09-17		14	378635A1	09-57		3
307047A1	09-17A		22	378636A1	09-53		7
307048A1	09-17		15	378636A1	09-54		7
307048A1	09-17A		12	378636A1	09-55		7
307049A1	09-17			378636A1	09-56		9
307049A1	09-17A			378636A1	09-57		4
307050A1	09-17		19	378637A1	09-53		8
307050A1	09-17A		16	378637A1	09-54		8
307051A1	09-17		20	378637A1	09-55		8
307051A1	09-17A		17	378637A1	09-56		10
307052A1	09-17		21	378637A1	09-57		5
307052A1	09-17A		18	378662A1	09-54		
307053A1	09-17		22	378662A1	09-55		
307053A1	09-17A		19	378662A1	09-56		
310493A1	02-19			378940A1	09-56		3
310494A1	02-19			381427A1	04-08		148
311171A1	03-03		11	383033A1	04-05		
311184A1	03-04		14	389493A1	02-01		23
311187A1	03-03		19	403896A1	02-01		22
311214A1	03-04		10	409463A1	02-19		
311215A1	03-04		26	41-1024	02-16		17
313244A1	02-19		34	41-3044	02-19		15
313246A1	02-19		35	414-516	03-04		6
313246A1	02-24		24	414-720	09-18		3
313262A1	02-09		19	425-155	02-11		3
313262A1	02-23		13	441655A1	04-05		
313262A1	02-25		6	441657A1	04-05		
313923A1	03-04		12	441658A1	04-05		
320-21444	09-54		13	441660A1	04-05		

INDEX - INDICE - INDEX - ZAHLENVERZEICHNIS - INDICE - INDICE - INDHOLD - INHOUD

Number	Figure	Sequence	Ref.	Number	Figure	Sequence	Ref.
J928870	02-22		12	J940639	03-05		18
J929011	02-12		18	J940817	03-05		20
J929011	02-24		10	J941137	02-16		24
J930688	03-05		13	J941140	02-16		25
J930911	02-12		9	J941786	02-07		2
J930911	02-24		11	J942588	02-16		5
J931084	02-12		8	J942589	02-16		6
J933347	02-13		12	J942748	02-16		
J933384	02-20		8	J942749	02-16		
J934046	02-19		40	J942764	03-11		1
J934046	02-22		9	J942896	02-06		
J934054	02-06		4	J943366	02-14		6
J934410	02-12			J943366	02-16		19
J934486	02-20		24	J943366	02-19		44
J934864	02-22		13	J943435	04-04		2
J935170	03-06		11	J943440	03-11		5
J935171	02-25		21	J943442	03-03		18
J936365	02-12		5	J943445	02-16		21
J937142	02-23		3	J943503	03-05		33
J937142	02-25		15	J943599	03-04		19
J937142	03-12		3	J943650	03-04		7
J937367	02-15		5	J943670	02-14		13
J937367	02-24		13	J943738	02-15		3
J937419	02-19		28	J943739	02-15		6
J937477	02-08		2	J943740	02-15		7
J937477	02-09		9	J943750	02-08		9
J937479	02-08		3	J943750	02-09		13
J937479	02-23		6	J943808	02-19		29
J937479	02-25		22	J943841	02-08		1
J937539	02-21		6	J943841	02-09		8
J937652	02-17		1	J943885	02-07		11
J937706	02-09		6	J943888	02-16		7
J937706	02-23		5	J943888	02-23		8
J937706	02-25		7	J943933	02-16		23
J938077	02-07		4	J944001	02-18		3
J938163	02-18		1	J944099	03-03		6
J938163C	02-18		1	J944110	04-05		
J938163R	02-18		1	J944125	04-03		1
J938446	02-14		2	J944152	03-04		8
J938655	02-07		16	J944174	02-16		22
J939029	04-02		1	J944222	02-08		6
J939258	02-19		24	J944239	02-14		7
J939258	02-24		12	J944290	02-14		9
J939258	02-25		20	J944293	02-07		7
J939284	02-14		5	J944293	02-24		15
J939284	02-23		7	J944298	02-18		4
J940152	02-16		15	J944382	03-04		2
J940153	02-16		16	J944405	04-02		8
J940631	02-15		12	J944407	04-02		3
J940632	02-15		14	J944452	02-16		8

INDEX - INDICE - INDEX - ZAHLENVERZEICHNIS - INDICE - INDICE - INDHOLD - INHOUD

Number	Figure	Sequence	Ref.	Number	Figure	Sequence	Ref.
KHN3235	09-28		165	KHN3668	09-33		160
KHN3236	09-28		166	KHN3668	09-33A		170
KHN3243	09-20		124	KHN3671	09-30		226
KHN3243	09-20A		124	KHP0501	08-60		41
KHN3258	09-30		228	KHP0972	09-60		7
KHN3259	09-31		32	KHP0995	09-60		1
KHN3270	09-28			KHP0998	09-60		2
KHN3331	09-30		237	KHP1010	09-61		10
KHN3352	09-33A		171	KHP1011	09-61		6
KHN3353	09-33A		215	KHP1259	09-60		5
KHN3385	09-39		4	KHP1360	09-62		7
KHN3386	09-39		17	KHP1450	09-62		6
KHN3386	09-40		16	KHP1486	09-62		11
KHN3387	09-39		1	KHP1506	09-62		10
KHN3387	09-40		1	KHP1527	09-34		1
KHN3388	09-40		4	KHP1528	09-34		2
KHN3392	04-11		123A	KHP1532	09-61		4
KHN3392C	04-11		123A	KHP1533	09-61		16
KHN3392R	04-11		123A	KHP1534	09-61		5
KHN3414	09-36		1	KHP1535	09-61		7
KHN3544	04-11			KHP1536	09-61		2
KHN3571	09-21A		142	KHP1537	09-62		2
KHN3573	09-20A		160	KHP1538	09-62		4
KHN3575	09-21A		140	KHP1540	09-62		5
KHN3578	09-20A		158	KHP1542	09-61		3
KHN3580	09-20A		156	KHP1587	09-63		1
KHN3580	09-21A		138	KHP1588	09-63		2
KHN3581	09-21A		139	KHP1589	09-63		4
KHN3582	09-20A		157	KHP1601	09-62		9
KHN3583	09-20A		169	KHP1602	02-05		10
KHN3584	09-20A		167	KHP1656	02-05		27
KHN3584	09-21A		154	KHP1707	09-58		9
KHN3585	09-20A		166	KHP1708	09-58		6
KHN3585	09-21A		153	KHP1708	09-59		5
KHN3586	09-19		34	KHP1709	09-58		10
KHN3591	09-15		9	KHP1720	04-09		11
KHN3595	09-14		17	KHP1755	08-47		100
KHN3596	09-14		18	KHP1755	08-48		150
KHN3597	09-15		25	KHP1755	08-55		186
KHN3599	09-14		35	KHP1819	09-62		3
KHN3621	09-29A		77	KHR10790	04-06		17
KHN3622	09-31			KHR10800	04-06		24
KHN3623	09-31		257	KHR10800	08-47		96
KHN3627	09-33A			KHR10800	08-50		145
KHN3630	09-33A		190	KHR10800	08-54		180
KHN3634	09-29A		262	KHR10810	04-06		25
KHN3636	09-29A		265	KHR11390	09-24		35
KHN3637	09-29A		260	KHR11400	09-24		18
KHN3641	09-29A		73	KHR12100	04-06		108A
KHN3661	09-28		4	KHR12120	04-08		110A

INDEX - INDICE - INDEX - ZAHLENVERZEICHNIS - INDICE - INDICE - INDHOLD - INHOUD

Number	Figure	Sequence Ref.	Number	Figure	Sequence Ref.
KSP0954PE	05-04		KSV1371	08-57	6
KSP0954PE	05-04A		KSV1379	09-44	3
KSP0954PE	05-05		KSV1380	09-44	4
KSP0954PE	05-05A		KSV1381	09-44	5
KSP0954PE	05-06		KSV1382	09-44	6
KSP0954PE	05-06A		KSV1383	08-56	1
KSP0954PE	05-07		KSV1383	08-57	1
KSP0954PE	05-07A		KSV1383	08-58	1
KSP0954PE	05-08		KSV1383	08-59	1
KSP0954PE	05-08A		KSV1384	08-56	2
KSP10570	09-62	1	KSV1384	08-57	2
KSP10580	09-62	1	KSV1384	08-58	2
KSR0918	09-27	27	KSV1384	08-59	2
KSR0941	09-26	8	KSV1385	08-56	4
KSR0957	04-06	75	KSV1385	08-57	4
KSR0957	04-08	75	KSV1385	08-58	4
KSR0958	04-08	127	KSV1385	08-59	4
KSR0959	04-06	54	KSV1386	08-56	5
KSR0993	04-06	1	KSV1386	08-57	5
KSR0993	04-07	1	KSV1386	08-58	5
KSR0993	04-12	3	KSV1386	08-59	5
KSV1310	09-51	5	KSV1393	08-80	
KSV1312	09-46	10	KSV1393	09-45	1
KSV1312	09-47	12	KSV1394	08-82	
KSV1312	09-48	10	KSV1394	09-45	2
KSV1313	09-43	2	KSV1395	08-14	1
KSV1319	09-51	8	KSV1395	08-84	
KSV1320	09-51	9	KSV1395	09-49	1
KSV1330	09-46	3	KSV1396	08-16	1
KSV1330	09-47	3	KSV1396	08-17	1
KSV1330	09-48	3	KSV1396	08-18	1
KSV1334	09-46	6	KSV1396	08-19	1
KSV1334	09-47	5	KSV1396	08-86	
KSV1334	09-48	5	KSV1396	09-50	1
KSV1335	09-46	5	KSV1402	09-43	4
KSV1335	09-47	7	KSV1403	09-43	5
KSV1335	09-48	6	KSV1406	09-46	
KSV1338	09-51	12	KSV1407	09-46	8
KSV1352	09-45	7	KSV1407	09-47	10
KSV1354	08-14	8	KSV1407	09-48	8
KSV1355	08-14	9	KSV1408	09-46	9
KSV1356	08-16	11	KSV1408	09-47	11
KSV1356	08-17	8	KSV1408	09-48	9
KSV1356	08-18	8	KSV1411	09-52	5
KSV1356	08-19	8	KSV1412	09-51	4
KSV1357	08-16	10	KSV1412	09-52	4
KSV1357	08-17	7	KSV1414	09-51	13
KSV1357	08-18	7	KSV1414	09-52	13
KSV1357	08-19	7	KSV1415	09-45	4
KSV1371	08-56	6	KSV1416	09-45	3

CLICK HERE TO **DOWNLOAD** THE COMPLETE MANUAL

- Thank you very much for reading the preview of the manual.
- You can download the complete manual from: www.heydownloads.com by clicking the link below



- Please note: If there is no response to CLICKING the link, please download this PDF first and then click on it.

CLICK HERE TO **DOWNLOAD** THE COMPLETE MANUAL