

**Panoramic Cab Roof
Cabine Toit Panoramic
Panorama-Kabinedach
Techo de Cabina Panorámico**

Parts Catalogue - Catalogue Pièces
Ersatzteilkatalog - Catálogo Repuestos

Cre 7-4071
Replaces / Remplace / Ersetz / Reemplaza : Cre 7-4070

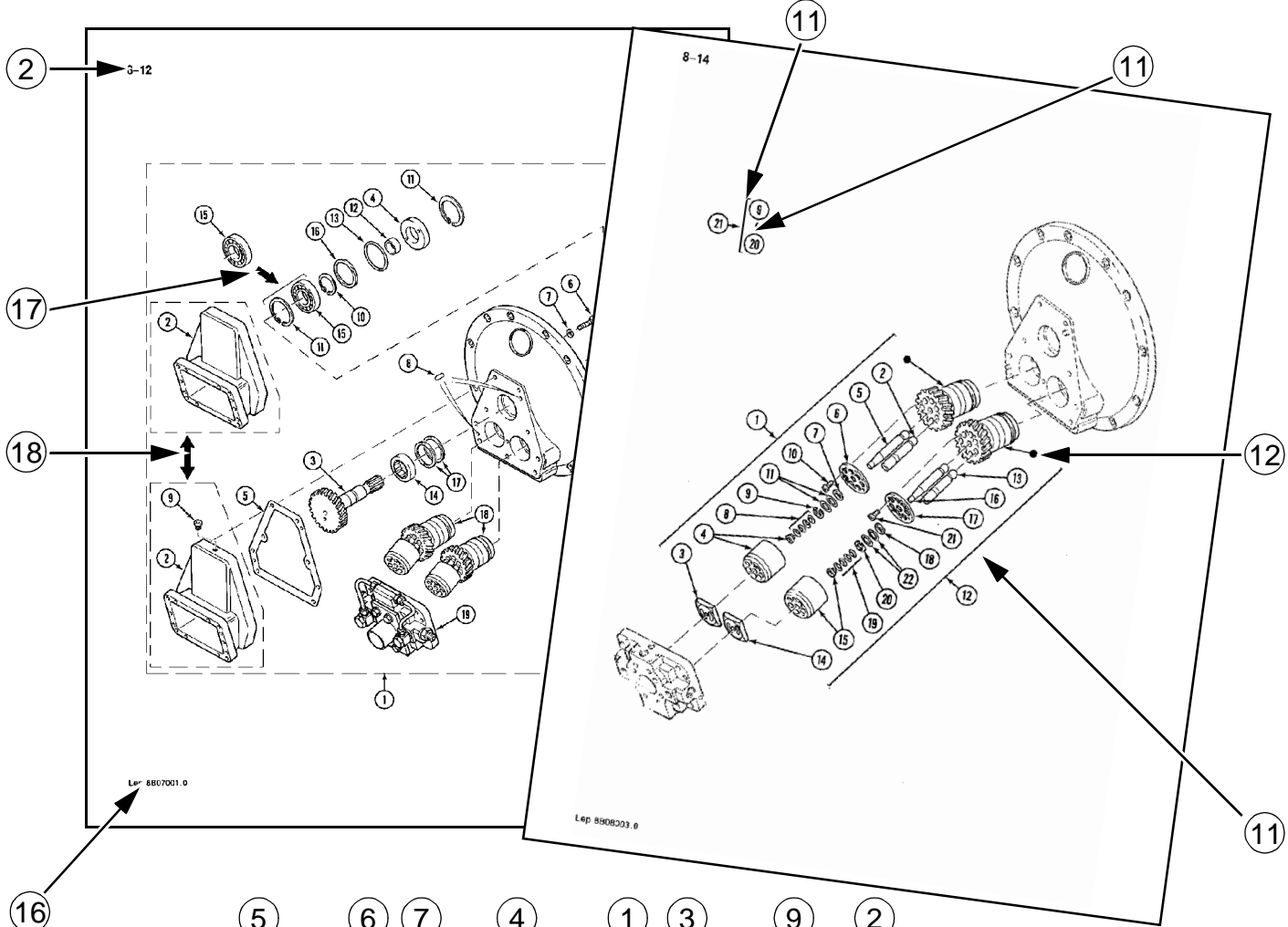
CLICK HERE TO **DOWNLOAD** THE COMPLETE MANUAL

- Thank you very much for reading the preview of the manual.
- You can download the complete manual from: www.heydownloads.com by clicking the link below



- Please note: If there is no response to CLICKING the link, please download this PDF first and then click on it.

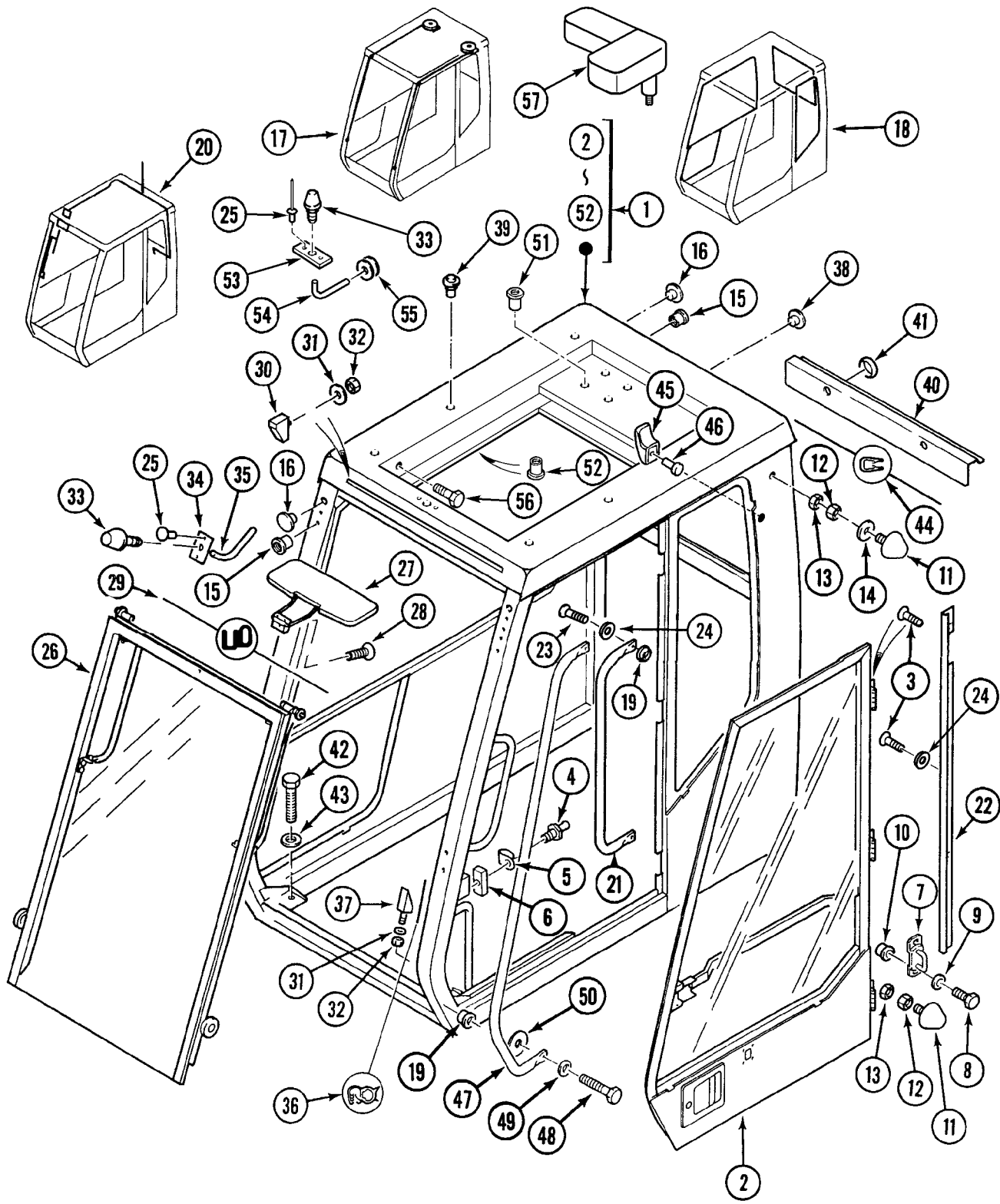
CLICK HERE TO **DOWNLOAD** THE COMPLETE MANUAL



Extricator
HIGH PRESSURE PUMP
POMPE HAUTE PRESSION
HOCHDRUCKPUMPE
BOMBA ALTA PRESION
 GG001235-01-CGG0012345, CGG0012356-CGG0012476, CGG0012478-

REF. PART NO.	ENGLISH	FRANCAIS	DEUTSCH	ESPAÑOL	QTY	CARES
1 082116	Pump	Pompe	Pumpe	Bomba	1	82921
2 K1782187	Housing	Carter	Kapselung	Carter	1	82921
3 M1782189	Shaft	Achse	Welle	Arbol	1	82921
4 N1782190	Cover Sheet	Couvercle	Deckel	Tapa	1	82921
5 H1782185	Seal	Joint	Dichtung	Junta	1	82921
6 S732911	Screw	Vis	Schraube	Tornillo	M10x30	9 82921
7 E34711	Washer	Rondelle	Scheibe	Arandela	W 10	5 82921
8 R636034	Split Pin	Coupelle	Spinn	Pasador		2 82921
9 K3037447	Plug	Bouchon	Stopfen	Tapon		2 82921
10 R7046042	Seal	Joint	Dichtung	Junta	11,5x16,5x1,5	1 82921
11 L36327	Snap Ring	Anneau D'Arret	Sicherheitsring	Anillo De Freno		1 82921
12 W36245	Snap Ring	Anneau D'Arret	Sicherheitsring	Anillo De Freno		2 82921
13 P1782191	Seal	Joint	Dichtung	Junta		1 82921
14 J1782186	Seal	Joint	Dichtung	Junta		1 82921
15 E39909	Bearing	Roulement	Lager	Rodamiento		1 82921
16 L1782188	Bearing	Roulement	Lager	Rodamiento		1 82921
17 D1782181	Shim	Calce	Kiel	Calce	3,10 mm	2 82921
18 C1782180	Shim	Calce	Kiel	Calce	0,30 mm	1 82921
19 E1782182	Shim	Calce	Kiel	Calce	0,30 mm	1 82921
20 F1782183	Shim	Calce	Kiel	Calce	0,40 mm	1 82921
21 G1782184	Shim	Calce	Kiel	Calce	0,50 mm	1 82921
22 R1F	Rotor	Rotor	Rotor	Rotor		1 ----
19 REF	Regulator	Régulateur	Regulator	Regulador		1 ----
20 U1782187	Housing	Carter	Kapselung	Carter		1 ----

sl	autotractable
slat	listón
spool	bobina
sq	cuadrado
SST	Acero inoxidable
s	auto roscable
stem	vástago
str	recto
strk	carrera
sw	orientable
T	dientes
Teflon	Teflón
thin	delgado
thk	grueso
tpr	huso
tube	tubo
tube OD	diámetro exterior del tubo
type	tipo
V	voltio(s)
W	vatio(s)
way	posición
wide	ancho
yd	yarda



**WINDSCREEN WIPER
ESSUIE-GLACE
SCHEIBENWISCHER WINDSCHUTZSCHEIBE
LIMPIAPARABRISA**

REF	PART NO.	ENGLISH	FRANCAIS	DEUTSCH	ESPAÑOL	QTY	CARES
1	M8528296	Housing	Carter	Gehäuse	Cárter	1	
2	H32920	Screw	Vis	Schraube	Tornillo	M8 x 16	6
3	V35002	Washer	Rondelle	Scheibe	Arandela	M8 N	6
4	Q2441855	Motor	Moteur	Motor	Motor	1	
5	E4243274	Pivot	Pivot	Wellenzapfen	Pivote	1	
6	D4243273	Blade, Wiper	Balai D'Essuie-glace	Wischerblatt	Escobilla De Limpiapar.	2	
7	C4243272	Brush Holder	Porte-Balais	Bürstenhalter	Portaescobillas	1	
8	W33807	Screw	Vis	Schraube	Tornillo	M6 x 25	2
9	U35001	Washer	Rondelle	Scheibe	Arandela	M6 N	6
10	B3528799	Washer	Rondelle	Scheibe	Arandela	6,25 x 4 x 15	2
11	Q35020	Washer	Rondelle	Scheibe	Arandela	L8	2
12	F234513	Nut	Ecrou	Mutter	Tuerca	M6	2
13	N8528297	Guard	Protecteur	Schutz	Protector	1	
14	H32621	Screw	Vis	Schraube	Tornillo	M6 x 16	4

CLICK HERE TO **DOWNLOAD** THE COMPLETE MANUAL

- Thank you very much for reading the preview of the manual.
- You can download the complete manual from: www.heydownloads.com by clicking the link below



- Please note: If there is no response to CLICKING the link, please download this PDF first and then click on it.

CLICK HERE TO **DOWNLOAD** THE COMPLETE MANUAL