



BT Europe

CATALOGO PARTI DI RICAMBIO SPARE PARTS CATALOGUE

BT Europe AB,
SE-595 81 Mjölby
Sweden

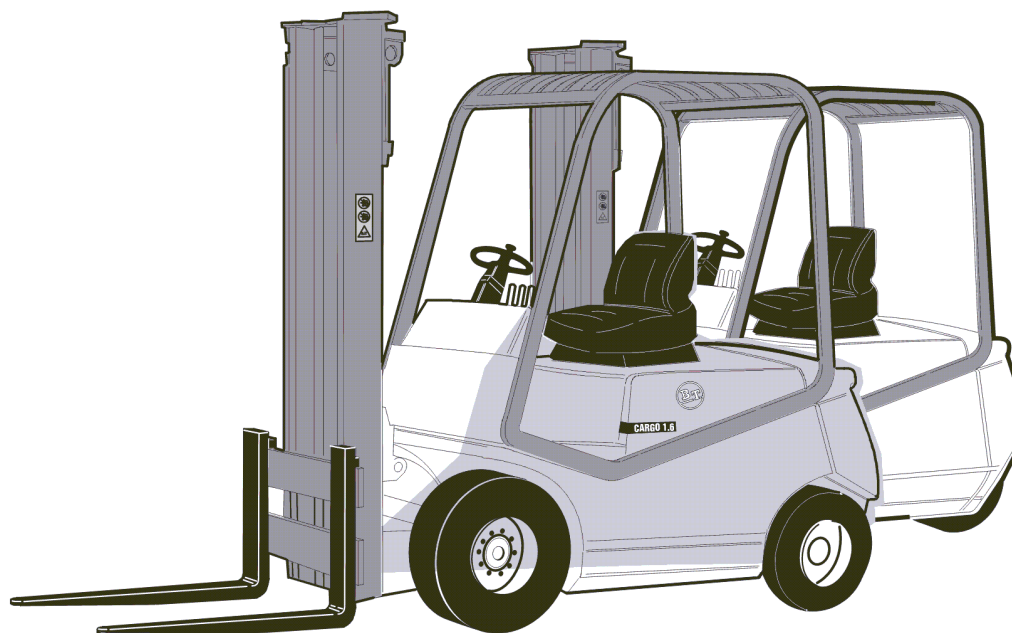
CARGO range

N°di Matricola
Serial Number

CBE 1.6 F 181781 →

Codice
Code

0350140R1- 0



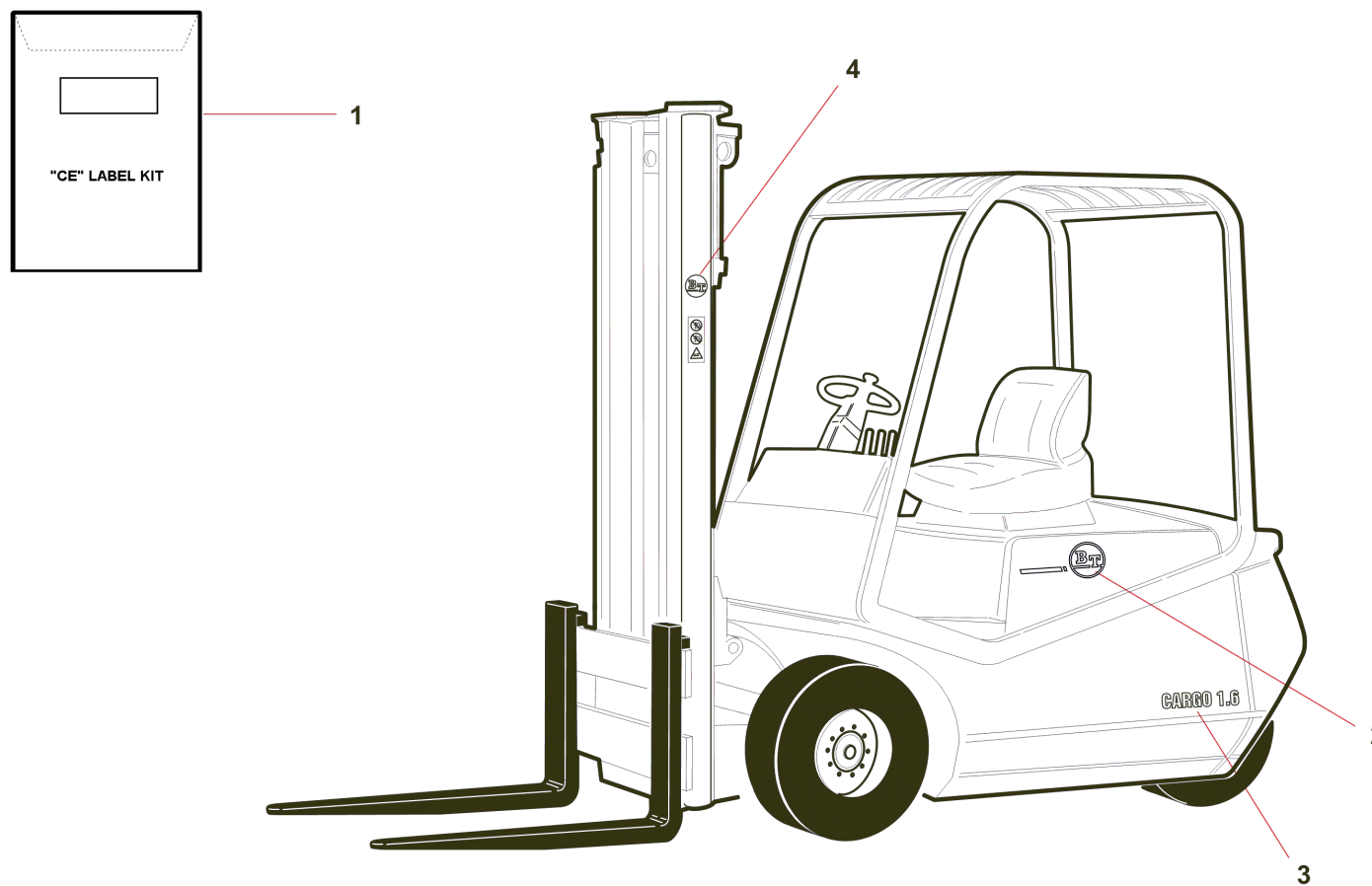
CLICK HERE TO **DOWNLOAD** THE COMPLETE MANUAL

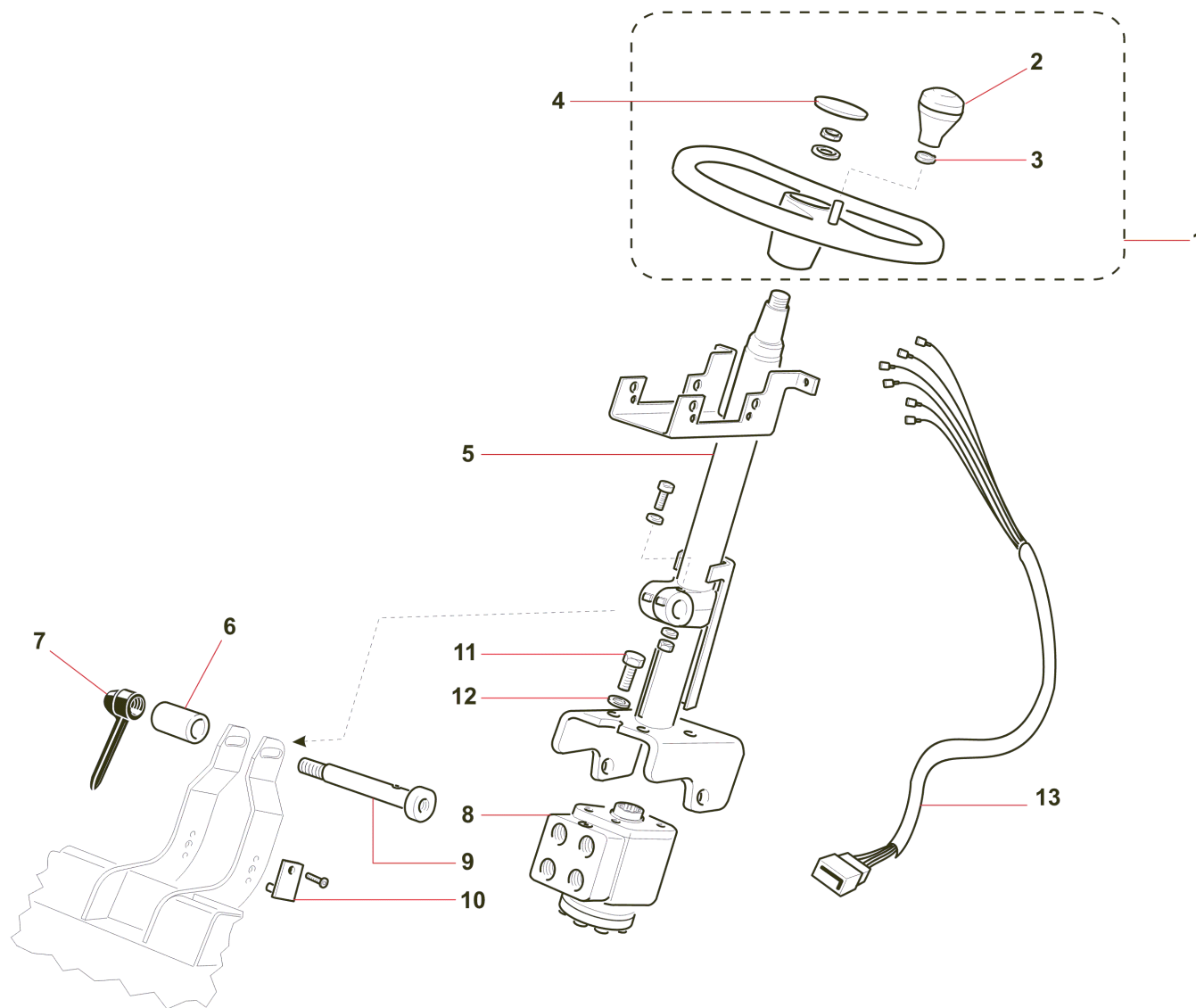
- Thank you very much for reading the preview of the manual.
- You can download the complete manual from: www.heydownloads.com by clicking the link below

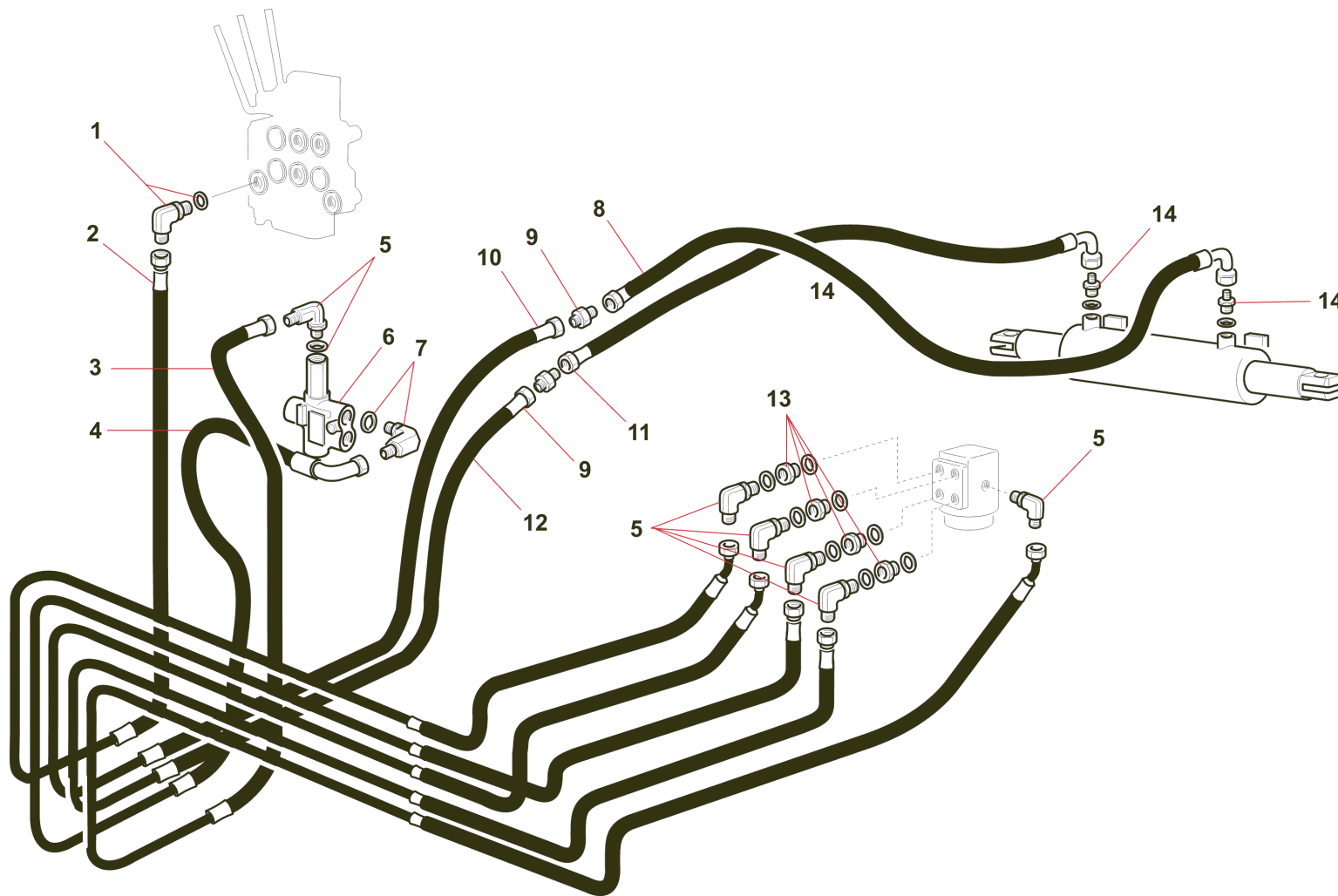


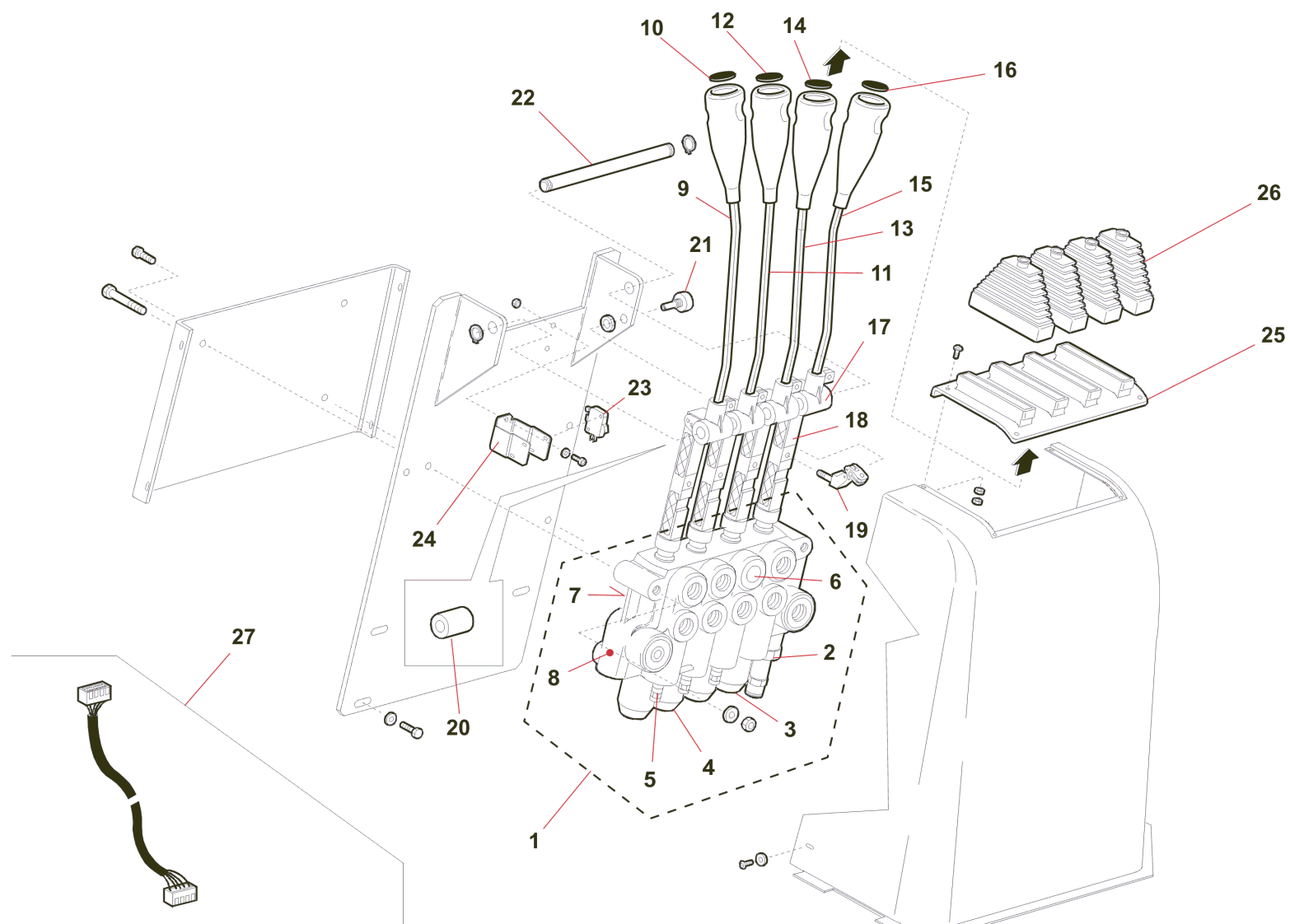
- Please note: If there is no response to CLICKING the link, please download this PDF first and then click on it.

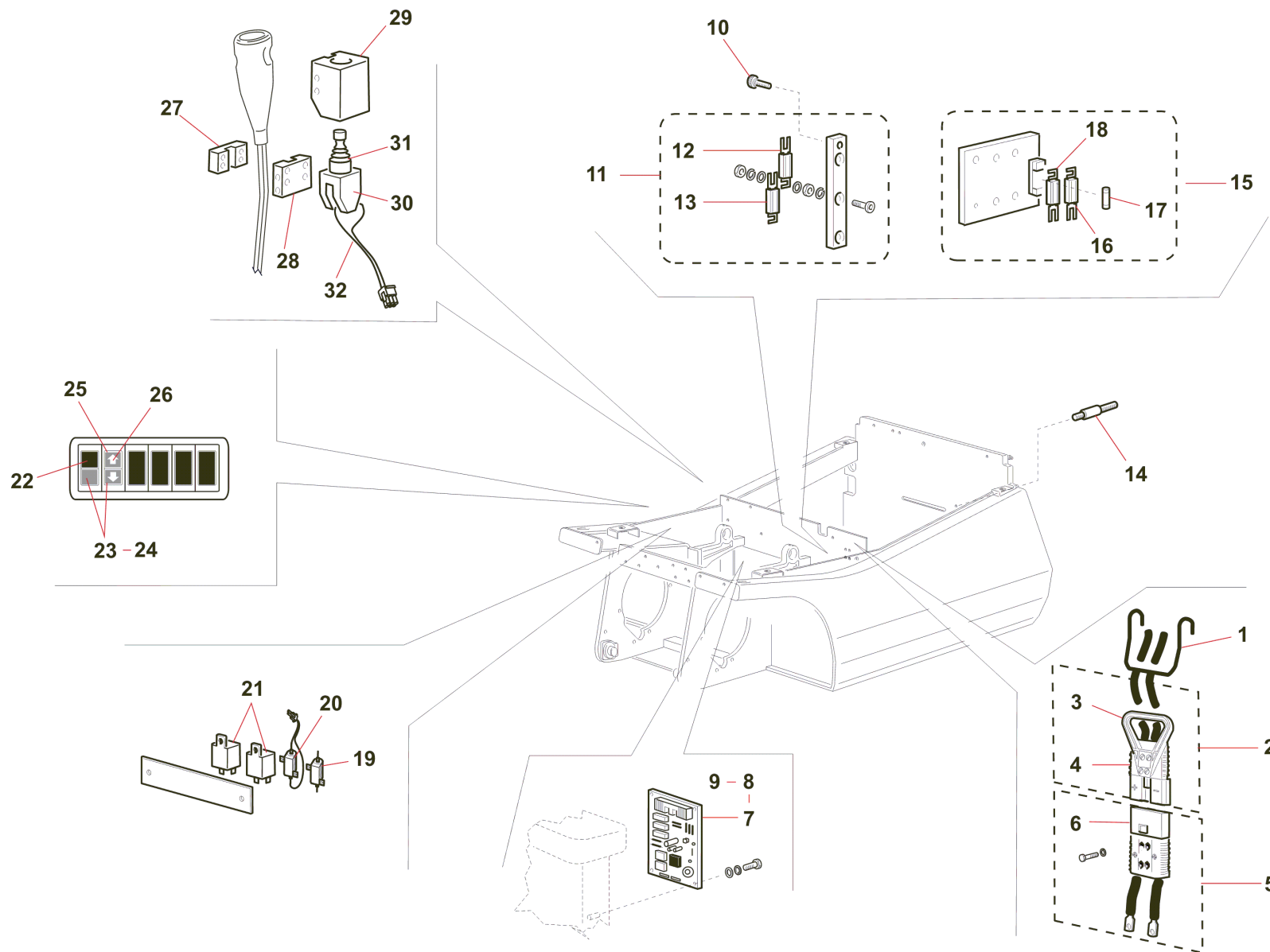
CLICK HERE TO **DOWNLOAD** THE COMPLETE MANUAL

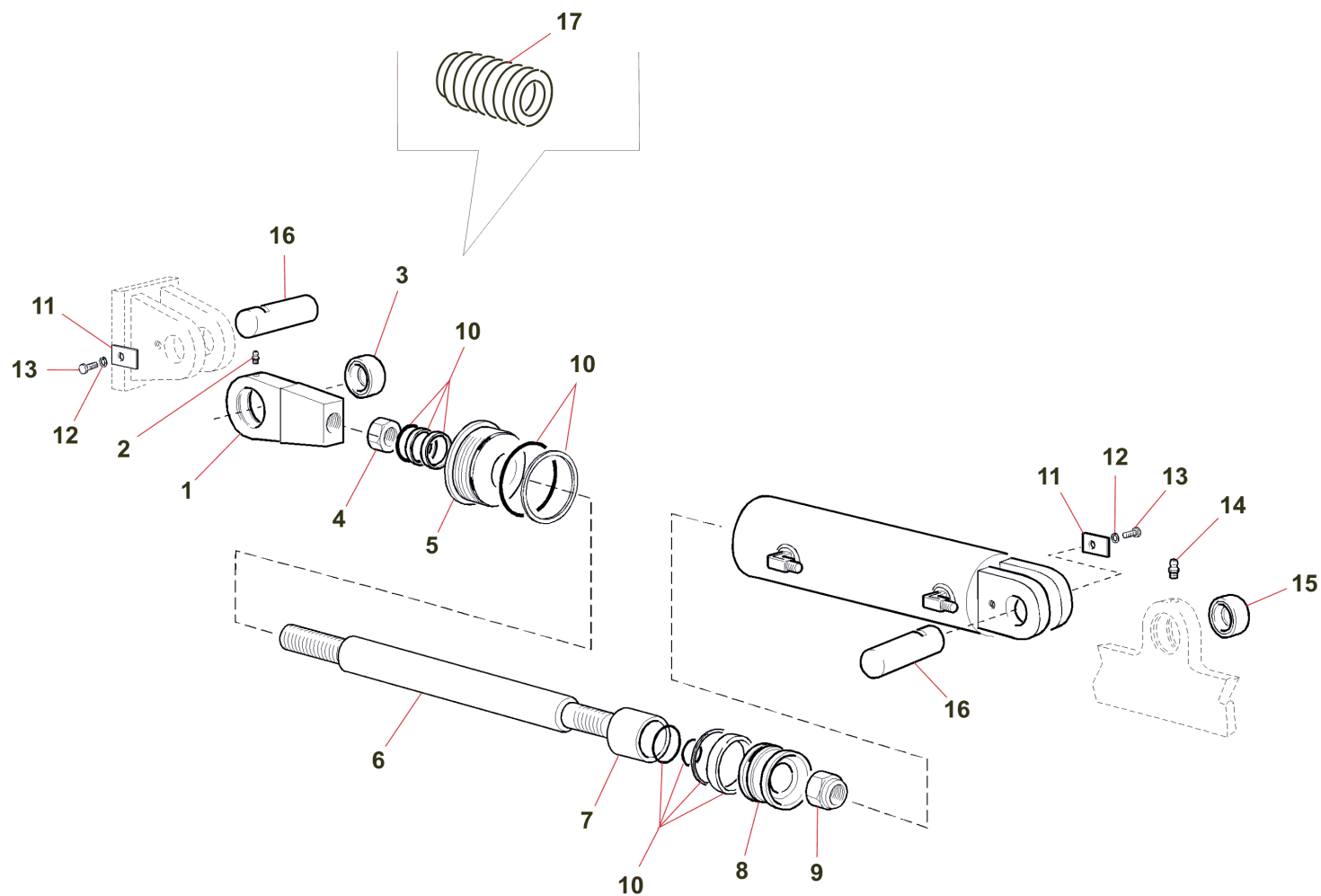


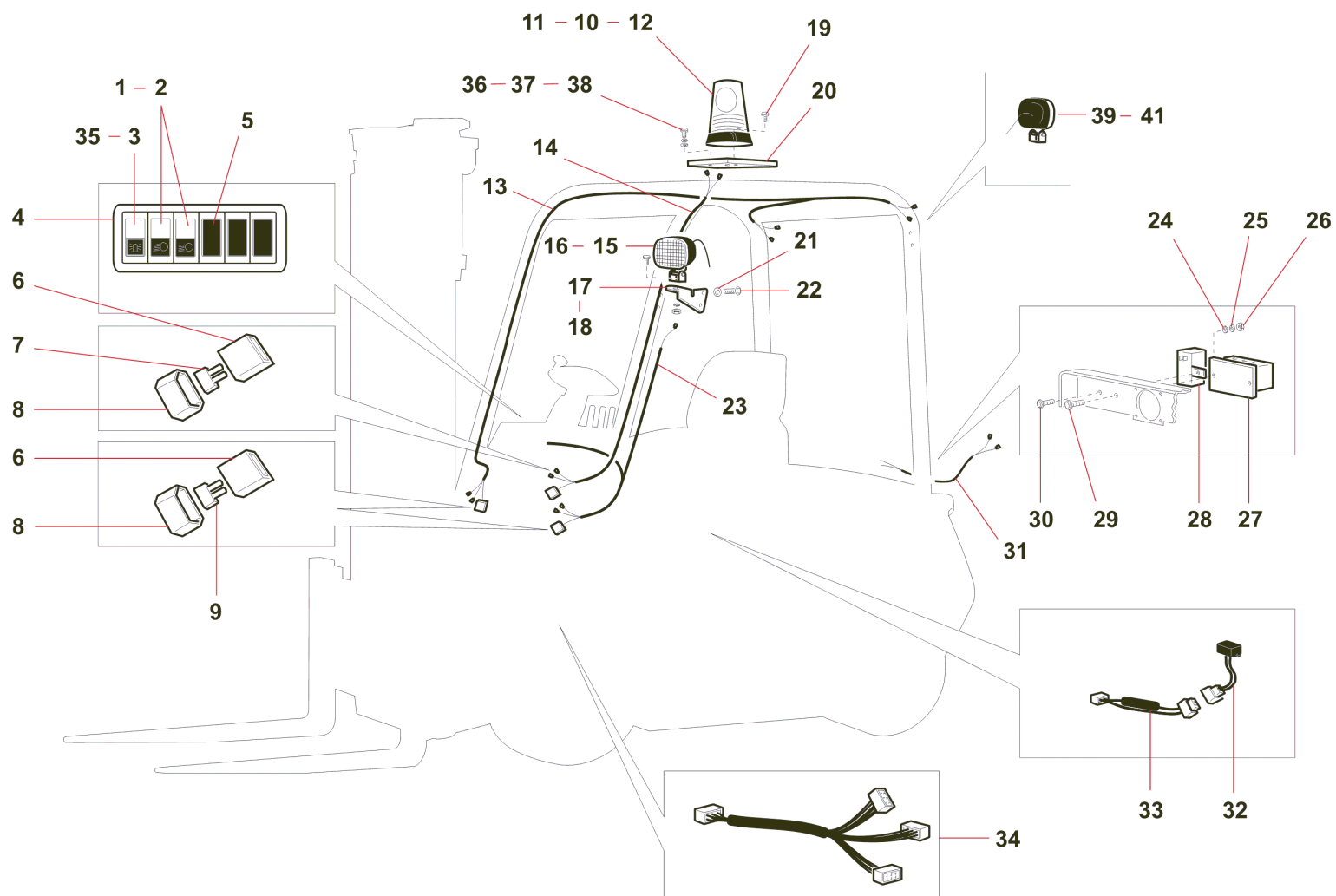


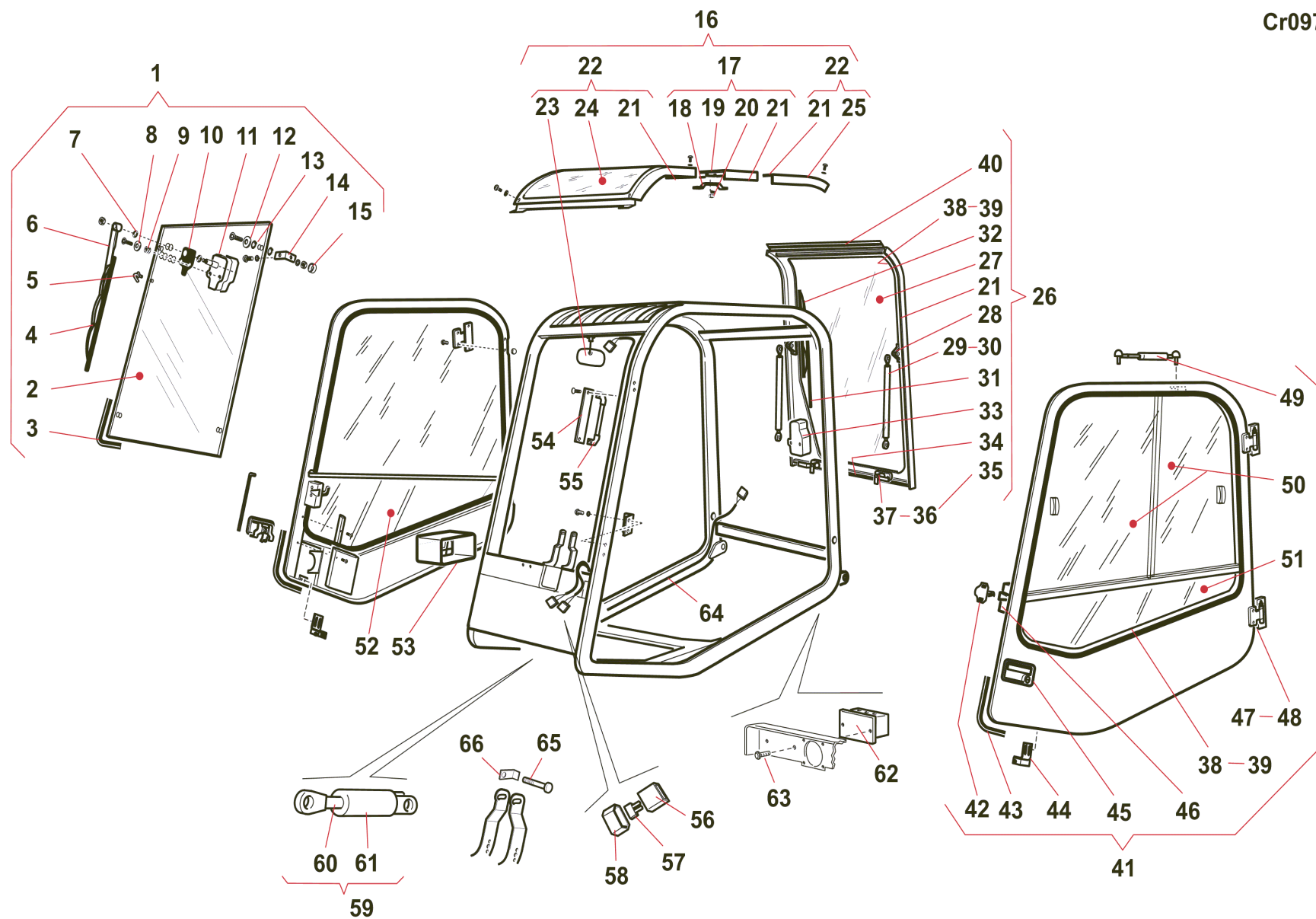


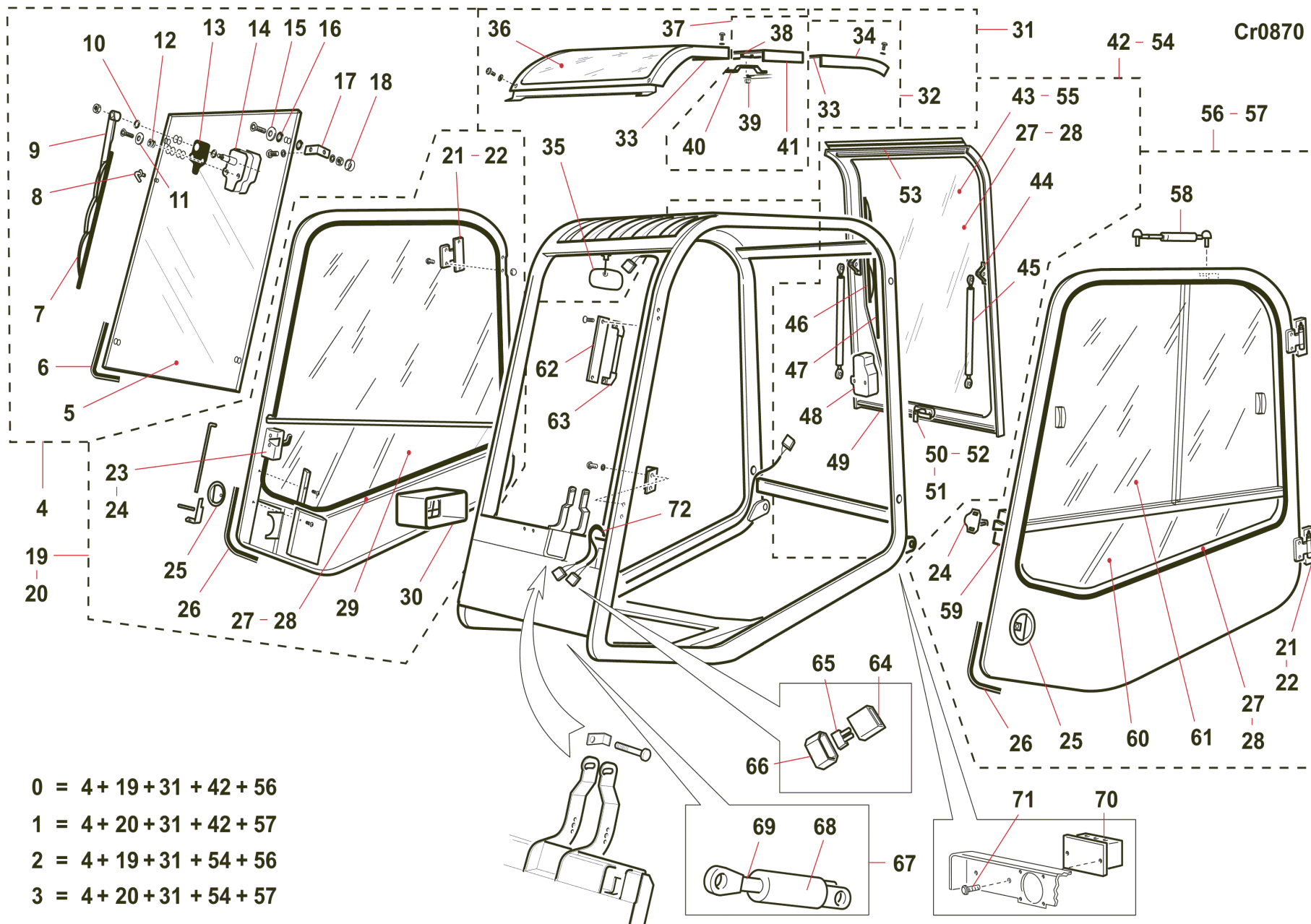










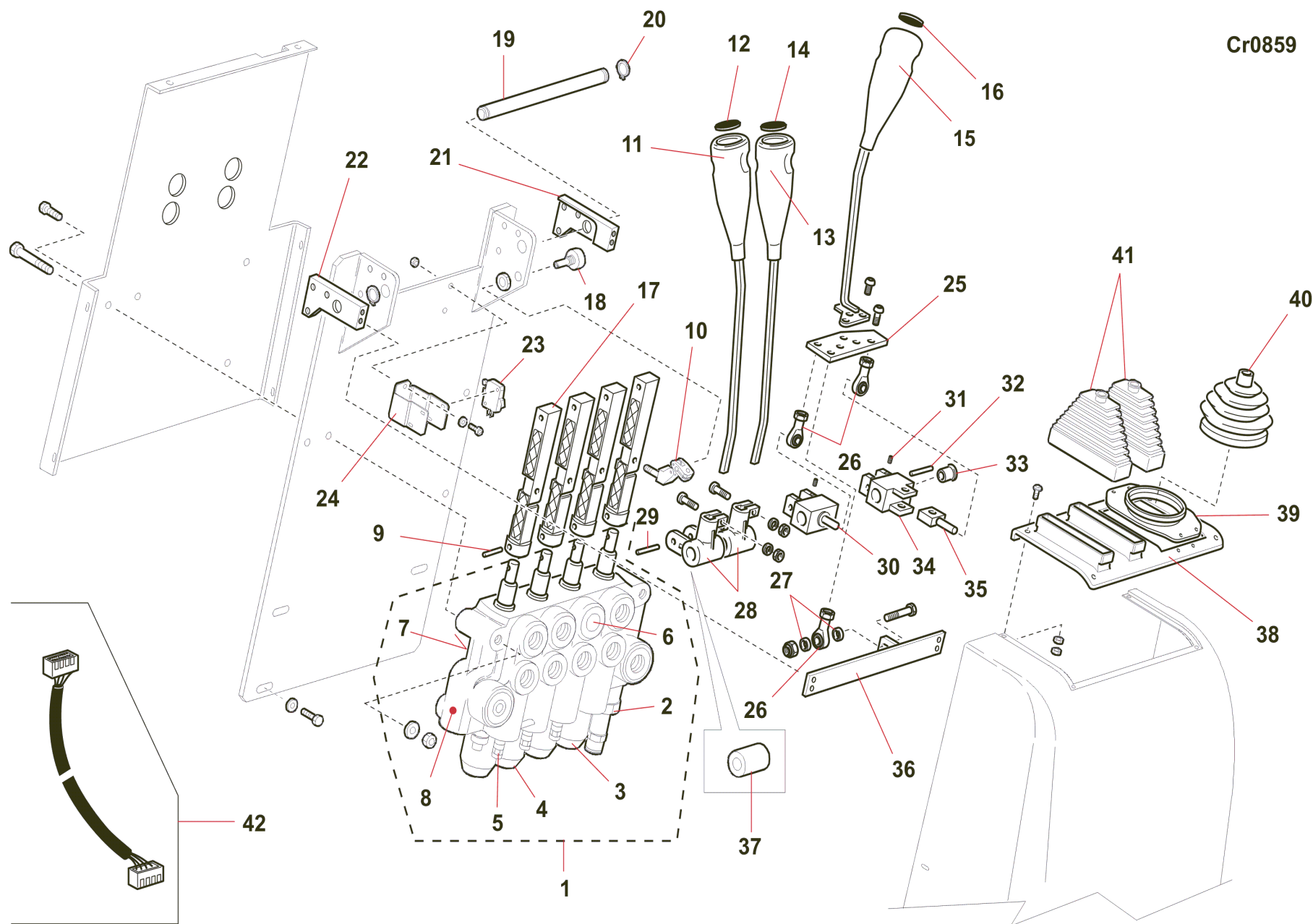


0 = 4 + 19 + 31 + 42 + 56

1 = 4 + 20 + 31 + 42 + 57

2 = 4 + 19 + 31 + 54 + 56

3 = 4 + 20 + 31 + 54 + 57



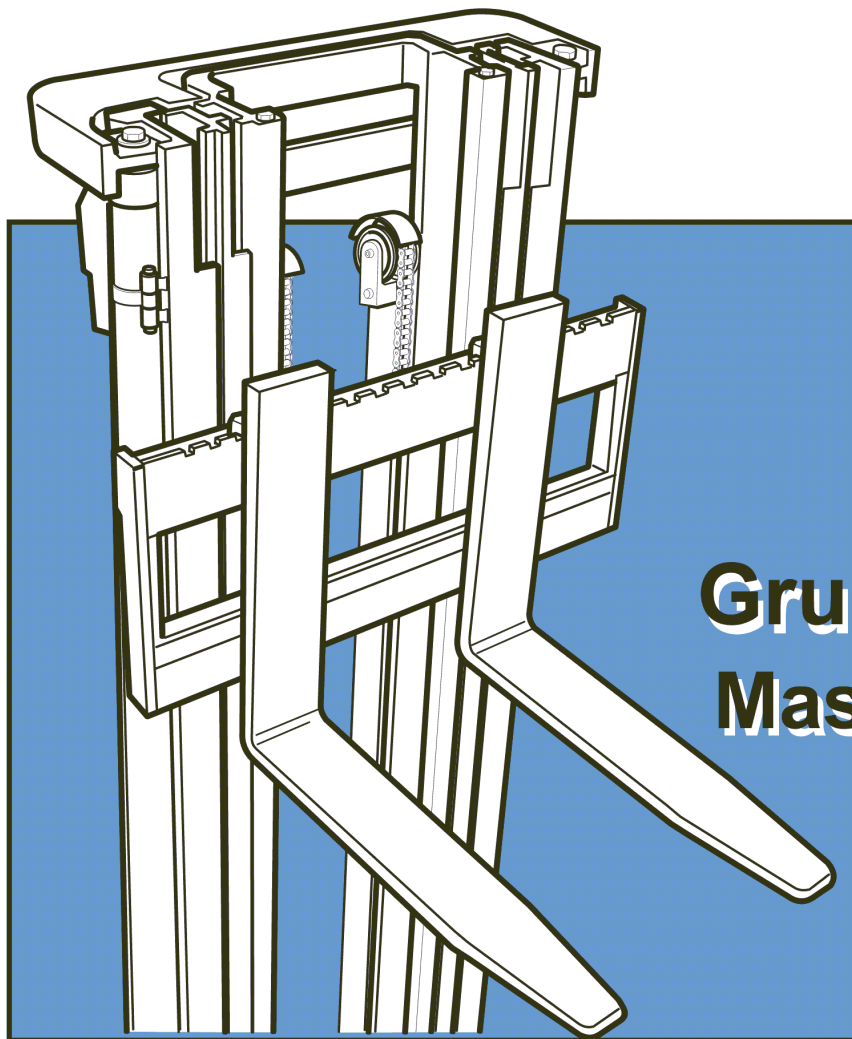
CLICK HERE TO **DOWNLOAD** THE COMPLETE MANUAL

- Thank you very much for reading the preview of the manual.
- You can download the complete manual from: www.heydownloads.com by clicking the link below

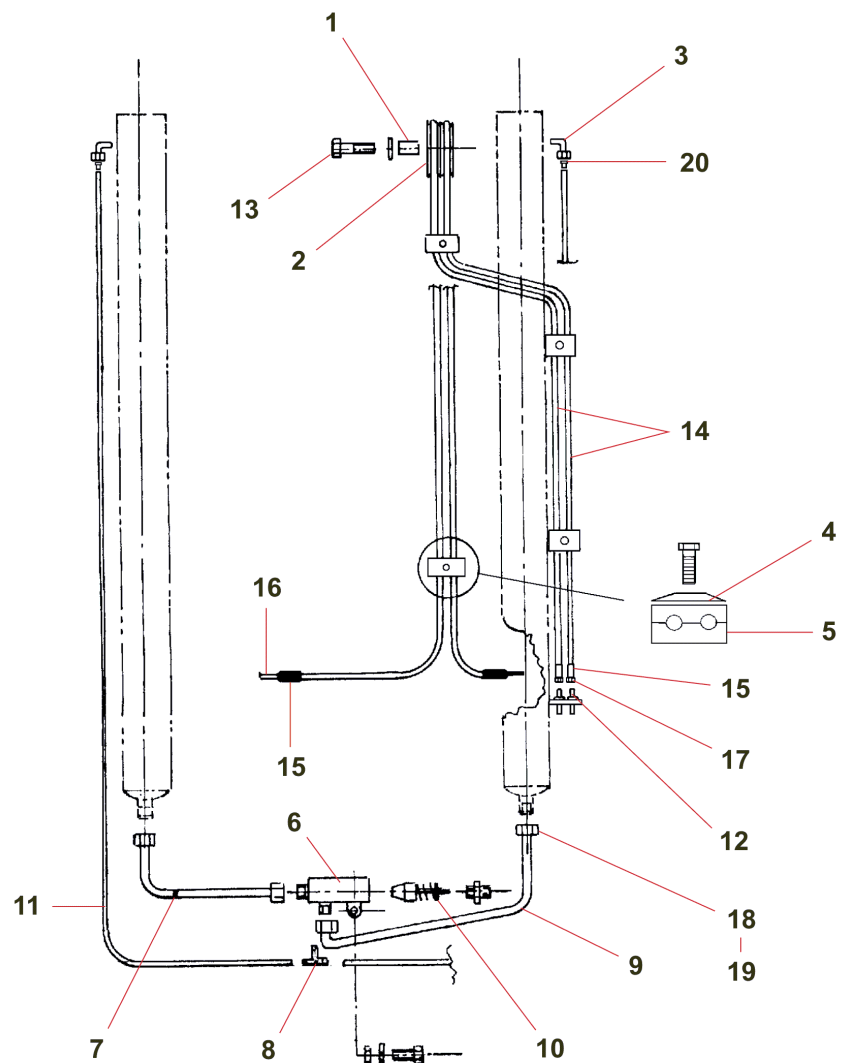


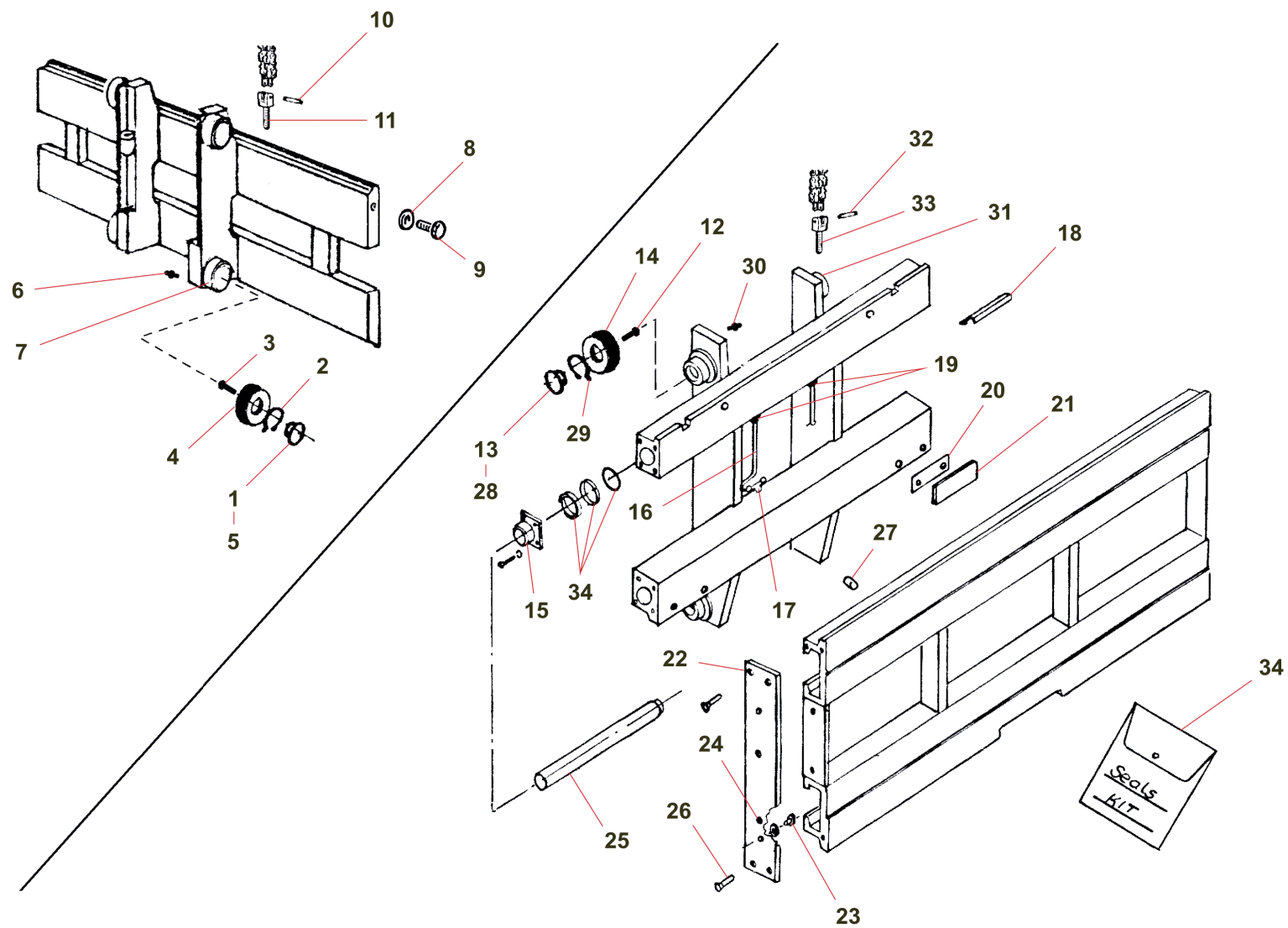
- Please note: If there is no response to CLICKING the link, please download this PDF first and then click on it.

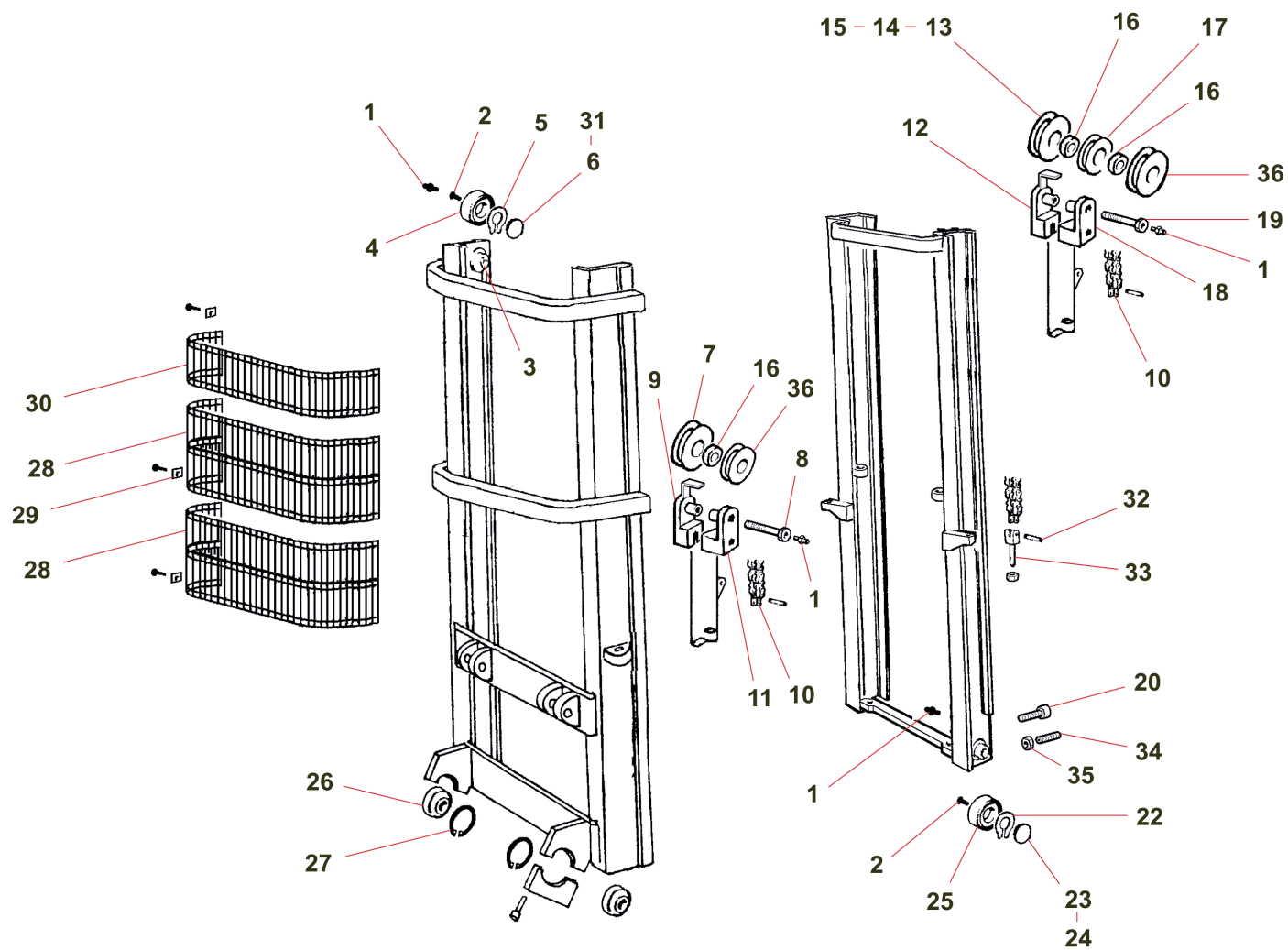
CLICK HERE TO **DOWNLOAD** THE COMPLETE MANUAL

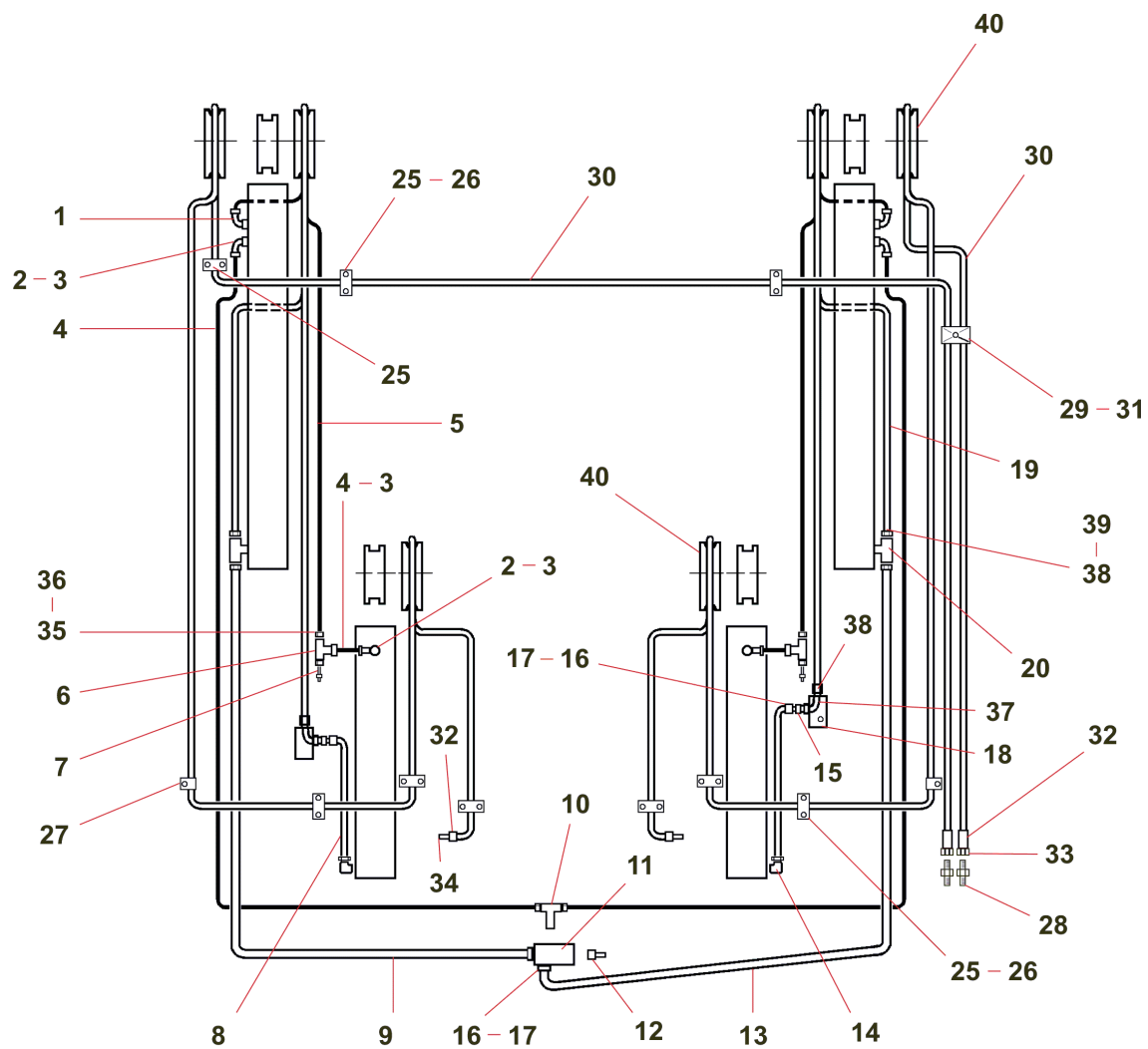


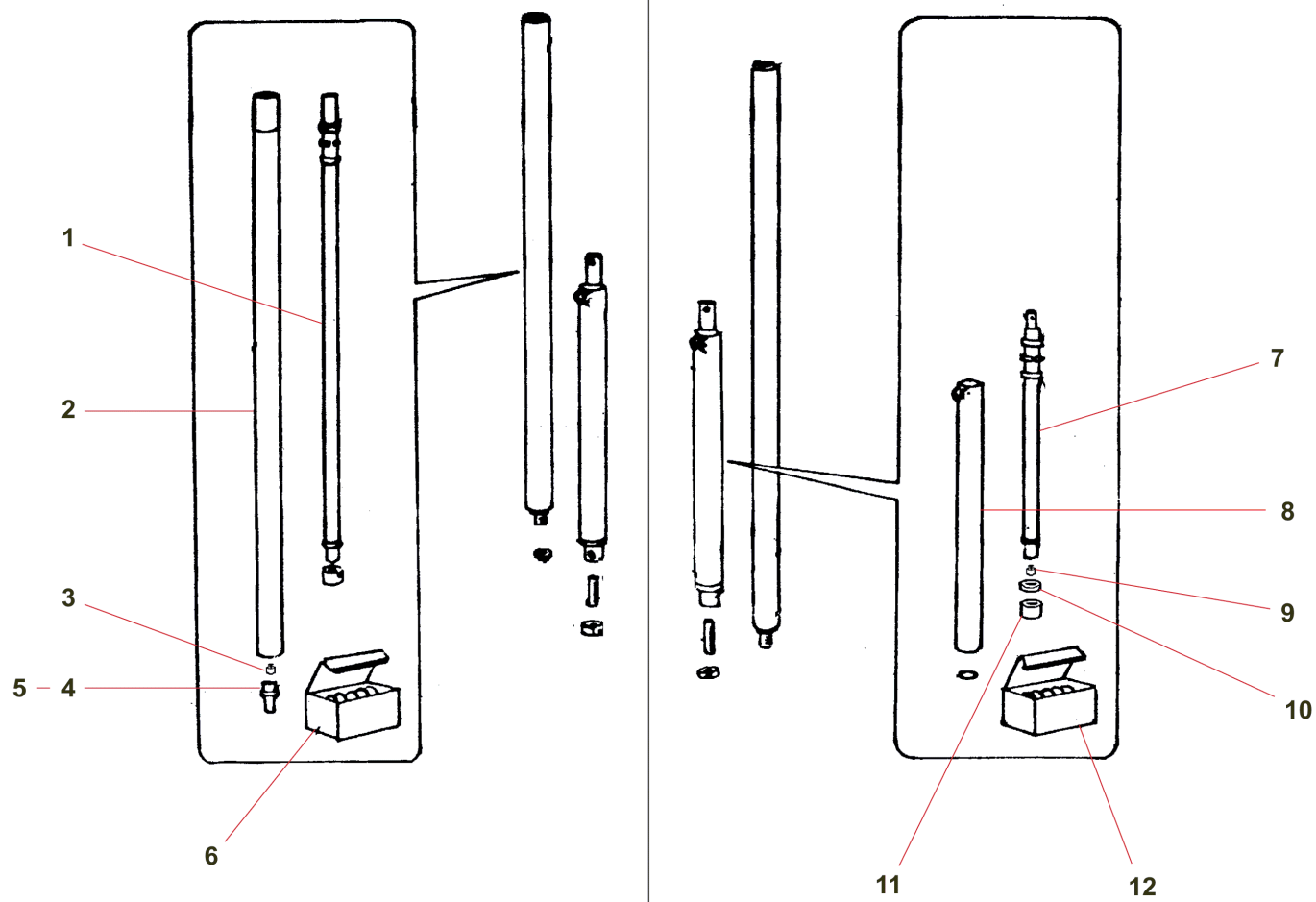
Gruppo Montanti Masts Group

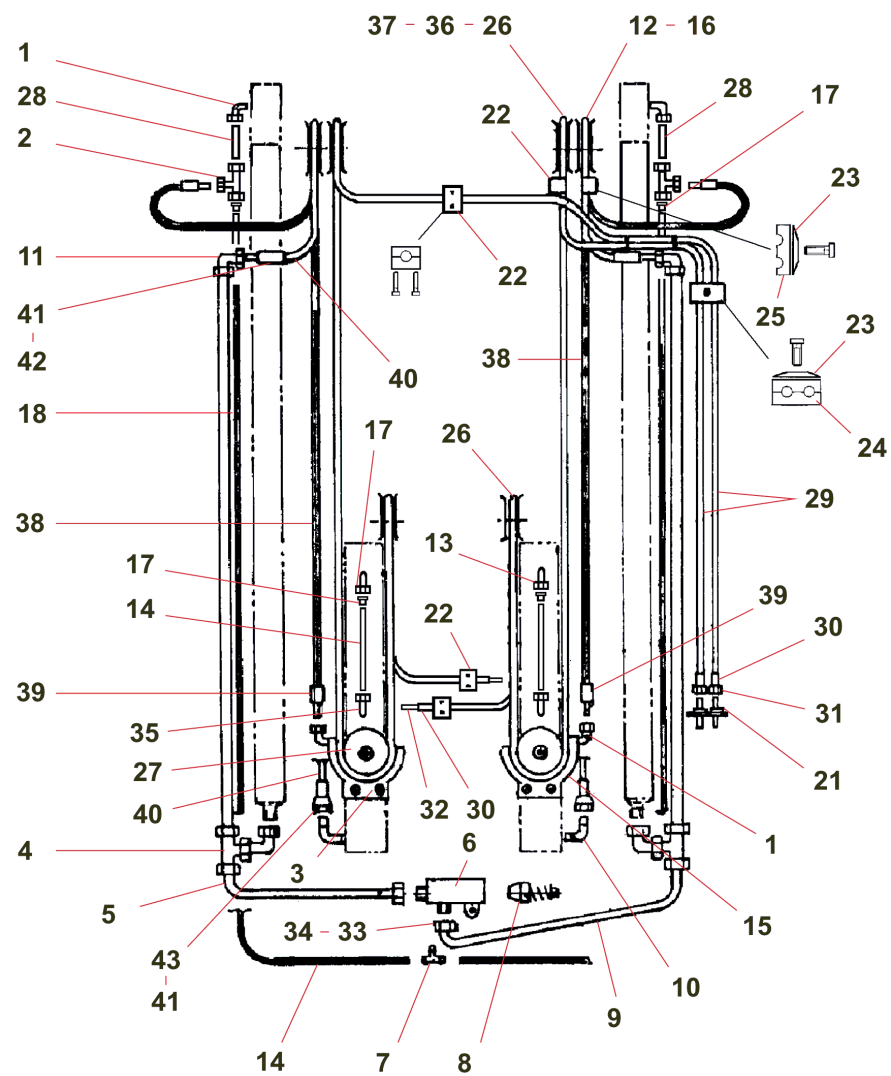


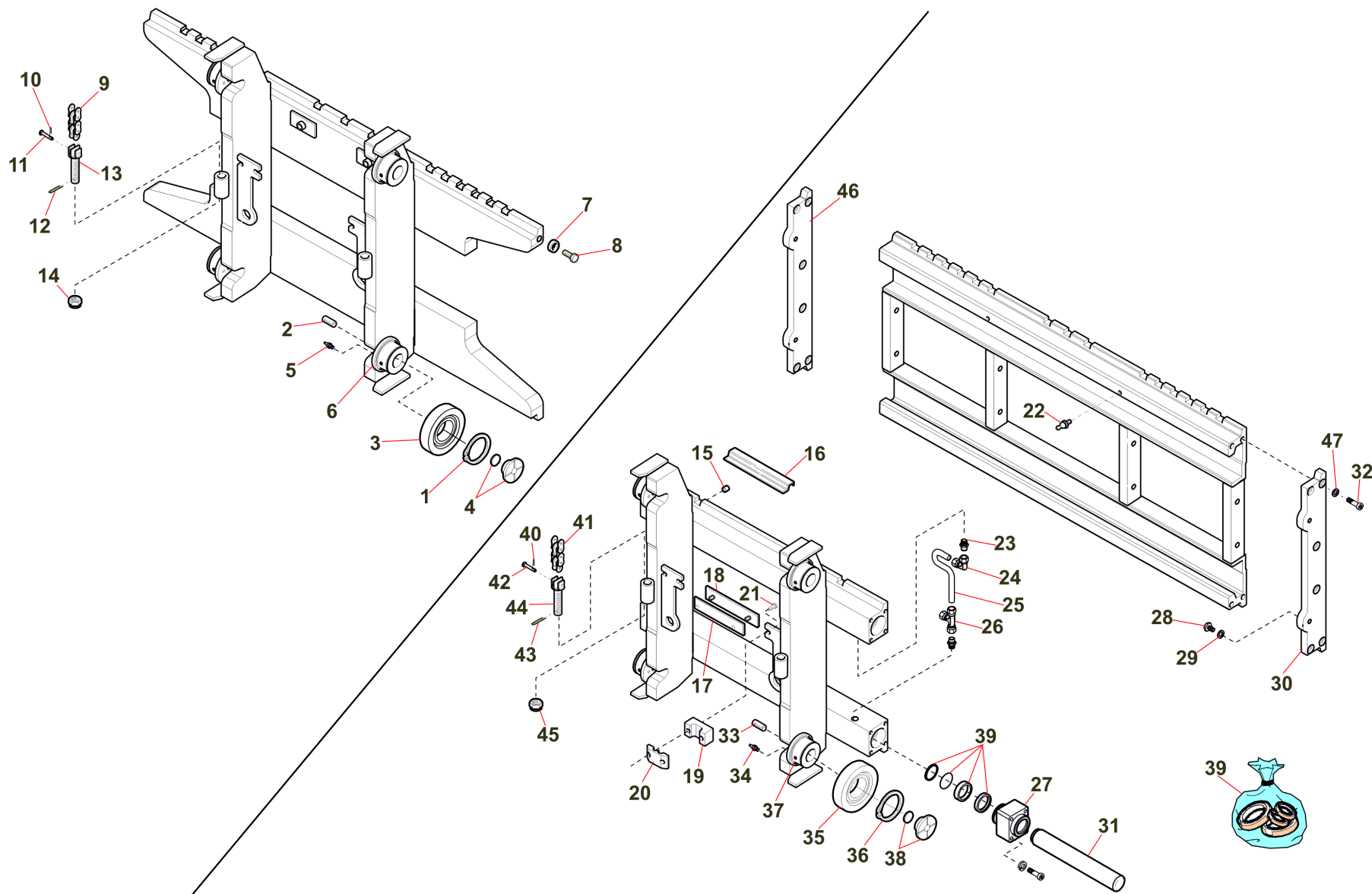


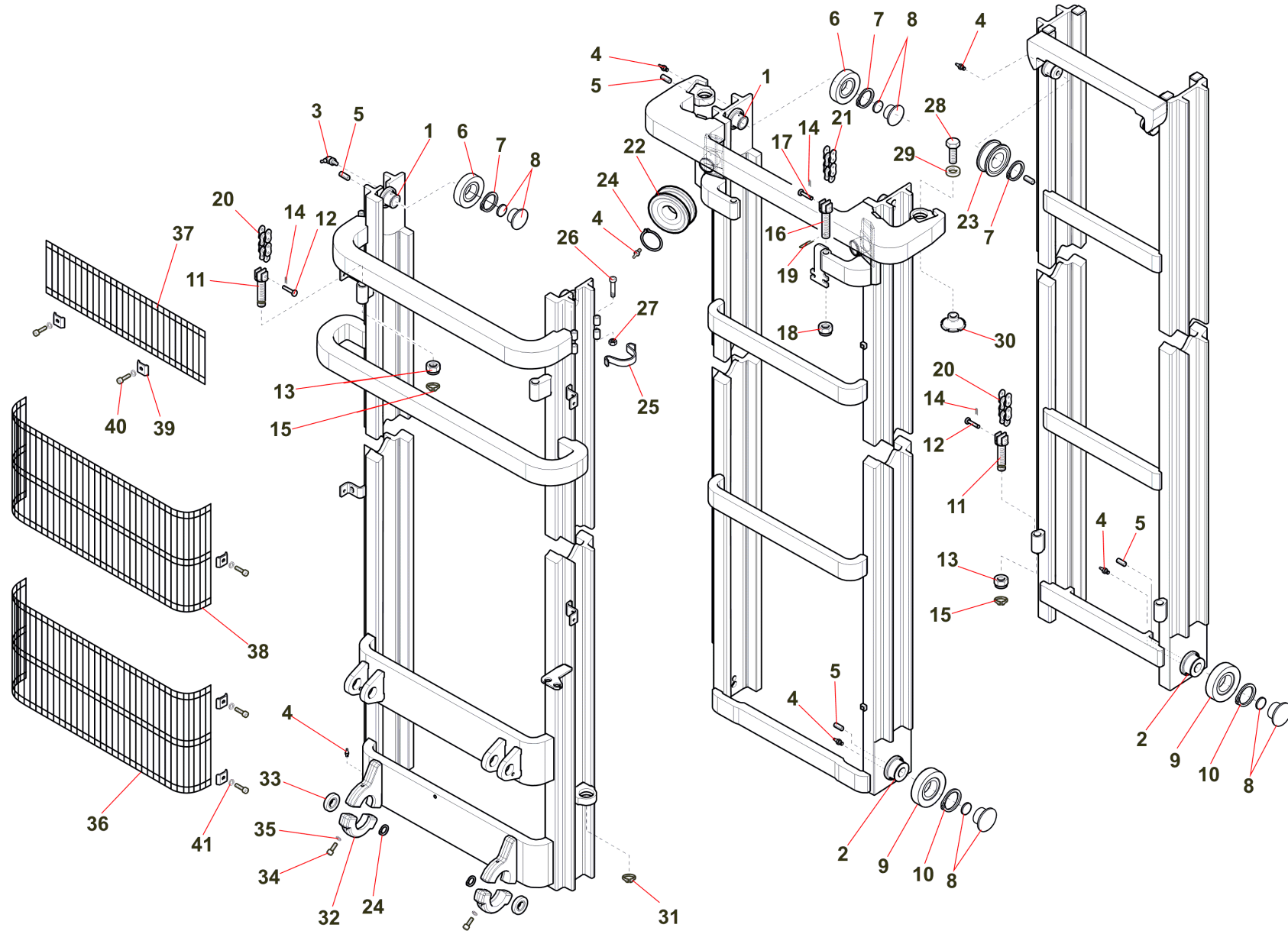


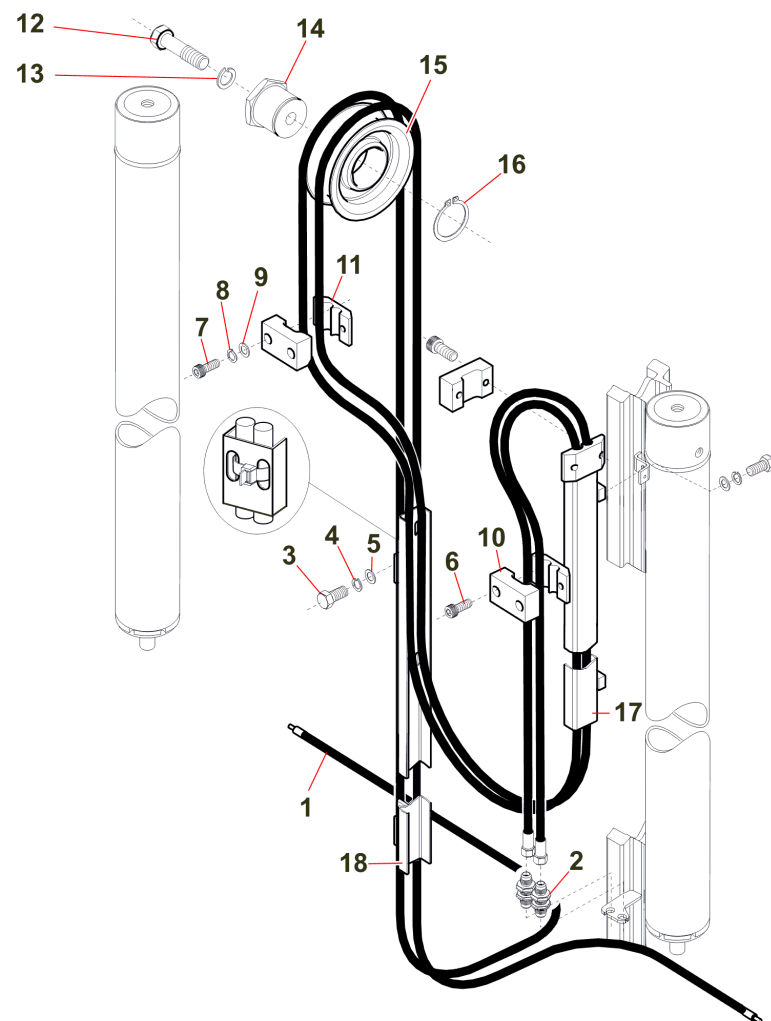


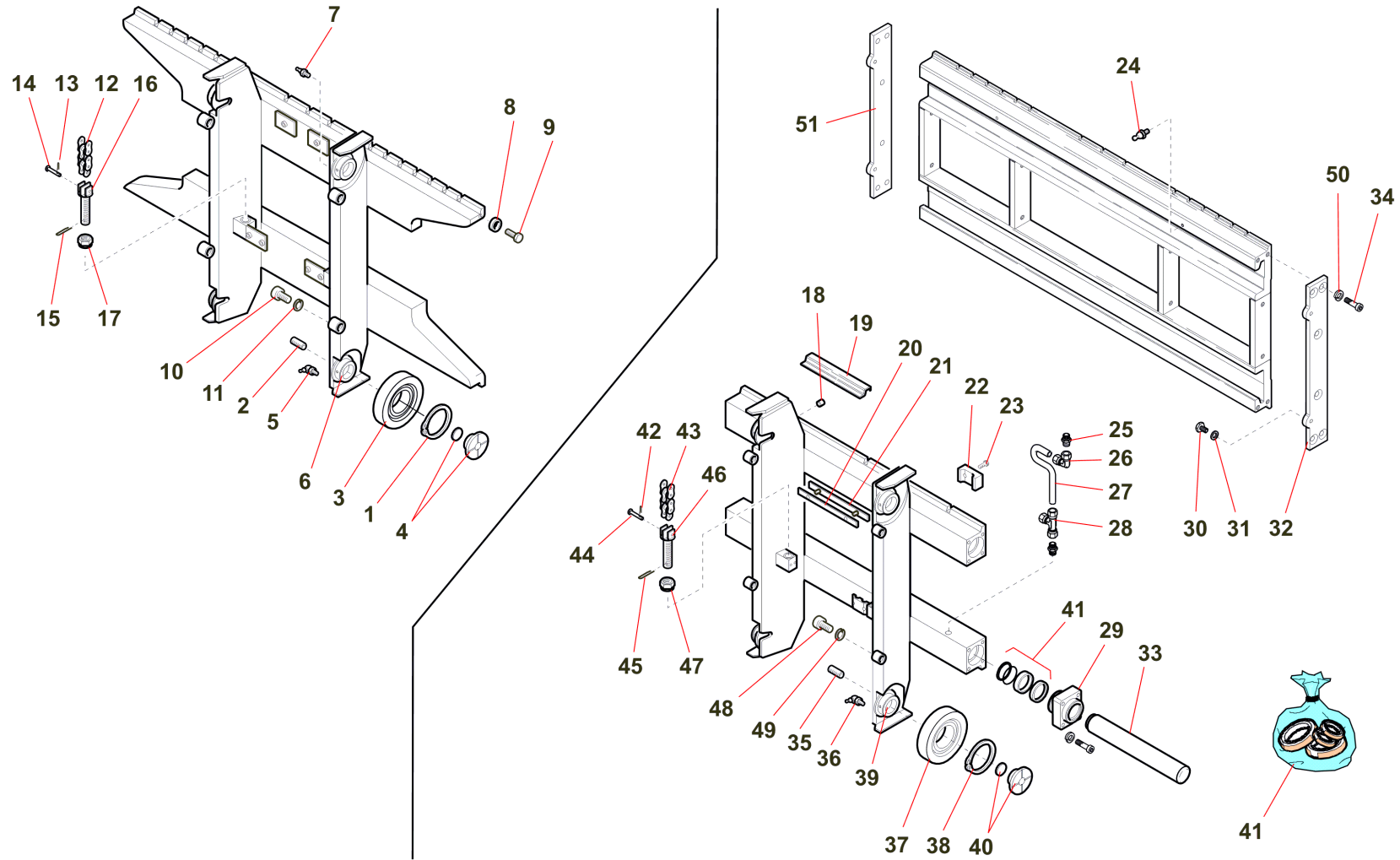


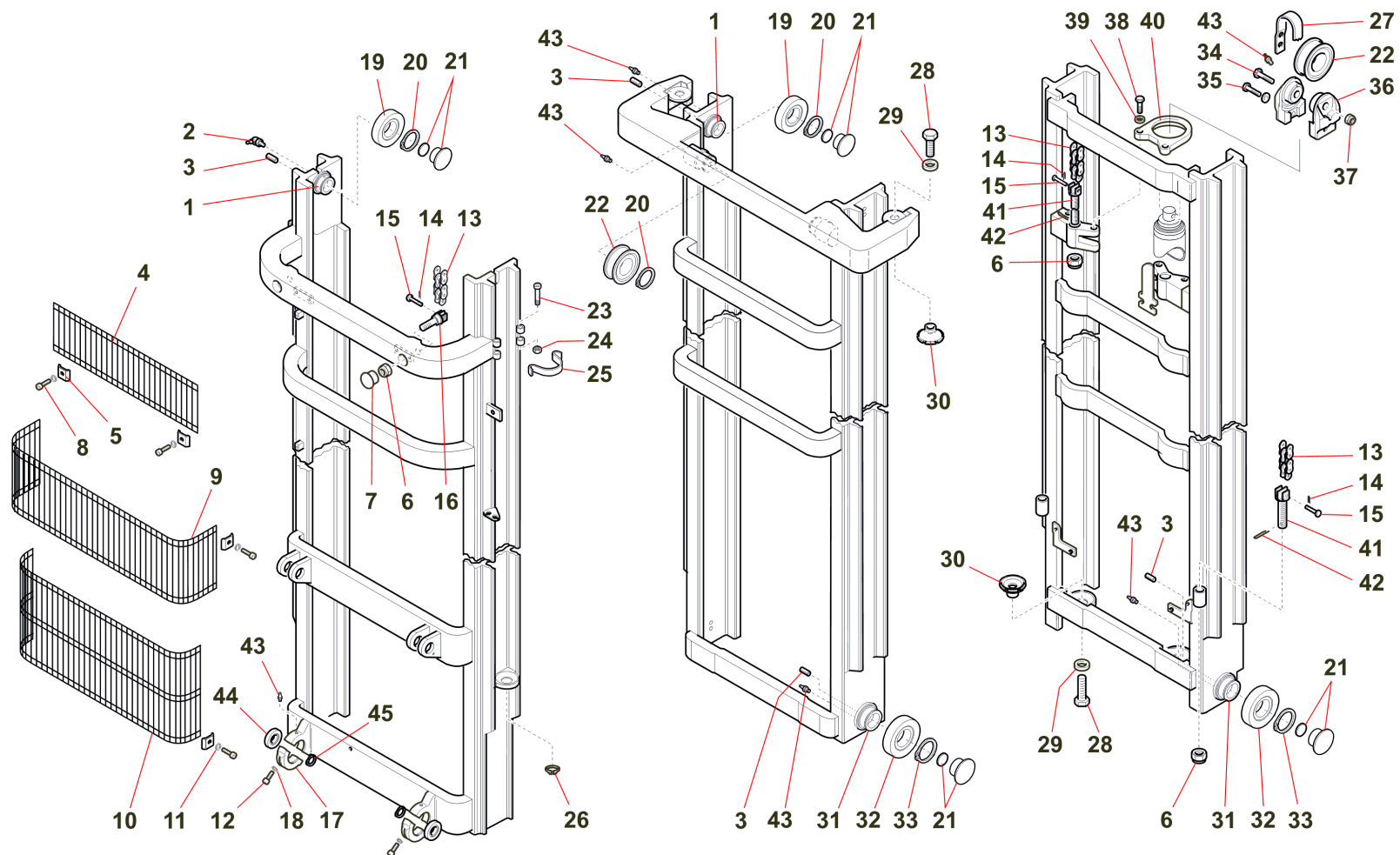


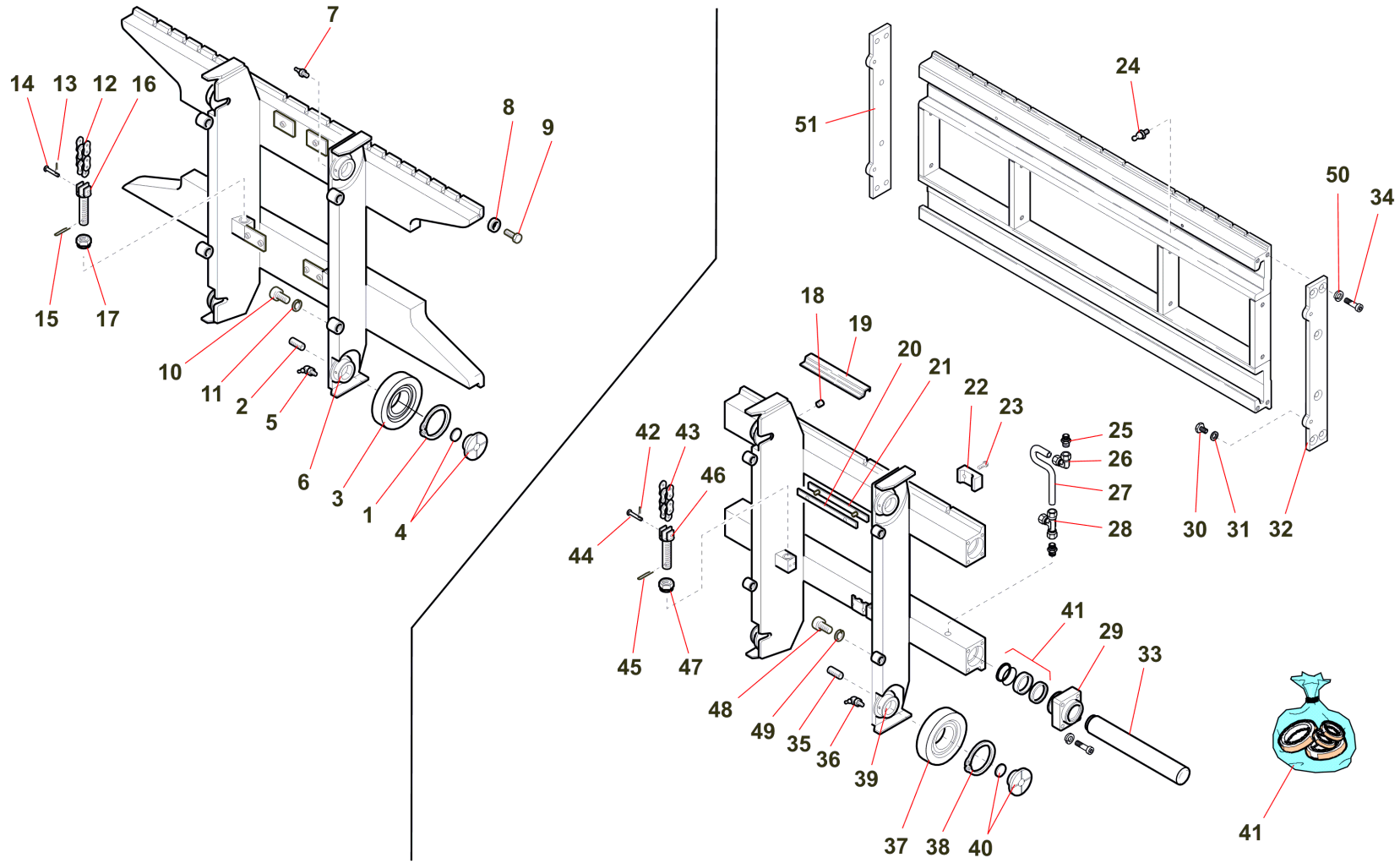












CLICK HERE TO **DOWNLOAD** THE COMPLETE MANUAL

- Thank you very much for reading the preview of the manual.
- You can download the complete manual from: www.heydownloads.com by clicking the link below



- Please note: If there is no response to CLICKING the link, please download this PDF first and then click on it.

CLICK HERE TO **DOWNLOAD** THE COMPLETE MANUAL