
BELARUS ***1221.4***

with motor TCD 2012 L062V (104,6 kW)

1221.4-0000010 KDS

CATALOGUE OF PARTS AND ASSEMBLY UNITS

CLICK HERE TO **DOWNLOAD** THE COMPLETE MANUAL

- Thank you very much for reading the preview of the manual.
- You can download the complete manual from: www.heydownloads.com by clicking the link below



- Please note: If there is no response to CLICKING the link, please download this PDF first and then click on it.

CLICK HERE TO **DOWNLOAD** THE COMPLETE MANUAL

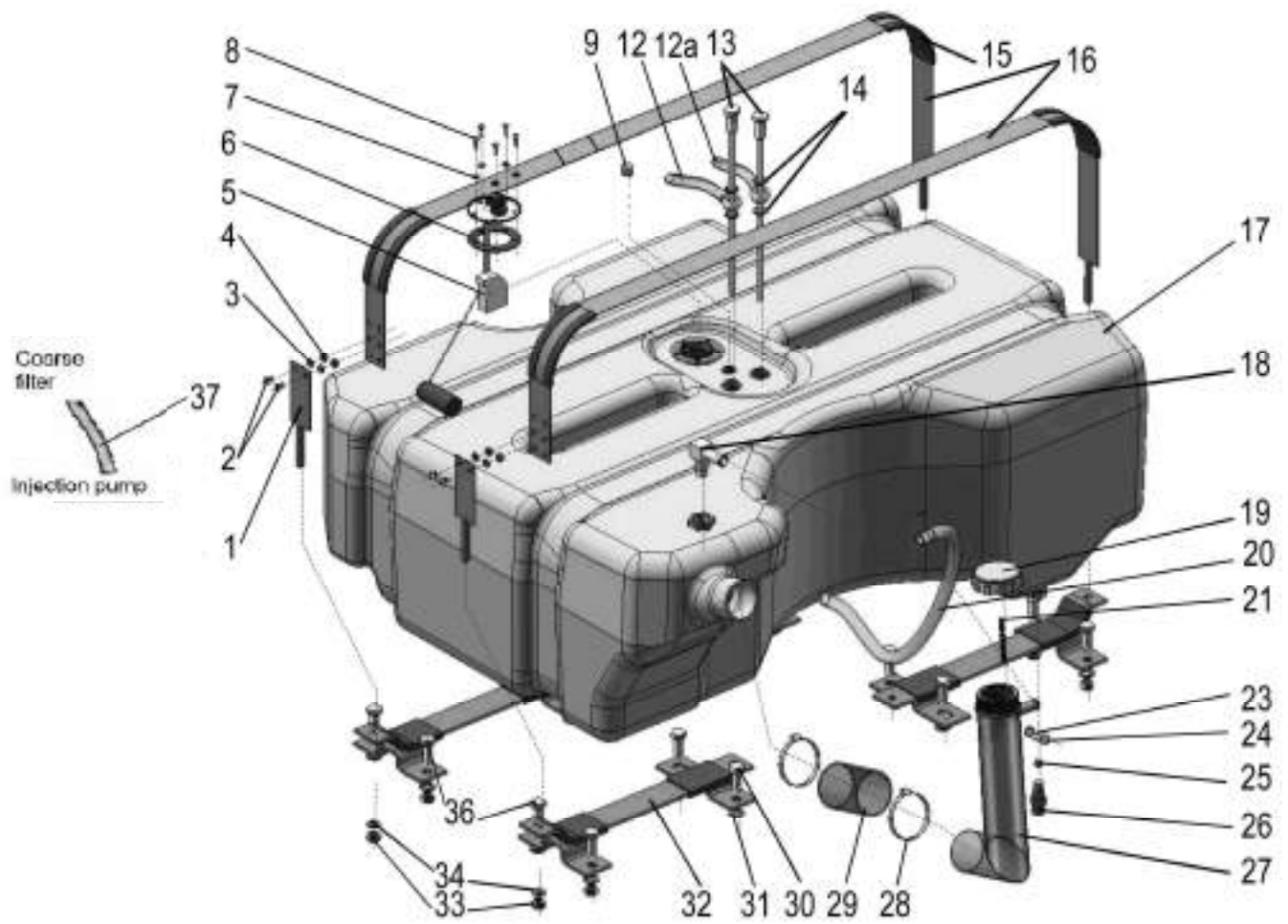


Fig.11.1 Fuel tank

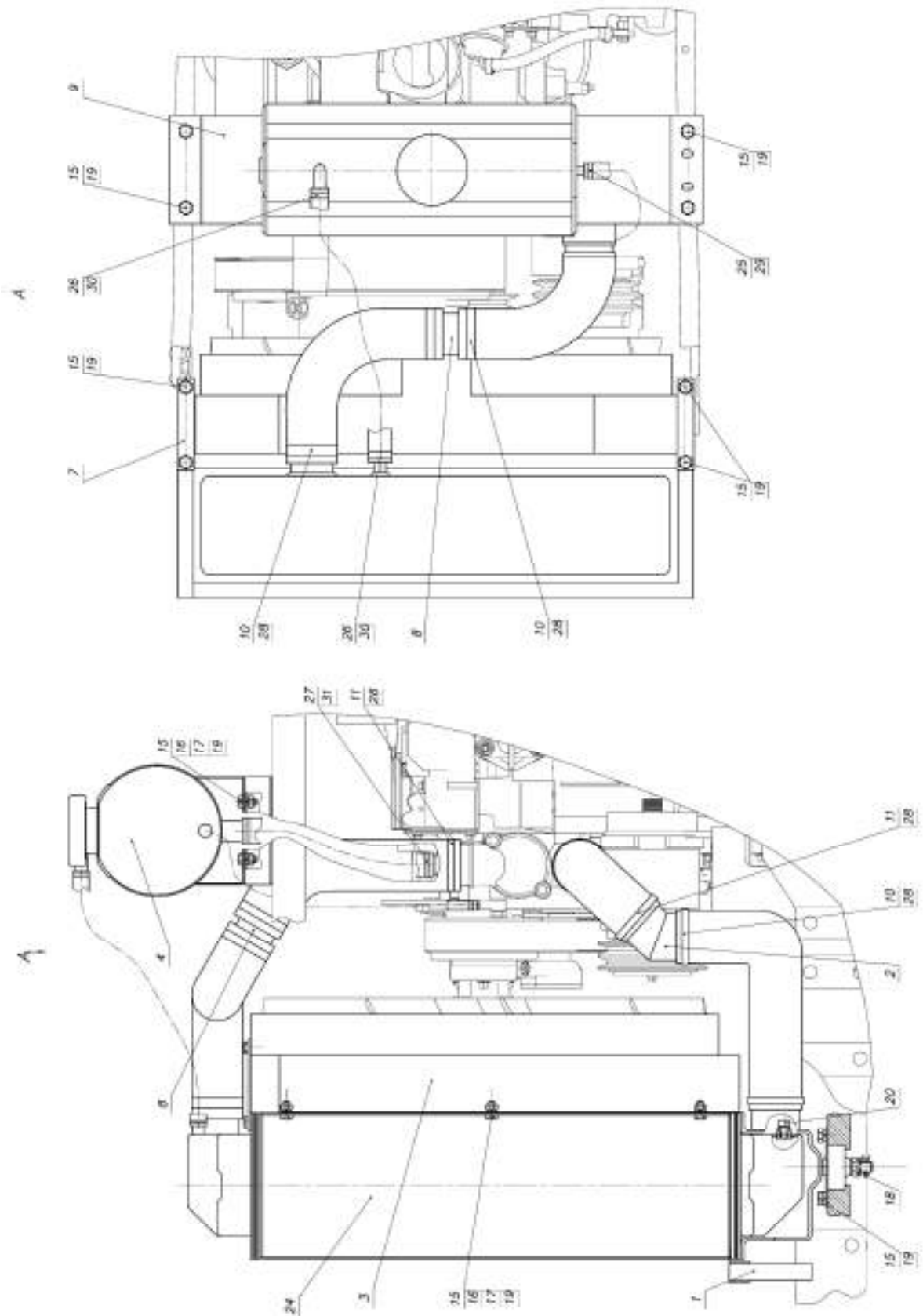
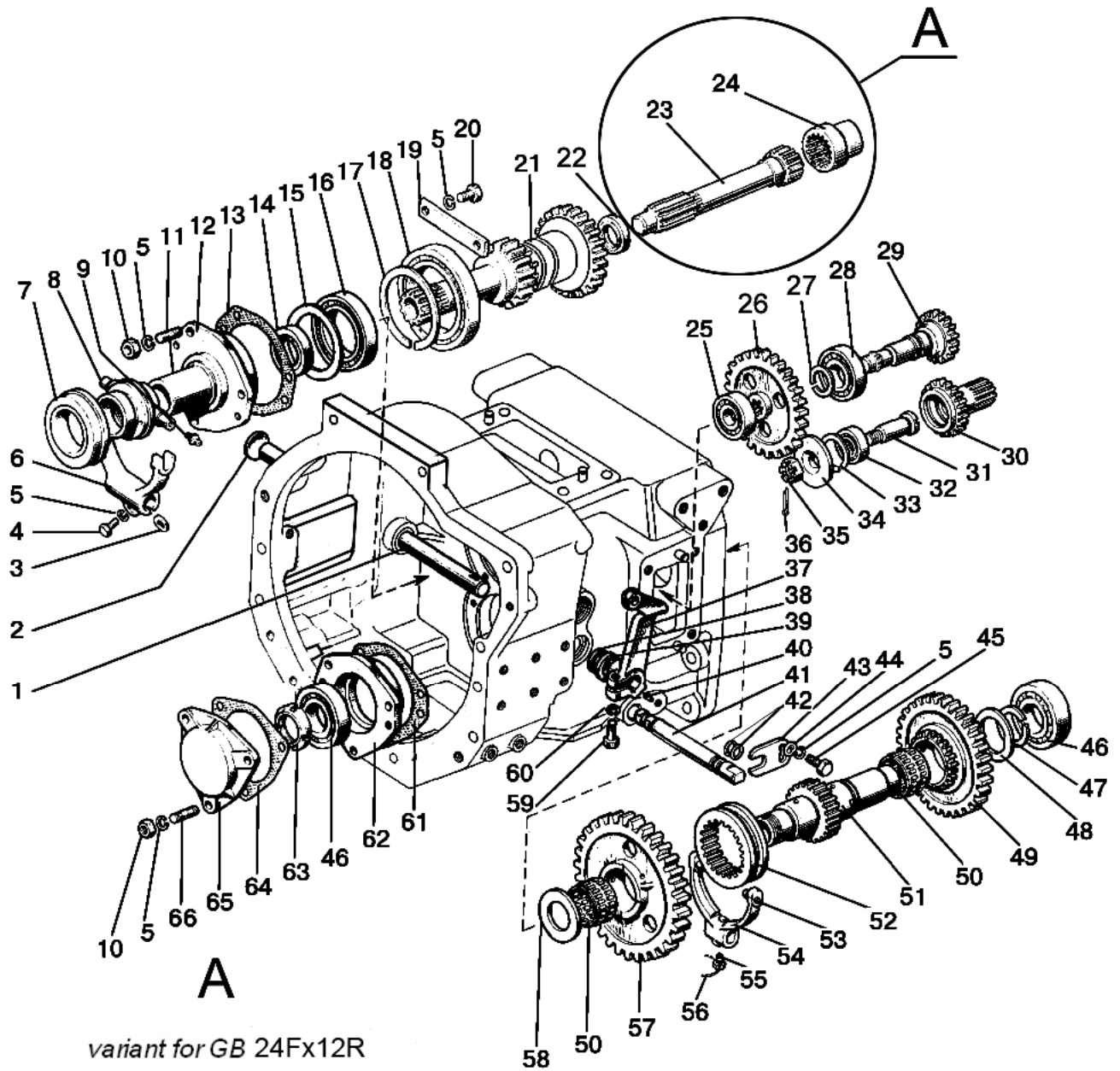


Fig. 13.1 Cooling unit 1523Д-1301009



variant for GB 24Fx12R

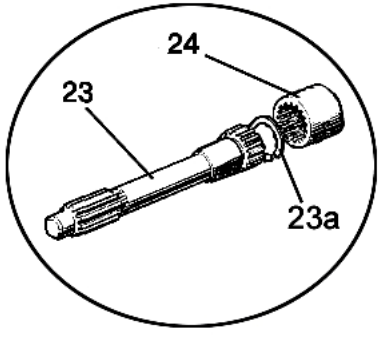


Fig. 16.3 Clutch housing

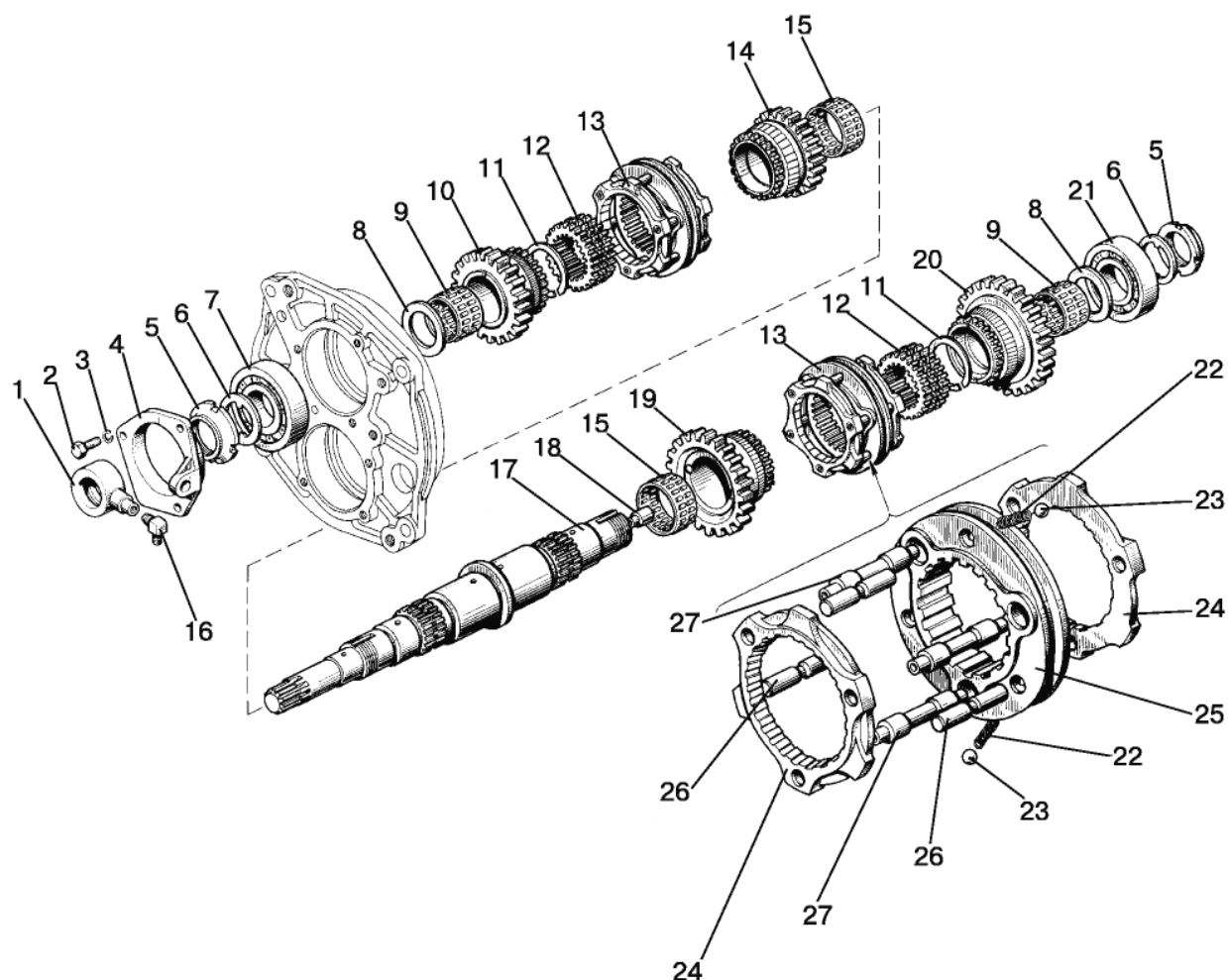


Fig. 17.2. Gear box (GB). Primary shaft

Group 17. Gear box (GB)

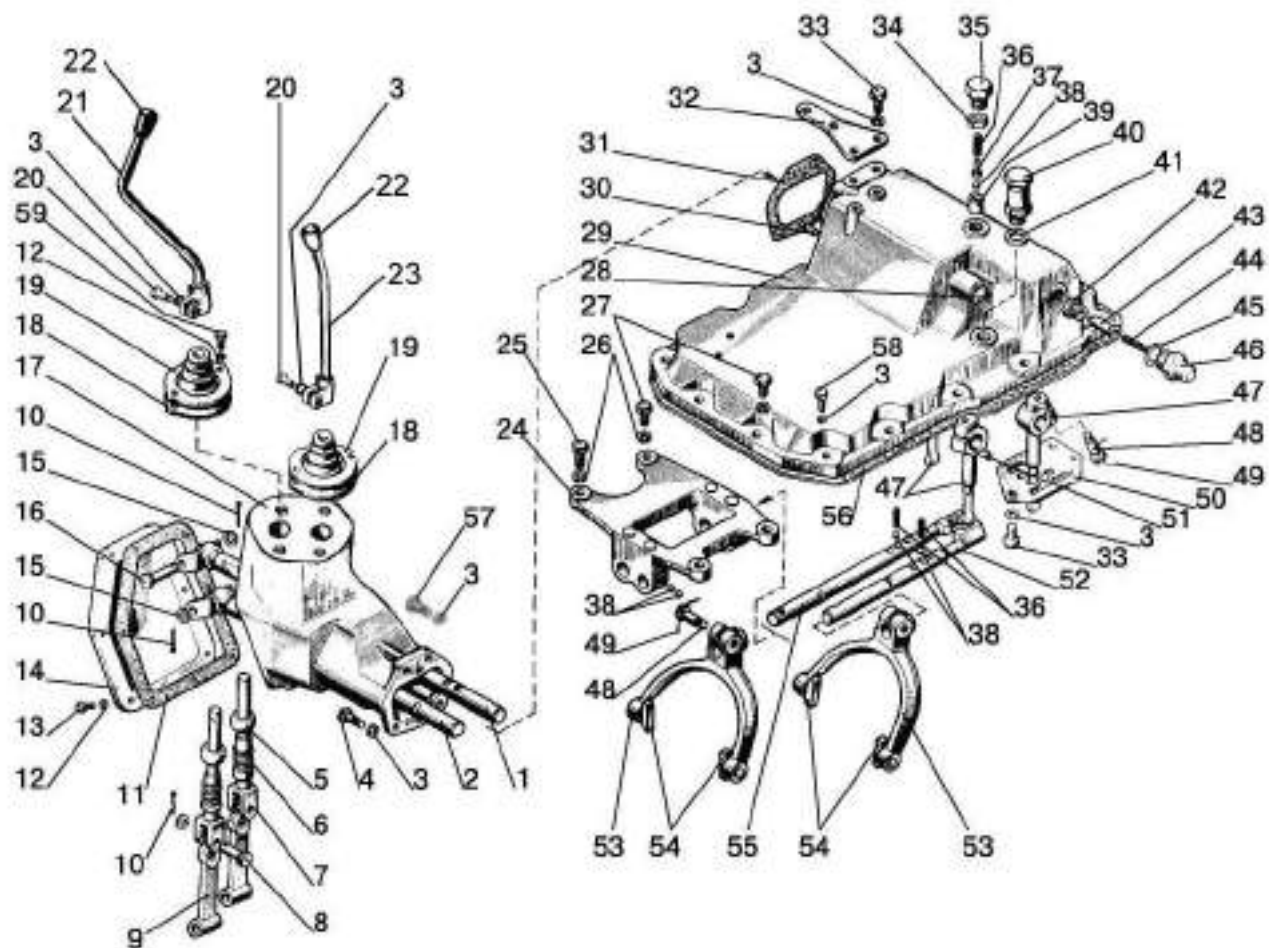
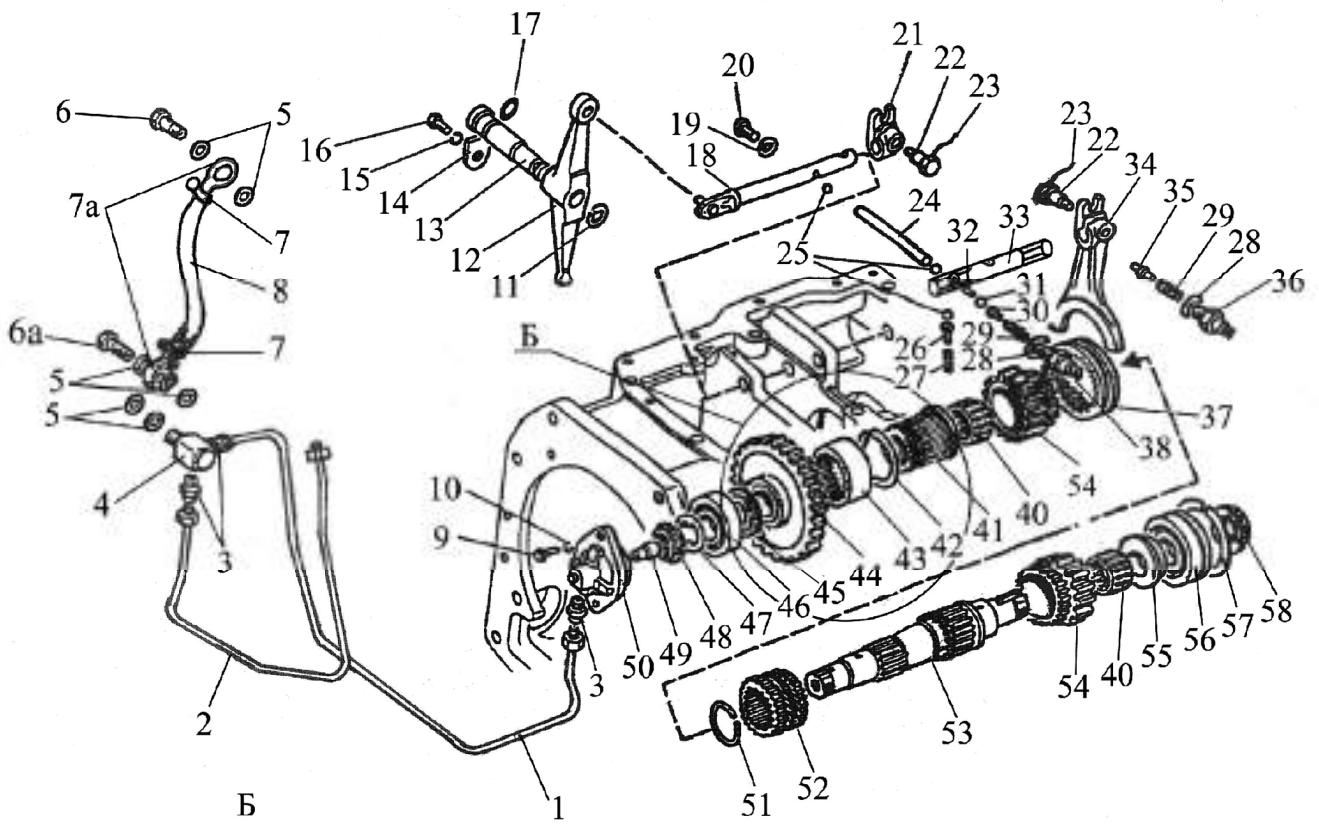


Fig. 17.6. GB control mechanism



variant with creeper

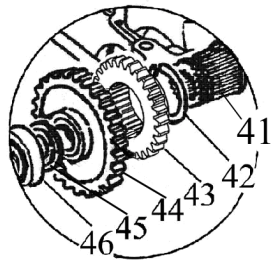


Fig. 17.10 Low gear and back draft shaft

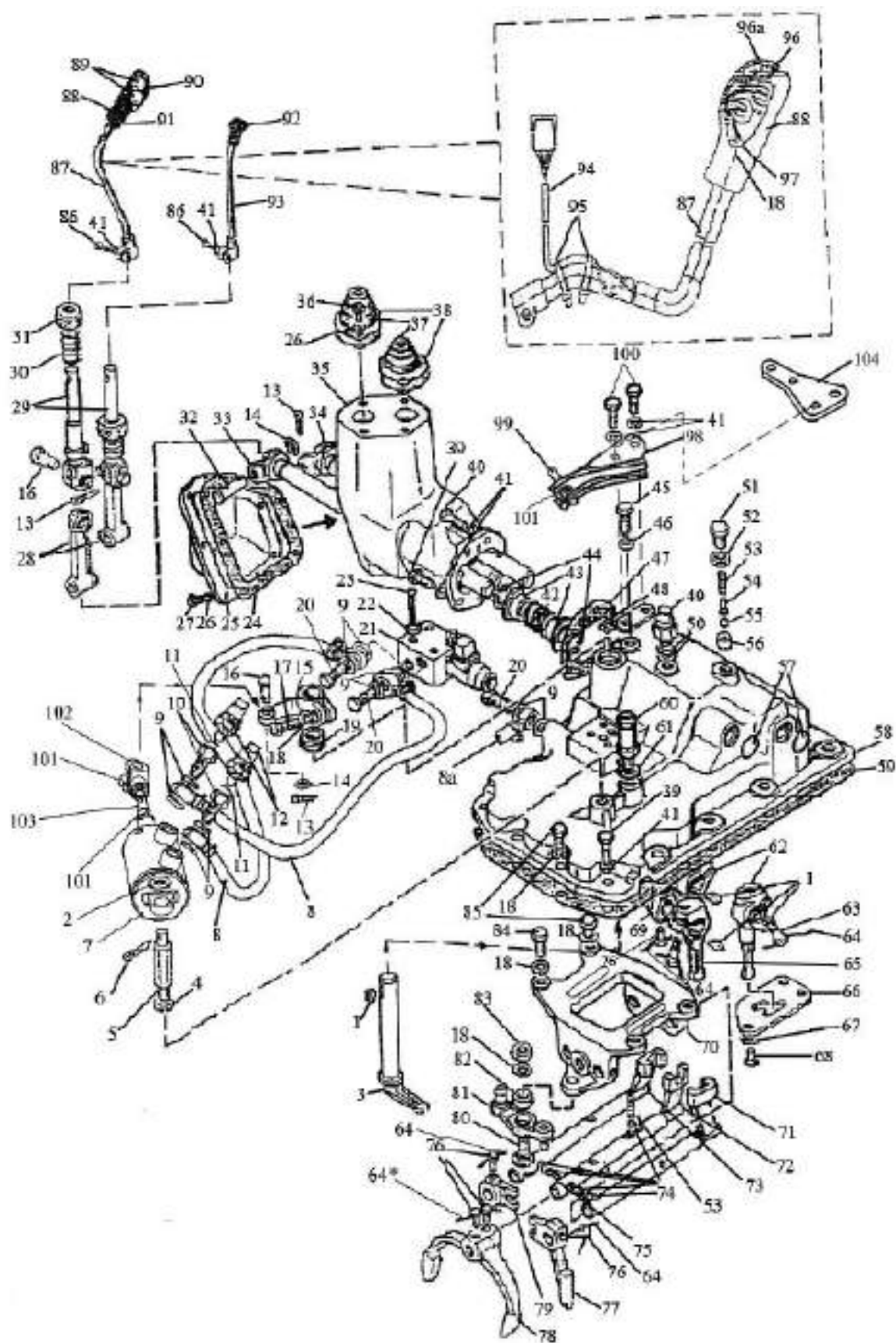


Fig. 17.13 GB control mechanism

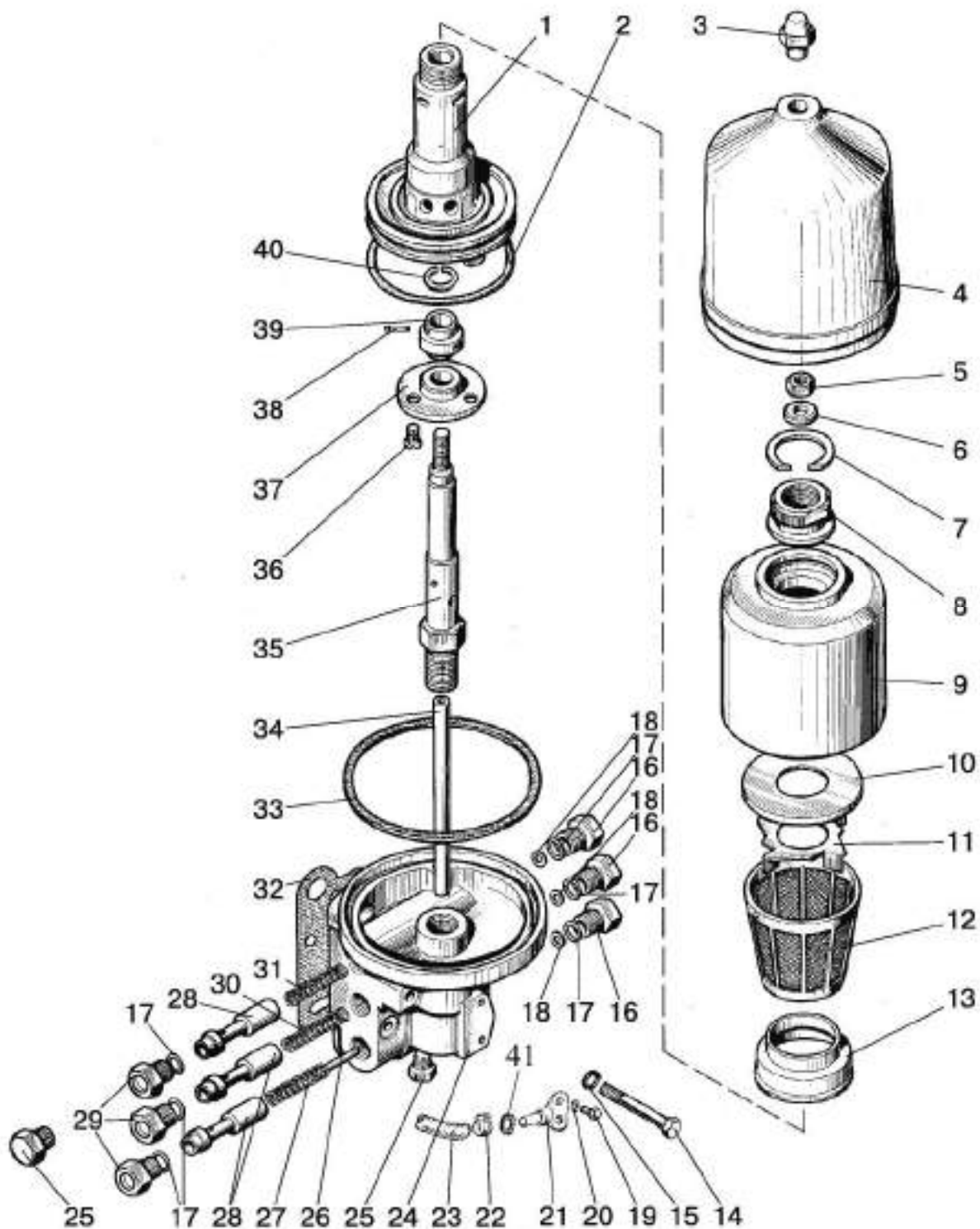


Fig. 17.17. Distribution filter

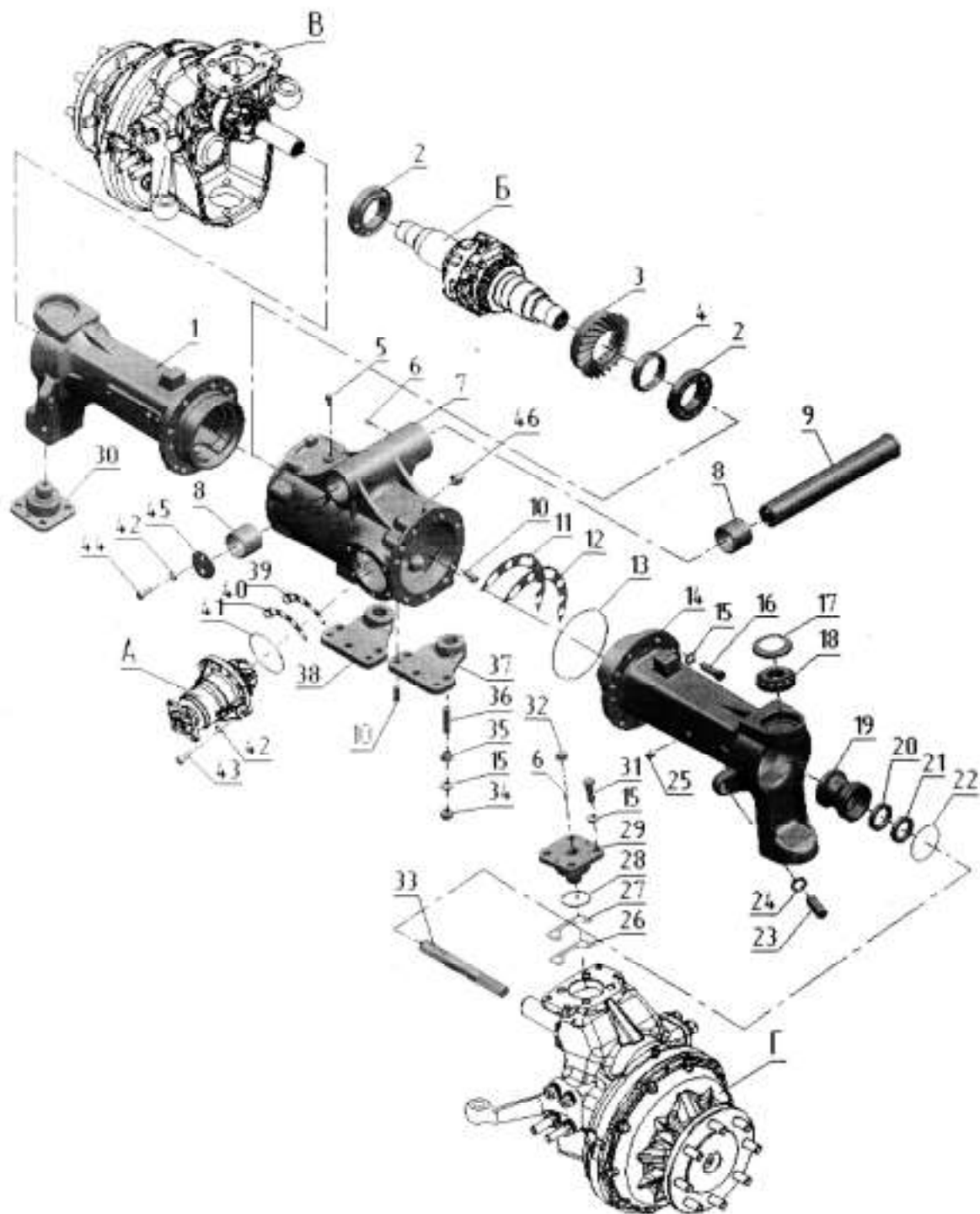


Fig. 23.1. Front driving axle

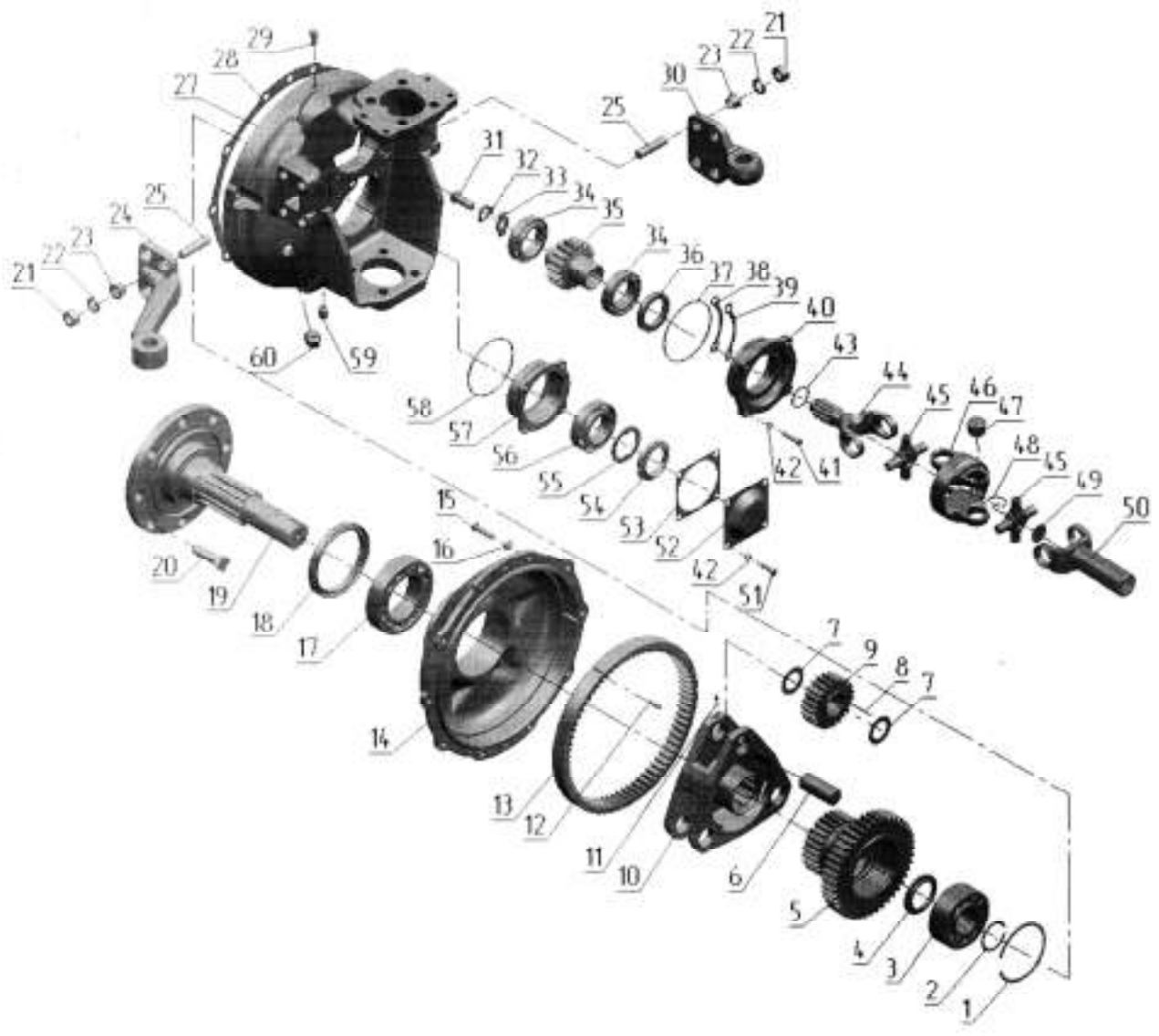


Fig. 23.4 Wheel-hub drive

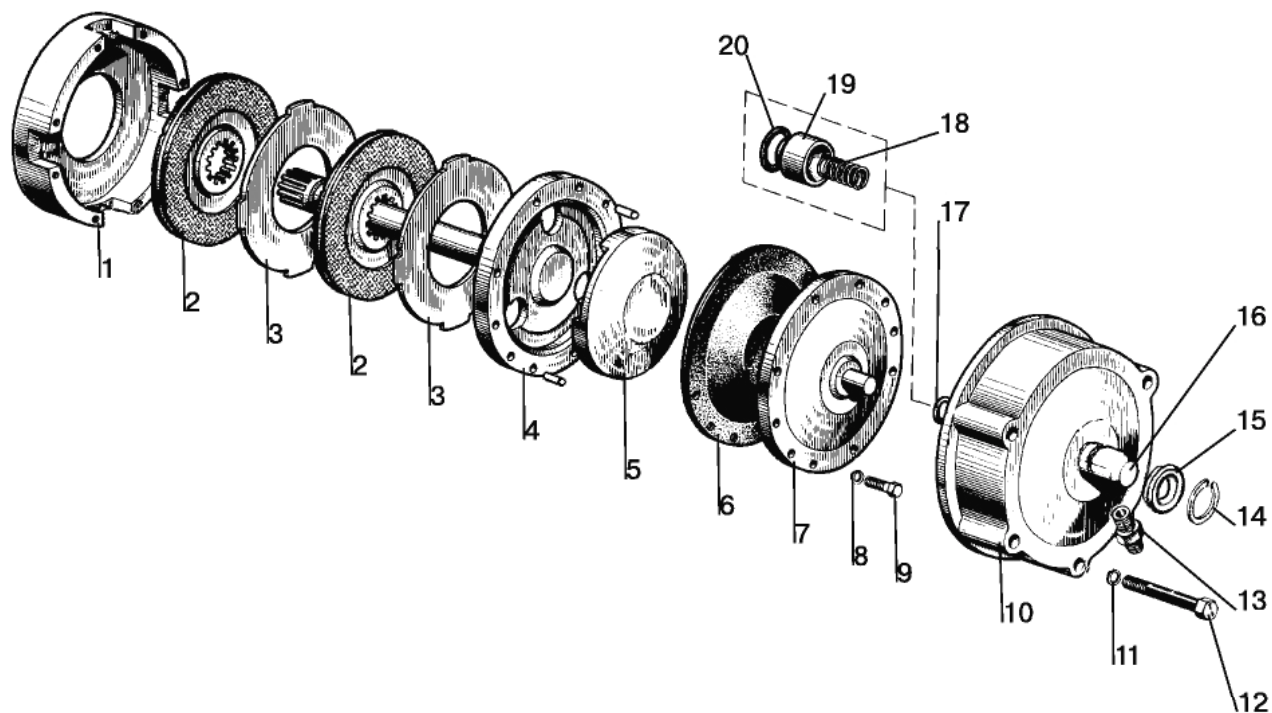


Fig. 24.3. Differential locking mechanism

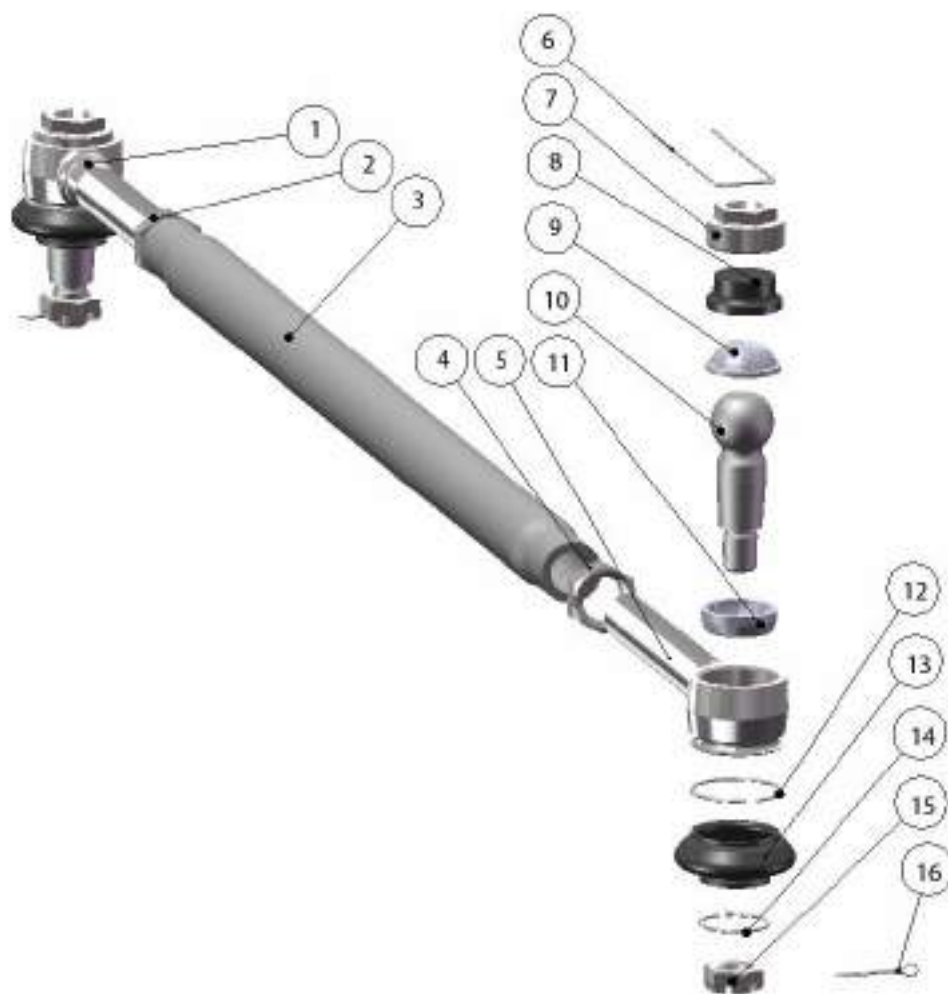


Fig. 30.1. Steering links

Subgroup 3407. Hydrostatic steering control

Fig.No	Pos.No	Assembly unit or part number	Q-ty	Name
34.2 34.2a		1221ДЦ-3400010	1	Steering control
	2	1221ДЦ-3407020	1	Elbow
	3	1221ДЦ-3407040	1	Oil pipeline
	4	1221ДЦ-3407050	1	Oil pipeline
	5	1221ДЦ-3407060	1	Oil pipeline
	6	1221ДЦ-3407200	1	Tank
	7	1221-3407010-Б	1	Three-way pipe
	8	1221-3407010-Б-01	1	Three-way pipe
	9	1221-3407140-A-01	1	Valve
	10	1522В-3407100-03	1	High pressure hose Ø12,5x2 armoured (L=1200 mm)
	11	923-3407080	1	Oil pipeline
	12	952-3407100	1	High pressure hose Ø8x1 armoured (L=750 mm)
	13	952-3407100-02	1	High pressure hose Ø8x1 armoured (L=690 mm)
	14	952-3407100-12	2	High pressure hose Ø8x1 armoured (L=485 mm)
	15	680-4607140-14	1	High pressure hose Ø10x1 armoured (L=1000 mm)
	16	680-4607510	1	Tube
	17	П100-4607140-05	1	High pressure hose Ø10x1 armoured (L=850 mm)
	18	Ц50-3405215-A	2	Hydraulic cylinder
	21	1221ДЦ-3407012	1	Bracket
	22	2022ДЦ-3407023	1	Union body
	23	1523Д-3407034	1	Union body
	24	2022-3407202	2	Adapter
	25	1522-3407016	1	Union body
	26	1321-3407015	1	Washer
	27	1321-3407018-01	1	Hose (L=420 mm)
	28	952-3407014-09	1	Hose (L=350 mm)
	29	102-3405103	4	Pin
	30	85-3407105	1	Bolt
	31	85-3407105-01	1	Bolt
	32	85-3407105-03	1	Bolt
	33	Φ80-3405102-В	4	Bushing
	34	Φ80-3405103	4	Lock washer
	35	Φ80-3405107	8	Spherical bushing
	36	Φ80-3405108	8	Seal cup
	37	Φ80-3405109	8	Hinge seal
	38	Φ80-3405112	2	Reducing sleeve
	39	Φ80-3407114	8	Washer
	40	Φ80-3407157	6	Washer
	41	Φ80-3407201	2	Bolt
	42	Φ80-3407301	4	Bolt
	43	80-3723045-01	1	Collar
	44	70-3407146	4	Plate
	45	70-3506027	6	Bushing
	46	70-4605316	4	Nut
	47	530-4614029	1	Elbow
	48	40-4607033-A-01	2	Washer
	49	70-3407144	1	Plate

Group 34. Steering control

Subgroup 3407. Hydrostatic steering control

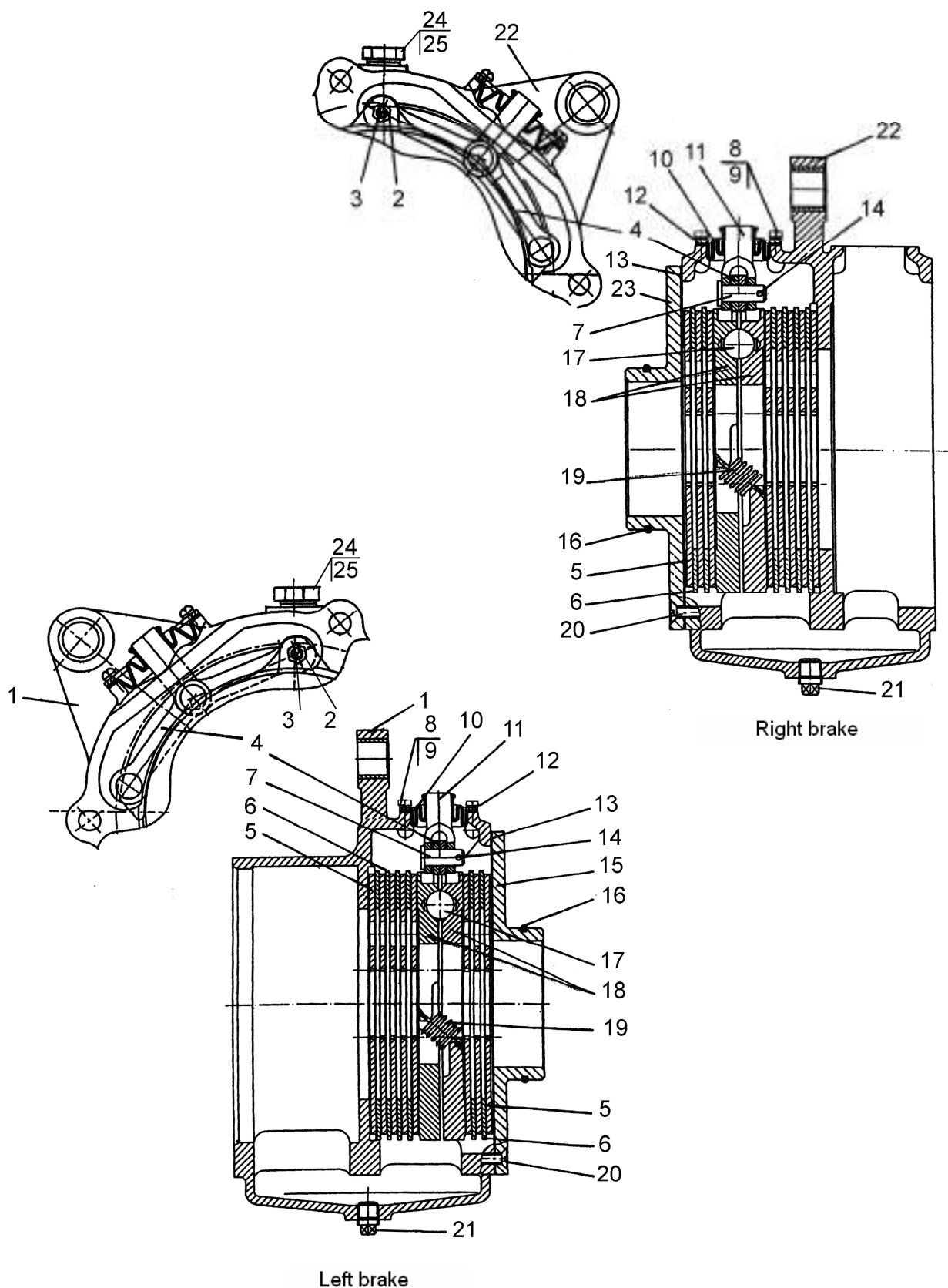


Fig. 35.3. Wet brakes

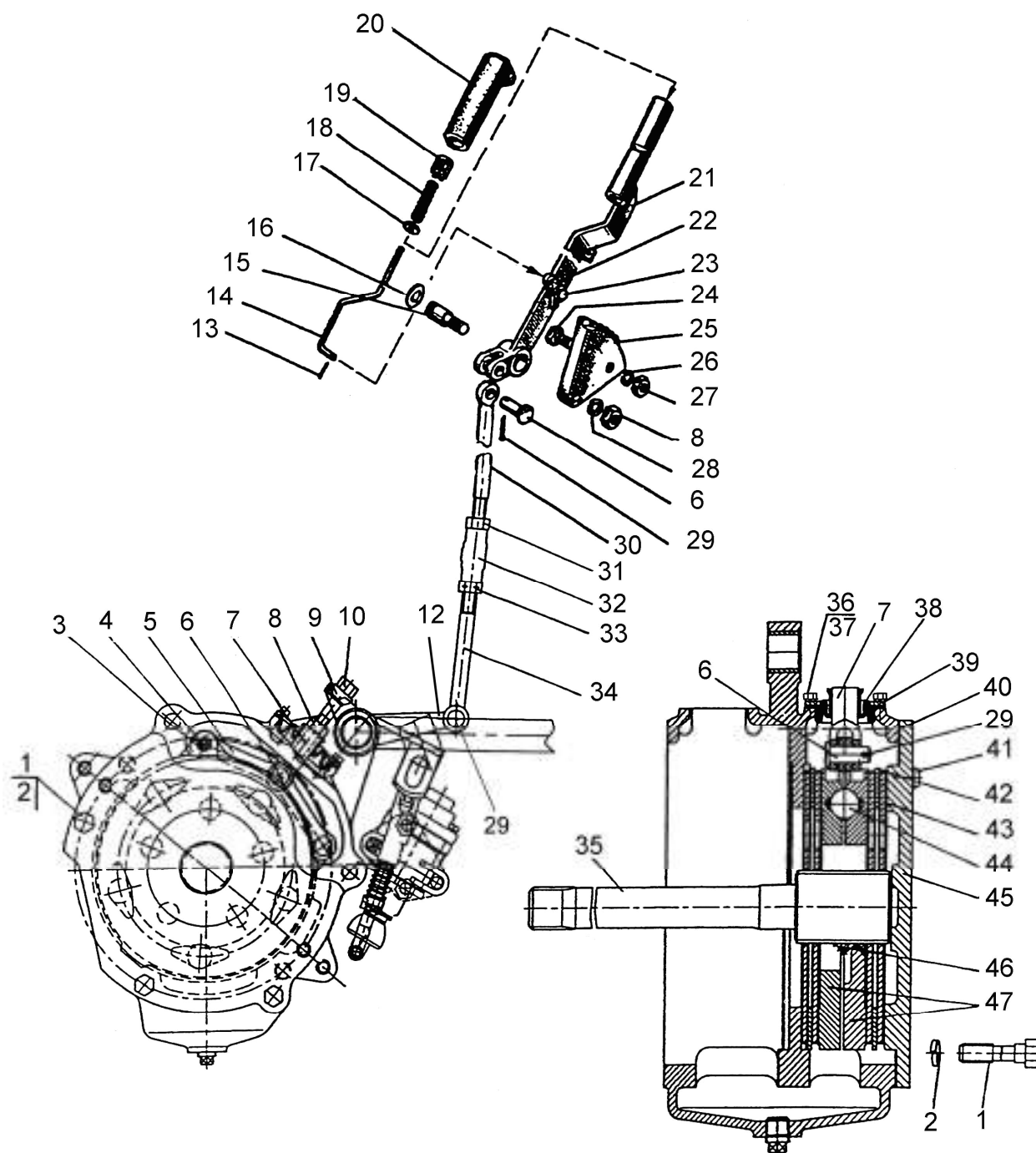


Fig. 35.6. Parking and emergency brake. Parking and emergency brake control (for wet brakes)

CLICK HERE TO **DOWNLOAD** THE COMPLETE MANUAL

- Thank you very much for reading the preview of the manual.
- You can download the complete manual from: www.heydownloads.com by clicking the link below



- Please note: If there is no response to CLICKING the link, please download this PDF first and then click on it.

CLICK HERE TO **DOWNLOAD** THE COMPLETE MANUAL

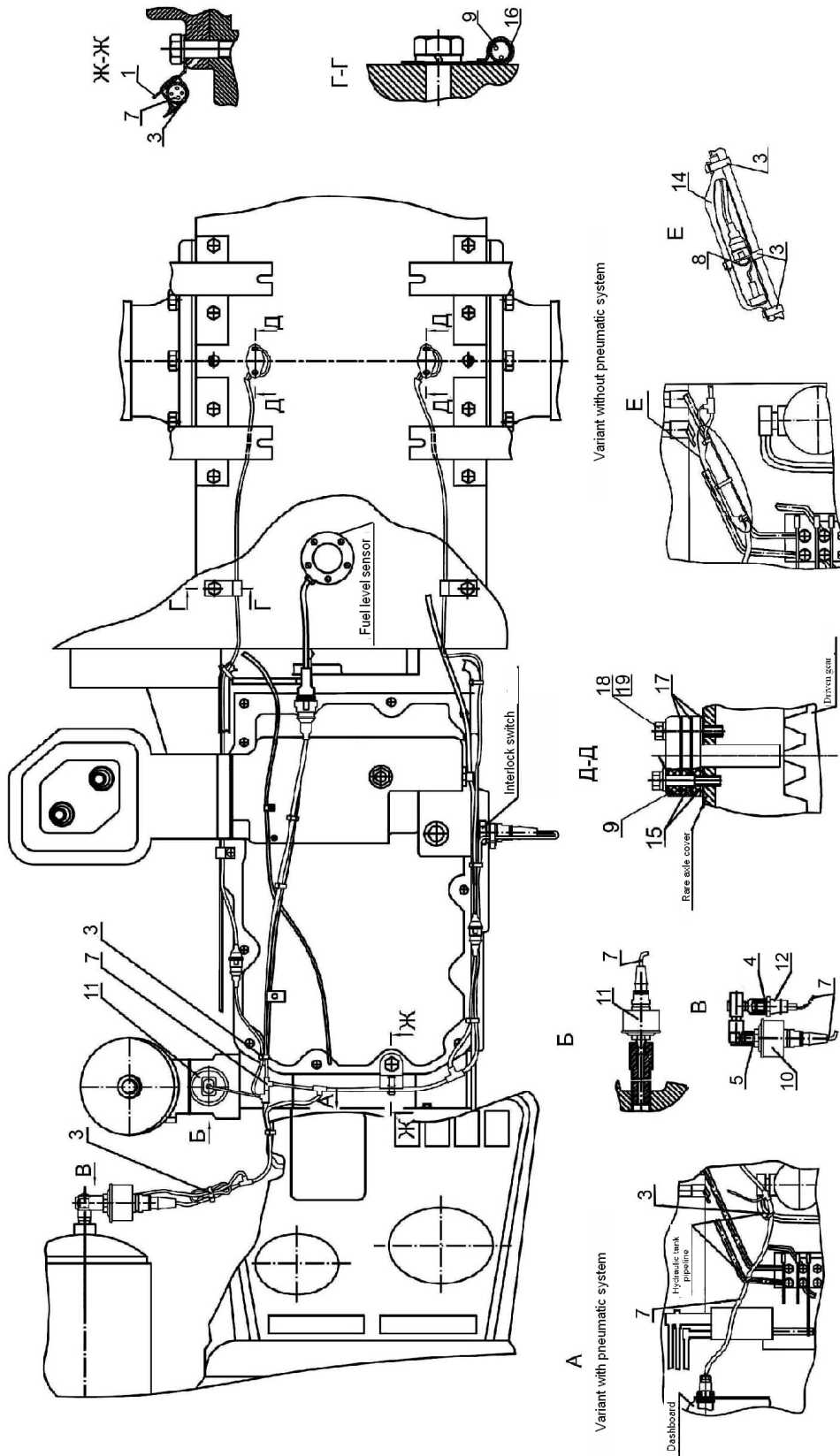


Fig. 37.2 Electrical equipment of transmission

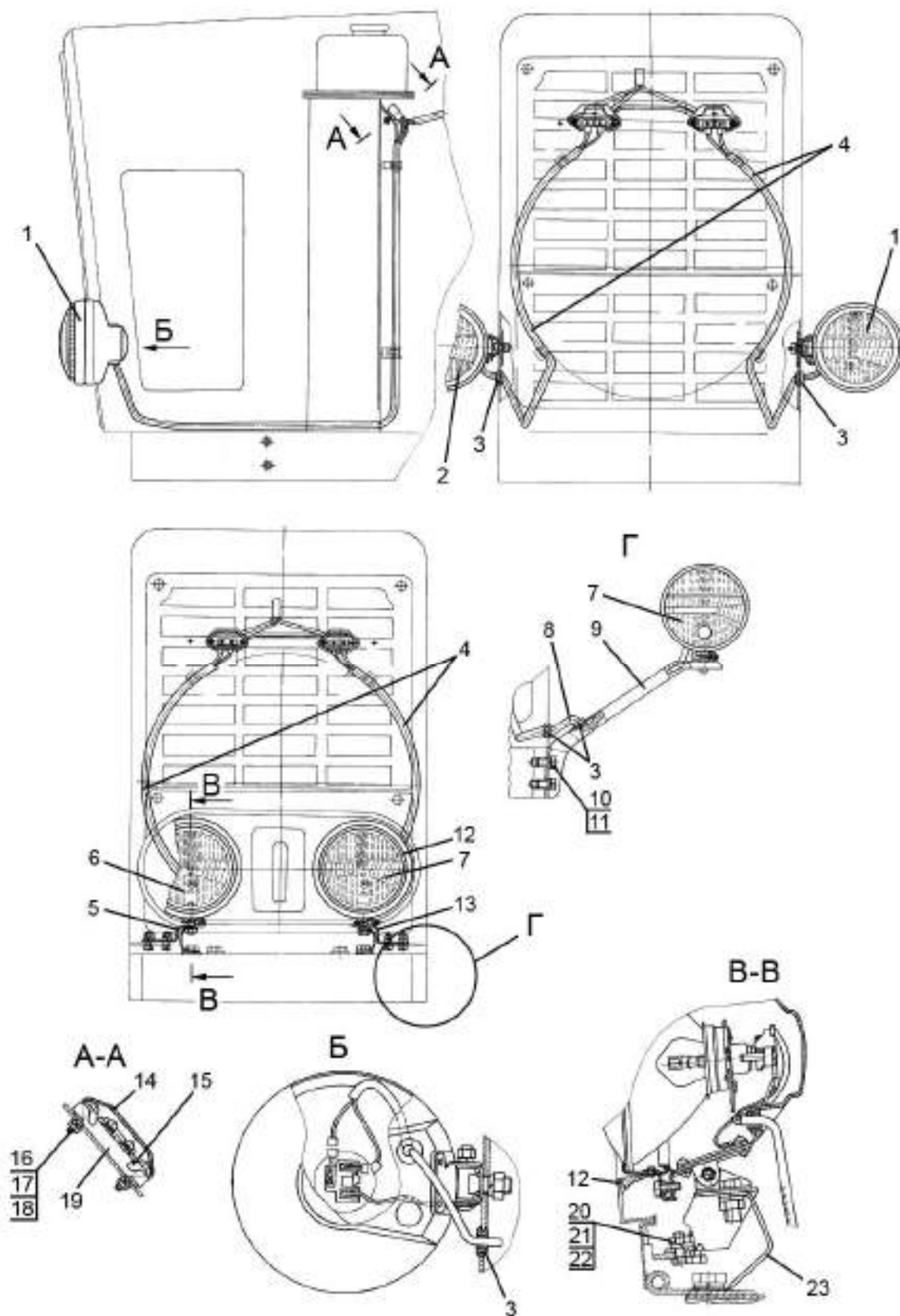


Fig. 37.7 Head lamps installation

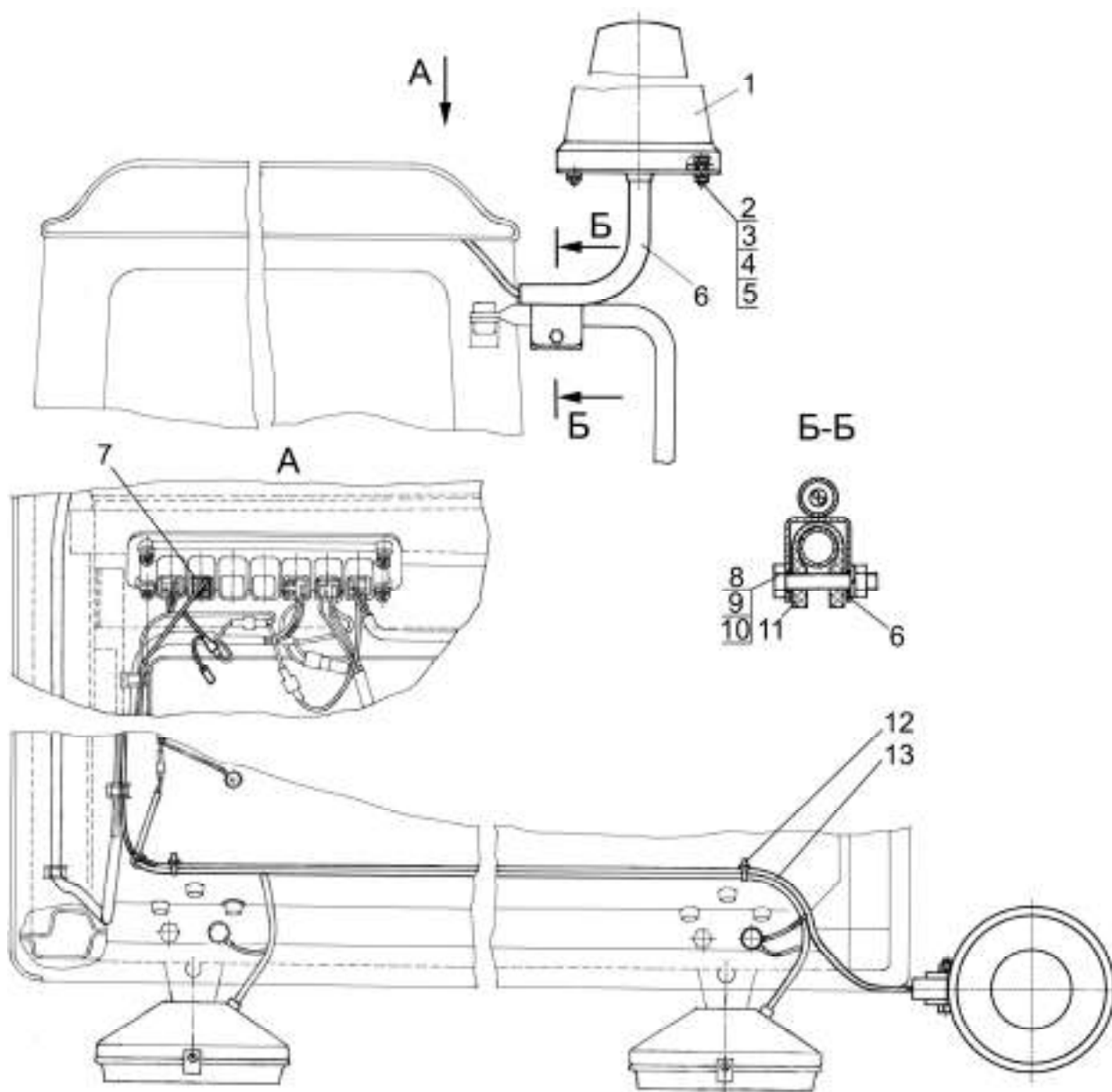


Fig. 37.12. Beacon installation

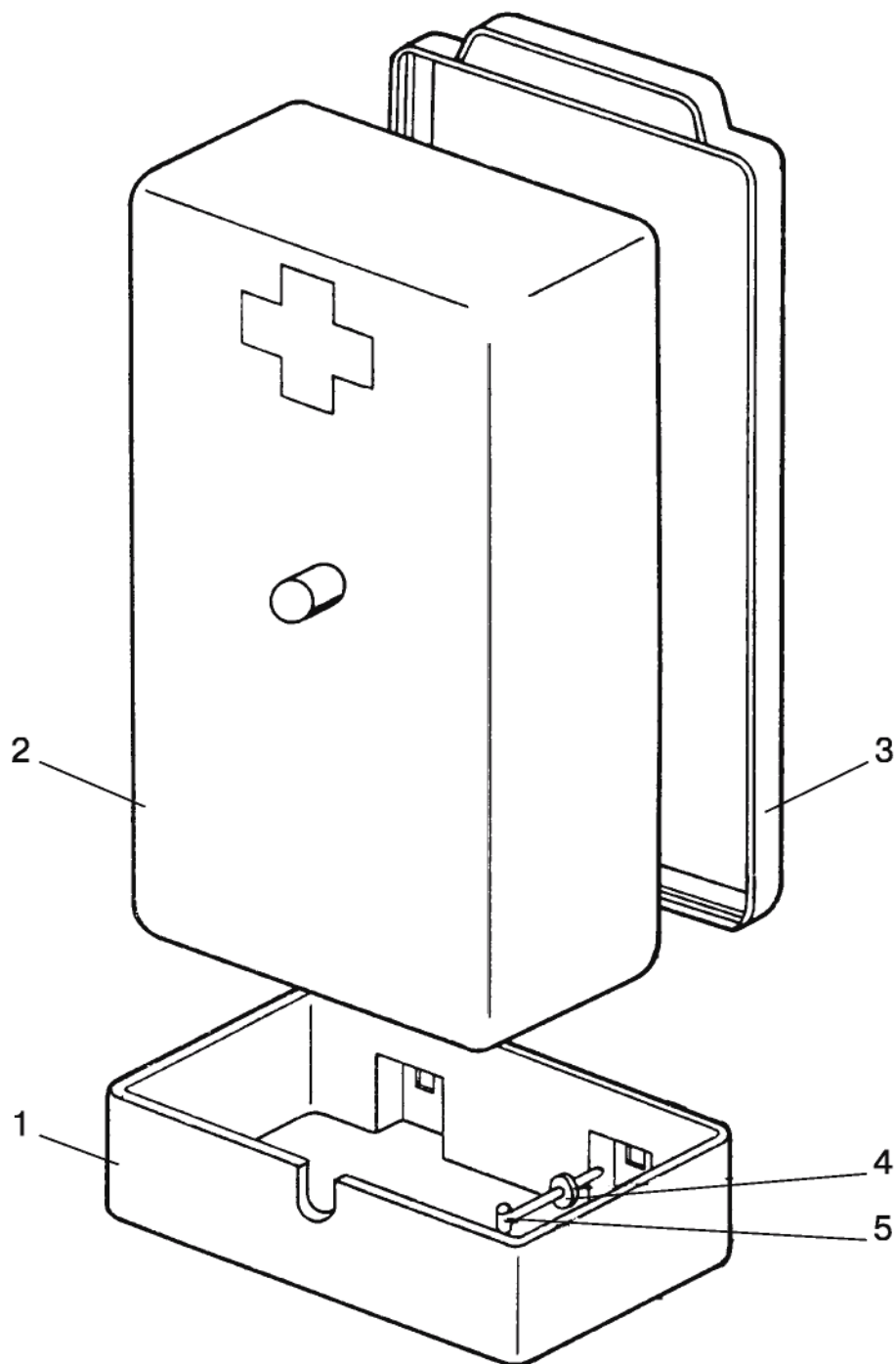


Fig. 39.2. First aid kit

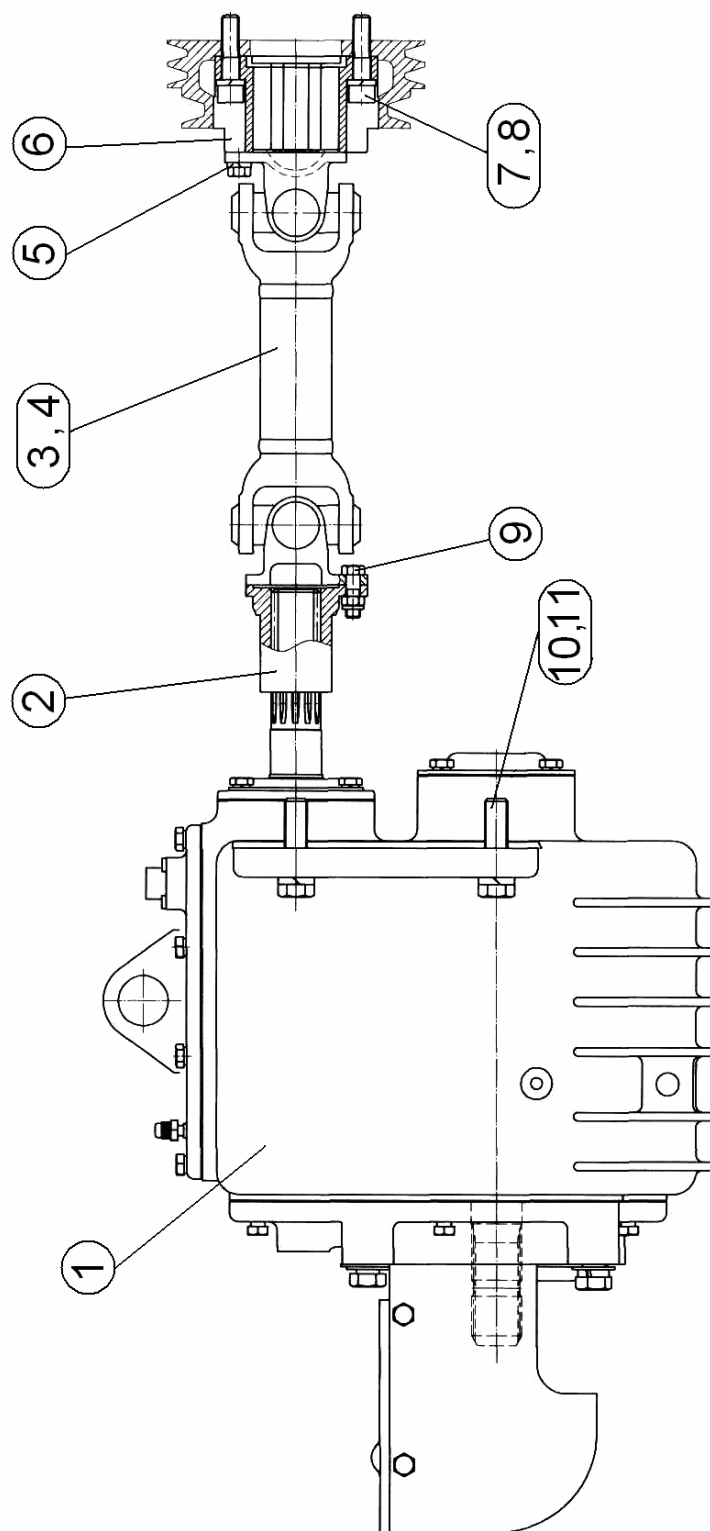


Fig. 42.3. Front PTO shaft

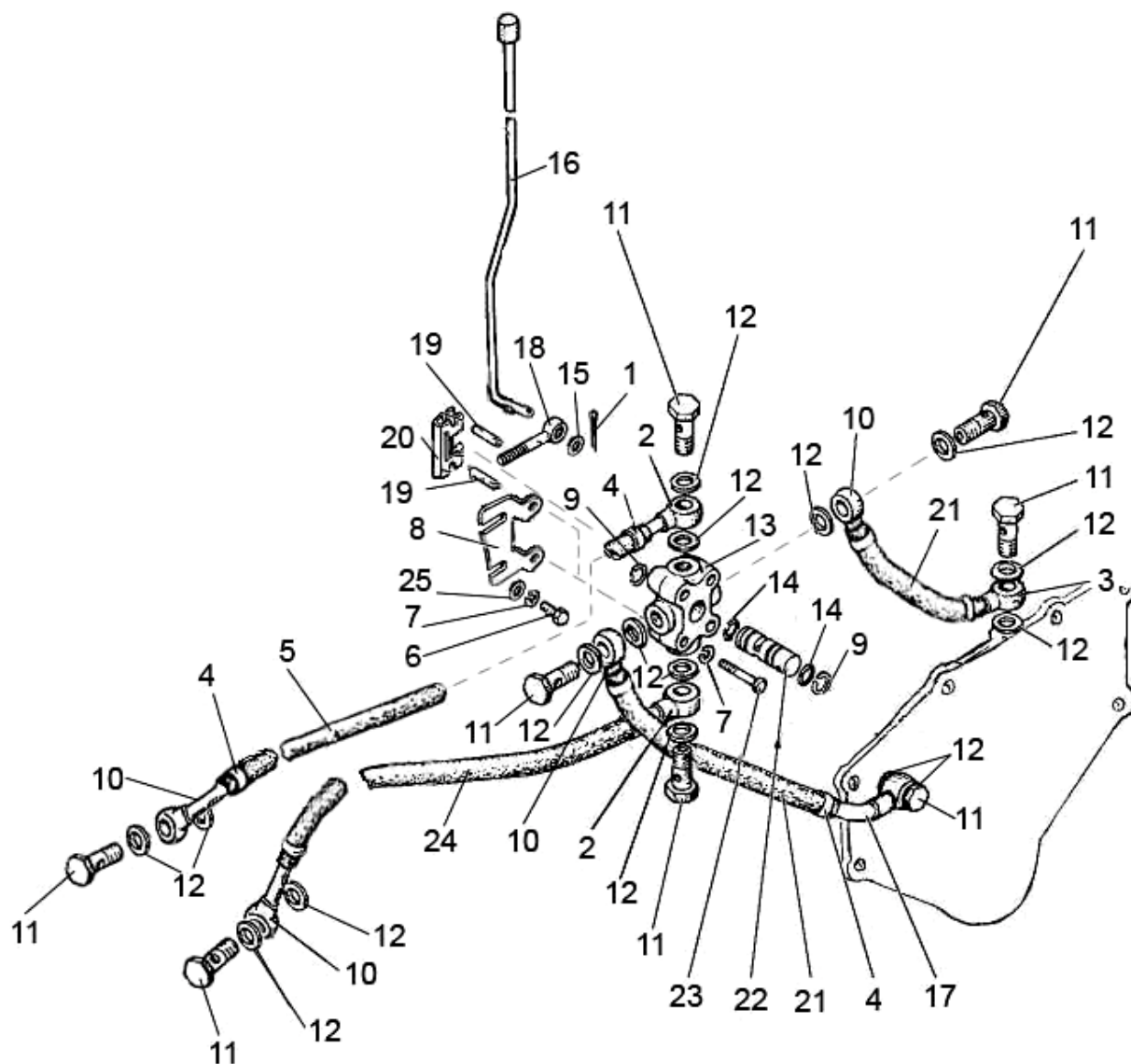


Fig. 42.7. Rear PTO shaft control (for wet brakes)

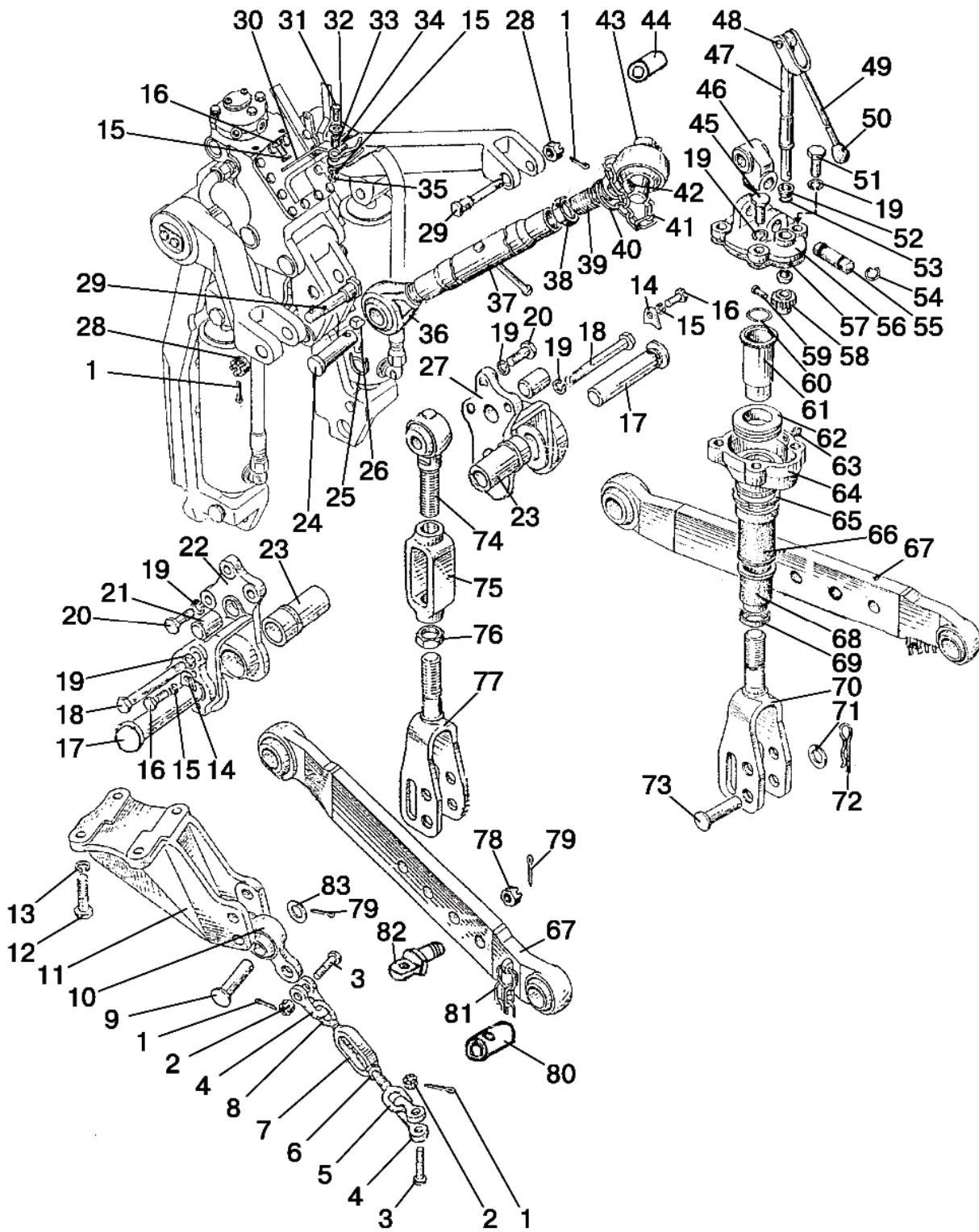


Fig. 46.2. Hydraulically operated lift linkage

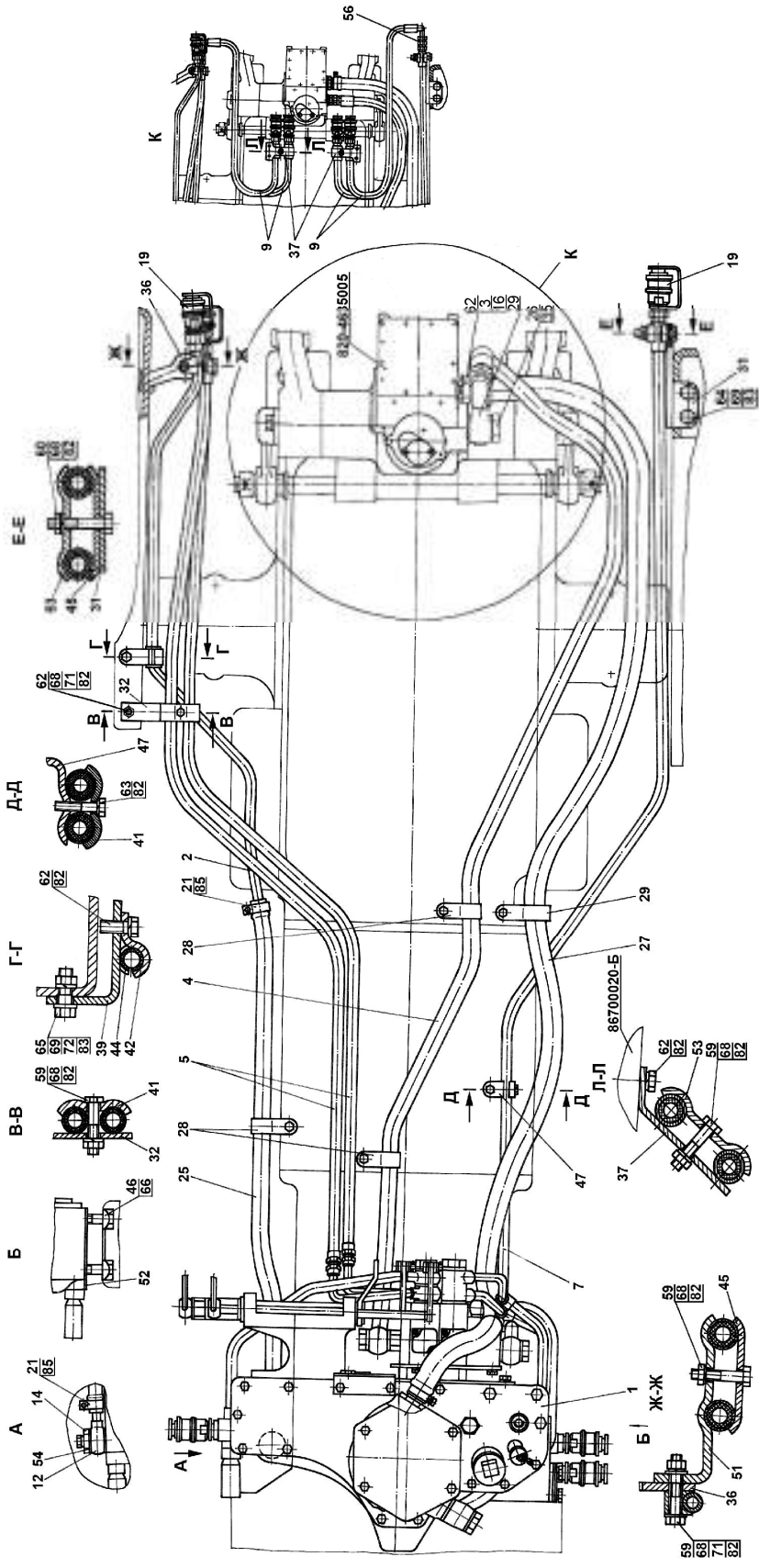


Fig. 46.7a. Hydraulic units and fittings

**Group 46. Hydraulic system
Subgroup 4607. Hydraulic system P1221-4600010**

Fig.No	Pos.No	Designation	Q-ty	Name
46.7B		P1221-4600010	1	Hydraulic system
	46.7r			
	1	P1221-4600015	1	Hydraulic system housing
	3	85-4607034	1	Union body
	4	3022-4607120	1	Three-way pipe
	5	K1221-4607125	1	Pipe
	7	952-4607140-04	1	High pressure hose ϕ 16x2 armoured
	8	C80-4607380	1	Pipe
	10	80-4607455	1	Bolt
	12	M036.50Б.10 or HP10-3MX0041A0	3	Left housing Coupling
	13	П100-4607140-01	2	High pressure hose ϕ 10x1 armoured
	15		2	Clamp XC-21 or "NORMA" TORRO 16-25/9-C6W
	16		2	Clamp XC-31 or "NORMA" TORRO 25-40/9-C6W
	17	ϕ 80-3407720	1	Oil pipeline
	18	K1221-4607011	1	Hose
	20	П80-4607012	1	Hose
	21	П80-4607013	1	Clamp
	22	П80-4607013-01	2	Clamp
	25	Д18-051	3	Bolt
	26	40-4607037	1	Bolt
	27	M80-4607017	2	Bracket
	29	P1221-4607070	1	Union body
	30	85-4607431	1	Bracket
	31	70-4607156	1	Plate
	32	70-4607168	2	Plate
	34	H50-4607137	1	Bracket
	35	40-4607033-A or PM 24	2	Washer
	36	50-4608049	1	Gasket
	37	40-4607029-A	3	Plate
	38	40-4607038-A or PM 1/2	2	Washer
	40	70-1405112	1	Clamp
	41	70-3407146	1	Plate
	43	70-3506027	1	Bushing
	44	80-3723045-01	4	Collar
	48		1	Bolt M8-6gx45.88.35.019 GOST 7795-70
	51		2	Bolt M8-6gx35.88.35.019 GOST 7796-70
	55		1	Bolt M12-6gx30.88.35.019 GOST 7796-70
	56		4	Bolt M14x1,5-6gx45.88.35.019 GOST 7796-70
	62		1	Ring 027-032-30-1-4 GOST 18829-73/9833-73
	64		1	Washer C 8.01.019 GOST 11371-78
	68		1	Washer 10 OT OST 37.001.115-75
		M036.50Б.20 or HP10-4MX0041A0 or	6	Right housing Attaching plug
				} (packed into SPTA kit)

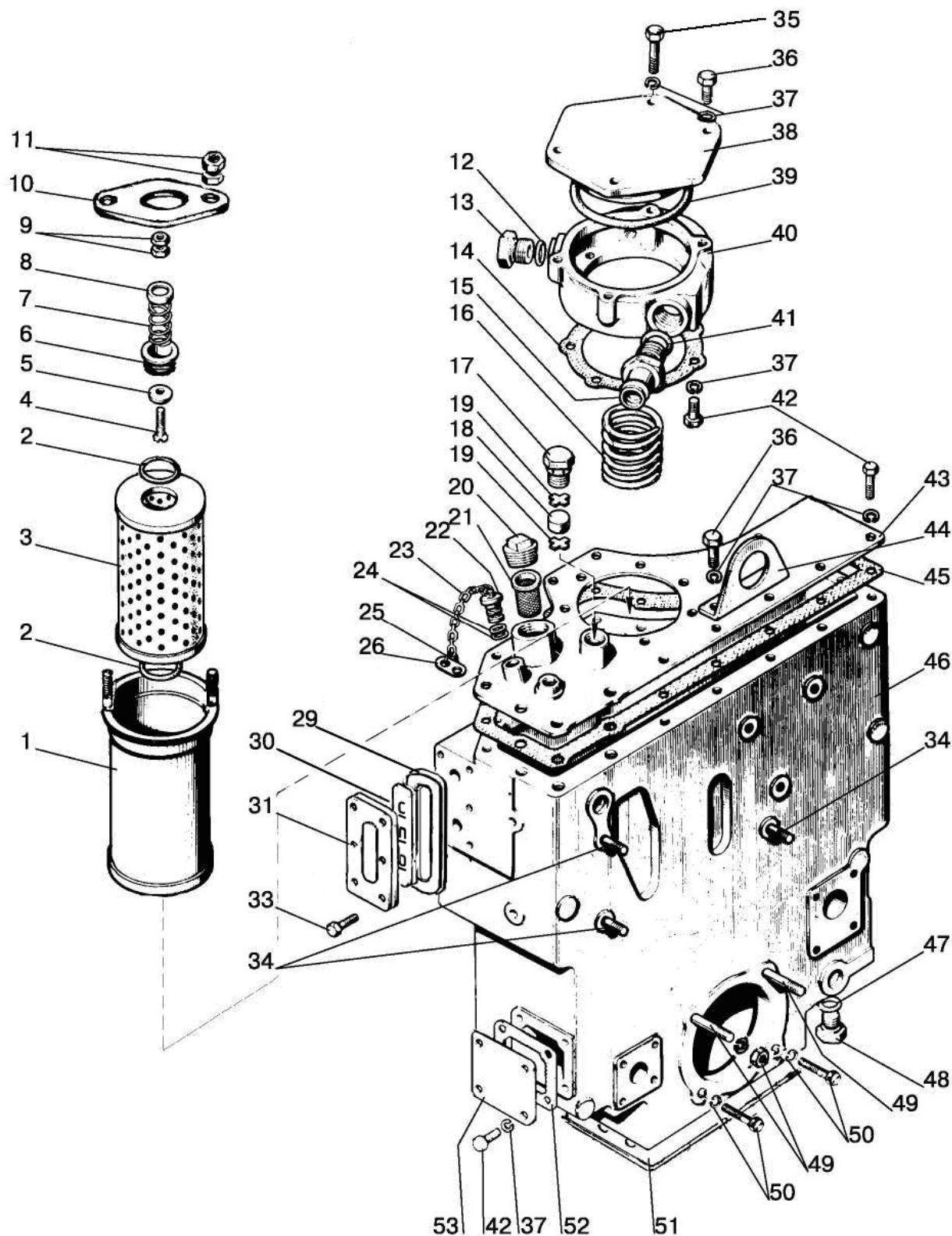


Fig. 46.9. Housing and filter of hydraulic system

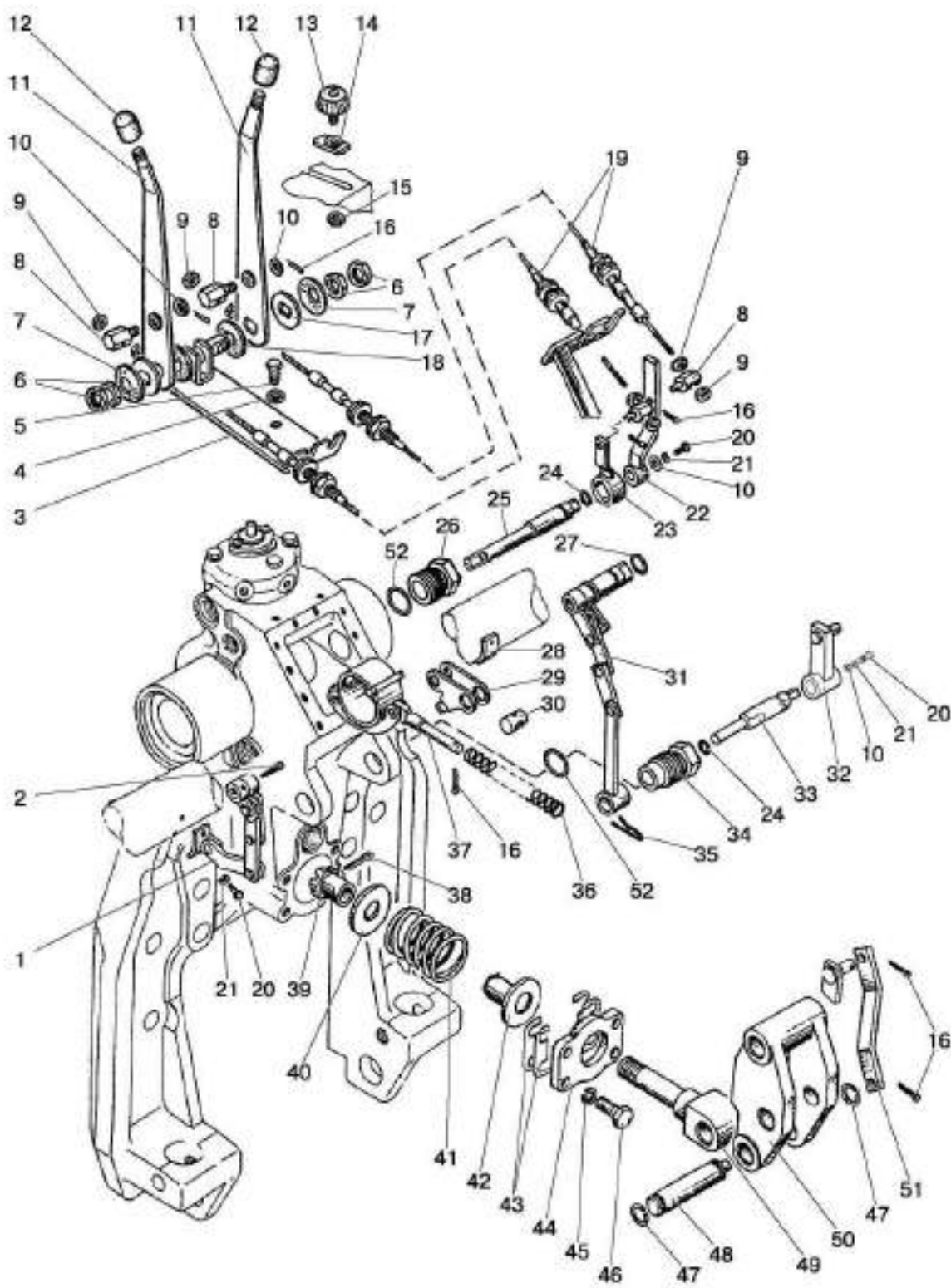


Fig. 46.13. Hydraulic hoist control

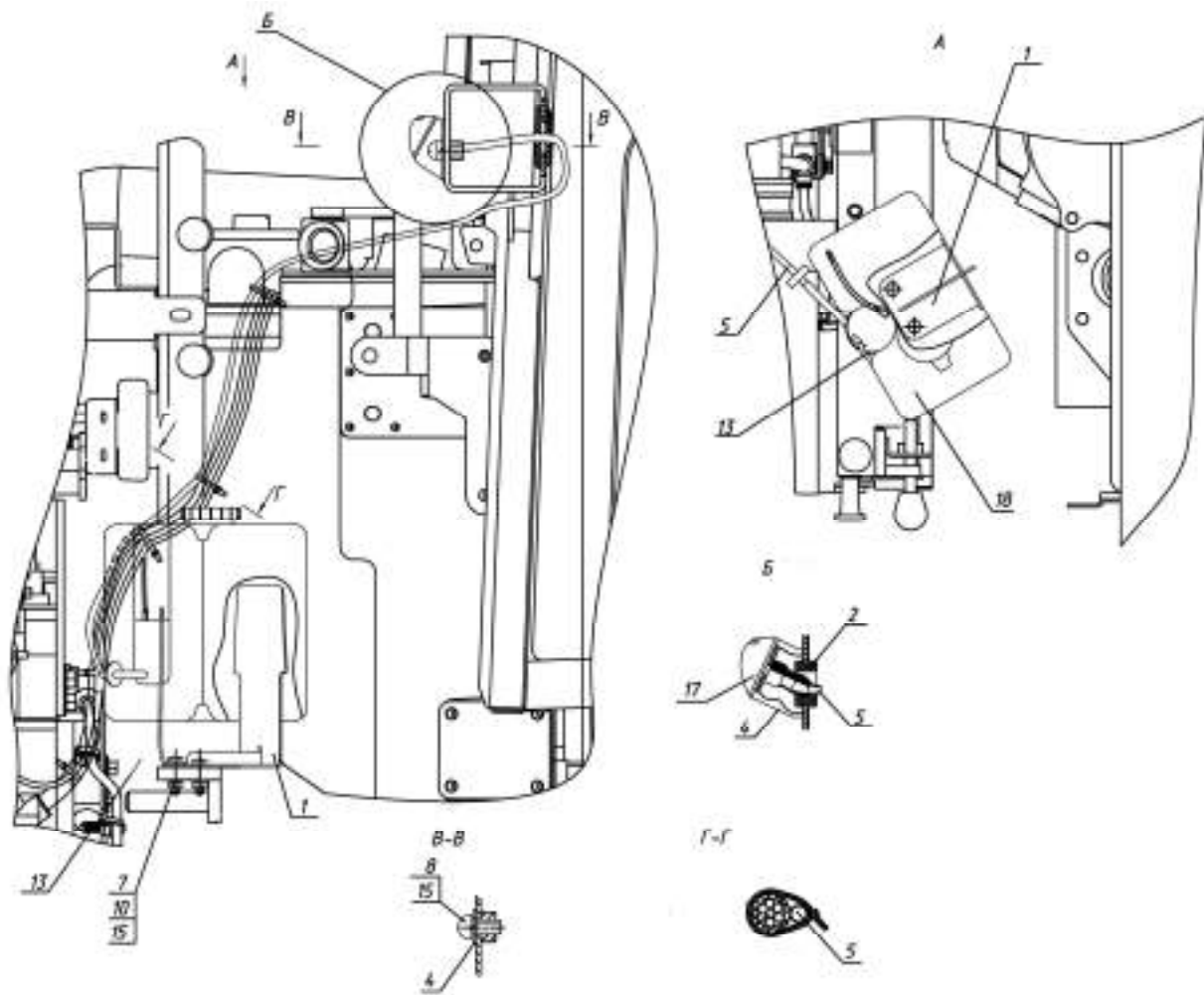


Fig. 52.3 Screen washer installation

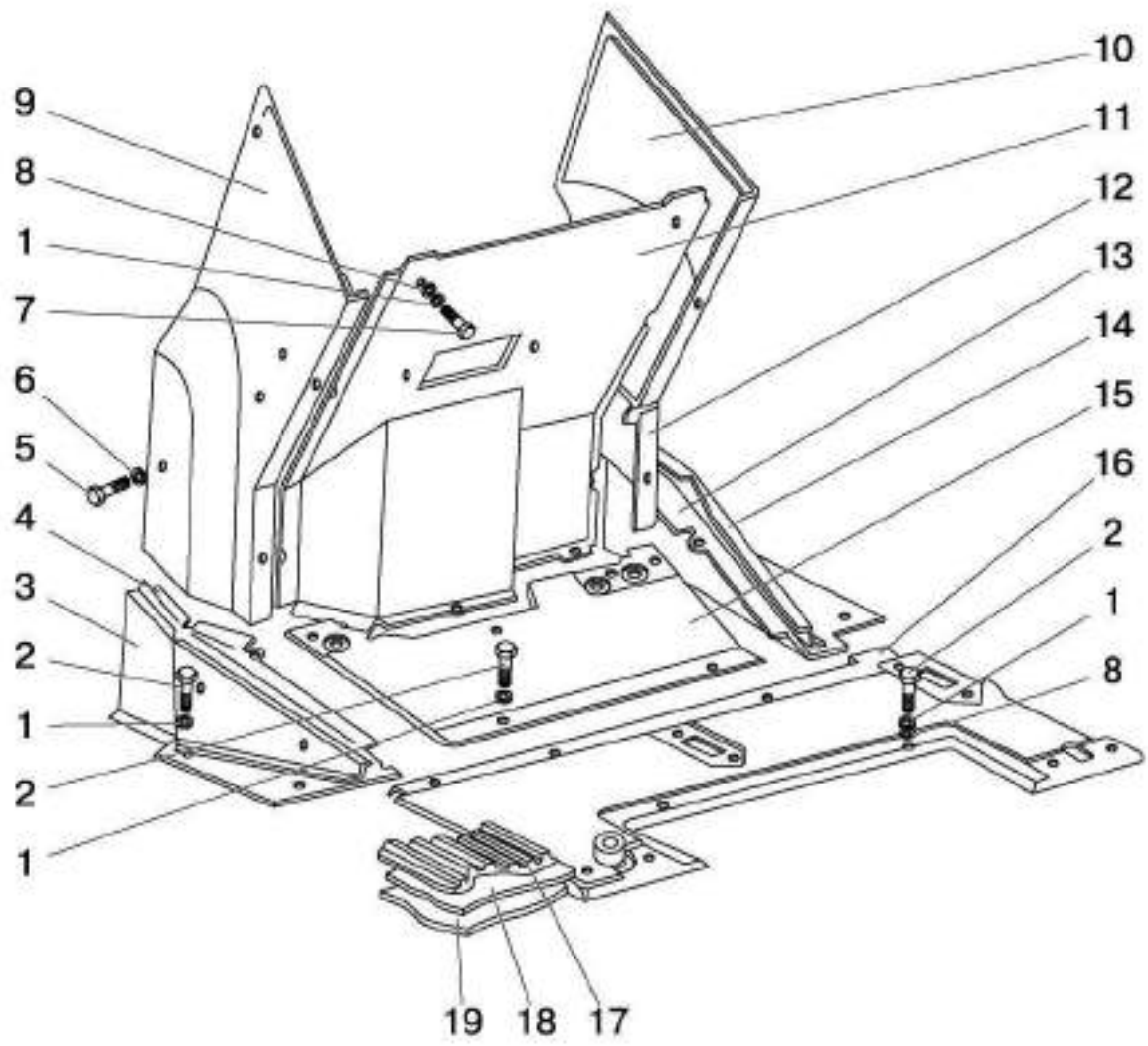


Fig. 67.3. Panels

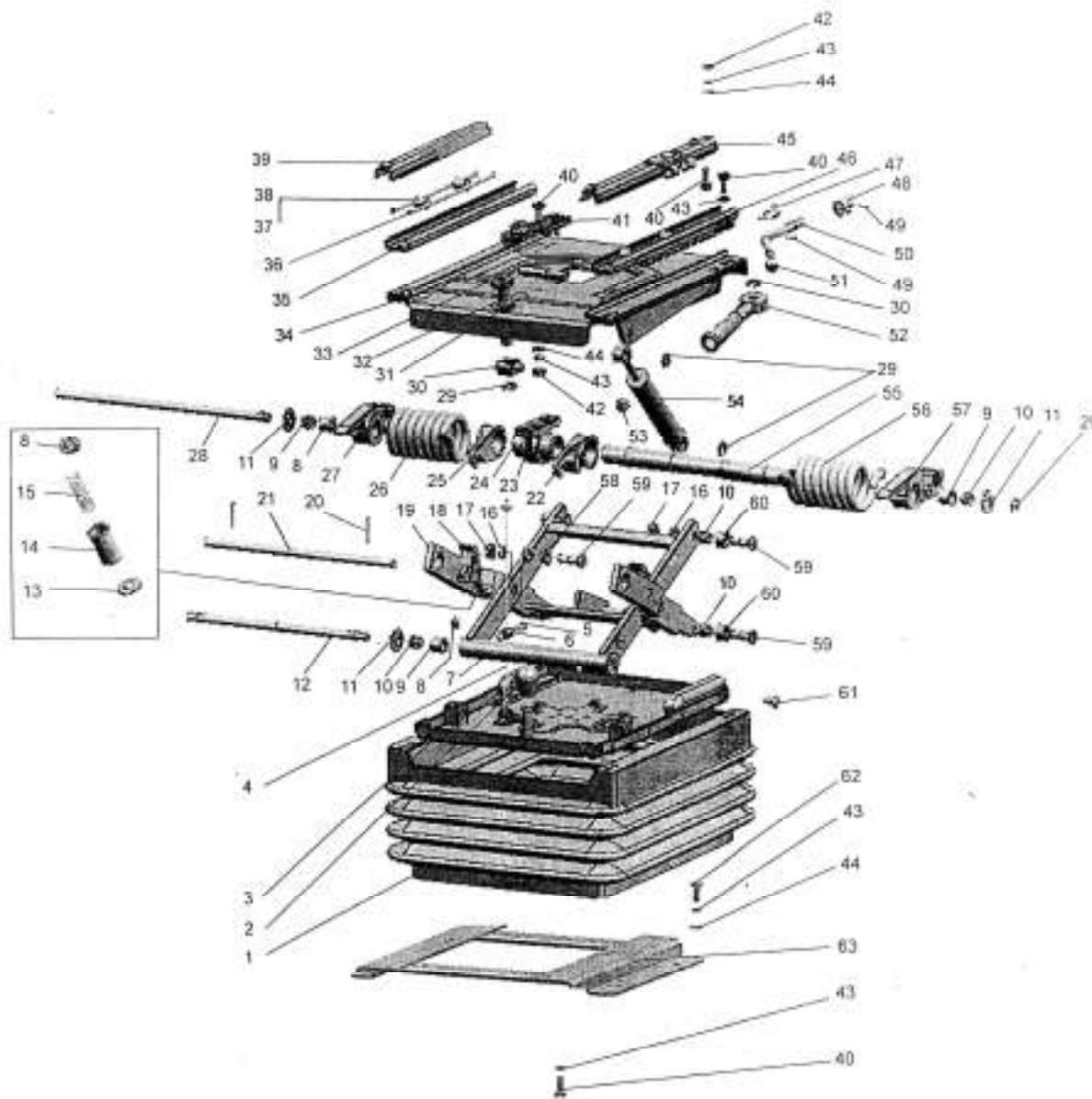


Fig. 68.3 Seat suspension

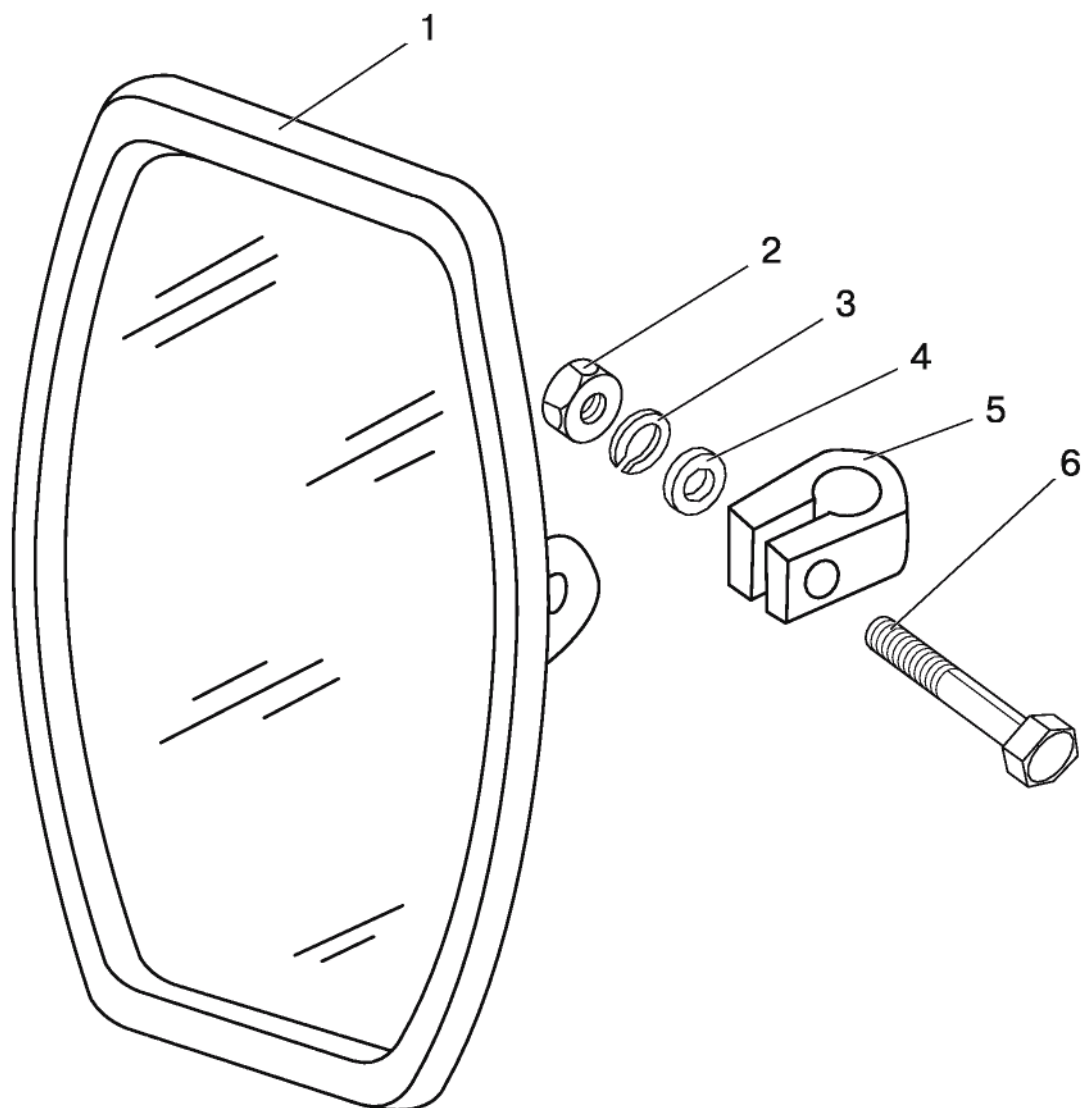


Fig. 82.2. Side rear-view mirror

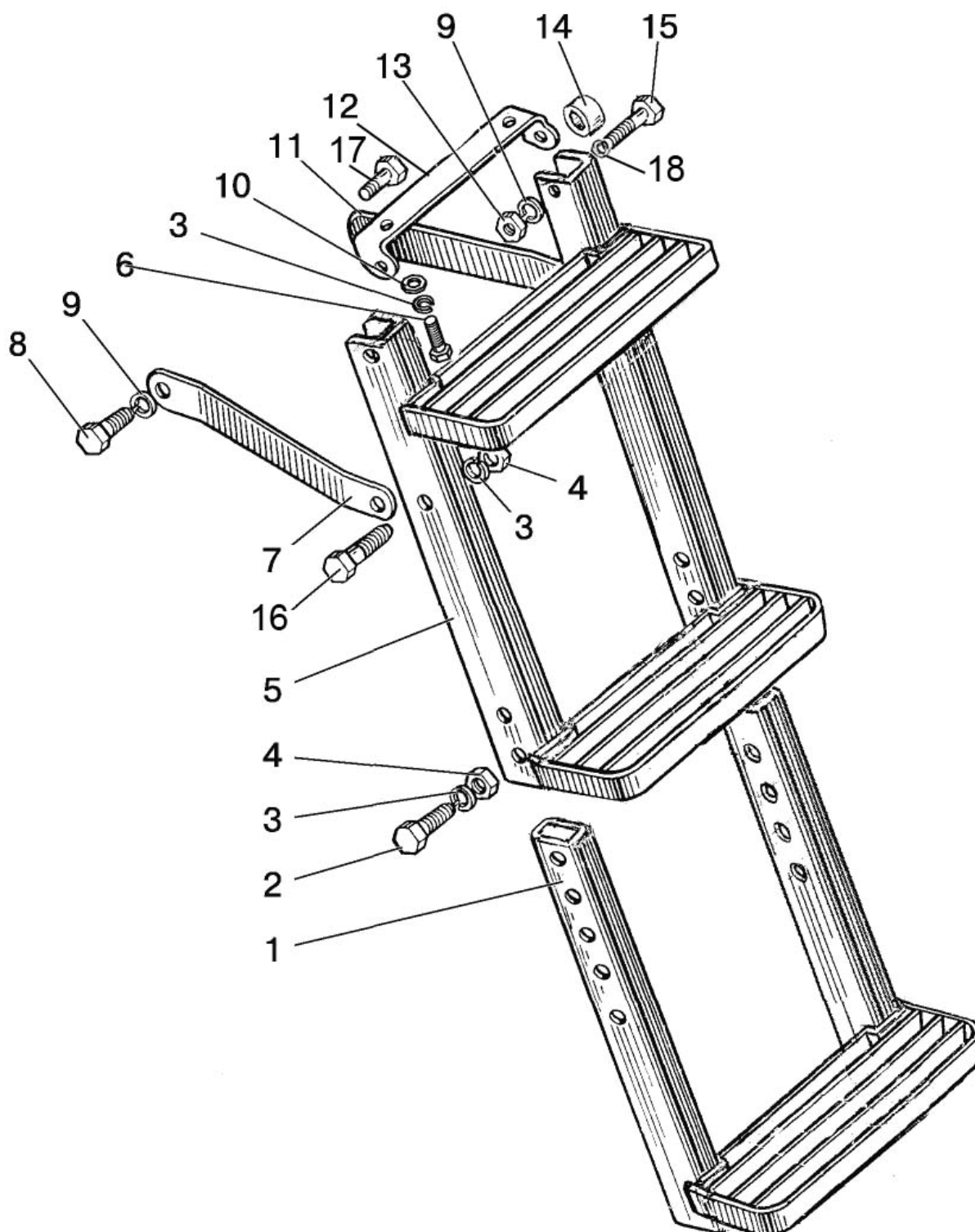


Fig. 84.3 Foot step

CLICK HERE TO **DOWNLOAD** THE COMPLETE MANUAL

- Thank you very much for reading the preview of the manual.
- You can download the complete manual from: www.heydownloads.com by clicking the link below



- Please note: If there is no response to CLICKING the link, please download this PDF first and then click on it.

CLICK HERE TO **DOWNLOAD** THE COMPLETE MANUAL