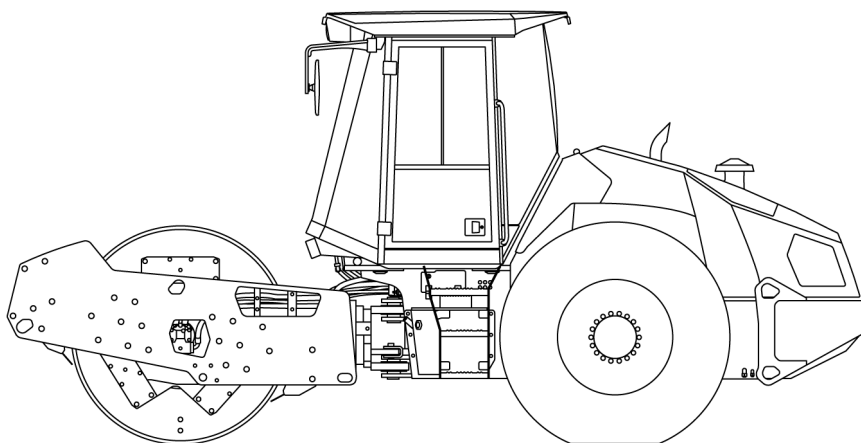


ARS 110

SINGLE DRUM ROLLER
WALZENZUG
MONOBILLE

DEUTZ TCD3.6 L4
EU STAGE IV / U.S. EPA Tier 4f



SPARE PARTS CATALOGUE ERSATZTEILKATALOG CATALOGUE DE PIÈCES DÉTACHÉES

Edition 04/2020 ML
From Serial No. 2363093

AMMANN

CLICK HERE TO **DOWNLOAD** THE COMPLETE MANUAL

- Thank you very much for reading the preview of the manual.
- You can download the complete manual from: www.heydownloads.com by clicking the link below



- Please note: If there is no response to CLICKING the link, please download this PDF first and then click on it.

CLICK HERE TO **DOWNLOAD** THE COMPLETE MANUAL

	Description	Bezeichnung	Designation
005	ARS110 05 Hydraulic	ARS110 05 Hydraulik	ARS110 05 Hydraulique
005-300	Driving hydraulics part A	Fahrhydraulik Teil A	Hydraulique de propulsion partie A
005-300	Driving hydraulics part B	Fahrhydraulik Teil B	Hydraulique de propulsion partie B
005-310	Drum hydraulics D	Bandagenhydraulik D	Hydraulique de bille D
005-312	Drum hydraulics HX	Bandagenhydraulik HX	Hydraulique de bille HX
005-320	Vibration hydraulics	Vibrationshydraulik	Hydraulique de vibration
005-330	Blocking hydraulics	Sperrhydraulik	Hydraulique de verrouillage
005-335	Blocking hydraulics RTM	Sperrhydraulik RTM	Hydraulique de verrouillage RTM
005-350	Pump hydraulics	Pumpenhydraulik	Hydraulique de pompes
005-360	Hydraulic oil tank	Hydrauliköltank	Réservoir d'huile hydraulique
005-364	Steering hydraulics	Lenkhydraulik	Hydraulique de direction
005-364-009	Valve block	Ventilblock	Bloc de soupapes
005-370	Cooling hydraulics	Kühlhydraulik	Hydraulique de refroidissement
005-370-001	Cube downspout	Würfel Fallrohr	Cube seducement
005-375	Steer cylinder	Lenkzylinder	Vérin de direction
005-381	Lifting hydraulics	Hebehhydraulik	Hydraulique de levage
005-381-001	Fluid motor	Hydraulikmotor	Moteur hydraulique
005-390	Measuring place under the cab	Messen unter der Kabine	Mesurer lieu sous la cabine
005-391	Measuring point	Messstelle	Point de mesure
006	ARS110 06 Electrical installation	ARS110 06 Elektroinstallation	ARS110 06 Installation électrique
006-404	Electrical installation part A	Elektroinstallation Teil A	Installation électrique partie A
006-404	Electrical installation part B	Elektroinstallation Teil B	Installation électrique partie B
006-404	Electrical installation part C	Elektroinstallation Teil C	Installation électrique partie C
006-409	Platform wiring	Elektroinstallation auf der Maschinenbühne	Installation électrique de la passerelle
006-409-002	Armrest right	Armlehne rechts	Accoudoir droit
006-409-004	Switch cabinet	Schaltschrank	Armoire électrique
006-410	Cab wiring	Elektroinstallation Kabine	Installation électrique de la cabine
006-410	Cab wiring	Elektroinstallation Kabine	Installation électrique de la cabine
006-412	Platform wiring	Elektroinstallation auf der Maschinenbühne	Installation électrique de la passerelle
006-412-002	Armrest right	Armlehne rechts	Accoudoir droit
006-412-003	Switch cabinet	Schaltschrank	Armoire électrique

Pos	Article	Qty.	Unit	Description	Bezeichnung	Designation	Note
0	4-39280	1	ST	Engine	Motor	Moteur	
1	4-1550303	1	ST	Diesel engine	Dieselmotor	Moteur diesel	
1.01	1529683	1	ST	Ribbed V-belt	Keilrippenriemen	Courroie trapézoïdale crantée	
1.03	1529684	1	ST	Generator	Generator	Générateur	
1.04	1416770	1	ST	Engine starter	Motorstarter	Démarrreur de moteur	
1.05	1317853	1	ST	Steering unit	Lenkeinheit	Unité de direction	
1.06	1529685	1	ST	Thermostat	Thermostat	Thermostat	
3	4-35963	1	ST	Bracket	Konsole	Console	
7	4-35922	1	ST	Bracket	Konsole	Console	
8	4-27115	1	ST	Bracket	Konsole	Console	
9	4-35923	2	ST	Washer	U-Scheibe	Rondelle	
10	4-35951	1	ST	Bracket	Konsole	Console	
11	4-35952	1	ST	Bracket	Konsole	Console	
12	4-35924	1	ST	Bracket	Konsole	Console	
13	4-35801	1	ST	Bracket	Konsole	Console	
17	4-36925	2	ST	Washer	U-Scheibe	Rondelle	
32	1317353	2	ST	Rubber mount	Gummilager	Palier caoutchouc	
34	1304855	2	ST	Intermediate piece	Zwischenstück	Pièce intermédiaire	
43	4-38160	1	ST	Flange	Flansch	Bride	
44	1510609	1	ST	Coupling	Kupplung	Accouplement	
47	1221077	2	ST	Rubber cushion	Gummipuffer	Tampon caoutchouc	
61	J906545	1	ST	Screw plug	Verschlusschraube	Vis de fermeture	
63	4-6090010410	1	ST	Sealing ring	Dichtring	Bague d'étanchéité	
90	1232283	2	ST	Hose clip	Schlauchschelle	Bride pour tuyaux	
103	4-5358050033	1	ST	Cap	Kappe	Capuchon	
105	4-15874	2	ST	Breakthrough	Durchbruch	Ouverture	
106	4-15873	1	ST	Breakthrough	Durchbruch	Ouverture	
116	4-3002508014	5	ST	Hexagon head screw	6kt-Schraube	Vis à tête hexagonale	
127	2-82304106	6	ST	Cyl head screw	Zyl-Schraube	Vis à tête cylindrique	
128	4-3001510055	10	ST	Hexagon head screw	6kt-Schraube	Vis à tête hexagonale	
129	4-3001510060	2	ST	Hexagon head screw	6kt-Schraube	Vis à tête hexagonale	
130	4-3002512030	14	ST	Hexagon head screw	6kt-Schraube	Vis à tête hexagonale	
131	4-3114312030	2	ST	Cyl head screw	Zyl-Schraube	Vis à tête cylindrique	
132	4-3002512035	7	ST	Hexagon head screw	6kt-Schraube	Vis à tête hexagonale	
133	4-3002512040	8	ST	Hexagon head screw	6kt-Schraube	Vis à tête hexagonale	
134	4-3001512065	3	ST	Hexagon head screw	6kt-Schraube	Vis à tête hexagonale	
135	4-3001512130	2	ST	Hexagon head screw	6kt-Schraube	Vis à tête hexagonale	

001-104

Pos	Article	Qty.	Unit	Description	Bezeichnung	Designation	Note
103	4-5358050033	1	ST	Cap	Kappe	Capuchon	
111	4-3002505010	4	ST	Hexagon head screw	6kt-Schraube	Vis à tête hexagonale	
118	1196354	2	ST	Hexagon head screw	6kt-Schraube	Vis à tête hexagonale	
121	4-3001508045	3	ST	Hexagon head screw	6kt-Schraube	Vis à tête hexagonale	
122	4-3001508050	5	ST	Hexagon head screw	6kt-Schraube	Vis à tête hexagonale	
123	4-3002510020	8	ST	Hexagon head screw	6kt-Schraube	Vis à tête hexagonale	
125	4-3002510030	8	ST	Hexagon head screw	6kt-Schraube	Vis à tête hexagonale	
126	4-3002510035	6	ST	Hexagon head screw	6kt-Schraube	Vis à tête hexagonale	
142	4-3048500100	16	ST	Hexagon nut	6kt-Mutter	Écrou hexagonal	
145	2-80166130	4	ST	Lock washer	Sicherungsscheibe	Rondelle frein	
148	2-80166032	14	ST	Lock washer	Sicherungsscheibe	Rondelle frein	
157	1394753	38	ST	Lock washer	Sicherungsscheibe	Rondelle frein	

Pos	Article	Qty.	Unit	Description	Bezeichnung	Designation	Note
0	4-33156	1	ST	Cooler Discharge	Kühlerauslauf	Cooler Discharge	
1	4-5160574051	1	ST	Hydr hose	H-Schlauch	Conduite hydraulique	
2	4-5160650064	1	ST	Screwed connection	Verschraubung	Raccord vissé	
3	4-5160680042	1	ST	Bulkhead coupling	Schottverschraubung	Raccord Schott	
4	4-5160670120	1	ST	Sealing plug	Verschlussstopfen	Bouchon de fermeture	

Pos	Article	Qty.	Unit	Description	Bezeichnung	Designation	Note
0	4-38455	1	ST	Exhaust	Auspuff	Echappement	
1	4-38290	1	ST	Frame	Rahmen	Cadre	
2	4-33378	1	ST	Exhaust	Auspuff	Echappement	
5	4-37690	1	ST	Plate	Blech	Tôle	
7	1302692	2	ST	Holder	Halter	Support de caisson	
8	1303061	1	ST	Catalytic converter	Abgaskatalysator	Catalyseur de gaz d'échappemen	
9	1304715	1	ST	Pipe	Rohr	Tuyau	
10	1303038	1	ST	Injection nozzle	Einspritzdüse	Buse d'injection	
11	1302695	1	ST	Installation kit	Einbausatz	Lot de montage	
12	1204217	1	ST	Clip	Bride	Bride	
13	1204232	2	ST	Holder	Halter	Support de caisson	
14	1204218	1	ST	Gasket	Dichtung	Joint d'étanchéité	
15	1305340	1	ST	Plug	Stopfen	Bouchon	
16	1425082	1	ST	Plug	Stopfen	Bouchon	
17	1305342	1	ST	Plug	Stopfen	Bouchon	
18	1302823	3	ST	Hex screw	6kt-Schraube	Vis à tête hexagonale	
19	1304241	1	ST	Valve	Ventil	Soupape	
22	2-80166016	4	ST	Lock washer	Sicherungsscheibe	Rondelle frein	
23	1394752	42	ST	Lock washer	Sicherungsscheibe	Rondelle frein	
26	4-3002506020	4	ST	Hexagon head screw	6kt-Schraube	Vis à tête hexagonale	
28	1423678	21	ST	Hex screw	6kt-Schraube	Vis à tête hexagonale	
31	1423673	21	ST	Hexagon nut	6kt-Mutter	Écrou hexagonal	

Pos	Article	Qty.	Unit	Description	Bezeichnung	Designation	Note
0	4-38431	1	ST	Heater	Heizung	Chauffage	
1	4-38433	1	ST	Hose	Schlauch	Tuyau	
2	4-38434	1	ST	Hose	Schlauch	Tuyau	
3	4-5160580030	2	ST	Protection hose	Schutzschlauch	Tube souple de protection	
4	4-37636	2	ST	Pipe	Rohr	Tuyau	
5	4-5358050048	4	ST	Sleeve	Muffe	Manchon	
6	4-5531020071	4	ST	Hose clamp	Schlauchklemme	Bride pour conduite souple	
8	4-5358050047	4	ST	Cap	Kappe	Capuchon	
10	4-3001508045	4	ST	Hexagon head screw	6kt-Schraube	Vis à tête hexagonale	

Pos	Article	Qty.	Unit	Description	Bezeichnung	Designation	Note
49	1394064	24	ST	Lock washer	Sicherungsscheibe	Rondelle frein	
50	1394065	80	ST	Lock washer	Sicherungsscheibe	Rondelle frein	
51	1394067	8	ST	Lock washer	Sicherungsscheibe	Rondelle frein	
55	2-80166059	6	ST	Lock washer	Sicherungsscheibe	Rondelle frein	
56	2-80166105	8	ST	Lock washer	Sicherungsscheibe	Rondelle frein	
70	4-5462110042	1	ST	Nut	Mutter	Ecrou	

Pos	Article	Qty.	Unit	Description	Bezeichnung	Designation	Note
0	4-36752	1	ST	Coupling piece	Kupplungsstück	Pièce d'accouplement	
1	4-13613	1	ST	Coupling piece	Kupplungsstück	Pièce d'accouplement	
2	4-5535010048	2	ST	Circlip	Sicherungsring	Circlip	

Pos	Article	Qty.	Unit	Description	Bezeichnung	Designation	Note
0	4-23003	1	ST	Rim	Felge	Jante	
1	4-31522	2	ST	Rim	Felge	Jante	
3	4-6160150328	2	ST	Tyre	Reifen	Pneu	
7	4-5325190010	2	ST	Valve	Ventil	Soupape	
8	4-3002516050	36	ST	Hexagon head screw	6kt-Schraube	Vis à tête hexagonale	
9	1394064	36	ST	Lock washer	Sicherungsscheibe	Rondelle frein	

Pos	Article	Qty.	Unit	Description	Bezeichnung	Designation	Note
0	4-36513	1	ST	Final drive	Achsantrieb	Entraînement de l'essieu	
1	1430475	2	ST	Gearbox	Getriebe	Engrenage	
1.01	1529316	1	ST	Sealing kit	Dichtsatz	Lot d'étanchéité	
1.02	1551030	1	ST	Screw 16x40	Schraube 16x40	Vis 16x40	
1.03	4-TM715303447	1	ST	O-ring	O-Ring	Anneau torique d'étanchéité	
2	1291762	1	ST	Fluid motor	Hydraulikmotor	Moteur hydraulique	
2.01	1408631	1	ST	Solenoid switch	Magnetschalter	Interrupteur magnétique	
3	1543443	1	ST	Engine speed sensor	Drehzahlgeber	Compte-tours	
4	1291764	1	ST	Fluid motor	Hydraulikmotor	Moteur hydraulique	
4.01	1408631	1	ST	Solenoid switch	Magnetschalter	Interrupteur magnétique	
5	4-3002516050	36	ST	Hexagon head screw	6kt-Schraube	Vis à tête hexagonale	
6	1394064	40	ST	Lock washer	Sicherungsscheibe	Rondelle frein	

003-054

Pos	Article	Qty.	Unit	Description	Bezeichnung	Designation	Note
0	4-36941	1	ST	Holder	Halter	Support de caisson	
1	4-36962	2	ST	Holder	Halter	Support de caisson	
2	4-38179	4	ST	Washer	U-Scheibe	Rondelle	
3	4-38180	4	ST	Washer	U-Scheibe	Rondelle	
4	3-55395	4	ST	Hexagon head screw	6kt-Schraube	Vis à tête hexagonale	
6	1521444	4	ST	Hex screw	6kt-Schraube	Vis à tête hexagonale	
7	1521688	4	ST	Hexagon nut	6kt-Mutter	Écrou hexagonal	
8	1394065	8	ST	Lock washer	Sicherungsscheibe	Rondelle frein	
9	1309938	4	ST	Washer	U-Scheibe	Rondelle	
10	80-M01818	4	ST	Spring pin 8x32	Spannstift 8x32	Goupille élastique 8x32	

Pos	Article	Qty.	Unit	Description	Bezeichnung	Designation	Note
0	4-107397	1	ST	Joint	Gelenk	Articulation	
2	4-107396	1	ST	Plate	Platte	Plaque	
3	4-107394	1	ST	Hub	Nabe	Moyeu	
10	4-319165	2	ST	Cover	Deckel	Couvercle	
11	4-324201	2	ST	Cover	Deckel	Couvercle	
12	4-324106	2	ST	Bolt	Bolzen	Boulon	
13	4-436626	2	ST	Spacer element	Distanzelement	Elément de distance	
14	4-443182	1	ST	Washer	U-Scheibe	Rondelle	
17	4-436622	2	ST	Lug	Lasche	Jumelle	
23	1279014	1	ST	Bearing	Lager	Palier	
24	4-5462050021	2	ST	Spherical roller bearing	Pendelrollenlager	Roulement à rouleaux articulé	
25	4-5462110024	2	ST	Nut	Mutter	Ecrou	
26	4-5462110139	2	ST	Securing plate	Sicherungsblech	Frein d'écrou	
34	4-3002512025	24	ST	Hexagon head screw	6kt-Schraube	Vis à tête hexagonale	
35	4-3002512030	2	ST	Hexagon head screw	6kt-Schraube	Vis à tête hexagonale	
36	4-3002512040	2	ST	Hexagon head screw	6kt-Schraube	Vis à tête hexagonale	
37	4-3002714065	23	ST	Hexagon head screw	6kt-Schraube	Vis à tête hexagonale	
38	4-3001714100	24	ST	Hexagon head screw	6kt-Schraube	Vis à tête hexagonale	
40	4-3001524090	8	ST	Hexagon head screw	6kt-Schraube	Vis à tête hexagonale	
41	4-3002520040	1	ST	Hexagon head screw	6kt-Schraube	Vis à tête hexagonale	
44	1394063	47	ST	Lock washer	Sicherungsscheibe	Rondelle frein	
46	2-80166040	28	ST	Lock washer	Sicherungsscheibe	Rondelle frein	
48	2-80166105	8	ST	Lock washer	Sicherungsscheibe	Rondelle frein	
53	4-5536210001	2	ST	Grease nipple	Schmiernippel	Graisseur	
54	4-5536210006	2	ST	Grease nipple	Schmiernippel	Graisseur	
55	4-5358030042	10	ST	Plug	Stopfen	Bouchon	
59	4-6160082017	4	ST	Stripper ring	Abstreifring	Anneau racléur	

Pos	Article	Qty.	Unit	Description	Bezeichnung	Designation	Note
0	4-24298	1	ST	Cover	Abdeckung	Couvercle	
1	4-24299	2	ST	Cover	Abdeckung	Couvercle	
2	4-3002510016	8	ST	Hexagon head screw	6kt-Schraube	Vis à tête hexagonale	
3	1394753	8	ST	Lock washer	Sicherungsscheibe	Rondelle frein	

Pos	Article	Qty.	Unit	Description	Bezeichnung	Designation	Note
0	4-38482	1	ST	Door	Tür	Porte	
1	4-38481	1	ST	Plate	Blech	Tôle	
2	4-9500001015	1	ST	Tongue lock	Zungenschloss	Serrure d'aiguille	
2.01	4-9500001014	1	ST	Key	Schlüssel	Clé	

Pos	Article	Qty.	Unit	Description	Bezeichnung	Designation	Note
0	4-35044	1	ST	Platform	Plattform	Plate-forme	
1	4-38420	1	ST	Platform	Plattform	Plate-forme	
3	4-35047	1	ST	Insulating plate	Dämmplatte	Panneau isolant	
4	4-35048	1	ST	Insulating plate	Dämmplatte	Panneau isolant	
5	4-35049	1	ST	Insulating plate	Dämmplatte	Panneau isolant	
6	4-35050	1	ST	Insulating plate	Dämmplatte	Panneau isolant	
7	4-39196	1	ST	Insulating plate	Dämmplatte	Panneau isolant	
8	4-35052	1	ST	Insulating plate	Dämmplatte	Panneau isolant	
9	4-35053	1	ST	Insulating plate	Dämmplatte	Panneau isolant	
10	4-35054	1	ST	Insulating plate	Dämmplatte	Panneau isolant	
11	4-35055	1	ST	Insulating plate	Dämmplatte	Panneau isolant	
12	4-35056	1	ST	Insulating plate	Dämmplatte	Panneau isolant	
13	4-35175	1	ST	Insulating plate	Dämmplatte	Panneau isolant	
16	4-40152	1	ST	Bar	Leiste	Listel	
17	1394752	4	ST	Lock washer	Sicherungsscheibe	Rondelle frein	
18	4-3002508025	4	ST	Hexagon head screw	6kt-Schraube	Vis à tête hexagonale	
22	1528119	1	ST	Leadthrough grommet	Durchführungstülle	Bague de passe-câbles	

Pos	Article	Qty.	Unit	Description	Bezeichnung	Designation	Note
0	4-35200	1	ST	Operator stand	Fahrerstand	Poste de conduite	
1	1418524	1	ST	Steering Column	Lenksäule	Colonne de direction	
2	4-38477	1	ST	Display unit	Anzeigegerät	Appareil indicateur	
3	4-34289	1	ST	Control panel	Bedientableau	Panneau de commande	
4	1267265	1	ST	Steering wheel	Lenkrad	Volant	
5	2-80166024	12	ST	Lock washer	Sicherungsscheibe	Rondelle frein	
6	2-80166032	4	ST	Lock washer	Sicherungsscheibe	Rondelle frein	
7	4-36022	1	ST	Washer	U-Scheibe	Rondelle	
8	1267263	1	ST	Rotary handle	Drehgriff	Poignée tournante	
10	4-3048500080	6	ST	Hexagon nut	6kt-Mutter	Écrou hexagonal	
11	4-3002510025	4	ST	Hexagon head screw	6kt-Schraube	Vis à tête hexagonale	
12	4-3114308025	6	ST	Cyl head screw	Zyl-Schraube	Vis à tête cylindrique	

Pos	Article	Qty.	Unit	Description	Bezeichnung	Designation	Note
0	4-35603	1	ST	Door	Tür	Porte	
1	4-S35615	1000	ST	Door	Tür	Porte	
2	4-AM35620	2000	ST	Suspension	Aufhängung	Suspension	
3	1550608	6000	ST	Screw	Schraube	Vis	
4	1549834	2000	ST	Washer 10.2x16x2	U-Scheibe 10.2x16x2	Rondelle 10.2x16x2	
5	1549836	2000	ST	Ball pivot	Kugelzapfen	Tourillon à rotule	
6	1549837	1000	ST	Gas spring	Gaszugfeder	Vérin à gaz	
7	1549838	1000	ST	Locking bolt 12x18	Schliessbolzen 12x18	Axe fermant 12x18	
8	1549839	1000	ST	Clamp	Klemme	Borne	
9	1549860	1000	ST	Washer	U-Scheibe	Rondelle	
10	1550620	1000	ST	Plate	Blech	Tôle	
11	1549861	1000	ST	Bolt 8x60	Bolzen 8x60	Boulon 8x60	
12	1549862	2000	ST	Washer	U-Scheibe	Rondelle	

004-169

Pos	Article	Qty.	Unit	Description	Bezeichnung	Designation	Note
0	4-37405	1	ST	Holder	Halter	Support de caisson	
1	4-37231	1	ST	Plate	Blech	Tôle	
2	1394751	2	ST	Lock washer	Sicherungsscheibe	Rondelle frein	
3	4-3002506020	2	ST	Hexagon head screw	6kt-Schraube	Vis à tête hexagonale	

Pos	Article	Qty.	Unit	Description	Bezeichnung	Designation	Note
0	4-39304	1	ST	Roof	Dach	Toit	
1	4-37247	1	ST	Roof	Dach	Toit	
2	4-39070	1	ST	Plate	Blech	Tôle	
3	4-39907	1	ST	Plate	Blech	Tôle	
4	4-39911	1	ST	Plate	Blech	Tôle	
5	4-39074	1	ST	Plate	Blech	Tôle	
6	4-30935	1	ST	Bracket	Konsole	Console	
7	4-38964	1	ST	Roof	Dach	Toit	
8	4-39623	2	ST	Bracket	Bügel	Étrier	
9	4-37065	1	ST	Bracket	Konsole	Console	
10	4-37066	1	ST	Bracket	Konsole	Console	
11	4-30928	1	ST	Bracket	Konsole	Console	
12	4-39878	1	ST	Cover	Abdeckung	Couvercle	
14	4-39067	1	ST	Plate	Blech	Tôle	
15	4-39054	1	ST	Plate	Blech	Tôle	
16	4-24711	7	ST	Washer	U-Scheibe	Rondelle	
17	4-38959	1	ST	Washer	U-Scheibe	Rondelle	
18	4-6150090093	4	ST	Screw head cover	Schraubenkopfabdeckung	Capuchon de tête de vis	
19	4-5358010137	2	ST	Bearing	Lager	Palier	
20	1262993	7	ST	Cage nut	Käfigmutter	Écrou prisonnier	
21	4-3172900090	7	ST	Washer	U-Scheibe	Rondelle	
22	1394751	4	ST	Lock washer	Sicherungsscheibe	Rondelle frein	
24	1279191	4	ST	Washer	U-Scheibe	Rondelle	
25	1413792	3	ST	Pan-head screw	Flachkopfschraube	Vis à tête plate	
26	4-3714106016	25	ST	Screw	Schraube	Vis	
27	4-9500001015	1	ST	Tongue lock	Zungenschloss	Serrure d'aiguille	
27.01	4-9500001014	1	ST	Key	Schlüssel	Clé	
29	1278862	4	ST	Gasket	Dichtung	Joint d'étanchéité	
30	4-38313	1	ST	Cover	Deckel	Couvercle	
31	1306909	2	ST	Rear mirror	Rückspiegel	Rétroviseur	
32	4-9200000001	2	ST	Hook	Haken	Crochet	
33	4-3048500060	4	ST	Hexagon nut	6kt-Mutter	Écrou hexagonal	
34	1310521	4	ST	Washer	U-Scheibe	Rondelle	
35	1310301	8	ST	Washer	U-Scheibe	Rondelle	
36	4-3001512040	4	ST	Hexagon head screw	6kt-Schraube	Vis à tête hexagonale	
37	4-3114306020	4	ST	Cyl head screw	Zyl-Schraube	Vis à tête cylindrique	
38	4-3114308016	8	ST	Cyl head screw	Zyl-Schraube	Vis à tête cylindrique	

Pos	Article	Qty.	Unit	Description	Bezeichnung	Designation	Note
0	4-39060	1	ST	Plate	Blech	Tôle	
1	4-S32283	1	ST	Cover	Abdeckung	Couverture	
2	4-39061	1	ST	Plate	Blech	Tôle	
3	4-39064	1	ST	Profile	Profil	Profil	
4	1268558	4	ST	Oval head screw	Linsenschraube	Vis à tête bombée	

CLICK HERE TO **DOWNLOAD** THE COMPLETE MANUAL

- Thank you very much for reading the preview of the manual.
- You can download the complete manual from: www.heydownloads.com by clicking the link below



- Please note: If there is no response to CLICKING the link, please download this PDF first and then click on it.

CLICK HERE TO **DOWNLOAD** THE COMPLETE MANUAL

Pos	Article	Qty.	Unit	Description	Bezeichnung	Designation	Note
0	4-38822	1	ST	Covering hood	Abdeckhaube	Couvercle	
1	4-38823-B2	1	ST	Covering hood	Abdeckhaube	Couvercle	
2	4-39140	1	ST	Plate	Blech	Tôle	
3	4-39144	1	ST	Plate	Blech	Tôle	
4	4-39145	1	ST	Plate	Blech	Tôle	
5	4-39143	1	ST	Nut	Mutter	Ecrou	
8	4-39499	1	ST	Profile	Profil	Profil	
9	1180049	0.59	M	Sealing profile	Abdichtungsprofil	Profil d'étanchéité	
10	1180049	5.28	M	Sealing profile	Abdichtungsprofil	Profil d'étanchéité	
11	4-6160081072	1.42	M	Gasket	Dichtung	Joint d'étanchéité	
15	1399415	1	ST	Door lock	Türschloss	Serrure de porte	
16	1399414	1	ST	Push button handle	Druckknopfgriff	Push button handle	
17	1399416	1	ST	Base	Unterlage	Appui	
18	4-9500001010	1	ST	Washer	U-Scheibe	Rondelle	
25	1394752	2	ST	Lock washer	Sicherungsscheibe	Rondelle frein	
28	2-80166016	11	ST	Lock washer	Sicherungsscheibe	Rondelle frein	
29	4-3048500080	2	ST	Hexagon nut	6kt-Mutter	Écrou hexagonal	
30	4-3002506030	1	ST	Hexagon head screw	6kt-Schraube	Vis à tête hexagonale	
31	4-3002506016	10	ST	Hexagon head screw	6kt-Schraube	Vis à tête hexagonale	
32	1-902976	2	ST	Countersunk screw	Senkschraube	Vis à tête fraisée	

Pos	Article	Qty.	Unit	Description	Bezeichnung	Designation	Note
300	4-S34763A_D	1	ST	Driving hydraulics part A	Fahrhydraulik Teil A	Hydraulique de propulsion partie A	
300	4-S34763B_D	1	ST	Driving hydraulics part B	Fahrhydraulik Teil B	Hydraulique de propulsion partie B	
310	4-S37172_B	1	ST	Drum hydraulics D	Bandagenhydraulik D	Hydraulique de bille D	
312	4-S37173_A	1	ST	Drum hydraulics HX	Bandagenhydraulik HX	Hydraulique de bille HX	
320	4-S34764_C	1	ST	Vibration hydraulics	Vibrationshydraulik	Hydraulique de vibration	
330	4-S37614_A	1	ST	Blocking hydraulics	Sperrhydraulik	Hydraulique de verrouillage	
335	4-S34766_A	1	ST	Blocking hydraulics RTM	Sperrhydraulik RTM	Hydraulique de verrouillage RTM	
350	4-S34767_A	1	ST	Pump hydraulics	Pumpenhydraulik	Hydraulique de pompes	
360	4-S39383	1	ST	Hydraulic oil tank	Hydrauliköltank	Réservoir d'huile hydraulique	
364	4-S34769_B	1	ST	Steering hydraulics	Lenkhydraulik	Hydraulique de direction	
370	4-S34770_A	1	ST	Cooling hydraulics	Kühlhydraulik	Hydraulique de refroidissement	
375	4-S36593	1	ST	Steer cylinder	Lenkzylinder	Vérin de direction	
381	4-S40172	1	ST	Lifting hydraulics	Hebehhydraulik	Hydraulique de levage	
390	4-S36041_B	1	ST	Measuring place under the cab	Messen unter der Kabine	Mesurer lieu sous la cabine	
391	4-S36042_A	1	ST	Measuring point	Messstelle	Point de mesure	

Pos	Article	Qty.	Unit	Description	Bezeichnung	Designation	Note
0	4-37172	1	ST	Drum hydraulics	Bandagenhydraulik	Hydraulique de bille	
1	4-5160580015	2	ST	Semi-flange	Halbflansch	Demi-bride	
2	4-5160580016	2	ST	Semi-flange	Halbflansch	Demi-bride	
3	4-5160680045	2	ST	Flange	Flansch	Bride	
4	1605022	2	ST	Elbow socket	Winkelstutzen	Raccord coudé	
5	4-5160574723	1	ST	Hydr hose	H-Schlauch	Conduite hydraulique	
6	4-5160574705	1	ST	Hydr hose	H-Schlauch	Conduite hydraulique	
10	4-6160142201	1	ST	O-ring	O-Ring	Anneau torique d'étanchéité	
11	4-6160142202	1	ST	O-ring	O-Ring	Anneau torique d'étanchéité	
20	4-3114308030	4	ST	Cyl head screw	Zyl-Schraube	Vis à tête cylindrique	
21	4-3114310030	4	ST	Cyl head screw	Zyl-Schraube	Vis à tête cylindrique	
22	4-3002510035	2	ST	Hexagon head screw	6kt-Schraube	Vis à tête hexagonale	
30	4-6150051017	2	ST	Cable tie	Kabelbinder	Connecteur de câbles	
31	4-6150051019	3	ST	Cable tie	Kabelbinder	Connecteur de câbles	

Pos	Article	Qty.	Unit	Description	Bezeichnung	Designation	Note
0	4-34767	1	ST	Pump hydraulics	Pumpenhydraulik	Hydraulique de pompes	
1	1514304	1	ST	Pump	Pumpe	Pompe	
1.01	1296889	1	ST	Servo valve	Vorsteuerventil	Soupape pilote	
1.02	1530170	1	ST	Sealing kit	Dichtsatz	Lot d'étanchéité	
2	1506676	1	ST	Vibration pump	Vibrationspumpe	Pompe à vibration	
3	1518564	1	ST	Gear pump	Zahnradpumpe	Pompe à engrenage	
3.01	1530191	1	ST	Sealing kit	Dichtsatz	Lot d'étanchéité	
4	1510757	1	ST	Hydraulic body	Hydraulikkörper	Corps hydraulique	
7	1516834	2	ST	Connector	Stutzen	Tubulure	
9	4-5160650109	2	ST	Screwed connection	Verschraubung	Raccord vissé	
10	4-5160650015	1	ST	Screwed connection	Verschraubung	Raccord vissé	
11	4-5160650040	2	ST	Screwed connection	Verschraubung	Raccord vissé	
12	4-5160650031	1	ST	Screwed connection	Verschraubung	Raccord vissé	
13	1510244	1	ST	Connector	Stutzen	Tubulure	
16	4-5160670030	1	ST	Screwed connection	Verschraubung	Raccord vissé	
17	4-5160660027	1	ST	Screwed connection	Verschraubung	Raccord vissé	
25	4-5160574295	1	ST	Hydr hose	H-Schlauch	Conduite hydraulique	
26	4-5160574296	1	ST	Hydr hose	H-Schlauch	Conduite hydraulique	
29	4-6160141048	1	ST	O-ring	O-Ring	Anneau torique d'étanchéité	
30	1501224	2	ST	Hex screw	6kt-Schraube	Vis à tête hexagonale	
31	4-3600014040	4	ST	Hex screw	6kt-Schraube	Vis à tête hexagonale	
32	4-3002512040	2	ST	Hexagon head screw	6kt-Schraube	Vis à tête hexagonale	
36	1393963	2	ST	Lock washer	Sicherungsscheibe	Rondelle frein	
38	1394064	2	ST	Lock washer	Sicherungsscheibe	Rondelle frein	

Pos	Article	Qty.	Unit	Description	Bezeichnung	Designation	Note
0	4-34770	1	ST	Cooling hydraulics	Kühlhydraulik	Hydraulique de refroidissement	
1	4-S35176	1	ST	Cube downspout	Würfel Fallrohr	Cube seducement	
3	4-5160670062	2	ST	Flange	Flansch	Bride	
5	4-5160670087	1	ST	Screwed connection	Verschraubung	Raccord vissé	
6	4-5160670030	1	ST	Screwed connection	Verschraubung	Raccord vissé	
7	4-5160660066	1	ST	Screwed connection	Verschraubung	Raccord vissé	
8	4-5160650058	1	ST	Screwed connection	Verschraubung	Raccord vissé	
13	4-5160574480	1	ST	Hydr hose	H-Schlauch	Conduite hydraulique	
14	4-5160574543	1	ST	Hydr hose	H-Schlauch	Conduite hydraulique	
15	4-5160574546	1	ST	Hydr hose	H-Schlauch	Conduite hydraulique	
16	4-5160574299	1	ST	Hydr hose	H-Schlauch	Conduite hydraulique	
17	4-5160574298	1	ST	Hydr hose	H-Schlauch	Conduite hydraulique	
18	4-5160574297	1	ST	Hydr hose	H-Schlauch	Conduite hydraulique	
19	4-5160574538	1	ST	Hydr hose	H-Schlauch	Conduite hydraulique	
23	4-5160630001	2	ST	Semi-flange	Halbflansch	Demi-bride	
24	4-5160580021	2	ST	Semi-flange	Halbflansch	Demi-bride	
25	4-5358050024	1	ST	Sleeve	Muffe	Manchon	
26	4-5358050034	1	ST	Sleeve	Muffe	Manchon	
27	4-5160580009	2	ST	Clip	Schelle	Bride	
28	4-6160142203	1	ST	O-ring	O-Ring	Anneau torique d'étanchéité	
29	4-6160142206	1	ST	O-ring	O-Ring	Anneau torique d'étanchéité	
30	4-6160142202	1	ST	O-ring	O-Ring	Anneau torique d'étanchéité	
35	4-3114306028	2	ST	Cyl head screw	Zyl-Schraube	Vis à tête cylindrique	
36	4-3114306030	6	ST	Cyl head screw	Zyl-Schraube	Vis à tête cylindrique	
37	1-902695	4	ST	Cyl head screw	Zyl-Schraube	Vis à tête cylindrique	
38	4-3114310030	4	ST	Cyl head screw	Zyl-Schraube	Vis à tête cylindrique	
38	4-3114310030	4	ST	Cyl head screw	Zyl-Schraube	Vis à tête cylindrique	
42	2-80166016	8	ST	Lock washer	Sicherungsscheibe	Rondelle frein	
43	2-80166024	4	ST	Lock washer	Sicherungsscheibe	Rondelle frein	

Pos	Article	Qty.	Unit	Description	Bezeichnung	Designation	Note
0	4-36041	1	ST	Measuring point	Messstelle	Point de mesure	
1	1518563	2	ST	Leadthrough grommet	Durchführungstülle	Bague de passe-câbles	
2	1516837	2	ST	Coupling	Kupplung	Accouplement	
4	4-5160660120	2	ST	Coupling	Kupplung	Accouplement	
5	1516846	2	ST	Coupling	Kupplung	Accouplement	
6	4-5160574714	1	ST	Hydr hose	H-Schlauch	Conduite hydraulique	
7	4-5160574716	1	ST	Hydr hose	H-Schlauch	Conduite hydraulique	
8	4-5160574651	1	ST	Hydr hose	H-Schlauch	Conduite hydraulique	
9	4-5160574713	1	ST	Hydr hose	H-Schlauch	Conduite hydraulique	
10	4-5160574712	1	ST	Hydr hose	H-Schlauch	Conduite hydraulique	
11	4-5160574717	1	ST	Hydr hose	H-Schlauch	Conduite hydraulique	
18	4-6531014027	1	ST	Plate	Schild	Enseigne	
19	4-6531014028	1	ST	Plate	Schild	Enseigne	

006-404

Pos	Article	Qty.	Unit	Description	Bezeichnung	Designation	Note
0	4-39220	1	ST	Electrical installation	Elektroinstallation	Installation électrique	
1	4-39458	1	ST	Cable harness	Kabelbaum	Faisceau de câbles	
2	4-35178	1	ST	Cable harness	Kabelbaum	Faisceau de câbles	
3	4-39572	1	ST	Cable harness	Kabelbaum	Faisceau de câbles	
5	4-37707	1	ST	Cable harness	Kabelbaum	Faisceau de câbles	

Pos	Article	Qty.	Unit	Description	Bezeichnung	Designation	Note
39	1307089	4	ST	Y branch	Gabelstück	Pièce à fourche	
41	4-6150051018	20	ST	Cable tie	Kabelbinder	Connecteur de câbles	
42	4-6150051016	15	ST	Cable tie	Kabelbinder	Connecteur de câbles	
43	4-6150051017	5	ST	Cable tie	Kabelbinder	Connecteur de câbles	
44	1307534	15	ST	Cable tie	Kabelbinder	Connecteur de câbles	
45	4-38028	1	ST	Holder	Halter	Support de caisson	
46	1414377	5	ST	Diode	Diode	Diode	
47	4-5358150049	1	ST	Clip	Schelle	Bride	
48	1524913	1	ST	Pan-head screw	Flachkopfschraube	Vis à tête plate	
49	4-3114305020	1	ST	Cyl head screw	Zyl-Schraube	Vis à tête cylindrique	
50	1225429	6	ST	Hex screw	6kt-Schraube	Vis à tête hexagonale	
51	1221828	2	ST	Oval head screw	Linsenschraube	Vis à tête bombée	
52	1221833	4	ST	Oval head screw	Linsenschraube	Vis à tête bombée	
53	1221839	6	ST	Oval head screw	Linsenschraube	Vis à tête bombée	
54	4-3114304020	4	ST	Cyl head screw	Zyl-Schraube	Vis à tête cylindrique	
55	4-3113104025	2	ST	Cyl head screw	Zyl-Schraube	Vis à tête cylindrique	
56	4-3002505010	8	ST	Hexagon head screw	6kt-Schraube	Vis à tête hexagonale	
57	4-3114305016	22	ST	Cyl head screw	Zyl-Schraube	Vis à tête cylindrique	
58	4-3002505025	2	ST	Hexagon head screw	6kt-Schraube	Vis à tête hexagonale	
59	4-3114305025	2	ST	Cyl head screw	Zyl-Schraube	Vis à tête cylindrique	
60	4-3114305030	4	ST	Cyl head screw	Zyl-Schraube	Vis à tête cylindrique	
61	4-3114306020	7	ST	Cyl head screw	Zyl-Schraube	Vis à tête cylindrique	
62	4-3114306028	2	ST	Cyl head screw	Zyl-Schraube	Vis à tête cylindrique	
63	4-3123204010	5	ST	Pan head tapping screw	Linsenblechschraube	Vis à tôle à tête bombée	
64	1597148	2	ST	Pan head tapping screw	Linsenblechschraube	Vis à tôle à tête bombée	
65	4-3174500022	2	ST	Serrated lock washer	Fächerscheibe	Rondelle à dents chevauchantes	
66	4-3170200043	4	ST	Washer	U-Scheibe	Rondelle	
67	4-3170200053	30	ST	Washer	U-Scheibe	Rondelle	
68	4-3170200064	15	ST	Washer	Scheibe	Rondelle	
69	1238892	6	ST	Lock washer	Sicherungsscheibe	Rondelle frein	
70	1224808	4	ST	Hexagon nut	6kt-Mutter	Écrou hexagonal	
71	4-3140100020	2	ST	Hexagon nut	6kt-Mutter	Écrou hexagonal	
72	4-3149200030	4	ST	Nut	Mutter	Ecrou	
73	4-3149200040	8	ST	Nut	Mutter	Ecrou	
74	4-3048500050	8	ST	Hexagon nut	6kt-Mutter	Écrou hexagonal	
75	4-3149200050	10	ST	Nut	Mutter	Ecrou	
76	1238893	6	ST	Nut	Mutter	Ecrou	

Pos	Article	Qty.	Unit	Description	Bezeichnung	Designation	Note
0	4-36632	1	ST	Electrical installation	Elektroinstallation	Installation électrique	
1	4-35277	1	ST	Cable harness	Kabelbaum	Faisceau de câbles	
2	1234527	1	ST	Operating lever	Betätigungshebel	Levier de manoeuvre	
2.01	1240372	1	ST	Push button	Taster	Touche	
2.02	1289457	1	ST	Push button	Taster	Touche	
2.03	1599157	1	ST	Bellows	Faltenbalg	Soufflet de protection	
3	1405694	1	ST	Emergency push button	Notaustaster	Interrupteur d'arrêt d'urgence	
4	1247246	1	ST	Ignition lock	Zündschloss	Combiné contact démarreur	
4.01	4-9500001014	1	ST	Key	Schlüssel	Clé	
5	4-5358010402	1	ST	Flap	Klappe	Clapet	
6	1521325	1	ST	Toggle switch	Kippschalter	Interrupteur à bascule	
7	1521327	1	ST	Change-over switch	Wechselschalter	Commutateur inverseur	
8	1521329	1	ST	Change-over switch	Wechselschalter	Commutateur inverseur	
10	4-6531012582	1	ST	Symbol	Symbol	Symbole	
11	4-5413070121	3	ST	Auxiliary switch block	Hilfsschalterblock	Bloc de commutateur auxiliaire	
12	1317282	1	ST	Dummy plug	Blindverschluss	Fermeture dissimulée	
13	4-5413070122	1	ST	Contact	Kontakt	Contact	
14	4-5413070120	1	ST	Coupling	Kupplung	Accouplement	
15	4-3114306025	4	ST	Cyl head screw	Zyl-Schraube	Vis à tête cylindrique	
20	4-3900017060	4	ST	Spring washer	Federscheibe	Rondelle élastique	

Pos	Article	Qty.	Unit	Description	Bezeichnung	Designation	Note
0	4-35079	1	ST	Electrical installation	Elektroinstallation	Installation électrique	
1	4-39209	1	ST	Cable harness	Kabelbaum	Faisceau de câbles	
5	4-35374	1	ST	Plate	Blech	Tôle	
7	1310732	1	ST	Module	Modul	Module	
8	1235604	1	ST	Flange	Flansch	Bride	
9	1235601	1	ST	Lock	Schloss	Serrure	
10	1514760	3	ST	Hose clip	Schlauchschelle	Bride pour tuyaux	
11	4-5358150049	2	ST	Clip	Schelle	Bride	
12	4-5422060014	1	ST	Fuse	Sicherung	Fusible	
13	4-5422060018	1	ST	Fuse	Sicherung	Fusible	
14	4-5358050044	1	ST	Sleeve	Muffe	Manchon	
15	4-6150051016	5	ST	Cable tie	Kabelbinder	Connecteur de câbles	
16	4-6150051017	10	ST	Cable tie	Kabelbinder	Connecteur de câbles	
17	1290987	20	ST	Cable tie	Kabelbinder	Connecteur de câbles	
18	1307534	5	ST	Cable tie	Kabelbinder	Connecteur de câbles	
20	4-3113104025	2	ST	Cyl head screw	Zyl-Schraube	Vis à tête cylindrique	
21	H77285054	4	ST	Oval head screw	Linsenschraube	Vis à tête bombée	
22	4-3114605016	2	ST	Oval head screw	Linsenschraube	Vis à tête bombée	
23	4-3114305016	3	ST	Cyl head screw	Zyl-Schraube	Vis à tête cylindrique	
24	4-3114306028	2	ST	Cyl head screw	Zyl-Schraube	Vis à tête cylindrique	
25	2-80166130	10	ST	Lock washer	Sicherungsscheibe	Rondelle frein	
30	4-3140100040	2	ST	Hexagon nut	6kt-Mutter	Écrou hexagonal	
31	4-3048500050	9	ST	Hexagon nut	6kt-Mutter	Écrou hexagonal	

Pos	Article	Qty.	Unit	Description	Bezeichnung	Designation	Note
92	4-S34109	1	ST	Fuel tank lock	Kraftstofftankverschluss	Réservoir de carburant verrou	
164	4-S39200	1	ST	Sun shade	Sonnenblende	Pare-soleil	
340	4-S39913	1	ST	Blade hydraulic system	Hydraulik des Schubschildes	Hydraulique du soc	
413	4-S35062	1	ST	Warning beacon	Rundumwarnleuchte	Gyrophare	
414	4-S39719	1	ST	Signal Horn Adaptive 45227	Signalhorn adaptiv 45227	Avertisseur sonore adaptatif 45227	
421	4-S35067_B	1	ST	Additional lights - cabin	Zusatzbeleuchtung - Kabine	Feux supplémentaires - cabine	
424	4-S39339_A	1	ST	Registration plate lighting	Kennzeichenbeleuchtung	Éclairage de plaque d'immatriculation	
425	4-S35071	1	ST	Road Lights	Strassenbeleuchtung	Feux de route	
426	4-S35072	1	ST	Electrical installation Dozer Blade	Elektroinstallation Planierschild	Installation électrique lame niveleuse	
429	4-S37797	1	ST	Rear reflector	Rückstrahler	Réfecteur	
435	4-S35075_A	1	ST	ACE Force	ACE Force	ACE Force	
437	4-S35076	1	ST	GPS Topcon	GPS Topcon	GPS Topcon	
438	4-S38759_A	1	ST	Module telematic prepare	Modul Telematic Präparat	Module telematic préparation	
439	4-S38649_A	1	ST	Telematics - Topcon	Telematics - Topcon	Telematics - Topcon	
440	4-S20215	1	ST	Car radio	Autoradio	Autoradio	
441	4-S20214	1	ST	Car radio preparation	Autoradiovorbereitung	Préparation pour autoradio	
442	4-S39791	1	ST	Telematics - Trackunit	Telematics - Trackunit	Telematics - Trackunit	
443	4-S40784	1	ST	Telematics Teltonika - Platform	Telematik Teltonika - Plattform	Télématique Teltonika - Plate-forme	
444	4-S38050	1	ST	Telematics - Teltonika FM6300	Telematics - Teltonika FM6300	Telematics - Teltonika FM6300	
449	4-S39215	1	ST	Warning beacon green	Rundumwarnleuchte grün	Gyrophare vert	
450	4-S37436_A	1	ST	Warning triangle	Warndreieck	Triangle d'avertissement	
456	4-S40740	1	ST	GPS Q-Compaction Preparation	GPS Q-Compaction Vorbereitung	GPS préparation Q-Compaction	
457	4-S40746	1	ST	GPS Q-Compaction Preparation ACE	GPS Q-Compaction Vorbereitung ACE	GPS préparation Q-Compaction ACE	
458	4-S699050	1	ST	GPS Q-Compaction	GPS Q-Compaction	GPS Q-Compaction	
459	4-S699051	1	ST	GPS Q-Compaction ACE	GPS Q-Compaction ACE	GPS Q-Compaction ACE	
523	4-S324142_A	1	ST	Accessories wheel, lubrication	Zubehör Rad, Schmierung	Accessoires roue, lubrification	
524	4-S5532020060	1	ST	Toolset	Werkzeugsatz	Jeu d'outils	
545	4-S760269	1	ST	Filter set 500 and 1000 h	Filtersatz 500 und 1000 h	Jeu de filtre 500 et 1000 h	
546	4-S760270	1	ST	Filter set 2000 h	Filtersatz 2000 h	Jeu de filtre 2000 h	
550	4-S38296	1	ST	Dozer Blade	Planierschild	Lame niveleuse	
556	4-S39432	1	ST	Dozer blade lock	Planierschildsicherung	Sûreté de lame de nivellement	
558	4-S40496	1	ST	Rear View Camera	Rückfahrkamera	Caméra de recul	
560	4-S37372_A	1	ST	Segment	Segment	Segment	
614	4-S35111_A	1	ST	Air conditioning - engine set	Klimaanlage - Motorsatz	Climatisation - kit moteur	
615	4-S35095_D	1	ST	Air conditioning - cab set	Klimaanlage - Kabinensatz	Climatisation - kit cabine	
625	4-S35466	1	ST	Fire extinguisher	Feuerlöscher	Extincteur	
685	4-S37751	1	ST	Tachograph	Tachograph	Tachygraphe	

Pos	Article	Qty.	Unit	Description	Bezeichnung	Designation	Note
0	4-40772	1	ST	Hydraulic block	Hydraulikblock	Bloc hydraulique	
1	1616177	1	ST	Hydraulic block	Hydraulikblock	Bloc hydraulique	
2	4-5160650036	3	ST	Screwed connection	Verschraubung	Raccord vissé	
3	4-5160650014	3	ST	Screwed connection	Verschraubung	Raccord vissé	
4	1222494	1	ST	Measurement connector	Messstutzen	Raccord de mesure	

Pos	Article	Qty.	Unit	Description	Bezeichnung	Designation	Note
0	4-35071	1	ST	Light	Licht	Eclairage	
1	4-38214	1	ST	Cable harness	Kabelbaum	Faisceau de câbles	
2	4-38215	1	ST	Cable harness	Kabelbaum	Faisceau de câbles	
3	4-526398	1	ST	Front headlamps	Vorderlichter	Phares avant	
4	4-539509	1	ST	Rear lamps	Rücklicht	Feux arrière	
6	1516389	1	ST	Rocker switch	Wippschalter	Rocker switch	
7	1521326	1	ST	Change-over switch	Wechselschalter	Commutateur inverseur	
8	1524423	1	ST	Toggle switch	Kippschalter	Interrupteur à bascule	
9	1307534	20	ST	Cable tie	Kabelbinder	Connecteur de câbles	
10	4-5358170077	1	ST	Circuit breaker	Ausschalter	Disjoncteur	
11	1321227	1	ST	Relay	Relais	Relais protecteur	
12	4-5358170080	1	ST	Relay	Relais	Relais protecteur	
15	4-6150051017	10	ST	Cable tie	Kabelbinder	Connecteur de câbles	

Pos	Article	Qty.	Unit	Description	Bezeichnung	Designation	Note
0	4-35075	1	ST	Electrical diagram	Elektroschema	Schéma électrique	
1	4-39217	1	ST	Cable harness	Kabelbaum	Faisceau de câbles	
2	4-38248	1	ST	Plate	Blech	Tôle	
4	4-5422060014	1	ST	Fuse	Sicherung	Fusible	
5	1394753	2	ST	Lock washer	Sicherungsscheibe	Rondelle frein	
6	1394751	4	ST	Lock washer	Sicherungsscheibe	Rondelle frein	
7	4-3002506012	4	ST	Hexagon head screw	6kt-Schraube	Vis à tête hexagonale	
8	4-3002510025	2	ST	Hexagon head screw	6kt-Schraube	Vis à tête hexagonale	
9	1259922	1	ST	Hose clip	Schlauchschelle	Bride pour tuyaux	
10	4-6531013720	2	ST	Plate	Schild	Enseigne	

008-441

Pos	Article	Qty.	Unit	Description	Bezeichnung	Designation	Note
0	4-20214	1	ST	Car radio	Autoradio	Autoradio	
1	4-38637	1	ST	Cable harness	Kabelbaum	Faisceau de câbles	
2	4-38687	1	ST	Car radio	Autoradio	Autoradio	
3	1258676	2	ST	Loudspeaker	Lautsprecher	Haut-parleur	

Pos	Article	Qty.	Unit	Description	Bezeichnung	Designation	Note
0	4-37436	1	ST	Plate	Schild	Enseigne	
1	4-37437	1	ST	Holder	Halter	Support de caisson	
2	1179960	1	ST	Warning triangle	Warndreieck	Triangle d'avertissement	
5	4-3114305020	2	ST	Cyl head screw	Zyl-Schraube	Vis à tête cylindrique	
6	4-3114306025	2	ST	Cyl head screw	Zyl-Schraube	Vis à tête cylindrique	
7	4-3114306028	4	ST	Cyl head screw	Zyl-Schraube	Vis à tête cylindrique	
9	1309926	4	ST	Washer	U-Scheibe	Rondelle	
10	1176243	2	ST	Lock washer	Sicherungsscheibe	Rondelle frein	
11	1394751	6	ST	Lock washer	Sicherungsscheibe	Rondelle frein	

Pos	Article	Qty.	Unit	Description	Bezeichnung	Designation	Note
0	4-324142	1	ST	Accessories	Zubehör	Accessoires	
1	4-322344	1	ST	Key	Schlüssel	Clé	
10	4-5536900003	1	ST	Hose	Schlauch	Tuyau	
11	4-5536620004	1	ST	Pressure plate	Presse	Presse	

Pos	Article	Qty.	Unit	Description	Bezeichnung	Designation	Note
0	4-39432	1	ST	Dozer blade lock	Planierschildsicherung	Sûreté de lame de nivellement	
1	4-318845	2	ST	Safety bolt	Sicherungsbolzen	Goupille de sécurité	
2	4-322701	2	ST	Pull rod	Zugstange	Boulon tirant	
3	4-438038	2	ST	Bolt	Bolzen	Boulon	
7	4-3001505050	2	ST	Hexagon head screw	6kt-Schraube	Vis à tête hexagonale	
8	4-3048500050	2	ST	Hexagon nut	6kt-Mutter	Écrou hexagonal	
9	1176243	4	ST	Lock washer	Sicherungsscheibe	Rondelle frein	
11	4-3172100260	2	ST	Washer	Scheibe	Rondelle	
12	4-3178105036	2	ST	Split-pin	Splint	Goupille	
13	1432916	2	ST	Bumper	Anschlagpuffer	Amortisseur	
15	4-6531012886	2	ST	Symbol	Symbol	Symbole	

Pos	Article	Qty.	Unit	Description	Bezeichnung	Designation	Note
0	1518604	1	ST	Air conditioning system	Klimaanlage	Climatiseur	
1	1271789	1	ST	Air conditioning compressor	Klimakompressor	Compresseur de climatisation	
2	1532826	1	ST	Belt	Riemen	Courroie	

Pos	Article	Qty.	Unit	Description	Bezeichnung	Designation	Note
0	4-40404	1	ST	Tachograph	Tachograph	Tachygraphe	
1	4-39715	1	ST	Cable harness	Kabelbaum	Faisceau de câbles	
2	1586237	1	ST	Tachograph	Tachograph	Tachygraphe	
3	4-5503580115	1	ST	Converter	Wandler	Convertisseur	
4	1586231	1	ST	Adapter	Adapter	Adaptateur	
5	1586227	1	ST	Adapter	Adapter	Adaptateur	

Article	Group No/Pos
4-320230	008-550 - 9
4-320354	002-001 - 17
4-320354	002-003 - 17
4-322344	008-523 - 1
4-322701	008-556 - 2
4-322704	008-550 - 5
4-323995	005-375 - 3
4-324106	003-063 - 12
4-324142	008-523 - 0
4-324201	003-063 - 11
4-433269	005-375 - 6
4-433691	005-381 - 10
4-434002	008-550 - 13
4-434091	008-550 - 12
4-434092	008-550 - 16
4-436622	003-063 - 17
4-436626	003-063 - 13
4-438038	008-556 - 3
4-440840	005-381 - 8
4-442940	005-375 - 4
4-443094	005-375 - 5
4-443182	003-063 - 14
4-444405	008-425-004 - 9
4-444438	006-415 - 1
4-444445	008-413 - 1
4-444445	008-449 - 1
4-699031	002-020 - 1
4-699032	002-020 - 2
4-760231	008-545 - 0
4-760232	008-546 - 0
4-1550303	001-104 - 1
4-1550303	001-104 - 1
4-1550303	001-104 - 1
4-3001505050	008-556 - 7
4-3001508035	008-340 - 66
4-3001508045	001-104 - 121
4-3001508045	001-606 - 10

Article	Group No/Pos
4-3001508045	003-463 - 25
4-3001508045	005-381 - 64
4-3001508050	001-104 - 122
4-3001508050	001-104 - 122
4-3001508050	005-381 - 65
4-3001508050	008-340 - 68
4-3001508055	001-124 - 82
4-3001508060	001-135 - 89
4-3001508090	001-135 - 90
4-3001510050	004-170 - 16
4-3001510055	001-104 - 128
4-3001510060	001-104 - 129
4-3001510060	005-300 - 85
4-3001510065	005-300 - 86
4-3001510065	005-320 - 32
4-3001510065	005-330 - 41
4-3001510090	005-335 - 31
4-3001512040	004-160 - 25
4-3001512040	004-180-001 - 36
4-3001512045	002-030 - 13
4-3001512045	002-031 - 13
4-3001512050	002-010 - 29
4-3001512065	001-104 - 134
4-3001512065	002-001 - 42
4-3001512065	002-003 - 42
4-3001512130	001-104 - 135
4-3001516060	002-010 - 32
4-3001516080	002-001 - 40
4-3001516080	002-003 - 40
4-3001516130	002-001 - 39
4-3001516130	002-003 - 39
4-3001520070	002-001 - 38
4-3001520070	002-003 - 38
4-3001520070	002-030 - 16
4-3001520070	002-031 - 18
4-3001520075	008-550 - 34
4-3001520080	002-010 - 33

Article	Group No/Pos
4-3001520120	008-550 - 35
4-3001520120	008-560 - 5
4-3001520140	008-550 - 36
4-3001524090	002-010 - 35
4-3001524090	003-063 - 40
4-3001714100	003-063 - 38
4-3002505010	001-104 - 111
4-3002505010	006-409-004 - 56
4-3002505010	006-412-003 - 56
4-3002505012	008-443 - 11
4-3002505016	003-487 - 13
4-3002505016	004-180-004 - 10
4-3002505016	006-410 - 21
4-3002505016	008-456 - 6
4-3002505016	008-457 - 6
4-3002505020	008-456 - 8
4-3002505020	008-457 - 8
4-3002505025	006-409-004 - 58
4-3002505025	006-412-003 - 58
4-3002506010	004-172-001 - 5
4-3002506012	004-205 - 26
4-3002506012	008-435 - 7
4-3002506014	001-104 - 112
4-3002506014	006-404 - 57
4-3002506016	004-200 - 31
4-3002506016	004-200 - 31
4-3002506016	006-404 - 58
4-3002506016	008-437 - 20
4-3002506016	008-615 - 15
4-3002506020	001-135 - 82
4-3002506020	001-135-001 - 26
4-3002506020	001-591 - 4
4-3002506020	004-169 - 3
4-3002506020	004-205 - 27
4-3002506020	008-615 - 14
4-3002506025	004-160-001 - 52
4-3002506025	008-456 - 10

Article	Group No/Pos
4-3002506030	001-135 - 83
4-3002506030	004-200 - 30
4-3002506030	004-200 - 30
4-3002506040	004-172 - 16
4-3002508012	008-437 - 22
4-3002508014	001-104 - 116
4-3002508014	001-104 - 116
4-3002508014	006-404 - 59
4-3002508016	003-471 - 5
4-3002508016	004-180-003 - 4
4-3002508016	004-180-004 - 11
4-3002508016	004-207 - 5
4-3002508016	005-381 - 62
4-3002508016	008-437 - 21
4-3002508016	008-456 - 11
4-3002508016	008-457 - 11
4-3002508018	001-134 - 21
4-3002508018	002-001 - 45
4-3002508018	002-003 - 45
4-3002508018	005-360 - 40
4-3002508018	006-410 - 22
4-3002508020	001-104 - 117
4-3002508020	001-134 - 22
4-3002508020	001-590 - 8
4-3002508020	004-206 - 3
4-3002508020	005-300 - 78
4-3002508020	005-381 - 63
4-3002508020	006-404 - 61
4-3002508020	006-404 - 61
4-3002508020	008-437 - 23
4-3002508020	008-550 - 30
4-3002508020	008-615 - 16
4-3002508025	001-124 - 80
4-3002508025	001-135 - 86
4-3002508025	001-135 - 86
4-3002508025	001-135 - 86
4-3002508025	001-590 - 9

CLICK HERE TO **DOWNLOAD** THE COMPLETE MANUAL

- Thank you very much for reading the preview of the manual.
- You can download the complete manual from: www.heydownloads.com by clicking the link below



- Please note: If there is no response to CLICKING the link, please download this PDF first and then click on it.

CLICK HERE TO **DOWNLOAD** THE COMPLETE MANUAL