

0CS10-M40201EN

CLICK HERE TO **DOWNLOAD** THE COMPLETE MANUAL

- Thank you very much for reading the preview of the manual.
- You can download the complete manual from: [www.heydownloads.com](http://www.heydownloads.com) by clicking the link below



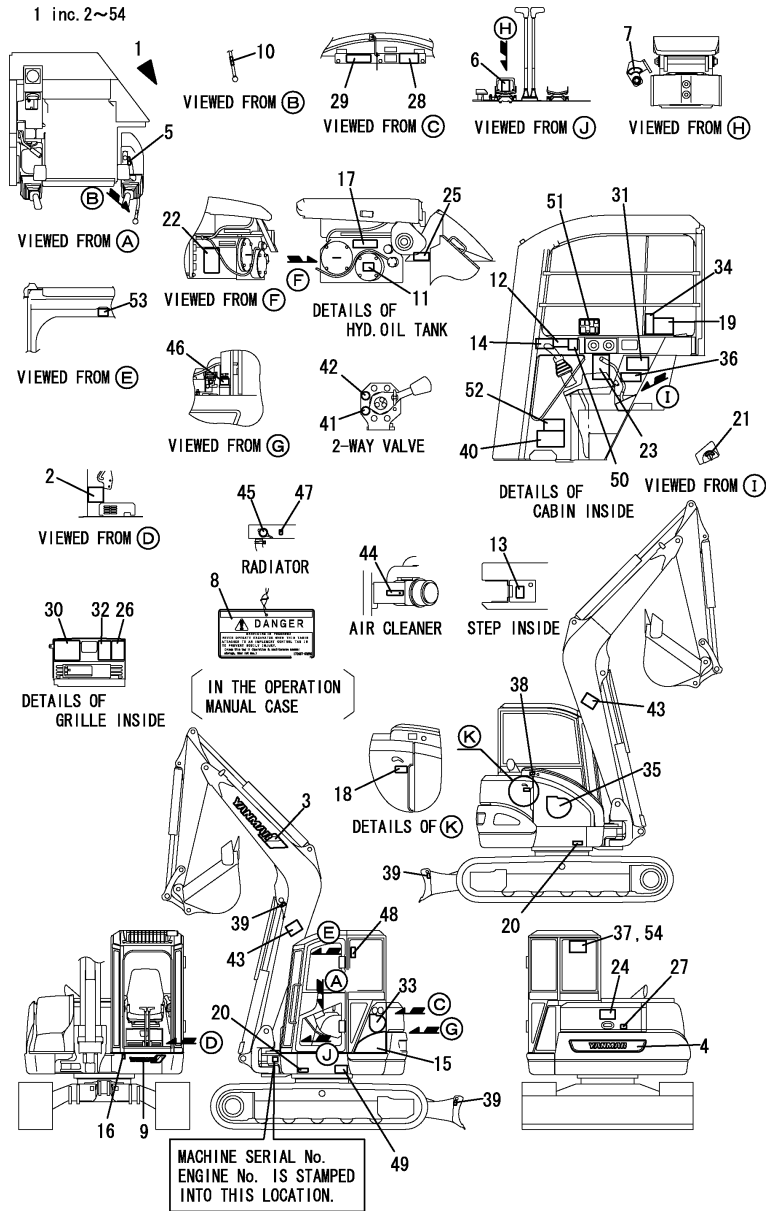
- Please note: If there is no response to CLICKING the link, please download this PDF first and then click on it.

CLICK HERE TO **DOWNLOAD** THE COMPLETE MANUAL

Fig.1. LABEL(CABIN)

(A)=VIO75 C(US)  
(B)=VIO75 C(AS)  
(C)=VIO75 C(NZ)

(D)=VIO75 P(US)  
(E)=VIO75 P(AS)  
(F)=VIO75 P(NZ)



No.	Lev.	Parts No.	Description	Q'ty						I	R
				(A)	(B)	(C)	(D)	(E)	(F)		
1	1	772478-03230	LABEL SET,VIO75(US C	1	1						
1-1	1	772478-03231	LABEL SET,VIO75(US C	1	1	1					N
		(A=M/#00641) (B=M/#00641)									
2	2	172463-03280	LABEL,ADJUST CRAWLER	1	1	1					1
3	2	172187-03160	LABEL, BOOM	1	1	1					
4	2	172478-03160	LABEL,REAR	1	1	1					
5	2	172458-03220	LABEL,ACCELERATOR	1	1	1					
6	2	172165-03231	LABEL, P.T.O.	1	1	1					
7	2	172458-03240	LABEL,LOCK	1	1	1					
8	2	172437-03250	TAG ASSY, CAUTION	1	1	1					
9	2	172524-03271	LABEL	1	1	1					
10	2	172183-03280	LABEL,LOCK	1	1	1					
11	2	172463-03290	LABEL,HYD.OIL US	1	1	1					
12	2	172437-03300	LABEL,MANUAL	1	1						
12-1	2	172448-03600	LABEL,MANUAL US	1	1	1					N
		(A=M/#00541) (B=M/#00541)									
13	2	172438-03300	LABEL	1	1	1					
14	2	172437-03310	LABEL,SLOPE	1	1	1					
15	2	172463-03310	LABEL, MODEL L LW.US	1	1	1					
16	2	172146-03320	LABEL,GREASE E	1	1	1					
17	2	172437-03320	LABEL,HYD.OIL TANK	1	1	1					
18	2	172463-03330	LABEL,COVER	1	1	1					
19	2	172437-03340	LABEL,TRANSPORT	1	1	1					
20	2	172437-03351	LABEL,GREASE CYL.	2	2	2					
21	2	172141-03360	LABEL, START SWITCH	1	1	1					
22	2	172437-03360	LABEL,BATTERY	1	1	1					
23	2	172437-03371	LABEL	1	1	1					
24	2	172437-03380	LABEL,SWING AREA	1	1	1					
25	2	172437-03390	LABEL,RADIATOR	1	1	1					
26	2	172478-03390	LABEL,FUSE US	1	1	1					
27	2	172437-03400	LABEL,ENG.HOOD	1	1	1					
28	2	172437-03410	LABEL,ENG.ROOM	1	1	1					
29	2	172437-03421	LABEL,MUFFLER	1	1	1					
30	2	172478-03420	LABEL,OIL & WATER	1	1	1					
31	2	172437-03431	LABEL,STEERING	1	1	1					
32	2	172478-03430	LABEL,GREASING	1	1	1					
33	2	172478-03440	LABEL,L-US	1	1	1					
34	2	172437-03450	LABEL,SEAT BELT	1	1	1					
35	2	172478-03450	LABEL,R-US	1	1	1					
36	2	172437-03470	LABEL,LEVER LOCK	1	1	1					
37	2	172478-03480	LABEL,LIFTING	1	1						2
37-1	2	172478-03481	LABEL, LIFTING	1	1	1					N 2
		(A=M/#00585) (B=M/#00585)									
38	2	172437-03500	LABEL,FUEL	1	1	1					
39	2	172437-03510	LABEL,HOOK	3	3	3					
40	2	172437-03600	LABEL	1	1	1					
41	2	172437-03610	LABEL	1	1	1					
42	2	172437-03620	LABEL	1	1	1					
43	2	172187-03940	LABEL,BOOM	2	2	2					
44	2	172125-03950	LABEL, AIR CLEANER	1	1	1					
45	2	121120-44800	LABEL, RADIATOR	1	1	1					

Remarks

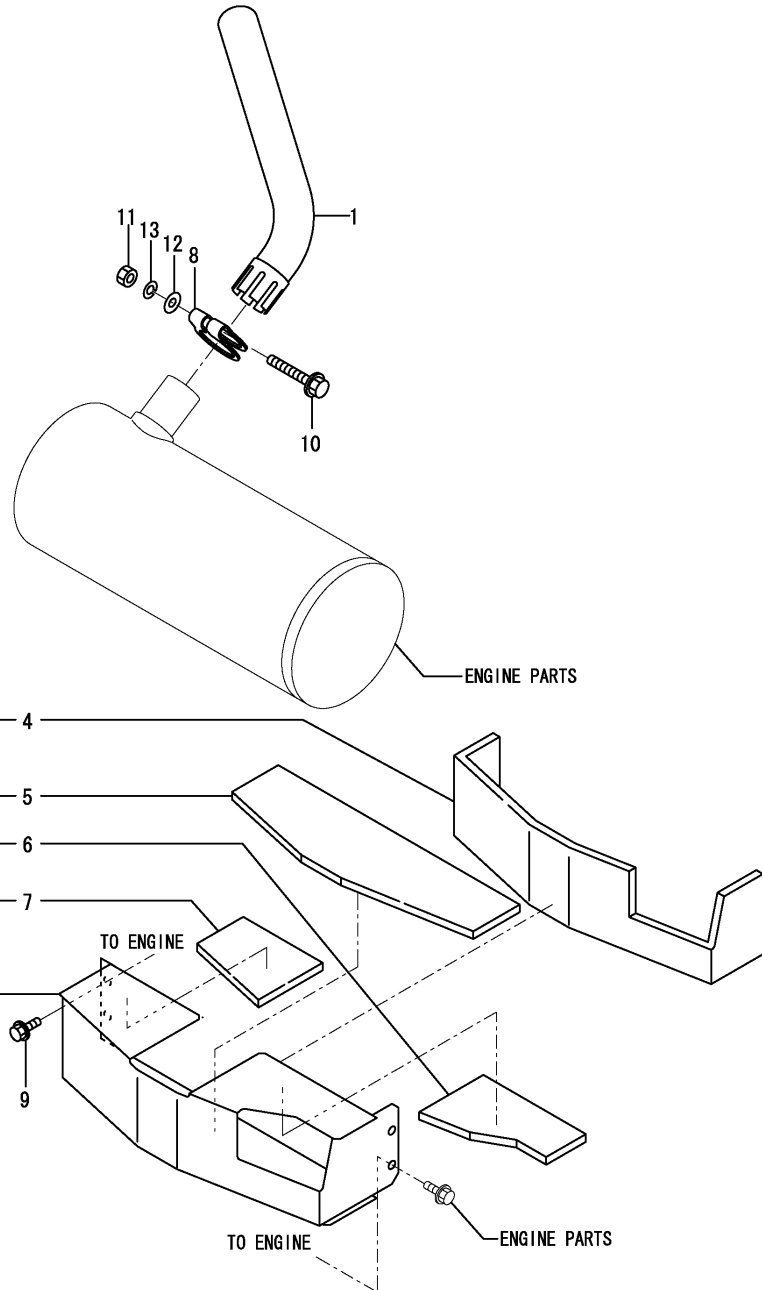
- (1)RUBBER CRAWLER SPEC.
- (2)NOT APPLIED FOR LONG ARM SPEC.
- (3)LONG ARM SPEC.

# Fig.8. MUFFLER

P/C NEWS No: Y00S4021-4  
PUBLISHED: 2007/06

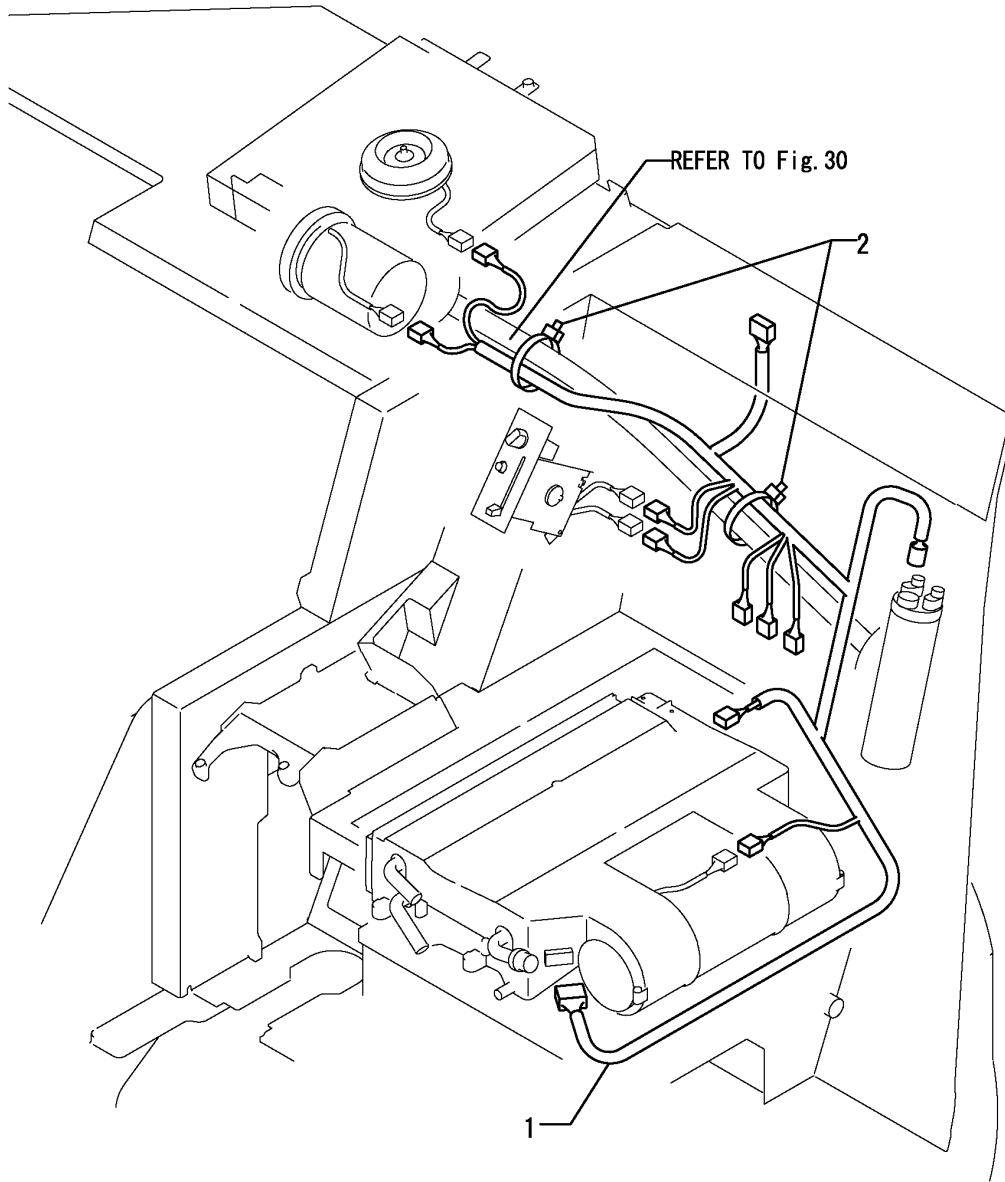
(A)=VIO75 C(US)  
(B)=VIO75 C(AS)  
(C)=VIO75 C(NZ)

(D)=VIO75 P(US)  
(E)=VIO75 P(AS)  
(F)=VIO75 P(NZ)



No.	Lev.	Parts No.	Description	Q'ty						I	R
				(A)	(B)	(C)	(D)	(E)	(F)		
1	1	172478-11300	PIPE, EXHAUST	1	1	1	1	1	1		
1-1	1	172478-11301	PIPE, EXHAUST	1	1	1	1	1	1		N
		(A=XXX) (B=XXX)	(C=XXX) (D=XXX)	(E=XXX) (F=XXX)							
2	1	172478-11500	COVER ASSY, MANIFOLD	1	1	1	1	1	1		
4	2	172478-11520	WOOL, GLASS	1	1	1	1	1	1		
5	2	172478-11530	WOOL, GLASS	1	1	1	1	1	1		
6	2	172478-11540	WOOL, GLASS	1	1	1	1	1	1		
7	2	172478-11550	WOOL, GLASS	1	1	1	1	1	1		
8	1	121120-13580	CLAMP	1	1	1	1	1	1		
8-1	1	172A21-11310	CLAMP	1	1	1	1	1	1		N
		(A=XXX) (B=XXX)	(C=XXX) (D=XXX)	(E=XXX) (F=XXX)							
9	1	172519-63240	BOLT	2	2	2	2	2	2		
10	1	26106-100652	BOLT, M10X 65 PLATED	1	1	1	1	1	1		
11	1	26706-100002	NUT, M10	1	1	1	1	1	1		
12	1	22117-100000	WASHER, 10	1	1	1	1	1	1		
13	1	22217-100000	WASHER, SPRING 10	1	1	1	1	1	1		

Fig.18. ELECTRIC PART(WIRING)(A/C SPEC.)



(A)=VIO75 C(US)  
 (B)=VIO75 C(AS)  
 (C)=VIO75 C(NZ)

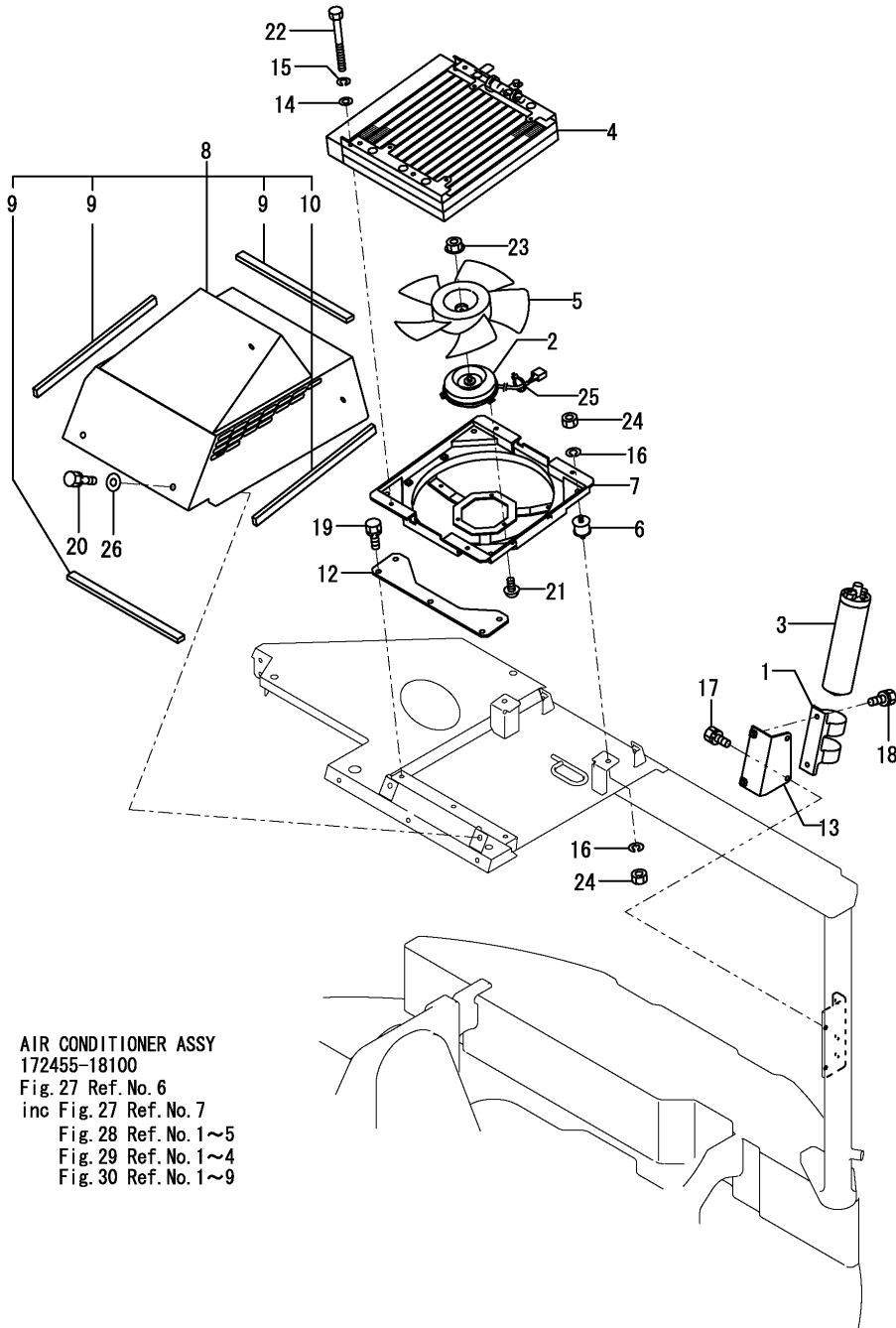
(D)=VIO75 P(US)  
 (E)=VIO75 P(AS)  
 (F)=VIO75 P(NZ)

No.	Lev.	Parts No.	Description	Q'ty						I	R
				(A)	(B)	(C)	(D)	(E)	(F)		
1	1	172455-16600	HARNES, AIR CON.	1	1	1					
2	1	933152-09280	BAND 170	2	2	2					

Fig.28. AIR CONDITIONER(CONDENSER RELATED)

(A)=VIO75 C(US)  
 (B)=VIO75 C(AS)  
 (C)=VIO75 C(NZ)

(D)=VIO75 P(US)  
 (E)=VIO75 P(AS)  
 (F)=VIO75 P(NZ)



No.	Lev.	Parts No.	Description	Q'ty						I	R
				(A)	(B)	(C)	(D)	(E)	(F)		
1	2	172162-18040	BRACKET	1	1	1					
2	2	172164-18080	MOTOR	1	1	1					
3	2	172187-18110	DRIER ASSY, RECEIVER	1	1	1					
4	2	172164-18780	CONDENSER	1	1	1					
5	2	172164-18790	FAN	1	1	1					
6	1	172122-13310	MOUNT, RADIATOR	4	4	4					
7	1	172455-18290	COVER ASSY, FAN	1	1	1					
8	1	172455-18331-1	COVER ASSY	1	1	1					
9	2	172455-18340	SEAL	3	3	3					
10	2	172455-18350	SEAL	1	1	1					
12	1	172455-18500	PLATE, COND.	1	1	1					
13	1	172455-18940	BRACKET, R/D	1	1	1					
14	1	22137-060000	WASHER, 6	4	4	4					
15	1	22217-060000	WASHER, SPRING 6	4	4	4					
16	1	22217-080000	WASHER, SPRING 8	8	8	8					
17	1	26013-080122	BOLT, M8X 12	2	2	2					
18	1	26013-080202	BOLT, M8X 20	2	2	2					
19	1	26013-080202	BOLT, M8X 20	3	3	3					
20	1	26013-100202	BOLT, M10X 20	4	4	4					
21	1	26023-050122	SCREW, M5X12	3	3	3					
22	1	26116-060602	BOLT, M6X 60 PLATED	4	4	4					
23	1	26367-050002	NUT, M5	1	1	1					
24	1	26716-080002	NUT, M8	8	8	8					
25	1	933152-09280	BAND 170	2	2	2					
26	1	22137-100000	WASHER, 10	4	4	4					W

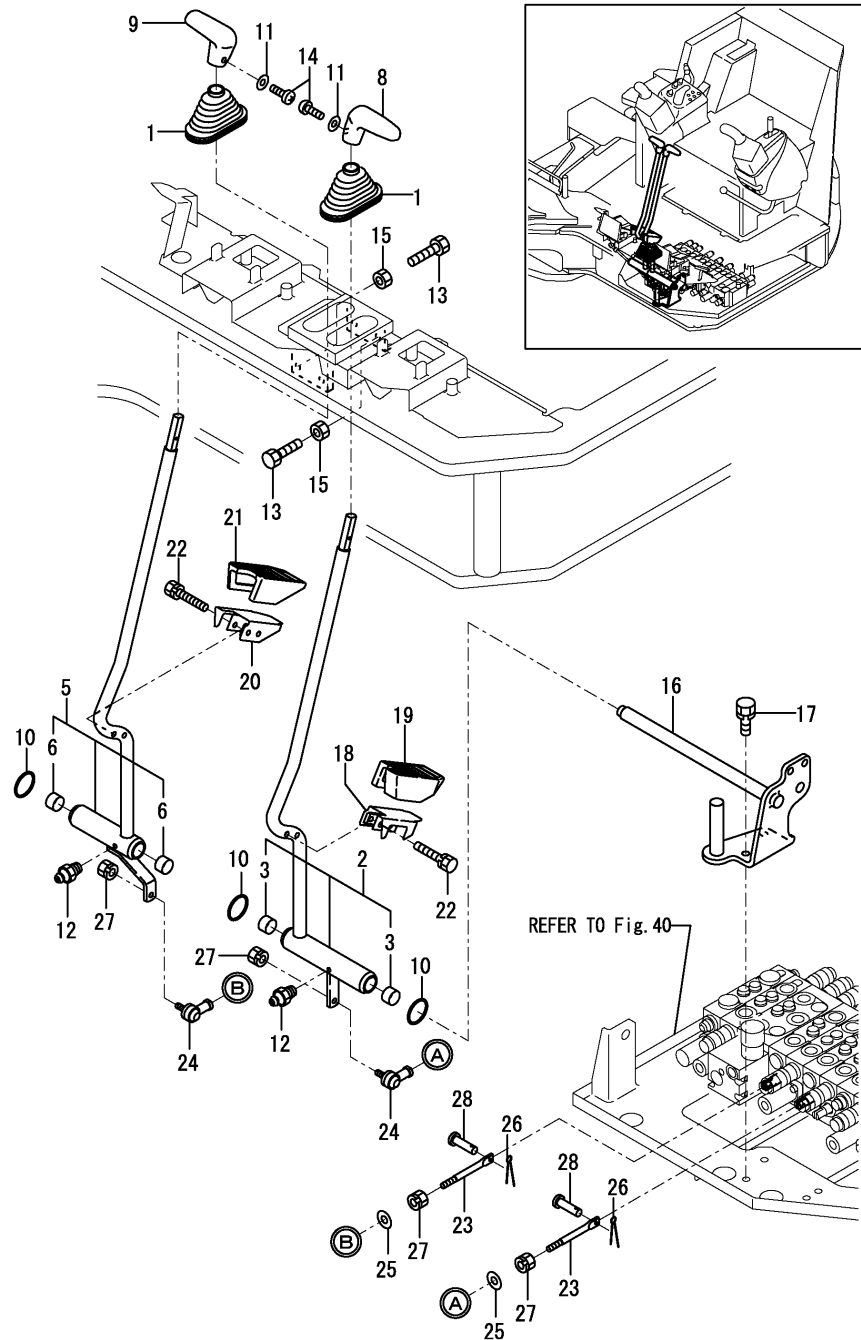
(A)=M/#00719 (B)=M/#00719

AIR CONDITIONER ASSY  
 172455-18100  
 Fig. 27 Ref. No. 6  
 inc Fig. 27 Ref. No. 7  
 Fig. 28 Ref. No. 1~5  
 Fig. 29 Ref. No. 1~4  
 Fig. 30 Ref. No. 1~9

Fig.35. CONTROL EQUIPMENT(TRAVEL)

(A)=VIO75 C(US)  
 (B)=VIO75 C(AS)  
 (C)=VIO75 C(NZ)

(D)=VIO75 P(US)  
 (E)=VIO75 P(AS)  
 (F)=VIO75 P(NZ)

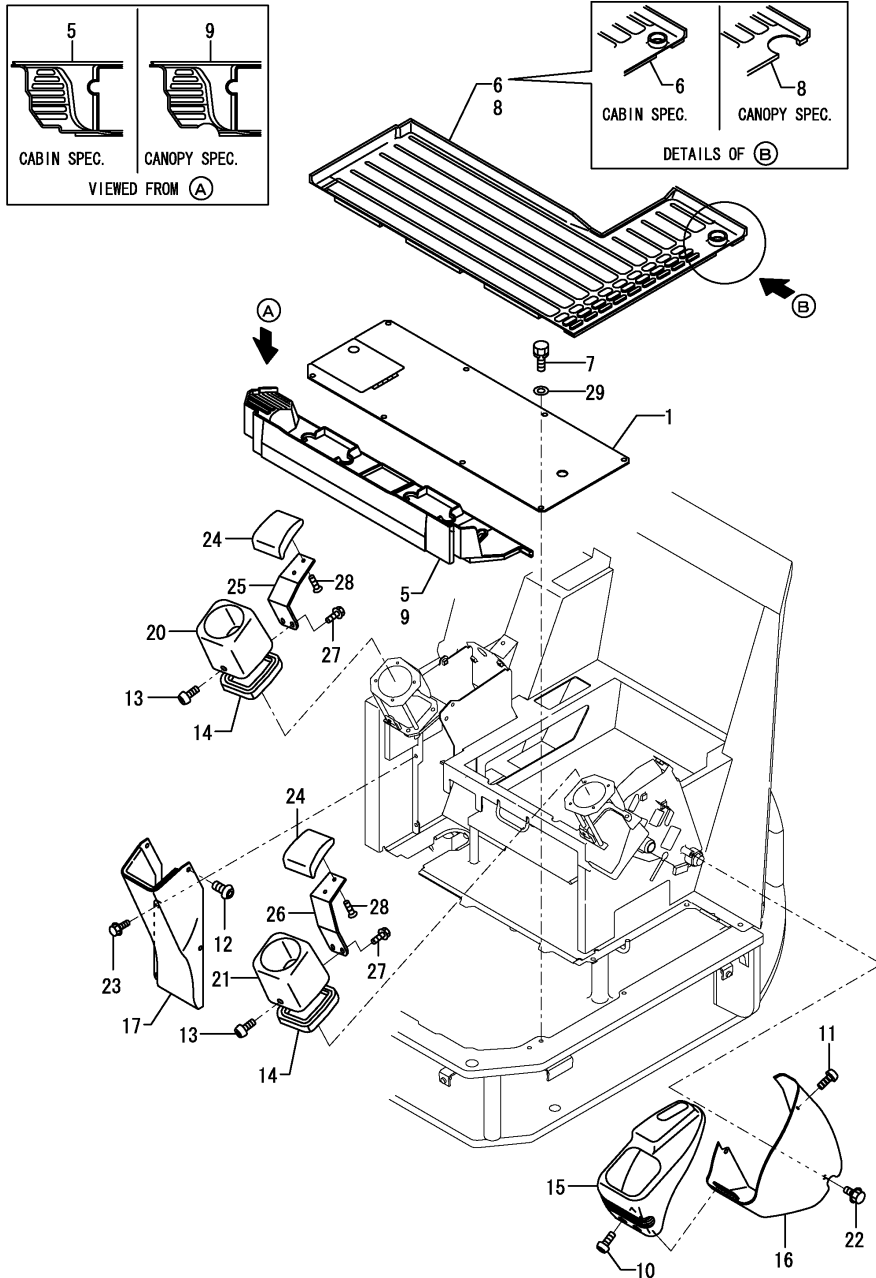


No.	Lev.	Parts No.	Description	Q'ty						I	R
				(A)	(B)	(C)	(D)	(E)	(F)		
1	1	172141-41340	BOOTS	2	2	2	2	2	2		
2	1	172455-45101	LEVER L,TRACK (72)	1	1	1	1	1	1		
3	2	172141-41370	BUSH 2015	2	2	2	2	2	2		
5	1	172455-45131	LEVER R,TRACK (72)	1	1	1	1	1	1		
6	2	172141-41370	BUSH 2015	2	2	2	2	2	2		
8	1	172187-45870	GRIP, DRIVE	1	1	1	1	1	1		
9	1	172187-45880	GRIP, DRIVE	1	1	1	1	1	1		
10	1	172124-46200	O-RING	3	3	3	3	3	3		
11	1	22117-040000	WASHER, 4	2	2	2	2	2	2		
12	1	24761-020000	NIPPLE, GREASE PT1/8	2	2	2	2	2	2		
13	1	26116-100504	BOLT, M10X 50 PLATED	4	4	4	4	4	4		
14	1	26587-040122	SCREW, M4X12	2	2	2	2	2	2		
15	1	26716-100002	NUT, M10	4	4	4	4	4	4		
16	1	172455-45151	SHAFT ASSY, TRACK	1	1	1	1	1	1		
17	1	26013-100252	BOLT, M10X 25	2	2	2	2	2	2		
18	1	172187-45220-1	PEDALL CMP (GRAY:72)	1	1	1	1	1	1		
19	1	172187-45250	PEDAL PAD L	1	1	1	1	1	1		
20	1	172187-45260-1	PEDAL R CMP(GRAY:72)	1	1	1	1	1	1		
21	1	172187-45280	PEDAL PAD R	1	1	1	1	1	1		
22	1	26013-060302	BOLT, M6X 30	4	4	4	4	4	4		
23	1	172162-46210	ROD 98.5	2	2	2	2	2	2		
24	1	172122-46590	ELBOW	2	2	2	2	2	2		
25	1	22137-080000	WASHER, 8	2	2	2	2	2	2		
26	1	22417-160160	PIN, COTTER 1.6X16	2	2	2	2	2	2		
27	1	26051-080002	NUT, M8	4	4	4	4	4	4		
28	1	933110-54100	PIN 4.75X14	2	2	2	2	2	2		

Fig.45. STEP & INSTRUMENT PANEL

(A)=VIO75 C(US)  
 (B)=VIO75 C(AS)  
 (C)=VIO75 C(NZ)

(D)=VIO75 P(US)  
 (E)=VIO75 P(AS)  
 (F)=VIO75 P(NZ)



No.	Lev.	Parts No.	Description	Q'ty						I	R
				(A)	(B)	(C)	(D)	(E)	(F)		
1	1	172463-62101	STEP	1	1	1	1	1	1		
5	1	172478-62160	MAT, FLOOR	1	1	1					
6	1	172455-62170	MAT, FLOOR	1	1	1					
7	1	26013-100202	BOLT, M10X 20	8	8	8	8	8	8		
8	1	172478-62170	FLOOR MAT A				1	1	1		
9	1	172478-62180	MAT B,CANOPY				1	1	1		
10	1	172458-46720	BOLT	3	3	3	3	3	3		
11	1	172458-46720	BOLT	1	1	1	1	1	1		
12	1	172458-46720	BOLT	1	1	1	1	1	1		
13	1	172458-46720	BOLT	2	2	2	2	2	2		
14	1	172162-62540	SEAL, STEP	2	2	2	2	2	2		
15	1	172458-63100	PANEL, INSTRUMENT	1	1	1	1	1	1		
16	1	172458-63120	PANEL, INSTRUMENT	1	1	1	1	1	1		
17	1	172478-63200	COVER ASSY	1	1	1	1	1	1		
20	1	172472-63210	COVER	1	1	1	1	1	1		
21	1	172472-63220	COVER	1	1	1	1	1	1		
22	1	172519-63240	BOLT	2	2	2	2	2	2		
23	1	172519-63240	BOLT	3	3	3	3	3	3		
24	1	172441-44320	ARMREST	2	2	2	2	2	2		
25	1	172472-64531-1	PLATE, ARMREST	1	1	1	1	1	1		
26	1	172472-64541-1	PLATE, ARMREST	1	1	1	1	1	1		
27	1	172165-66980	BOLT	4	4	4	4	4	4		
28	1	26577-080122	SCREW, M8X12	4	4	4	4	4	4		
29	1	22137-100000	WASHER, 10	8	8	8	8	8	8	W	

(A)=MXXXXX (B)=MXXXXX (C)=MXXXXX (D)=MXXXXX (E)=MXXXXX (F)=MXXXXX

CLICK HERE TO **DOWNLOAD** THE COMPLETE MANUAL

- Thank you very much for reading the preview of the manual.
- You can download the complete manual from: [www.heydownloads.com](http://www.heydownloads.com) by clicking the link below



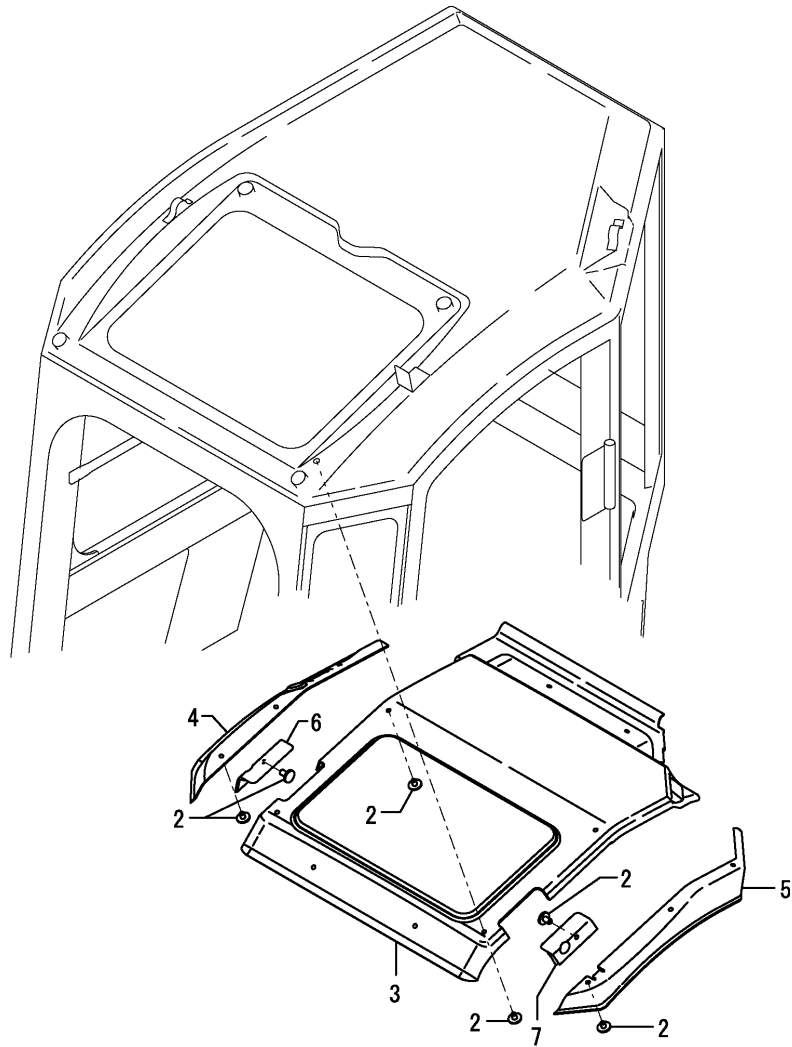
- Please note: If there is no response to CLICKING the link, please download this PDF first and then click on it.

CLICK HERE TO **DOWNLOAD** THE COMPLETE MANUAL

Fig.53. CABIN(ROOF PAD)

(A)=VIO75 C(US)  
 (B)=VIO75 C(AS)  
 (C)=VIO75 C(NZ)

(D)=VIO75 P(US)  
 (E)=VIO75 P(AS)  
 (F)=VIO75 P(NZ)



No.	Lev.	Parts No.	Description	Q'ty						I	R
				(A)	(B)	(C)	(D)	(E)	(F)		
1	2	172463-68730	PAD GP	1	1	1					
2	3	172455-67550	CLIP	17	17	17					
3	3	172463-68910	PAD ROOF,CTR	1	1	1					
4	3	172463-68920	PAD ROOF,RH	1	1	1					
5	3	172463-68930	PAD ROOF,LH	1	1	1					
6	3	172463-68940	PAD ROOF,RH-CTR	1	1	1					
7	3	172463-68950	PAD ROOF,LH-CTR	1	1	1					

CABIN ASSY  
 172478-68800

Fig. 51 REF. NO. 4

INC. Fig. 51 REF. NO. 5

INC. Fig. 52 REF. NO. 1

INC. Fig. 53 REF. NO. 1

INC. Fig. 54 REF. NO. 1

INC. Fig. 55 REF. NO. 1, 18

INC. Fig. 56 REF. NO. 1

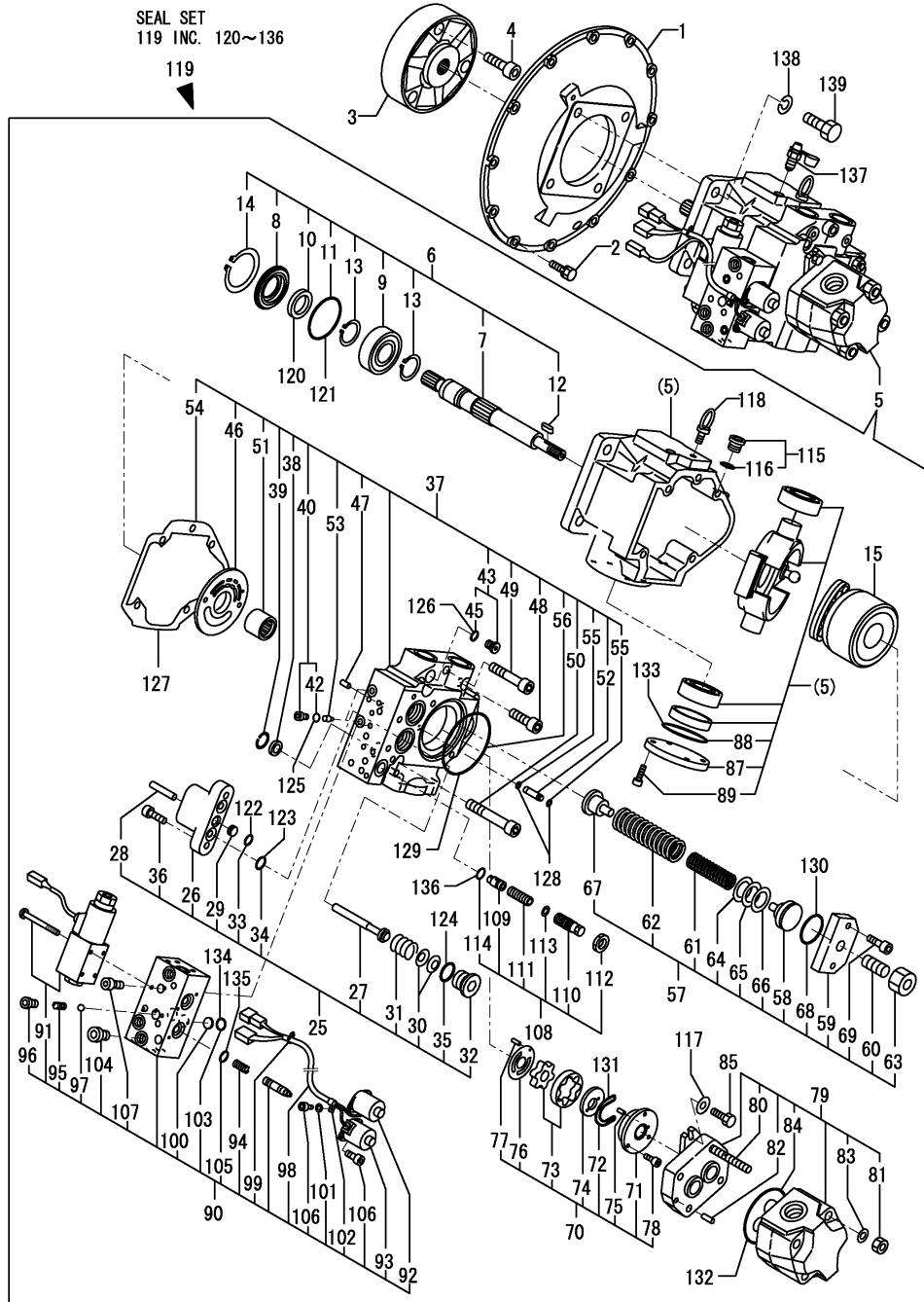
INC. Fig. 57 REF. NO. 1

1  
 1 INC. 2~7

Fig.60. HYD.OIL PUMP & JOINT(QUICK COUPLER SPEC.)

(A)=VIO75 C(US)  
(B)=VIO75 C(AS)  
(C)=VIO75 C(NZ)

(D)=VIO75 P(US)  
(E)=VIO75 P(AS)  
(F)=VIO75 P(NZ)

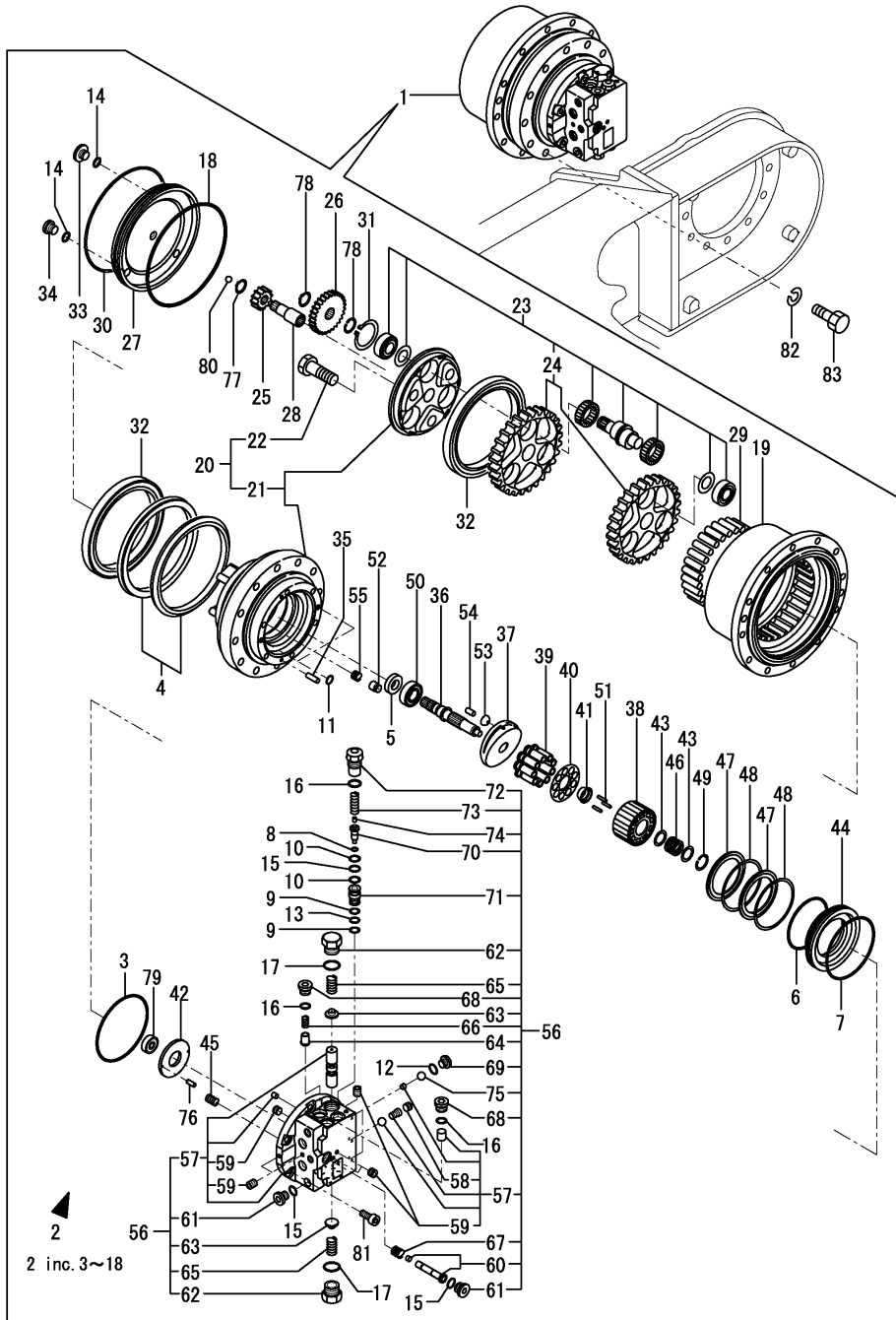


No.	Lev.	Parts No.	Description	Q'ty						I	R
				(A)	(B)	(C)	(D)	(E)	(F)		
		(A=MXXXXX) (B=MXXXXX) (C=MXXXXX)									
62	3	172187-75740	SPRING	1	1	1					
63	3	172187-75750	NUT	1	1	1					
64	3	172187-75760	SHIM	1	1	1					
65	3	172187-75770	SHIM	1	1	1					
66	3	172187-75780	SHIM	1	1	1					
67	3	172187-75980	SEAT, SPRING	1	1	1					
68	3	24311-000440	O-RING, 1AP44.0	1	1	1					
69	3	26450-100302	BOLT, M10X 30	2	2	2					
70	2	172478-73160	TROCHOID PUMP	1	1	1					
71	3	172478-73170	CASE	1	1	1					
72	3	172478-73180	O-RING	1	1	1					
73	3	172187-75850	GEAR	1	1	1					
74	3	172187-75870	PLATE A ,SIDE	1	1	1					
75	3	172187-75890	PIN,SPRING	1	1	1					
76	3	172187-75910	PLATE B ,SIDE	1	1	1					
77	3	172187-75920	PIN,SPRING	1	1	1					
78	3	26450-050122	BOLT, M5X 12	3	3	3					
79	2	172187-73170	PUMP, GEAR	1	1	1					
80	3	172187-75930	BOLT 14X104, STUD	4	4	4					
81	3	172187-75940	NUT	4	4	4					
82	3	172187-75950	PIN, 8X54	2	2	2					
83	3	172187-75960	WASHER	4	4	4					
84	3	24325-000900	O-RING, 1BG90.0	1	1	1					
85	2	172187-73190	BOLT M10X 25	2	2	2					
87	3	172187-75970	COVER	1	1	1					
88	3	24321-000750	O-RING, 1AG75.0	1	1	1					
89	3	26450-080222	BOLT, M8X 22	4	4	4					
90	2	172956-73110	VALVE ASSY	1	1	1					
91	3	172956-73120	VALVE, SOLENOID	1	1	1					
92	3	172456-73580	SOLENOID (A	1	1	1					
92-1	3	172989-73160	SOLENOID (A	1	1	1					R
		(A=MXXXXX) (B=MXXXXX) (C=MXXXXX)									
93	3	172456-73590	SOLENOID (B	1	1	1					
93-1	3	172989-73150	SOLENOID (B	1	1	1					R
		(A=MXXXXX) (B=MXXXXX) (C=MXXXXX)									
94	3	172456-73870	SPRING	2	2	2					
95	3	172456-73880	SPRING	1	1	1					
96	3	172456-73890	PLUG ASSY	1	1	1					
97	3	172456-73900	BALL, STEEL	1	1	1					
98	3	172456-73910	COVER	1	1	1					
99	3	172456-73920	BAND	2	2	2					
100	3	172456-73930	ELEMENT, FILTER	1	1	1					
101	3	172456-73940	WASHER	1	1	1					
102	3	172456-73950	CLAMP	1	1	1					
103	3	172456-73960	O-RING	2	2	2					
104	3	172456-73970	PLUG ASSY	1	1	1					
105	3	24311-000160	O-RING, 1AP16.0	2	2	2					
106	3	26450-040102	BOLT, M4X 10	5	5	5					
107	3	26450-080302	BOLT, M8X 30	2	2	2					
108	2	172164-73470	VALVE ASSY, RELIEF	1	1	1					

Fig.69. TRAVEL MOTOR

(A)=VIO75 C(US)  
(B)=VIO75 C(AS)  
(C)=VIO75 C(NZ)

(D)=VIO75 P(US)  
(E)=VIO75 P(AS)  
(F)=VIO75 P(NZ)

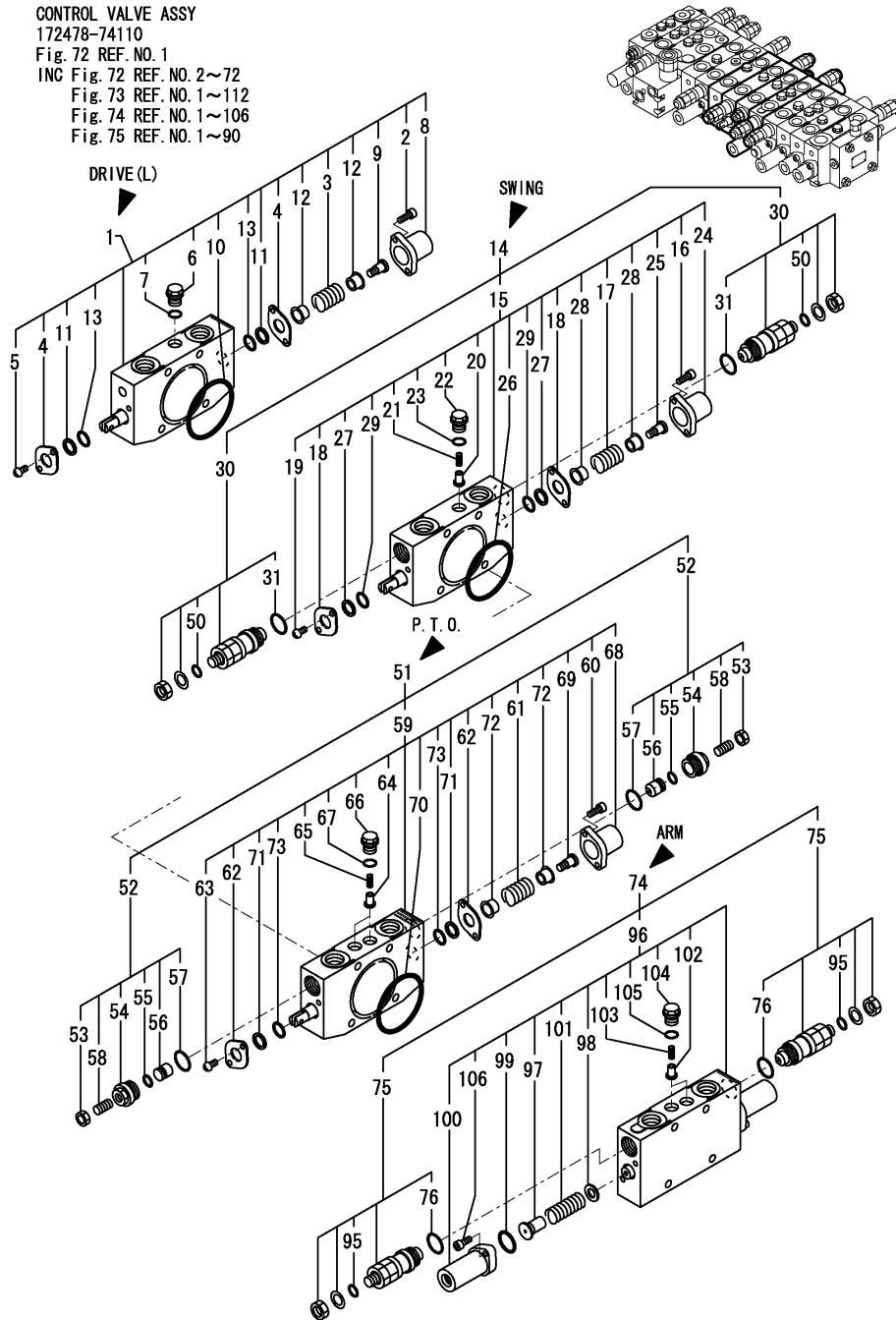


No.	Lev.	Parts No.	Description	Q'ty						I	R
				(A)	(B)	(C)	(D)	(E)	(F)		
1	1	172479-73300	MOTOR ASSY,DRIVE	2	2	2	2	2	2		
2	2	172479-73010	SEAL SET	2	2	2	2	2	2		
3	3	172479-73450	O-RING	2	2	2	2	2	2		
4	3	172479-73460	SEAL SET, FLOATING	2	2	2	2	2	2		
5	3	172479-73630	SEAL, OIL	2	2	2	2	2	2		
6	3	172479-73640	O-RING	2	2	2	2	2	2		
7	3	172479-73650	O-RING	2	2	2	2	2	2		
8	3	172479-73910	SEAL, PISTON	4	4	4	4	4	4		
9	3	172479-73920	BACK UP RING	8	8	8	8	8	8		
10	3	172479-73930	BACK UP RING	8	8	8	8	8	8		
11	3	24315-000080	O-RING, 1BP8.0	4	4	4	4	4	4		
12	3	24315-000080	O-RING, 1BP8.0	4	4	4	4	4	4		
13	3	24315-000120	O-RING, 1BP12.0	4	4	4	4	4	4		
14	3	24315-000140	O-RING, 1BP14.0	6	6	6	6	6	6		
15	3	24315-000140	O-RING, 1BP14.0	8	8	8	8	8	8		
16	3	24315-000180	O-RING, 1BP18.0	12	12	12	12	12	12		
17	3	24315-000260	O-RING, 1BP26.0	4	4	4	4	4	4		
18	3	24321-002300	O-RING, 1AG230.0	2	2	2	2	2	2		
19	2	172479-73310	HUB	2	2	2	2	2	2		
20	2	172479-73320	SPINDLE KIT	2	2	2	2	2	2		
21	3	172479-73330	SPINDLE ASSY	2	2	2	2	2	2		
22	3	172479-73340	BOLT	6	6	6	6	6	6		
23	2	172479-73350	GEAR	2	2	2	2	2	2		
24	3	172479-73360	GEAR KIT	2	2	2	2	2	2		
25	2	172479-73370	GEAR, INPUT	2	2	2	2	2	2		
26	2	172479-73380	GEAR KIT, SPAR	2	2	2	2	2	2		
27	2	172479-73390	COVER	2	2	2	2	2	2		
28	2	172479-73400	COUPLING	2	2	2	2	2	2		
29	2	172479-73410	PIN	56	56	56	56	56	56		
30	2	172479-73420	RING	2	2	2	2	2	2		
31	2	172479-73430	SNAP RING	6	6	6	6	6	6		
32	2	172479-73440	BEARING	4	4	4	4	4	4		
33	2	172479-73470	NUT	2	2	2	2	2	2		
34	2	172479-73480	PLUG	4	4	4	4	4	4		
35	2	172479-73490	PIN,STRAIGHT	4	4	4	4	4	4		
36	2	172479-73500	SHAFT	2	2	2	2	2	2		
37	2	172479-73510	SWASH PLATE	2	2	2	2	2	2		
38	2	172479-73520	CYLINDER BLOCK	2	2	2	2	2	2		
39	2	172479-73530	PISTON KIT	2	2	2	2	2	2		
40	2	172479-73540	RETAINER PLATE	2	2	2	2	2	2		
41	2	172479-73550	THRUST BALL	2	2	2	2	2	2		
42	2	172479-73560	ROD, TIE	2	2	2	2	2	2		
43	2	172479-73570	WASHER	4	4	4	4	4	4		
44	2	172479-73580	PISTON	2	2	2	2	2	2		
45	2	172479-73590	SPRING	16	16	16	16	16	16		
46	2	172479-73600	SPRING	2	2	2	2	2	2		
47	2	172479-73610	PLATE, FRICTION	4	4	4	4	4	4		
48	2	172479-73620	PLATE	4	4	4	4	4	4		
49	2	172479-73660	CLIP	2	2	2	2	2	2		
50	2	172479-73670	BEARING	2	2	2	2	2	2		
51	2	172479-73680	BEARING	6	6	6	6	6	6		

Fig.74. CONTROL VALVE(3/4)

(A)=VIO75 C(US)  
 (B)=VIO75 C(AS)  
 (C)=VIO75 C(NZ)

(D)=VIO75 P(US)  
 (E)=VIO75 P(AS)  
 (F)=VIO75 P(NZ)

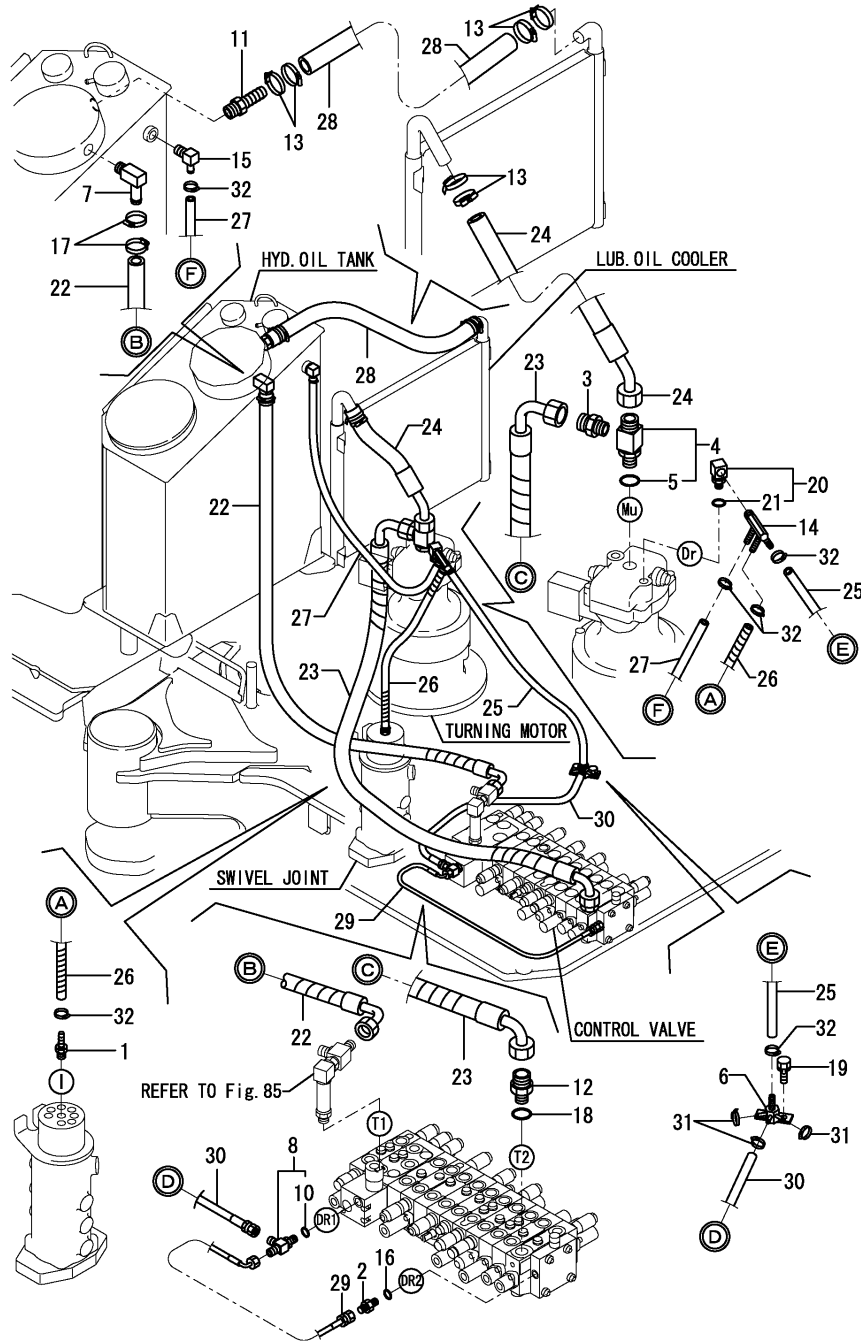


No.	Lev.	Parts No.	Description	Q'ty						I	R
				(A)	(B)	(C)	(D)	(E)	(F)		
70	4	24321-000700	O-RING, 1AG70.0	1	1	1	1	1	1		
71	4	933166-80520	WIPER	2	2	2	2	2	2		
72	4	933171-80510	SEAT, SPRING	2	2	2	2	2	2		
73	4	933171-80610	O-RING	2	2	2	2	2	2		
74	2	172478-74620	SECTION ASSY, ARM	1	1	1	1	1	1		
75	3	172478-74400	VALVE,RELIEF 280/40	2	2	2	2	2	2		
76	4	172116-74150	O-RING	2	2	2	2	2	2		
95	4	24315-000100	O-RING, 1BP10.0	2	2	2	2	2	2		
96	3	172478-74490	SECTION, ARM	1	1	1	1	1	1		
97	4	172478-74180	SEAT, SPRING	2	2	2	2	2	2		
98	4	172175-74220	SEAT, SPRING	2	2	2	2	2	2		
99	4	172151-74320	O-RING	2	2	2	2	2	2		
100	4	172455-74390	CAP	2	2	2	2	2	2		
101	4	172455-74410	SPRING	2	2	2	2	2	2		
102	4	172455-74420	POPPET	2	2	2	2	2	2		
103	4	172455-74440	SPRING	2	2	2	2	2	2		
104	4	172455-74450	PLUG	2	2	2	2	2	2		
105	4	172455-74460	O-RING	2	2	2	2	2	2		
106	4	172151-74060	BOLT, SOCKET HEAD	4	4	4	4	4	4		

Fig.83. HYD.OIL PIPING(RETURN:1)

(A)=VIO75 C(US)  
 (B)=VIO75 C(AS)  
 (C)=VIO75 C(NZ)

(D)=VIO75 P(US)  
 (E)=VIO75 P(AS)  
 (F)=VIO75 P(NZ)

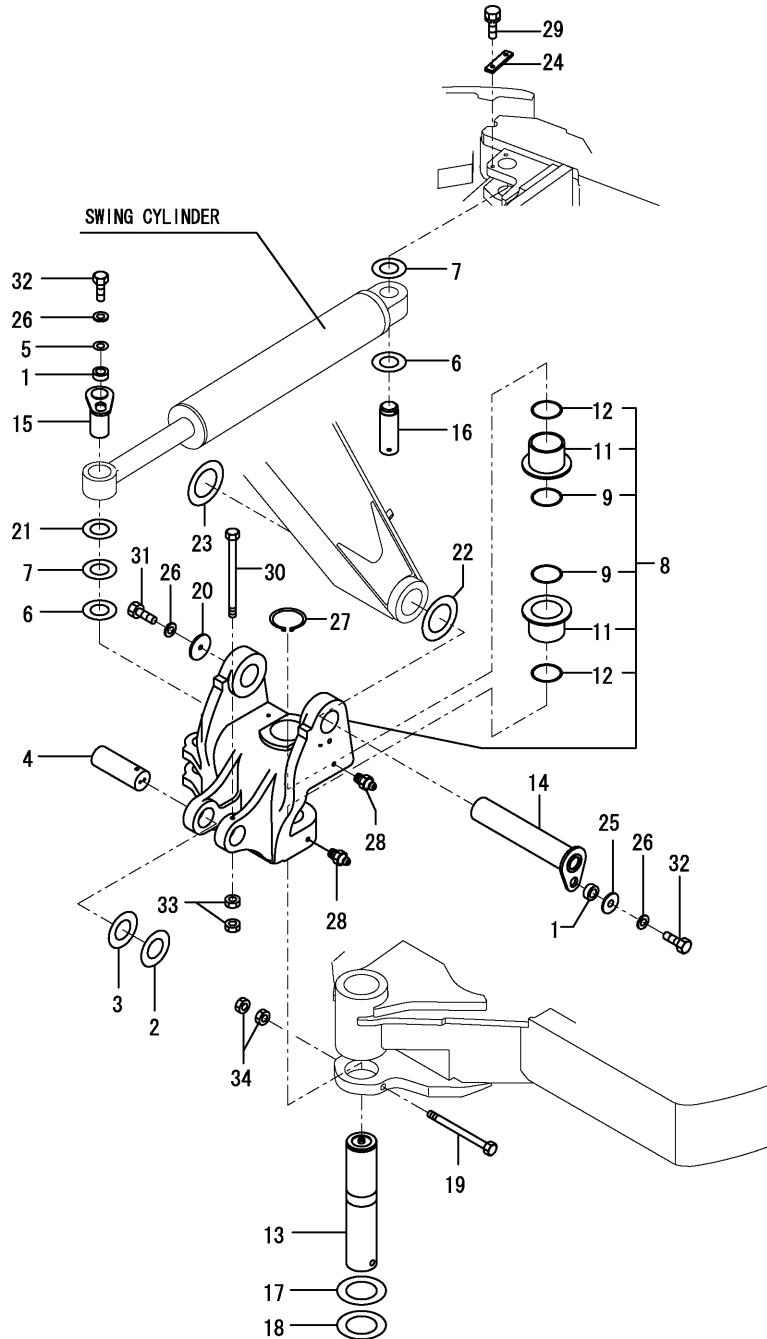


No.	Lev.	Parts No.	Description	Q'ty						I	R
				(A)	(B)	(C)	(D)	(E)	(F)		
1	1	172137-76110	NIPPLE	1	1	1	1	1	1		
2	1	172123-76121	ADAPTER	1	1	1	1	1	1		
3	1	172187-76131	CONNECTOR, PF3/4	1	1	1	1	1	1		
4	1	172187-76141	CONNECTOR, PF1XPF3/4	1	1	1	1	1	1		
5	2	24315-000240	O-RING, 1BP24.0	1	1	1	1	1	1		
6	1	172187-76160	JOINT	1	1	1	1	1	1		
7	1	172455-76160	ELBOW	1	1	1	1	1	1		
8	1	172162-76180	JOINT ASSY, 3-1/4	1	1	1	1	1	1		
10	2	24315-000110	O-RING, 1BP11.0	1	1	1	1	1	1		
11	1	172187-76180	NIPPLE, HOSE	1	1	1	1	1	1		
12	1	172151-76200	JOINT	1	1	1	1	1	1		
13	1	23001-041000	CLAMP, HOSE 41	6	6	6	6	6	6		
14	1	172455-76240	JOINT	1	1	1	1	1	1		
15	1	172168-76370	ELBOW	1	1	1	1	1	1		
16	1	24315-000110	O-RING, 1BP11.0	1	1	1	1	1	1		
17	1	23001-035000	CLAMP, HOSE 35	2	2	2	2	2	2		
18	1	24315-000240	O-RING, 1BP24.0	1	1	1	1	1	1		
19	1	26013-100202	BOLT, M10X 20	2	2	2	2	2	2		
20	1	933111-50001	CONNECTOR	1	1	1	1	1	1		
21	2	24315-000140	O-RING, 1BP14.0	1	1	1	1	1	1		
22	1	172455-78160	HOSE	1	1	1	1	1	1		
23	1	172455-78330	HOSE	1	1	1	1	1	1		
24	1	172455-78340	HOSE	1	1	1	1	1	1		
25	1	172455-78350	HOSE	1	1	1	1	1	1		
26	1	172455-78360	HOSE	1	1	1	1	1	1		
27	1	172455-78370	HOSE	1	1	1	1	1	1		
28	1	172455-78380	HOSE	1	1	1	1	1	1		
29	1	172478-78630	HOSE	1	1	1	1	1	1		
30	1	172455-78730	HOSE	1	1	1	1	1	1		
31	1	23000-013000	CLAMP, 13	3	3	3	3	3	3		
32	1	23001-016000	CLAMP, HOSE 16	6	6	6	6	6	6		

Fig.93. BOOM BRACKET

(A)=VIO75 C(US)  
 (B)=VIO75 C(AS)  
 (C)=VIO75 C(NZ)

(D)=VIO75 P(US)  
 (E)=VIO75 P(AS)  
 (F)=VIO75 P(NZ)



No.	Lev.	Parts No.	Description	Q'ty						I	R
				(A)	(B)	(C)	(D)	(E)	(F)		
1	1	172155-45790	SPACER	2	2	2	2	2	2		
2	1	172176-81700	SHIM	1	1	1	1	1	1		
3	1	172176-81710	SHIM	1	1	1	1	1	1		
4	1	172187-81800	PIN 70X200	1	1	1	1	1	1		
5	1	172187-81970	WASHER	1	1	1	1	1	1		
6	1	172147-82230	SHIM, 60X110X1.2	4	4	4	4	4	4		
7	1	172147-82250	SHIM, 60X110X0.5	4	4	4	4	4	4		
8	1	172187-82300-1	BRACKET,BOOM (87)	1	1	1	1	1	1		
9	2	172162-81680	SEAL, DUST	2	2	2	2	2	2		
11	2	172187-82320	BUSH 100X90	2	2	2	2	2	2		
12	2	24321-001000	O-RING, 1AG100.0	2	2	2	2	2	2		
13	1	172187-82330	PIN 100X487	1	1	1	1	1	1		
14	1	172187-82340	PIN 80X435	1	1	1	1	1	1		
15	1	172187-82370	PIN 60X144	1	1	1	1	1	1		
16	1	172187-82390	PIN 60X155	1	1	1	1	1	1		
17	1	172187-82400	SHIM	1	1	1	1	1	1		
18	1	172187-82410	SHIM	1	1	1	1	1	1		
19	1	172187-82420	BOLT 18X230	1	1	1	1	1	1		
20	1	172187-82430	WASHER 15X90X6	1	1	1	1	1	1		
21	1	172187-82450	SHIM, 61X110X3.2	1	1	1	1	1	1		
22	1	172162-83600	SHIM	1	1	1	1	1	1		
23	1	172162-83610	SHIM	1	1	1	1	1	1		
24	1	172162-94280	PLATE,LOCK(GREEN:88)	1	1	1	1	1	1		
25	1	22157-140000	WASHER, 14	1	1	1	1	1	1		
26	1	22217-140000	WASHER, SPRING 14	3	3	3	3	3	3		
27	1	22242-001000	RING, 100	1	1	1	1	1	1		
28	1	24761-020000	NIPPLE, GREASE PT1/8	2	2	2	2	2	2		
29	1	26013-120302	BOLT, M12X 30	2	2	2	2	2	2		
30	1	26116-121402	BOLT, M12X165 PLATED	1	1	1	1	1	1		
31	1	26116-140252	BOLT, M14X 25 PLATED	1	1	1	1	1	1		
32	1	26116-140352	BOLT, M14X 35 PLATED	2	2	2	2	2	2		
33	1	26716-120002	NUT, M12	2	2	2	2	2	2		
34	1	26716-180002	NUT, M18	2	2	2	2	2	2		

## Parts No. Index

Parts No.	Fig. No.	Ref. No.
101720-55750	15	20
102103-55520	15	14
104200-11920	14	2
104200-55321	15	10
104200-55330	15	11
104200-55341	15	12
104200-55750	15	21
110250-55610	15	15
119160-12060	9	9
119247-77100	19	25
	29	27
119259-44570	12	10
119650-77910	19	27
119808-12540	9	3
120147-44810	26	12
121120-13580	8	8
121120-44800	1	45
	2	45
	3	56
121250-44590	12	11
121250-49121	12	3
121254-55510	15	13
121256-44600	12	25
121257-55720	15	17
121257-55731	15	18
121450-44531	12	20
121470-44581	12	22
121850-55710	15	16
124450-44550	12	24
124450-44560	12	21
124764-44810	1	46
	2	46
	3	57
	4	20
	5	20
	6	24
	12	33 A
124764-44920	1	47
	2	47
	3	58
124766-59050	12	26
	15	24
	79	10
129062-12560	9	4
129062-12570	9	5
129122-44480	24	5 -1
	25	4 -1
129136-77200	19	26
129335-55705	15	9
129412-52100	15	8

Parts No.	Fig. No.	Ref. No.
129466-96240	27	19
171064-44510	12	18
172020-10101-1	61	1
172020-10112	61	3
172020-10141-1	61	6
172020-10220	61	4
		11
172020-10230	61	7
172020-10251	61	10
172020-10290	61	33
172020-10320	61	9
	62	16
	63	31
	67	6
172020-10360	61	16
172020-10370	61	14
172020-10380	61	17
	62	19
	63	16
	67	11
172020-10510-1	62	2
	63	2
172020-10610	62	3
	63	3
172020-10620	62	4
		13
	63	4
		13
	64	8
	65	9
	66	6
		9
	67	3
		24
172020-10680	62	14
	63	14
172020-10720	62	5
	63	5
172020-10730	66	2
172020-10750	62	6
	63	6
172020-10760	62	7
	63	7
172020-10770	62	8
	63	8
172020-10780	62	9
	63	9
172020-10790	62	10
	63	10
172020-10800	62	20

Parts No.	Fig. No.	Ref. No.
172020-10800	63	17
172020-10810	62	11
	63	11
	65	3
	66	3
172020-10860	66	4
172020-10900-1	64	1
172020-10910-1	64	3
172020-10940-1	64	6
	65	4
172020-11000	64	7
172020-11030	64	9
	65	10
172020-11040	64	10
172020-11060	64	13
172020-11070	64	15
172020-11151-1	66	1
172020-11161-1	66	5
172020-11230	66	7
172020-11250	66	8
172020-11280	66	10
172020-11300	66	11
172020-11320	66	14
172020-11340	66	15
172020-11350	66	17
172020-11450	67	4
		25
172020-11470	67	2
172020-11500	67	5
172020-11520	67	8
172020-11530	67	12
172020-11540	67	9
172020-11600	61	15
172020-11610	61	18
172020-11620	61	25
172020-11650	62	21
	63	18
172020-11660	64	14
172020-11661	64	14 -1
172020-11670	64	16
172020-11680	64	23
172020-11690	66	16
172020-11700	66	18
172020-11710	66	25
172020-11720	67	10
172020-11730	67	13
172020-11740	67	20
172068-28490	39	1
172110-76170-1	89	5
172112-06490	72	6

Parts No.	Fig. No.	Ref. No.
172112-16201	16	10
172112-16650	15	7
	17	11
172112-74971	79	5
172112-75770	79	7
172112-75780	79	8
172112-77361	81	4
		5
		6
		7
	82	5
		6
		7
		7
	86	4
172112-77480	92	1
172112-77580	92	2
172113-74170	73	3
	74	3
		17
		61
	75	39
172113-74190	73	4
	75	40
172116-74150	72	7
		16
		55
	73	24
		57
		78
		100
	74	31
		57
		76
	75	55
		89
172116-74190	73	5
	74	4
		18
		62
	75	41
172116-75850-3	79	24
172122-13310	13	2
	28	6
172122-13381	12	15
172122-17190	44	1
	58	1
172122-37844	32	19
172122-46590	35	24
	37	30
	39	24

CLICK HERE TO **DOWNLOAD** THE COMPLETE MANUAL

- Thank you very much for reading the preview of the manual.
- You can download the complete manual from: [www.heydownloads.com](http://www.heydownloads.com) by clicking the link below



- Please note: If there is no response to CLICKING the link, please download this PDF first and then click on it.

CLICK HERE TO **DOWNLOAD** THE COMPLETE MANUAL