

0CS10-M52103EN

CLICK HERE TO **DOWNLOAD** THE COMPLETE MANUAL

- Thank you very much for reading the preview of the manual.
- You can download the complete manual from: www.heydownloads.com by clicking the link below



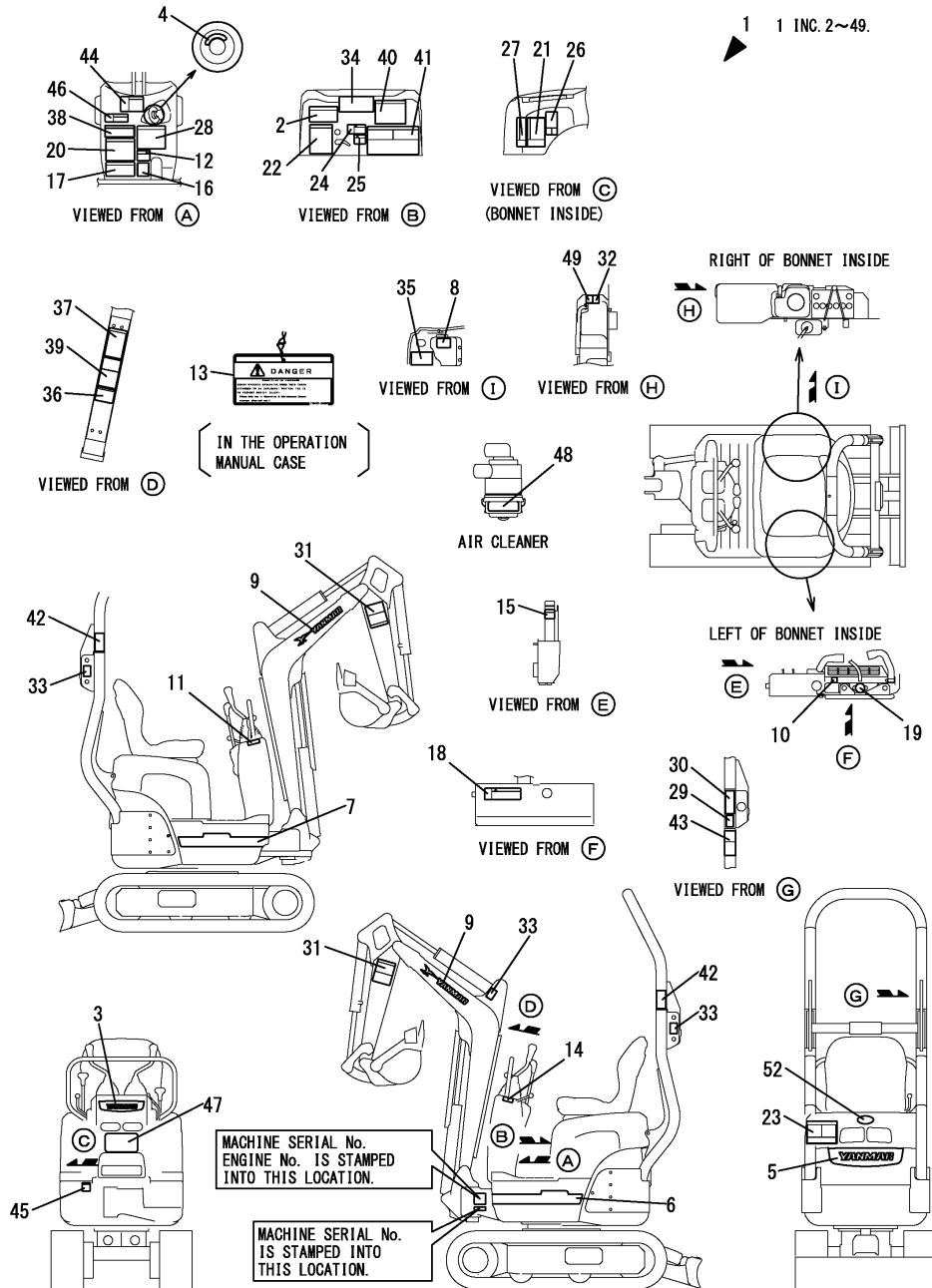
- Please note: If there is no response to CLICKING the link, please download this PDF first and then click on it.

CLICK HERE TO **DOWNLOAD** THE COMPLETE MANUAL

Fig.1. LABEL(VARIABLE LEG : LINK TYPE)(TO MAF000)

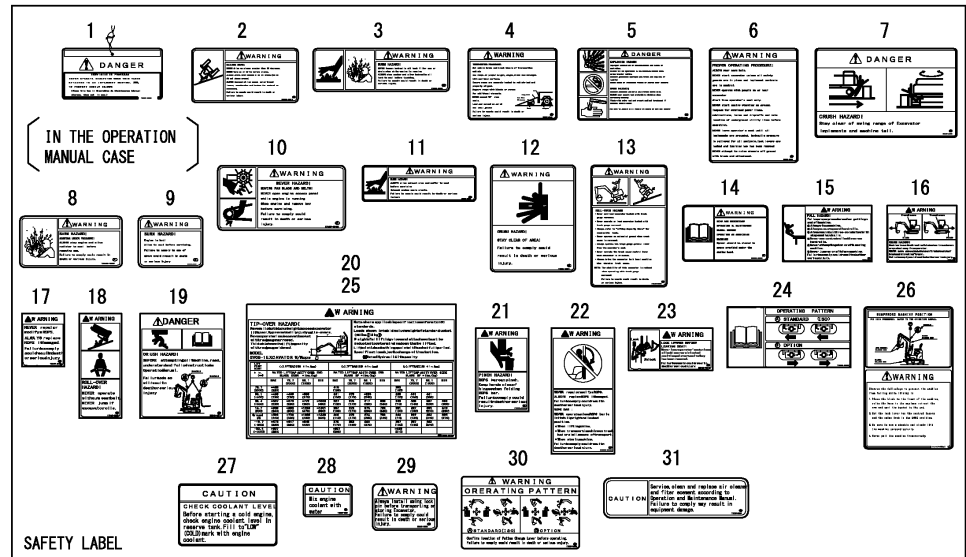
(A)=SV08-1A(US)
(B)=SV08-1A(AS)
(C)=SV08-1A(KR)

(D)=SV08-1A(NZ)
(E)=SV08-1A(SA)
(F)=SV08-1A(HK)



No.	Lev.	Parts No.	Description	Q'ty						I	R
				(A)	(B)	(C)	(D)	(E)	(F)		
1	1	172A82-03060	SET,LABEL SV08-1A US	1	1						
1-1	1	172A82-03061	LABEL KIT,SV08-1A UY	1	1		1				S
		(A=M17001) (B=M17001)									
2	2	172472-03141	LABEL, SUPPORT	1	1		1				
3	2	172446-03160	LABEL	1	1						
3-1	2	172A82-03160	LABEL,FRONT EMBLEM	1	1		1				S
		(A=M17001) (B=M17001)									
4	2	172A64-03700	LABEL, START SWITCH	1	1		1				
5	2	172446-03170	LABEL	1	1						
5-1	2	172A82-03170	LABEL,REAR EMBLEM	1	1		1				S
		(A=M17001) (B=M17001)									
6	2	172A29-03180	LABEL,S.STRIPE L	1	1						
6-1	2	172A82-03180	LABEL,SIDE L	1	1		1				S
		(A=M17001) (B=M17001)									
7	2	172A29-03190	LABEL,S.STRIPE R	1	1						
7-1	2	172A82-03190	LABEL,SIDE R	1	1		1				S
		(A=M17001) (B=M17001)									
8	2	172A38-03201	LABEL, SUB TANK	1	1		1				
9	2	172A55-03310	LABEL, BRAND 450	2	2						
9-1	2	172A86-03310	LABEL,YANMAR	2	2		2				S
		(A=M17001) (B=M17001)									
10	2	172A38-03211	LABEL, ANTI-FREEZING	1	1		1				
11	2	172446-03240	LABEL	1	1		1				
12	2	172433-03251	LABEL, SWING LOCK US	1	1		1				
13	2	172437-03252	TAG ASSY, CAUTION	1	1		1				
14	2	172183-03280	LABEL, LOCK	1	1		1				
15	2	172463-03290	LABEL, HYD.OIL	1	1		1				
16	2	172137-03300	LABEL, TURNING LOCK	1	1		1				
17	2	172437-03312	LABEL, SLOPE	1	1		1				
18	2	172437-03322	LABEL, RESERVOIR US	1	1		1				
19	2	172462-03320	LABEL, RADIATOR	1	1		1				
20	2	172437-03343	LABEL, TRANSPORT	1	1		1				
21	2	172437-03361	LABEL, BATTERY	1	1		1				
22	2	172437-03372	LABEL, NEUTRAL	1	1		1				
23	2	172437-03381	LABEL, SWING AREA	1	1		1				
23-1	2	172A64-03380	LABEL,SWING AREA US	1	1		1				N
		(A=M15145) (B=M15145)									
24	2	172437-03391	LABEL, RADIATOR	1	1		1				
25	2	172437-03402	LABEL, ENGINE COVER	1	1		1				
26	2	172A36-03411	LABEL, ENGINE ROOM	1	1		1				
27	2	172437-03422	LABEL, SILENCER	1	1		1				
28	2	172437-03432	LABEL, STEERING	1	1		1				
29	2	172437-03441	LABEL, ROPS	1	1		1				
30	2	172437-03451	LABEL, SEAT BELT	1	1		1				
31	2	172437-03461	LABEL, BOOM	2	2		2				
32	2	172437-03501	LABEL, FUEL	1	1		1				
33	2	172437-03511	LABEL, HOOK	3	3		3				
34	2	172437-03601	LABEL, 2-WAY US	1	1		1				
35	2	172446-03632	LABEL, HUSE US	1	1		1				
36	2	172446-03640	LABEL,GREASE E	1	1		1				
37	2	172446-03652	LABEL, VARIABLE US	1	1		1				

Fig.3. LABEL(SAFETY)



(A)=SV08-1A(US)
 (B)=SV08-1A(AS)
 (C)=SV08-1A(KR)

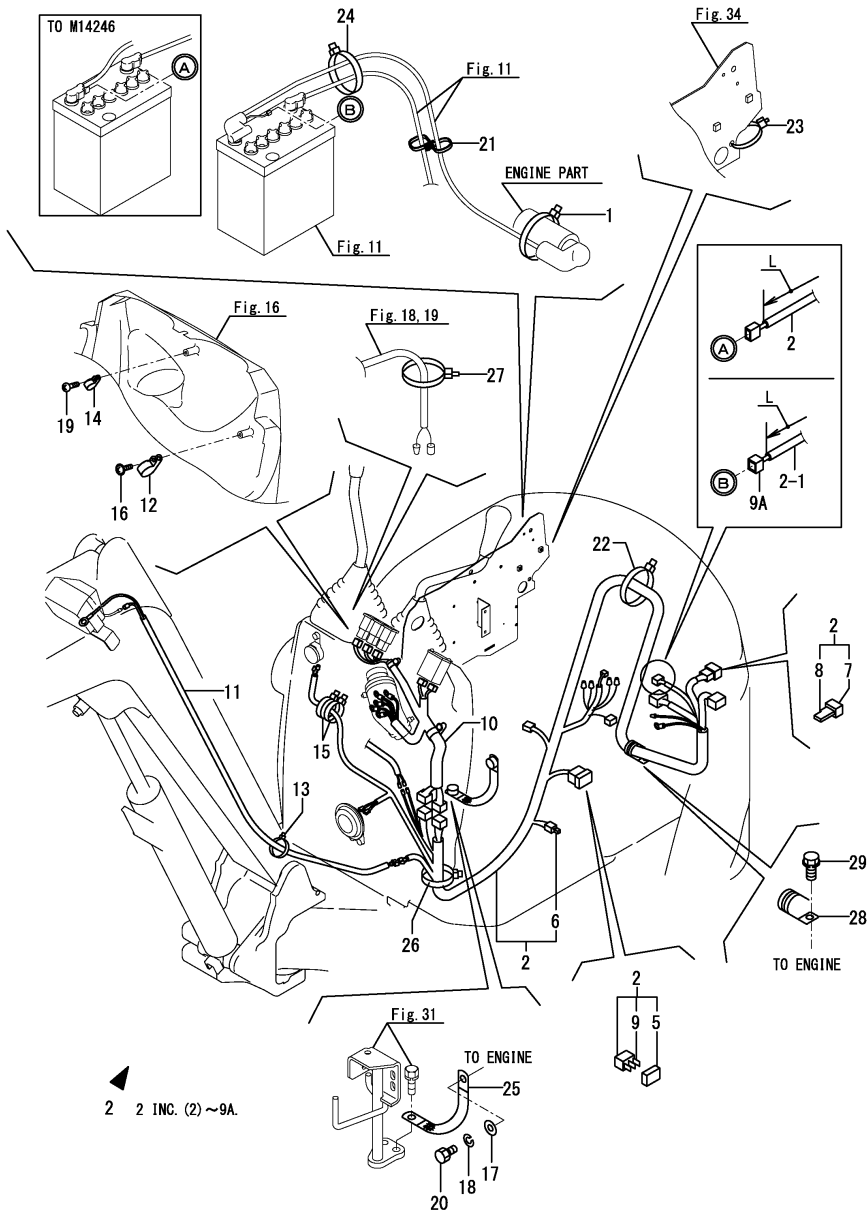
(D)=SV08-1A(NZ)
 (E)=SV08-1A(SA)
 (F)=SV08-1A(HK)

No.	Lev.	Parts No.	Description	Q'ty						I	R
				(A)	(B)	(C)	(D)	(E)	(F)		
1	1	172437-03252	TAG ASSY, CAUTION	1	1	1	1	1	1		
2	1	172437-03312	LABEL, SLOPE	1	1	1	1	1	1		
3	1	172437-03322	LABEL, RESERVOIR US	1	1	1	1	1	1		
4	1	172437-03343	LABEL, TRANSPORT	1	1	1	1	1	1		
5	1	172437-03361	LABEL, BATTERY	1	1	1	1	1	1		
6	1	172437-03372	LABEL, NEUTRAL	1	1	1	1	1	1		
7	1	172437-03381	LABEL, SWING AREA	1	1	1					
7-1	1	172A64-03380	LABEL, SWING AREA US	1	1	1	1	1	1		N
		(A=M15145)	(B=M15145)	(C=M15145)							
8	1	172437-03391	LABEL, RADIATOR	1	1	1	1	1	1		
9	1	172437-03402	LABEL, ENGINE COVER	1	1	1	1	1	1		
10	1	172A36-03411	LABEL, ENGINE ROOM	1	1	1	1	1	1		
11	1	172437-03422	LABEL, SILENCER	1	1	1	1	1	1		
12	1	172437-03461	LABEL, BOOM	2	2	2	2	2	2		
13	1	172446-03652	LABEL, VARIABLE US	1	1	1	1	1	1		
14	1	172A29-03760	LABEL, MANUAL US	1	1	1	1	1	1		
15	1	172472-03141	LABEL, SUPPORT	1	1	1	1	1	1		
16	1	172437-03432	LABEL, STEERING	1	1	1	1	1	1		
17	1	172437-03441	LABEL, ROPS	1	1		1	1	1		
18	1	172437-03451	LABEL, SEAT BELT	1	1		1	1	1		
19	1	172446-03711	LABEL, LIFT US	1	1		1	1	1		
20	1	172A82-03730	LABEL, LIFT US	1	1		1				
20-1	1	172A82-03731	LABEL, LIFT US	1	1		1	1	1		N
		(A=MAF324)	(B=MAF324)	(D=MAF324)							
21	1	172A29-03740	LABEL, PINCH ROPS	2	2		2	2	2		
22	1	172A29-03750	LABEL, FOLDING ROPS	1	1		1	1	1		
23	1	172A29-03810	LABEL, LEVER LOCK US	1	1	1	1	1	1		
24	1	172A29-03820	LABEL, PATTERN CHANGE	1	1		1	1	1		
25	1	172A29-03781	LABEL, LIFT			1					
25-1	1	172A29-03782	LABEL, LIFT			1					N
			(C=MAF528)								
26	1	172446-03620	LABEL, LIFT E			1					
26-1	1	172446-03621	LABEL, LIFT E			1					N
			(C=M14492)								
27	1	172A38-03201	LABEL, SUB TANK	1	1	1	1	1	1		
28	1	172A38-03211	LABEL, ANTI-FREEZING	1	1	1	1	1	1		
29	1	172433-03251	LABEL, SWING LOCK US	1	1	1	1	1	1		
30	1	172437-03601	LABEL, 2-WAY US	1	1		1	1	1		
31	1	172125-03951	LABEL, AIR CLEANER	1	1	1	1	1	1		

Fig.12. WIRING

(A)=SV08-1A(US)
(B)=SV08-1A(AS)
(C)=SV08-1A(KR)

(D)=SV08-1A(NZ)
(E)=SV08-1A(SA)
(F)=SV08-1A(HK)



No.	Lev.	Parts No.	Description	Q'ty						I	R
				(A)	(B)	(C)	(D)	(E)	(F)		
1	1	172122-79930	CLAMP, HOSE	1	1	1					
1-1	1	172183-16560	CLIP, HOSE	1	1	1	1	1	1	1	N
		(A=M15258) (B=M15258) (C=M15258)									
2	1	172A29-16500	WIRE HARNESS ASSY,A	1	1	1					
2-1	1	172A29-16501	WIRE HARNESS ASSY,A	1	1	1	1	1	1	1	S 1
		(A=M/#14247) (B=M/#14247) (C=M/#14247)									
5	2	172183-16590	COVER	1	1	1	1	1	1	1	
6	2	172648-16600	DIODE, 1.5-2P	1	1	1	1	1	1	1	
7	2	172447-17140	HOUSING	1	1	1	1	1	1	1	
8	2	172447-17150	FUSE 40A	1	1	1	1	1	1	1	
9	2	29420-100000	FUSE, B 10A	3	3	3	3	3	3	3	
9A	2	172498-16520	HOUSING	1	1	1	1	1	1	1	W
		(A=M/#14247) (B=M/#14247) (C=M/#14247)									
10	1	172446-16511	HARNESS, STAND	1	1	1	1	1	1	1	
11	1	172186-16541	HARNESS, WORK LAMP	1	1	1	1	1	1	1	
12	1	172446-16550	CLAMP	1	1	1	1	1	1	1	
13	1	172137-16560	BAND	1	1	1	1	1	1	1	
14	1	172446-16560	CLAMP	1	1	1	1	1	1	1	
15	1	1A1380-55310	CLAMP, WIRE	2	2	2					
15-1	1	194202-56460	BAND, 200	2	2	2	2	2	2	2	N
		(A=M15258) (B=M15258) (C=M15258)									
16	1	194940-61790	SCREW, TAPPING M5X16	1	1	1	1	1	1	1	
17	1	22137-100000	WASHER, 10	1	1	1	1	1	1	1	
18	1	22217-100000	WASHER, SPRING 10	1	1	1	1	1	1	1	
19	1	22857-400120	SCREW, 4X12	1	1	1	1	1	1	1	
20	1	26116-100162	BOLT, M10X 16 PLATED	1	1	1	1	1	1	1	
21	1	172137-16560	BAND	1	1	1	1	1	1	1	
22	1	1A1380-55310	CLAMP, WIRE	1	1	1	1	1	1	1	
23	1	1A1380-55310	CLAMP, WIRE	1	1	1					
23-1	1	194202-56460	BAND, 200	1	1	1	1	1	1	1	N
		(A=M15258) (B=M15258) (C=M15258)									
24	1	1A1380-55310	CLAMP, WIRE	1	1	1					
24-1	1	194202-56460	BAND, 200	1	1	1	1	1	1	1	N
		(A=M15258) (B=M15258) (C=M15258)									
25	1	933171-15801	CORD, ENGINE EARTH	1	1	1	1	1	1	1	
26	1	172122-79920	CLIP, HOSE	1	1	1					
26-1	1	194202-56460	BAND, 200	1	1	1	1	1	1	1	N
		(A=M15258) (B=M15258) (C=M15258)									
27	1	933168-55770	BAND	1	1	1	1	1	1	1	W
		(A=M15258) (B=M15258) (C=M15258)									
28	1	1A1686-57850	CLAMP, 80	1	1	1	1	1	1	1	W
		(A=M14001) (B=M14001) (C=M14001) (D=M14001)									
29	1	26013-080162	BOLT, M8X 16	1	1	1	1	1	1	1	W
		(A=M14001) (B=M14001) (C=M14001) (D=M14001)									

Remarks

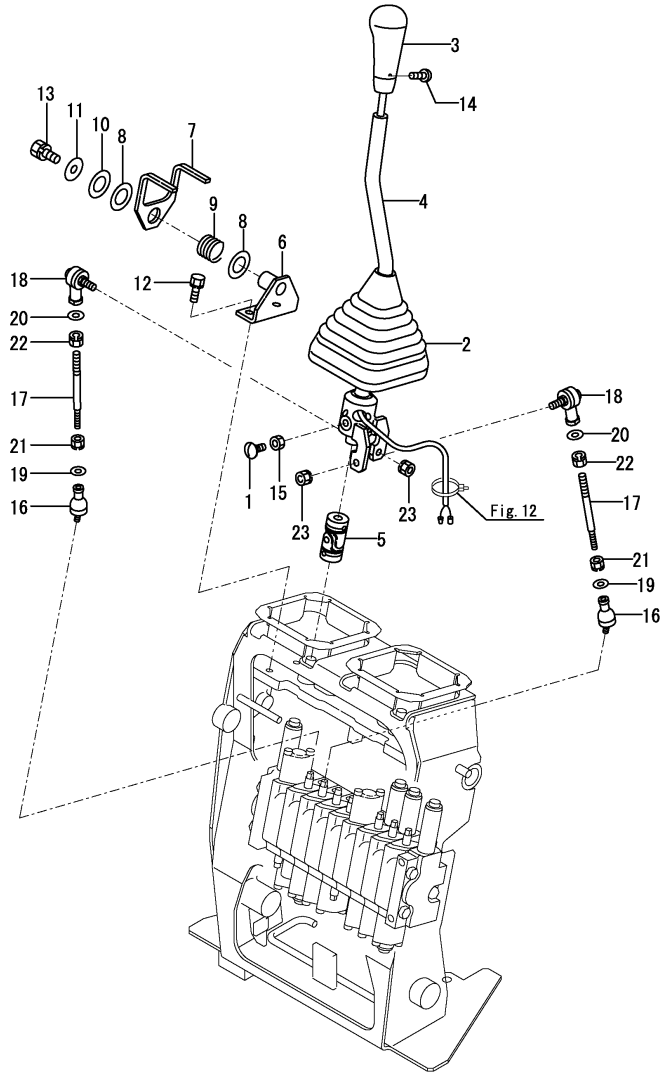
(1)Interchangeable by simultaneous replacement with Fig.11 No.2-1.
L=No.2 : 250mm, No.2-1 : 90mm.

N:Old $\xrightarrow{\text{Yes}}$ New, Q:Old $\xrightarrow{\text{No}}$ New, R:Old $\xrightarrow{\text{Yes}}$ New, S:Old $\xrightarrow{\text{No}}$ New, W:Add, Z:Discontinued, F:Interchangeable by set, K:Q'ty Change

Fig.19. OPERATION LEVER(RIGHT)(KR)

(A)=SV08-1A(US)
 (B)=SV08-1A(AS)
 (C)=SV08-1A(KR)

(D)=SV08-1A(NZ)
 (E)=SV08-1A(SA)
 (F)=SV08-1A(HK)



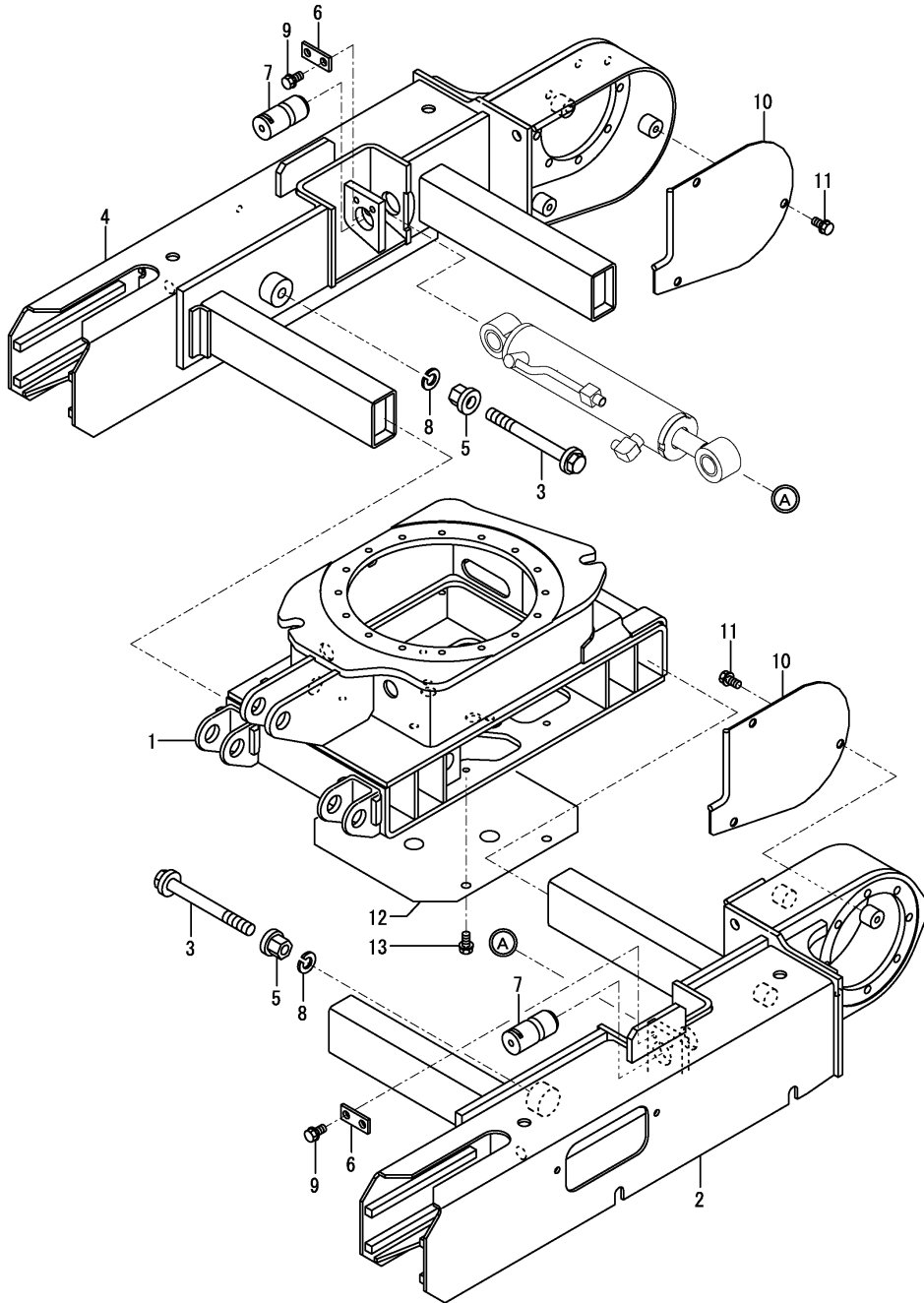
No.	Lev.	Parts No.	Description	Q'ty						I	R
				(A)	(B)	(C)	(D)	(E)	(F)		
1	1	172141-42750	BOLT, STOPPER			4					
1-1	1	172A82-42750	BOLT,STOPPER (C=M17689)			4					N
2	1	172151-45010	BOOT P,LEVER			1					
3	1	172165-47871	KNOB ASSY			1					1
4	1	172446-45170-1	LEVER			1					
5	1	172446-45800	JOINT, NC-12			1					
6	1	172446-45850-1	BASE ASSY			1					
7	1	172446-45890-1	ARM			1					
8	1	172446-45900	WASHER,THRUST			2					
9	1	172183-46430	SPRING			1					
10	1	22137-200000	WASHER, 20			1					
11	1	22157-100000	WASHER, 10			1					
12	1	26013-080202	BOLT, M8X 20			2					
13	1	26013-100202	BOLT, M10X 20			1					
14	1	26587-040062	SCREW, M4X 6			1					
15	1	26756-080002	NUT, LOCK M8			4					
16	1	172157-45630	BALL 6, LINK			2					
17	1	172446-45750	ROD 110			2					
18	1	172122-46590	ELBOW, 8			2					
19	1	22117-060000	WASHER, 6			2					
20	1	22117-080000	WASHER, 8			2					
21	1	26051-060002	NUT, M6			2					
22	1	26051-080002	NUT, M8			2					
23	1	26051-080002	NUT, M8			2					

Remarks
 (1)A knob with a built-in horn switch.

Fig.29. TRAVEL FRAME(VARIABLE LEG : SLIDE TYPE)(KR)

(A)=SV08-1A(US)
 (B)=SV08-1A(AS)
 (C)=SV08-1A(KR)

(D)=SV08-1A(NZ)
 (E)=SV08-1A(SA)
 (F)=SV08-1A(HK)



No.	Lev.	Parts No.	Description	Q'ty						I	R
				(A)	(B)	(C)	(D)	(E)	(F)		
1	1	172A20-50200-1	FRAME, LOWER CENTER			1					
1-1	1	172A20-50201	FRAME ,LOWERCENT(49) (C=M14529)			1					N
2	1	172A20-50350-1	FRAME, CRAWLER			1					
3	1	172480-50480	BOLT ASSY, STOPPER			2					
4	1	172A20-50500-1	FRAME, CRAWLER			1					
5	1	172448-50720	NUT ASSY, STOPPER			2					
6	1	172448-50770-2	PLATE			2					
7	1	172480-50910	PIN 33 X 64			2					
8	1	22217-160000	WASHER, SPRING 16			2					
9	1	26013-100162	BOLT, M10X 16			4					
10	1	172A20-61500-1	COVER, MOTOR			2					
11	1	26013-100202	BOLT, M10X 20			6					
12	1	172A20-61530	COVER ASSY (C=M14492)			1					W
13	1	26013-100202	BOLT, M10X 20 (C=M14492)			4					W

CLICK HERE TO **DOWNLOAD** THE COMPLETE MANUAL

- Thank you very much for reading the preview of the manual.
- You can download the complete manual from: www.heydownloads.com by clicking the link below



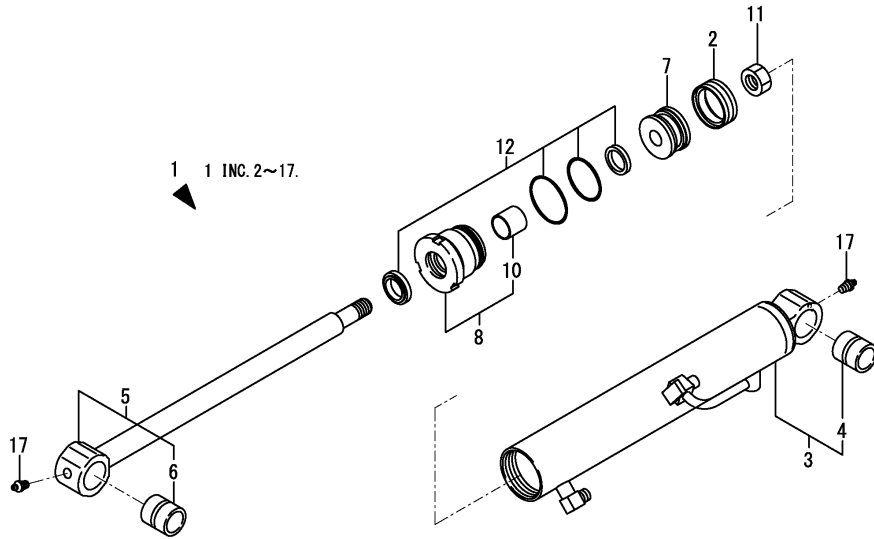
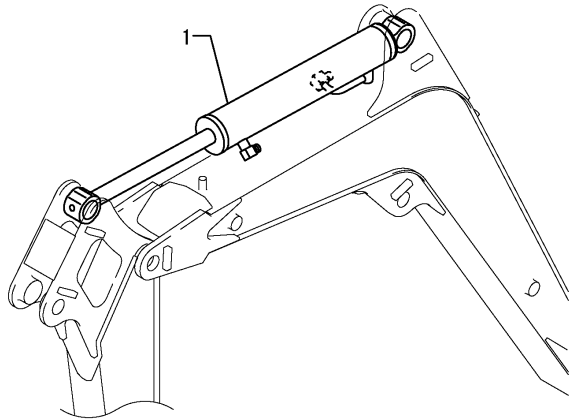
- Please note: If there is no response to CLICKING the link, please download this PDF first and then click on it.

CLICK HERE TO **DOWNLOAD** THE COMPLETE MANUAL

Fig.37. ARM CYLINDER

(A)=SV08-1A(US)
 (B)=SV08-1A(AS)
 (C)=SV08-1A(KR)

(D)=SV08-1A(NZ)
 (E)=SV08-1A(SA)
 (F)=SV08-1A(HK)

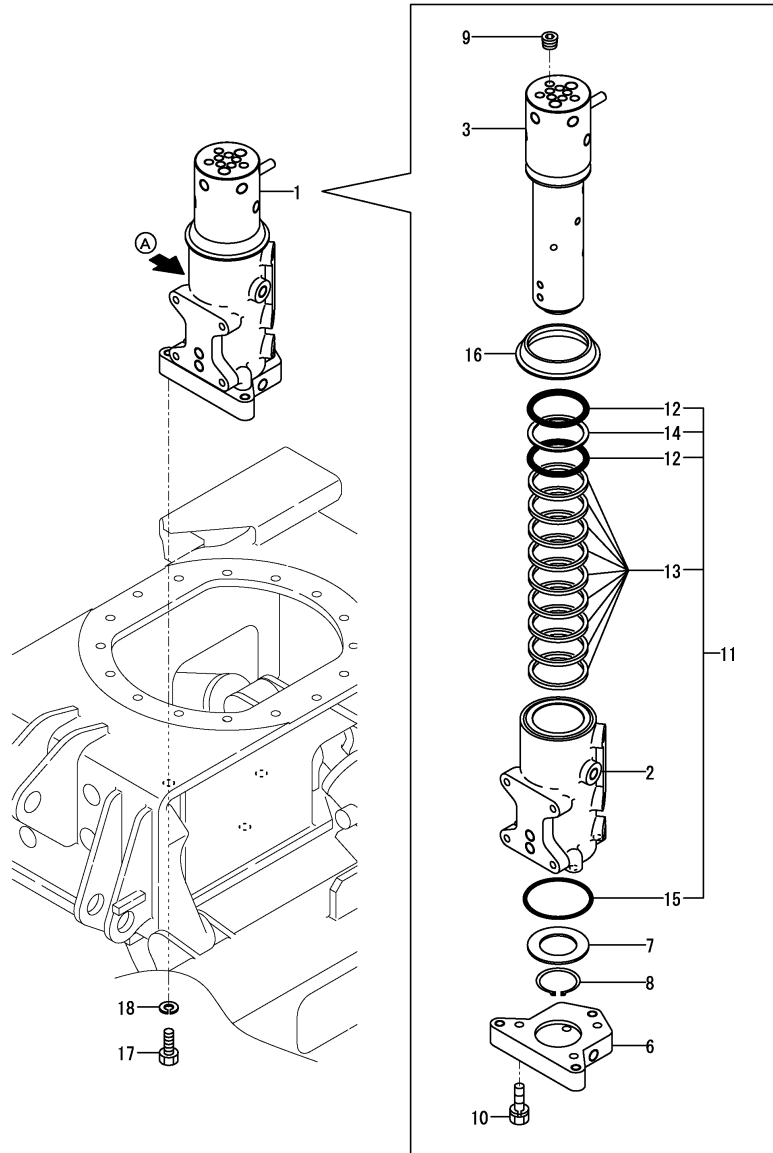


No.	Lev.	Parts No.	Description	Q'ty						I	R
				(A)	(B)	(C)	(D)	(E)	(F)		
1	1	172446-72400-1	CYLINDER, ARM	1	1	1					
1-1	1	172446-72400-N	CYLINDER, ARM	1	1	1	1	1	1	1	S
		(A=M17001) (B=M17001) (C=M17001)									
2	2	172447-72321	GASKET ASSY, RGU50	1	1	1	1	1	1	1	
3	2	172446-72420-1	TUBE, ARM	1	1	1					
3-1	2	172446-72420-N	TUBE, ARM	1	1	1	1	1	1	1	S
		(A=M17001) (B=M17001) (C=M17001)									
4	3	172156-72770	BUSH, PIN 25 35 B	1	1	1	1	1	1	1	
5	2	172446-72490	ROD ASSY, ARM	1	1	1	1	1	1	1	
6	3	172156-72770	BUSH, PIN 25 35 B	1	1	1	1	1	1	1	
7	2	172447-72531	PISTON 50 18X28	1	1	1	1	1	1	1	
8	2	172157-72620	HEAD 5025 B W/BUSH	1	1	1	1	1	1	1	
10	3	24550-025250	BUSH, 25X25	1	1	1	1	1	1	1	
11	2	172157-72730	NUT, M18	1	1	1	1	1	1	1	
12	2	172157-72020	SEAL SET, HEAD 50B	1	1	1	1	1	1	1	
17	2	24761-020000	NIPPLE, GREASE PT1/8	2	2	2	2	2	2	2	

Fig.45. SWIVEL JOINT(Y SPEC.)(VARIABLE LEG : LINK TYPE)(TO M17687)

(A)=SV08-1A(US)
 (B)=SV08-1A(AS)
 (C)=SV08-1A(KR)

(D)=SV08-1A(NZ)
 (E)=SV08-1A(SA)
 (F)=SV08-1A(HK)



No.	Lev.	Parts No.	Description	Q'ty						I	R	
				(A)	(B)	(C)	(D)	(E)	(F)			
1	1	172446-73840 (A=M17688) (B=M17688)	SWIVEL ASSY	1	1						Z	1
2	3	172446-73860	HUB,SWIVEL		1	1						
3	3	172446-73872	SHAFT, SWIVEL	1	1							
6	3	172446-73890	FLANGE,SWIVEL	1	1							
7	3	172157-73910	SPACER, SWIVEL	1	1							
8	3	22242-000401	RING, 40	1	1							
9	3	23871-010000	PLUG, R01	8	8							
10	3	26013-080352	BOLT, M8X 35	3	3							
11	3	172446-73900	SEAL SET, SWIVEL	1	1							
12	4	172142-73800	O-RING, 55.76X5.7	2	2							
13	4	172447-73840	SEAL	9	9							
14	4	172148-73870	RING, BUCK UP	1	1							
15	4	24321-000700	O-RING, 1AG70.0	1	1							
16	2	172448-73900	COVER, DUCT	1	1							
17	1	26072-100302	BOLT, 10.910X 30	3	3							
18	1	22217-100000	WASHER, SPRING 10	3	3							

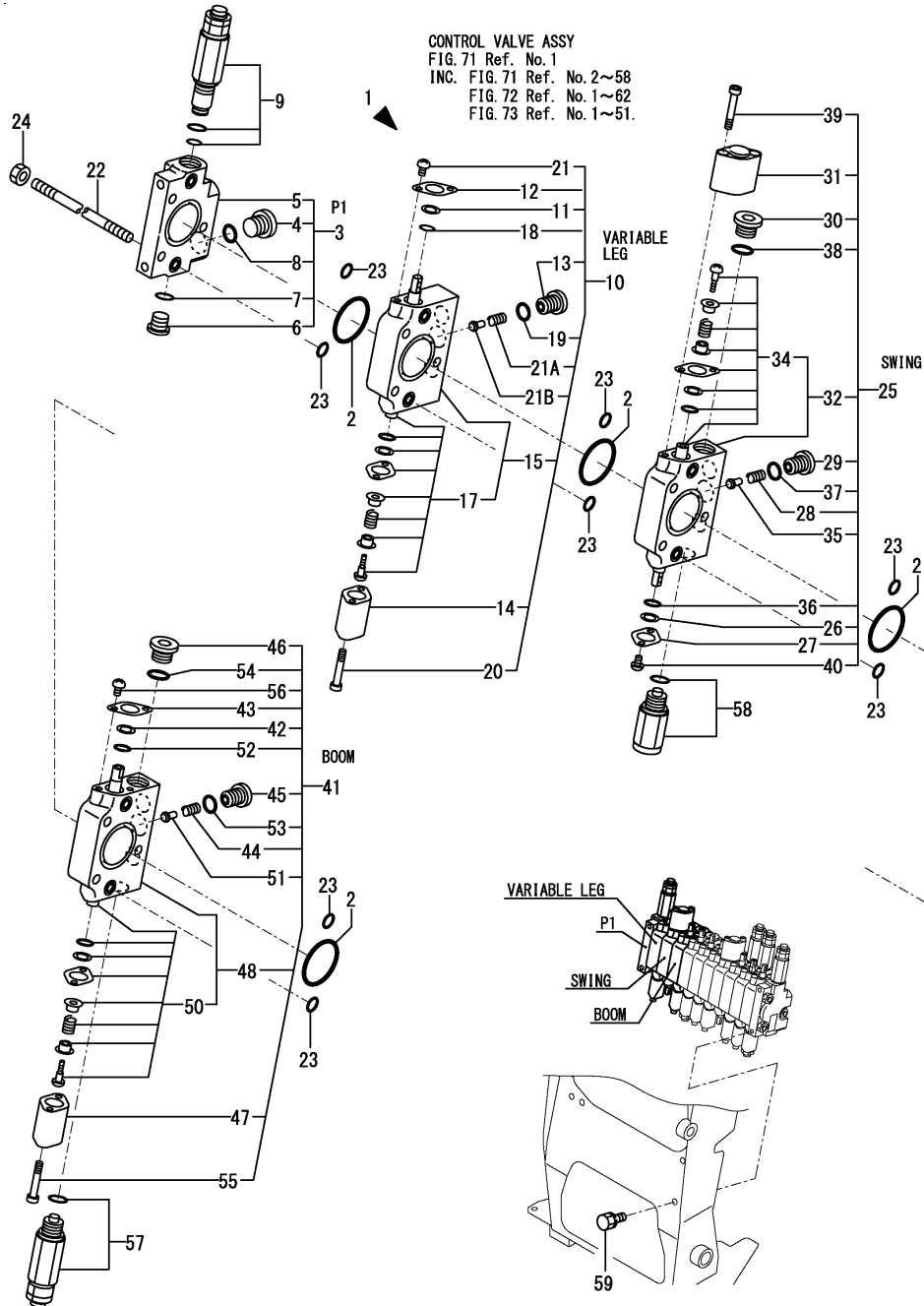
Remarks

(1)A : no label.
 Compatible by assembly exchange with parts of Fig.70(45A) No.1.
 The inner parts are not compatible.

Fig.71. (49A)CONTROL VALVE(1/3)(VARIABLE LEG : SLIDE TYPE)(KR)

(A)=SV08-1A(US)
 (B)=SV08-1A(AS)
 (C)=SV08-1A(KR)

(D)=SV08-1A(NZ)
 (E)=SV08-1A(SA)
 (F)=SV08-1A(HK)

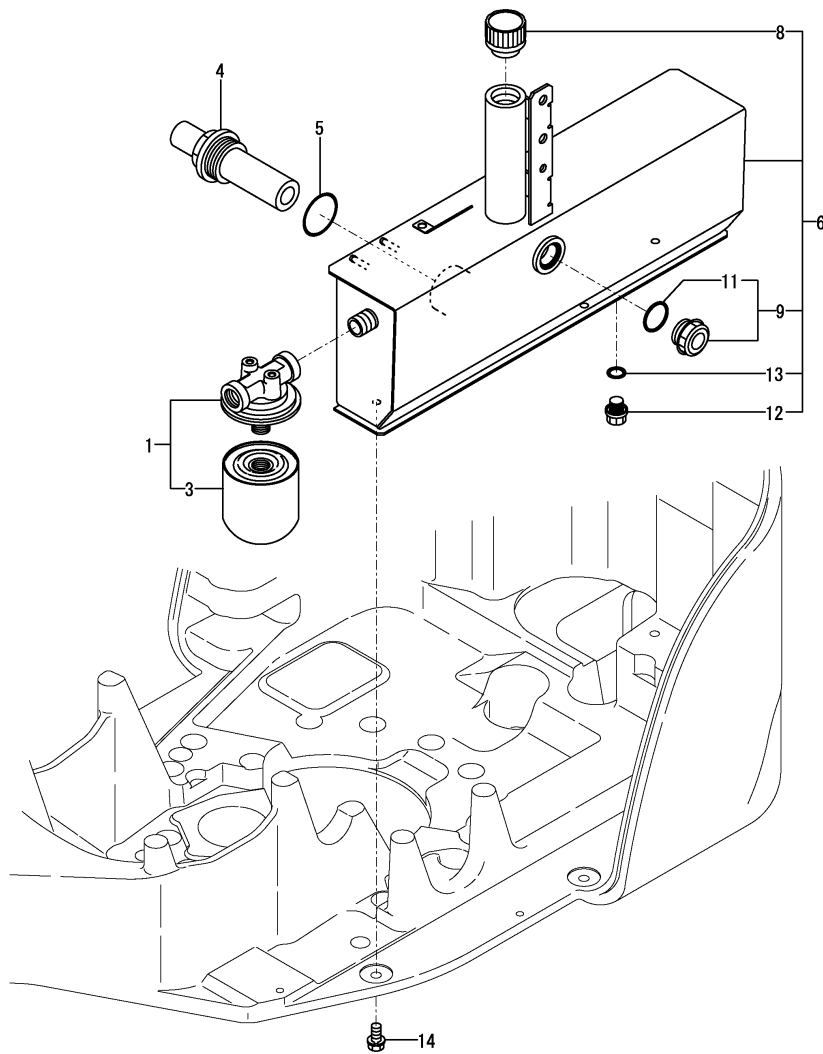


No.	Lev.	Parts No.	Description	Q'ty						I	R
				(A)	(B)	(C)	(D)	(E)	(F)		
53	3	24315-000110	O-RING, 1BP11.0			1					
54	3	24315-000140	O-RING, 1BP14.0			1					
55	3	26450-050452	BOLT, M5X 45			2					
56	3	26557-050102	SCREW, M5X10			2					
57	2	172446-74230	VALVE ASSY, RELIEF 2			1					
58	2	172A29-74360	ANTI-CAVITATION ASSY			1					
59	1	26013-080162	BOLT, M8X 16			3					

Fig.51. HYD. OIL TANK

(A)=SV08-1A(US)
 (B)=SV08-1A(AS)
 (C)=SV08-1A(KR)

(D)=SV08-1A(NZ)
 (E)=SV08-1A(SA)
 (F)=SV08-1A(HK)

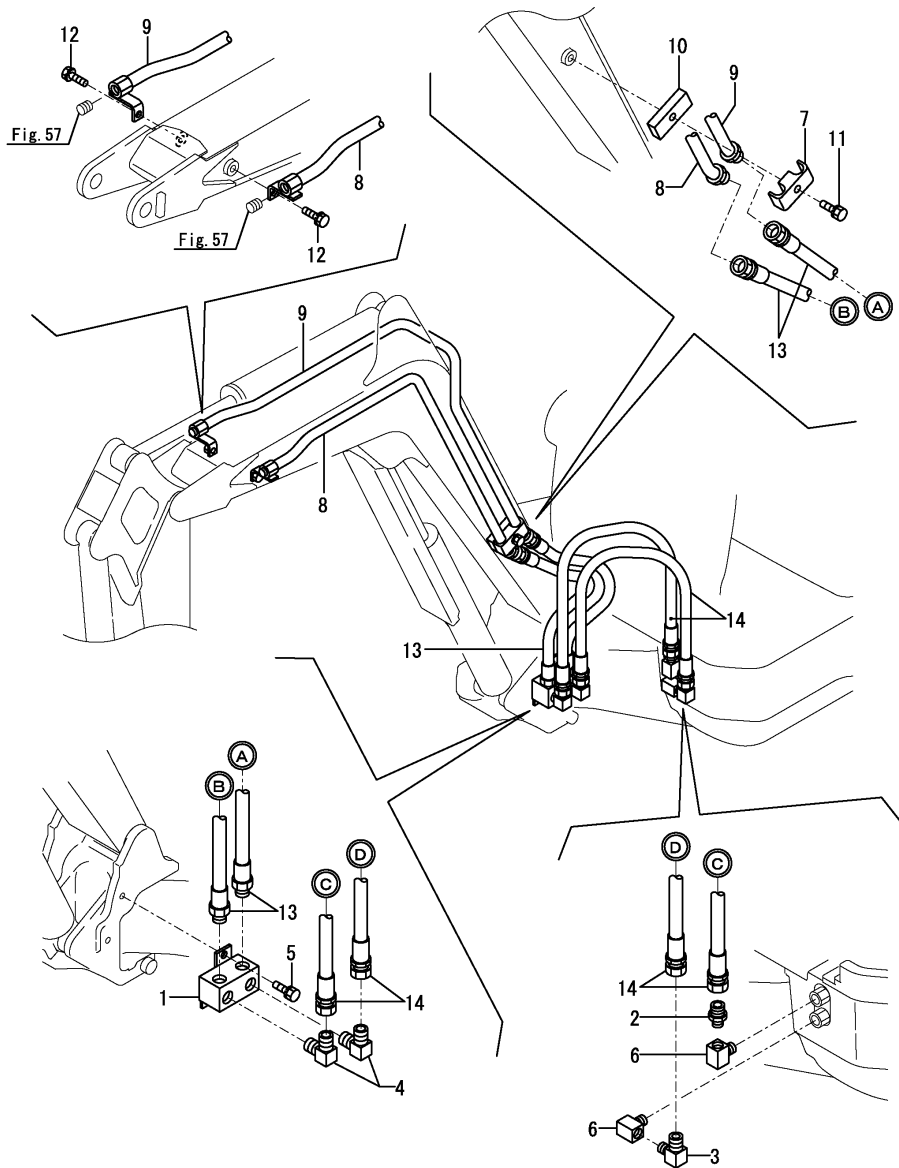


No.	Lev.	Parts No.	Description	Q'ty						I	R
				(A)	(B)	(C)	(D)	(E)	(F)		
1	1	172156-73700	STRAINER, RETURN	1	1	1	1	1	1		
3	2	172156-73710	ELEMENT, FILTER	1	1	1	1	1	1		
4	1	172480-73700	FILTER,SUCTION	1	1	1	1	1	1		
5	1	24315-000440	O-RING 1B P-44.0	1	1	1	1	1	1		
6	1	772A20-75100	TANK ASSY, RESERVOIR	1	1	1	1	1	1		1
8	2	172446-75250	CAP, RESERVER	1	1	1	1	1	1		
9	2	172480-75350	GAUGE ASSY	1	1	1	1	1	1		
11	3	24311-350220	O-RING, 1AP22A	1	1	1	1	1	1		
12	2	23491-140002	PLUG, 14	1	1	1	1	1	1		
13	2	24311-000160	O-RING, 1AP16.0	1	1	1	1	1	1		
14	1	26013-100252	BOLT, M10X 25	3	3	3	3	3	3		
15	1	172437-03322	LABEL, RESERVOIR US	1	1	1	1	1	1		2

Remarks

- (1) Attach the No.15 label to this part.
- (2) Label is not illustrated.

Fig.61. P.T.O.(BOOM END)



(A)=SV08-1A(US)
 (B)=SV08-1A(AS)
 (C)=SV08-1A(KR)

(D)=SV08-1A(NZ)
 (E)=SV08-1A(SA)
 (F)=SV08-1A(HK)

No.	Lev.	Parts No.	Description	Q'ty						I	R
				(A)	(B)	(C)	(D)	(E)	(F)		
1	1	172446-76350	JOINT, 1/2	1	1	1	1	1	1		
2	1	172141-76940	ADAPTER	1	1	1	1	1	1		
3	1	172141-76990	ELBOW	1	1	1	1	1	1		
4	1	23393-040000	JOINT, 90RGI-1/2	2	2	2	2	2	2		
5	1	26013-100202	BOLT, M10X 20	2	2	2	2	2	2		
6	1	933166-24240	ELBOW, SWIVEL JOINT	2	2	2	2	2	2		
7	1	172112-76300-5	RETAINER, BOOM PIPE	1	1	1					
7-1	1	172112-76300-Y	RETAINER, BOOM PIPE	1	1	1	1	1	1		S
		(A=M17001) (B=M17001) (C=M17001)									
8	1	172446-76500-1	TUBE, PTO	1	1	1					
8-1	1	172446-76500-Y	TUBE, PTO	1	1	1	1	1	1		S
		(A=M17001) (B=M17001) (C=M17001)									
9	1	172446-76520-1	TUBE, PTO	1	1	1					
9-1	1	172446-76520-Y	TUBE, PTO	1	1	1	1	1	1		S
		(A=M17001) (B=M17001) (C=M17001)									
10	1	172175-76590-1	PLATE, SPACER	1	1	1					
10-1	1	172175-76590-Y	PLATE, SPACER	1	1	1	1	1	1		S
		(A=M17001) (B=M17001) (C=M17001)									
11	1	26013-100552	BOLT, M10X 55	1	1	1	1	1	1		
12	1	26013-100202	BOLT, M10X 20	2	2	2	2	2	2		
13	1	172446-78800	HOSE	2	2	2	2	2	2		
14	1	172446-78810	HOSE	2	2	2	2	2	2		

Parts No. Index

Parts No.	Fig. No.	Ref. No.
172157-45630	19	16
	20	12
	21	12
172157-45650	22	16
	23	16
172157-45840	30	1
172157-46270	25	3
	26	3
172157-54800	30	3
172157-57600-1	30	9
172157-57610	30	10
172157-57620	30	11
172157-57630	30	12
172157-58830	31	2
172157-70090	43	27
172157-70240	43	46
172157-70450	43	3
172157-70630	47	11
		26
	48	3
		21
		34
	49	48
		3
		19
		36
	71	11
		26
		42
	72	3
		21
		34
		48
	73	3
		19
		36
	79	10
		26
		45
	80	2
		20
		32
		46
	81	2
		14
		30
172157-70640	47	12
		27
		43

Parts No.	Fig. No.	Ref. No.	
172157-70640	48	4	
		22	
		35	
		49	4
			20
			37
		71	12
			27
			43
		72	4
			22
			35
		73	4
			20
		79	37
		11	
		27	
		46	
	80	3	
		21	
		33	
		47	
	81	3	
		15	
		31	
172157-70690	47	28	
		44	
	48	5	
		36	
		50	
		49	5
		71	21 A
			28
			44
		72	5
			36
			50
		73	5
			21
		79	12
		28	
		47	
	80	4	
		34	
		48	
	81	16	
		32	

Parts No.	Fig. No.	Ref. No.	
172157-70700	47	13	
		29	
		45	
		48	6
			23
			37
			51
		49	6
			22
			38
		71	13
			29
			45
		72	6
			23
		37	
		51	
	73	6	
		22	
		38	
	79	13	
		29	
		48	
	80	5	
		22	
		35	
		49	
	81	4	
		17	
		33	
172157-70710	47	2	
	48	1	
	49	1	
	71	2	
	72	1	
	73	1	
	79	2	
172157-70720	47	4	
		30	
		46	
		48	7
		49	7
		71	4
			30
			46
			7
		72	7
		73	7
		79	4
			14
			30

Parts No.	Fig. No.	Ref. No.
172157-70720	80	6
	81	18
172157-70820	47	14
		31
		47
		8
		24
		38
		53
		8
		23
		39
		14
		31
		47
		8
		24
	38	
	53	
	8	
	23	
	39	
	15	
	31	
	49	
	7	
	23	
	36	
	50	
	5	
	19	
	34	
172157-72010	36	14
172157-72020	37	12
	40	10
	41	10
		25
	42	2
172157-72620	37	8
	40	4
	41	6
		21
	42	13
172157-72730	36	13
	37	11
	38	11
	40	7
	41	9
		24
	42	16

CLICK HERE TO **DOWNLOAD** THE COMPLETE MANUAL

- Thank you very much for reading the preview of the manual.
- You can download the complete manual from: www.heydownloads.com by clicking the link below



- Please note: If there is no response to CLICKING the link, please download this PDF first and then click on it.

CLICK HERE TO **DOWNLOAD** THE COMPLETE MANUAL