

0CK50-M00230EN

CLICK HERE TO **DOWNLOAD** THE COMPLETE MANUAL

- Thank you very much for reading the preview of the manual.
- You can download the complete manual from: www.heydownloads.com by clicking the link below



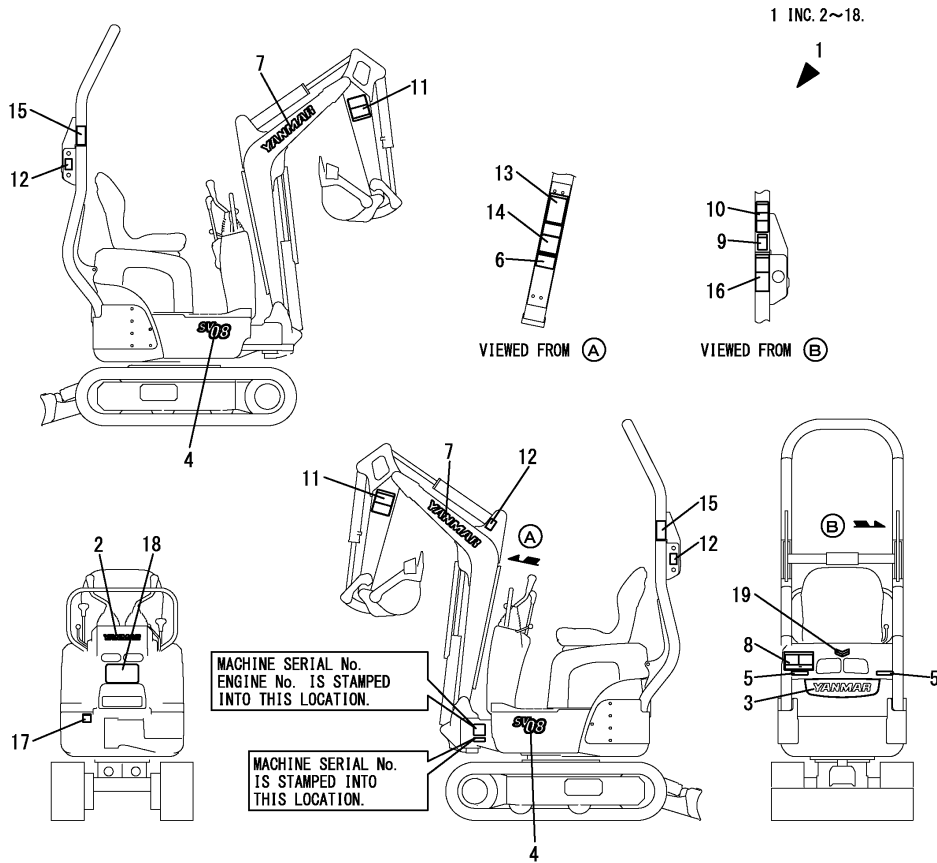
- Please note: If there is no response to CLICKING the link, please download this PDF first and then click on it.

CLICK HERE TO **DOWNLOAD** THE COMPLETE MANUAL

Fig.84. (1A)LABEL(EXTERIOR)(US)(FROM MBF001)

(A)=SV08-1B(US)
 (B)=SV08-1B(KR)
 (C)=

(D)=
 (E)=
 (F)=



No.	Lev.	Parts No.	Description	Q'ty						I	R
				(A)	(B)	(C)	(D)	(E)	(F)		
1	1	172B19-08111	LABEL SET, OUT US D	1							
2	2	172A86-03720	LABEL, YANMAR 200 B	1							
3	2	172A82-03790	LABEL, REAR	1							
4	2	172A82-03470	LABEL, MODEL SV08	2							
5	2	172B04-03970	LABEL, REFLECTOR S	2							
6	2	172480-03220	LABEL, GREASING	1							
7	2	172A86-03770	LABEL, YANMAR 355 B	2							
8	2	172A64-03380	LABEL, SWING AREA US	1							
9	2	172437-03441	LABEL, ROPS	1							
10	2	172437-03451	LABEL, SEAT BELT	1							
11	2	172437-03461	LABEL, BOOM	2							
12	2	172437-03511	LABEL, HOOK	3							
13	2	172446-03652	LABEL, VARIABLE US	1							
14	2	172446-03711	LABEL, LIFT US	1							
15	2	172A29-03740	LABEL, PINCH ROPS	2							
16	2	172A29-03750	LABEL, FOLDING ROPS	1							
17	2	172A29-03800	LABEL, GREASE US	1							
18	2	172A29-03820	LABEL, PATTERN CHANGE	1							
19	1	172A88-03010	EMBLEM ASSY, FY S1 Y	1							

SAFETY LABEL

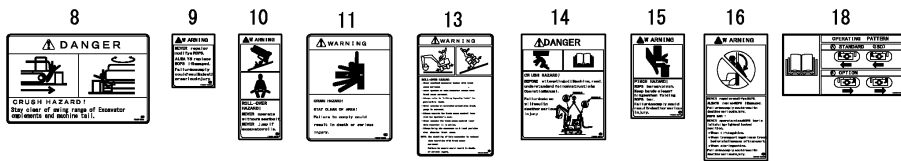
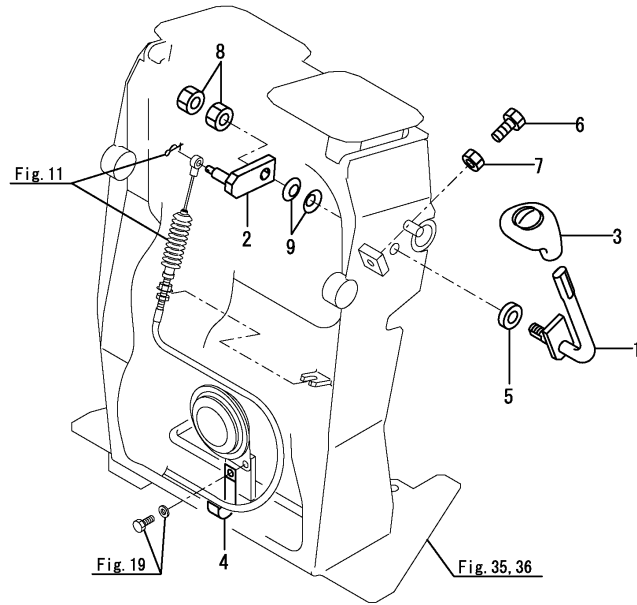


Fig.10. ACCELERATOR LEVER

(A)=SV08-1B(US)
 (B)=SV08-1B(KR)
 (C)=

(D)=
 (E)=
 (F)=

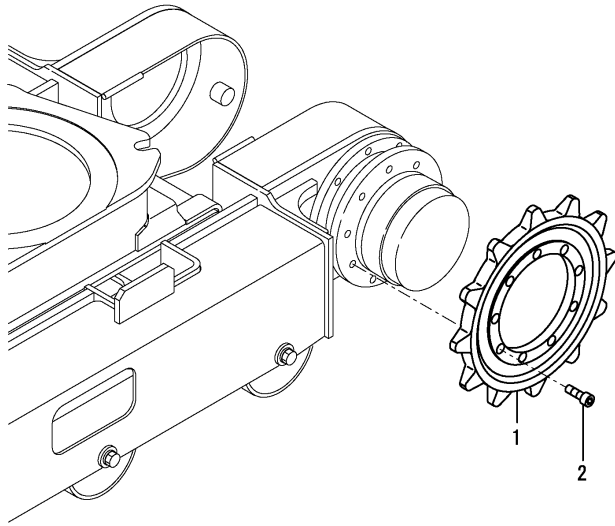


No.	Lev.	Parts No.	Description	Q'ty						I	R
				(A)	(B)	(C)	(D)	(E)	(F)		
1	1	172446-12100-1	LEVER, ACCELERATOR	1	1						
2	1	172446-12130	ARM ASSY	1	1						
3	1	172146-12150	GRIP, ACCELERATOR	1	1						
4	1	1A1686-57850	CLAMP, 80	1	1						
5	1	172156-61320	COLLAR	1	1						
6	1	26116-080254	BOLT, M8X 25 PLATED	1	1						
7	1	26756-080002	NUT, LOCK M8	1	1						
8	1	26756-120002	NUT, LOCK M12	2	2						
9	1	933170-01490	SPRING	2	2						

Fig.20. SPROCKET

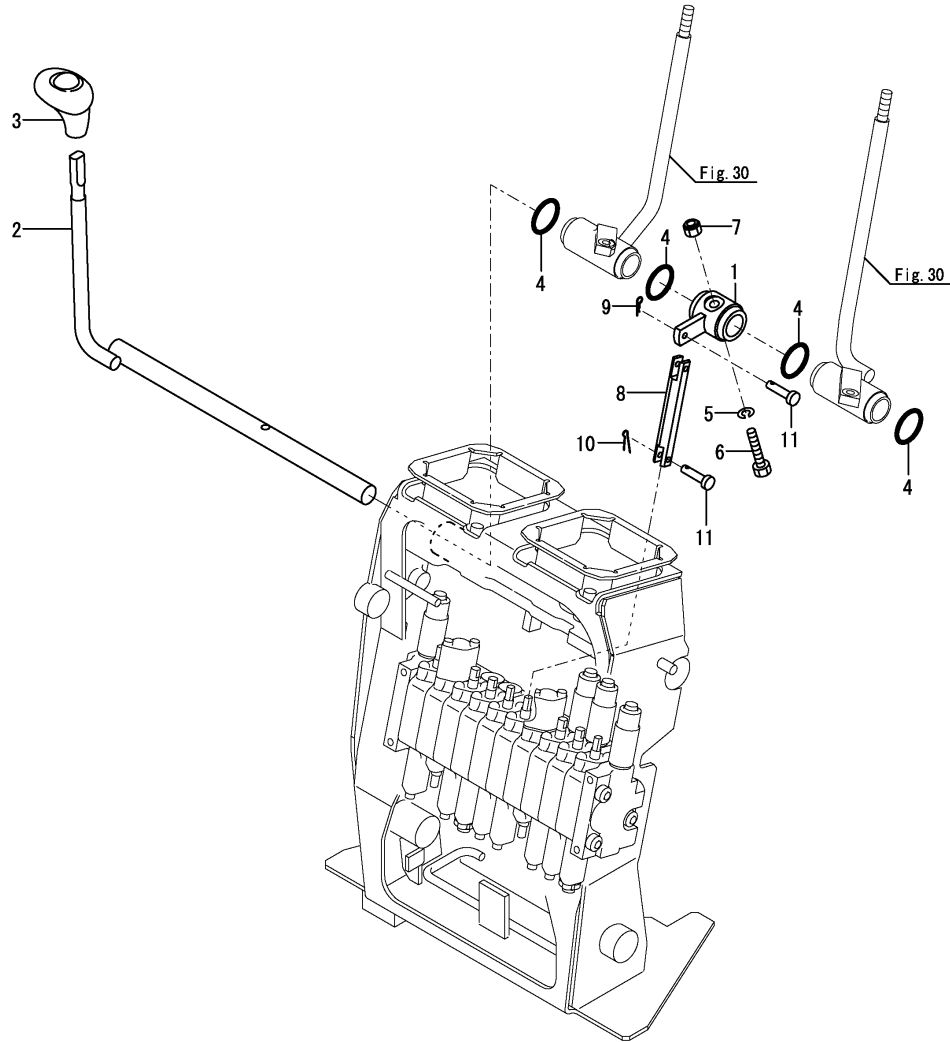
(A)=SV08-1B(US)
 (B)=SV08-1B(KR)
 (C)=

(D)=
 (E)=
 (F)=



No.	Lev.	Parts No.	Description	Q'ty						I	R
				(A)	(B)	(C)	(D)	(E)	(F)		
1	1	172446-29101-1	SPROCKET	2	2						
2	1	26450-100252	BOLT, M10X 25	18	18						

Fig.29. BLADE LEVER



(A)=SV08-1B(US)
 (B)=SV08-1B(KR)
 (C)=

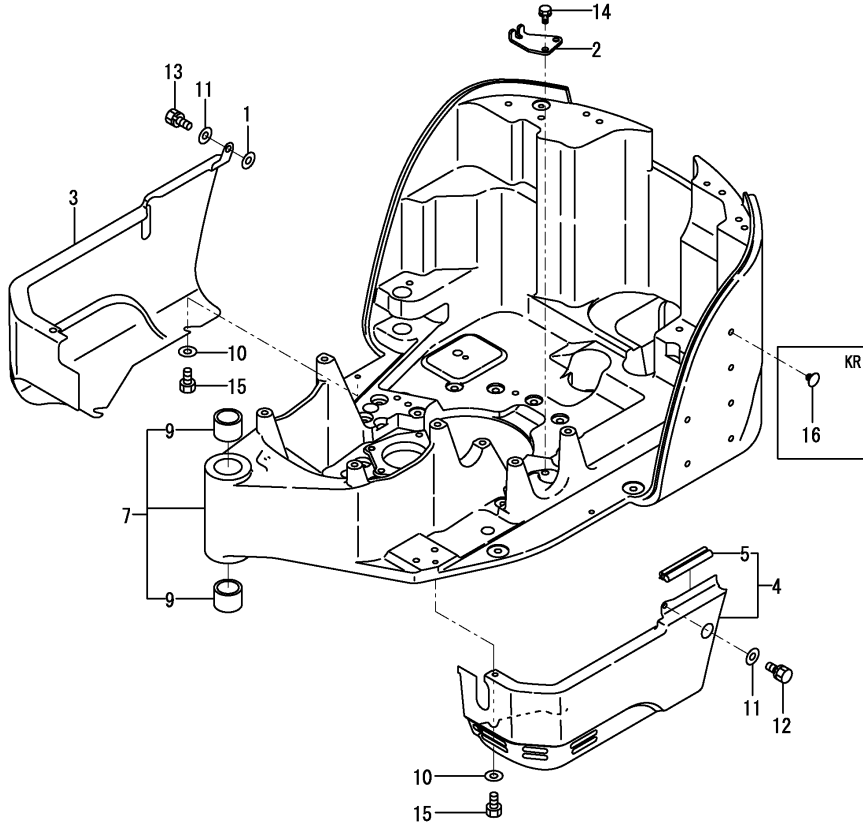
(D)=
 (E)=
 (F)=

No.	Lev.	Parts No.	Description	Q'ty						I	R
				(A)	(B)	(C)	(D)	(E)	(F)		
1	1	172A29-45100-1	LINK, BLADE	1	1						
2	1	172446-45210-1	LEVER, BLADE	1	1						
3	1	172164-45970	GRIP, BLADE	1	1						
4	1	172124-46200	O-RING	4	4						
5	1	22217-080000	WASHER, SPRING 8	1	1						
6	1	26116-080454	BOLT, M8X 45 PLATED	1	1						
7	1	26346-080002	NUT, M8	1	1						
8	1	172498-45600	ROD A,SPOOL	1	1						
9	1	1C6281-52310	PIN, SNAP 6	1	1						
10	1	22417-160160	PIN, COTTER 1.6X16	1	1						
11	1	933110-54100	PIN	2	2						

Fig.39. TURNING FRAME

(A)=SV08-1B(US)
 (B)=SV08-1B(KR)
 (C)=

(D)=
 (E)=
 (F)=

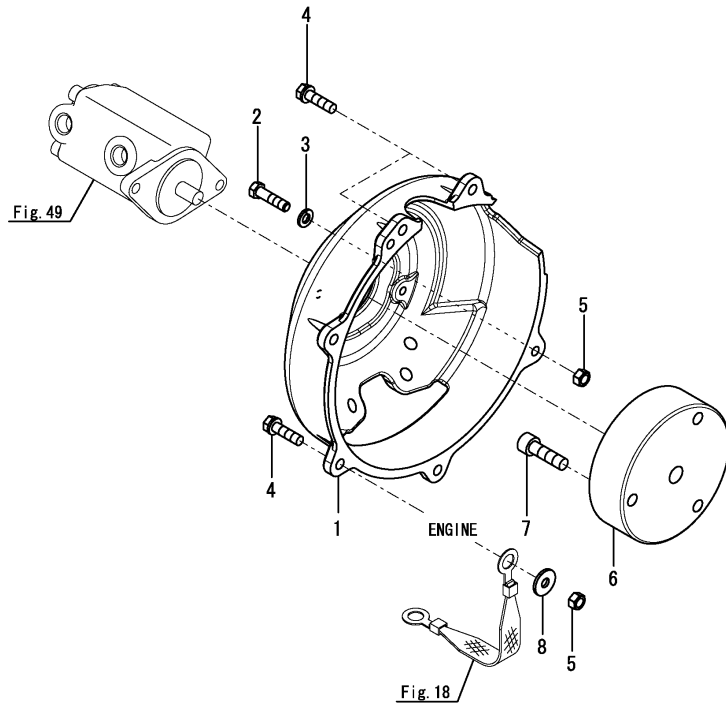


No.	Lev.	Parts No.	Description	Q'ty						I	R
				(A)	(B)	(C)	(D)	(E)	(F)		
1	1	172157-45840	WASHER 8X18X4	2	2						
2	1	172A29-54141	PLATE, SWIVEL	1	1						
3	1	172A29-54180-Y	COVER, FRAME	1	1						
4	1	172A29-54300-Y	COVER, PTO	1	1						
5	2	172446-13530	SEAL, RADIATOR	1	1						
7	1	172A29-54500-N	FRAME,TURNING	1	1						
9	2	172157-54800	BUSH 35X45	2	2						
10	1	1A1380-62160	WASHER	4	4						
11	1	22137-080000	WASHER, 8	2	2						
12	1	26013-080162	BOLT, M8X 16	1	1						
13	1	26013-080252	BOLT, M8X 25	1	1						
14	1	26013-120202	BOLT, M12X 20	2	2						
15	1	26116-080162	BOLT, M8X 16 PLATED	4	4						
16	1	172458-64600	CLIP, TREE		12						

Fig.48. HYDRAULIC PUMP MOUNT

(A)=SV08-1B(US)
 (B)=SV08-1B(KR)
 (C)=

(D)=
 (E)=
 (F)=

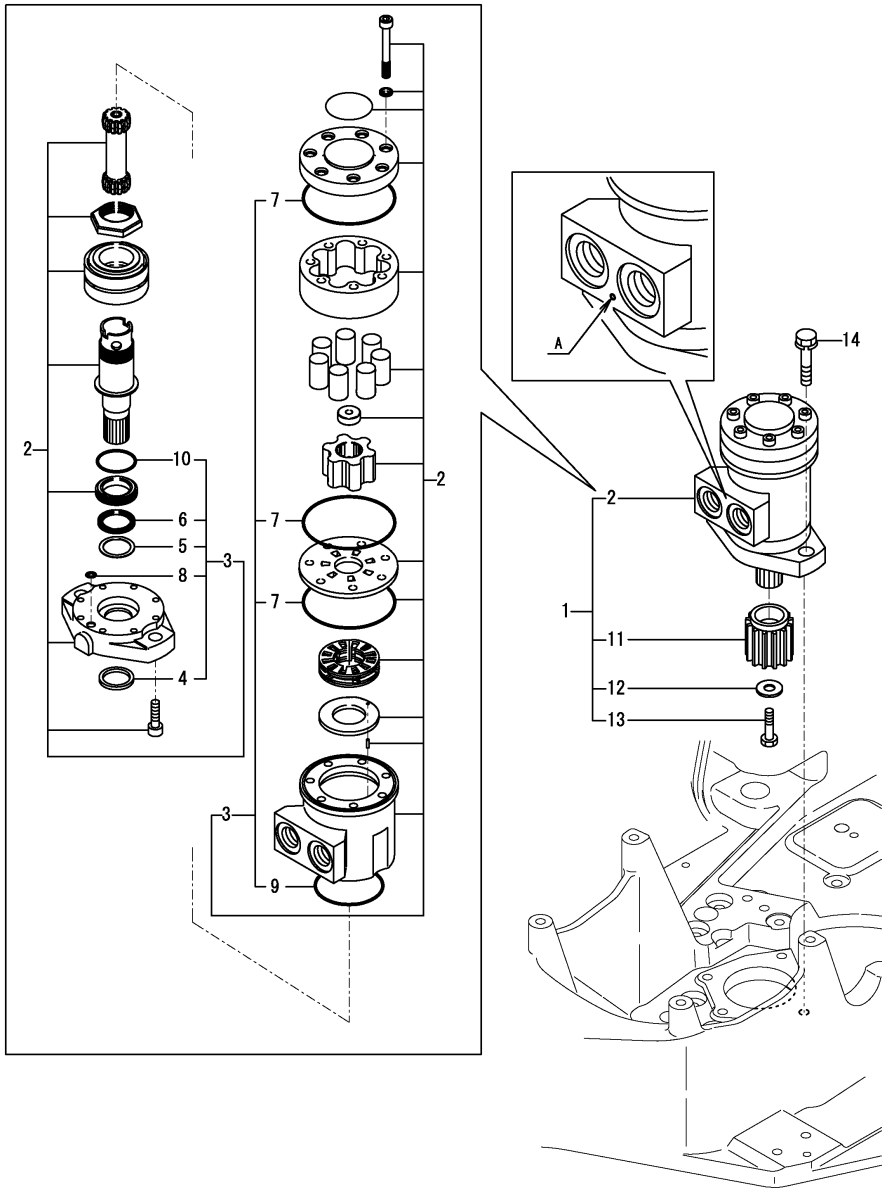


No.	Lev.	Parts No.	Description	Q'ty						I	R
				(A)	(B)	(C)	(D)	(E)	(F)		
1	1	172B19-71100	MOUNT, PUMP	1	1						
2	1	172498-71130	REAMER BOLT,8X32	1	1						
3	1	22217-080000	WASHER, SPRING 8	1	1						
4	1	26013-080302	BOLT, M8X 30	5	5						
5	1	26716-080002	NUT, M8	4	4						
6	1	172498-71200	COUPLING	1	1						
7	1	26450-100352	BOLT, M10X 35	3	3						
8	1	22157-080000	WASHER, 8	1	1						

Fig.57. TURNING MOTOR(N SPEC.)(TO M1B535)

(A)=SV08-1B(US)
 (B)=SV08-1B(KR)
 (C)=

(D)=
 (E)=
 (F)=



No.	Lev.	Parts No.	Description	Q'ty						I	R
				(A)	(B)	(C)	(D)	(E)	(F)		
1	1	172A20-73311	MOTOR ASSY, SWING	1	1						
1-1	1	172A20-73311	MOTOR ASSY, SWING	1	1						Z
		(A=M1B536) (B=M1B536)									
2	2	172A20-73321	MOTOR, SWING	1	1						1
3	3	172A20-73400	SEAL SET	1	1						
4	4	172A20-73410	SEAL, OIL	1	1						
5	4	172A20-73420	BACKUP RING	1	1						
6	4	172A20-73430	X RING	1	1						
7	4	172A20-73440	O-RING	3	3						
8	4	24341-000080	O-RING, 1AS8.0	1	1						
8-1	4	24341-000060	O-RING, 1AS6.0	1	1						N
		(A=*2014.10) (B=*2014.10)									
9	4	24341-000670	O-RING, 1AS67.0	1	1						
10	4	24356-240370	O-RING, 4D24037	1	1						
11	2	172A20-73330	PINION 13T	1	1						
12	2	172A20-73340	WASHER, M10	1	1						
13	2	26450-100202	BOLT, M10X 20	1	1						
14	1	26013-120352	BOLT, SPRING M12X 35	2	2						

Remarks

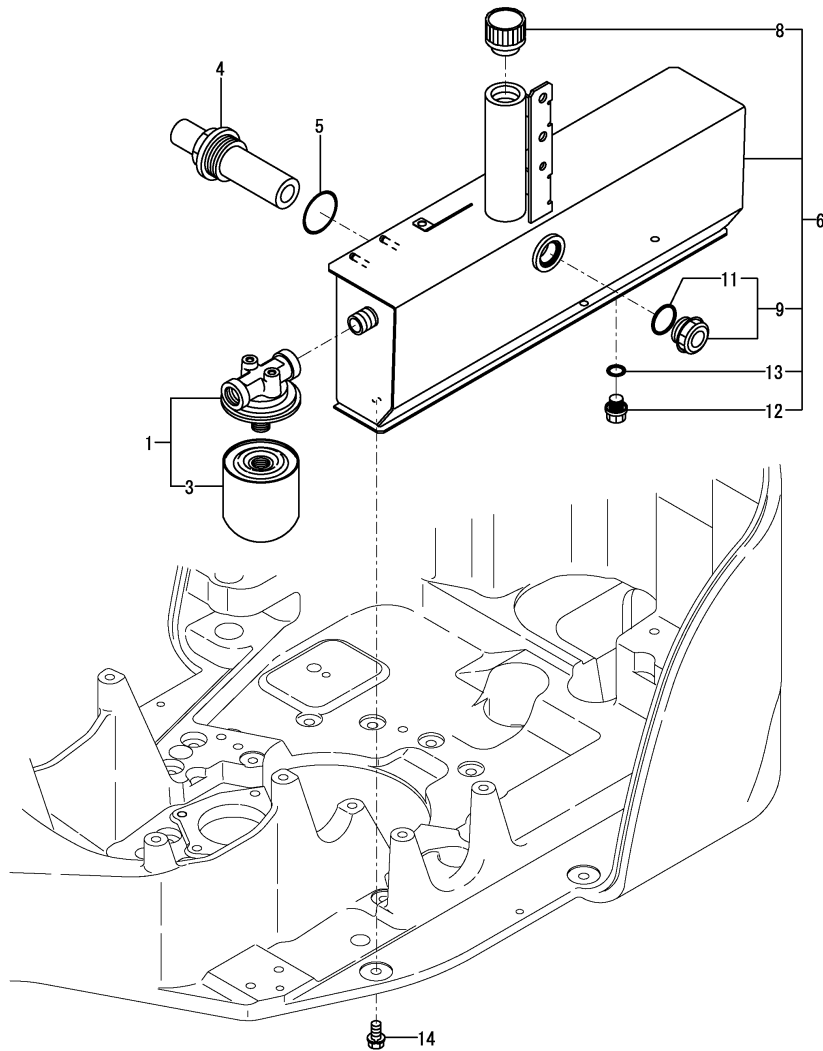
(1)A part : If there is an identification stamp, No.8 is not needed.

N:Old $\xrightarrow{\text{Yes}}$ New, Q:Old $\xrightarrow{\text{No}}$ New, R:Old $\xrightarrow{\text{Yes}}$ New, S:Old $\xrightarrow{\text{No}}$ New, W:Add, Z:Discontinued, F:Interchangeable by set, K:Q'ty Change

Fig.66. HYD. OIL TANK

(A)=SV08-1B(US)
 (B)=SV08-1B(KR)
 (C)=

(D)=
 (E)=
 (F)=



No.	Lev.	Parts No.	Description	Q'ty						I	R
				(A)	(B)	(C)	(D)	(E)	(F)		
1	1	172156-73700	STRAINER, RETURN	1	1						
3	2	172156-73710	ELEMENT, FILTER	1	1						
4	1	172480-73700	FILTER,SUCTION	1	1						
5	1	24315-000440	O-RING 1B P-44.0	1	1						
6	1	772A20-75100	TANK ASSY, RESERVOIR	1	1						1
8	2	172446-75250	CAP, RESERVER	1	1						
9	2	172480-75350	GAUGE ASSY	1	1						
11	3	24311-350220	O-RING, 1AP22A	1	1						
12	2	23491-140002	PLUG, 14	1	1						
13	2	24311-000160	O-RING, 1AP16.0	1	1						
13A	1	172437-03322	LABEL, RESEVOIR	1	1						2
14	2	26013-100252	BOLT, M10X 25	3	3						

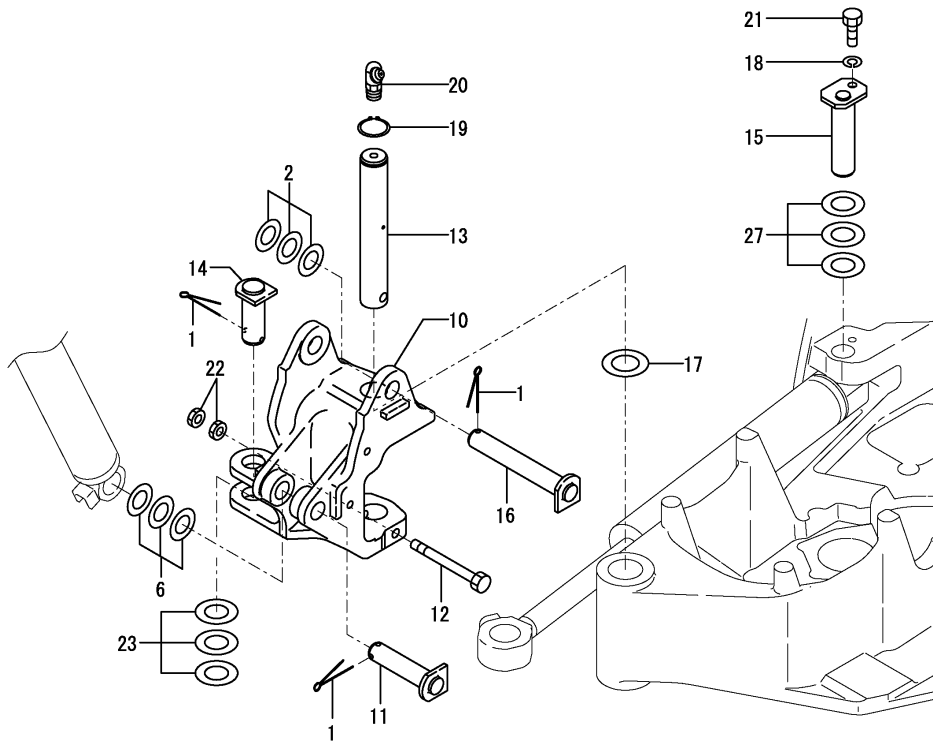
Remarks

- (1) Attach the No.13A label to this part.
- (2) Label is not illustrated.

Fig.76. BOOM BRACKET

(A)=SV08-1B(US)
(B)=SV08-1B(KR)
(C)=

(D)=
(E)=
(F)=



No.	Lev.	Parts No.	Description	Q'ty						I	R
				(A)	(B)	(C)	(D)	(E)	(F)		
1	1	172155-81390	COTTER PIN 6X 35	3	3						
2	1	172156-81400	SHIM ASSY	1	1						
6	1	172156-81400	SHIM ASSY	1	1						
10	1	172446-82300-Y	BRACKET,BOOM	1	1						
11	1	172498-82320	PIN 25X98 ASSY	1	1						
12	1	172157-82340	BOLT 12X 95	1	1						
13	1	172A29-82350	PIN 35X233	1	1						
14	1	172A29-82370	PIN 30X 67	1	1						
15	1	172A29-82400	PIN 30X112	1	1						
16	1	172A29-82450	PIN 25X161	1	1						
17	1	172141-84630	SHIM	1	1						
18	1	22217-100000	WASHER, SPRING 10	1	1						
19	1	22242-000350	RING, 35	1	1						
20	1	24761-050000	NIPPLE, GREASE C	1	1						
21	1	26116-100202	BOLT, M10X 20 PLATED	1	1						
22	1	26756-120002	NUT, LOCK M12	2	2						
23	1	933160-06711	SHIM ASSY	1	1						
27	1	933160-06711	SHIM ASSY	1	1						

CLICK HERE TO **DOWNLOAD** THE COMPLETE MANUAL

- Thank you very much for reading the preview of the manual.
- You can download the complete manual from: www.heydownloads.com by clicking the link below



- Please note: If there is no response to CLICKING the link, please download this PDF first and then click on it.

CLICK HERE TO **DOWNLOAD** THE COMPLETE MANUAL