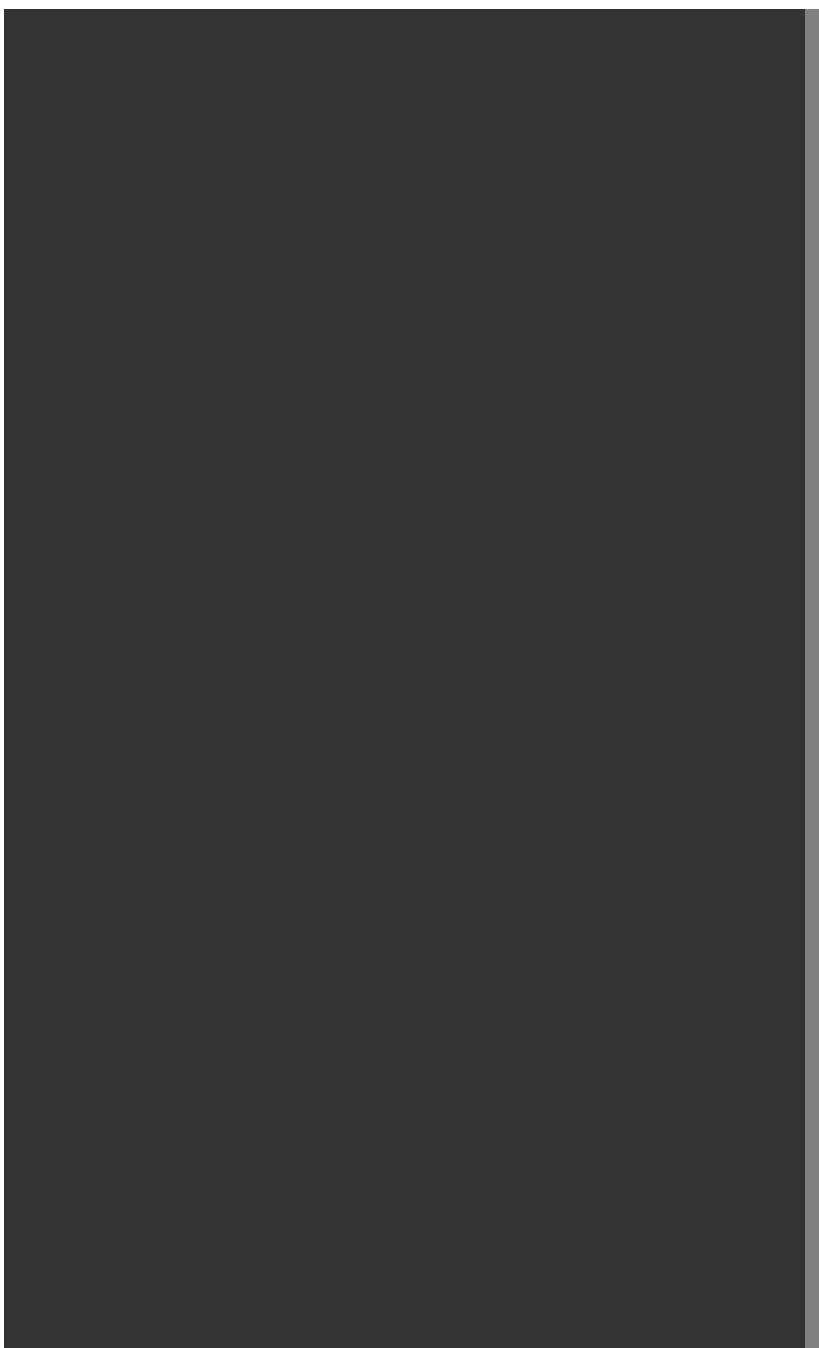


0CS10-M56800EN



CLICK HERE TO **DOWNLOAD** THE COMPLETE MANUAL

- Thank you very much for reading the preview of the manual.
- You can download the complete manual from: www.heydownloads.com by clicking the link below



- Please note: If there is no response to CLICKING the link, please download this PDF first and then click on it.

CLICK HERE TO **DOWNLOAD** THE COMPLETE MANUAL

Fig.3. CHASSIS(HEATER-ONLY COMPLETING)

(A)=S270V

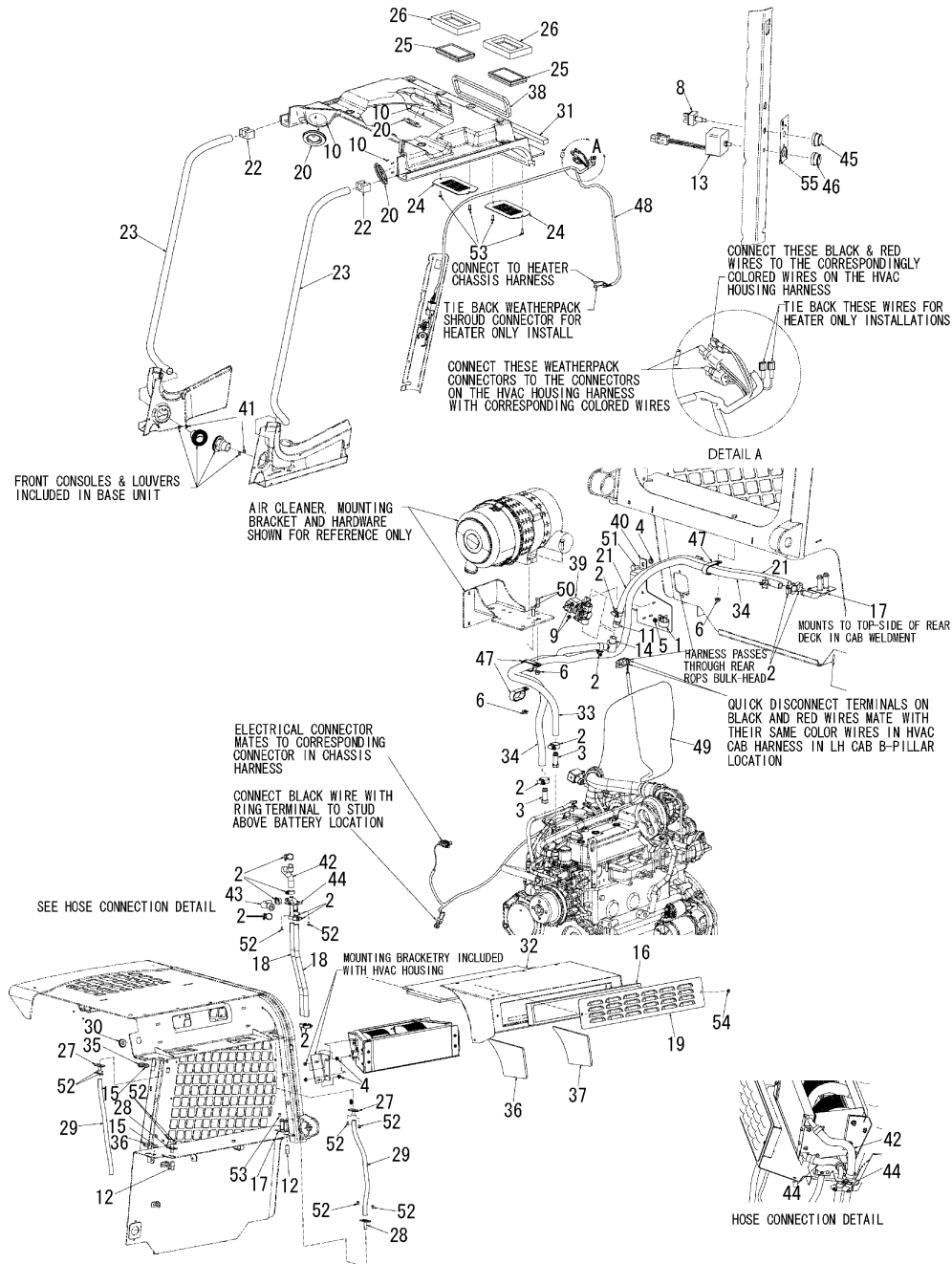
(B)=

(C)=

(D)=

(E)=

(F)=

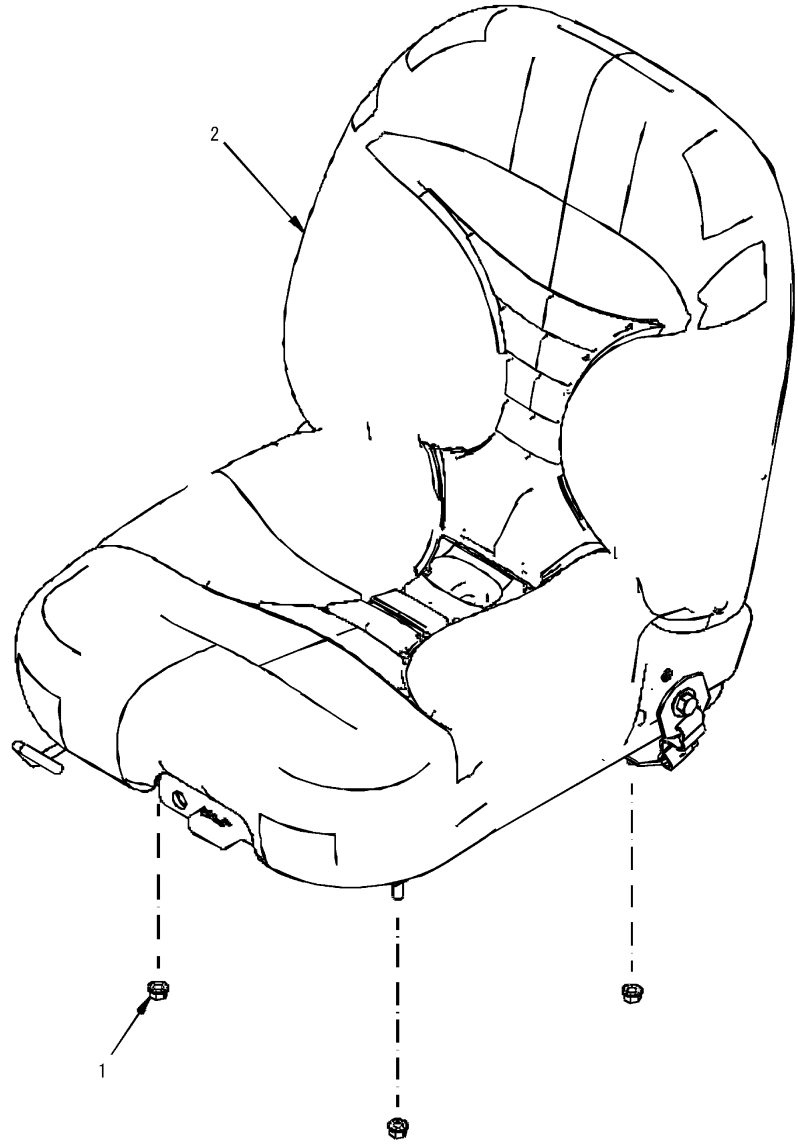


No.	Lev.	Parts No.	Description	Q'ty						I	R
				(A)	(B)	(C)	(D)	(E)	(F)		
52	1	172215-03110	SCREW	12							
53	1	172551-10010	SCREW	4							
54	1	172218-02210	KNOB, CLAMPING	2							
55	1	172218-04370	LABEL, FAN SPEED	1							

Fig.11. SEATS - STANDARD AND SUSPENSION(STANDARD AND AIR SUSPENSION SEAT)

(A)=S270V
(B)=
(C)=

(D)=
(E)=
(F)=



No.	Lev.	Parts No.	Description	Q'ty						I	R
				(A)	(B)	(C)	(D)	(E)	(F)		
1	1	172215-06620	NUT	4							
2	1	172218-02290	SEAT, SUSPENSION	1							
3	1	172218-04270	SLIDE KIT	1							1
4	1	172218-04280	VINYL KIT, CUSHION	1							1
5	1	172218-04290	VINYL KIT, CUSHION	1							1
6	1	172218-04300	PANEL KIT ,BACK	1							1
7	1	172218-04310	DRAIN, WATER	1							1
8	1	172218-04350	TETHER KIT	1							1
9	1	172218-04360	SWITCH KIT, SAFETY	1							1
10	1	172218-02480	SEAT, AIR SUSPENSION	1							1
11	1	172218-04260	SPRING&SADDLE KIT	1							1
12	1	172218-04270	SLIDE KIT	1							1
13	1	172218-04280	VINYL KIT, CUSHION	1							1
14	1	172218-04290	VINYL KIT, CUSHION	1							1
15	1	172218-04300	PANEL KIT ,BACK	1							1
16	1	172218-04310	DRAIN, WATER	1							1
17	1	172218-04320	WIRE HARNESS	1							1
18	1	172218-04330	COMPRESSOR KIT	1							1
19	1	172218-04340	VALVE KIT, AIR	1							1
20	1	172218-04350	TETHER KIT	1							1
21	1	172218-04360	SWITCH KIT, SAFETY	1							1

Remarks
(1) Not shown in illustration.

Fig.21. ENGINE

(A)=S270V

(B)=

(C)=

(D)=

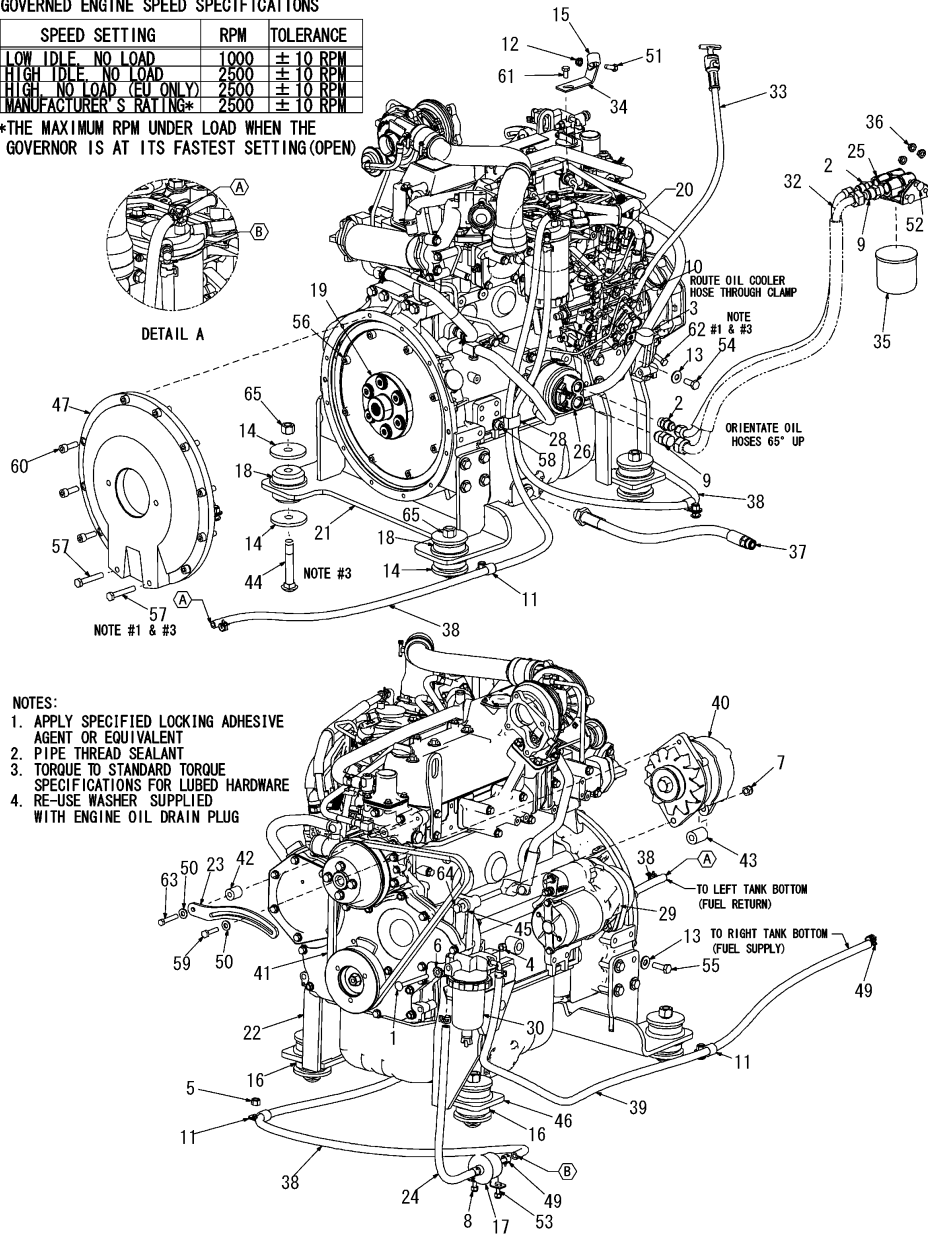
(E)=

(F)=

GOVERNED ENGINE SPEED SPECIFICATIONS

SPEED SETTING	RPM	TOLERANCE
LOW IDLE, NO LOAD	1000	± 10 RPM
HIGH IDLE, NO LOAD	2500	± 10 RPM
HIGH, NO LOAD (EU ONLY)	2500	± 10 RPM
MANUFACTURER'S RATING*	2500	± 10 RPM

*THE MAXIMUM RPM UNDER LOAD WHEN THE GOVERNOR IS AT ITS FASTEST SETTING (OPEN)



- NOTES:
1. APPLY SPECIFIED LOCKING ADHESIVE AGENT OR EQUIVALENT
 2. PIPE THREAD SEALANT
 3. TORQUE TO STANDARD TORQUE SPECIFICATIONS FOR LUBED HARDWARE
 4. RE-USE WASHER SUPPLIED WITH ENGINE OIL DRAIN PLUG

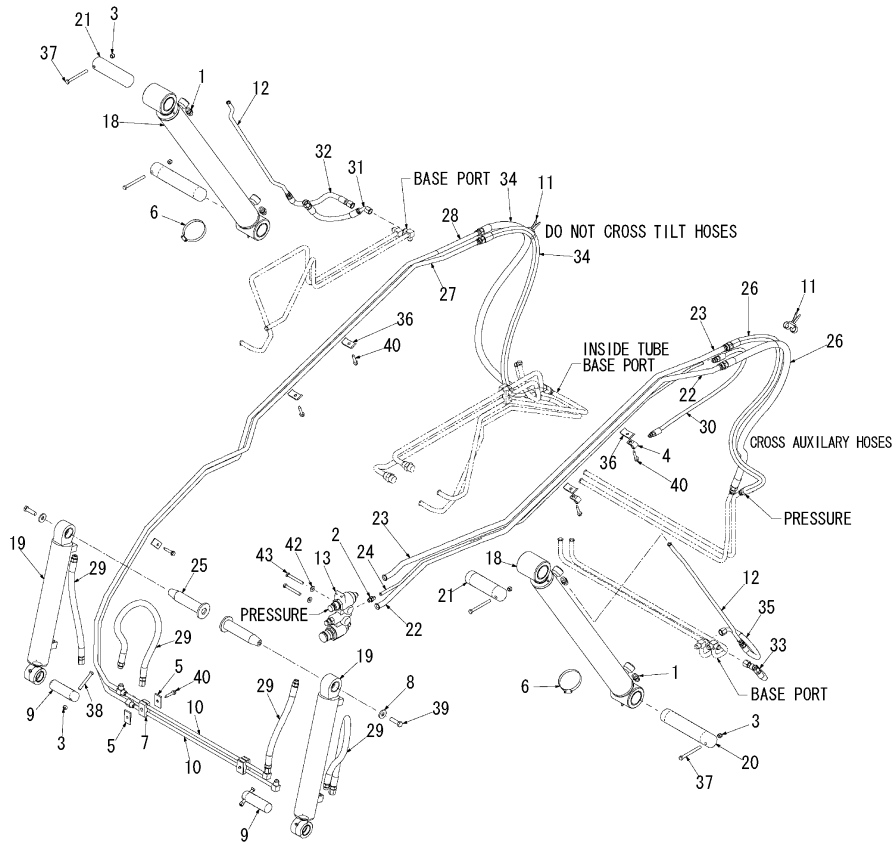
No.	Lev.	Parts No.	Description	(A)	(B)	(C)	(D)	(E)	(F)	Qty	I	R
1	1	172218-05920	BOLT							1		
2	1	172551-00040	FITTING							2		
3	1	172216-00080	CLAMP							1		
4	1	172551-00150	NUT							1		
5	1	172551-00180	NUT							3		
6	1	172551-00240	NUT							1		
7	1	172216-00180	NUT							1		
8	1	172551-00250	NUT							2		
9	1	172551-00320	CONNECTOR							2		
10	1	172215-00530	SPACER							1		
11	1	172551-00990	CLAMP							3		
12	1	172551-01060	NUT							1		
13	1	172216-01470	WASHER							16		
14	1	172551-01240	WASHER							8		
15	1	172551-01270	CLAMP							1		
16	1	172551-01310	ISOLATOR							2		
17	1	119225-52102	PUMP ASSY, FUEL FEED							1		
18	1	172216-04700	ISOLATOR							2		
19	1	172551-02460	COUPLER							1		
20	1	129907-55801	FILTER, FUEL							1		
21	1	172217-01370	MOUNT, ENGINE							1		
22	1	172217-01390	MOUNT, ENGINE							1		
23	1	172551-02510	BRACKET, ALTERNATOR							1		
24	1	172217-00840	HOSE, FUEL							1		
25	1	172551-02540	MOUNT, FILTER							1		
26	1	172551-02550	ADAPTOR, FILTER							1		
27	1	172216-11900	O-RING 230 N70							1		1
28	1	172551-02560	CLAMP							1		
29	1	129940-77011	STARTER							1		
30	1	129242-55711	SEPARATOR ASSY							1		
31	1	129242-55730	ELEMENT							1		1
32	1	172217-04910	HOSE 1/2 X 30							1		
33	1	172551-02600	DIPSTICK ASSY							1		
34	1	172551-02610	BRACKET, DIPSTICK							1		
35	1	129150-35153	FILTER							1		
36	1	172215-06620	NUT							3		
37	1	172216-07390	HOSE ASSY							1		
38	1	172218-01160	HOSE, FUEL							2		
39	1	172218-01170	HOSE, FUEL							1		
40	1	172551-02920	ALTERNATOR							1		
41	1	129940-42240	V-BELT, B44							1		
42	1	172551-02950	SPACER							1		
43	1	172551-02960	SPACER							1		
44	1	172218-01490	BOLT							4		
45	1	172551-02980	SPACER							1		
46	1	172217-03590	MOUNT, ENGINE							1		
47	1	172216-08590	HOUSING, FLYWHEEL							1		
49	1	172217-04270	CLAMP							8		
50	1	172216-09250	WASHER							2		
51	1	172551-09510	SCREW							1		
52	1	172551-09810	BOLT							3		

Remarks
(1) Not shown in illustration.

Fig.29. HYDRAULICS - LIFT ARM(STANDARD HYDRAULICS)

(A)=S270V
(B)=
(C)=

(D)=
(E)=
(F)=



No.	Lev.	Parts No.	Description	Q'ty						I	R
				(A)	(B)	(C)	(D)	(E)	(F)		
1	1	172551-00040	FITTING	4							
2	1	172551-00070	FITTING	1							
3	1	172551-00180	NUT	6							
4	1	172215-00340	CLAMP	2							
5	1	172551-00510	PLATE	4							
6	1	172551-00630	CLAMP	2							
7	1	172216-00460	CLAMP	2							
8	1	172216-01770	WASHER	2							
9	1	172216-01810	PIN	2							
10	1	172218-00110	TUBE, CROSSMEMBER	2							
11	1	172217-00270	TIE, DUAL CLAMP	2							
12	1	172218-05960	LINE, LIFT CYLINDER	2							
13	1	172551-02030	BLOCK, COUPLER	1							
14	1	172551-02200	COUPLER	1							1
15	1	172551-02210	COUPLER	1							1
16	1	172551-02220	COUPLER	1							1
17	1	172551-02230	FITTING	1							1
18	1	172218-00540	CYLINDER, LIFT	2							2
19	1	172218-00570	CYLINDER, TILT	2							3
20	1	172218-00730	PIN, PIVOT	2							
21	1	172218-00750	PIN, PIVOT	2							
22	1	172218-00900	TUBE, AUX. LOWER	1							
23	1	172218-00910	TUBE, AUX. UPPER	1							
24	1	172218-00980	TUBE, DRAIN AUX.	1							
25	1	172218-01240	PIN, WELDMENT	2							
26	1	172218-04630	HOSE	2							
27	1	172218-01370	TUBE, TILT	1							
28	1	172218-01380	TUBE, TILT	1							
29	1	172216-07870	HOSE	4							
30	1	172218-01630	HOSE	1							
31	1	172218-01640	HOSE	1							
32	1	172218-01650	HOSE	1							
33	1	172218-02070	HOSE	1							
34	1	172218-02430	HOSE	2							
35	1	172218-03470	HOSE	1							
36	1	172215-08920	CLAMP	5							
37	1	172216-09400	SCREW	4							
38	1	172215-02950	SCREW	2							
39	1	172216-09570	SCREW	2							
40	1	172218-05820	SCREW	5							
41	1	172218-04530	SCREW	2							1
42	1	172551-10370	WASHER	2							
43	1	172218-04960	SCREW	2							

Remarks

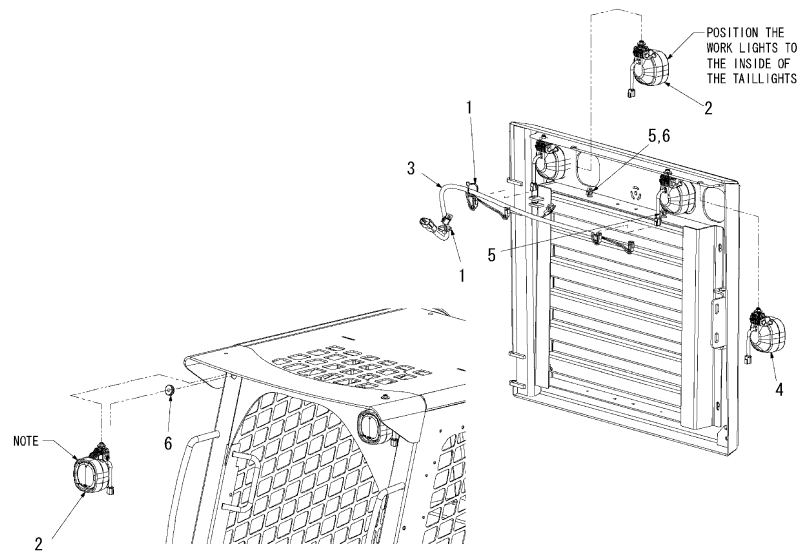
- (1) Not shown in illustration.
- (2) For breakdown see Fig.No.49.
- (3) For breakdown see Fig.No.50.

Fig.38. ELECTRICAL - LIGHTS

(A)=S270V
(B)=
(C)=

(D)=
(E)=
(F)=

No.	Lev.	Parts No.	Description	Q'ty						I	R
				(A)	(B)	(C)	(D)	(E)	(F)		
1	1	172551-00370	TIE, CABLE	2							
2	1	172218-01010	LIGHT, WHITE, 55W	4							1
3	1	172218-01450	HARNESS, TAILLIGHT	1							
4	1	172218-02120	LIGHT, RED, 35W	2							2
5	1	172218-02350	CLIP, WIRE HARNESS	2							
6	1	172551-03040	GROMMET	2							



NOTE:
FORWARD WORK LIGHTS ARE TO BE INSTALLED WITH THE LIGHT HOUSING ANGLED 10 DEGREES DOWNWARD FROM THE HORIZONTAL AND 10 DEGREES OUT FROM THE CENTERLINE OF THE MACHINE.

Remarks

- (1) Order replacement 55 W bulb part number 172217-05070.
- (2) Order replacement 35 W bulb part number 172217-05080.

CLICK HERE TO **DOWNLOAD** THE COMPLETE MANUAL

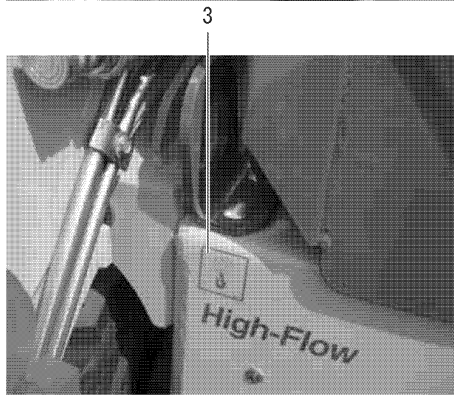
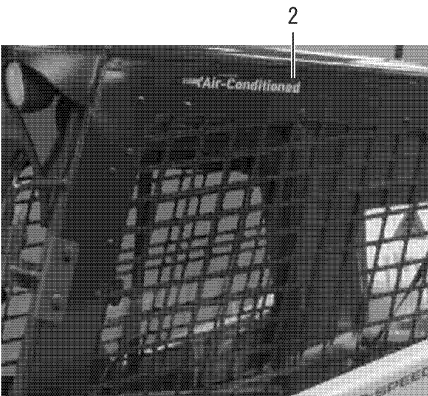
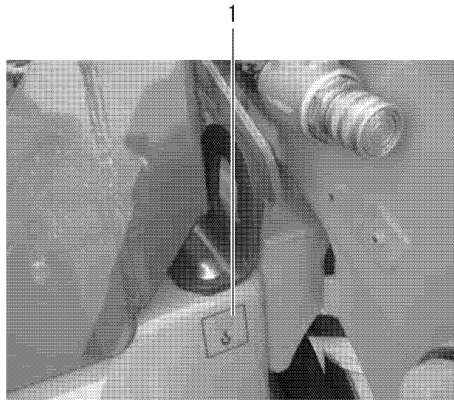
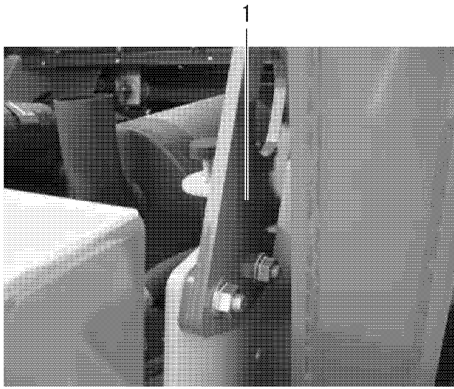
- Thank you very much for reading the preview of the manual.
- You can download the complete manual from: www.heydownloads.com by clicking the link below



- Please note: If there is no response to CLICKING the link, please download this PDF first and then click on it.

CLICK HERE TO **DOWNLOAD** THE COMPLETE MANUAL

Fig.48. DECALS(6)

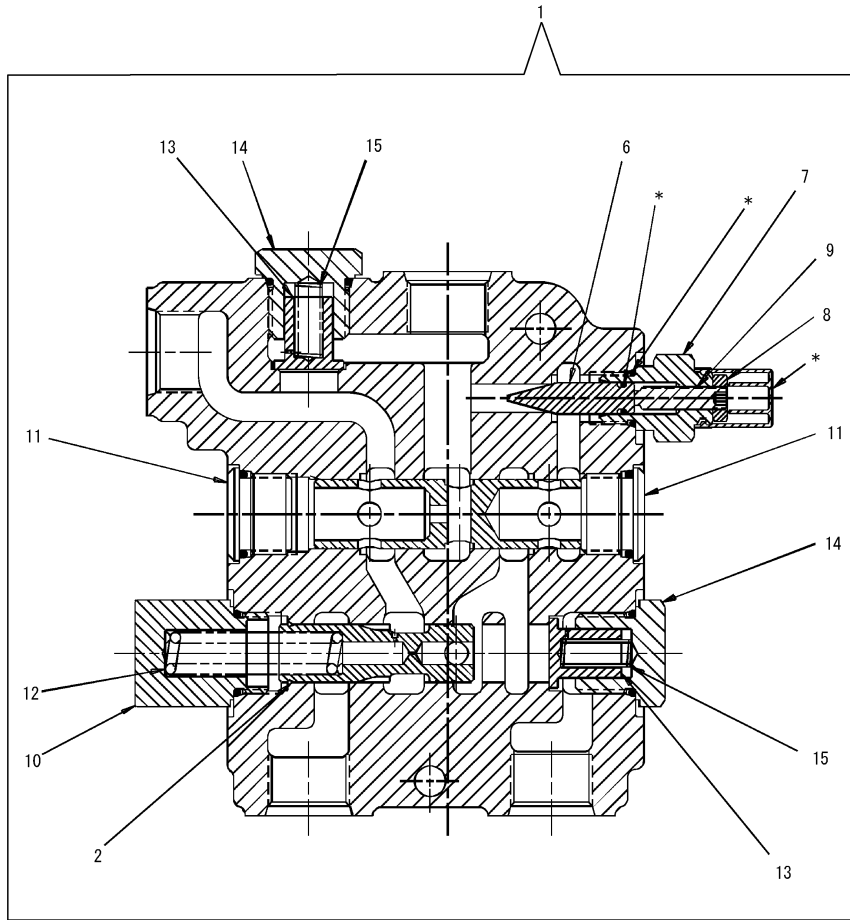


(A)=S270V
(B)=
(C)=

(D)=
(E)=
(F)=

No.	Lev.	Parts No.	Description	Q'ty						I	R
				(A)	(B)	(C)	(D)	(E)	(F)		
1	1	172551-01570	LABEL,LIFT POINT	4							
2	1	172216-02760	LABEL, A/C	2							
3	1	172551-01570	LABEL,LIFT POINT	4							

Fig.58. SELF-LEVELING VALVE



(A)=S270V
(B)=
(C)=

(D)=
(E)=
(F)=

No.	Lev.	Parts No.	Description	Q'ty						I	R
				(A)	(B)	(C)	(D)	(E)	(F)		
1	1	172551-01230	VALVE, SELF-LEVEL	1							
2	2	172551-06760	RING,RETAINING	1							
6	2	172551-00530	PIN	1							
7	2	172551-00540	CAP,ADJUSTMENT	1							
8	2	172551-00550	NUT	1							
9	2	172551-00560	SCREW SET	1							
10	2	172551-01010	PLUG ASSY	1							
11	2	172551-00570	PLUG ASSY	2							
12	2	172551-00710	SPRING	1							
13	2	172551-00680	LOAD CHECK	2							
14	2	172551-00670	PLUG ASSY	2							
15	2	172551-00660	SPRING	2							
16	2	172551-01020	SEAL KIT	1							1

Remarks

* Items part of the Seal Kit - 172551-01020.

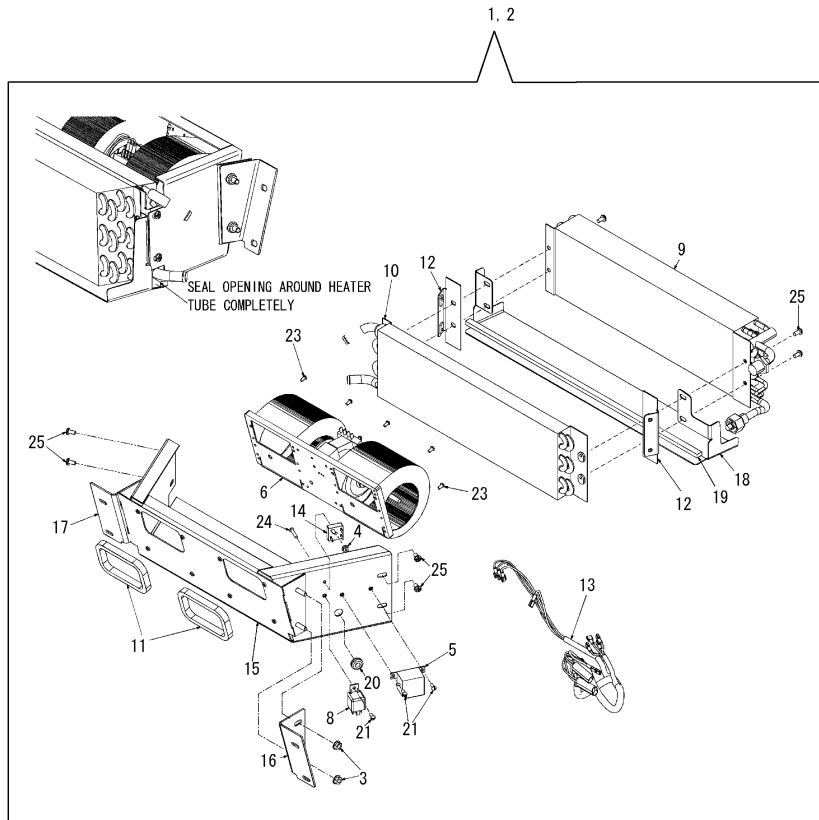
(1) Asterisk (*) Ref.Nos. are included in Ref.No.16.

Not shown in illustration.

Fig.68. HEATER HOUSING AND HVAC HOUSING ASSEMBLY

(A)=S270V
(B)=
(C)=

(D)=
(E)=
(F)=



No.	Lev.	Parts No.	Description	Q'ty						I	R
				(A)	(B)	(C)	(D)	(E)	(F)		
1	1	172218-00770	HOUSING ASSY, HVAC	1							
2	1	172218-03430	HOSING ASSY, HEATER	1							
3	2	172551-01060	NUT	4							
4	2	172551-01590	FLANGE	1							
5	2	172551-01670	SWITCH, PRESET	1							1
6	2	172551-02260	BLOWER ASSY	1							
7	2	172551-02580	BLOWER	1							2
8	2	172216-07930	RELAY, SEALED	1							
9	2	172218-02180	EVAPORATOR	1							1
10	2	172218-02190	CORE, HEATER	1							
11	2	172218-02200	FOAM, SEAL	2							
12	2	172218-02830	FLANGE, CORE MOUNT	2							
13	2	172218-02920	HARNES, HVAC BOX	1							
14	2	172218-02930	RECTIFIER PACK	1							
15	2	172218-03880	MOUNT, BLOWER	1							
16	2	172218-03890	BRACKET, HOUSING	1							
17	2	172218-03900	BRACKET, HOUSING	1							
18	2	172218-04690	PLATE, DRIP HVAC	1							1
19	2	172218-04700	PAD, SEALING	1							1
20	2	172551-06780	GROMMET	1							
21	2	172551-09610	SCREW	3							1
22	2	172551-09610	SCREW	9							3
23	2	172218-05010	SCREW	8							1
24	2	172218-05060	SCREW	1							
25	2	172215-03110	SCREW	8							

Remarks

* Heater housing 172218-03430.

(1) HVAC only.

(2) Includes resistor block.

Not shown in illustration.

(3) Heater only.

Not shown in illustration.

Fig.78. CAB DOOR KIT

(A)=S270V

(B)=

(C)=

(D)=

(E)=

(F)=

No.	Lev.	Parts No.	Description	Q'ty						I	R
				(A)	(B)	(C)	(D)	(E)	(F)		
1	1	172218-05360	DOOR KIT, CAB	1							
2	2	172215-00550	STUD, BALL	2							
3	2	172218-02980	BACKER, HINGE	1							
4	2	172218-02990	HINGE, DOOR	1							
5	2	172218-03000	LATCH, DOOR	1							
6	2	172218-03010	COVER, LATCH	1							
7	2	172218-03020	STRIKER	1							
8	2	172218-03040	COVER, WIPER MOTOR	1							
9	2	172218-03050	PLATE, PANTOGRAPH	1							
10	2	172218-03060	ARM, WIPER	1							
11	2	172218-03070	BLADE, WIPER ASSY	1							
12	2	172218-03080	SPRING, GAS	1							
13	2	172218-03090	CLIP, WIPER HOSE	1							
14	2	172218-03100	GROMMET, WASHER HOSE	1							
15	2	172218-03110	ELBOW, WASHER HOSE	1							
16	2	172218-03120	HOSE, WASHER	1							
17	2	172551-03100	HEAD, SPRITZER	1							
18	2	172218-03130	SEAL, RAIN, WIPER	1							
19	2	172218-03150	GROMMET, DRIVE SHAFT	1							
20	2	172218-03160	WASHER	1							
21	2	172218-03170	BUSHING	5							
22	2	172218-03180	WASHER	5							
23	2	172218-03190	WASHER	5							
24	2	172218-03200	ELBOW, WASHER HOSE	1							
25	2	172218-03210	SEAL, BULB	1							
26	2	172218-03250	SCREW	5							
27	2	172218-03270	WASHER	10							
28	2	172218-03280	LOCK NUT	5							
29	2	172218-03310	SCREW	6							
30	2	172218-03320	WASHER	5							
31	2	172218-03330	SCREW	2							
32	2	172218-03340	SCREW	1							
33	2	172218-03350	NUT	1							
34	2	172218-03360	NUT	1							
35	2	172218-03370	NUT	1							
36	2	172218-03380	WASHER	1							
37	2	172218-03390	NUT	1							
38	2	172218-03400	WASHER	1							
39	2	172218-03490	GASKET SET	1							
40	2	172218-03500	BUSHING, BRONZE	2							
41	2	172218-03510	BUSHING	4							
42	2	172218-03520	BUSHING	2							
43	2	172218-04140	BARCKET, MOUNTING	1							
44	2	172218-04150	SCREW	1							
45	2	172218-04160	SCREW	2							
46	2	172218-04380	PLATE, MOUNT	1							
47	2	172218-04390	HINGE, CABSIDE	2							
48	2	172218-04400	SCREW	2							
49	2	172218-04410	GASKET, MOUNT	1							
50	2	172218-04420	PLUG	2							
51	2	172218-04430	GLASS KIT, FR DOOR	1							

N:Old $\begin{matrix} \text{Yes} \\ \text{No} \end{matrix}$ New, Q:Old $\begin{matrix} \text{No} \\ \text{Yes} \end{matrix}$ New, R:Old $\begin{matrix} \text{Yes} \\ \text{No} \end{matrix}$ New, S:Old $\begin{matrix} \text{No} \\ \text{Yes} \end{matrix}$ New, W:Add, Z:Discontinued, F:Interchangeable by set, K:Q'ty Change
 ++ CONTINUE ++
 Copyright (C) YANMAR CO., LTD. All Rights Reserved.

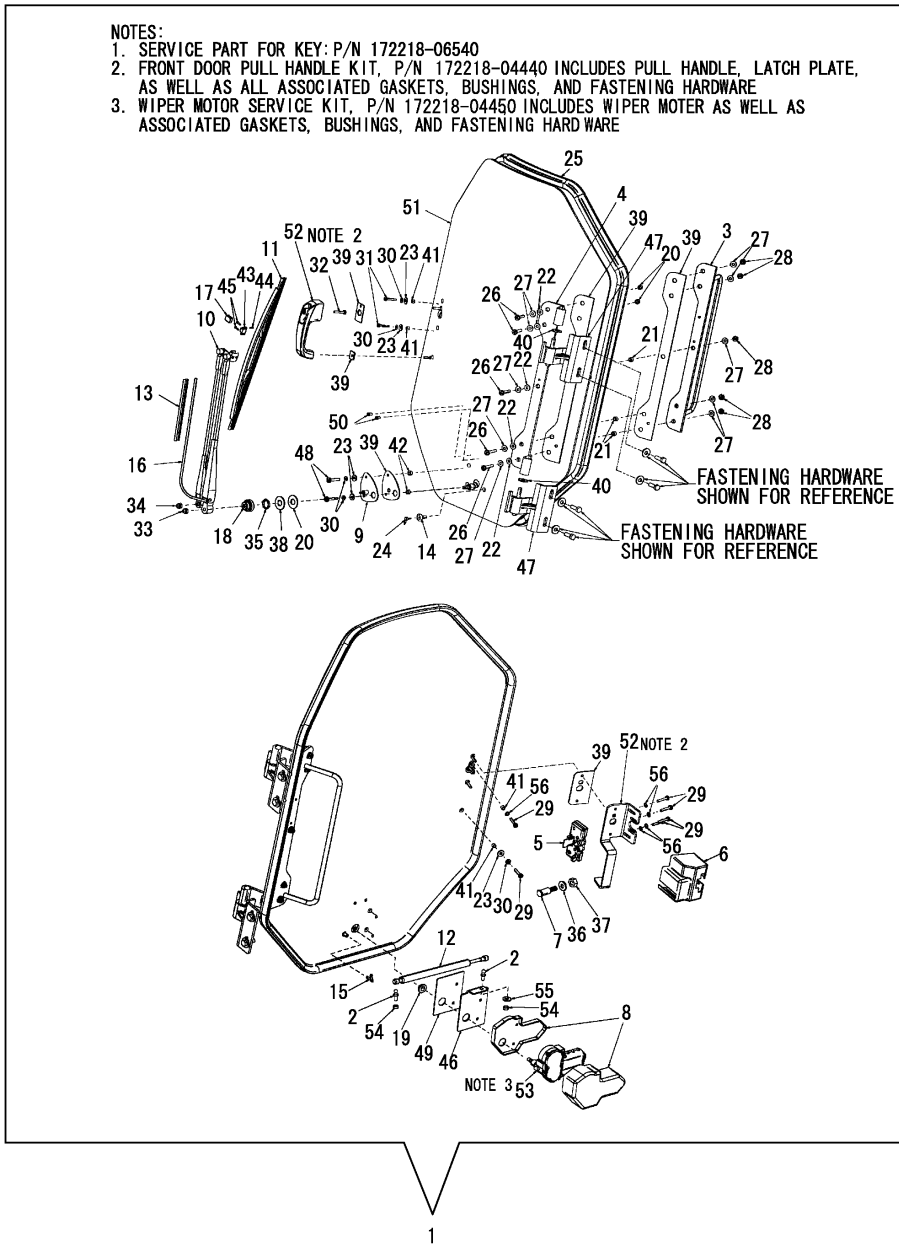


Fig.96. IMPACT-RESISTANT DOOR KIT

(A)=S270V

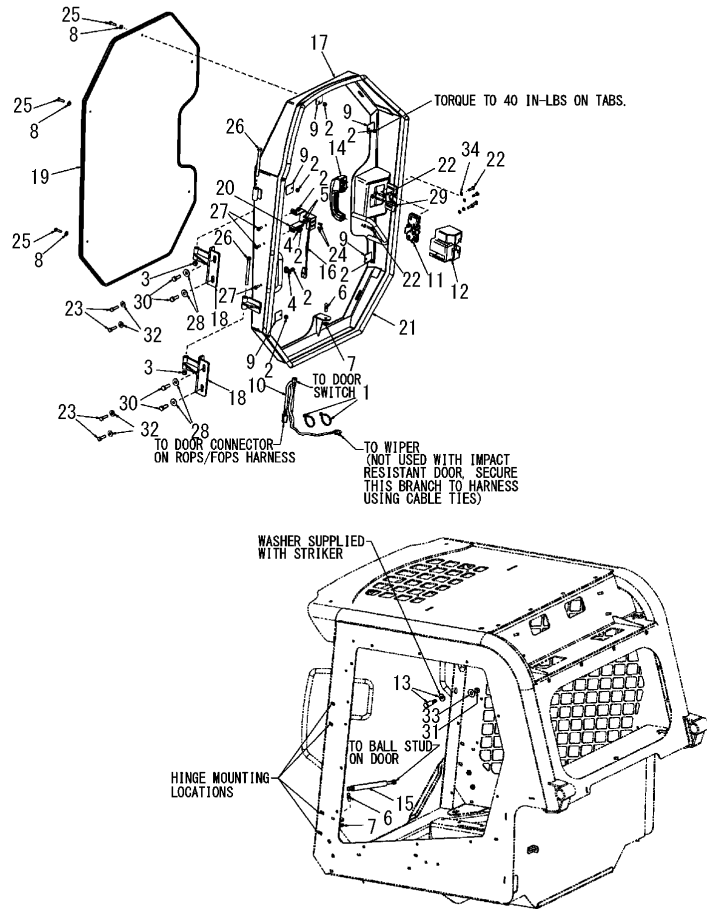
(B)=

(C)=

(D)=

(E)=

(F)=



No.	Lev.	Parts No.	Description	Q'ty						I	R
				(A)	(B)	(C)	(D)	(E)	(F)		
1	1	172551-00120	TIE, CABLE	2							
2	1	172551-00250	NUT	8							
3	1	172551-00280	NUT	2							
4	1	172551-00420	CLAMP	2							
5	1	172218-00030	LOCK NUT	2							
6	1	172215-00550	STUD, BALL	2							
7	1	172551-01060	NUT	2							
8	1	172551-01430	WASHER	5							
9	1	172216-04340	TAB, LEXAN DOOR	5							
10	1	172218-02900	HARNESS, DOOR	1							
11	1	172218-03000	LATCH, DOOR	1							
12	1	172218-03010	COVER, LATCH	1							
13	1	172218-03020	STRIKER	1							
14	1	172218-03030	HANDLE ASSY	1							
15	1	172218-03080	SPRING, GAS	1							
16	1	172218-04640	SENSOR, PROXIMITY	1							
17	1	172218-04890	FRAME, DOOR	1							
18	1	172218-05660	HINGE	2							
19	1	172218-05680	PANEL, IMPACT	1							
20	1	172218-05720	SENSOR	1							
21	1	172218-05730	SEAL, BULB	1							
22	1	172218-05880	SCREW	6							
23	1	172218-04980	SCREW	2							
24	1	172551-09880	SCREW	5							
25	1	172216-09450	SCREW	2							
26	1	172551-10010	SCREW	3							
27	1	172218-05090	WASHER	4							
28	1	172218-05120	SCREW	1							
29	1	172218-05200	NUT	1							
30	1	172215-03340	WASHER	1							
31	1	172218-05220	WASHER	4							
32	1	172218-05230	SCREW	4							
33	1	172218-05240	WASHER	1							
34	1	172218-05250	WASHER	2							

CLICK HERE TO **DOWNLOAD** THE COMPLETE MANUAL

- Thank you very much for reading the preview of the manual.
- You can download the complete manual from: www.heydownloads.com by clicking the link below



- Please note: If there is no response to CLICKING the link, please download this PDF first and then click on it.

CLICK HERE TO **DOWNLOAD** THE COMPLETE MANUAL