



PARTS CATALOG

Published

2008/7 (Jul.)

0CF10-G50602

CLICK HERE TO **DOWNLOAD** THE COMPLETE MANUAL

- Thank you very much for reading the preview of the manual.
- You can download the complete manual from: www.heydownloads.com by clicking the link below



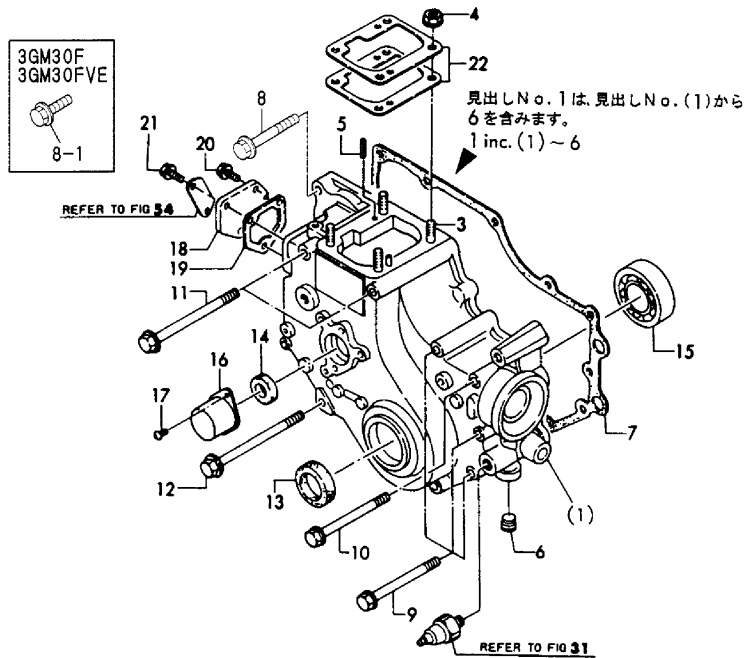
- Please note: If there is no response to CLICKING the link, please download this PDF first and then click on it.

CLICK HERE TO **DOWNLOAD** THE COMPLETE MANUAL

Fig.4. GEAR HOUSING

P/C NEWS No.:Y00F5062-2
PUBLISHED:2000/11

Fig.4 ギヤケース
GEAR HOUSING



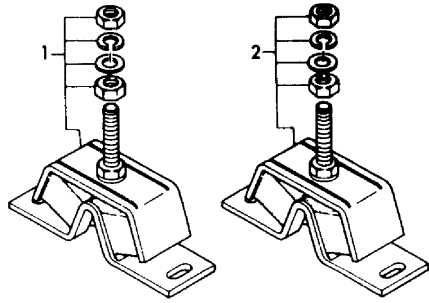
(A)=3GM30
(B)=3GM30VE
(C)=3GM30B

(D)=3GM30C
(E)=3GM30F
(F)=3GM30FVE

REF.	LEV.	PARTS NO.	DESCRIPTION	Q'TY						I	R	
				(A)	(B)	(C)	(D)	(E)	(F)			
1	1	728370-01610	HOUSING ASSY, GEARS			1		1				
3	2	121450-01560	STUD M 8X 22			4		4				
4	2	26366-080002	NUT M 8			4		4				
5	2	22351-040010	SPRING PIN 4X10			2		2				
6	2	124060-01050	PLUG PT1/8			1		1				
7	1	121575-01510	GASKET, GEAR HOUSING			1		1				
7-1	1	121575-01511	GASKET, (NON-ASB.) (C=E/#00343)			1		1		1		N
8	1	26106-080602	BOLT M 8X 60 PLATED			2		2		2		
1	8-1	26106-080302	BOLT M 8X 30 PLATED							2		S
9	1	26106-080852	BOLT M 8X 85 PLATED							5		
10	1	26106-080902	BOLT M 8X 90 PLATED							1		
11	1	26106-081152	BOLT M 8X115 PLATED							2		
12	1	26106-081152	BOLT M 8X115 PLATED							2		
13	1	121450-01800	SEAL, OIL							1		
13-1	1	121450-01801	SEAL TC25 40 8, OIL (C=E/#00343)							1		N
14	1	128270-01820	SEAL SC16 28 6, OIL							1		
15	1	24101-063050	BALL BEARING							1		
16	1	128670-01830	COVER, BLIND							1		
17	1	26557-060102	SCREW 6X10							2		
18	1	121000-01850	COVER, CYL BLOCK							1		
19	1	121575-01860	GASKET, COVER							1		
19-1	1	121575-01861	GASKET, (NON-ASB.) (C=E/#00343)							1		N
20	1	26106-060122	BOLT M 6X 12 PLATED							1		
21	1	26106-060142	BOLT M 6X 14 PLATED							2		
22	1	121450-01951	SHIM SET							1		

Fig.14. FLEXIBLE MOUNT

Fig. 14 フレキシブルマウント
FLEXIBLE MOUNT



OCF10-G50602 14. FLEXIBLE MOUNT

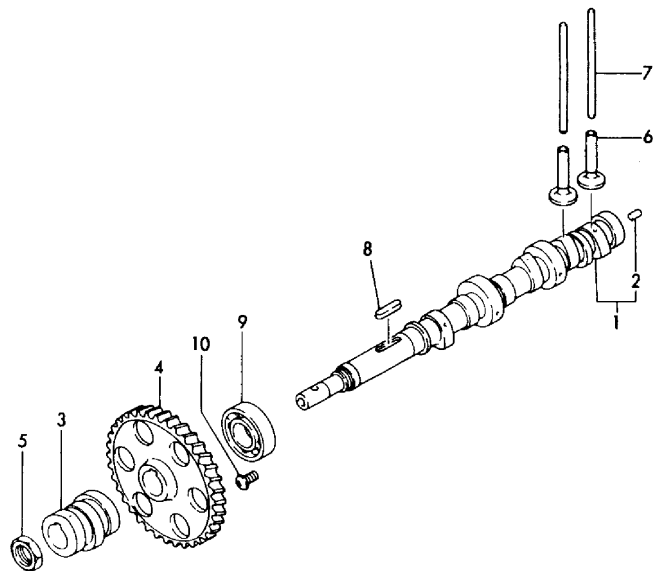
(A)=3GM30
(B)=3GM30VE
(C)=3GM30B

(D)=3GM30C
(E)=3GM30F
(F)=3GM30FVE

REF.	LEV.	PARTS NO.	DESCRIPTION	Q'TY						I	R
				(A)	(B)	(C)	(D)	(E)	(F)		
1	1	124772-08341	MOUNTING, FLEXIBLE	2	4	2	2	2	4		
2	1	128270-08341	MOUNTING, FLEXIBLE	2		2		2			

Fig.23. CAMSHAFT

Fig.23 カムシャフト
CAMSHAFT



OCF10-G50602 23. CAMSHAFT

(A)=3GM30
(B)=3GM30VE
(C)=3GM30B

(D)=3GM30C
(E)=3GM30F
(F)=3GM30FVE

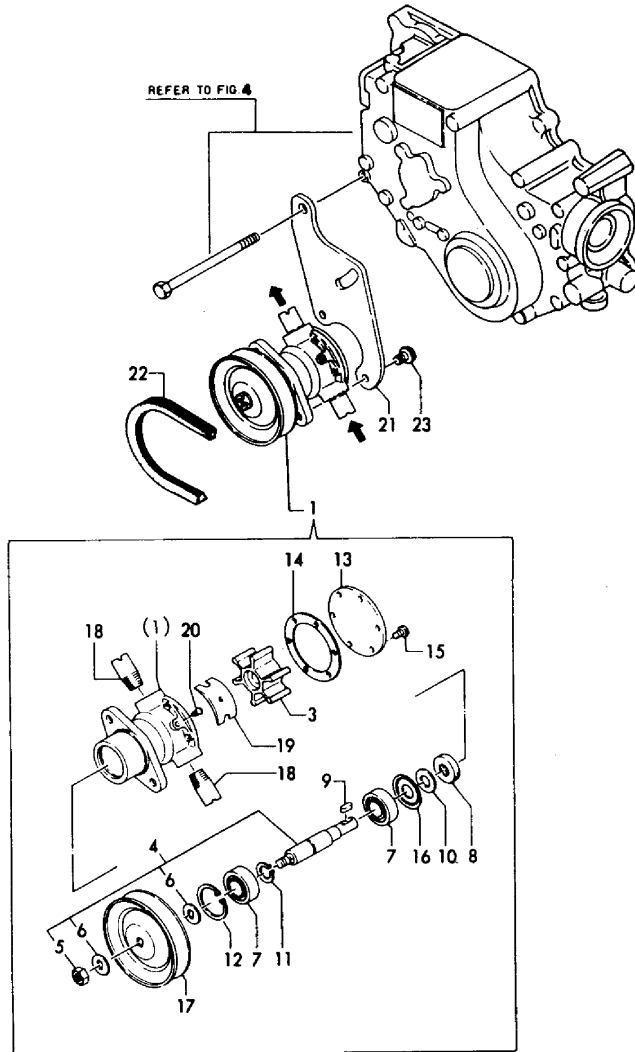
REF.	LEV.	PARTS NO.	DESCRIPTION	Q'TY						I	R
				(A)	(B)	(C)	(D)	(E)	(F)		
1	1	128370-14010	CAMSHAFT			1		1	1		
2	2	121000-14550	PLUG			1		1	1		
3	1	121575-14090	CAM, FUEL			1		1	1		
4	1	129350-14100	GEAR, CAMSHAFT			1		1	1		
5	1	128170-14150	NUT, CAM			1		1	1		
6	1	104200-14200	TAPPET			6		6	6		
7	1	121450-14400	ROD, PUSH			6		6	6		
8	1	22512-070300	KEY 7X 30			1		1	1		
9	1	24101-062054	BEARING #6205			1		1	1		
10	1	26587-080122	SCREW M 8X 12			1		1	1		

Fig.33. COOLING SEA WATER PUMP

(A)=3GM30
(B)=3GM30VE
(C)=3GM30B

(D)=3GM30C
(E)=3GM30F
(F)=3GM30FVE

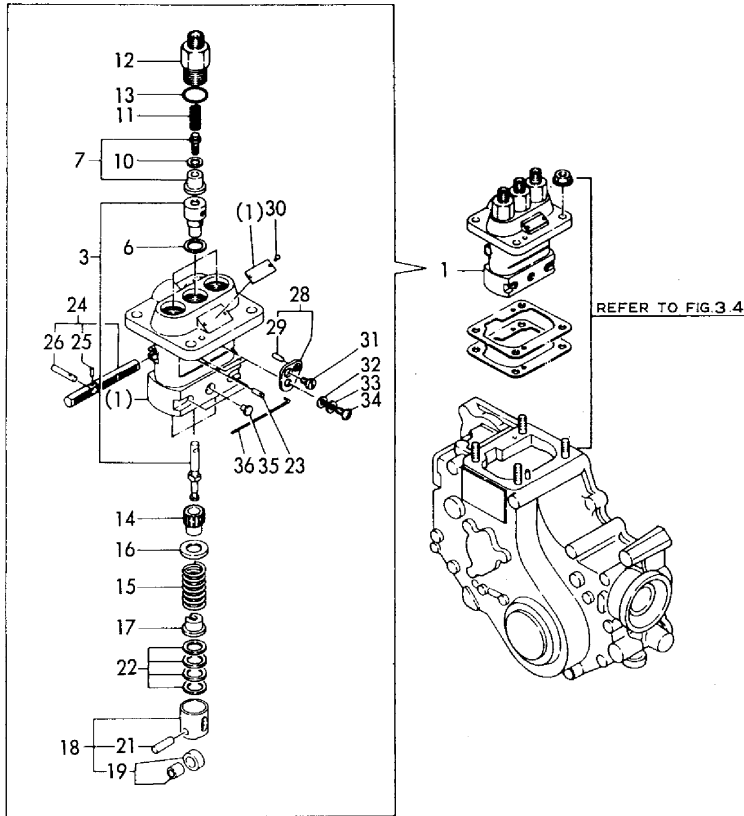
Fig. 33 冷却水ポンプ(海水)
COOLING SEA WATER PUMP



REF.	LEV.	PARTS NO.	DESCRIPTION	Q'TY						I	R
				(A)	(B)	(C)	(D)	(E)	(F)		
1	1	121575-42000	PUMP ASSY, C.S.W.					1	1		
3	2	124223-42091	IMPELLER, C. WATER					1	1		
4	2	121575-42020	SHAFT, IMPELLER					1	1		
5	3	26347-080002	U-NUT M 8					1	1		
6	3	124070-42420	WASHER					2	2		
7	2	24107-062024	BALL BEARING					2	2		
8	2	124223-42080	SEAL TC13 28 7, OIL					1	1		
9	2	124223-42040	KEY					1	1		
10	2	124223-42070	PIECE					1	1		
11	2	22242-000150	CIRCLIP 15					1	1		
12	2	22252-000350	CIRCLIP 35					1	1		
13	2	121575-42150	COVER					1	1		
14	2	124223-42110	GASKET					1	1		
15	2	26554-040082	SCREW M 4X 8					6	6		
16	2	121575-42120	COVER					1	1		
17	2	124070-42400	V-PULLEY, C.W. PUMP					1	1		
18	2	121575-49300	JOINT PT 3/8					2	2		
19	2	124323-42100	CAM, IMPELLER					1	1		
20	2	26554-040102	SCREW M 4X 10					1	1		
21	1	128270-42150	BRACKET, C.W. PUMP					1	1		
22	1	104511-78780	V-BELT					1	1		
23	1	26106-080122	BOLT M 8X 12 PLATED					2	2		

Fig.43. FUEL INJECTION PUMP

Fig. **43** 燃料噴射ポンプ
FUEL INJECTION PUMP



OCF10-G50602 43. FUEL INJECTION PUMP

(A)=3GM30
(B)=3GM30VE
(C)=3GM30B

(D)=3GM30C
(E)=3GM30F
(F)=3GM30FVE

REF.	LEV.	PARTS NO.	DESCRIPTION	QTY						I	R
				(A)	(B)	(C)	(D)	(E)	(F)		
1	1	728374-51100	PUMP ASSY. F.INJECT.	1	1	1	1				
I 1-1	1	728374-51101 (A=E13959)	PUMP ASSY. F.INJECT. (C=E00394) (D=E01583)	1	1	1	1	1	1	1	N
3	2	128170-51101	PLUNGER W/BARREL	3	3	3	3	3	3		
6	2	124950-51270	GASKET	3	3	3	3	3	3		
7	2	128170-51300	VALVE W/SEAT, DELIV.	3		3	3	3			
I 7-1	2	105500-51300 (A=E13959)	VALVE W/SEAT, DELIV. (C=E00394) (D=E01583)	3	3	3	3	3	3	3	N
10	2	124550-51350	GASKET, DELIVERY	3	3	3	3	3	3		
11	2	124550-51320	SPRING, DELIV. VALVE	3	3	3	3	3	3		
12	2	124550-51341	RETAINER	3	3	3	3	3	3		
13	2	124550-51370	O-RING, DELIVERY	3	3	3	3	3	3		
14	2	124950-51510	PINION	3	3	3	3	3	3		
15	2	124950-51190	SPRING, PLUNGER	3	3	3	3	3	3		
16	2	174307-51170	RETAINER A	3	3	3	3	3	3		
17	2	174307-51181	RETAINER B	3	3	3	3	3	3		
18	2	124550-51200	TAPPET	3	3	3	3	3	3		
19	3	111100-51220	ROLLER	3	3	3	3	3	3		
21	3	174100-54120	PIN, ROLLER	3	3	3	3	3	3		
22	2	174307-51700	SHIM SET	3	3	3	3	3	3		
23	2	103854-51251	PIN, PLUNGER	1	1	1	1	1	1		
24	2	121450-51500	RACK, CONTROL	1	1	1	1	1	1		
25	3	121450-51550	PIN	1	1	1	1	1	1		
26	3	124550-51590	LOCKER	1	1	1	1	1	1		
28	2	124950-51640	SHIM SET, CONTROL	2	2	2	2	2	2		
29	3	124950-51670	PIN	2	2	2	2	2	2		
30	2	124220-51890	RIVET, LABEL	2	2	2	2	2	2		
31	2	103854-51660	SCREW	2	2	2	2	2	2		
I 32	2	22117-050000 (A=E0000)	WASHER 5 (C=E0000) (D=E0000) (E=E0000)	2	2	2	2	2	2		Z
I 33	2	22217-050000 (A=E0000)	SPRING WASHER 5 (C=E0000) (D=E0000) (E=E0000)	2	2	2	2	2	2		Z
34	2	26587-050102	SCREW M 5X 10	2	2	2	2	2	2		
I 34-1	2	26033-050102 (A=E0000)	SCREW M 5X 10 (C=E0000) (D=E0000) (E=E0000)	2	2	2	2	2	2	2	N
35	2	124950-51450	PIECE, GUIDE	3	3	3	3	3	3		
36	2	121150-51460	PIN	1	1	1	1	1	1		

CLICK HERE TO **DOWNLOAD** THE COMPLETE MANUAL

- Thank you very much for reading the preview of the manual.
- You can download the complete manual from: www.heydownloads.com by clicking the link below

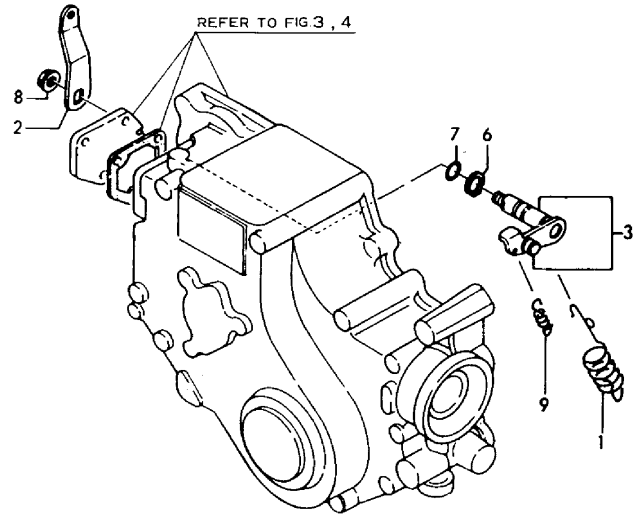


- Please note: If there is no response to CLICKING the link, please download this PDF first and then click on it.

CLICK HERE TO **DOWNLOAD** THE COMPLETE MANUAL

Fig.53. CONTROL DEVICE

Fig.53 操縦装置
CONTROL DEVICE



OCF10-G50602 53. CONTROL DEVICE

(A)=3GM30
(B)=3GM30VE
(C)=3GM30B

(D)=3GM30C
(E)=3GM30F
(F)=3GM30FVE

REF.	LEV.	PARTS NO.	DESCRIPTION	Q'TY						I	R
				(A)	(B)	(C)	(D)	(E)	(F)		
1	1	128270-66010	SPRING, REGULATOR	1	1	1	1	1	1		
2	1	121575-66051	HANDLE, REGULATOR	1	1	1	1	1	1		
3	1	121000-66090	LEVER ASSY, REGULAT	1	1	1	1	1	1		
6	1	22242-000120	CIRCLIP 12	1	1	1	1	1	1		
7	1	24311-000090	O-RING 1A P-9.0	1	1	1	1	1	1		
8	1	26366-080002	NUT M 8	1	1	1	1	1	1		
9	1	121575-66200	SPRING, REGULATOR	1	1	1	1	1	1		

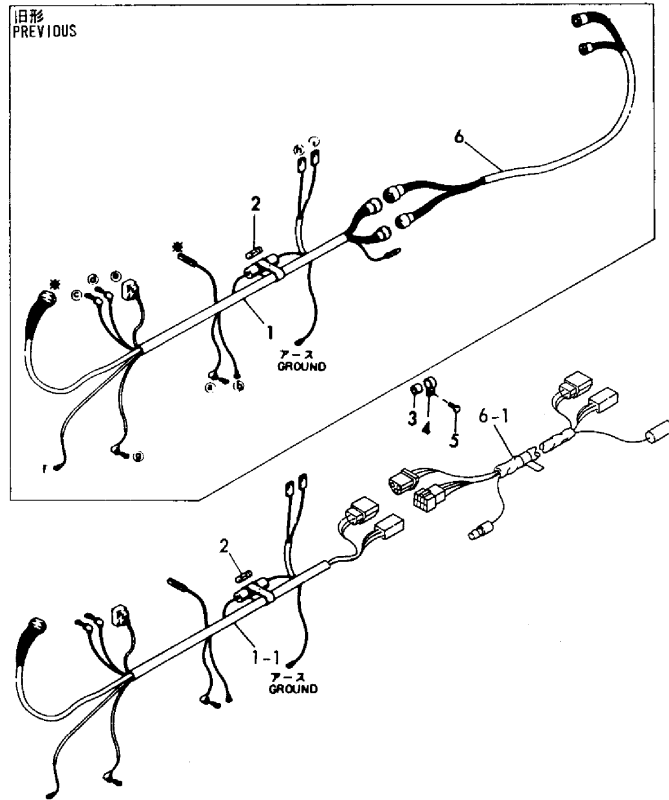
Fig.63. WIRE HARNESS

OCF10-G50602 63. WIRE HARNESS

(A)=3GM30
(B)=3GM30VE
(C)=3GM30B

(D)=3GM30C
(E)=3GM30F
(F)=3GM30FVE

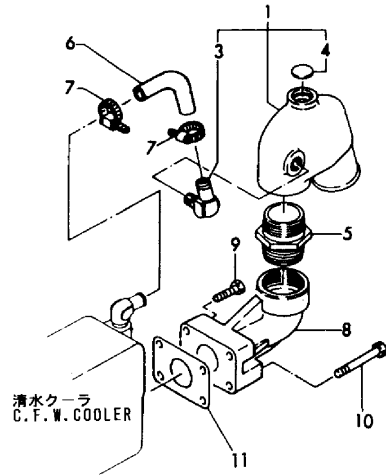
Fig.63 ワイヤハーネス
WIRE HARNESS



REF.	LEV.	PARTS NO.	DESCRIPTION	Q'TY						I	R
				(A)	(B)	(C)	(D)	(E)	(F)		
1	1	128270-77921	HARNESS, WIRE	1	1	1	1				
I	1-1	128271-77920 (A=E14020)	HARNESS, WIRE (C=E00396) (D=E01583)	1	1	1	1				S
I	1-2	128271-77921 (A=E14187)	HARNESS, WIRE (C=E00396) (D=E01643)	1	1	1	1	1	1	1	N
2	2	46150-003680	FUSE 30A	1	1	1	1	1	1		
3	1	124770-77940	PROTECTOR	1	1	1	1	1	1		
4	1	124070-77950	CLAMP	1	1	1	1	1	1		
5	1	26106-080142	BOLT M 8X 14 PLATED	1	1	1	1	1	1		
6	1	128170-77500	HARNESS, WIRE	1		1	1	1			
I	6-1	128391-77700 (A=E14020)	HARNESS, WIRE(3M) (C=E00396) (D=E01583)	1	1	1	1	1	1	1	S

Fig.73. MIXING ELBOW(OPTIONAL)

Fig.73 ミキシングエルボ(オプション)
MIXING ELBOW(OPTIONAL)



OCF10-G50602 73. MIXING ELBOW(OPTIONAL)

(A)=3GM30
(B)=3GM30VE
(C)=3GM30B

(D)=3GM30C
(E)=3GM30F
(F)=3GM30FVE

REF.	LEV.	PARTS NO.	DESCRIPTION	Q'TY						I	R	
				(A)	(B)	(C)	(D)	(E)	(F)			
1	1	124070-13520	ELBOW, MIXING					1			1	
3	2	124070-13300	ELBOW (PT3/8)					1			1	
4	2	27233-250000	PLUG 25					1			1	
5	1	104214-13580	JOINT					1			1	
6	1	128690-49250	PIPE, COOLING WATER					1			1	
7	1	23000-025000	CLAMP 25					2			2	
8	1	128370-13610	ELBOW, EXHAUST					1			1	
9	1	26203-080402	BOLT M 8X 40					2			2	
10	1	26203-080602	BOLT M 8X 60					2			2	
11	1	128370-13200	GASKET					1				W
I 11-1	1	128370-13201	GASKET, (NON-ASB.)			(E=FROM 1ST)		1			1	N
						(E=E11515)						

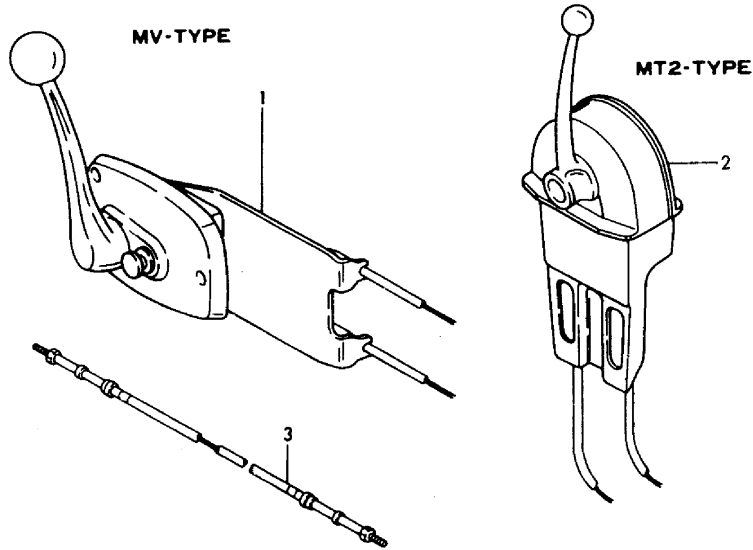
Fig.83. SINGLE LEVER CONTROL(OPTIONAL)

OCF10-G50602 83. SINGLE LEVER CONTROL(OPTIONAL)

(A)=3GM30
(B)=3GM30VE
(C)=3GM30B

(D)=3GM30C
(E)=3GM30F
(F)=3GM30FVE

Fig. **83** シングルレバーコントロール(オプション)
SINGLE LEVER CONTROL(OPTIONAL)



REF.	LEV.	PARTS NO.	DESCRIPTION	Q'TY						I	R
				(A)	(B)	(C)	(D)	(E)	(F)		
1	1	128170-86500	MOUNT	1	1	1	1	1	1		
2	1	196311-34250	HEAD, REMOTE-CONTROL	1		1	1	1			
2-1	1	41730-000680	HEAD, REMOTE-CONTROL	1	1	1	1	1	1	1	S
3	1	41710-000380	CABLE L=4000	2	2	2	2	2	2		

Fig.93. INPUT SHAFT & SUPPORT SHAFT

(A)=KM3A

(B)=

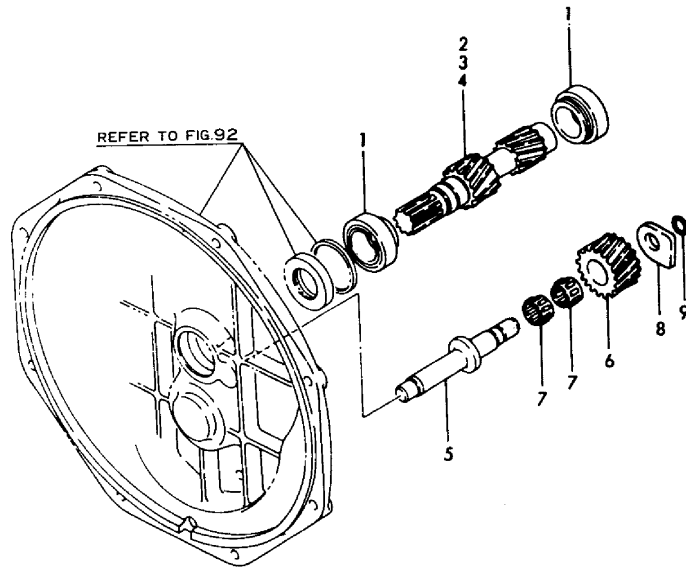
(C)=

(D)=

(E)=

(F)=

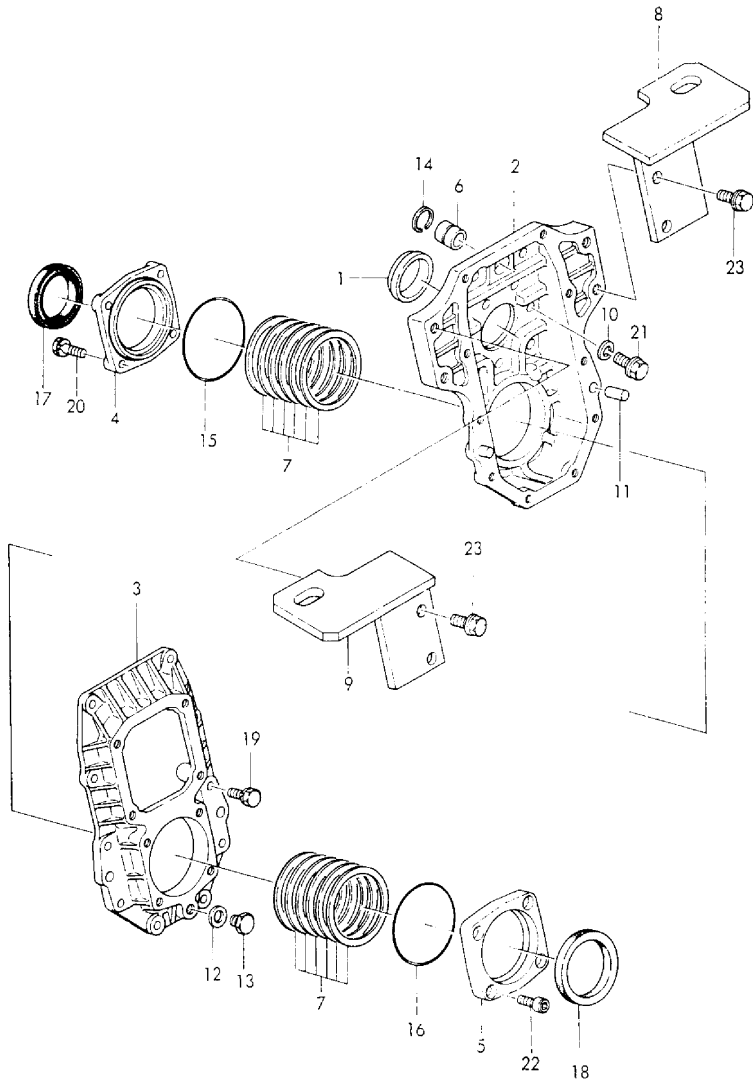
Fig. 93 インプットシャフト & サポートシャフト
INPUT SHAFT & SUPPORT SHAFT



REF.	LEV.	PARTS NO.	DESCRIPTION	Q'TY						I	R
				(A)	(B)	(C)	(D)	(E)	(F)		
1	1	177088-03400	ROLLER BERING	2							
2	1	177070-03030	SHAFT, INPUT	1							
3	1	177070-03010	SHAFT, INPUT	1							
4	1	177070-03020	SHAFT, INPUT	1							
5	1	177070-03301	SHAFT, REVERSE IDLE	1							
6	1	177088-03311	GEAR (Z=26), IDLE	1							
7	1	177088-03331	NEEDLE BERG.#K162213	2							
8	1	177088-03341	WASHER, THRUST	1							
9	1	24341-000120	O-RING 1A S-12.0	1							

Fig.103. V-DRIVE HOUSING

Fig. **103** Vドライブケース
V-DRIVE HOUSING



(A)=KM3V

(B)=

(C)=

(D)=

(E)=

(F)=

REF.	LEV.	PARTS NO.	DESCRIPTION	Q'TY						I	R
				(A)	(B)	(C)	(D)	(E)	(F)		
1	1	177070-02680	BUSH	1							
2	1	177070-02801	HOUSING(A), V-DRIVE	1							
3	1	177070-02811	HOUSING(B), V-DRIVE	1							
4	1	177070-02820	COVER(A)	1							
5	1	177070-02830	COVER(B)	1							
6	1	177070-02840	PARALLEL PIN	1							
7	1	177070-02850	SHIM SET	2							
8	1	177070-02900	BRACKET(R)	1							
9	1	177070-02910	BRACKET(L)	1							
10	1	22287-100000	WASHER 10	8							
11	1	22312-100160	PARALLEL PIN 10X16	2							
12	1	23414-100000	GASKET 10, ROUND	1							
13	1	23887-100002	PLUG 10	1							
14	1	24164-000202	CIRCLIP 20-S	1							
15	1	24341-000750	O-RING 1A S-75.0	1							
16	1	24341-000750	O-RING 1A S-75.0	1							
17	1	24421-456209	SEAL TC 456209, OIL	1							
18	1	24421-557209	SEAL TC55 72 09, OIL	1							
19	1	26016-080252	BOLT M 8X 25	10							
20	1	26016-080252	BOLT M 8X 25	4							
21	1	26106-100252	BOLT M10X 25 PLATED	8							
22	1	26450-080202	BOLT M 8X 20	4							
23	1	26106-100252	BOLT M10X 25 PLATED	4							

CLICK HERE TO **DOWNLOAD** THE COMPLETE MANUAL

- Thank you very much for reading the preview of the manual.
- You can download the complete manual from: www.heydownloads.com by clicking the link below



- Please note: If there is no response to CLICKING the link, please download this PDF first and then click on it.

CLICK HERE TO **DOWNLOAD** THE COMPLETE MANUAL