

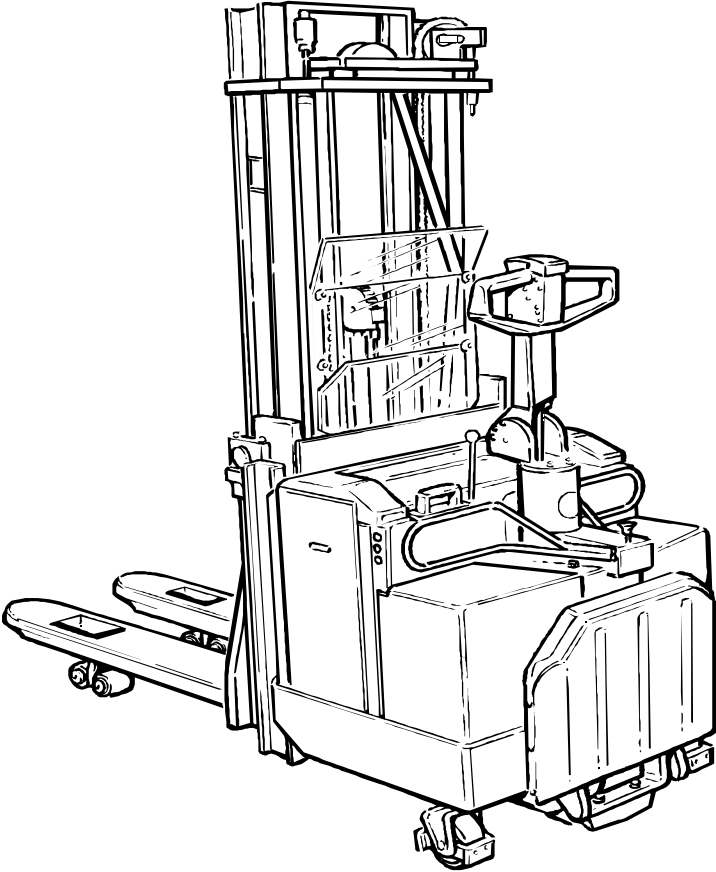
TOYOTA

Powered Pallet Stacker SLL 12.5F / SLL 16F

Valid for machine number: 579679 AT-

Only valid for machine number:

--	--	--	--	--	--	--



Spare Parts Catalogue

Ordering number214077

Date2003-05-21 / ESID

CLICK HERE TO **DOWNLOAD** THE COMPLETE MANUAL

- Thank you very much for reading the preview of the manual.
- You can download the complete manual from: www.heydownloads.com by clicking the link below



- Please note: If there is no response to CLICKING the link, please download this PDF first and then click on it.

CLICK HERE TO **DOWNLOAD** THE COMPLETE MANUAL

0340-00110 Inspection covers

[2001-05-07]

Huvur, luckor; Hauben, Abdeckungen; Capots, couvercles;

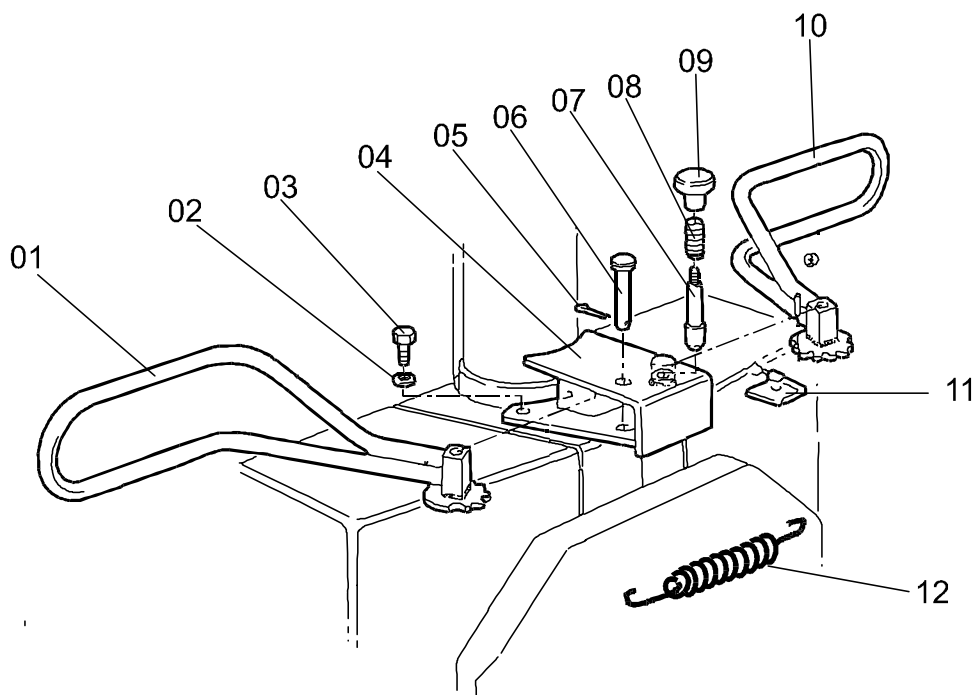
Pos	Description	Pcs	Part No	Note
			696 SLL 12.5F 697 SLL 16F	413816 - 413816 -
08	Dust guard Damask; Gamaschen; Dispositif de protection	1	112004	
09	Cover(Left) Huv(Vänster); Haube(Links); Capot(Gauge)	1	167813-031	
10	Cover(Right) Huv(Höger); Haube(Recht); Capot(Droit)	1	167814-031	
11	Screw Skruv; Schraube; Vis	2	27564	
12	Housing Kåpa; Haus; Chape	1	167810	
13	Screw Skruv; Schraube; Vis	4	28474	
14	Nut Mutter; Mutter; Erou	2	127035-004	
15	Cover.(Battery compartment + 100 mm) Lucka(Batteriutrymme + 100 mm); Deckel(Batteriraum +100 mm); Couvercle(Compartiment de batterie + 100 mm)	1	165265-031	
15	Cover. Lucka; Deckel; Couvercle	1	165279-031	
16	Instrument panel Instrumentpanel; Instrumentpaneel; Panneau des instrument	1	167817	
17	Screw Skruv; Schraube; Vis	11	28474	
18	Plate(Battery compartment + 100 mm) Plåt(Batteriutrymme + 100 mm); Platte(Batteriraum +100 mm); Plaque(Compartiment de batterie + 100 mm)	1	134771	
19	Battery door Batterilucka; Batterietür; Porte de batterie	1	127080	
19	Battery door(Machine width 790 mm) Batterilucka(Maskinbredd 790 mm); Batterietür(Breite der Maschine 790 mm); Porte de batterie(Largeur de machine 790 mm)	1	153081	

0450-00020 Motor fixing points

[2003-04-30]

Motorupphängning/-fästen; Motoraufhängung/Halterung; Points de fixation moteur;

Pos	Description	Pcs	Part No	Note
			696 SLL 12.5F 697 SLL 16F	413816 - 413816 -
01	Screw Skruv; Schraube; Vis	1	28750	
03	Plate Plåt; Platte; Plaque	1	132844	
04	Spring unit(Complete) Fjäderenhet(Komplett); Federeinheit(Komplett); Unite de ressort(Compleat)	2	130367	lincreased drive wheel pres- sure Förhöjd drivhjulstryck; Erhöhter Antriebs- raddruck; Pression accrue de roue d'entraînement
04	Spring unit(Complete) Fjäderenhet(Komplett); Federeinheit(Komplett); Unite de ressort(Compleat)	2	132918	Standard design Standardutförande; Normalausrüstung; Standard
05	Washer(0,5 mm) Bricka; Scheibe; Rondelle		121334-001	
05	Washer(1 mm) Bricka; Scheibe; Rondelle		121334-002	
05	Washer(2 mm) Bricka; Scheibe; Rondelle		121334-003	
06	Torsion tube Vridrör; Drehrohr; Levier de triangle	1	132676-002	
07	Bush Bussning; Bague; Bague	2	140175	
08	Washer Bricka; Scheibe; Rondelle	2	23604	
09	Screw Skruv; Schraube; Vis	2	109317	
10	Screw Skruv; Schraube; Vis	2	109586	
11	Washer(2 mm) Bricka; Scheibe; Rondelle	2	121334-003	
12	Bush Bussning; Bague; Bague	2	140173	
13	Locking pin Spännstift; Spannstift; Goupille	4	20014	
14	Washer Bricka; Scheibe; Rondelle	4	20013	
15	Link Länk; Gelenk; Bras	2	109319	
16	Bush Bussning; Bague; Bague	2	140173	
17	Motor bracket Motorfäste; Motorhalterung; Moteur de Support	1	101151	
18	Screw Skruv; Schraube; Vis	1	27813	
19	Guide pin Styrtapp; Führungstift; Goupille de guidage	1	130369	
20	Pipe Rör; Rohr; Tube	1	130368	
21	Spring Fjäder; Feder; Ressort	2	132662	lincreased drive wheel pres- sure Förhöjd drivhjulstryck; Erhöhter Antriebs- raddruck; Pression accrue de roue d'entraînement
21	Spring Fjäder; Feder; Ressort	2	132663	Standard design Standardutförande; Normalausrüstung; Standard
22	Guide pin Styrtapp; Führungstift; Goupille de guidage	1	130370	



0840-00021 Driver protection

Förarskydd; Fahrerschutz; Protection de cariste;

[2003-04-30]

Pos	Description	Pcs	Part No	Note
			696 SLL 12.5F 697 SLL 16F	413816 - 413816 -
01	Gate(Left) Grind(Vänster); Schranke(Links); Barrière(Gauche)	1	127043	
02	Washer Bricka; Scheibe; Rondelle	2	21394	
03	Screw Skruv; Schraube; Vis	2	21816	
04	Consol Konsol; Konsole; Console	1	152313	
05	Split pin Håmålssprint; Splint; Goupiller	2	179801	
06	Pin Tapp; Zapfen; Pivot	2	28477	
07	Lock plunger Låskolv; Schlossriegel; Fermeture	1	127052	
08	Spring Fjäder; Feder; Ressort	1	24055	
09	Knob Knopp; Knopf; Bouton	1	127053-002	
10	Gate(Right) Grind(Höger); Schranke(Recht); Barrière(Droit)	1	127044	
11	Clamp Klamma; Rohrschelle; Collier	2	127523	
12	Spring Fjäder; Feder; Ressort	1	29954	

2550-00042 Mechanical drive gear unit

[2003-04-30]

Drivaggregat/-växel; Antriebsaggregat/-getriebe; Groupe de traction, réducteur;

Pos	Description	Pcs	Part No	Note
			696 SLL 12.5F 697 SLL 16F	413816 - 413816 -
01	Driving gear compl. Drivväxel kompl.; Antriebsatz kompl.; Groupe de entraînement compl.	1	170540	
11	Dip stick Oljesticka; Ölmesstab; Jauge d'huile	1	135915	
12	Washer Bricka; Scheibe; Rondelle	1	28998	
13	Shim(0,05mm) Shims; Schim; Cale		27220	
13	Shim(0,1mm) Shims; Schim; Cale		27221	
13	Shim(0,2mm) Shims; Schim; Cale		27222	
13	Shim(0,3mm) Shims; Schim; Cale		27223	
13	Shim(0,5mm) Shims; Schim; Cale		27224	
13	Shim(1 mm) Shims; Schim; Cale		27225	
14	Screw Skruv; Schraube; Vis	4	21141	
15	Shim(0,05mm) Shims; Schim; Cale		27232	
15	Shim(0,1mm) Shims; Schim; Cale		27233	
15	Shim(0,2mm) Shims; Schim; Cale		27234	
15	Shim(0,3mm) Shims; Schim; Cale		27235	
15	Shim(0,5 mm) Shims; Schim; Cale		27236	
15	Shim(1 mm) Shims; Schim; Cale		27237	
16	Roller bearing Rullager; Rollenlager; Palier à rouleaux	1	27208	
17	Spare part kit : Bevel gear Reservdelssats : Koniskt kugghjul; Satz : Kegelrad; Jeux : Roue conique à denture droite	1	101092	
18	Nut Mutter; Mutter; Ecrou	1	101098	
19	Washer Bricka; Scheibe; Rondelle	1	23604	
20	Roller bearing Rullager; Rollenlager; Palier à rouleaux	1	27206	
21	Shim(0,05mm) Shims; Schim; Cale		27238	
21	Shim(0,1mm) Shims; Schim; Cale		27239	
21	Shim(0,2mm) Shims; Schim; Cale		27240	
21	Shim(0,3mm) Shims; Schim; Cale		27241	
21	Shim(0,5mm) Shims; Schim; Cale		27242	
21	Shim(1 mm) Shims; Schim; Cale		27243	
22	Screw Skruv; Schraube; Vis	2	28519	
24	Screw Skruv; Schraube; Vis	2	20276	
25	Cap Lock; Deckel; Couvercle	1	127280	

4110-00083 Steering arm / wheel / lever

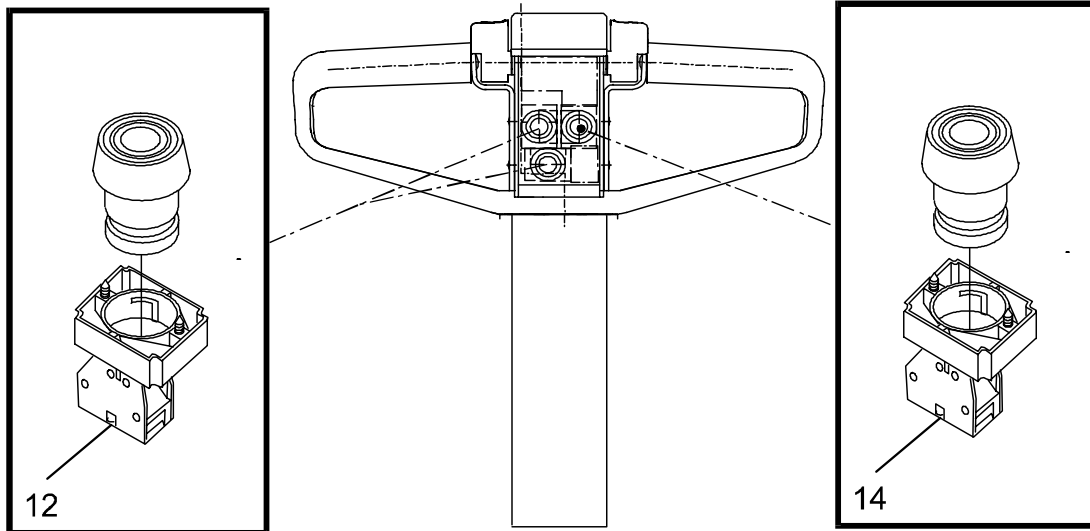
[2003-04-30]

Styr- arm/ratt/spak; Deichsel, Lenkrad-hebel; Timon/volant/levier de direction;

Machine with driver platform; Maskin med förarplattform; Maschine mit Fahrerplattform; Machine avec plateforme du conducteur		696 SLL 12.5F 697 SLL 16F	413816 - 413816 -	
Pos	Description	Pcs	Part No	Note
01	Cap Lock; Deckel; Couvercle	1	142974	Cold stores Fryshus; Gefrieranlage; Chambre frigorifique
02	Cap Lock; Deckel; Couvercle	1	142251	
03	Screw Skruv; Schraube; Vis	8	28545	
04	Screw Skruv; Schraube; Vis	2	24470	
05	Nut Mutter; Mutter; Ecrou	2	25437	
06	Handle Handtag; Handgriff; Poignée.	1	141846	
07	Nut Mutter; Mutter; Ecrou	2	20016	
08	Washer Bricka; Scheibe; Rondelle	2	20404	
09	Guide Genomföring; Durchführung; Guide	1	21957	
10	Screw Skruv; Schraube; Vis	4	28545	Cold stores Fryshus; Gefrieranlage; Chambre frigorifique
11	Heater(With wiring harness) Värmare(Med kablage); Heizer(Mit Kabelsatz); Calorie(Avec Câblage)	1	153396	
12	Cap Lock; Deckel; Couvercle	1	142250	
13	Screw Skruv; Schraube; Vis	2	20276	
14	Cap Lock; Deckel; Couvercle	1	141816	
15	Locking pin Spännstift; Spannstift; Goupille	1	22128	
16	Axle Axel; Achse; Axe	1	101202	
17	Screw Skruv; Schraube; Vis	1	28338	
18	Nut Mutter; Mutter; Ecrou	2	20130	
19	Washer Bricka; Scheibe; Rondelle	2	21393	
20	Stud screw Pinnskruv; Stiftschraube; Prisonnier	3	142817-001	240 Ah
20	Stud screw Pinnskruv; Stiftschraube; Prisonnier	3	142817-003	320 Ah
20	Stud screw Pinnskruv; Stiftschraube; Prisonnier	3	142817-004	280 Ah
21	Washer Bricka; Scheibe; Rondelle	1	21393	
22	Nut Mutter; Mutter; Ecrou	1	20130	
23	Distance pipe Distansrör; Abstandsrohr; Tube entretoise	1	118571-002	240 Ah
23	Distance pipe Distansrör; Abstandsrohr; Tube entretoise	1	142797-003	320 Ah
23	Distance pipe Distansrör; Abstandsrohr; Tube entretoise	1	142797-004	280 Ah
24	Guide Genomföring; Durchführung; Guide	1	130184	
26	Bracket Fäste; Halterung; Support	1	126829	

5510-00031

P0007810



5510-00031 Work function micro switches, potentiometers

[2003-04-30]

Arbeitsfunktionsbrytare/-potentiometer; Schalter/Potentiometer Arbeitsfunktion; Rupteurs (switches)/potentiomètres;

Cold stores; Fryshus; Gefrieranlage; Chambre frigorifique			696 SLL 12.5F 697 SLL 16F	413816 - 413816 -
Pos	Description	Pcs	Part No	Note
12	Contact device Kontaktblock; Kontakteinheit; Unite de contact	2	25624	
14	Contact device Kontaktblock; Kontakteinheit; Unite de contact	1	25624	

CLICK HERE TO **DOWNLOAD** THE COMPLETE MANUAL

- Thank you very much for reading the preview of the manual.
- You can download the complete manual from: www.heydownloads.com by clicking the link below



- Please note: If there is no response to CLICKING the link, please download this PDF first and then click on it.

CLICK HERE TO **DOWNLOAD** THE COMPLETE MANUAL

6320-00004 Mast hydraulic lines

[2003-04-30]

Stativhydraulledningar; Hydraulikleitungen Hubeinrichtung; Circuits hydrauliques mât;

Triplex Hi-Lo			696 SLL 12.5F	413816 -
Pos	Description	Pcs	Part No	Note
11	Hose Slang; Schlauch; Tuyau flexible	1	140471-335	Lift height = 3350 mm Lyfthöjd = 3350 mm; Hubhöhe = 3350 mm; Hauteur d'élévation = 3350 mm
11	Hose Slang; Schlauch; Tuyau flexible	1	140471-375	Lift height = 3750 mm Lyfthöjd = 3750 mm; Hubhöhe = 3750 mm; Hauteur d'élévation = 3750 mm
11	Hose Slang; Schlauch; Tuyau flexible	1	140471-415	Liftheigt = 4150 mm Lyfthöjd = 4150 mm; Hubhöhe = 4150 mm; Hauteur d'élévation = 4150 mm
11	Hose Slang; Schlauch; Tuyau flexible	1	140471-480	Liftheight = 4800 mm Lyfthöjd = 4800 mm; Hubhöhe = 4800 mm; Hauteur de levee = 4800 mm
11	Hose Slang; Schlauch; Tuyau flexible	1	140471-540	Lift height = 5400 mm Lyfthöjd = 5400 mm; Hubhöhe = 5400 mm; Hauteur de levee = 5400 mm
12	Reducer Reducering; Reduzierung; Réduction	1	26273	
13	Connector unit Kopplingsstycke; Kupplungsstück; Raccordement	1	101292	
14	Pipe Rör; Rohr; Tube	1	140472	
15	Connection Koppling; Kupplung; Raccord	1	28801	
16	Connection Koppling; Kupplung; Raccord	1	28947	
17	Connection Koppling; Kupplung; Raccord	1	28781	
18	Pipe Rör; Rohr; Tube	1	139118	
19	Connection Koppling; Kupplung; Raccord	1	29532	
20	Connection Koppling; Kupplung; Raccord	1	28797	
21	Consol Konsol; Konsole; Console	1	139089	
22	Screw Skruv; Schraube; Vis	2	22337	
23	Washer Bricka; Scheibe; Rondelle	2	21393	
24	Pipe Rör; Rohr; Tube	1	140472	
25	Clamp Klamma; Rohrschelle; Collier	1	140643	
26	Connection Koppling; Kupplung; Raccord	2	21994	
27	Hose(Meter) Slang(Meter); Schlauch(Meter); Tuyau flexible(Metre)		28108	
28	Restriction valve Sänkbromsventil; Drosselventil; Soupape de reduction	1	29671	
29	Connection Koppling; Kupplung; Raccord	1	29532	
30	Connection Koppling; Kupplung; Raccord	1	28801	
31	Connection Koppling; Kupplung; Raccord	2	28781	
32	Connection Koppling; Kupplung; Raccord	1	29776	
33	Roller(Complete) Rulle(Komplett); Rolle(Komplett); Roleau(Compleat)	5	139124	
34	Bush Bussning; Bague; Bague	5	126883-001	

6620-00003 Free lift cylinder

[2003-04-30]

Frilyftscylinder; Freihubzylinder; Vérin de levée libre;

Duplex HiLo		697 SLL 16F	413816 -	
Pos	Description	Pcs	Part No	Note
01	Cylinder compl.(L = 775 mm) Cylinder kompl.; Zylinder kompl.; Verin compl.	1	152729-235	Lift height = 2350 mm Lyfthöjd = 2350 mm; Hubhöhe = 2350 mm; Hauteur d'élévation = 2350 mm
01	Cylinder compl.(L = 912 mm) Cylinder kompl.; Zylinder kompl.; Verin compl.	1	152729-290	Lift height = 2900 mm Lyfthöjd = 2900 mm; Hubhöhe = 2900 mm; Hauteur d'élévation = 2900 mm
01	Cylinder compl.(L = 1025 mm) Cylinder kompl.; Zylinder kompl.; Verin compl.	1	152729-335	Lift height = 3350 mm Lyfthöjd = 3350 mm; Hubhöhe = 3350 mm; Hauteur d'élévation = 3350 mm
01	Cylinder compl.(L = 1125 mm) Cylinder kompl.; Zylinder kompl.; Verin compl.	1	152729-375	Lift height = 3750 mm Lyfthöjd = 3750 mm; Hubhöhe = 3750 mm; Hauteur d'élévation = 3750 mm
01	Cylinder compl.(L = 1225 mm) Cylinder kompl.; Zylinder kompl.; Verin compl.	1	152729-415	Lift height = 4150 mm Lyfthöjd = 4150 mm; Hubhöhe = 4150 mm; Hauteur d'élévation = 4150 mm
02	Packing set Packningssats; Packungssatz; Jeux d'étanchéité.	1	152988	
03	Cylinder pipe Cylinderrör; Zylinderrohr; Tube de cylindre	1	152990-235	
03	Cylinder pipe Cylinderrör; Zylinderrohr; Tube de cylindre	1	152990-290	
03	Cylinder pipe Cylinderrör; Zylinderrohr; Tube de cylindre	1	152990-335	
03	Cylinder pipe Cylinderrör; Zylinderrohr; Tube de cylindre	1	152990-375	
03	Cylinder pipe Cylinderrör; Zylinderrohr; Tube de cylindre	1	152990-415	
04	Piston Kolv; Kolben; Piston	1	152989	
05	Piston rod Kolvstång; Kolbenstange; Tige de piston	1	139988-235	
05	Piston rod Kolvstång; Kolbenstange; Tige de piston	1	139988-290	
05	Piston rod Kolvstång; Kolbenstange; Tige de piston	1	139988-335	
05	Piston rod Kolvstång; Kolbenstange; Tige de piston	1	139988-375	
05	Piston rod Kolvstång; Kolbenstange; Tige de piston	1	139988-415	
13	Cylinder top Cylindertopp; Zylinderkopf; Culasse	1	152991	
17	Locking ring Spårring; Schliessring; Circlip	1	20019	
18	Valve Ventil; Ventil; Soupape	1	27182	
19	Air bleeder Luftventil; Luftnippel; Soupape (air)	1	24325	
20	Screw Skruv; Schraube; Vis	2	20996	

7100-00029 Main mast

[2003-04-30]

Huvudstativ/-mast; Haupthubgerüst/-mast; Mât principal;

Triplex Hi - Lo		697 SLL 16F	413816 -	
Pos	Description	Pcs	Part No	Note
11	Chain wheel(Complete) Kedjehjul(Komplett); Kettenrad(Komplett); Roue de chaine(Comple)	1	176013	
13	Distance piece Distans; Distanz; Distance	2	101237	
17	Roller Rulle; Rolle; Roleau	1	101339	
18	Bush Bussning; Bague; Bague	1	126883-002	
19	Washer Bricka; Scheibe; Rondelle	1	20013	
20	Locking ring Spårring; Schliessring; Circlip	1	20019	
21	Chain wheel(Complete) Kedjehjul(Komplett); Kettenrad(Komplett); Roue de chaine(Comple)	2	176012	
25	Locking ring Spårring; Schliessring; Circlip	2	20076	
26	Distance piece Distans; Distanz; Distance	2	101341	
27	Axle Axel; Achse; Axe	2	137853	
28	Screw Skruv; Schraube; Vis	2	28835	
31	Distance piece(30 x 42 x 0,1) Distans; Distanz; Distance		21881	
31	Distance piece(30 x 42 x 0,2) Distans; Distanz; Distance		21882	
31	Distance piece(30 x 42 x 0,3) Distans; Distanz; Distance		21883	
31	Distance piece(30 x 42 x 0,5) Distans; Distanz; Distance		21884	
31	Distance piece(30 x 42 x 1,0) Distans; Distanz; Distance		21885	
32	Roller(A = 78,2 mm, marked A) Rulle(A = 78,2 mm, märkt A); Rolle(A = 78,2 mm, marke A); Roleau(A = 78,2 mm, marqué A)	4	101423	
32	Roller(A = 78,6 mm, marked B) Rulle(A = 78,6 mm, märkt B); Rolle(A = 78,6 mm, marke B); Roleau(A = 78,6 mm, marqué B)		126011	
32	Roller(A = 78 mm, marked C) Rulle(A = 78 mm, märkt C); Rolle(A = 78 mm, marke C); Roleau(A = 78 mm, marqué C)		127698	
33	Chain wheel(Complete) Kedjehjul(Komplett); Kettenrad(Komplett); Roue de chaine(Comple)	1	176013	
34	Distance piece Distans; Distanz; Distance	2	101237	
39	Wheel fork Hjulgaffel; Radgabel; Fourche de roue	1	139067	
40	Locking pin Spännstift; Spannstift; Goupille	1	21316	
41	Axle Axel; Achse; Axe	1	101298	
42	Washer Bricka; Scheibe; Rondelle	1	20236	
43	Screw Skruv; Schraube; Vis	1	23006	
44	Screw Skruv; Schraube; Vis	1	28708	
45	Washer Bricka; Scheibe; Rondelle	1	126723-006	
46	Chain complete Kedja komplett; Ketten komplett ; Chaine complete	1	177550-335	Lift height = 3350 mm Lyfthöjd = 3350 mm; Hubhöhe = 3350 mm; Hauteur d'élévation = 3350 mm

7420-00042 Forkcarriage unit,integ.sideshift,fork spread

[2003-04-30]

Gaffelvagn med sideshift/gaffelspridning; Gabelwagen/-mit Seitensch/Zinkenverst; Tablier porte-fourches;

		696 SLL 12.5F	413816 -	
Pos	Description	Pcs	Part No	Note
11	Fork carriage(L = 1150 mm, W = 520 mm) Gaffelvagn; Gabelwagen; Chariot porte-fourche	1	159343-112	
11	Fork carriage(L = 1150 mm, W = 570 mm) Gaffelvagn; Gabelwagen; Chariot porte-fourche	1	159343-212	
11	Fork carriage(L = 1150 mm, W = 520 mm) Gaffelvagn; Gabelwagen; Chariot porte-fourche	1	159344-112	
11	Fork carriage(L = 1150 mm, W = 570 mm) Gaffelvagn; Gabelwagen; Chariot porte-fourche	1	159344-212	
11	Fork carriage(L = 1150 mm, W = 520 mm) Gaffelvagn; Gabelwagen; Chariot porte-fourche	1	159345-112	
11	Fork carriage(L = 1150 mm, W = 570 mm) Gaffelvagn; Gabelwagen; Chariot porte-fourche	1	159345-212	
12	Roller(69,95 mm) Rulle; Rolle; Roleau		139126	B = One identification groove B = Ett idifieringsspår; B = Ein identifi- zierung nut; B = 1 identification rainure
12	Roller(70,4 mm) Rulle; Rolle; Roleau		139127	B = 2 identification groove B = 2 identifieringsspår; B = 2 identifi- zierung nut; B = 2 identification rainure
13	Shim(25x35x0,1 mm) Shims; Schim; Cale		26471	Pcs as needed Antal efter behov; Anzhaul nach bedarf; Nombre éligible
13	Shim(25x35x0,3 mm) Shims; Schim; Cale		26472	Pcs as needed Antal efter behov; Anzhaul nach bedarf; Nombre éligible
13	Shim(25x35x0,5 mm) Shims; Schim; Cale		26473	Pcs as needed Antal efter behov; Anzhaul nach bedarf; Nombre éligible
13	Shim(25x35x1 mm) Shims; Schim; Cale		29585	Pcs as needed Antal efter behov; Anzhaul nach bedarf; Nombre éligible

CLICK HERE TO **DOWNLOAD** THE COMPLETE MANUAL

- Thank you very much for reading the preview of the manual.
- You can download the complete manual from: www.heydownloads.com by clicking the link below



- Please note: If there is no response to CLICKING the link, please download this PDF first and then click on it.

CLICK HERE TO **DOWNLOAD** THE COMPLETE MANUAL